



US00D817165S

(12) **United States Design Patent** (10) **Patent No.:** **US D817,165 S**
Ng et al. (45) **Date of Patent:** **** May 8, 2018**

(54) **HANGER NAIL FOR WALL-MOUNTED ARTICLES**

(71) Applicant: **Nielsen & Bainbridge, LLC.,**
Wilmington, DE (US)

(72) Inventors: **Kimkie Ng**, Austin, TX (US); **Patrick Pun**, Austin, TX (US); **Randall Ben Faltsek**, Austin, TX (US); **Jamey Yarnall**, Austin, TX (US); **John Fenno**, Austin, TX (US)

(73) Assignee: **Nielsen & Bainbridge, LLC.,**
Wilmington, DE (US)

(**) Term: **15 Years**

(21) Appl. No.: **29/606,218**

(22) Filed: **Jun. 2, 2017**

(51) **LOC (11) Cl.** **08-08**

(52) **U.S. Cl.**
USPC **D8/391**

(58) **Field of Classification Search**
USPC D8/1, 367, 388, 391, 395, 382, 387, 384,
D8/385, 392; D6/326, 325, 328;
D19/65, 99, 86, 90
CPC F16B 13/00; F16B 13/126; F16B 2021/14;
F16B 33/00; F16B 35/00; F16B 15/00;
E04B 2002/0243; E04B 2002/0245;
A47G 1/20; A47G 1/16; A47G 1/162;
A47G 1/1633; A47G 1/1686; A47G 1/18;
A47G 2001/207; A47G 1/22; Y10S
411/904; Y10S 411/908; B43M 15/00
See application file for complete search history.

(56) **References Cited**

U.S. PATENT DOCUMENTS

795,553 A * 7/1905 Sherman F16B 15/00
36/59 R
895,846 A * 8/1908 Diers F16B 37/14
411/372.5

1,338,154 A * 4/1920 Pipkin E01B 9/06
411/486
3,300,173 A * 1/1967 Kennedy, Jr. A47G 1/22
248/205.3
5,484,126 A * 1/1996 Kitchin B42F 1/08
24/DIG. 10
D464,993 S * 10/2002 Rosen D19/65
D468,357 S * 1/2003 Rosen D19/65
D531,223 S * 10/2006 Lynch D19/65
D629,293 S * 12/2010 Dufour D8/388
D715,859 S * 10/2014 Costas D19/86
9,138,082 B2 * 9/2015 Crescenzo A47G 1/0605
2008/0272257 A1 * 11/2008 Murphy A47G 1/20
248/304

(Continued)

Primary Examiner — Sandra S Snapp

Assistant Examiner — Ieisha N Price

(74) *Attorney, Agent, or Firm* — Egan Peterman Enders
Huston

(57) **CLAIM**

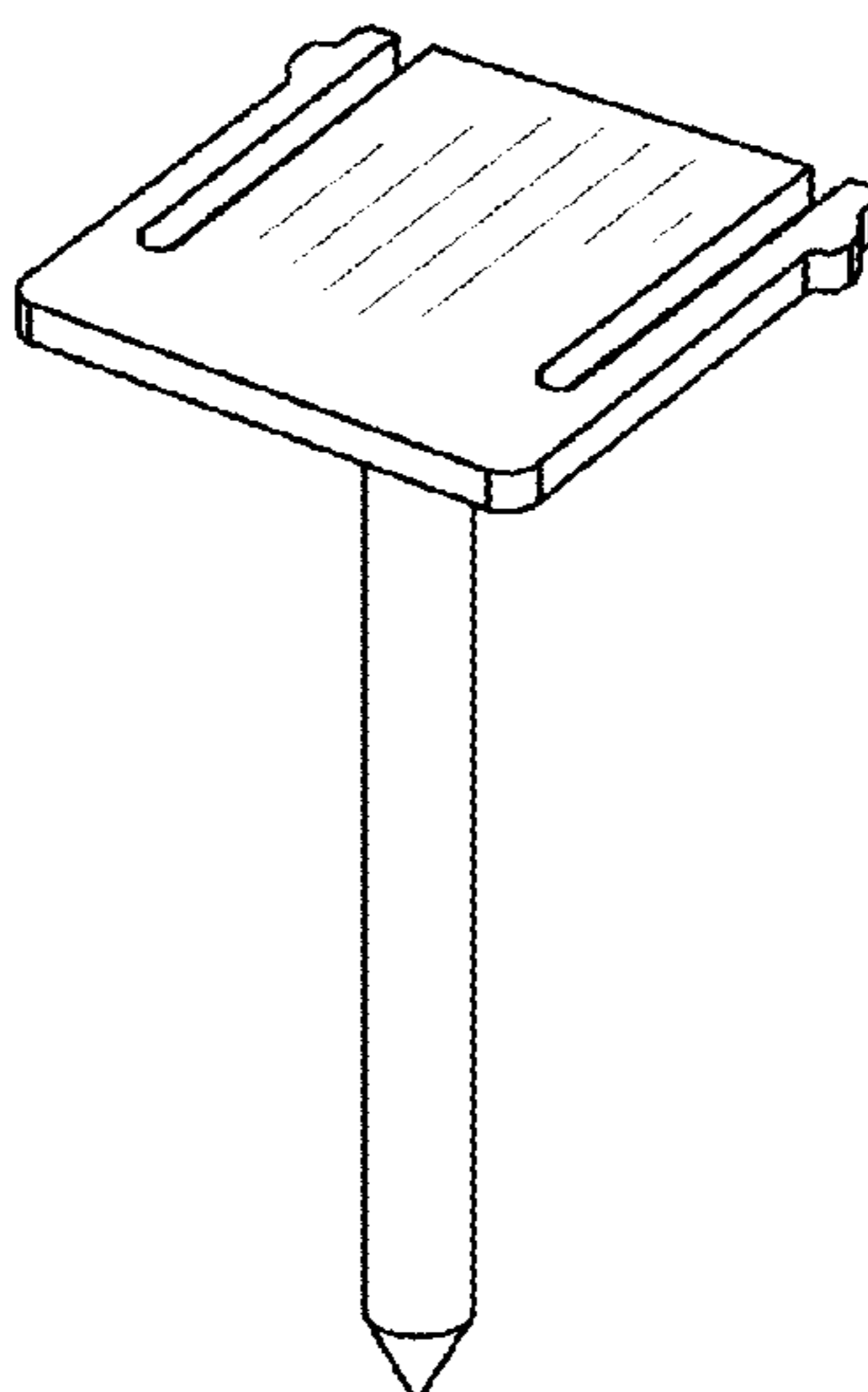
The ornamental design for a hanger nail for wall-mounted articles, as shown and described.

DESCRIPTION

FIG. 1 is a front perspective view of a hanger nail for wall-mounted articles showing our new design; FIG. 2 is a top plan view thereof; FIG. 3 is a front elevational view thereof; FIG. 4 is a rear elevational view thereof; FIG. 5 is a right side elevational view thereof; FIG. 6 is a left side elevational view thereof; and, FIG. 7 is a bottom plan view thereof.

The surface shading lines on the claimed portion are provided only to indicate the contour or curvature of the surfaces. They do not indicate color, texture, markings, indicia, graphic representations, surface treatment, or any other ornamentation applied to the hanger nail.

1 Claim, 2 Drawing Sheets



(56)

References Cited

U.S. PATENT DOCUMENTS

2015/0204366 A1* 7/2015 Cave A47G 1/22
411/493

* cited by examiner

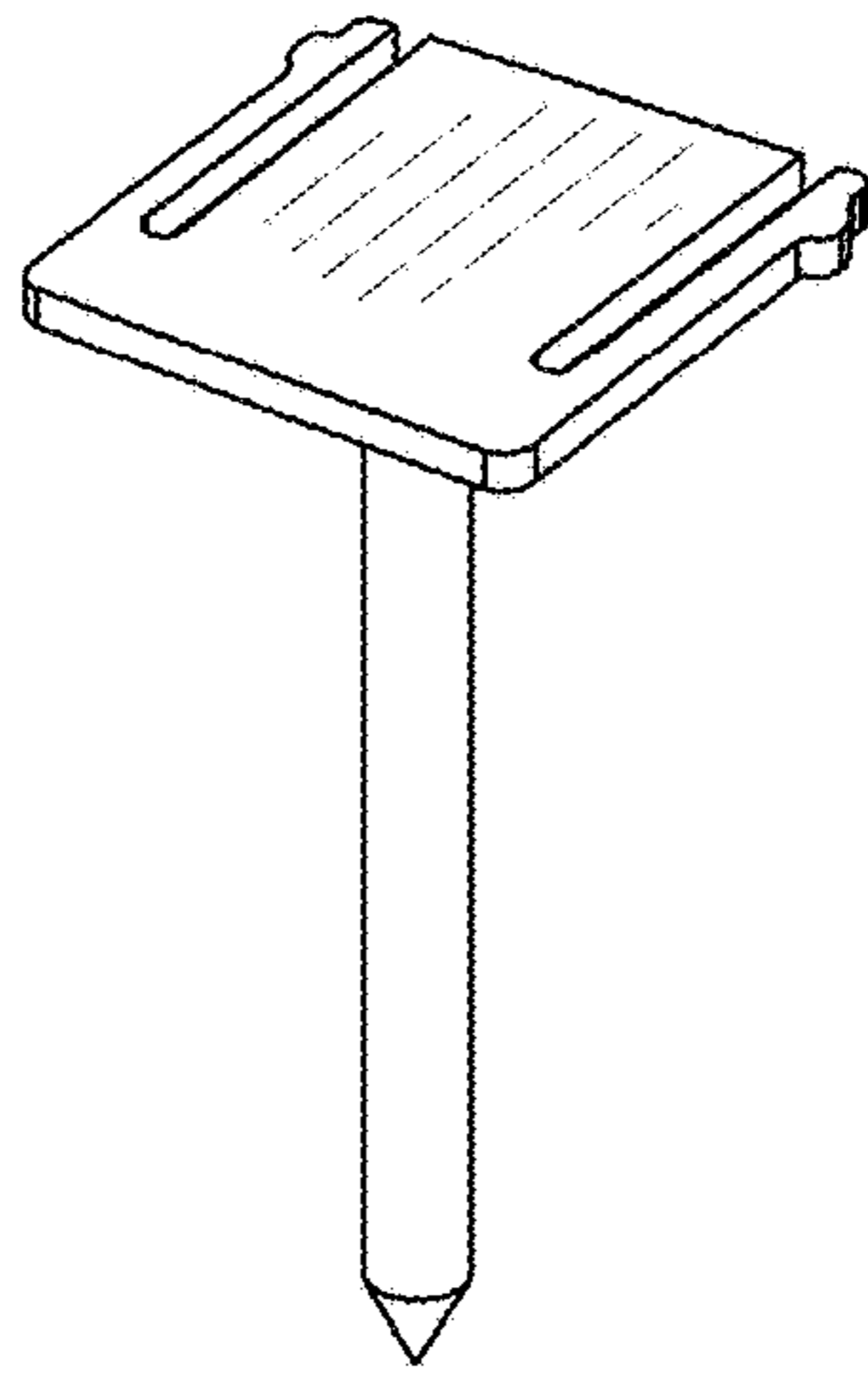


FIG. 1

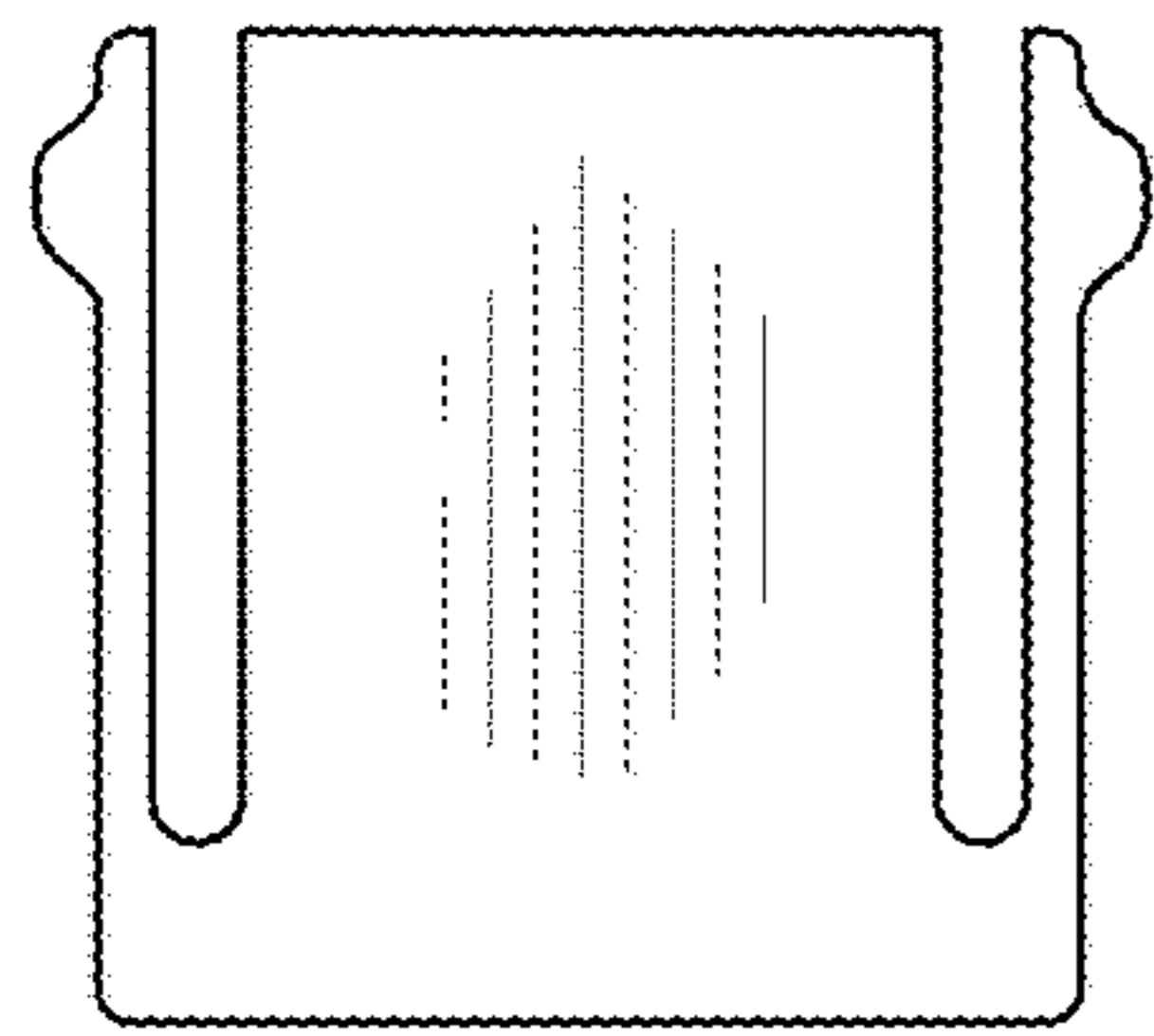


FIG. 2

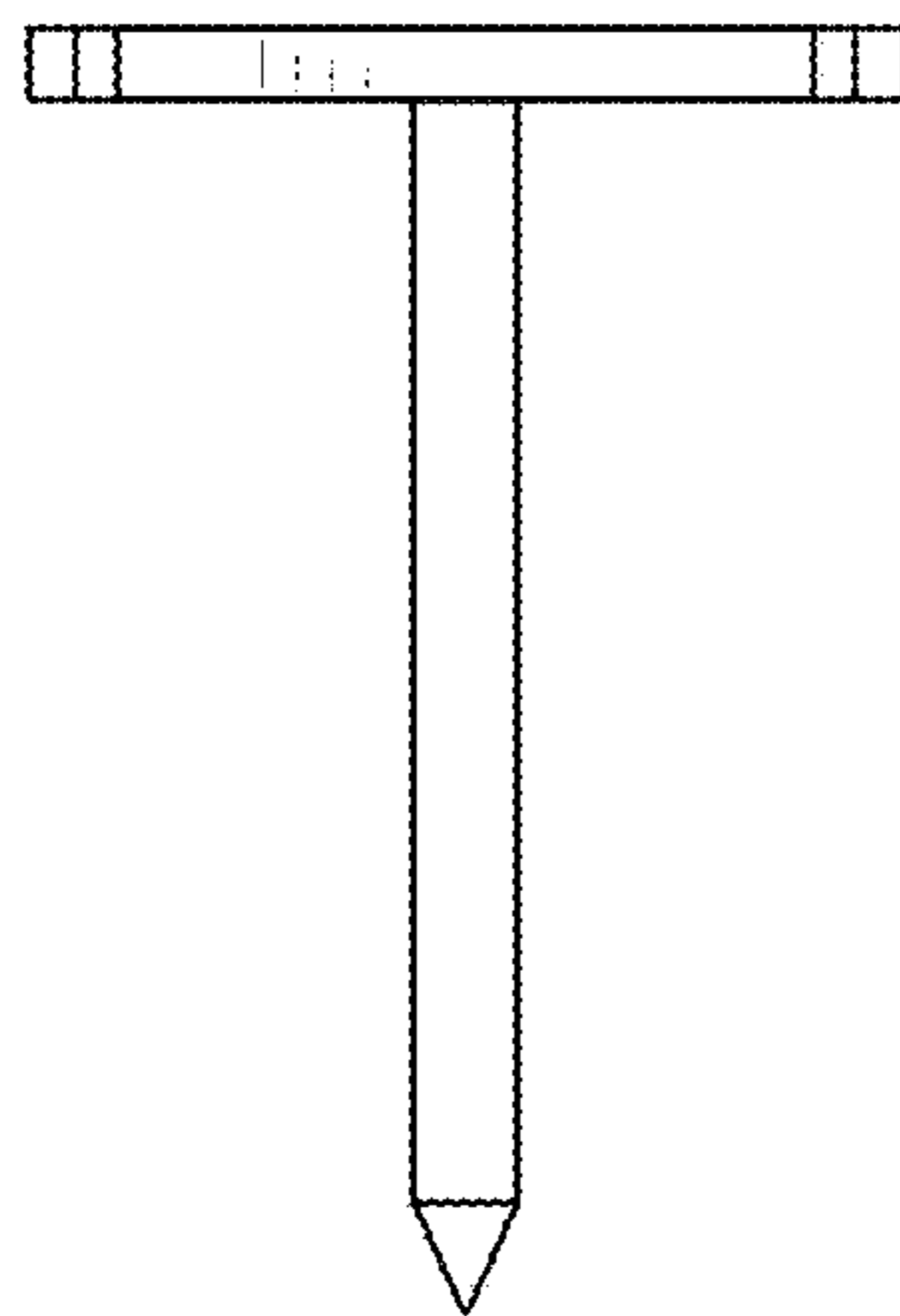


FIG. 3

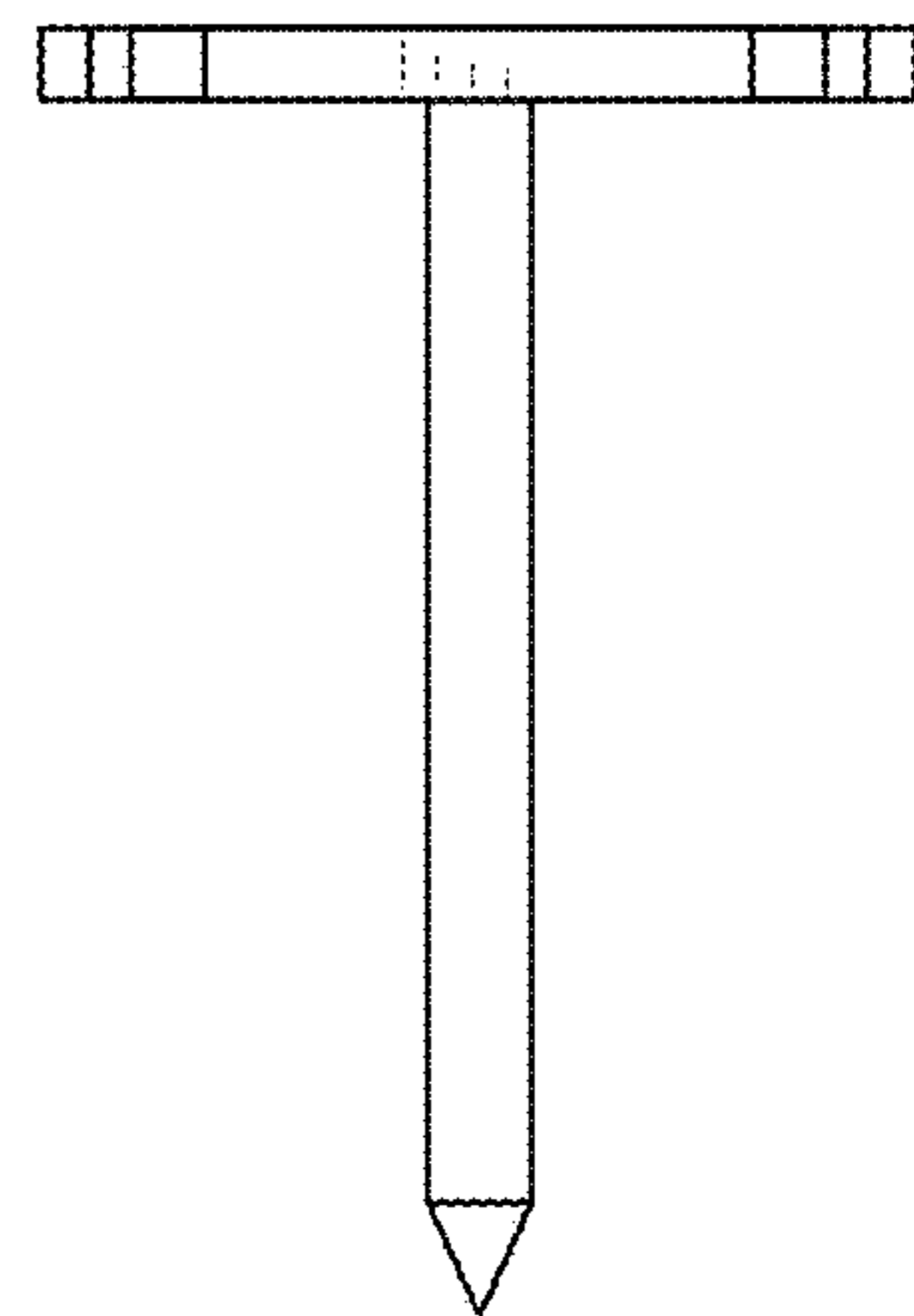


FIG. 4

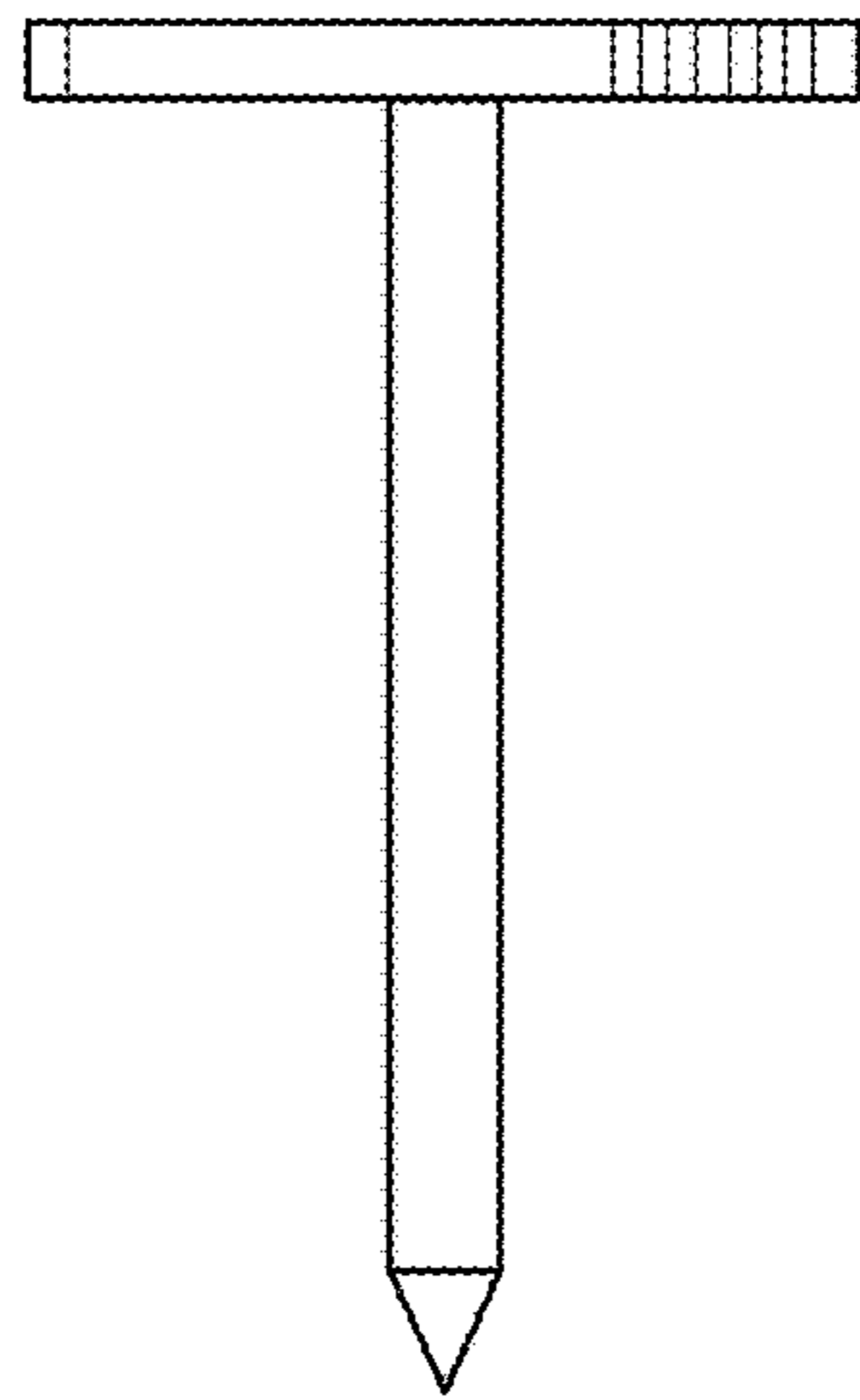


FIG. 5

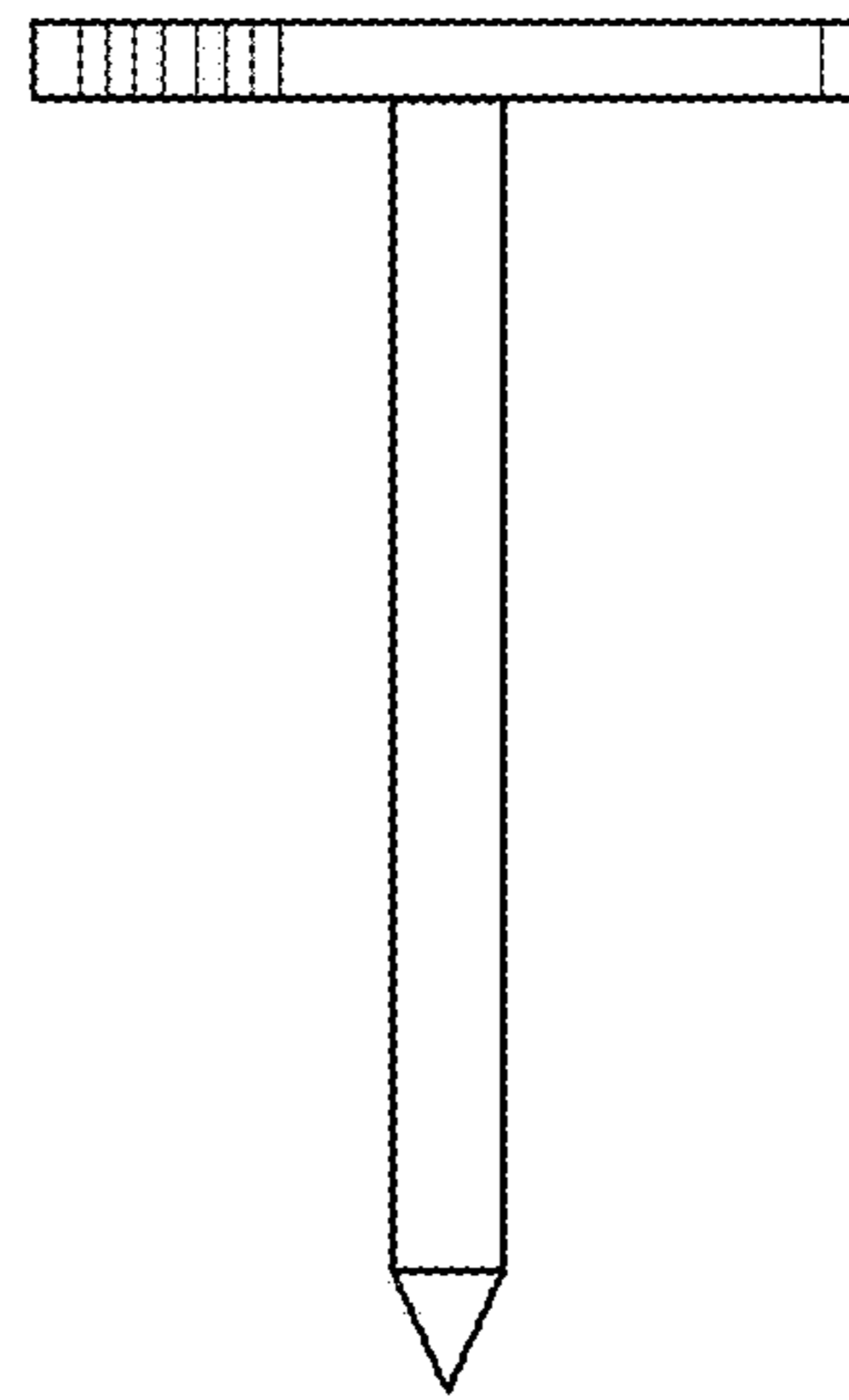


FIG. 6

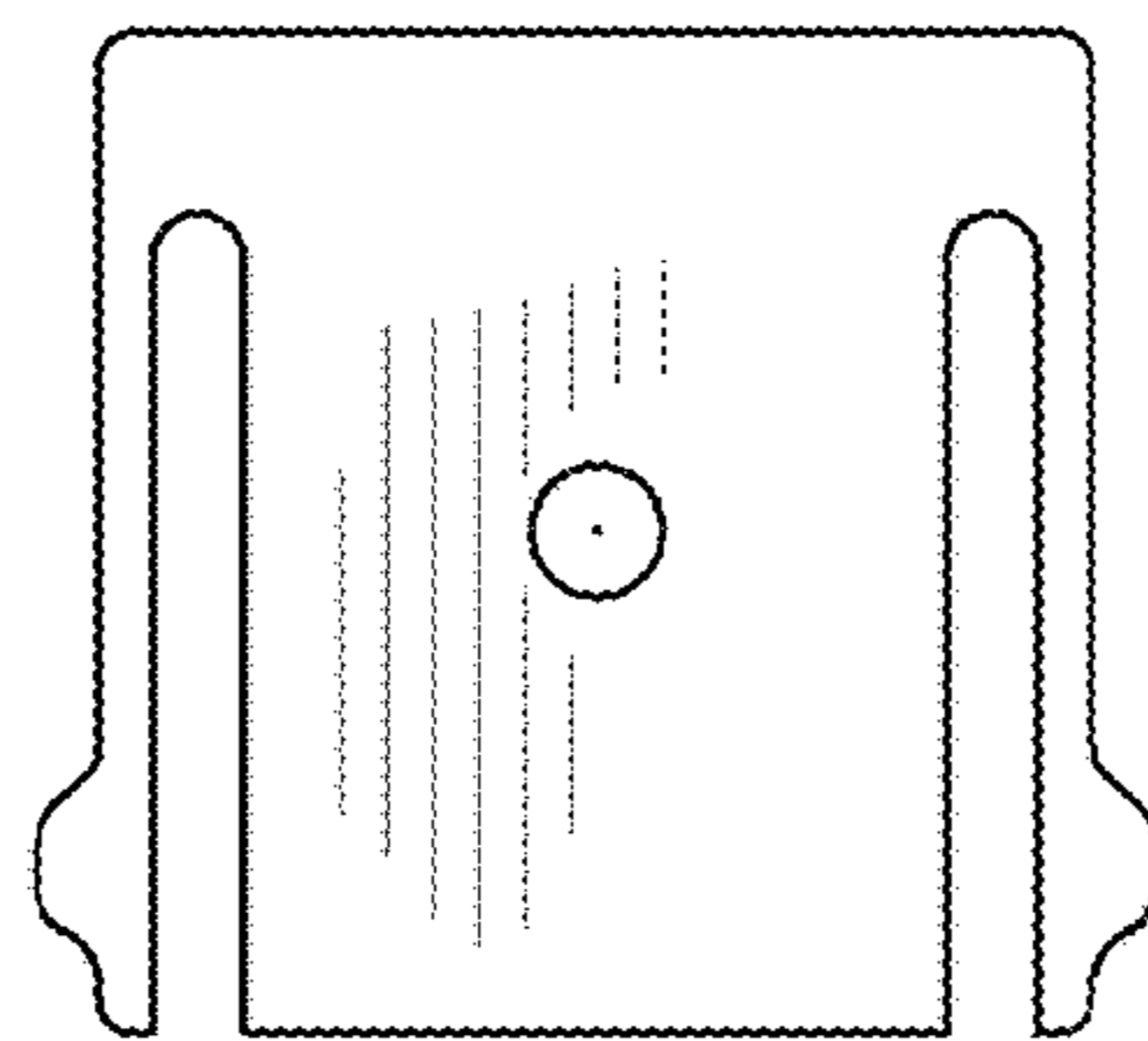


FIG. 7