



US00D817164S

(12) **United States Design Patent** (10) **Patent No.:** **US D817,164 S**
Totsu (45) **Date of Patent:** **** May 8, 2018**

(54) **SCREW**
(71) Applicant: **Katsuyuki Totsu**, Sumida-ku (JP)
(72) Inventor: **Katsuyuki Totsu**, Sumida-ku (JP)
(**) Term: **15 Years**
(21) Appl. No.: **29/574,941**
(22) Filed: **Aug. 19, 2016**
(51) **LOC (11) Cl.** **08-08**
(52) **U.S. Cl.**
USPC **D8/387**
(58) **Field of Classification Search**
USPC D8/382, 387, 388, 391, 393, 397, 399
CPC F16B 19/00; F16B 35/044; F16B 35/005;
F16B 35/00; F16B 23/003; F16B
23/0038; F16B 23/0046; F16B 23/0053;
F16B 23/00; Y10S 411/959
See application file for complete search history.

(56) **References Cited**
U.S. PATENT DOCUMENTS

1,849,240	A *	3/1932	McCrudden	F16B 39/286	411/323
3,920,060	A *	11/1975	Heldmann	F16B 19/00	411/176
7,016,734	B2	3/2006	Persuitti et al.			
7,308,312	B1	12/2007	Lim et al.			
D640,918	S *	7/2011	Totsu	D8/387	
D649,446	S *	11/2011	Totsu	D8/387	
D723,910	S *	3/2015	Totsu	D8/387	
9,068,587	B2	6/2015	Sage et al.			
2012/0137842	A1 *	6/2012	Guo	F16B 23/003	81/460
2012/0165107	A1 *	6/2012	Guo	B25B 15/005	470/57

2015/0104271 A1* 4/2015 Ross F16B 23/003
411/406
2015/0289953 A1* 10/2015 Xam-Mar Mangrane
..... A61C 8/0068
433/75
2016/0305462 A1* 10/2016 Wunderlich F16B 23/003
* cited by examiner

Primary Examiner — Sandra S Snapp
Assistant Examiner — Ieisha N Price
(74) *Attorney, Agent, or Firm* — Norton Rose Fulbright
US LLP

(57) **CLAIM**
The ornamental design for a screw, as shown and described.

DESCRIPTION

FIG. 1 is a perspective view of the screw showing my new design, taken from the top, rear and right side thereof; FIG. 2 is a front elevational view thereof; FIG. 3 is a rear elevational view thereof; FIG. 4 is a left side elevational view thereof; FIG. 5 is a right side elevational view thereof; FIG. 6 is a top plan view thereof; FIG. 7 is a bottom plan view thereof; FIG. 8 is a cross-sectional view thereof taken along the lines 8-8 in FIG. 6, illustrating the configuration of the groove formed in the screw; and, FIG. 9 is a cross-sectional view thereof taken along the lines 9-9 in FIG. 6, illustrating the configuration of the groove formed in the screw.

The broken lines in all figures illustrate portions of the screw that form no part of the claimed design. The dash-dot-dash broken lines in the drawings define the bounds of the claim and form no part thereof.

1 Claim, 5 Drawing Sheets

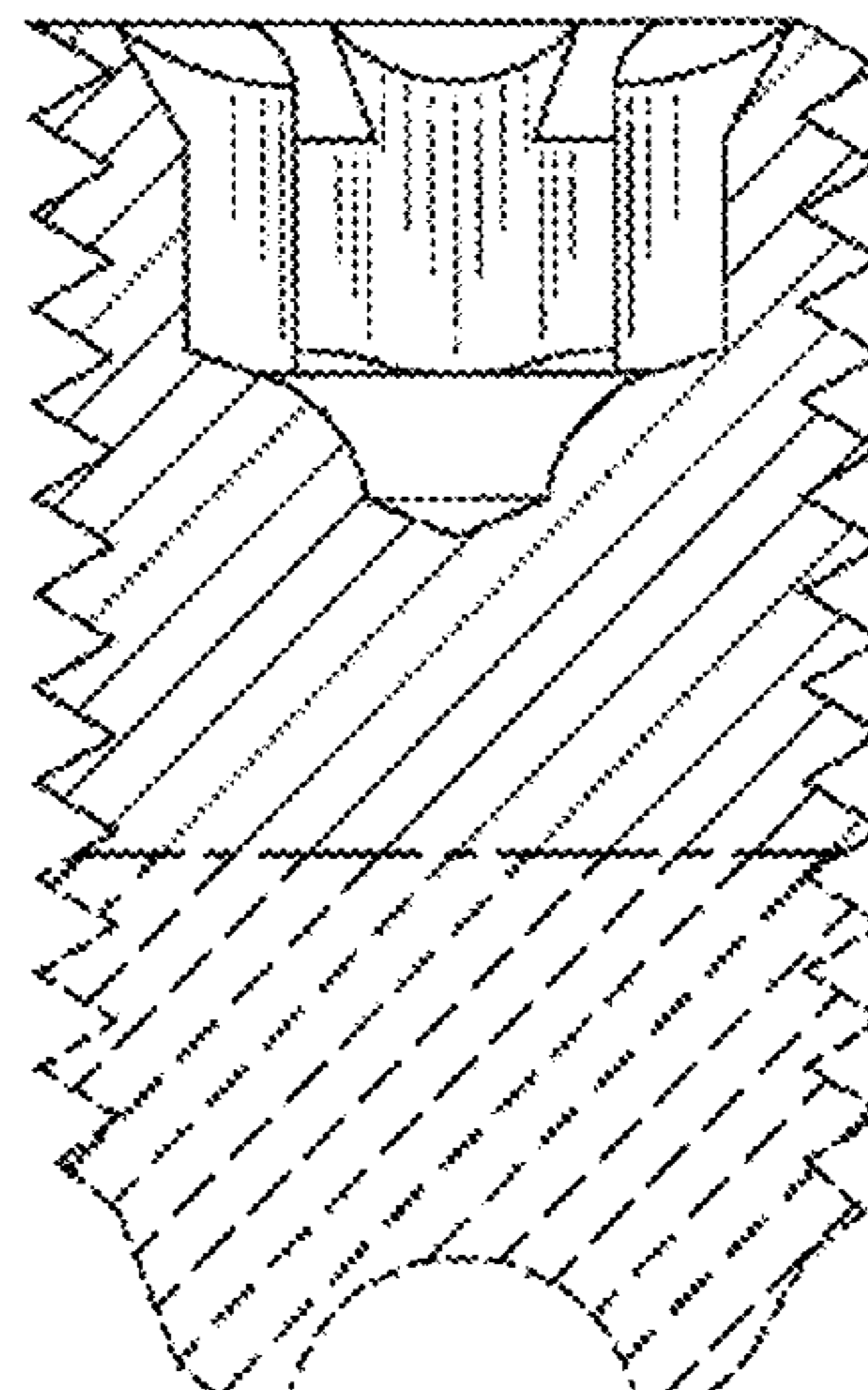
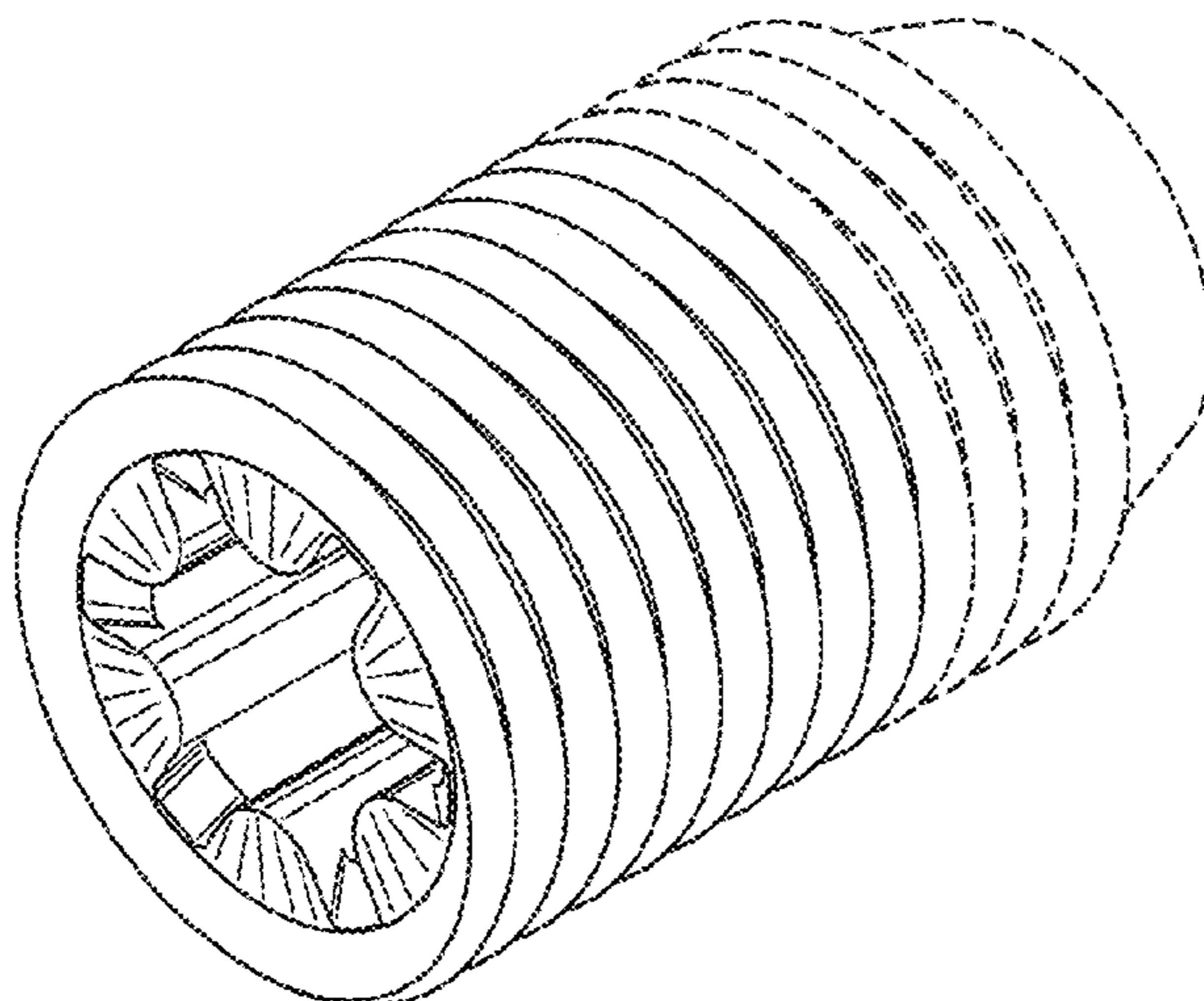


FIG. 1

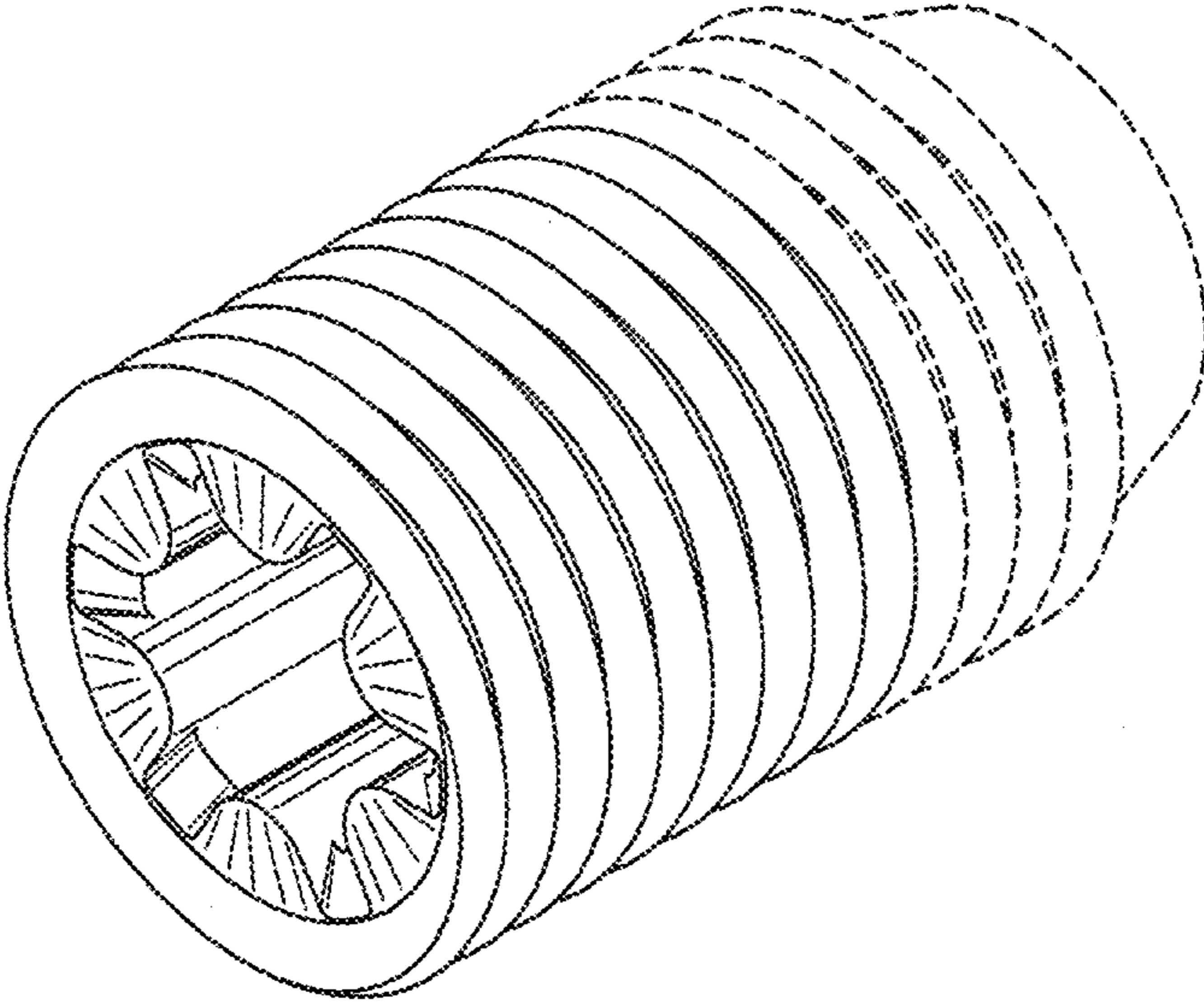


FIG. 2

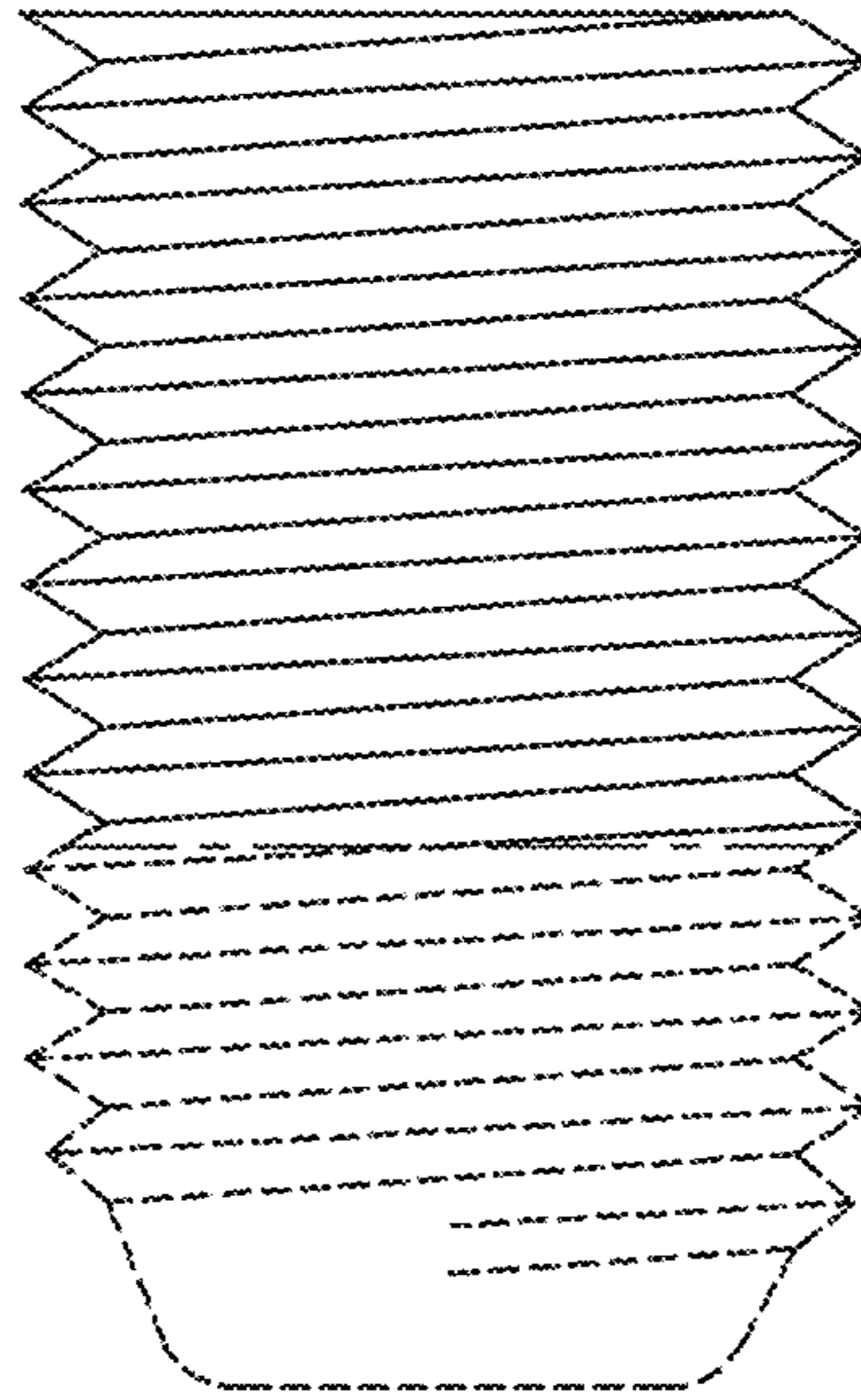


FIG. 3

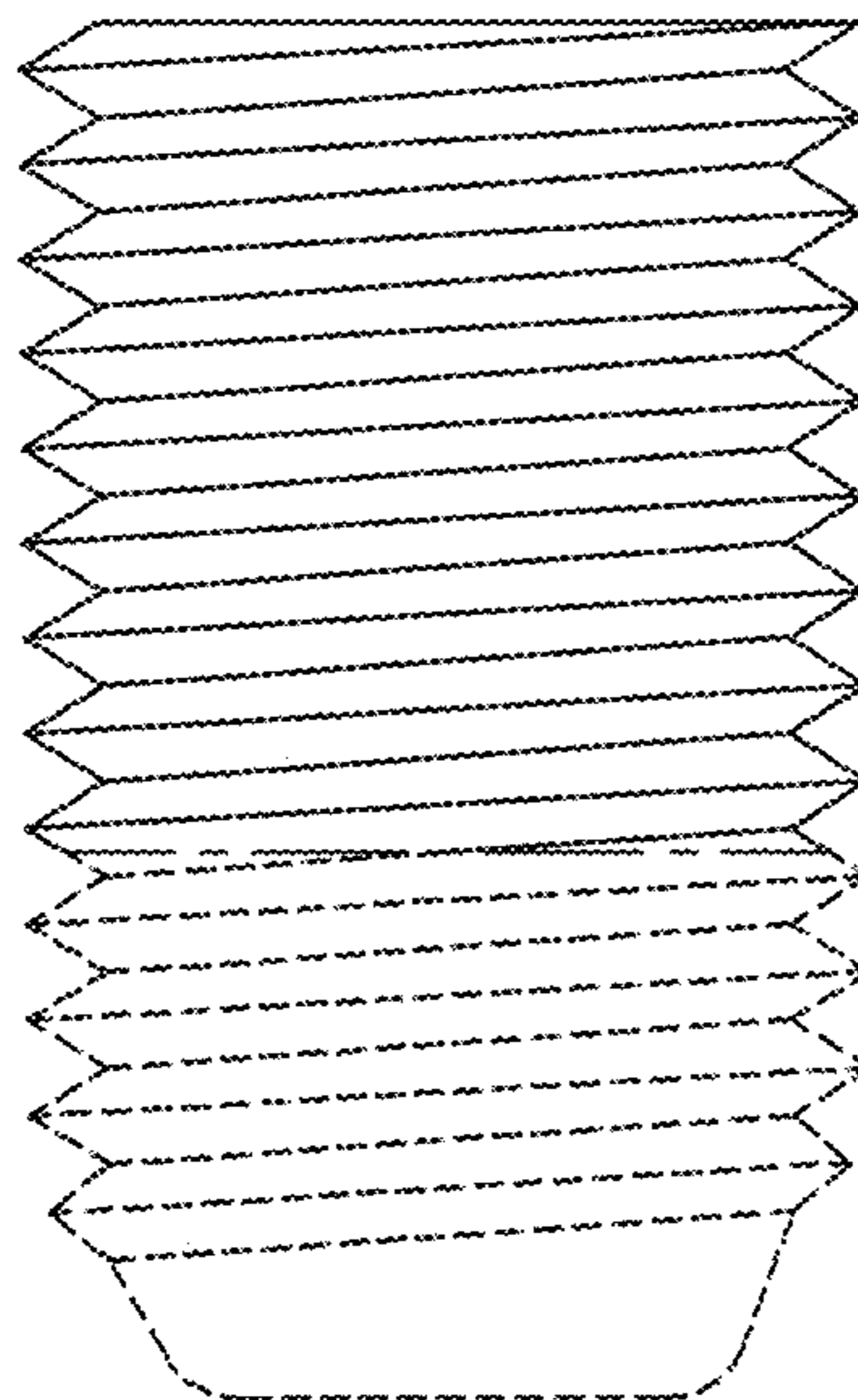


FIG. 4

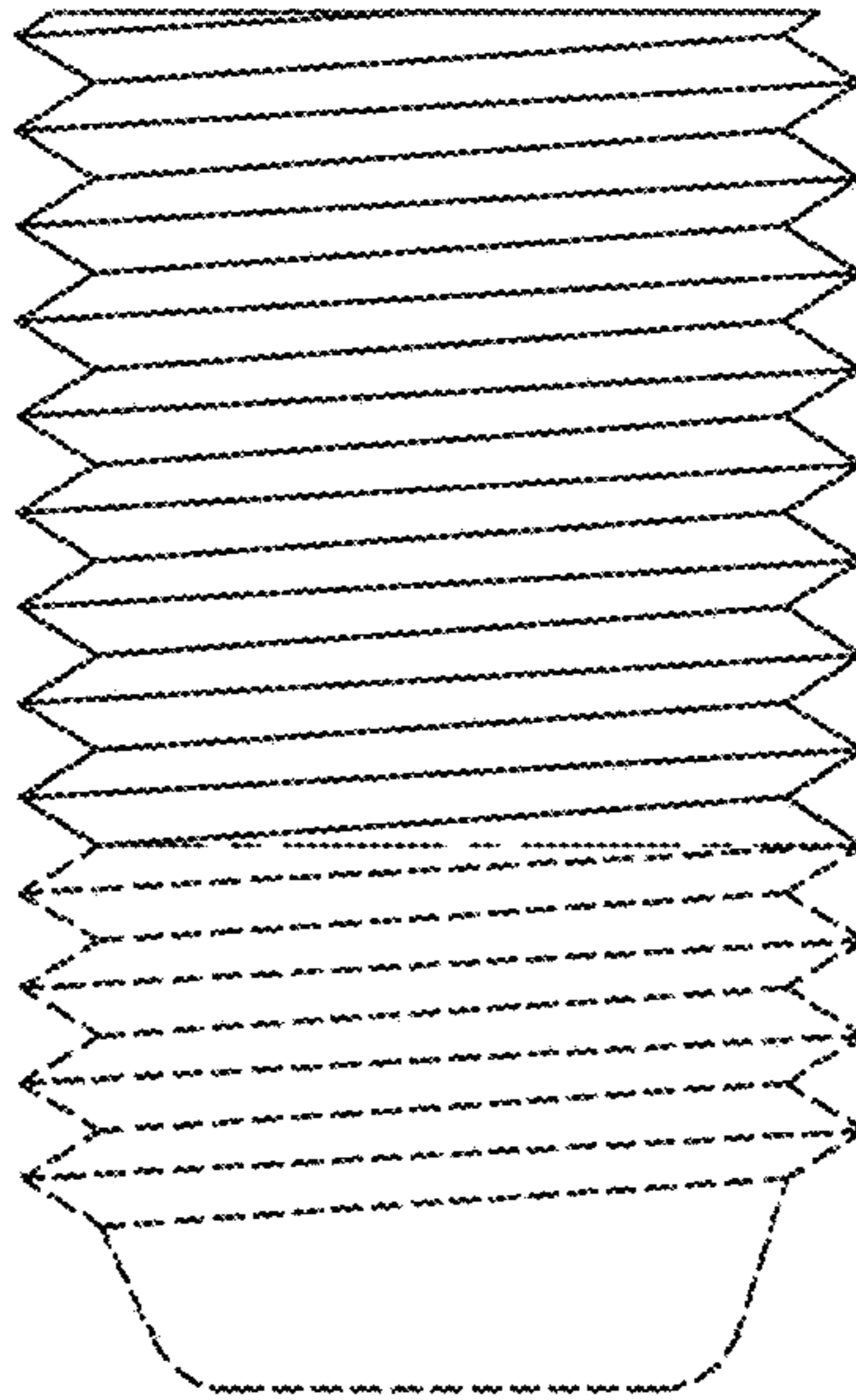


FIG. 5

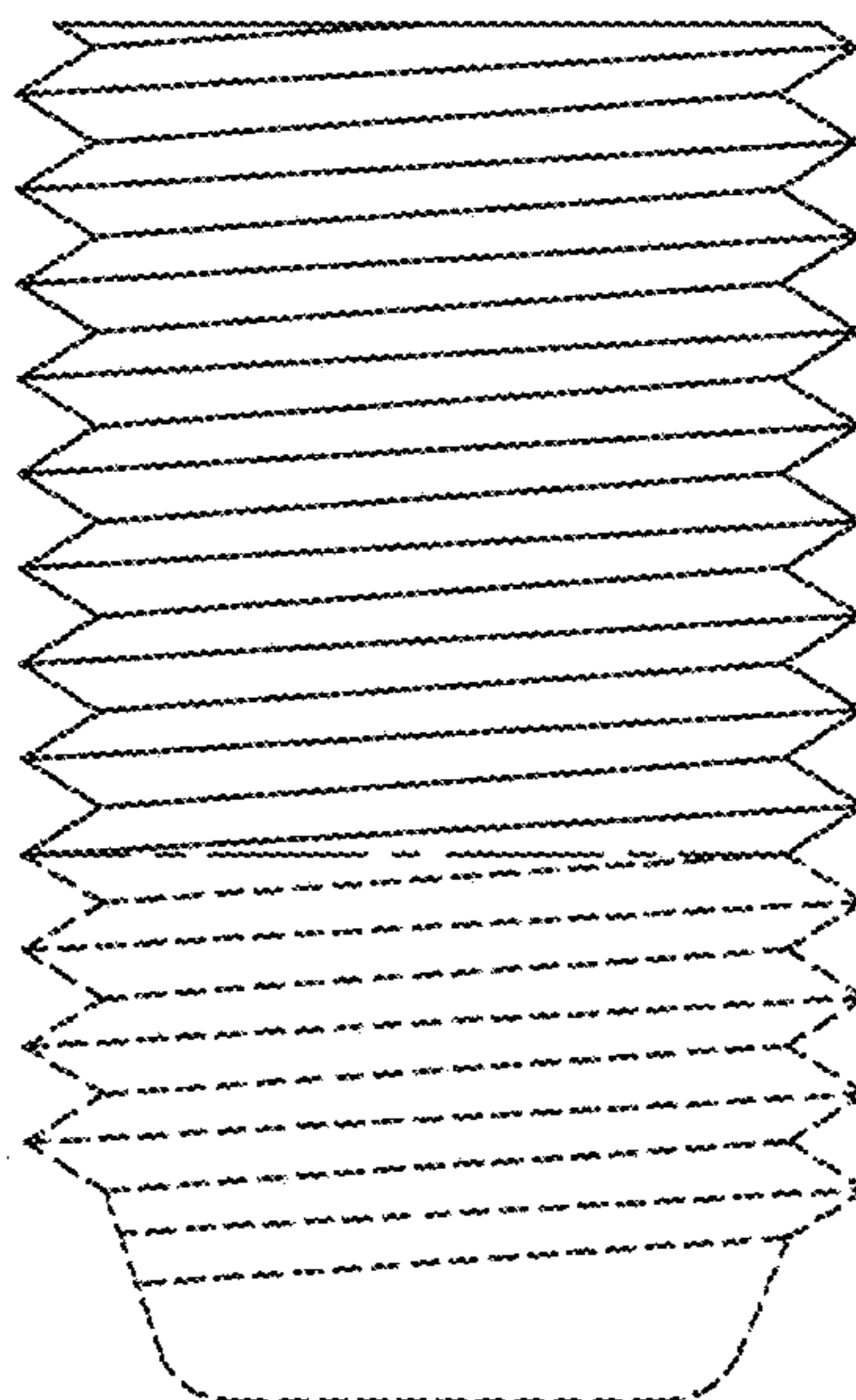


FIG. 6

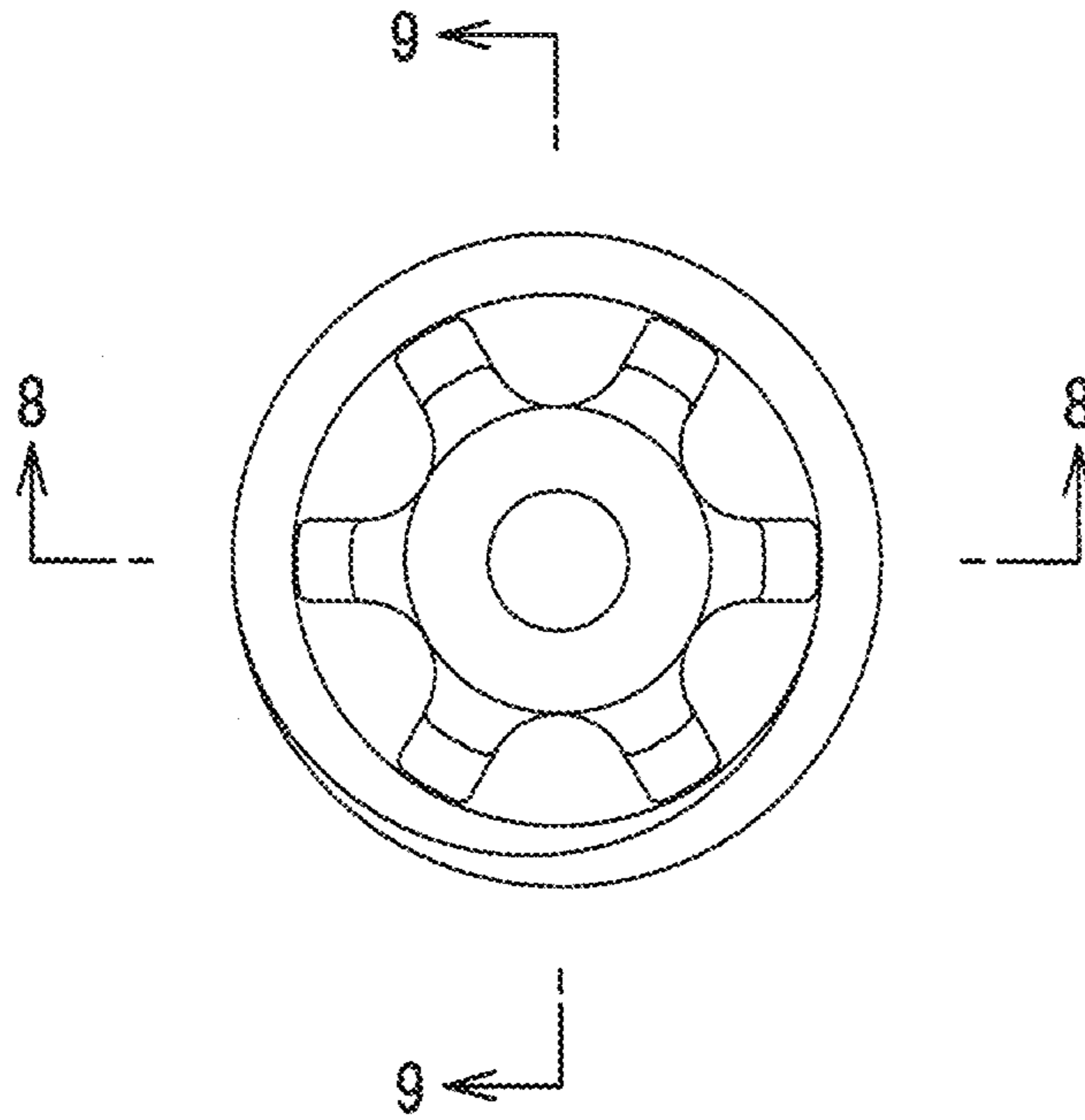


FIG. 7

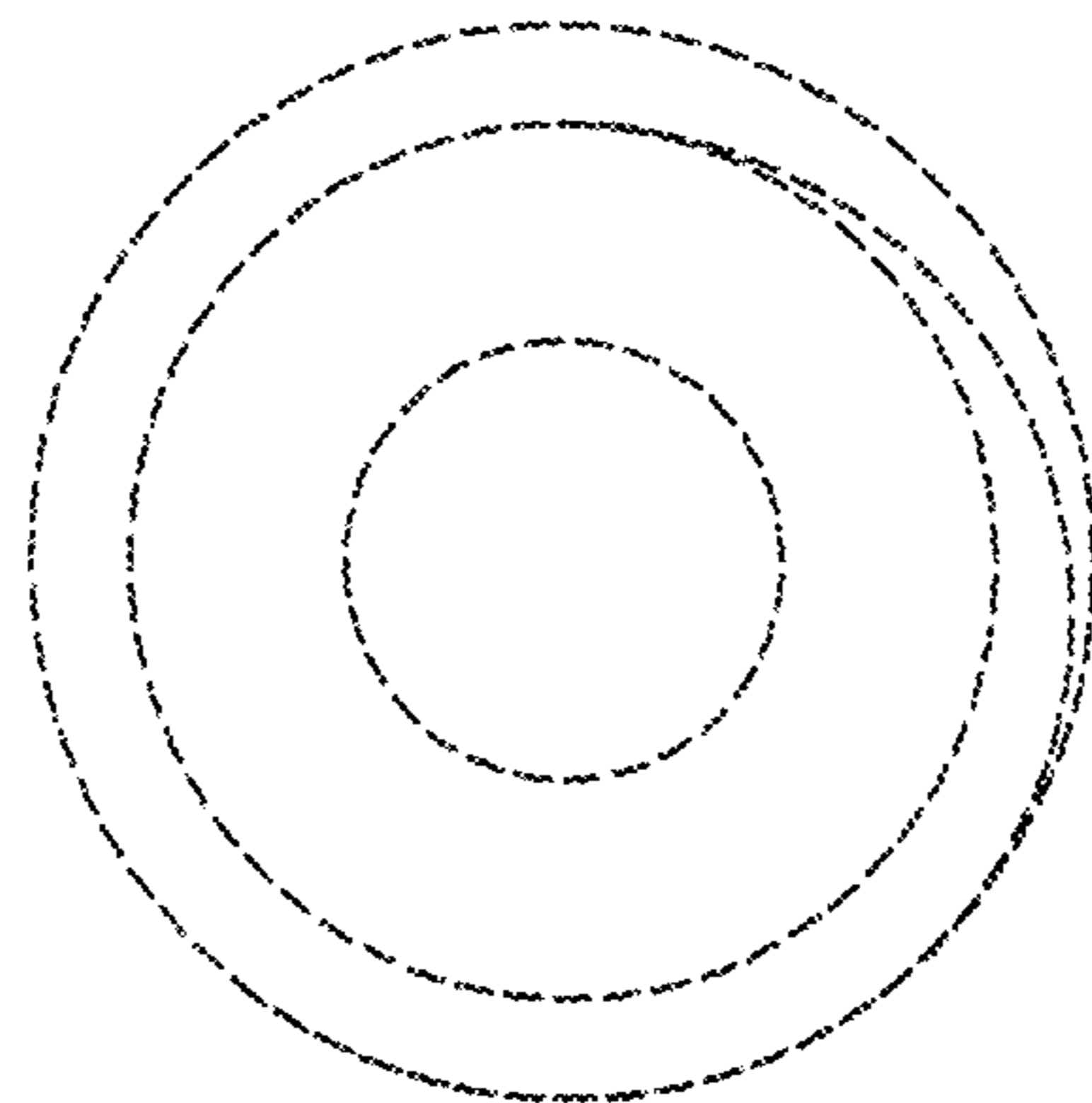


FIG. 8

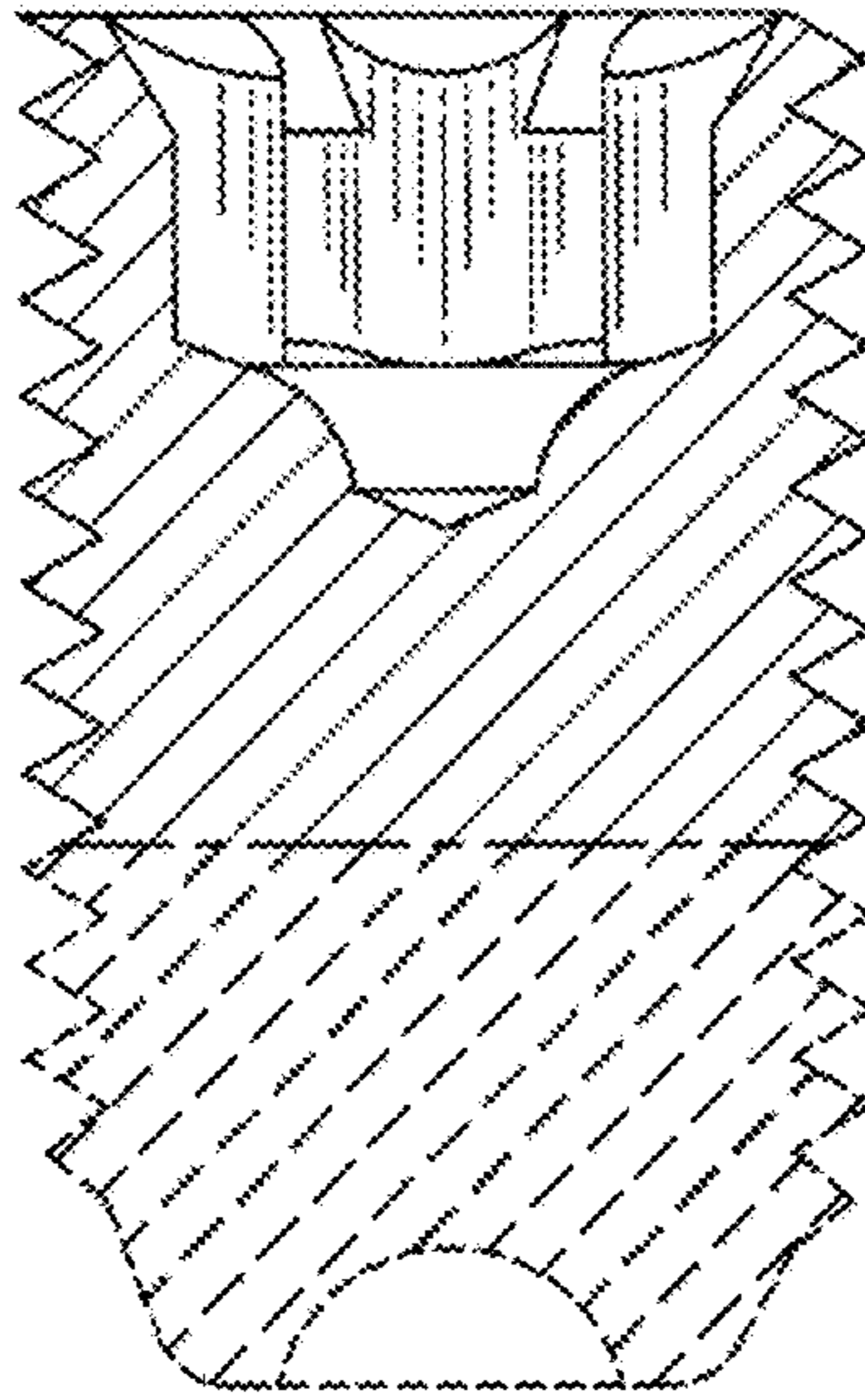


FIG. 9

