



US00D817163S

(12) **United States Design Patent**
Ouyang

(10) **Patent No.:** **US D817,163 S**

(45) **Date of Patent:** **** May 8, 2018**

- (54) **TAP**
- (71) Applicant: **Kai Ouyang**, Chengdu (CN)
- (72) Inventor: **Kai Ouyang**, Chengdu (CN)
- (73) Assignee: **Sichuan Machinery Import & Export Corp. Ltd.**, Chengdu (CN)
- (**) Term: **15 Years**
- (21) Appl. No.: **29/564,650**
- (22) Filed: **May 13, 2016**

Related U.S. Application Data

- (62) Division of application No. 29/506,393, filed on Oct. 15, 2014, now Pat. No. Des. 774,878.

(30) **Foreign Application Priority Data**

- Sep. 24, 2014 (CN) 2014 3 0355816
- Sep. 24, 2014 (CN) 2014 3 0355865
- Sep. 24, 2014 (CN) 2014 3 0355965

- (51) **LOC (11) Cl.** **08-08**

- (52) **U.S. Cl.**
USPC **D8/387**

- (58) **Field of Classification Search**
USPC D8/70, 384, 385, 386, 387, 388, 391,
D8/397; D24/14, 133, 140, 146-147,
D24/149, 152, 155; D15/139
CPC B23G 5/06; B23G 5/20; B23G 7/02
See application file for complete search history.

(56) **References Cited**

U.S. PATENT DOCUMENTS

- 5,037,251 A * 8/1991 Roth B23B 31/005
408/222
- D417,827 S * 12/1999 Gillman D8/14

- D498,403 S * 11/2004 Singh D8/86
- 6,929,024 B1 * 8/2005 Rucker B25B 27/062
137/315.41
- D516,894 S * 3/2006 Singh D8/86
- D551,543 S * 9/2007 Williams D8/387
- 7,357,606 B1 * 4/2008 Pettit B23G 5/20
408/1 R
- D573,876 S * 7/2008 Shibuya D8/387
- D581,776 S * 12/2008 Yin-Feng D8/387
- D585,730 S * 2/2009 Fernandez D8/387
- D639,645 S * 6/2011 Carrillo, Sr. D8/387
- D656,611 S * 3/2012 Garcia D15/139
- D666,485 S * 9/2012 Hegetschweiler D8/387
- D678,756 S * 3/2013 Tsai D8/387
- D678,757 S * 3/2013 Imai D8/387
- D684,038 S * 6/2013 Lin D8/387
- D696,103 S * 12/2013 Hsu D8/387
- D704,039 S * 5/2014 Bugeja D8/387
- D708,510 S * 7/2014 Lin D8/387
- D737,674 S * 9/2015 Tobaruela D8/387

(Continued)

Primary Examiner — Darlington Ly

(74) *Attorney, Agent, or Firm* — Andrew D. Fortney;
Central California IP Group, P.C.

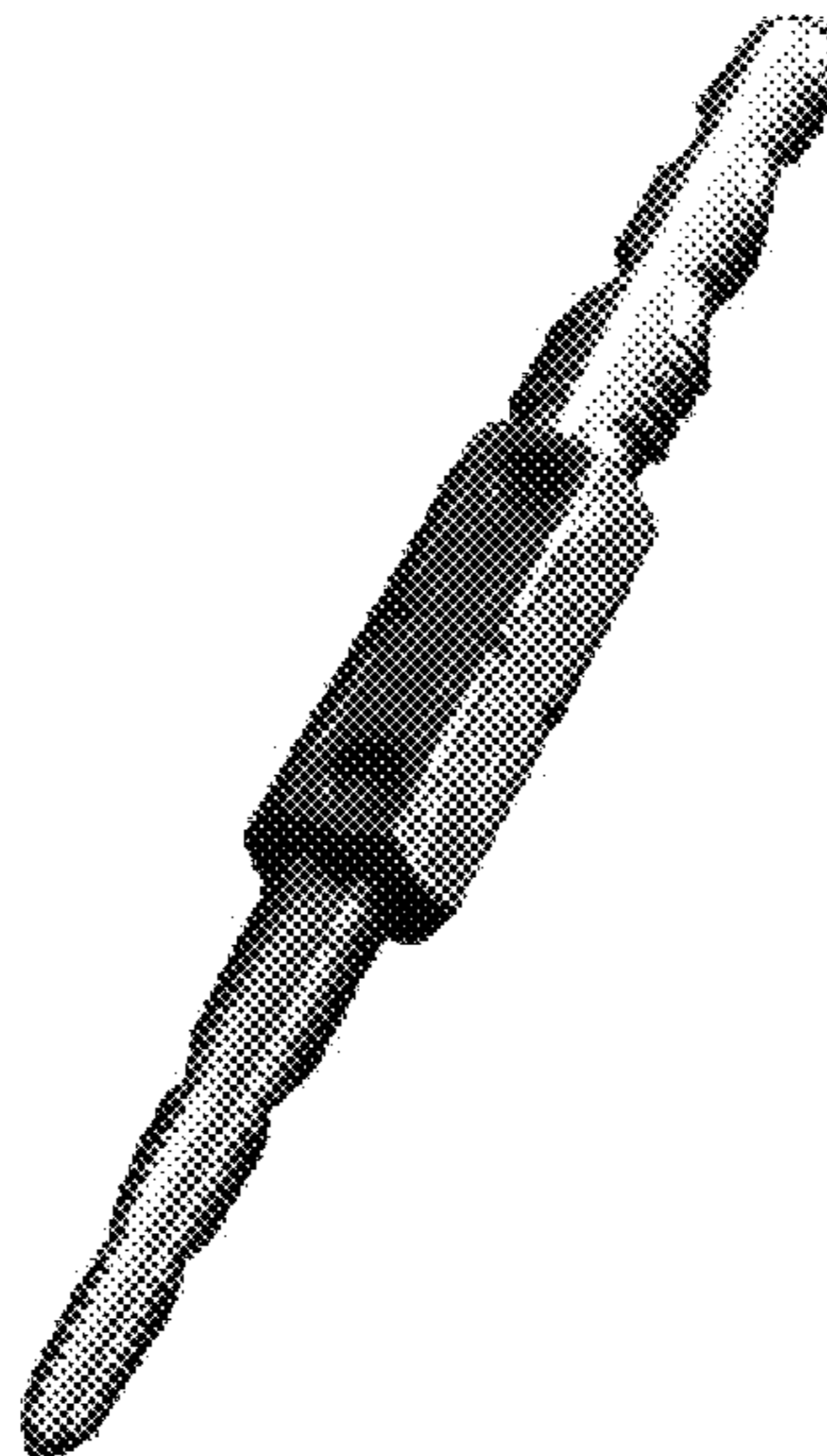
(57) **CLAIM**

The ornamental design for a tap, as shown and described.

DESCRIPTION

FIG. 1 is a front elevation view of a tap used for the tapping and/or forming a thread in a hole in accordance with my new design;
 FIG. 2 is a rear elevation view thereof;
 FIG. 3 is a left side elevation view thereof;
 FIG. 4 is a right side elevation view thereof;
 FIG. 5 is a top plan view thereof;
 FIG. 6 is a bottom plan view thereof; and,
 FIG. 7 is a perspective view thereof taken from the bottom, front and right side of the tap.

1 Claim, 2 Drawing Sheets



(56)

References Cited

U.S. PATENT DOCUMENTS

2005/0271486 A1* 12/2005 Henderer B23G 5/06
408/222
2008/0051793 A1* 2/2008 Erickson A61B 17/1671
606/279
2011/0020087 A1* 1/2011 Yamamoto B23G 7/02
408/219
2015/0306689 A1* 10/2015 Wotruba B23G 5/06
408/72 R

* cited by examiner

FIG. 1

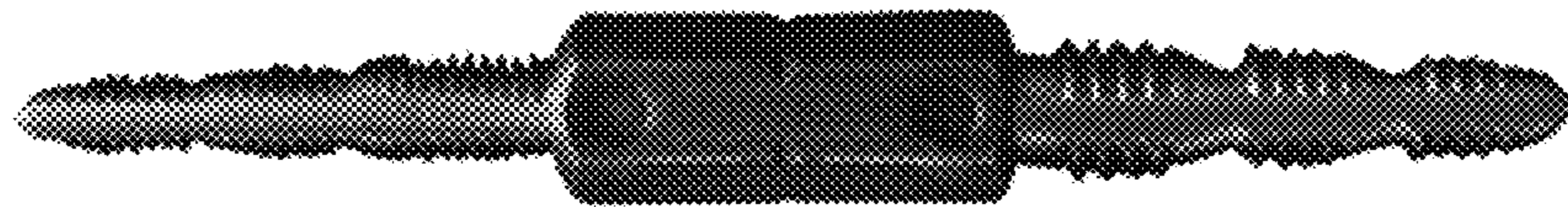


FIG. 2

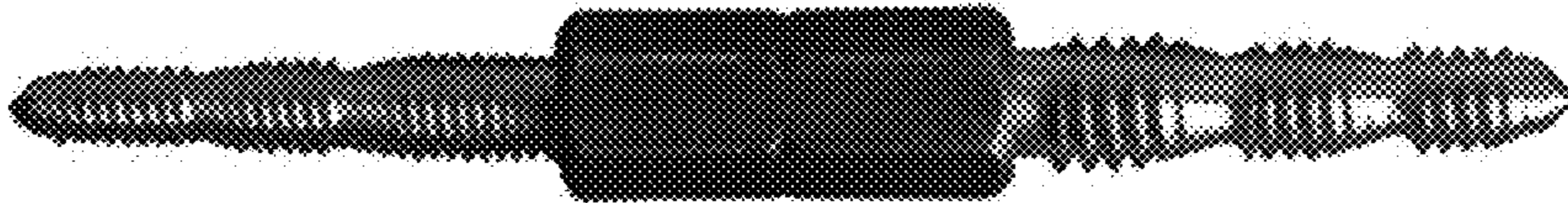


FIG. 3

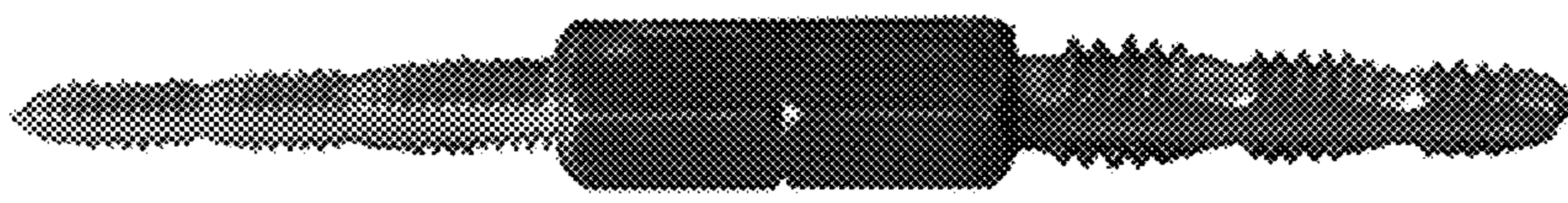


FIG. 4

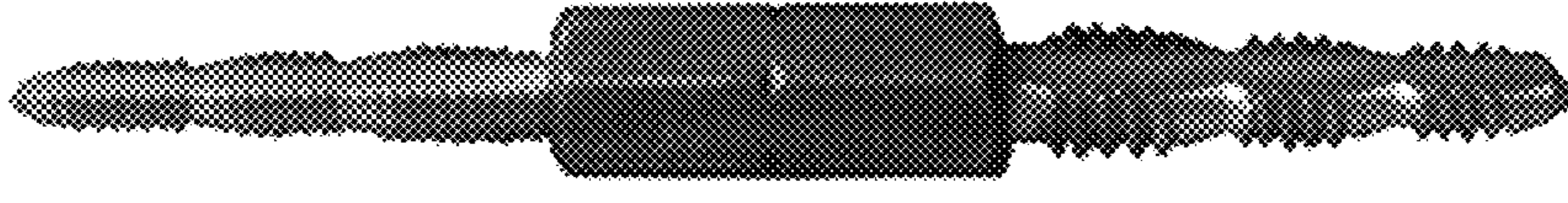


FIG. 5



FIG. 6

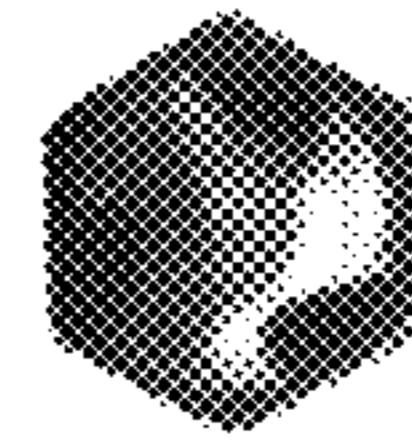


FIG. 7

