



US00D817162S

(12) **United States Design Patent** (10) **Patent No.:** **US D817,162 S**
Kaji et al. (45) **Date of Patent:** **** May 8, 2018**

- (54) **CLIP** 4,762,437 A * 8/1988 Mitomi F16B 21/02
24/297
- (71) Applicant: **DAIWA KASEI KOGYO** D704,539 S * 5/2014 Fujiwara D8/382
KABUSHIKI KAISHA, Okazaki-shi, D723,906 S * 3/2015 Kato D8/382
Aichi-ken (JP) 8,984,715 B2 3/2015 Kaji et al.
2009/0000085 A1 1/2009 Okada et al.
2011/0167590 A1* 7/2011 Ukai E05F 5/022
16/85
- (72) Inventors: **Atsutoshi Kaji**, Toyota (JP); **Makoto Kato**, Toyota (JP) 2011/0283490 A1* 11/2011 Sugiyama F16F 1/371
24/457
- (73) Assignee: **DAIWA KASEI KOGYO** 2012/0246896 A1* 10/2012 Kaji E05F 5/022
KABUSHIKI KAISHA, Aichi-ken (JP) 24/682.1

(Continued)

(**) Term: **15 Years**

FOREIGN PATENT DOCUMENTS

(21) Appl. No.: **29/562,831**

CN 102733705 A 10/2012
EP 2505756 A2 3/2012

(22) Filed: **Apr. 29, 2016**

(Continued)

Related U.S. Application Data

(63) Continuation of application No. 14/534,051, filed on Nov. 5, 2014, now abandoned.

Primary Examiner — Sandra Snapp

(51) **LOC (11) Cl.** **08-08**

Assistant Examiner — Ieisha Price

(52) **U.S. Cl.**

(74) *Attorney, Agent, or Firm* — Christensen, Fonder, Dardi & Herbert PLLC

USPC **D8/382**

(58) **Field of Classification Search**

(57) **CLAIM**

USPC D8/382, 397, 394, 499, 388, 398, 395, D8/402

The ornamental design for a clip, as shown and described.

CPC ... E05F 5/022; E05F 5/025; E05F 5/00; F16F 1/44; F16F 1/445; F16F 7/00; F16F 9/00; F16F 9/32; F16F 9/3207; F16F 2234/02; F16F 2234/04; F16F 2234/06; F16F 2238/04; F16B 21/086; F16B 21/084; F16B 21/082; F16B 19/1081; Y10T 16/628; Y10T 16/6285

DESCRIPTION

See application file for complete search history.

FIG. 1 is a perspective view of a clip showing our new design;

FIG. 2 is a front elevation view thereof;

FIG. 3 is a sectional view of the assembled state thereof; and,

FIG. 4 is a perspective view of the assembled state thereof. The broken lines in the drawings illustrate portions of the clip and form no part of the claimed design.

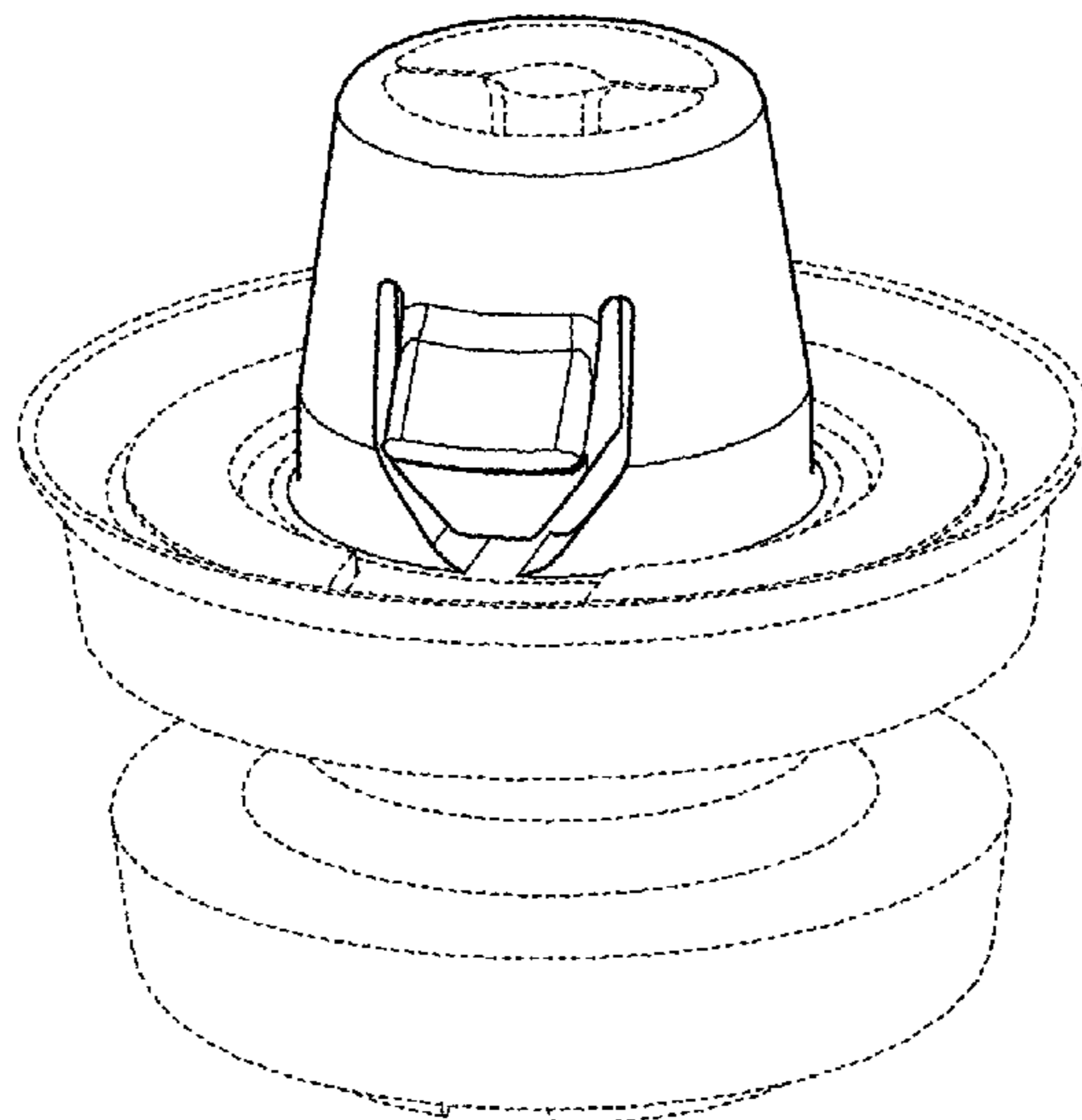
The dot-dot-dash broken lines, in FIG. 3, define the bounds of the claim and form no part thereof.

(56) **References Cited**

U.S. PATENT DOCUMENTS

3,444,596 A 5/1969 Soltysik
3,476,008 A 11/1969 Pearson et al.

1 Claim, 2 Drawing Sheets



(56)

References Cited

U.S. PATENT DOCUMENTS

2015/0121665 A1* 5/2015 Kaji F16B 21/086
24/458
2015/0173466 A1 6/2015 Shimizu et al.
2015/0298623 A1* 10/2015 Kato B60R 13/0206
24/458

FOREIGN PATENT DOCUMENTS

JP 2-8089 2/1990
JP 04-337104 A 11/1992
JP 2005-041241 A 2/2005
JP 2009-222074 A 1/2009
JP 4243841 B2 1/2009
JP 2012-211660 A 11/2012
TW M256445 U 2/2005

* cited by examiner

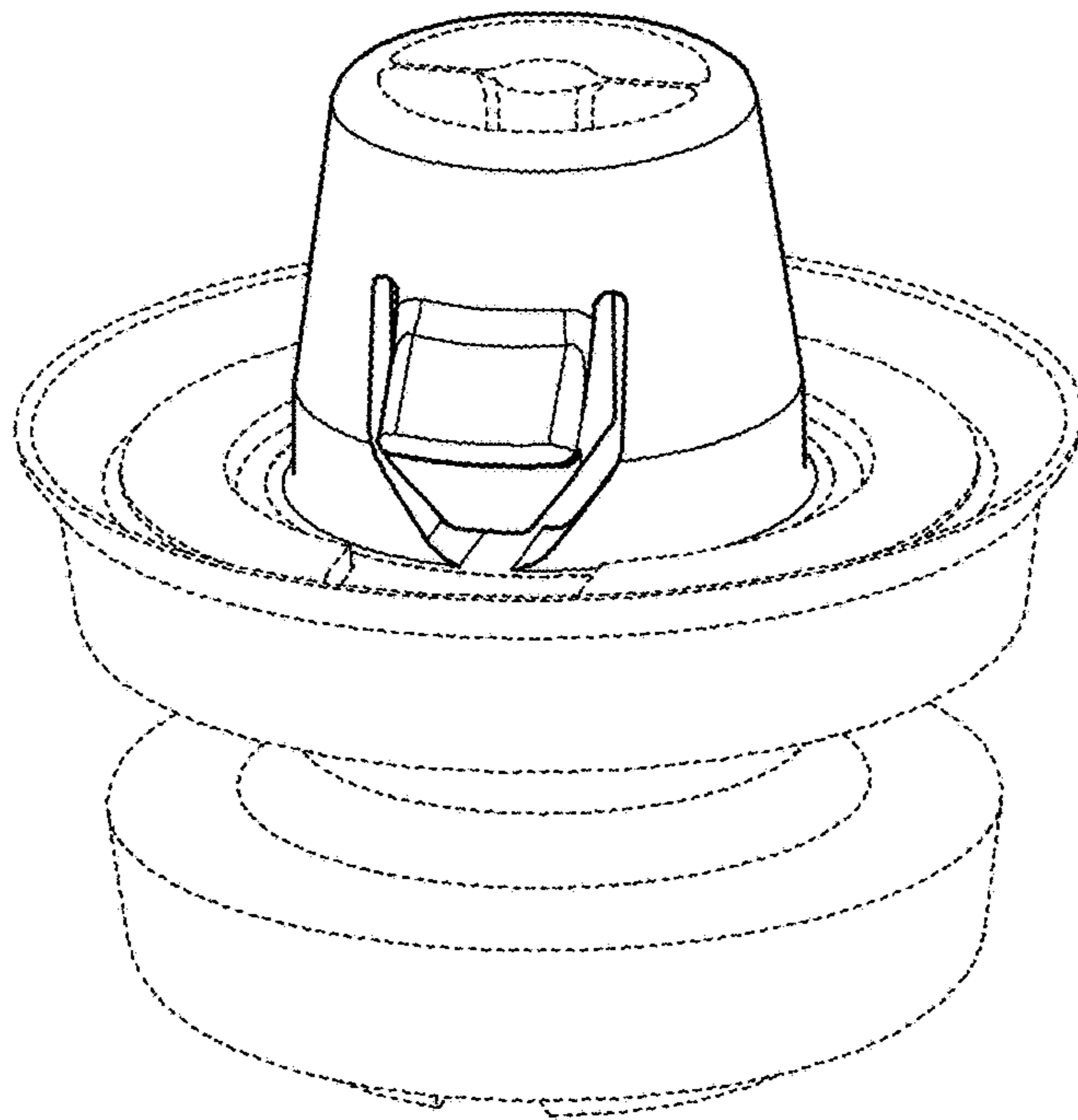


FIG. 1

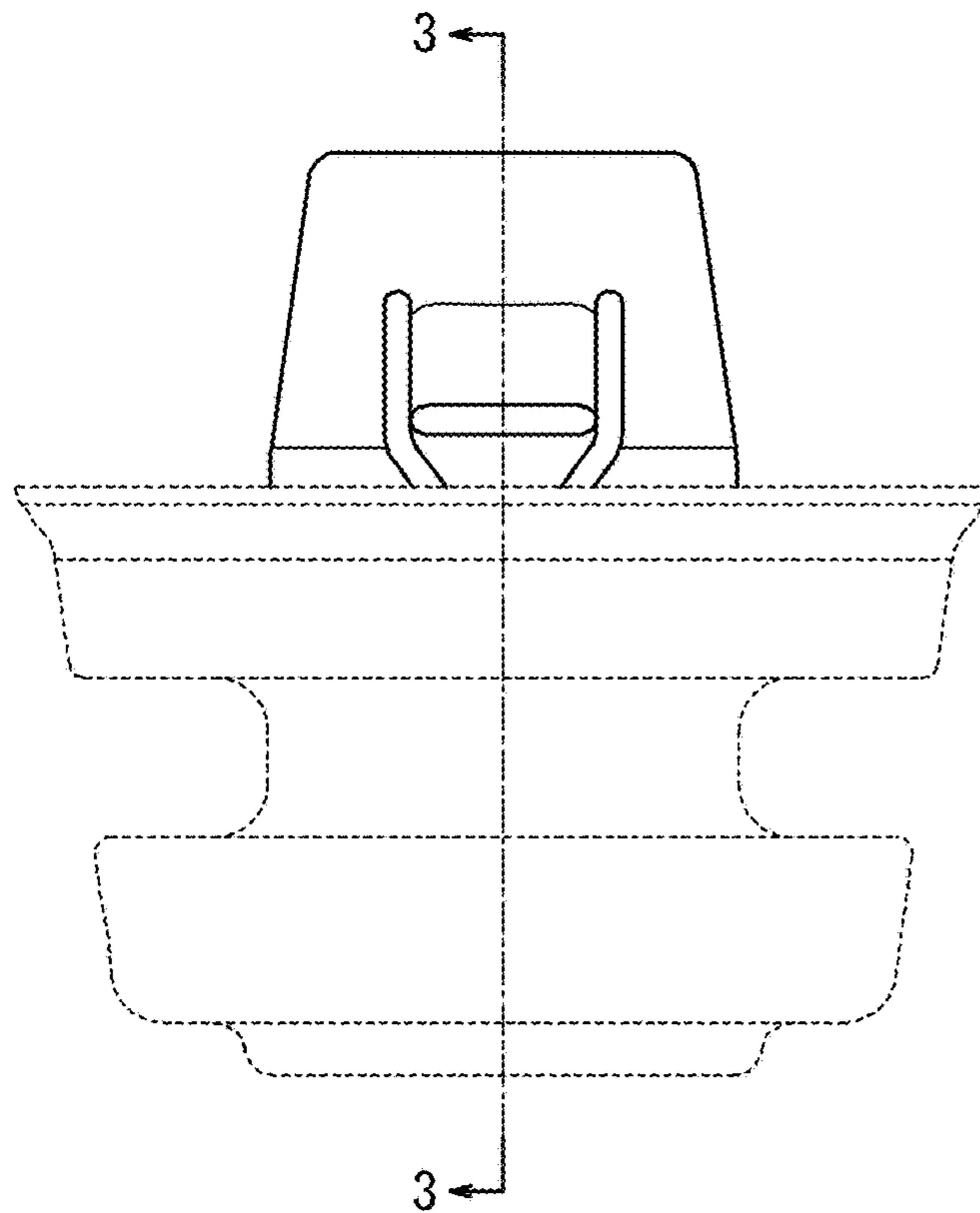


FIG. 2

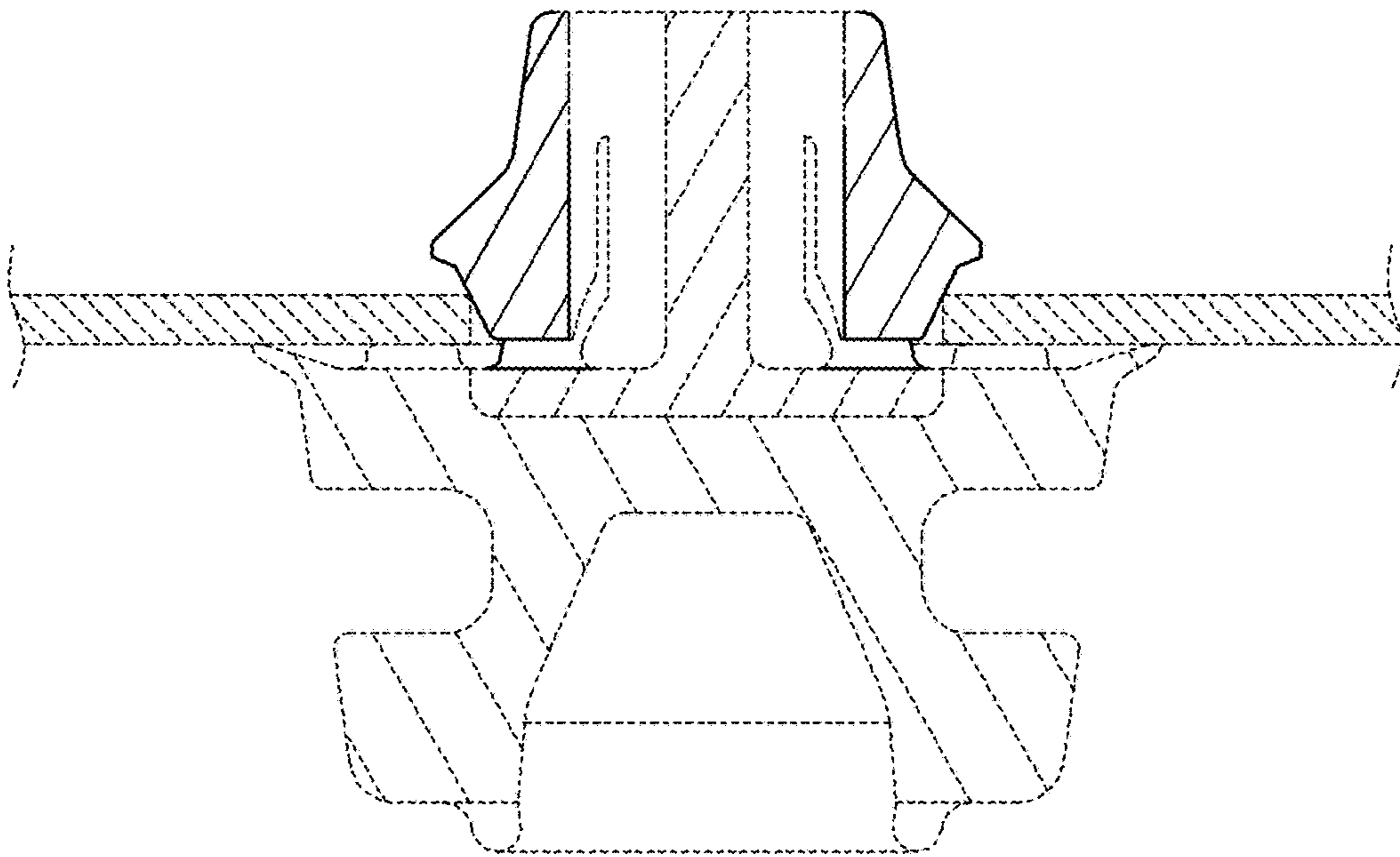


FIG. 3

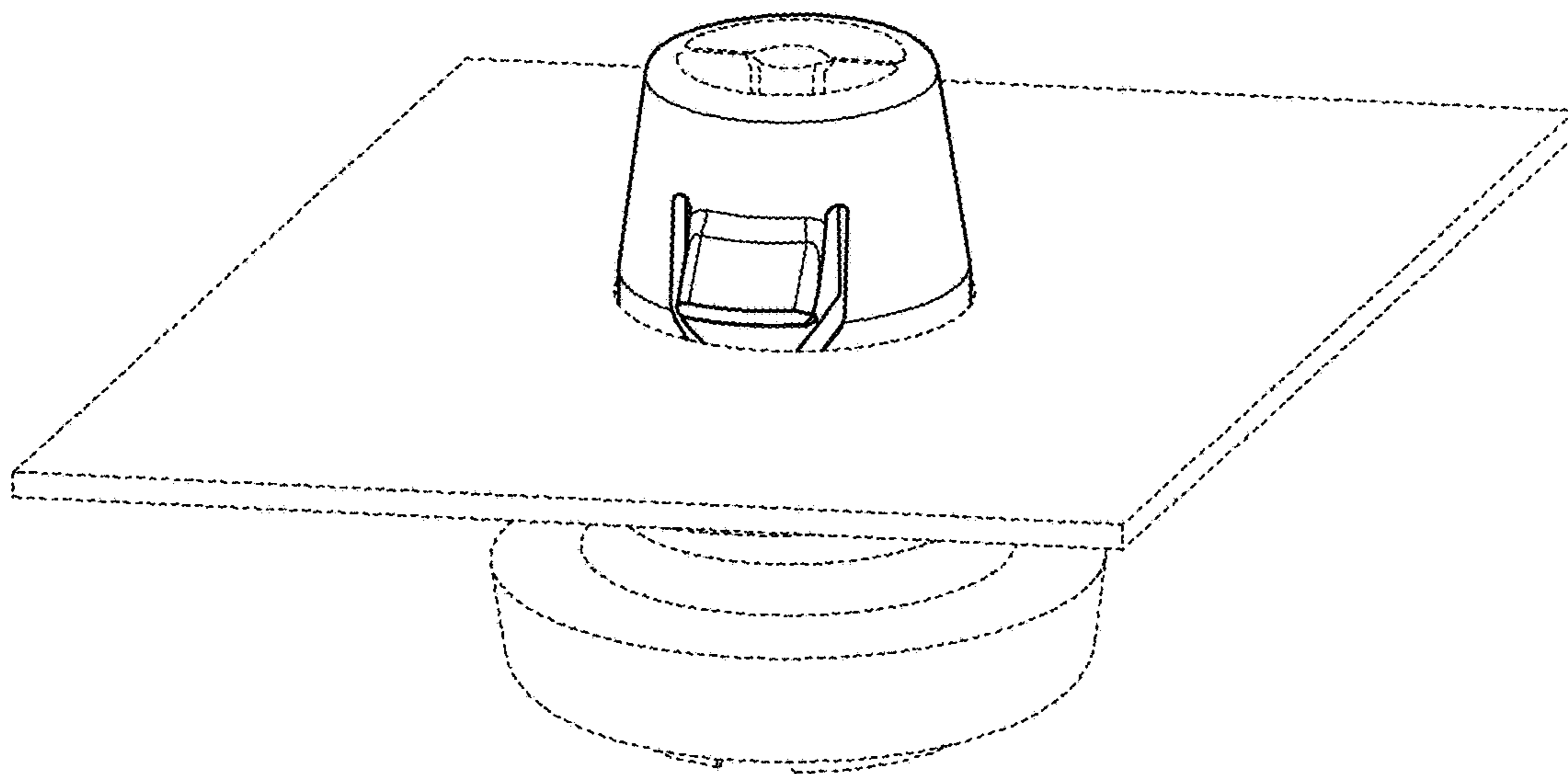


FIG. 4