



US00D817161S

(12) **United States Design Patent**
Hamann

(10) **Patent No.:** **US D817,161 S**

(45) **Date of Patent:** **** May 8, 2018**

(54) **CASTER WHEEL LOCK**

(71) Applicant: **BK Resources, Inc.**, Altamont, IL (US)

(72) Inventor: **Michael Hamann**, Altamont, IL (US)

(73) Assignee: **BK Resources, Inc.**, Altamont, IL (US)

(**) Term: **15 Years**

(21) Appl. No.: **29/596,330**

(22) Filed: **Mar. 7, 2017**

(51) **LOC (11) Cl.** **08-05**

(52) **U.S. Cl.**
USPC **D8/375**

(58) **Field of Classification Search**
USPC D8/349–356, 358, 359, 363, 365, 366,
D8/371, 373, 374, 375, 380, 381, 382,
D8/387, 391, 393, 394, 396, 370;
D14/239, 126, 451
CPC .. F16B 7/0466; F16B 7/04; F16L 3/00; E04B
2001/405; B60B 33/0089; B60B 33/0097
See application file for complete search history.

(56) **References Cited**

U.S. PATENT DOCUMENTS

D286,739 S *	11/1986	Larsson	D13/156
5,210,903 A *	5/1993	Horning	B60B 33/00
				16/18 R
D440,483 S *	4/2001	Bushey	D8/374
D460,680 S *	7/2002	Weinerman	D8/306
D523,325 S *	6/2006	Ignagni	D8/354
D532,679 S *	11/2006	Ignagni	D8/354
D549,555 S *	8/2007	Ignagni	D8/354
D703,083 S *	4/2014	Saikawa	D10/121
D783,386 S *	4/2017	Collins, IV	D8/354

OTHER PUBLICATIONS

Webstaurantstore.com: Dormont Posi-Set Caster Placement Safety Set System—Blue. Published Sep. 6, 2015. Retrieved from the

internet at <<https://www.webstaurantstore.com/dormont-psi-set-caster-placement-safety-set-system-blue/320PSBLUE.html>>, Dec. 18, 2017. 1 page.*

* cited by examiner

Primary Examiner — Rosemary K Tarcza

Assistant Examiner — Christy Nemeth

(74) *Attorney, Agent, or Firm* — Locke Lord LLP; Daniel J. Fiorello; Gabriel J. McCool

(57) **CLAIM**

The ornamental design for a caster wheel lock, as shown and described.

DESCRIPTION

FIG. 1 is a perspective view of a caster wheel lock of my new design;

FIG. 2 is a top plan view of the caster wheel lock of FIG. 1; FIG. 3 is a bottom plan view of the caster wheel lock of FIG. 1;

FIG. 4 is a right side elevation view of the caster wheel lock of FIG. 1;

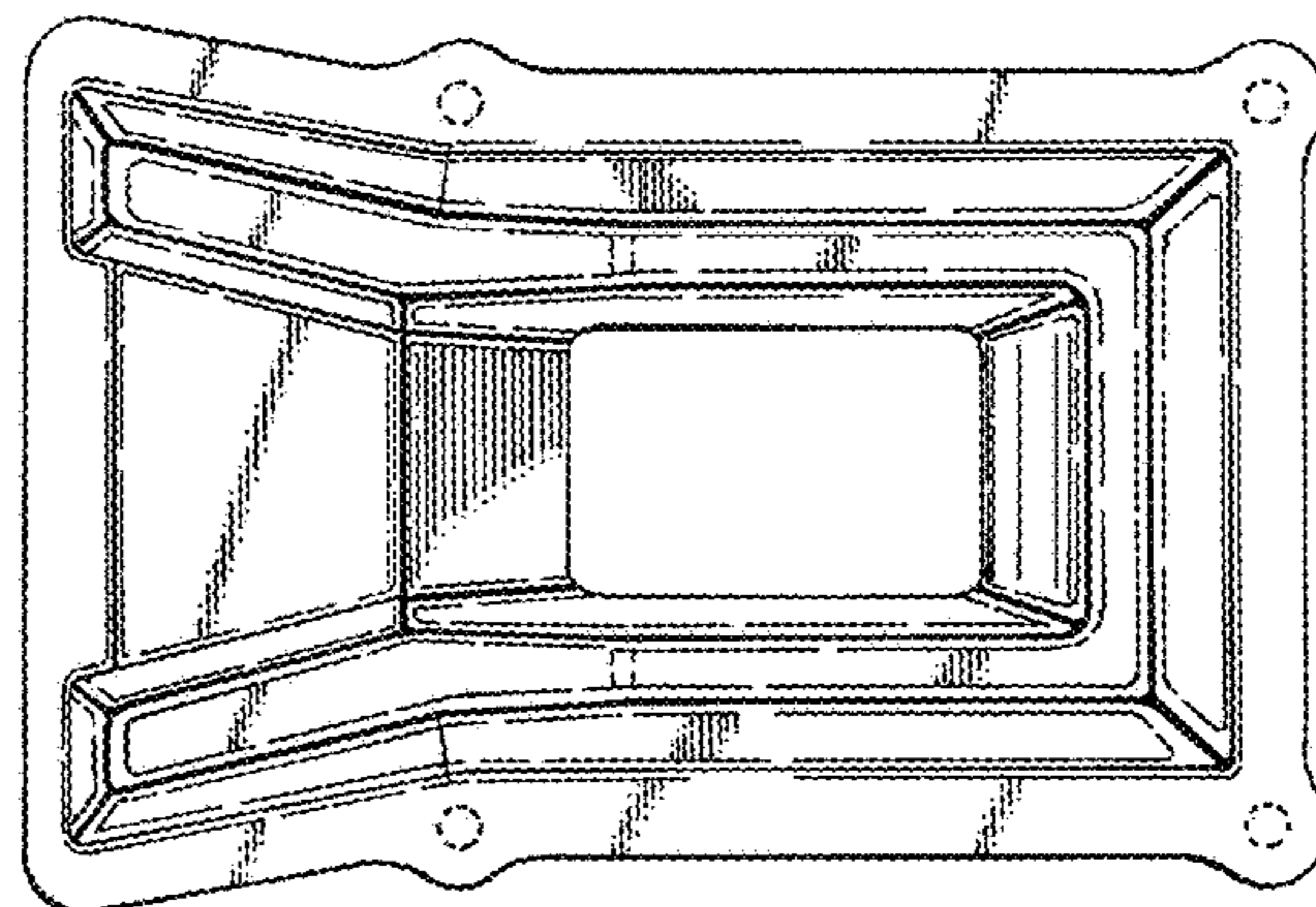
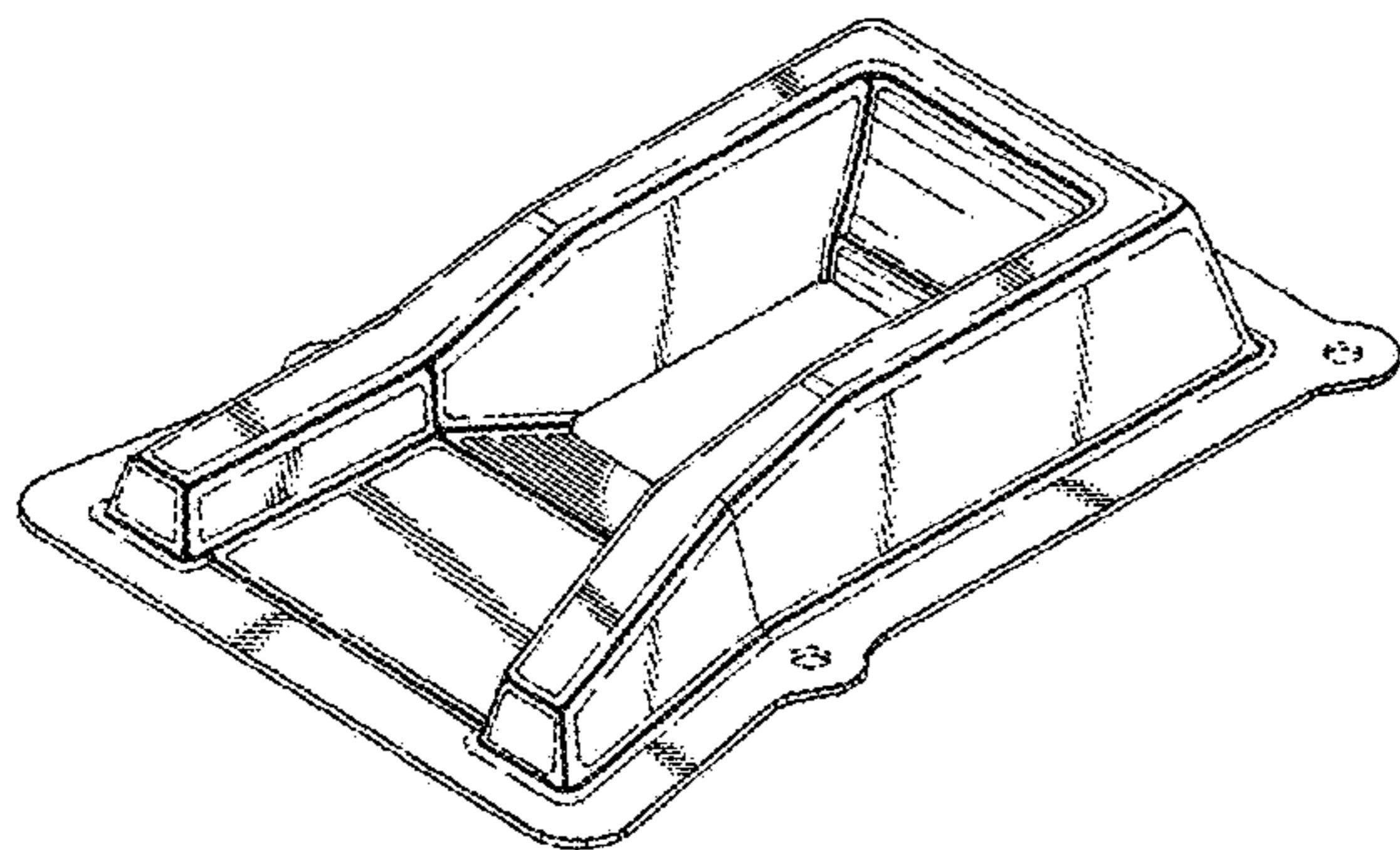
FIG. 5 is a left side elevation view of the caster wheel lock of FIG. 1;

FIG. 6 is a front elevation view of the caster wheel lock of FIG. 1; and,

FIG. 7 is a rear elevation view of the caster wheel lock of FIG. 1.

The dash-dash broken lines in the drawings are for the purpose of illustrating portions of the caster wheel lock that form no part of the claimed design. The dot-dot-dash broken lines in the drawings are for the purpose of illustrating the boundary of the claimed design, and form no part of the claimed design.

1 Claim, 3 Drawing Sheets



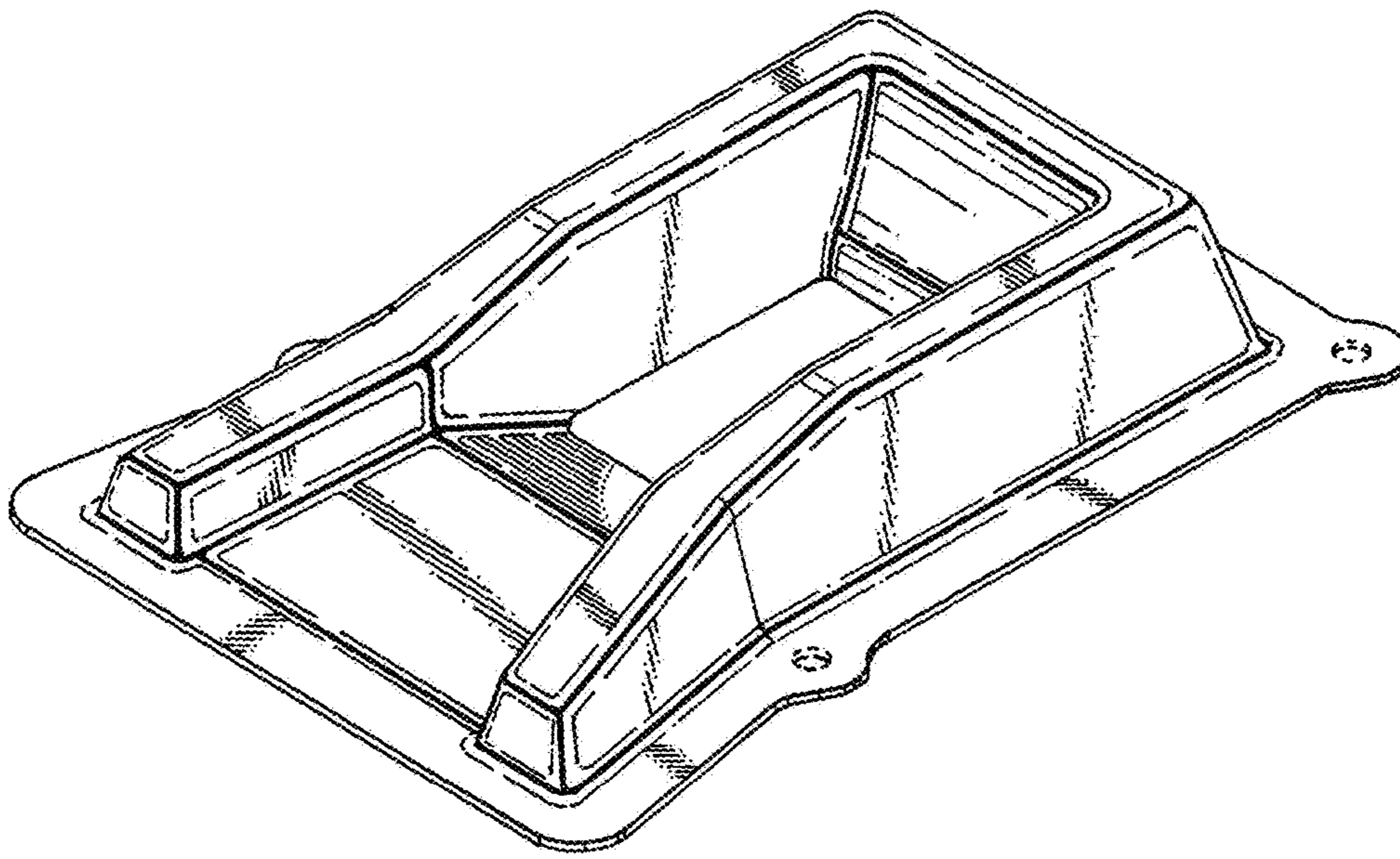


Fig. 1

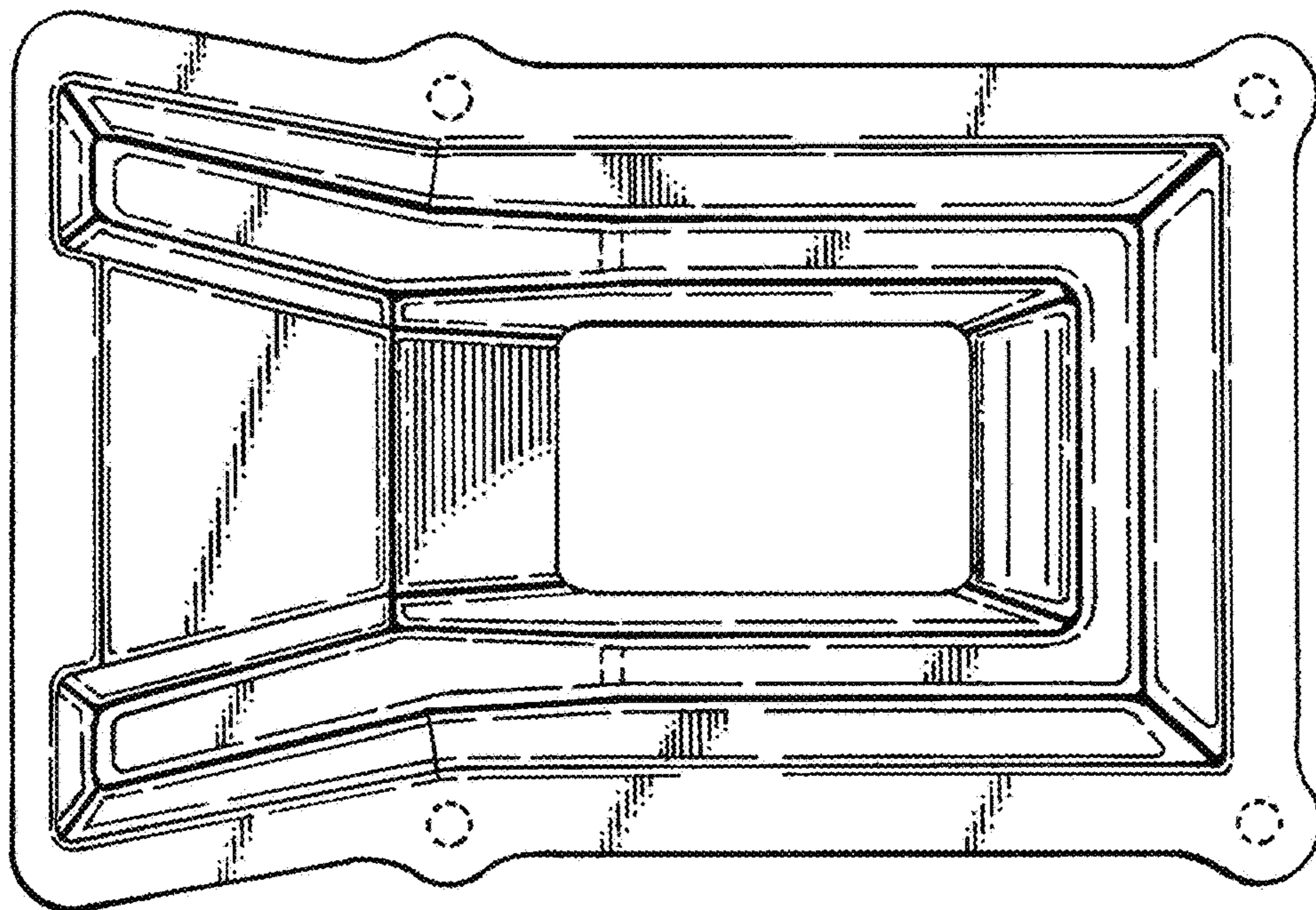


Fig. 2

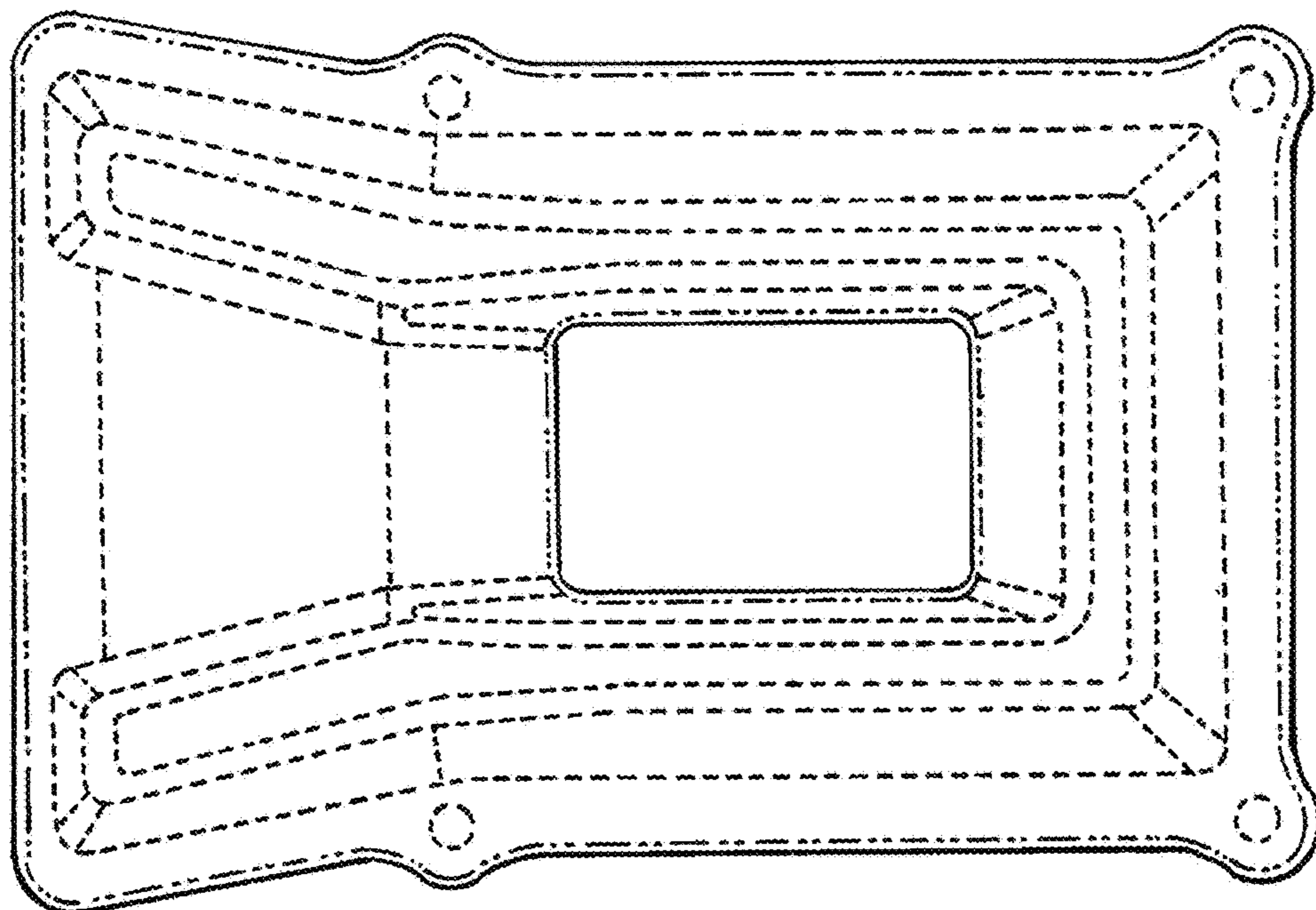


Fig. 3

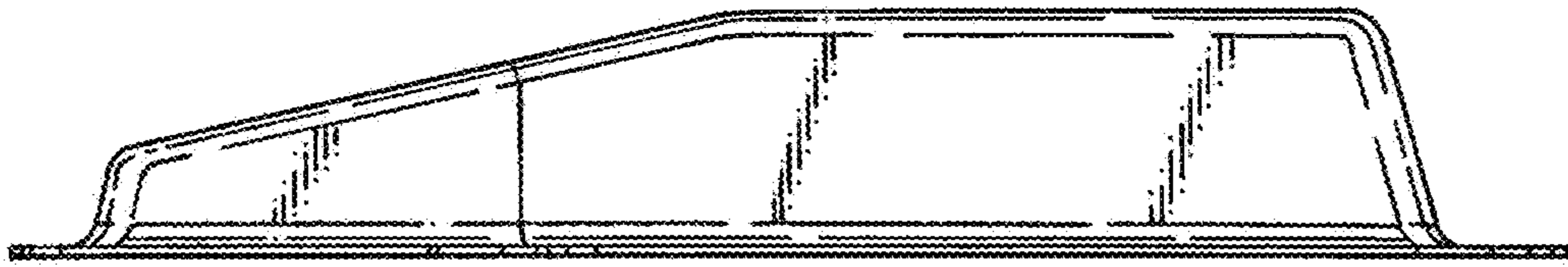


Fig. 4

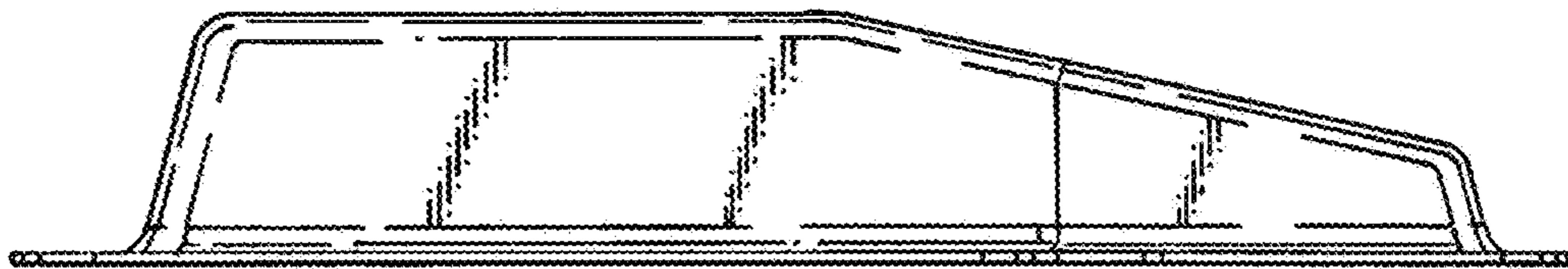


Fig. 5

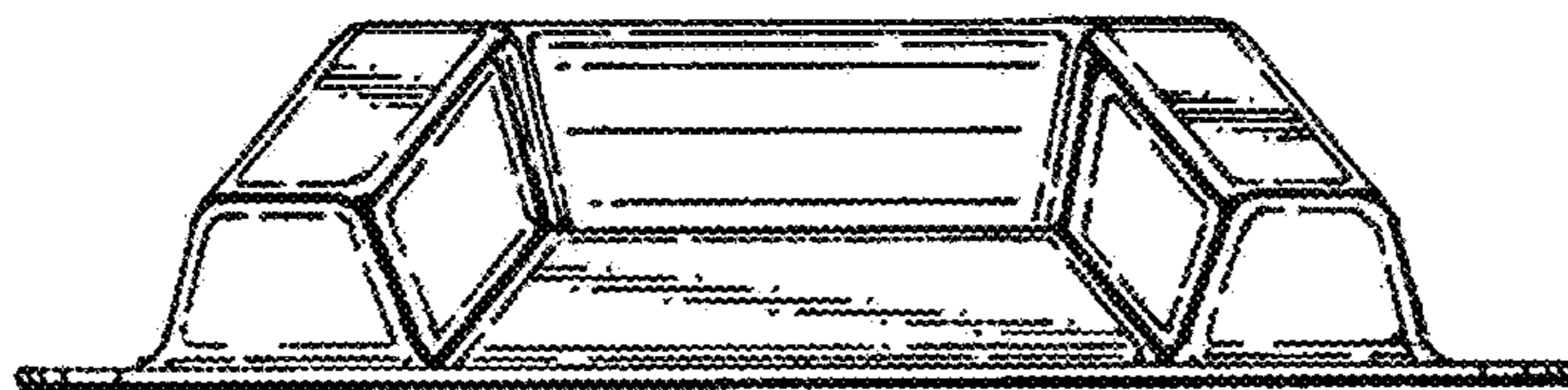


Fig. 6

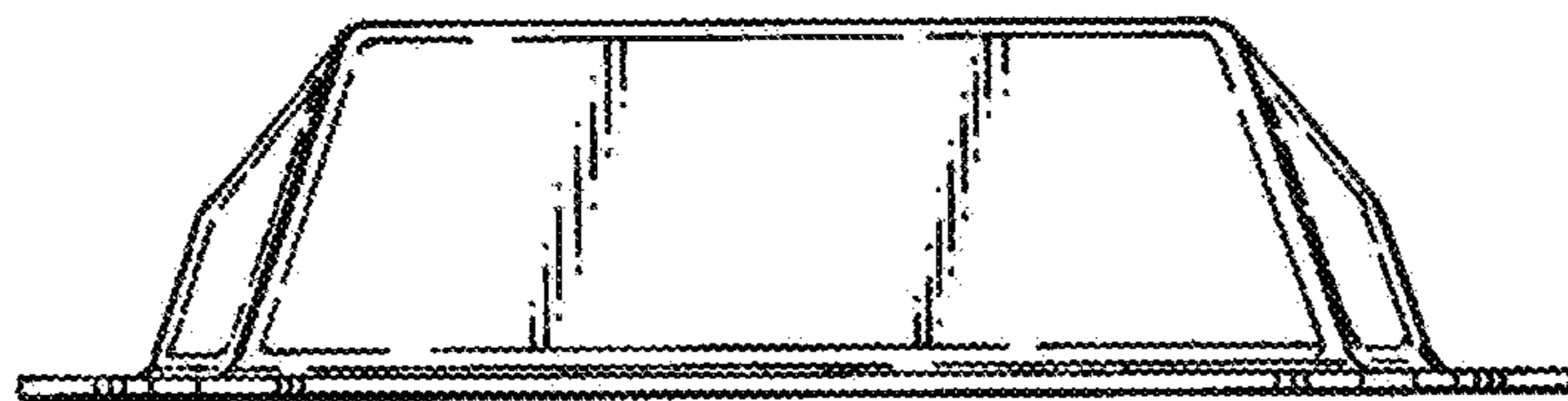


Fig. 7