



US00D817159S

(12) **United States Design Patent** (10) **Patent No.:** **US D817,159 S**
Tunney (45) **Date of Patent:** **** May 8, 2018**

(54) **KEYCHAIN HANGER**
(71) Applicant: **Michael Tunney**, Mount Prospect, IL (US)
(72) Inventor: **Michael Tunney**, Mount Prospect, IL (US)
(73) Assignee: **Curv Brands, LLC**, Elk Grove Village, IL (US)
(**) Term: **15 Years**

2011/0303433 A1 12/2011 Wagner
2013/0240470 A1 9/2013 Huang
2014/0217250 A1 8/2014 Huynh

FOREIGN PATENT DOCUMENTS

AU 2012361167 A1 7/2014
DE 2025873 A1 12/1971
EP 2737831 A1 6/2014
ES 2268971 A1 3/2007
GB 2502271 A 11/2013
WO WO2006116461 A2 11/2006

(21) Appl. No.: **29/533,522**
(22) Filed: **Jul. 17, 2015**
(51) **LOC (11) Cl.** **08-05**
(52) **U.S. Cl.**
USPC **D8/373**
(58) **Field of Classification Search**
USPC D8/323, 354, 355, 376, 373, 371, 370,
D8/372, 363, 365; D6/323, 550, 557,
D6/556, 558, 563, 565
CPC A47H 1/142; A47H 1/122; A47H 13/01;
A47H 1/022; A47H 1/102; A47H 1/02;
A47H 2023/003; A47H 1/14; A47H 1/00;
A47H 2001/006; A47H 2001/021; A47H
2001/0215
See application file for complete search history.

OTHER PUBLICATIONS

KeyCatch posted on This is why I am Broke on unknown date by unknown found on Sep. 27, 2017 at <https://www.thisiswhyimbroke.com/key-holder-light-switch-magnet/>.
Easy Grip Jumbo Pegs posted by MissLauraC on May 2, 2013 found on Sep. 27, 2017 at http://www.lakeshorelearning.com/product/productDet.jsp?productId=1%2C689%2C949%2C371%2C897%2C344&ASSORTMENT%3C%3East_id=1408474395181113&bmUID=1506554961014.

(Continued)

Primary Examiner — Robert M. Spear
Assistant Examiner — Eliza Z Bennett-Hattan
(74) *Attorney, Agent, or Firm* — Maxwell J. Petersen;
Lewis Brisbois Bisgaard & Smith LLP

(56) **References Cited**

U.S. PATENT DOCUMENTS

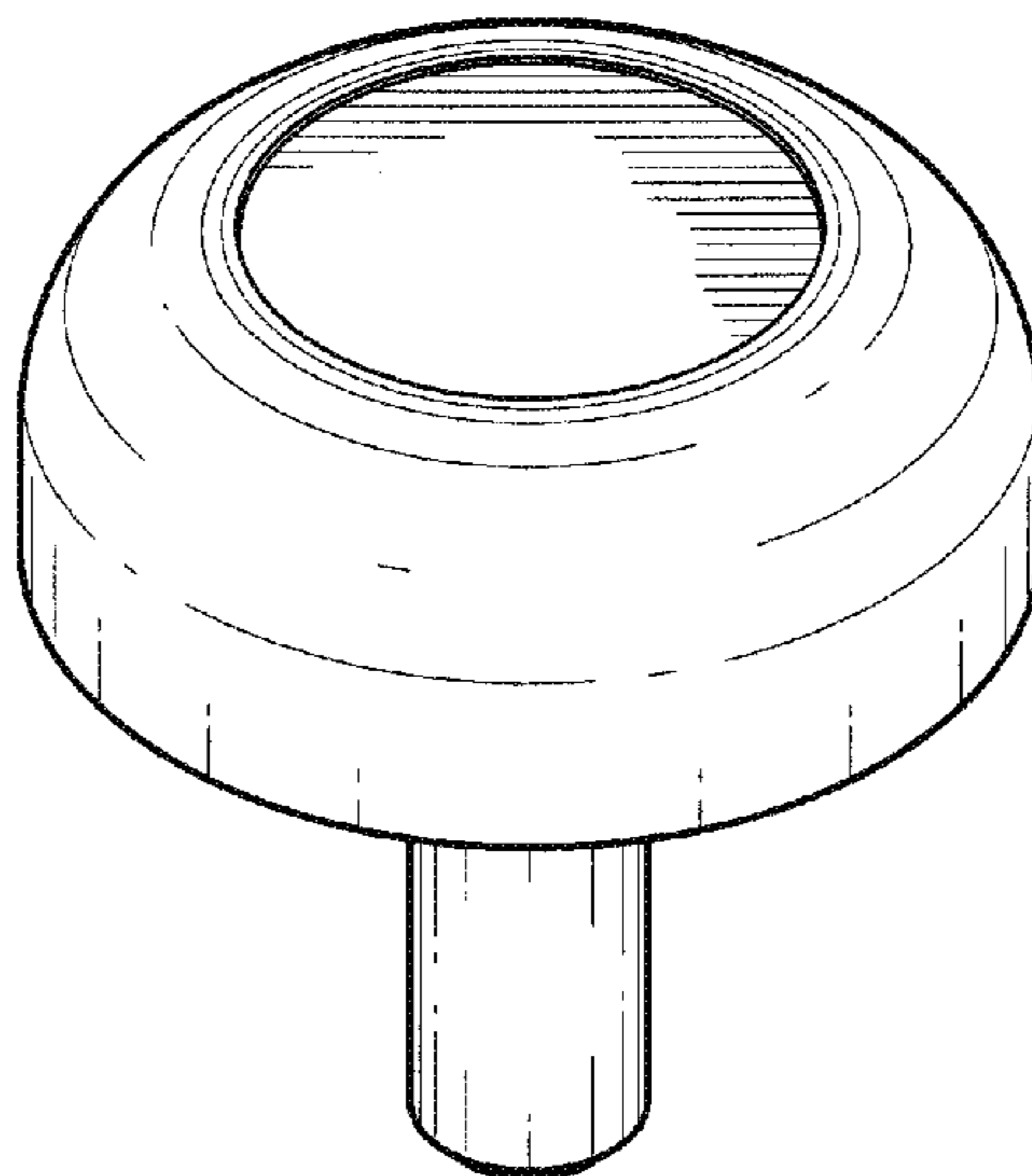
3,113,996 A 12/1963 Sanford
4,339,045 A 7/1982 Bodin
6,130,384 A 10/2000 Esteves et al.
7,067,737 B2 6/2006 Mallen
7,071,414 B2 7/2006 Kim
7,209,021 B2 4/2007 Clement
D653,522 S 2/2012 Anzalone et al.
8,247,693 B2 8/2012 Gober
2005/0255785 A1 11/2005 Ridge et al.

(57) **CLAIM**
The ornamental design for a keychain hanger, as shown and described.

DESCRIPTION

FIG. 1 is a perspective view showing the keychain hanger of the invention.
FIG. 2 is a front view of the keychain hanger.
FIG. 3 is a top view of the keychain hanger; and,
FIG. 4 is a bottom view of the keychain hanger.

1 Claim, 2 Drawing Sheets



(56)

References Cited

OTHER PUBLICATIONS

Review of Shaker pegs posted on Dec. 20, 2012 by “n” found on Sep. 27, 2017 at https://www.amazon.com/Darice-9119-26-Unfinished-Natural-10-Pieces/product-reviews/B0054G5JJ2/ref=cm_cr_getr_d_paging_btm_5?ie=UTF8

&reviewerType=avp_only_reviews&sortBy=recent
&pageNumber=5.*

Pot Magnets posted by Wonkee Donkee Tools on unknown date found on Sep. 27, 2017 at <https://www.wonkeedonkeetools.co.uk/magnets-pot/what-is-a-stud-pot-magnet/>.*

Axel Pegs posted by Cindocoon Feb. 29, 2012 found on Sep. 27, 2017 at <https://www.amazon.com/Axle-Pegs-Diameter-Maple-8-piece/dp/B00H2AJ34K>.*

Instructablesar—Blog Post, “Car Key Magntic Switch Plate Hook”, available at <http://www.instructables.com/id/Car-key-magnetic-switch-plate-hook/?ALLSTEPS>, printed Jun. 2, 2015.

Switch Hooks LLC, “Switch Hooks”, available at <http://www.gearjournal.com/2011/04/switch-hooks/>, printed Jun. 2, 2015.

Apartment Therapy, “Stay Organized: Switch Entry Caddy” available at <http://www.apartmenttherapy.com/stay-organized-105340>, printed Jun. 2, 2015.

* cited by examiner

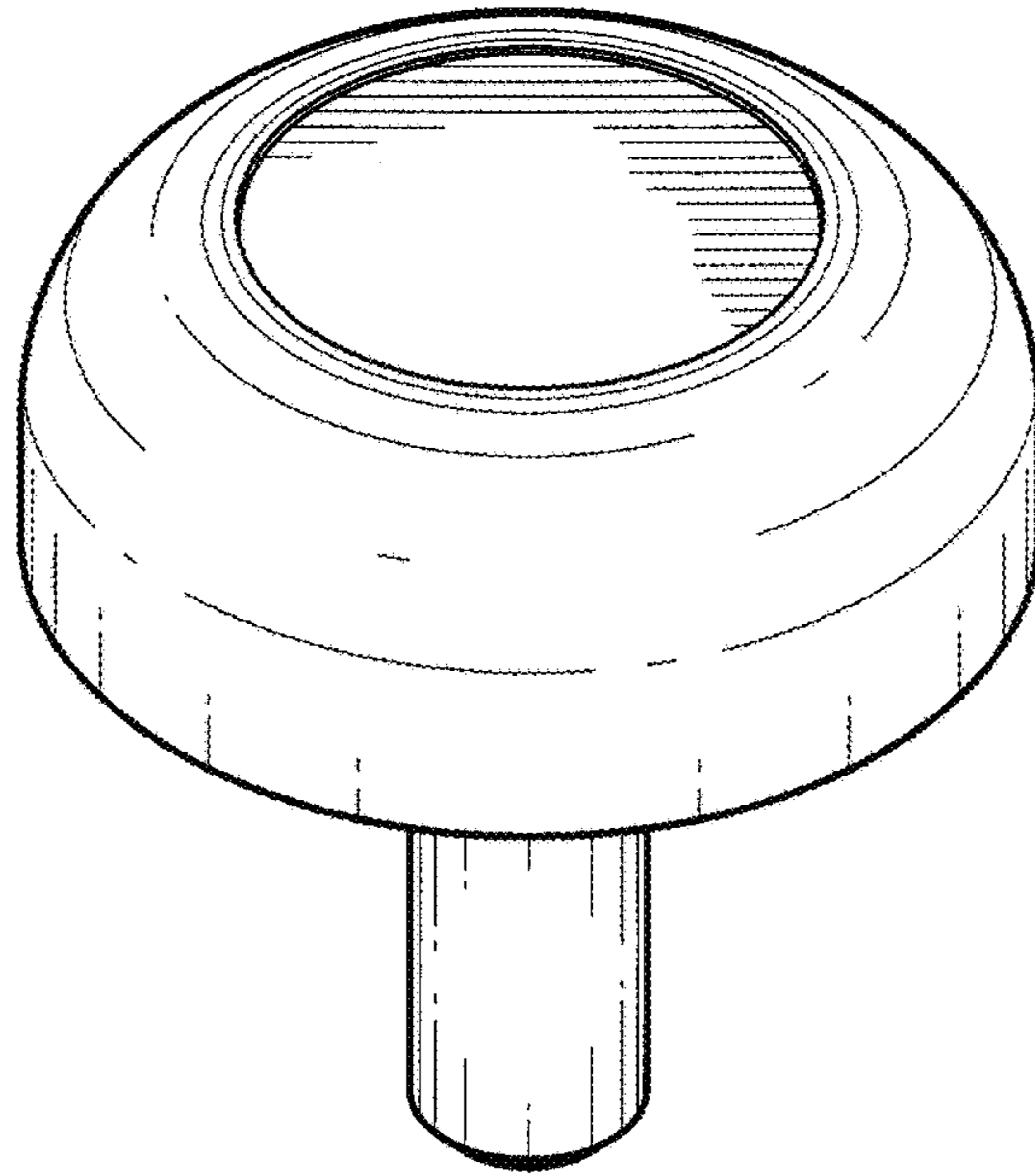


FIG. 1

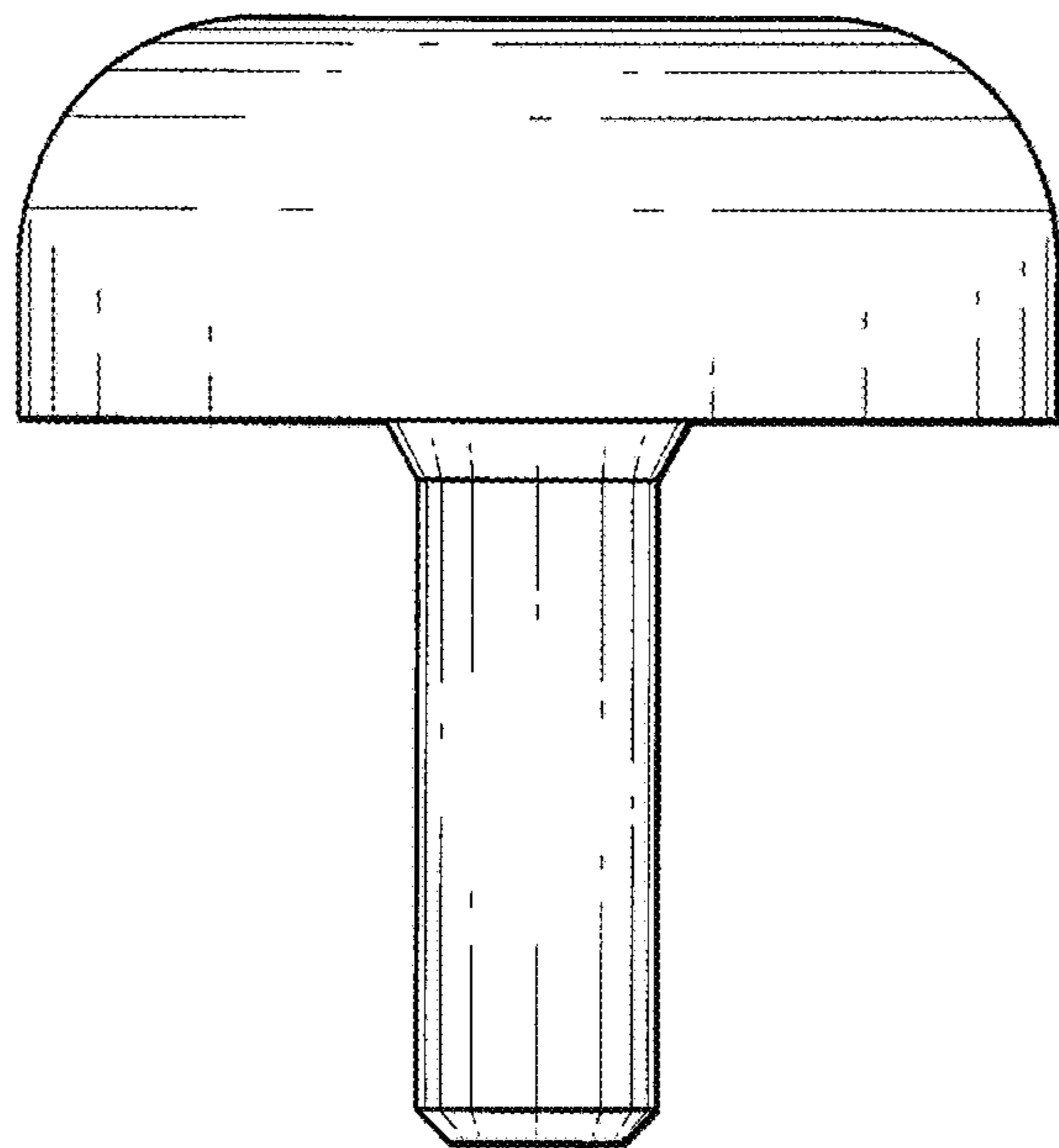


FIG. 2

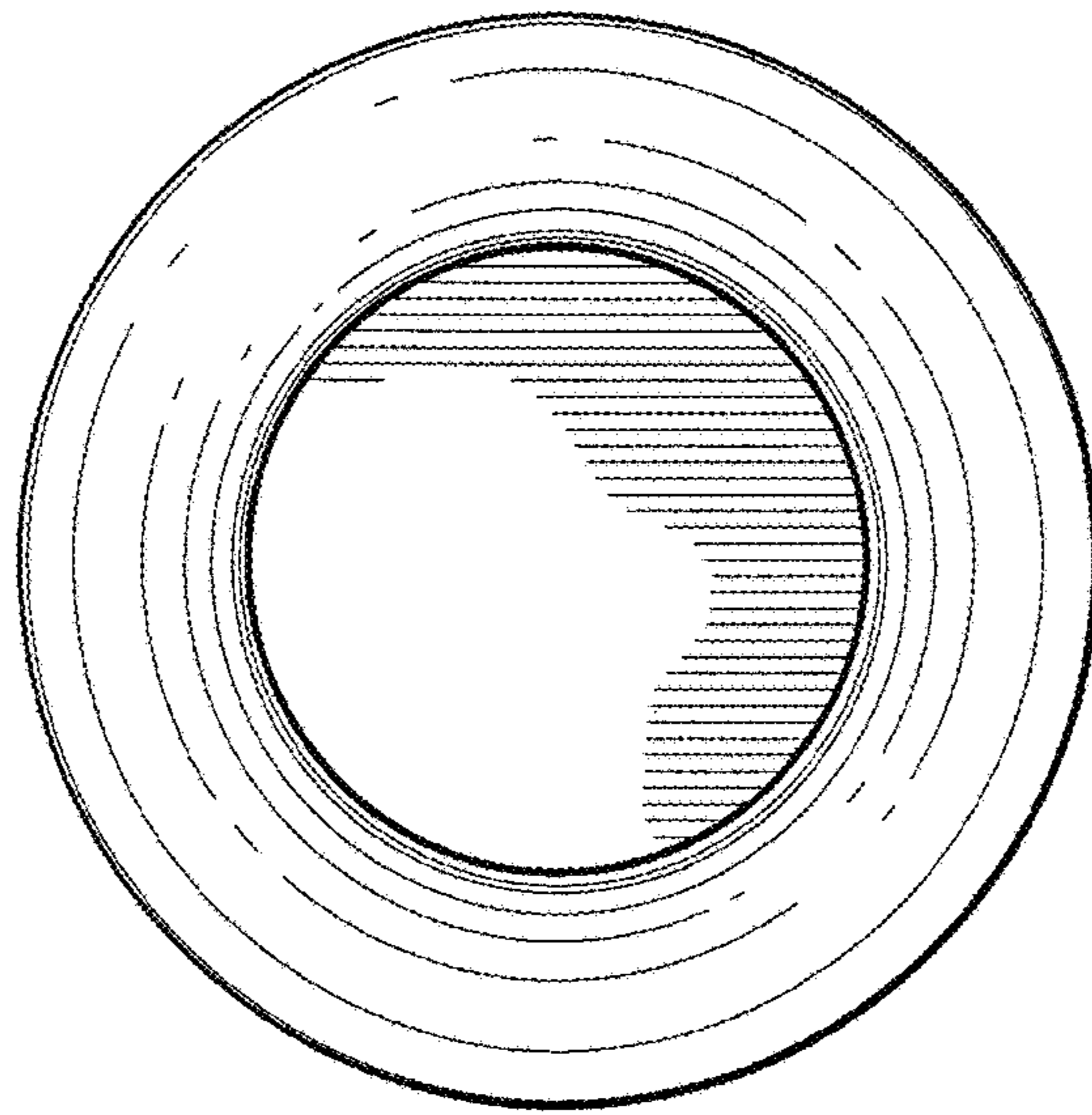


FIG. 3

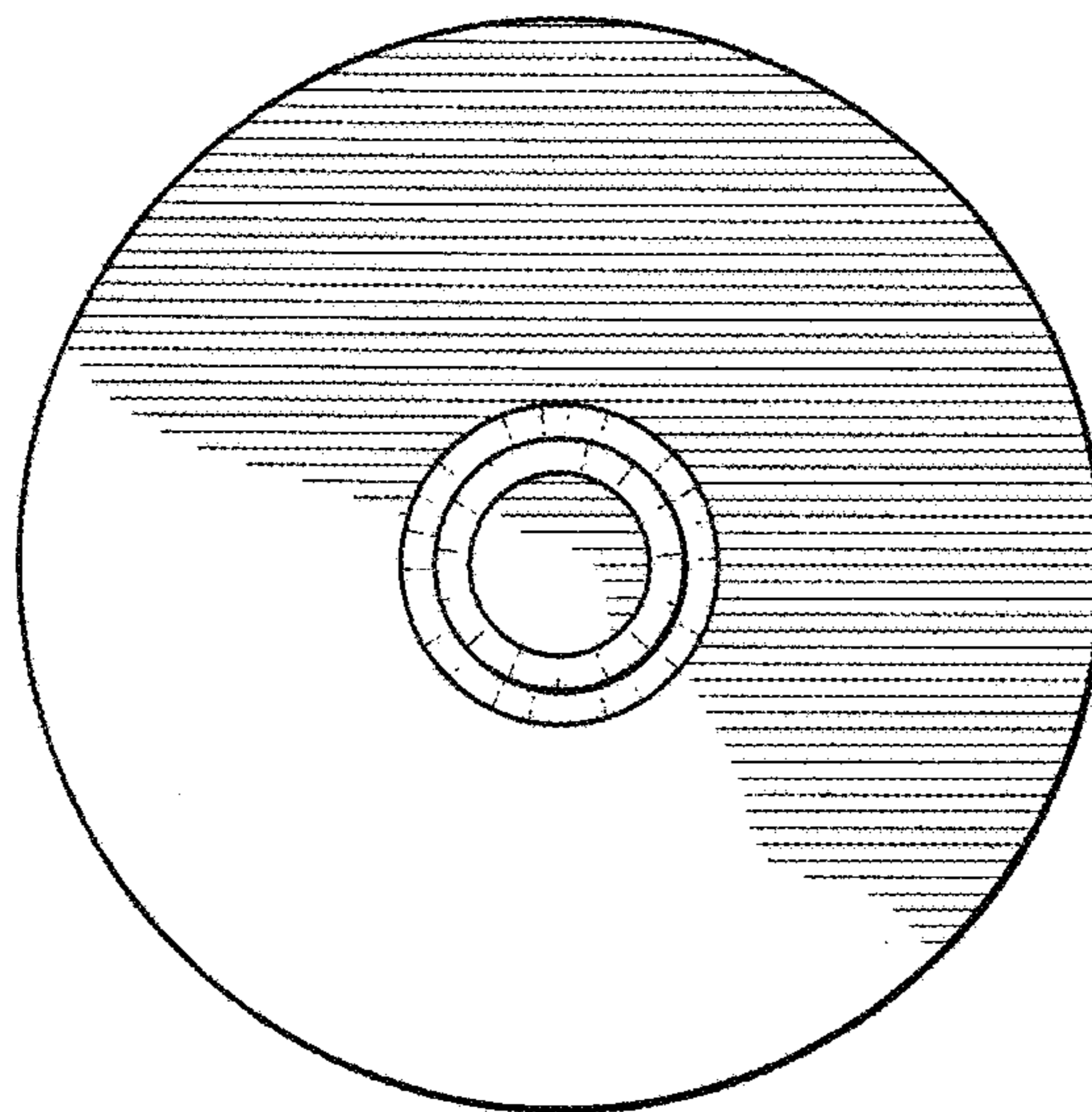


FIG. 4