



US00D817157S

(12) **United States Design Patent**
Mehr et al.

(10) **Patent No.:** **US D817,157 S**
(45) **Date of Patent:** **** May 8, 2018**

(54) **CABLE HOOK**

(71) Applicant: **Angehrn AG Umformtechnik,**
Degersheim (CH)

(72) Inventors: **Christian Mehr,** Kuessnacht SZ (CH);
Erwin Bisang, Huenenberg (CH)

(73) Assignee: **Angehrn AG Umformtechnik,**
Degersheim (CH)

(**) Term: **15 Years**

(21) Appl. No.: **29/593,916**

(22) Filed: **Feb. 14, 2017**

(30) **Foreign Application Priority Data**

Aug. 15, 2016 (CH) 142579

(51) **LOC (11) Cl.** **08-05**

(52) **U.S. Cl.**
USPC **D8/367**

(58) **Field of Classification Search**
USPC D8/367, 354, 349, 394, 372; D6/323,
D6/320, 324
CPC F16L 3/13; F16L 3/26; A47G 23/0225;
A47G 25/06; A47G 1/16; A47G 25/0607;
A47G 1/17; A47F 5/0846; A47F 5/02;
H02G 11/003; D06F 55/00; E04H 17/10;
A47K 10/04

See application file for complete search history.

(56) **References Cited**

U.S. PATENT DOCUMENTS

3,356,366 A 12/1967 Barthel
D548,045 S * 8/2007 Heppner D8/343
D681,440 S * 5/2013 Yu D8/396
D732,009 S * 6/2015 Bak D14/229
D749,408 S * 2/2016 Liao D8/396
9,254,407 B2 * 2/2016 Savarino A63B 21/0557
D760,583 S * 7/2016 Weilage D8/395

D766,711 S * 9/2016 Babbage D8/394
D802,403 S * 11/2017 Weng D8/367
2010/0167884 A1 * 7/2010 Kassel A63B 21/00185
482/121
2010/0231402 A1 * 9/2010 Flynt A62B 35/0025
340/679

(Continued)

FOREIGN PATENT DOCUMENTS

DE 102 26 707 A1 1/2004
DE 20 2007 019 707 U1 3/2016

(Continued)

OTHER PUBLICATIONS

<http://www.jumpsport.com/Fitness-Trampoline-Model-350>,
Jumpsport, 2009-2012, 1 page.

(Continued)

Primary Examiner — Cynthia Underwood
(74) *Attorney, Agent, or Firm* — Fay Sharpe LLP

(57) **CLAIM**

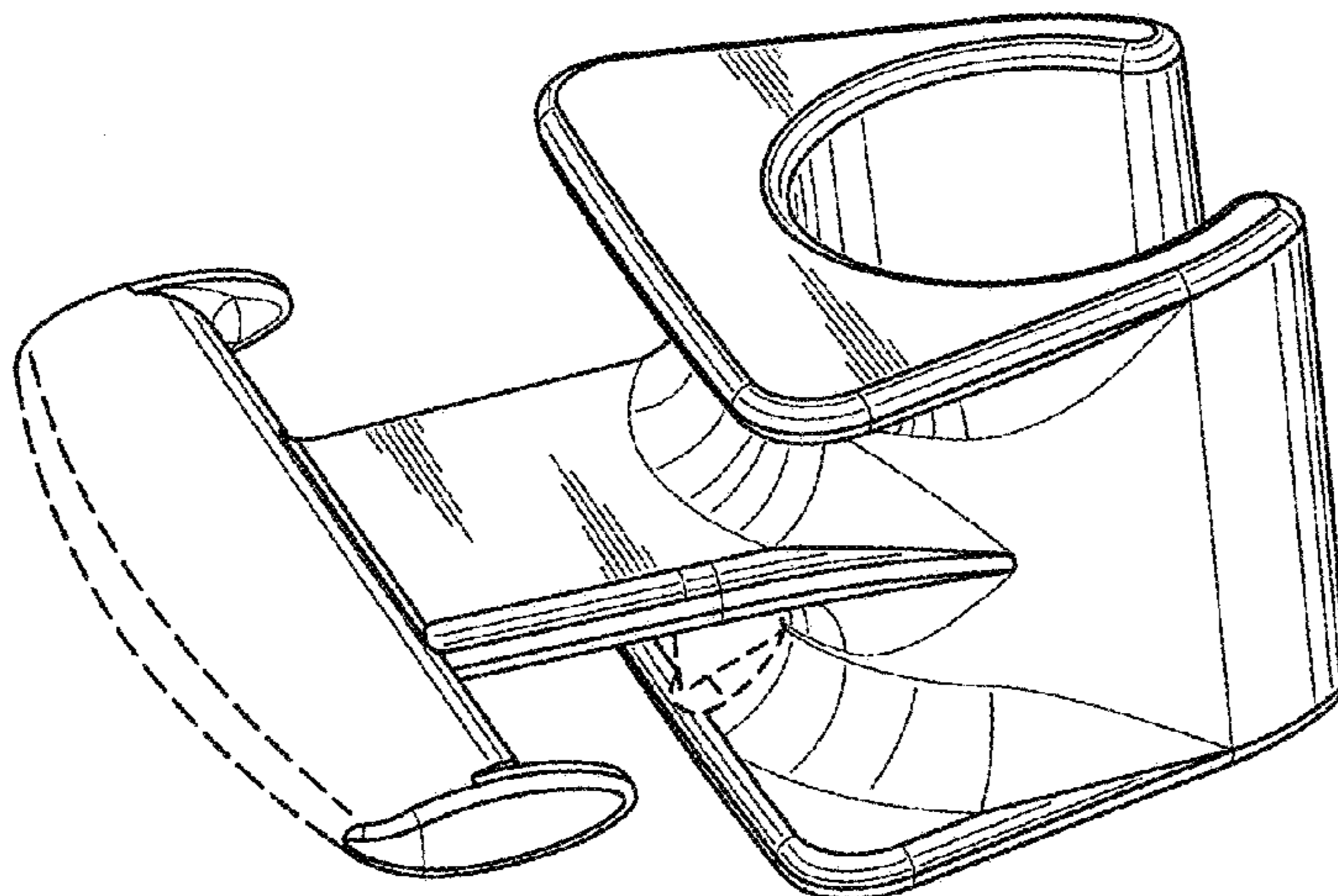
The ornamental design for a cable hook, as shown and described.

DESCRIPTION

FIG. 1 is a top perspective view of a cable hook showing our new design;
FIG. 2 is a left side elevational view thereof;
FIG. 3 is a right side elevational view thereof;
FIG. 4 is a rear elevational view thereof;
FIG. 5 is a front elevational view thereof;
FIG. 6 is a bottom plan view thereof;
FIG. 7 is a top plan view thereof; and,
FIG. 8 is a bottom perspective view thereof from a second direction.

The parts shown in broken lines in FIGS. 1-4 and 6-8 form no part of the claimed design.

1 Claim, 8 Drawing Sheets



(56)

References Cited

U.S. PATENT DOCUMENTS

2013/0014352 A1 1/2013 Wells
2013/0316876 A1 11/2013 Publicover et al.
2016/0271436 A1 9/2016 Heymans

FOREIGN PATENT DOCUMENTS

WO WO 00/09294 2/2000
WO WO 2017/191113 A1 11/2017
WO WO 2017/191119 A1 11/2017
WO WO 2017/191144 A1 11/2017

OTHER PUBLICATIONS

<https://www.hudora.de/shop/trampoline-und-zubehoer/?p=1>
Hudora, 2010-2012, 1 page.
<https://swem.ch/>, Swem, 2017, 1 page.
http://www.tutti.ch/zuerich/garten-handwerk/gartenausstattung/angebote/miami-life-fitness-trampolin_14004555.htm, Miami Life
Fitness Trampolin 2017, 1 page.

* cited by examiner

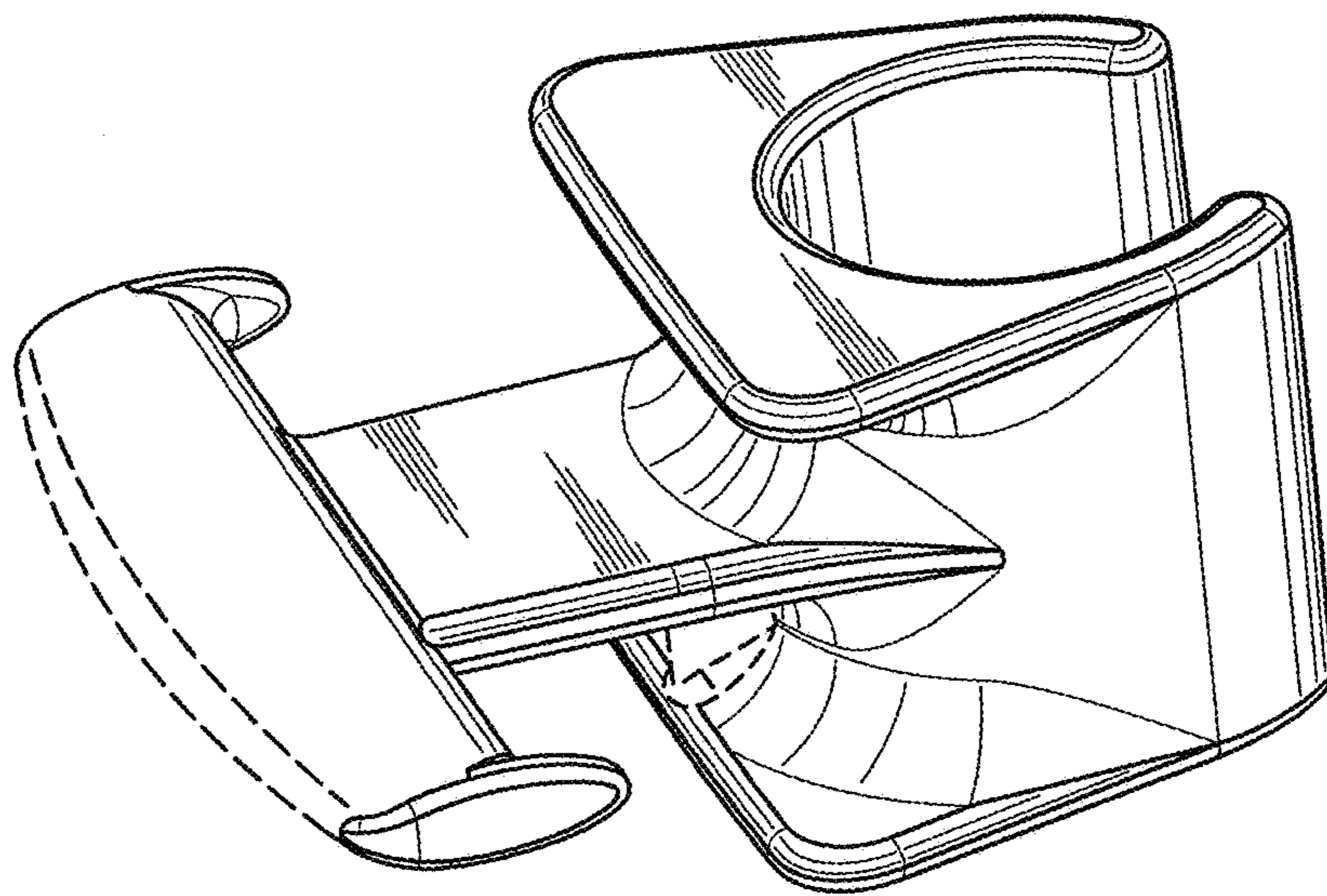


FIG. 1

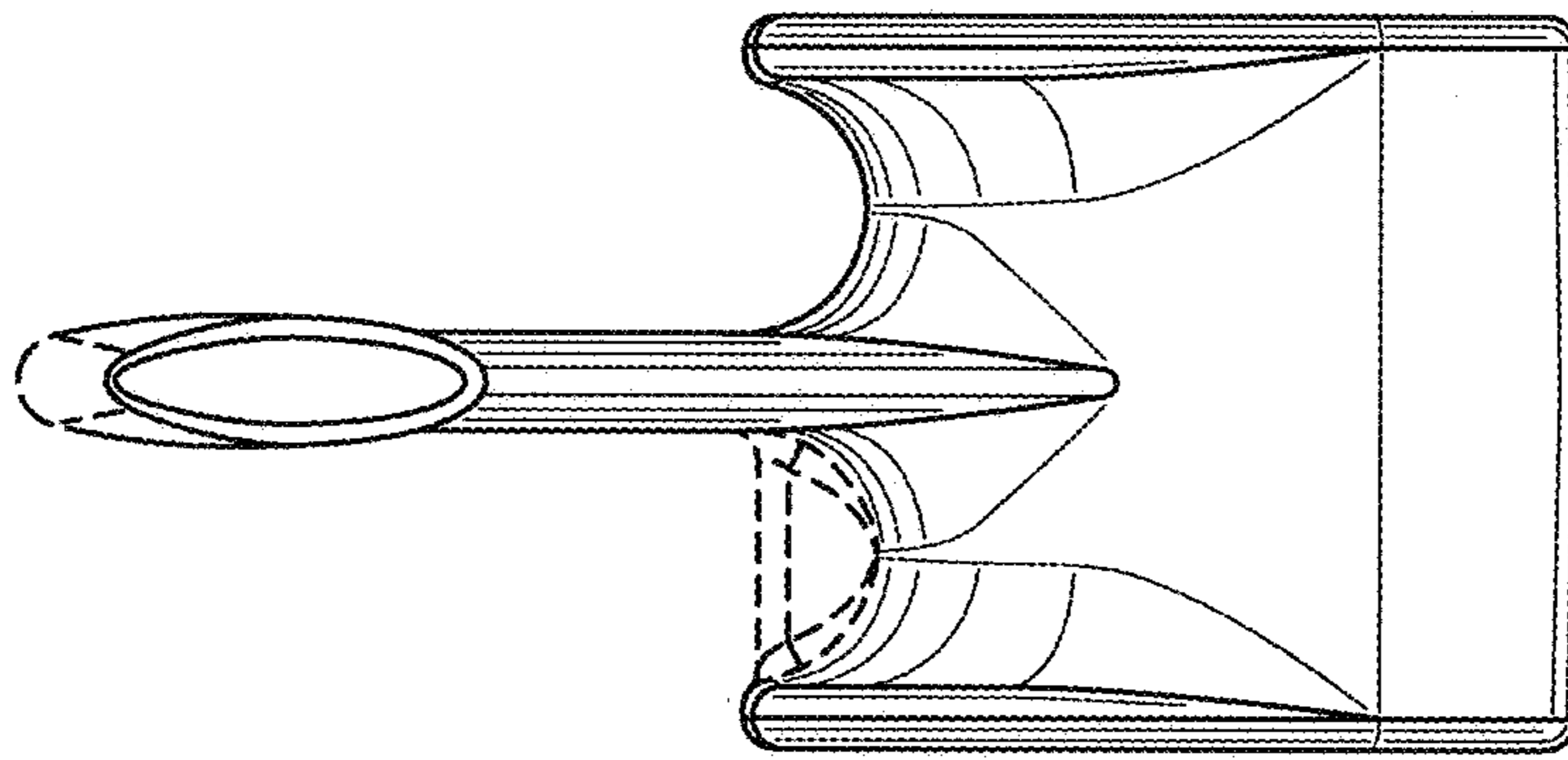


FIG. 2

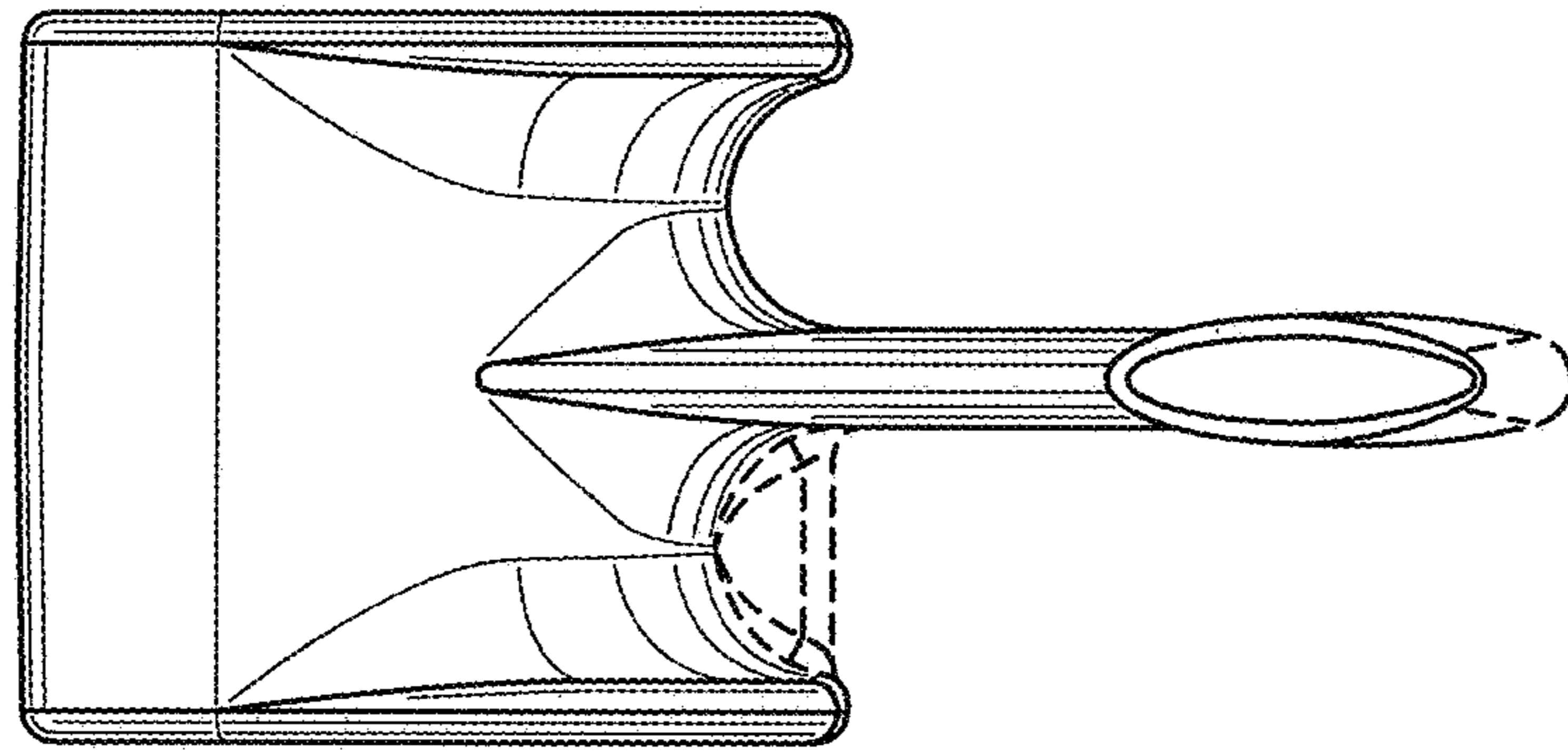


FIG. 3

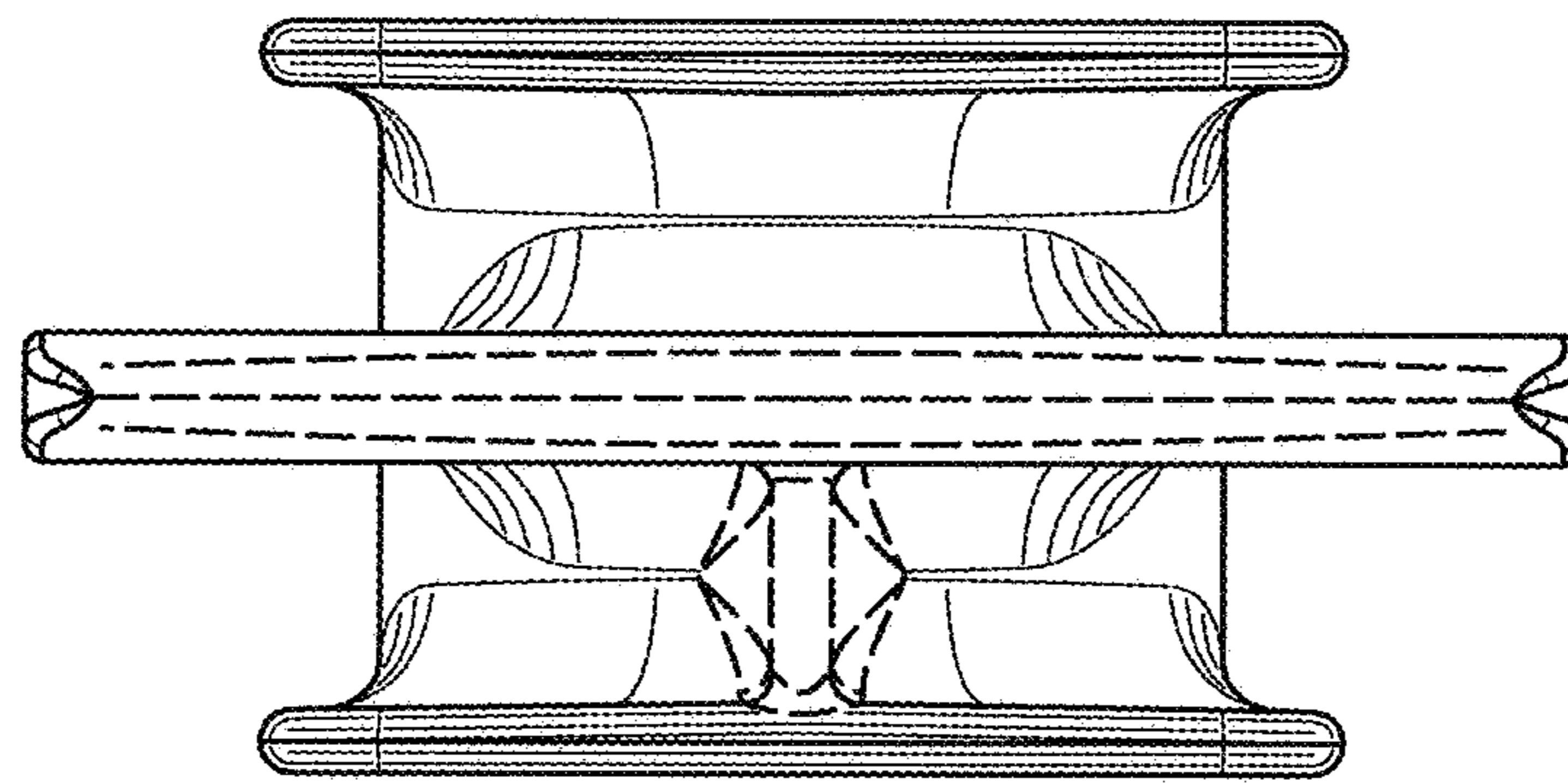


FIG. 4

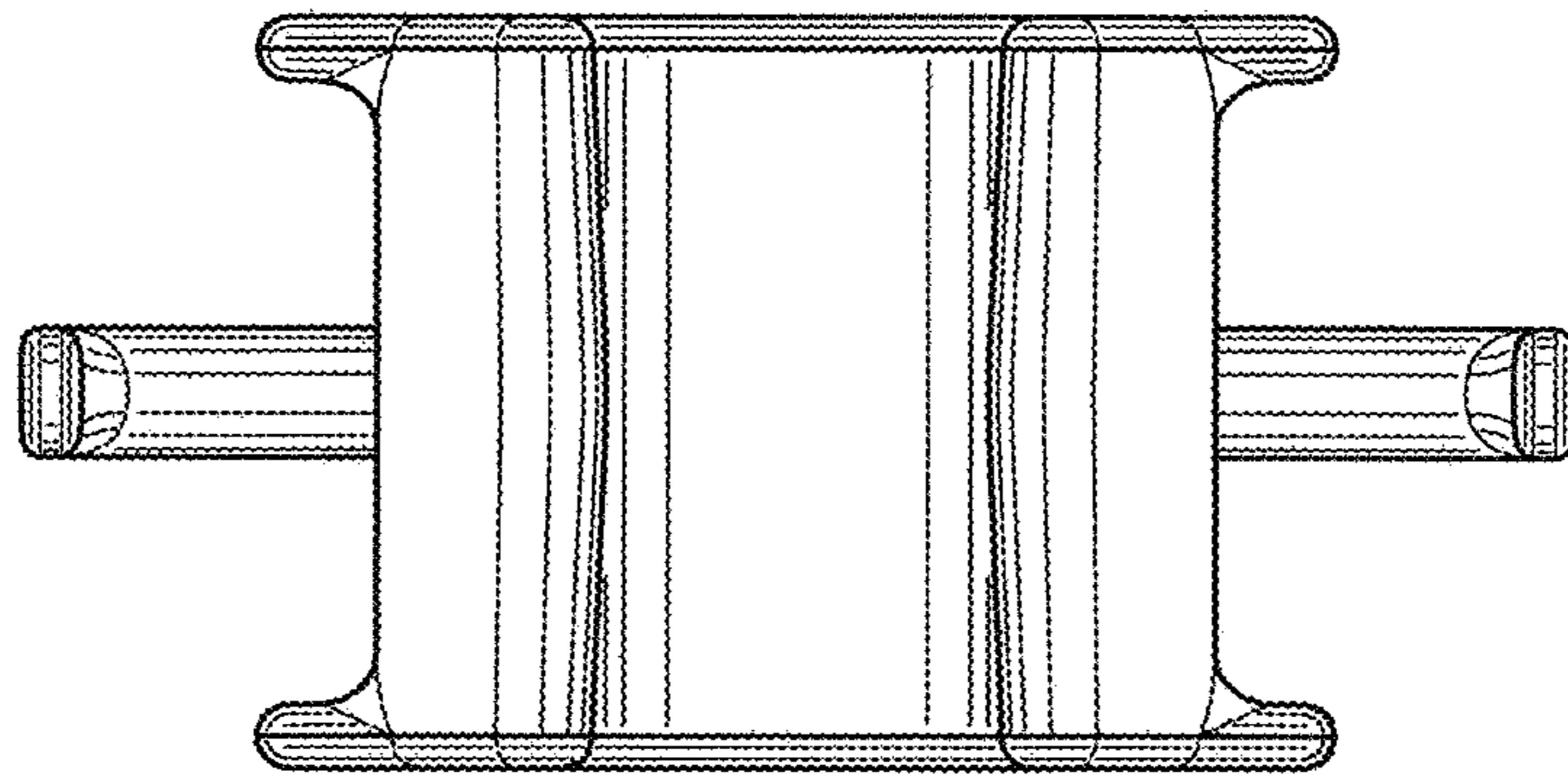


FIG. 5

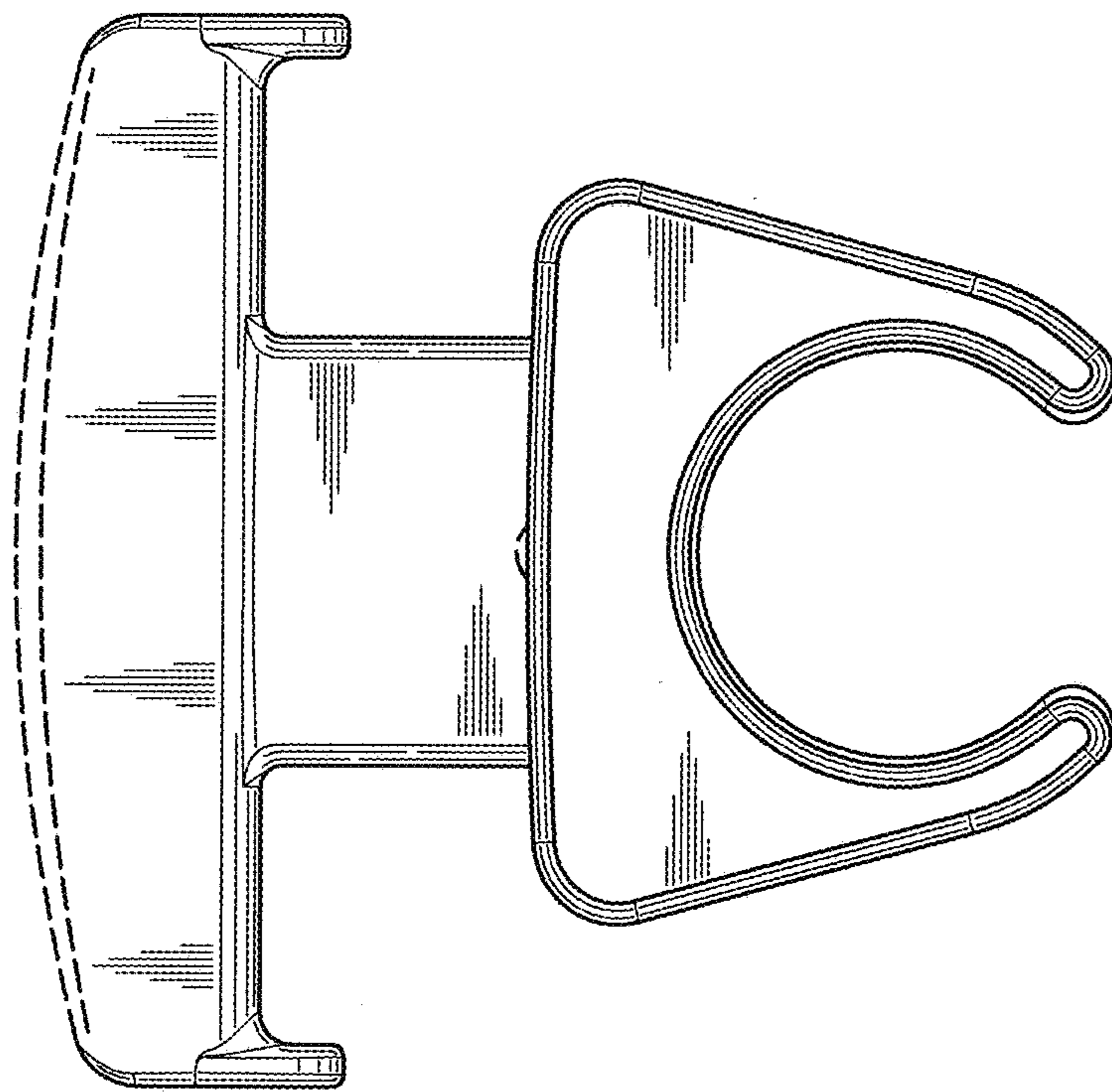


FIG. 6

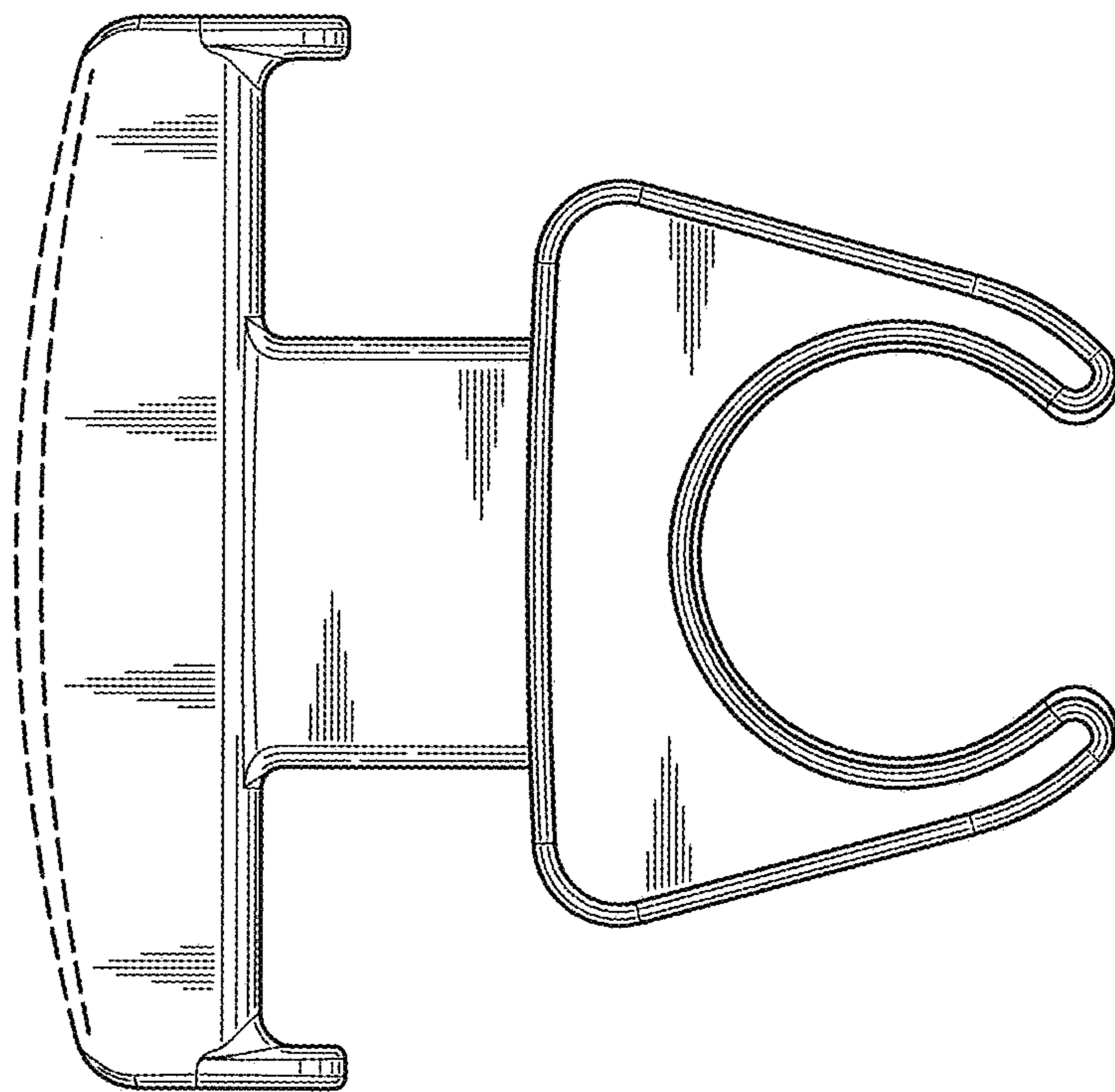


FIG. 7

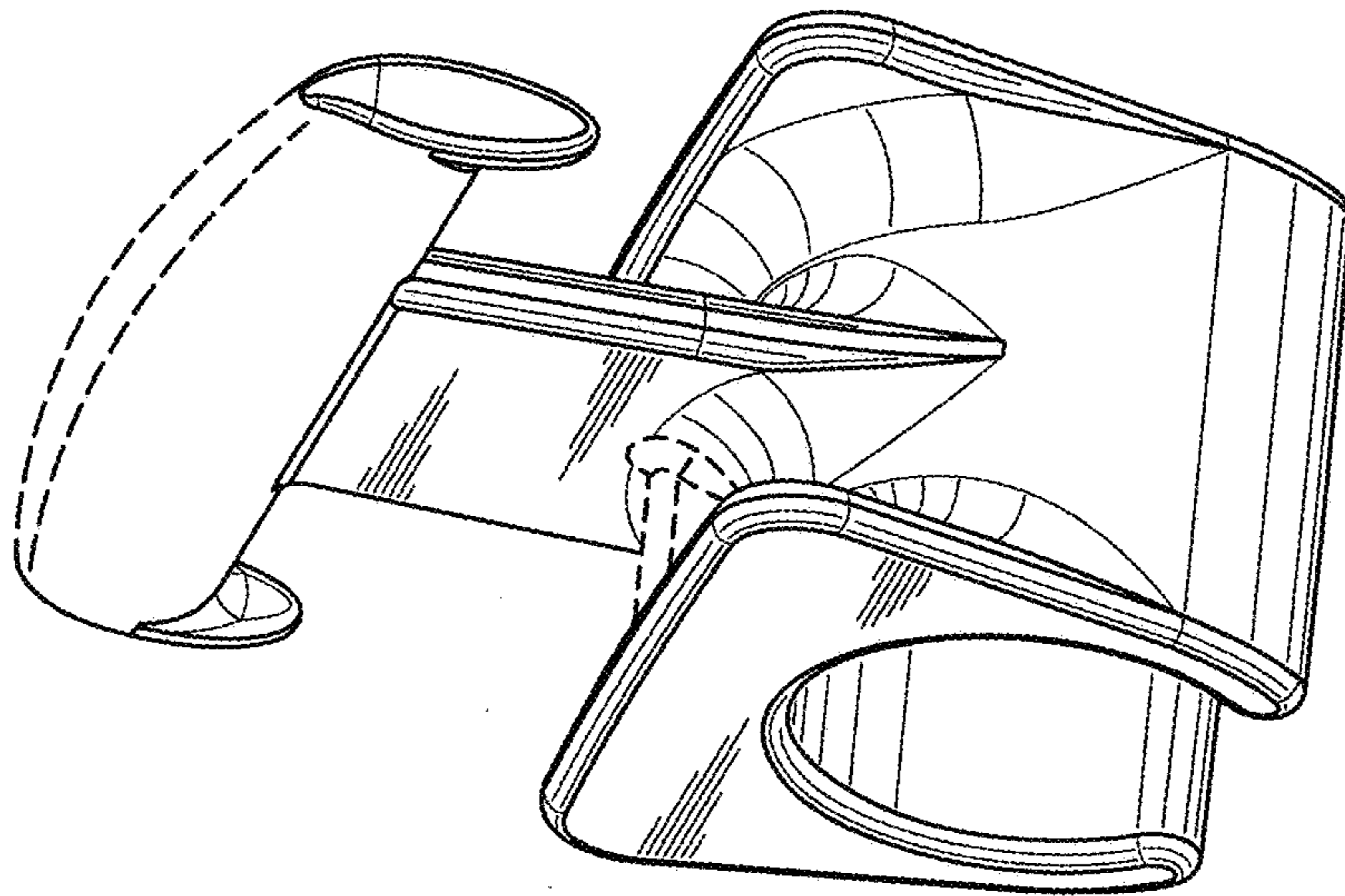


FIG. 8