



US00D817156S

(12) **United States Design Patent**  
**Thuma et al.**

(10) **Patent No.:** **US D817,156 S**

(45) **Date of Patent:** **\*\* May 8, 2018**

- (54) **HOSE REEL ENCLOSURE**
- (71) Applicant: **Suncast Technologies, LLC**, Palm Beach Gardens, FL (US)
- (72) Inventors: **Michael Thuma**, La Grange, IL (US); **Torrence Anderson**, Overland Park, KS (US); **Michael R. Vogler**, Oswego, IL (US)

D661,977 S *	6/2012	Donnelly	.....	D8/358
D702,537 S *	4/2014	Hyp	.....	D8/359
D724,414 S *	3/2015	Marshall	.....	D8/359
D734,656 S *	7/2015	Blaszczak	.....	B65H 75/40
				D8/358
D737,669 S *	9/2015	Anderson	.....	D8/359
D761,090 S *	7/2016	Anderson	.....	D8/359
D761,091 S *	7/2016	Anderson	.....	D8/359
2012/0199600 A1 *	8/2012	Anderson	.....	A47C 7/62
				220/810
2012/0227349 A1 *	9/2012	Phillips	.....	E04H 1/1205
				52/588.1

- (73) Assignee: **Suncast Technologies, LLC**, Palm Beach Gardens, FL (US)

\* cited by examiner

(\*\*) Term: **15 Years**

*Primary Examiner* — Robert M. Spear

*Assistant Examiner* — Eliza Z Bennett-Hattan

(21) Appl. No.: **29/560,616**

(74) *Attorney, Agent, or Firm* — McHale & Slavin, P.A.

(22) Filed: **Apr. 8, 2016**

(57) **CLAIM**

(51) **LOC (11) Cl.** ..... **08-05**

The ornamental design for a hose reel enclosure, as shown and described.

(52) **U.S. Cl.**

**DESCRIPTION**

USPC ..... **D8/359**

(58) **Field of Classification Search**

USPC ..... D8/74, 347, 373, 375, 380, 381, 396, D8/356, 359, 358, 360.1; D6/306, 309, D6/677

CPC . B65H 75/40; B65H 75/4407; B65H 75/4471

See application file for complete search history.

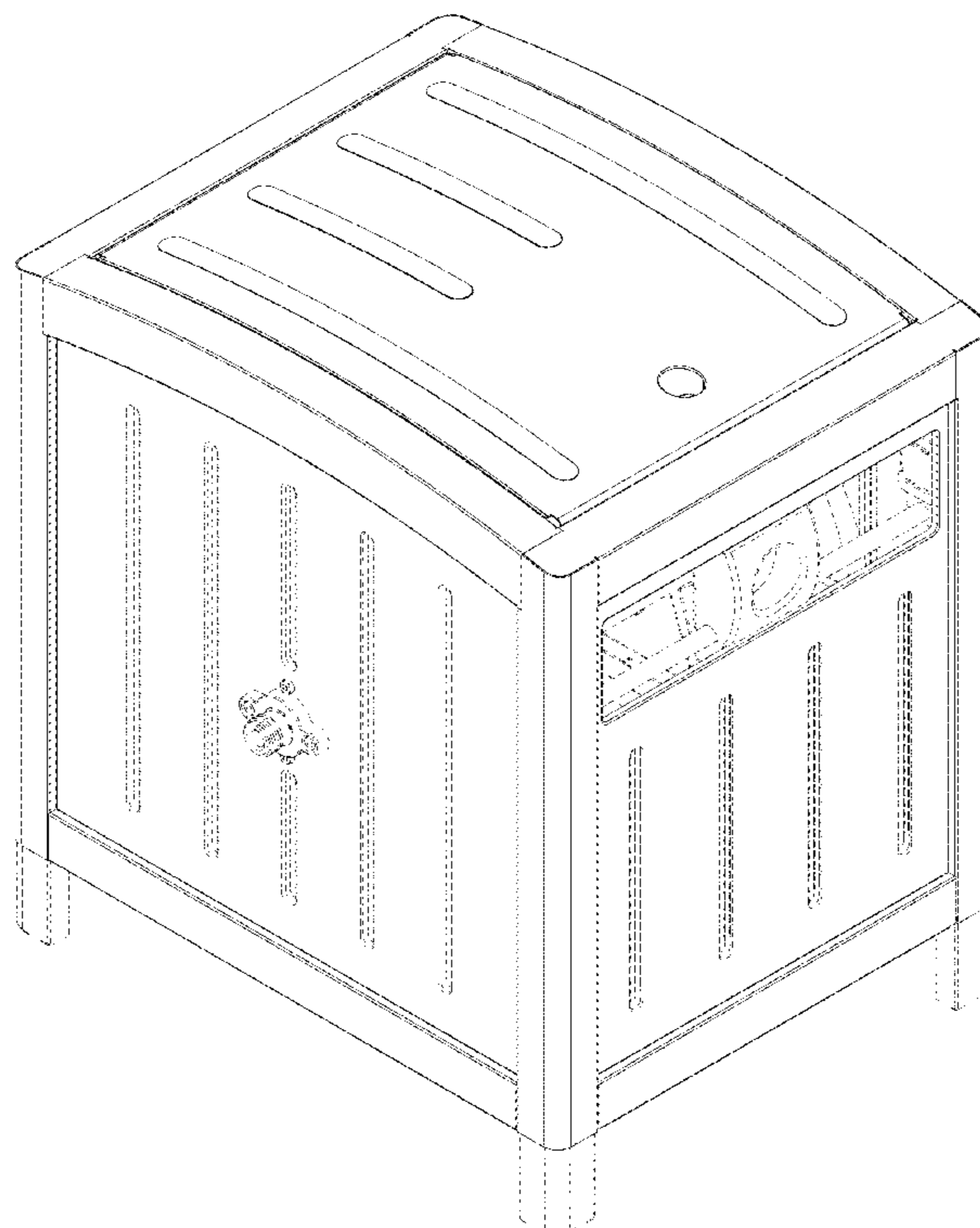
FIG. 1 is a top left perspective view of the hose reel enclosure of the present invention; FIG. 2 is a left side view thereof; FIG. 3 is a right side view thereof; FIG. 4 is a front view thereof; FIG. 5 is a rear view thereof; FIG. 6 is a top view thereof; and, FIG. 7 is a top right perspective view thereof. The portions of the hose reel enclosure illustrated in broken lines form no part of the claimed subject matter.

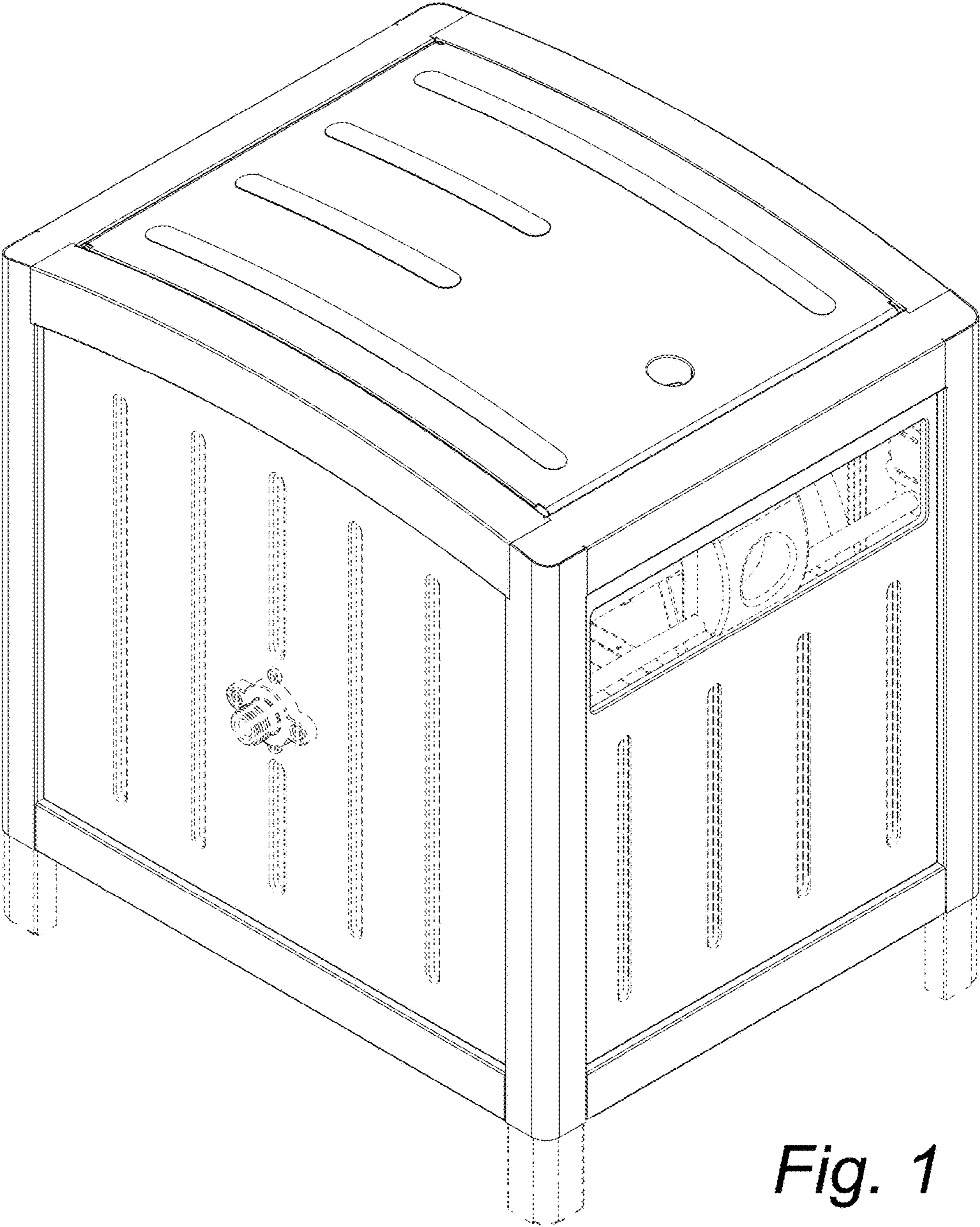
(56) **References Cited**

U.S. PATENT DOCUMENTS

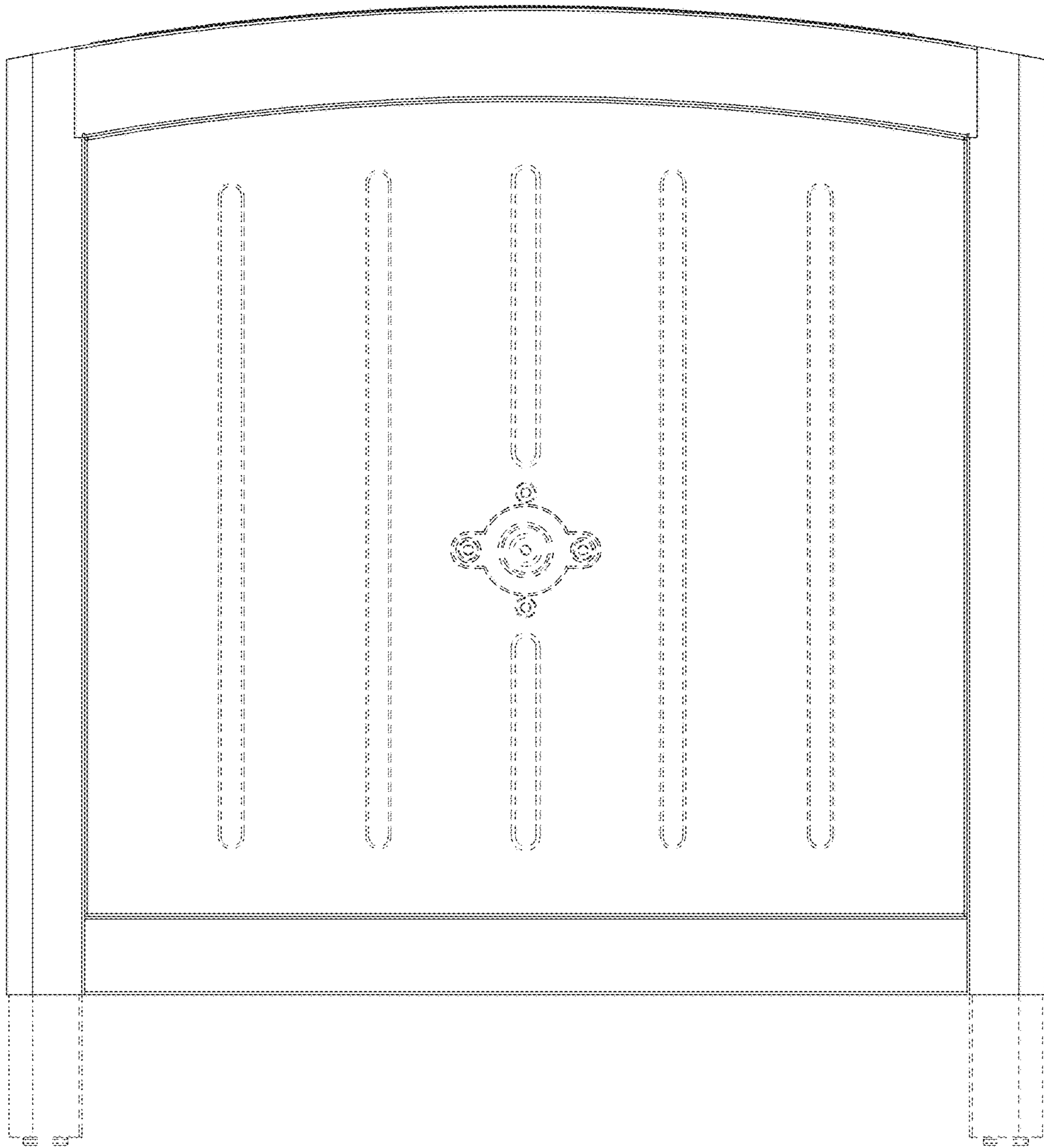
D506,123 S *	6/2005	English	.....	D8/358
D551,061 S *	9/2007	English	.....	D8/359
D661,571 S *	6/2012	Vogler	.....	D8/358

**1 Claim, 7 Drawing Sheets**

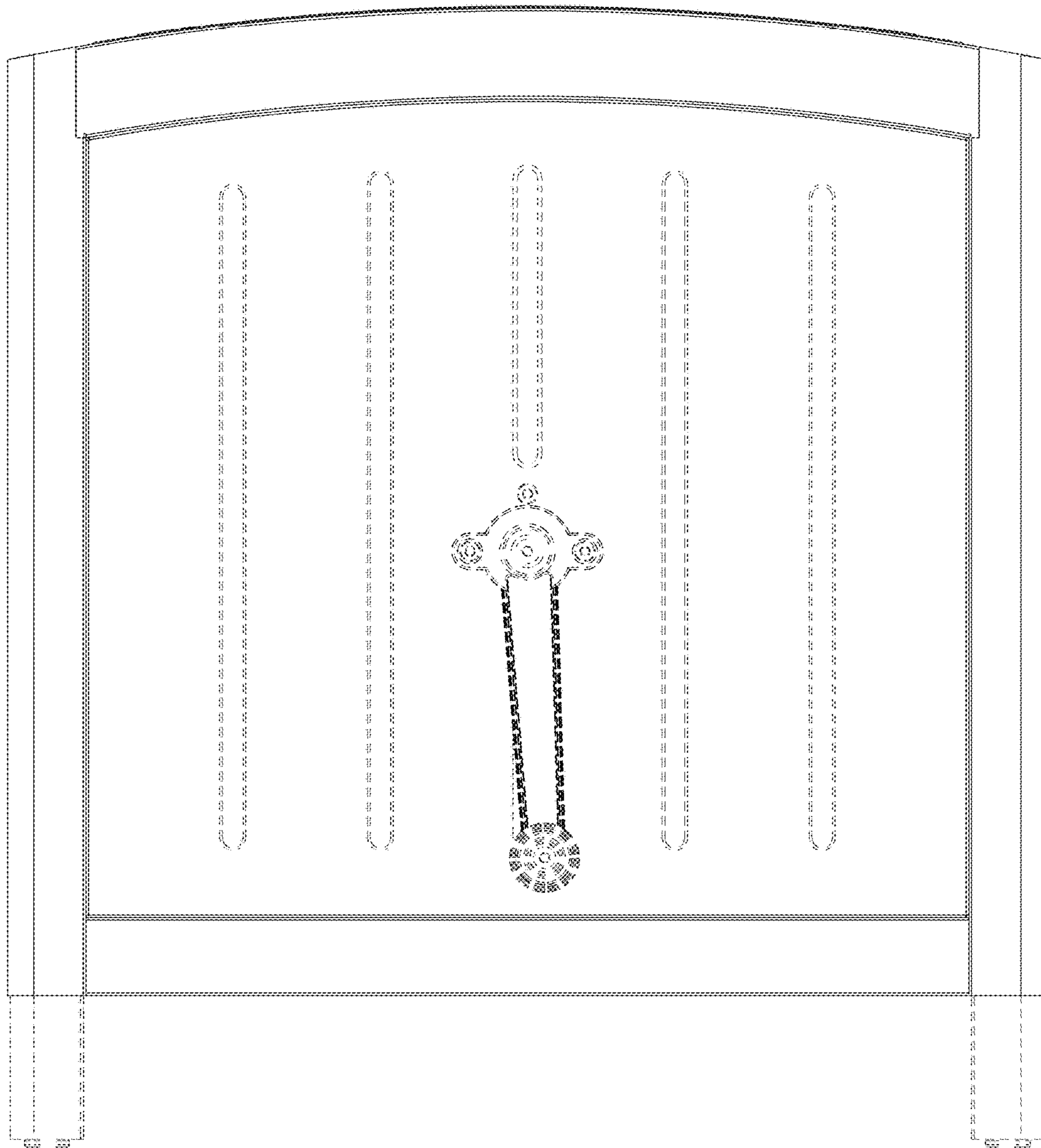




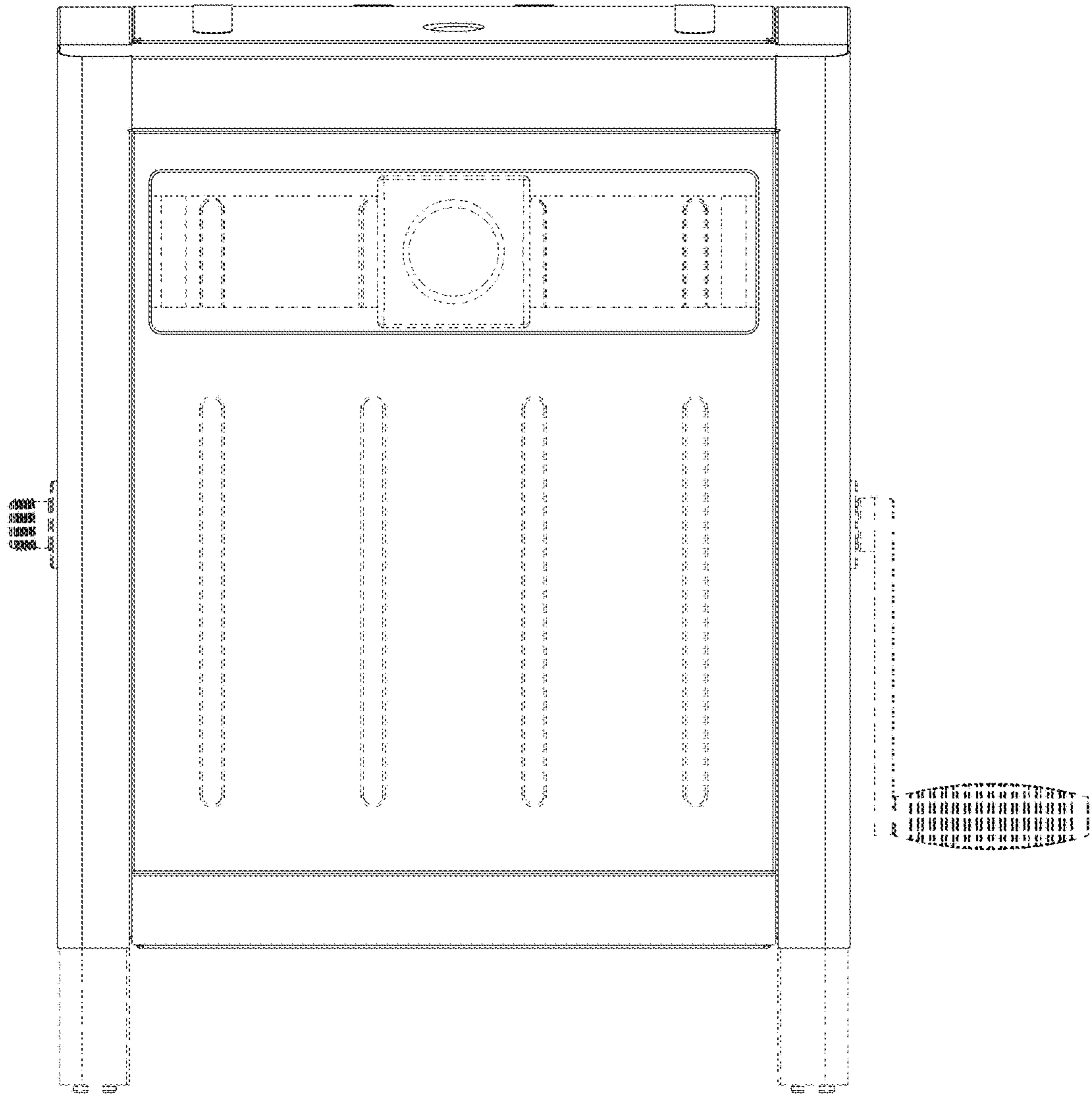
*Fig. 1*



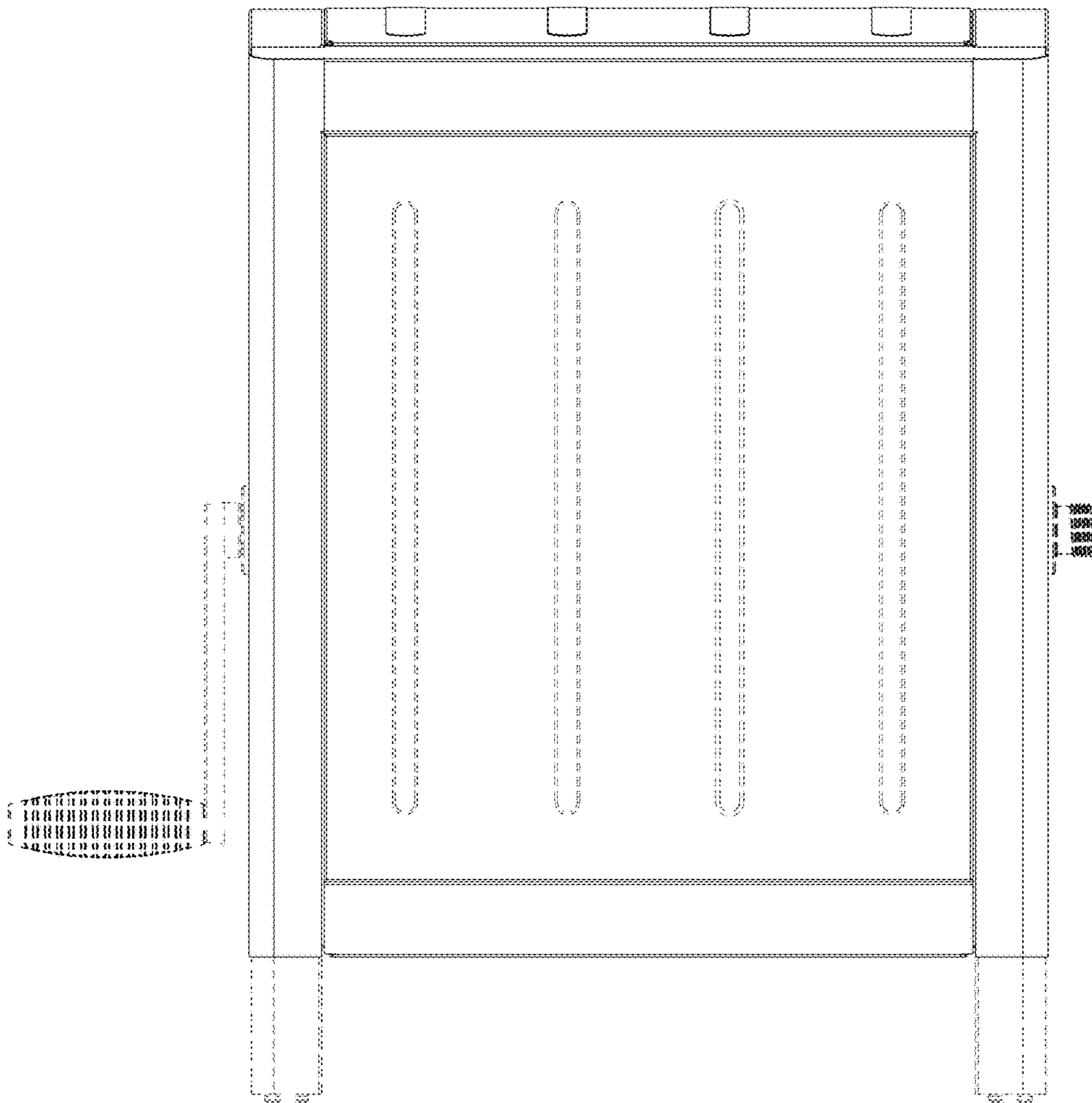
*Fig. 2*



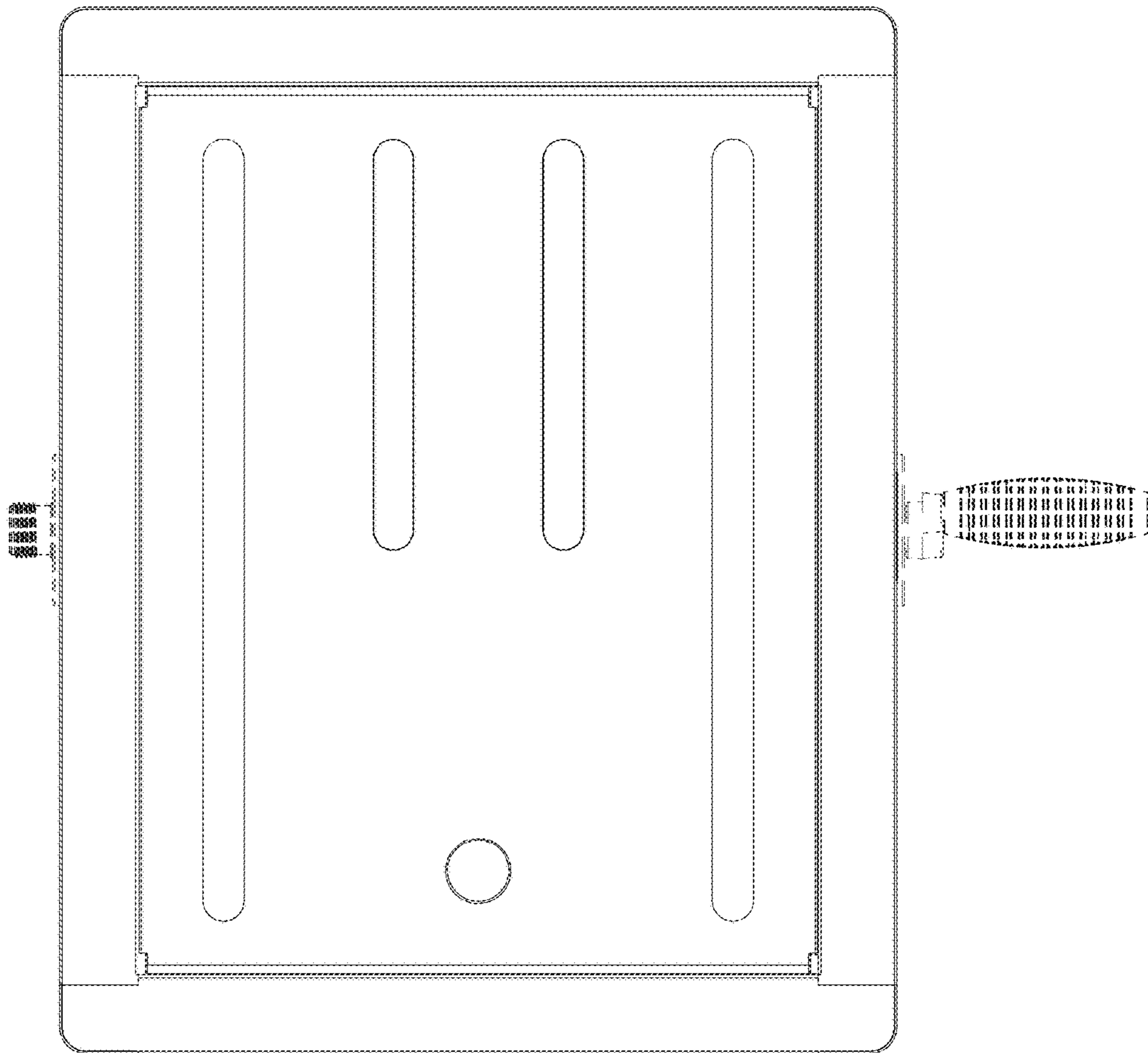
*Fig. 3*



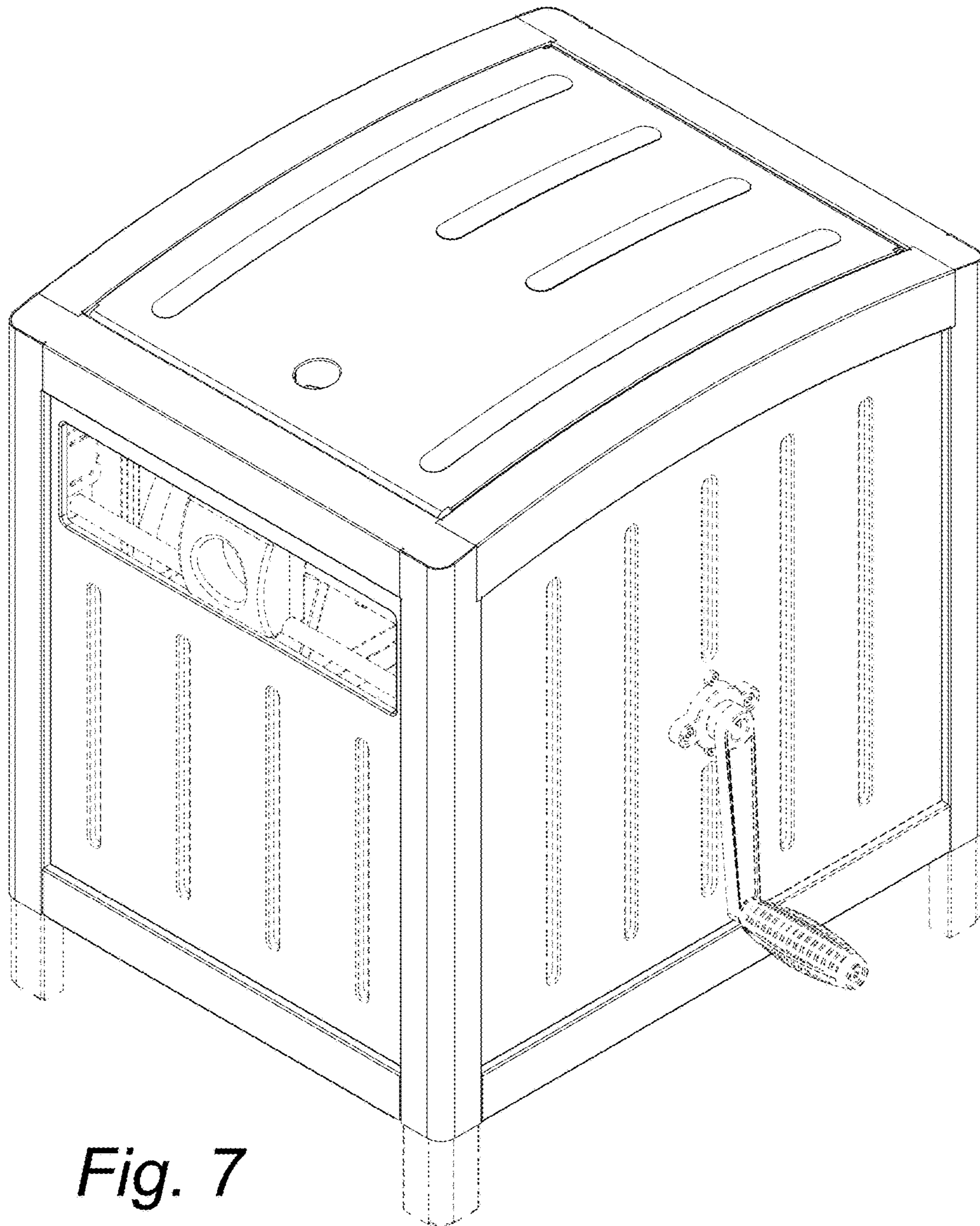
*Fig. 4*



*Fig. 5*



*Fig. 6*



*Fig. 7*