

US00D817154S

(12) **United States Design Patent** (10) **Patent No.:** **US D817,154 S**  
**Landrum et al.** (45) **Date of Patent:** **\*\* May 8, 2018**

(54) **CARABINER**

D528,406 S \* 9/2006 Kramer ..... D8/356  
D533,427 S \* 12/2006 Barber ..... D8/356  
D655,999 S \* 3/2012 Kelleghan ..... D8/356

(71) Applicant: **BOARD OF REGENTS, THE UNIVERSITY OF TEXAS SYSTEM,** Austin, TX (US)

\* cited by examiner

(72) Inventors: **David W. Landrum,** Dallas, TX (US);  
**Norma I. Figueroa,** Ponce, PR (US)

*Primary Examiner* — Cynthia R Underwood  
(74) *Attorney, Agent, or Firm* — John P. Zimmer; Nexsen Pruet, PLLC

(73) Assignee: **Board of Regents, The University of Texas System,** Austin, TX (US)

(57) **CLAIM**

(\*\*) Term: **15 Years**

The ornamental design for a carabiner, as shown and described.

(21) Appl. No.: **29/575,058**

**DESCRIPTION**

(22) Filed: **Aug. 22, 2016**

(51) **LOC (11) Cl.** ..... **09-06**

(52) **U.S. Cl.**  
USPC ..... **D8/356**

(58) **Field of Classification Search**  
USPC ..... D8/356, 354, 349, 22  
CPC ..... B65H 57/16; E02D 5/803; B63B 21/045;  
B63B 59/02; B60D 1/18; B60P 1/103;  
Y10T 24/3918; H02G 7/12  
See application file for complete search history.

FIG. 1 is a front perspective view of a carabiner;  
FIG. 2 is an additional front perspective view thereof;  
FIG. 3 is a first side view thereof;  
FIG. 4 is a second side view thereof, opposite the view of FIG. 3;  
FIG. 5 is a top plan view thereof;  
FIG. 6 is a bottom plan view thereof, opposite the view of FIG. 5;  
FIG. 7 is a third side view thereof; and,  
FIG. 8 a fourth side view thereof, opposite the view of FIG. 7.

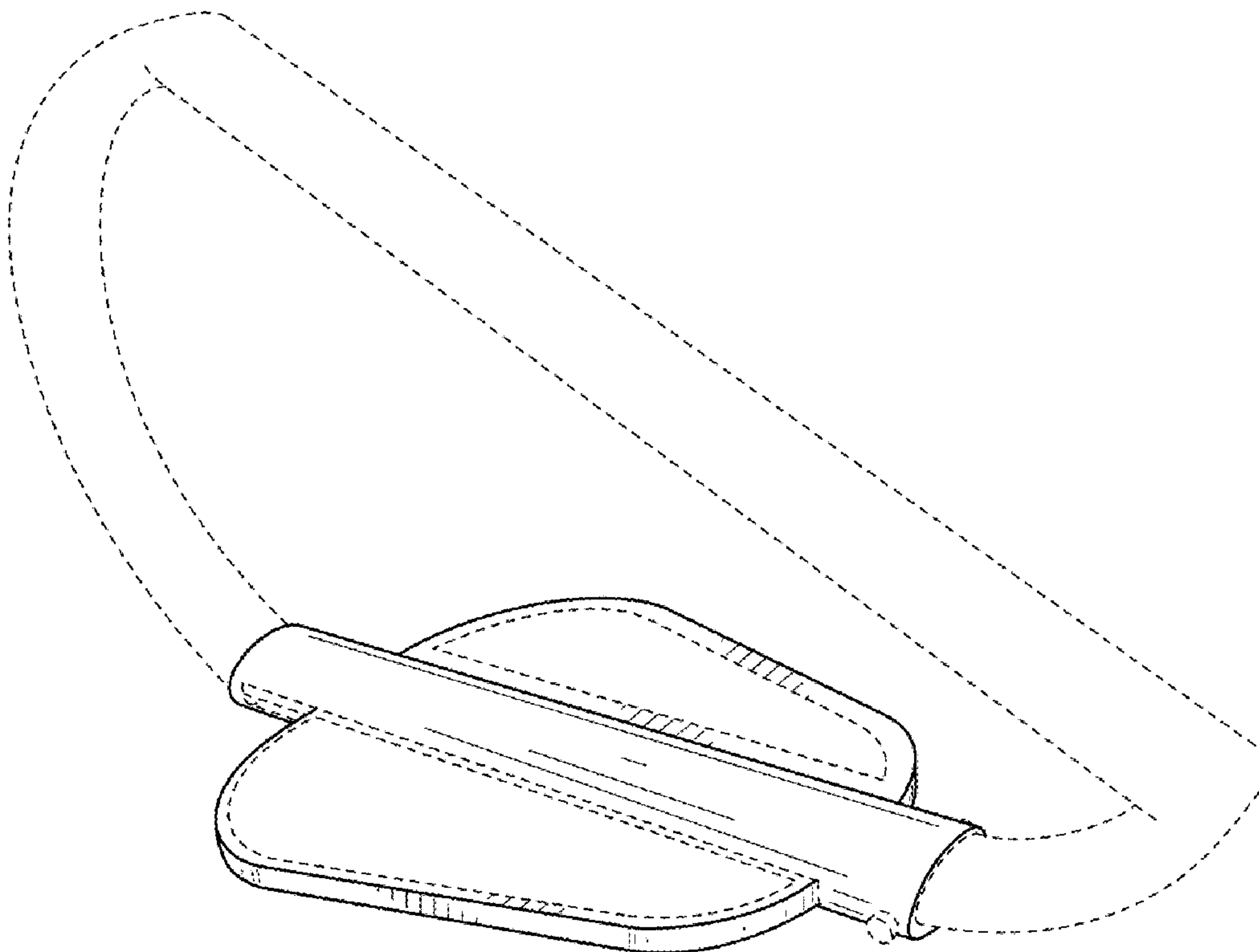
(56) **References Cited**

The dashed broken lines are included for the purpose of illustrating environment of the design only, and form no part of the claimed design.

**U.S. PATENT DOCUMENTS**

5,329,675 A 7/1994 McLean et al.

**1 Claim, 6 Drawing Sheets**



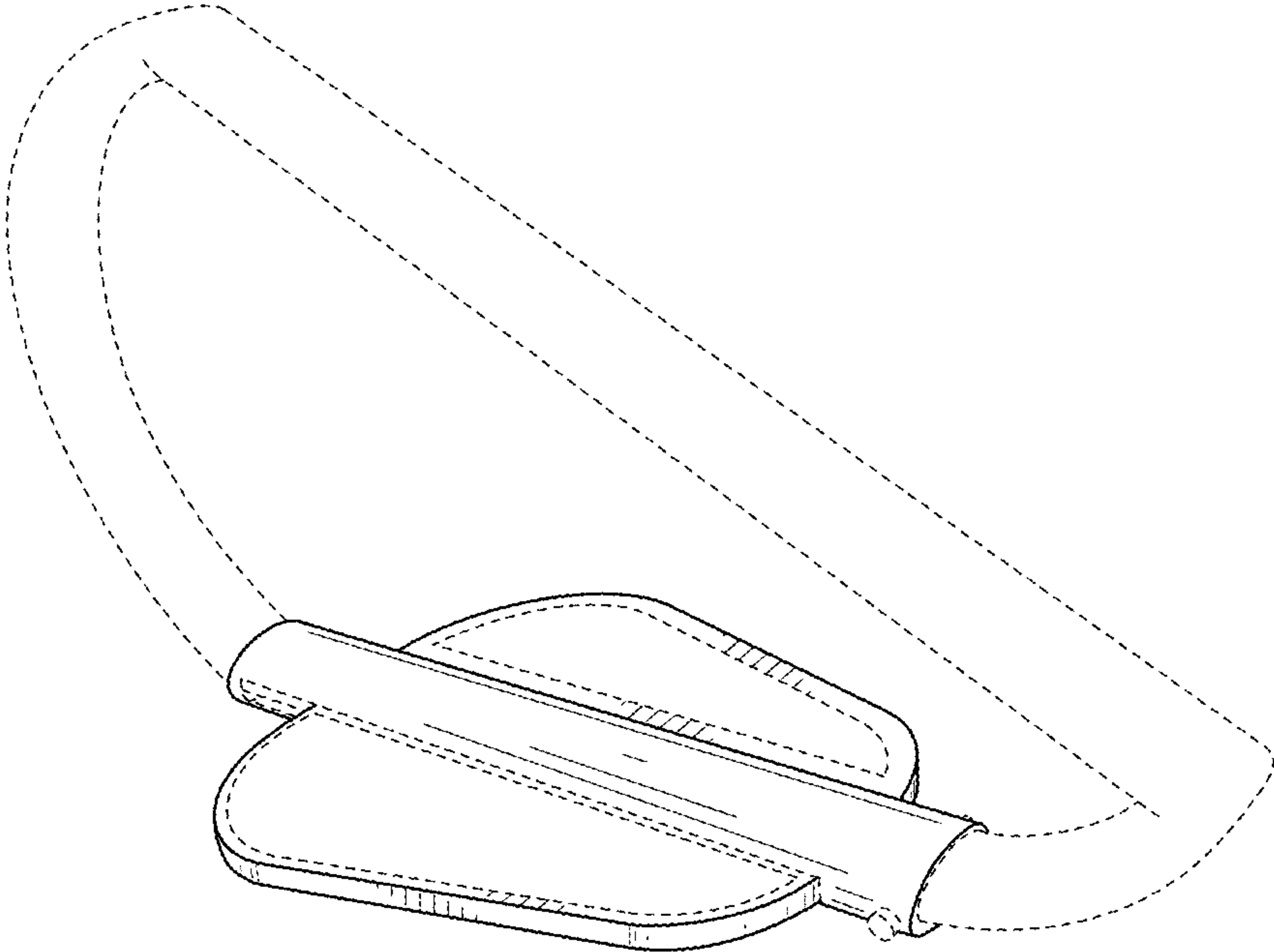


FIG 1

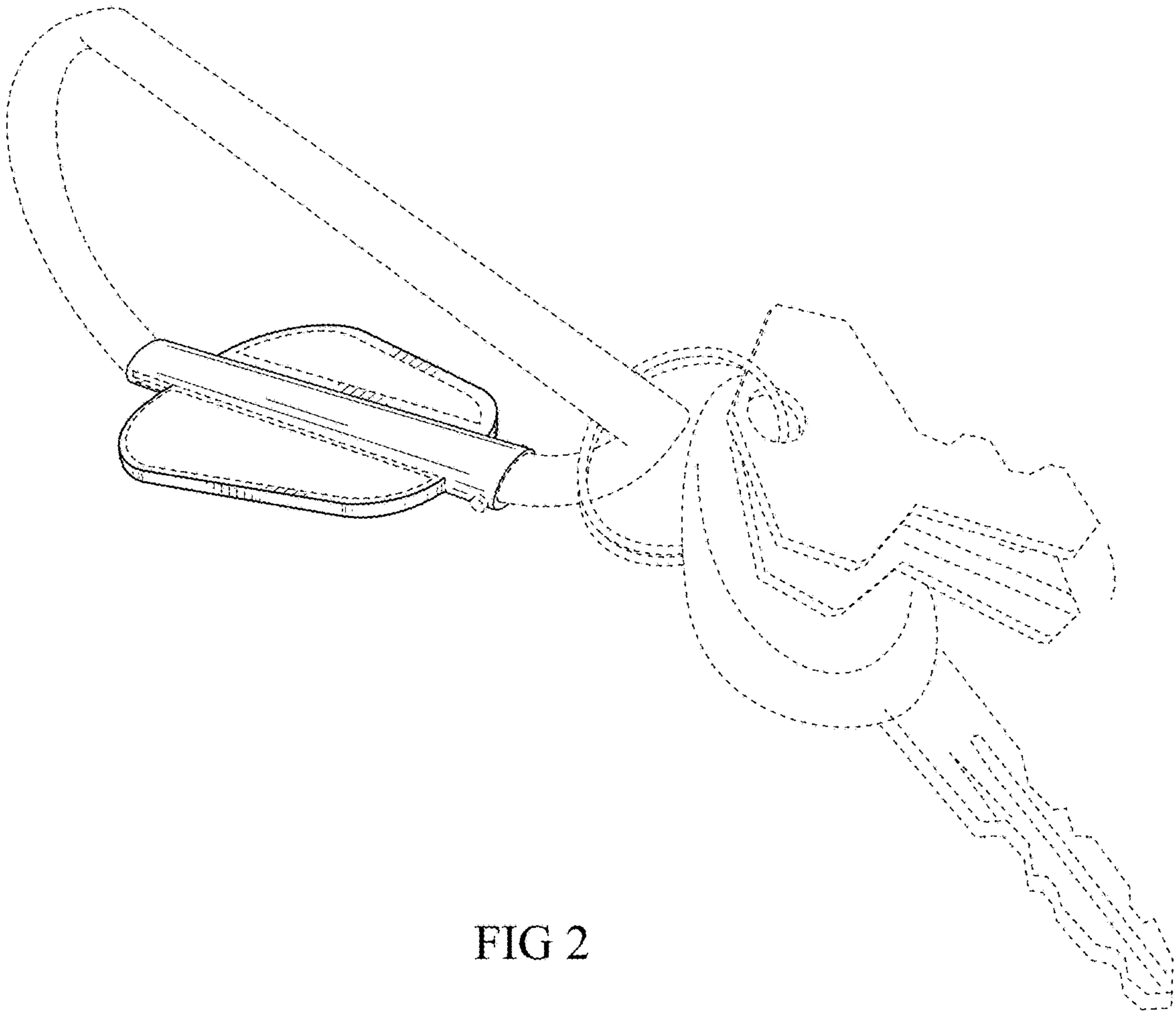


FIG 2

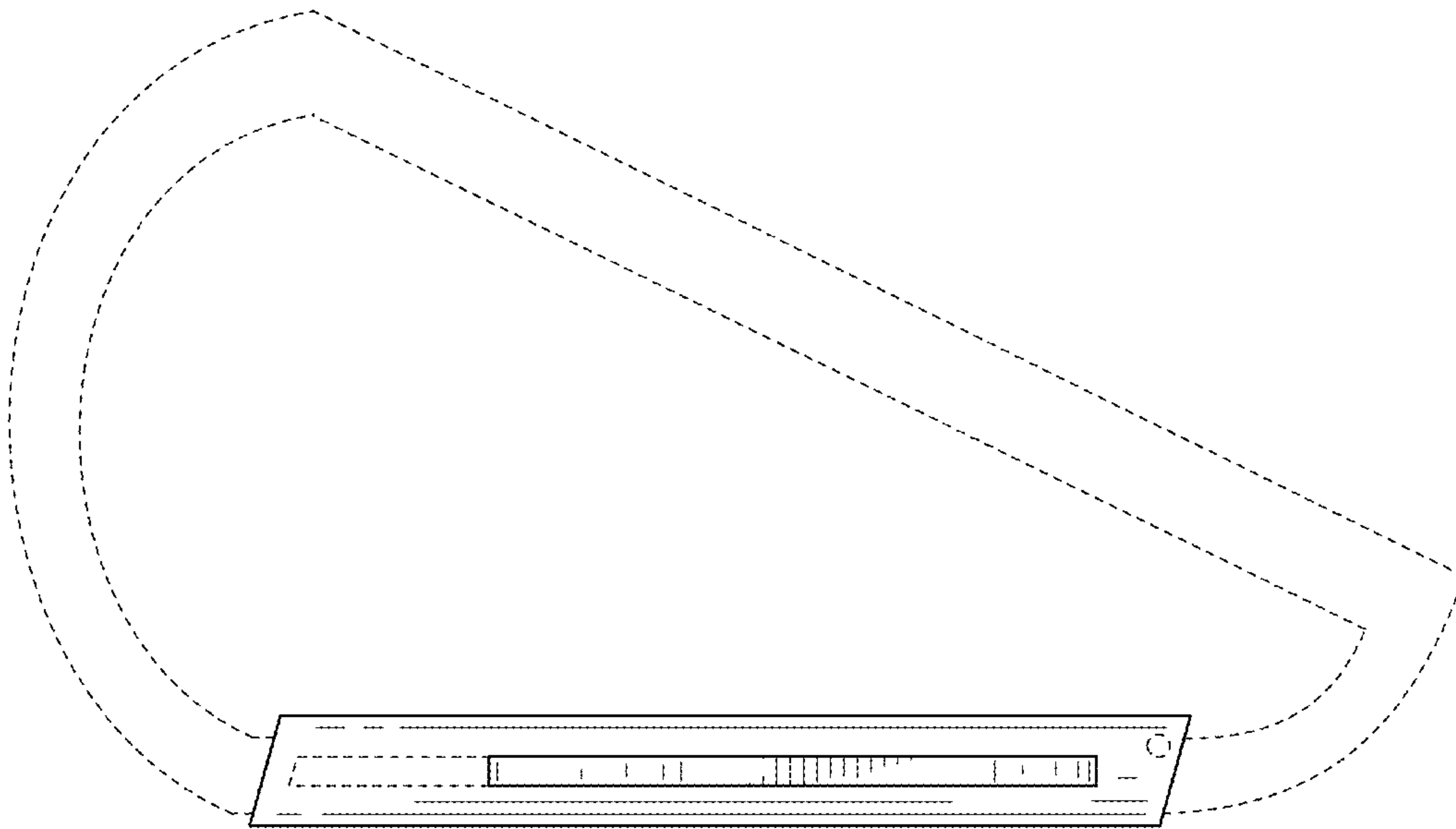


FIG 3

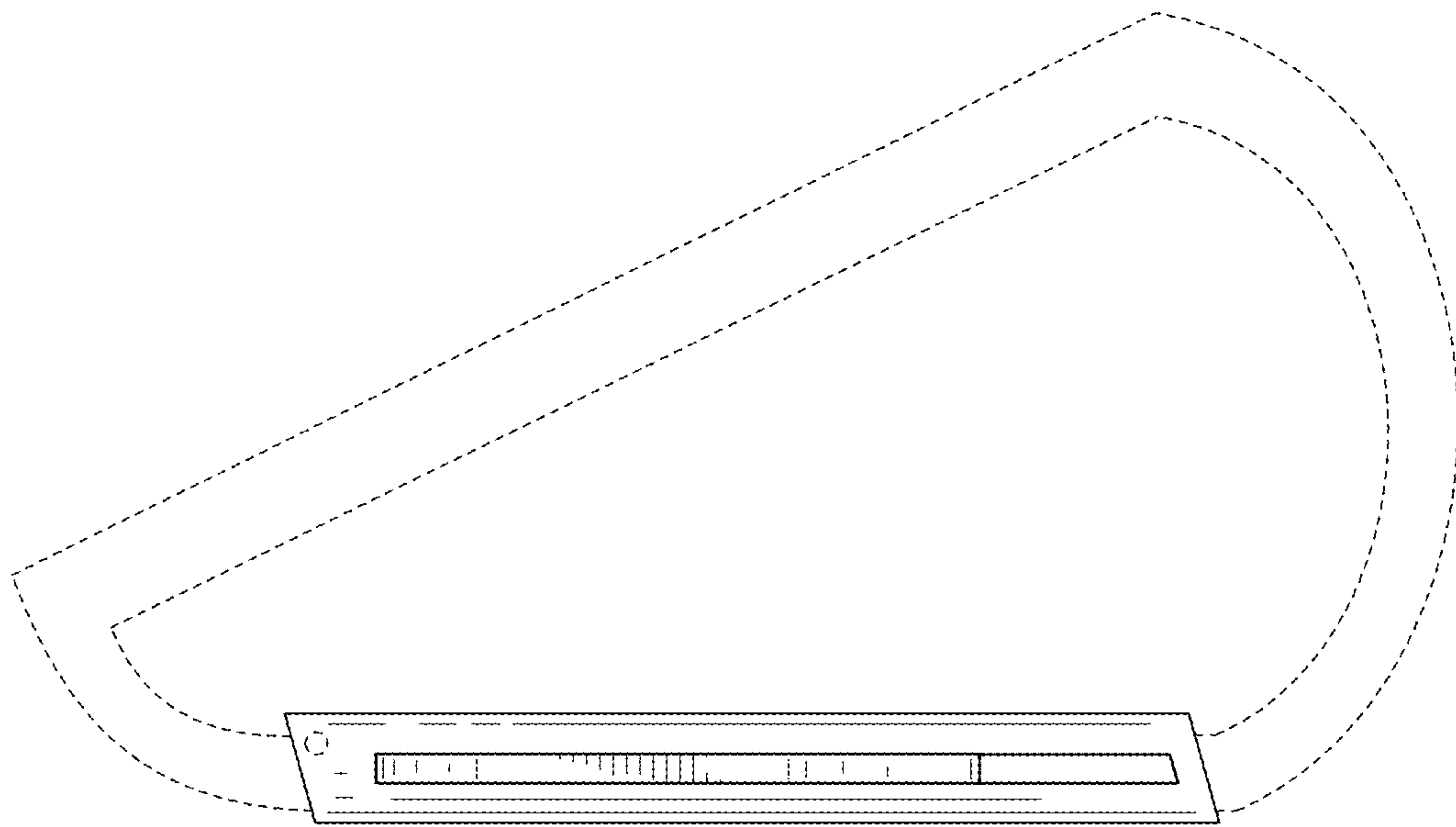


FIG 4

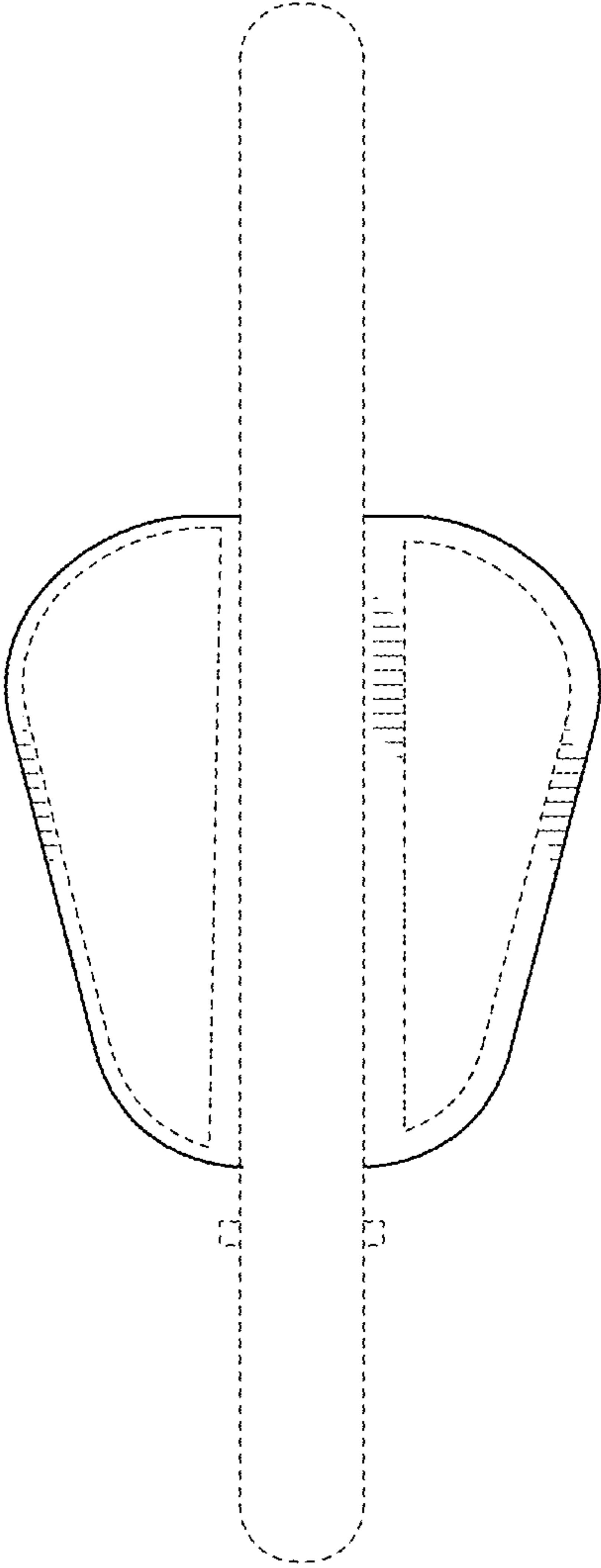


FIG 5

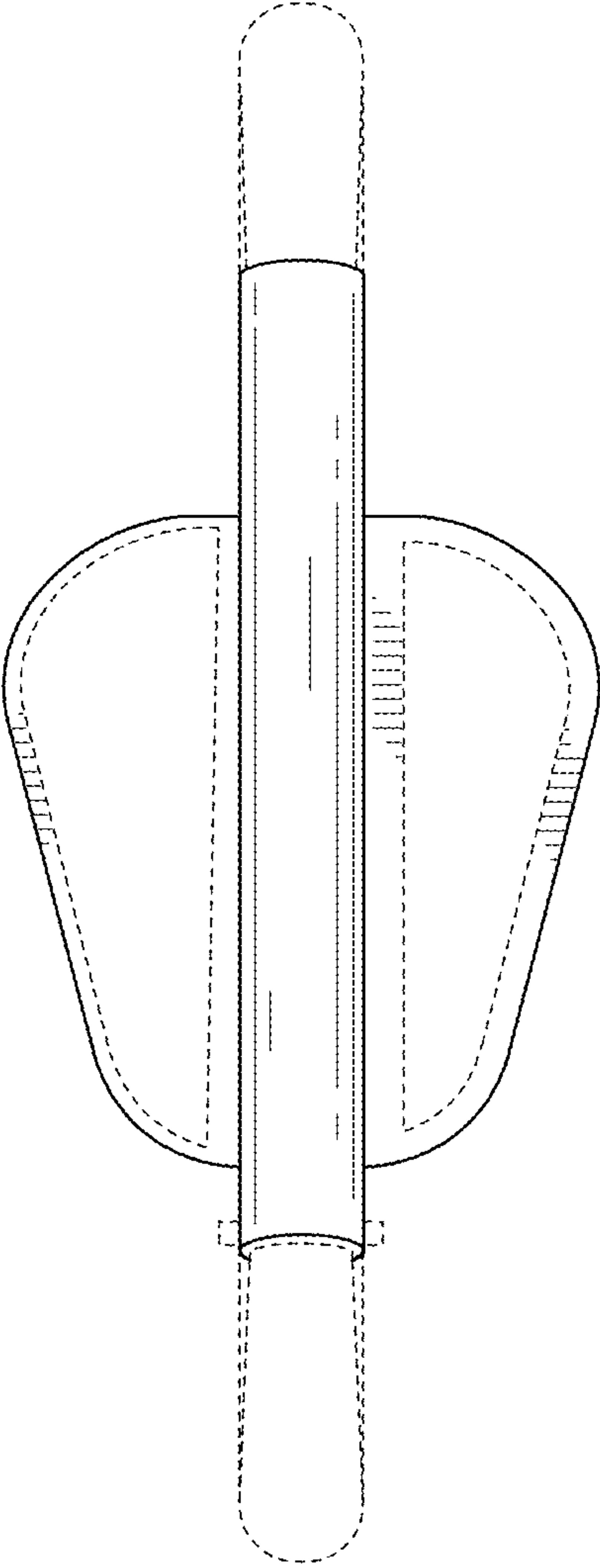


FIG 6

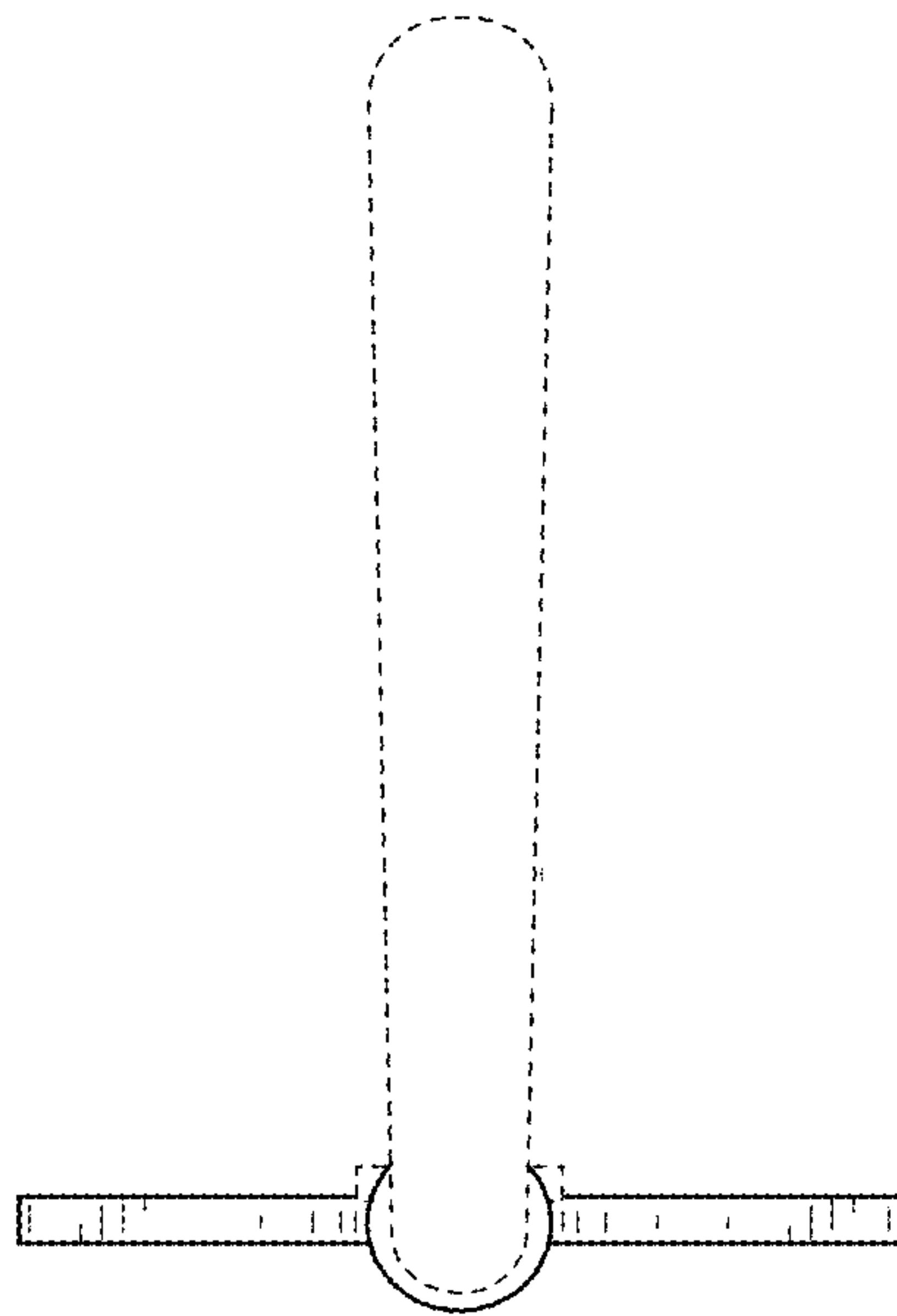


FIG 7

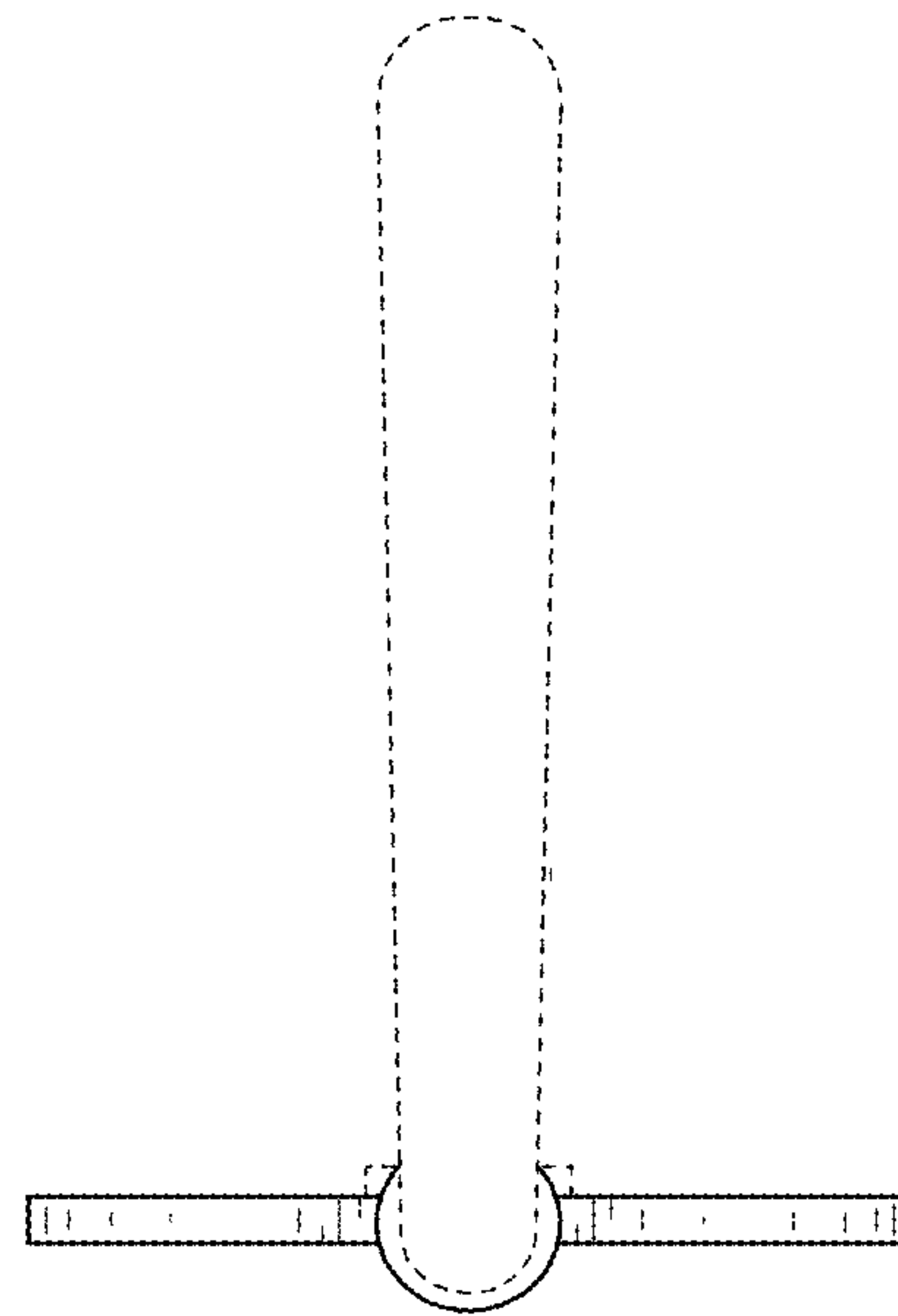


FIG 8