



US00D817152S

(12) **United States Design Patent** (10) **Patent No.:** **US D817,152 S**  
**Ng et al.** (45) **Date of Patent:** **\*\* May 8, 2018**

(54) **HANGER ASSEMBLY FOR WALL-MOUNTED ARTICLES**

(71) Applicant: **Nielsen & Bainbridge, LLC.**,  
Wilmington, DE (US)

(72) Inventors: **Kimkie Ng**, Austin, TX (US); **Patrick Pun**, Austin, TX (US); **Randall Ben Faltese**, Austin, TX (US); **Jamey Yarnall**, Austin, TX (US); **John Fenno**, Austin, TX (US)

(73) Assignee: **Nielsen & Bainbridge, LLC.**,  
Wilmington, DE (US)

(\*\*) Term: **15 Years**

(21) Appl. No.: **29/606,223**

(22) Filed: **Jun. 2, 2017**

(51) **LOC (11) Cl.** ..... **08-05**

(52) **U.S. Cl.**  
USPC ..... **D8/354**

(58) **Field of Classification Search**  
USPC .... D08/354, 376, 16, 17, 19, 37, 47, 71, 89,  
D08/101, 363, 373, 377, 390, 391, 404;  
D06/512, 524, 528, 534, 672, 680.1,  
D06/680.2, 705.7, 708.25; D25/38.1,  
D25/119, 122, 123  
CPC ..... A47G 33/004; A47H 1/00; A47H 13/00;  
A47H 15/00; B44C 1/18; B44C 5/02;  
B44C 5/04; B44C 5/0415; E01B 11/00  
See application file for complete search history.

(56) **References Cited**

**U.S. PATENT DOCUMENTS**

D29,072 S \* 7/1898 Dolby ..... D8/390  
D31,665 S \* 10/1899 McKay ..... 248/37.6  
D197,188 S \* 12/1963 Anderson ..... D8/390  
D235,308 S \* 6/1975 Clarke ..... 248/494  
D239,593 S \* 4/1976 Douma ..... D8/354

D244,508 S \* 5/1977 Neece ..... D8/354  
D246,346 S \* 11/1977 Strunk ..... D8/354  
D252,851 S \* 9/1979 Church ..... 411/463  
D272,044 S \* 1/1984 Fesler ..... 411/475  
D272,211 S \* 1/1984 Rock ..... D8/323  
D295,369 S \* 4/1988 Niwa ..... 174/138 D  
D303,716 S \* 9/1989 Waller ..... D25/38.1  
D329,192 S \* 9/1992 Susac ..... D8/349

(Continued)

**OTHER PUBLICATIONS**

HP Quick Release Kit **\*\*New Retail\*\***, EM870AA, posted Jul. 6, 2011, [retrieved Mar. 12, 2018]. Retrieved from Internet, <URL: <https://www.amazon.it/HP-Quick-Release-Retail-EM870AA/dp/B000FBLNYG> >.\*

(Continued)

*Primary Examiner* — Barbara Fox  
*Assistant Examiner* — Kristin E Reed  
(74) *Attorney, Agent, or Firm* — Egan Peterman Enders  
Huston

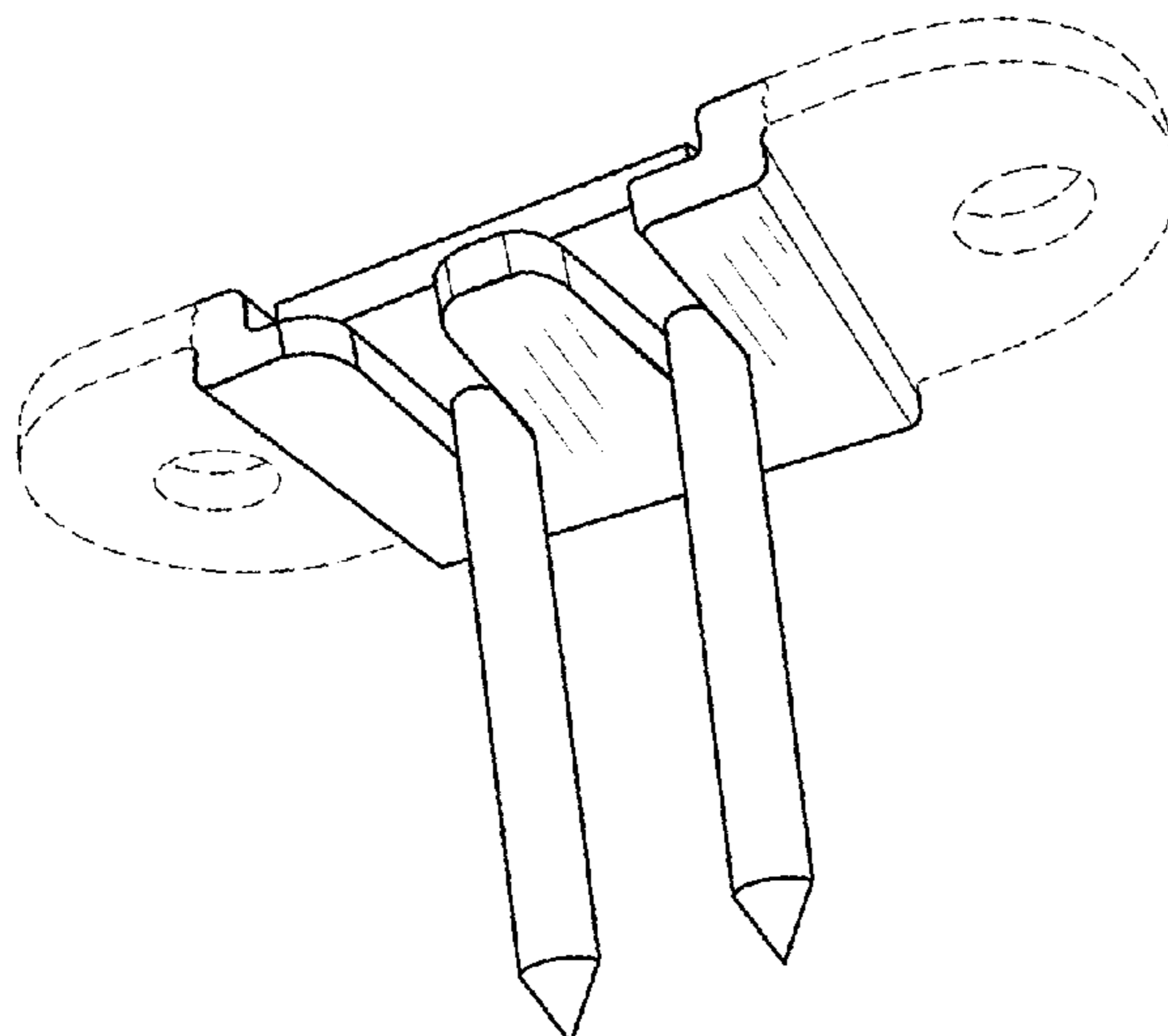
(57) **CLAIM**

The ornamental design for a hanger assembly for wall-mounted articles, as shown and described.

**DESCRIPTION**

FIG. 1 is a front perspective view of a hanger assembly for wall-mounted articles showing our new design;  
FIG. 2 is a top plan view thereof;  
FIG. 3 is a front elevational view thereof;  
FIG. 4 is a rear elevational view thereof;  
FIG. 5 is a right side elevational view thereof;  
FIG. 6 is a left side elevational view thereof; and,  
FIG. 7 is a bottom plan view thereof.  
The broken lines depict portions of the hanger assembly for wall-mounted articles and form no part of the claimed design.

**1 Claim, 3 Drawing Sheets**



(56)

**References Cited**

U.S. PATENT DOCUMENTS

5,850,954 A \* 12/1998 Dong-Joo ..... H04M 1/04  
224/197  
D408,267 S \* 4/1999 Egigian ..... D8/354  
D492,187 S \* 6/2004 Mottini ..... D8/354  
D511,088 S \* 11/2005 Chiu ..... D8/367  
D607,711 S \* 1/2010 Adams ..... D8/354  
8,303,226 B1 \* 11/2012 Derrig ..... F16B 15/0015  
411/475

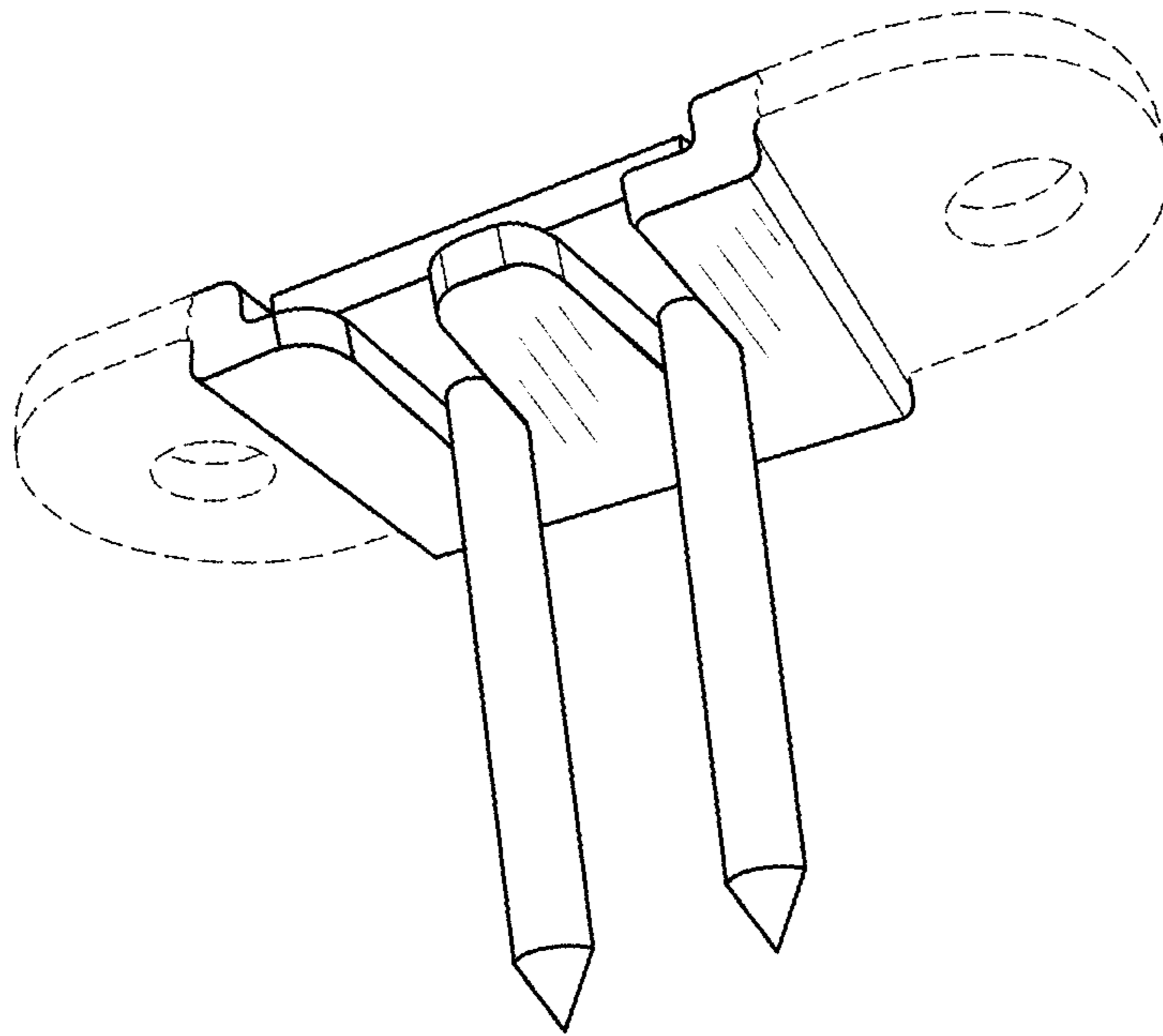
OTHER PUBLICATIONS

Quick Release Grey Lcd Tv Vesa Wall Bracket, posted Mar. 25, 2015, [retrieved Mar. 12, 2018]. Retrieved from Internet, <URL: <https://www.caravanstuff4u.co.uk/tv-satellite-accessories/569-quick-release-grey-lcd-tv-vesa-wall-bracket-5029833751403.html> >.\*

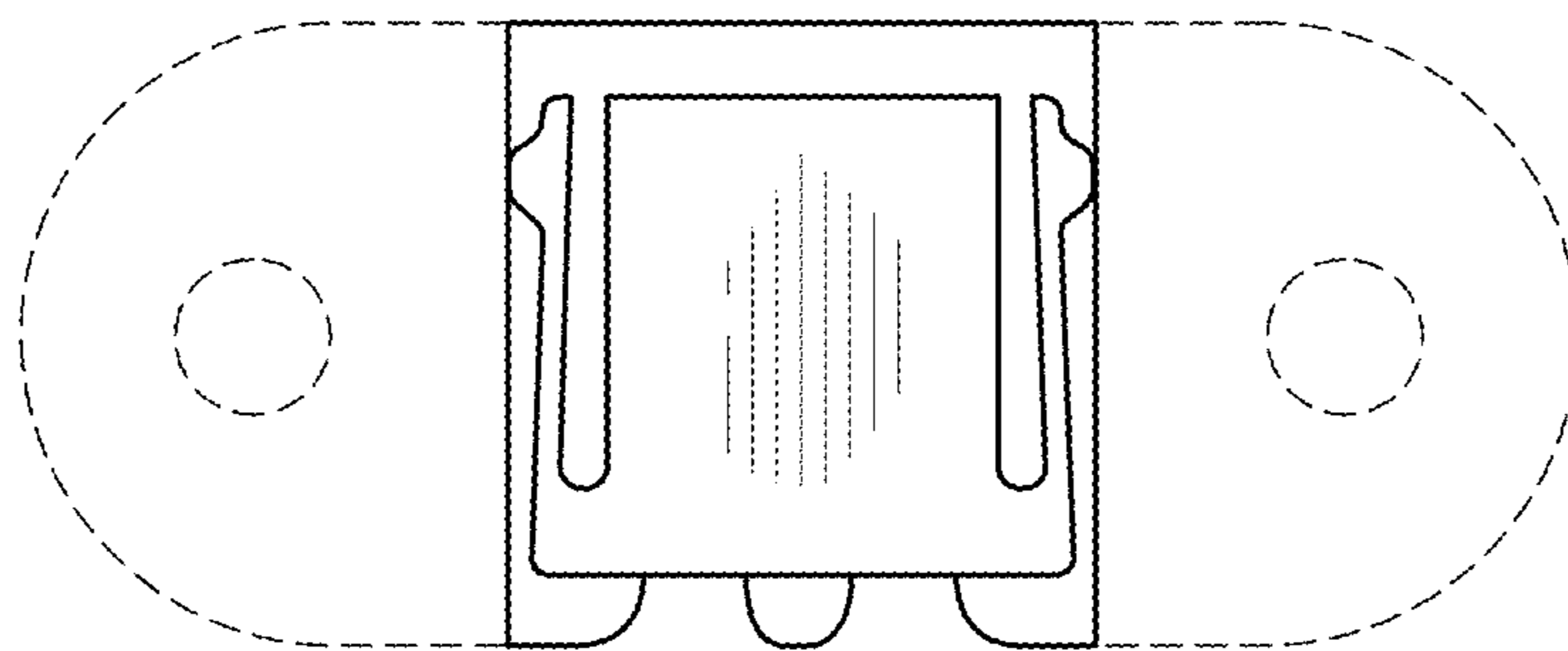
Barbed U pin making machine for cable pin or pipe pin making, posted 2011, [retrieved Mar. 12, 2018]. Retrieved from Internet, <URL: <http://chinadlc.com/pro/hardwaremc/2012/1107/2119.html> >.\*

SpringLOCK Security Picture Fixings, posted unknown, [retrieved Mar. 12, 2018]. Retrieved from Internet, <URL: <https://www.springlock.co.uk/> >.\*

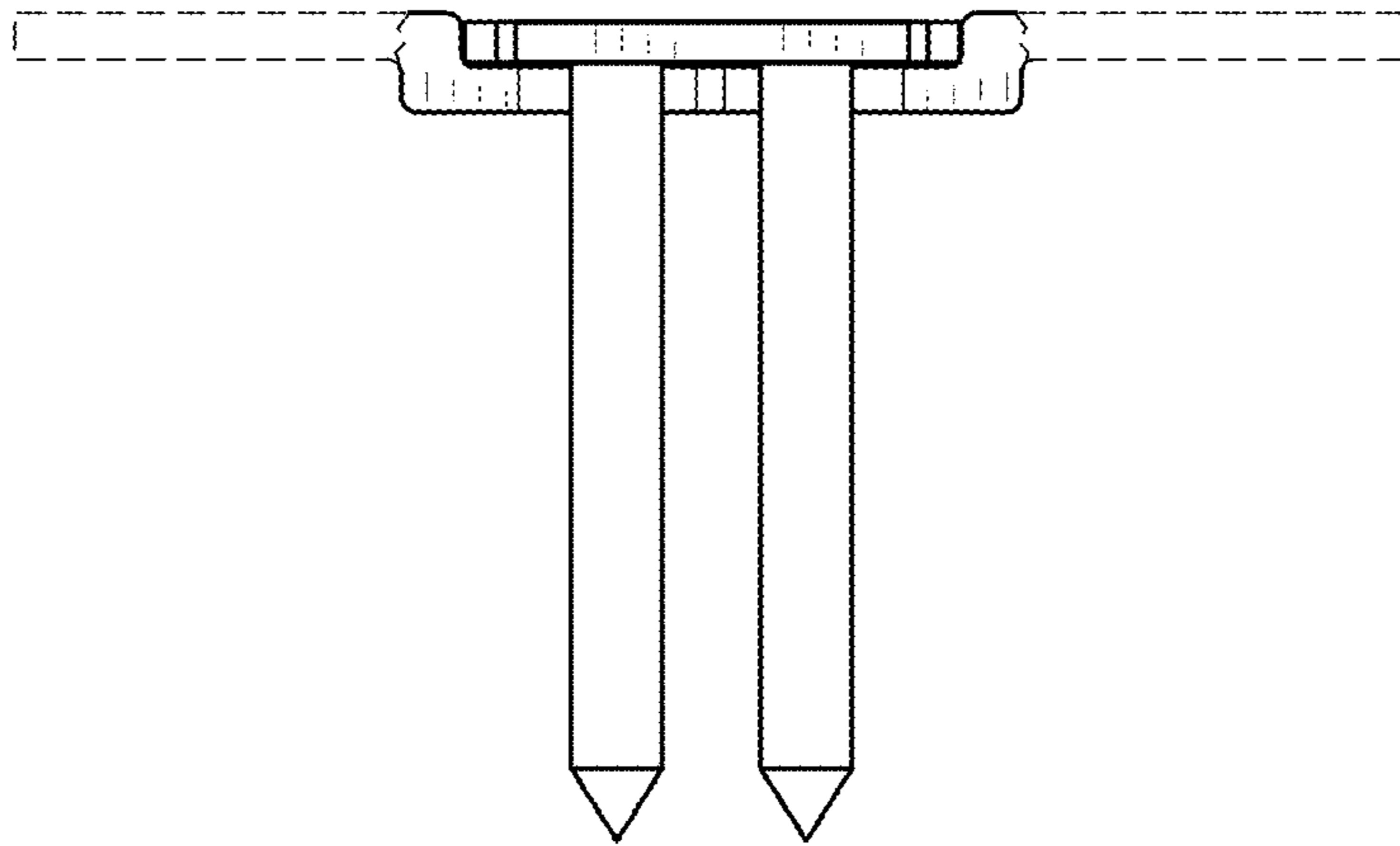
\* cited by examiner



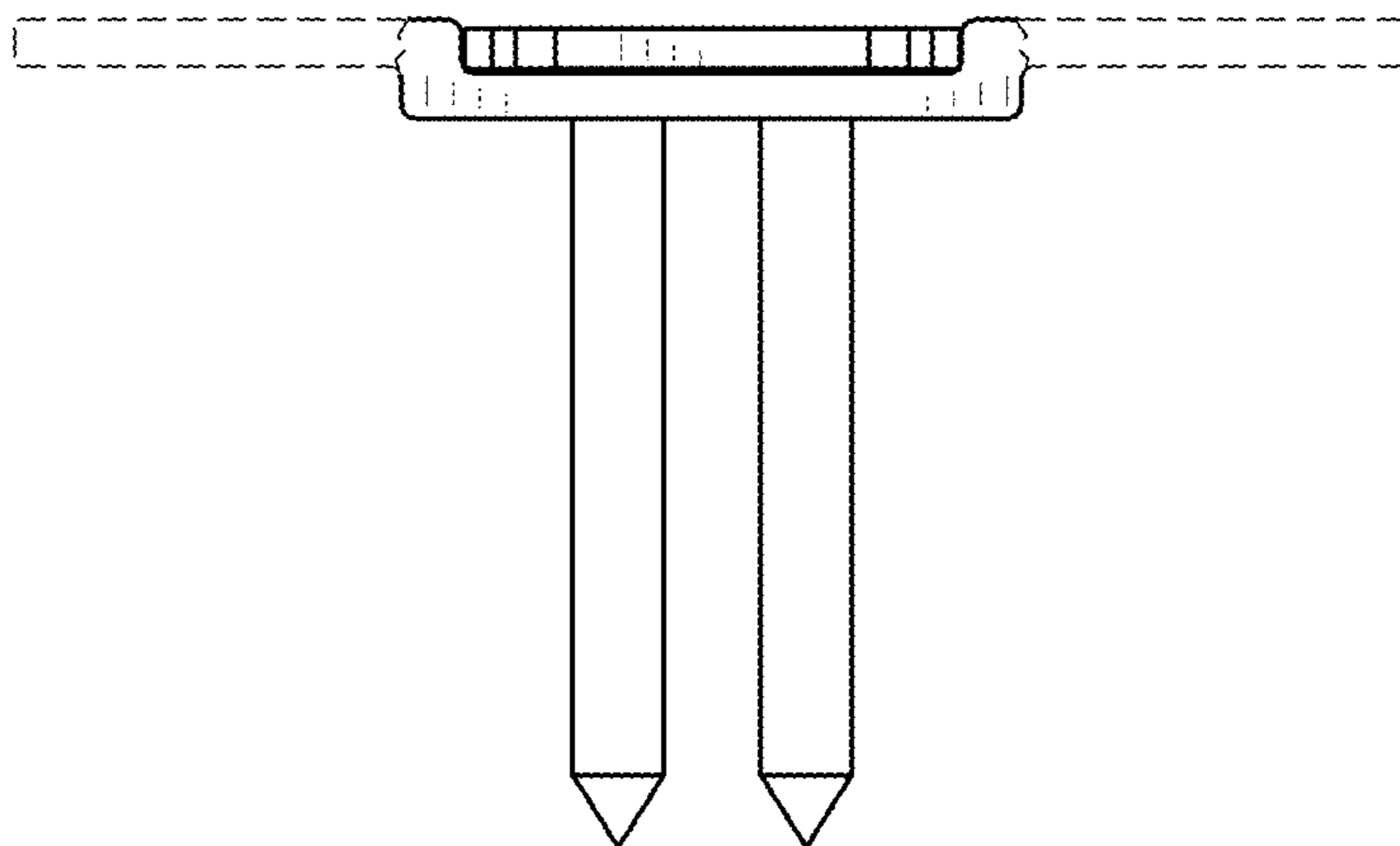
*FIG. 1*



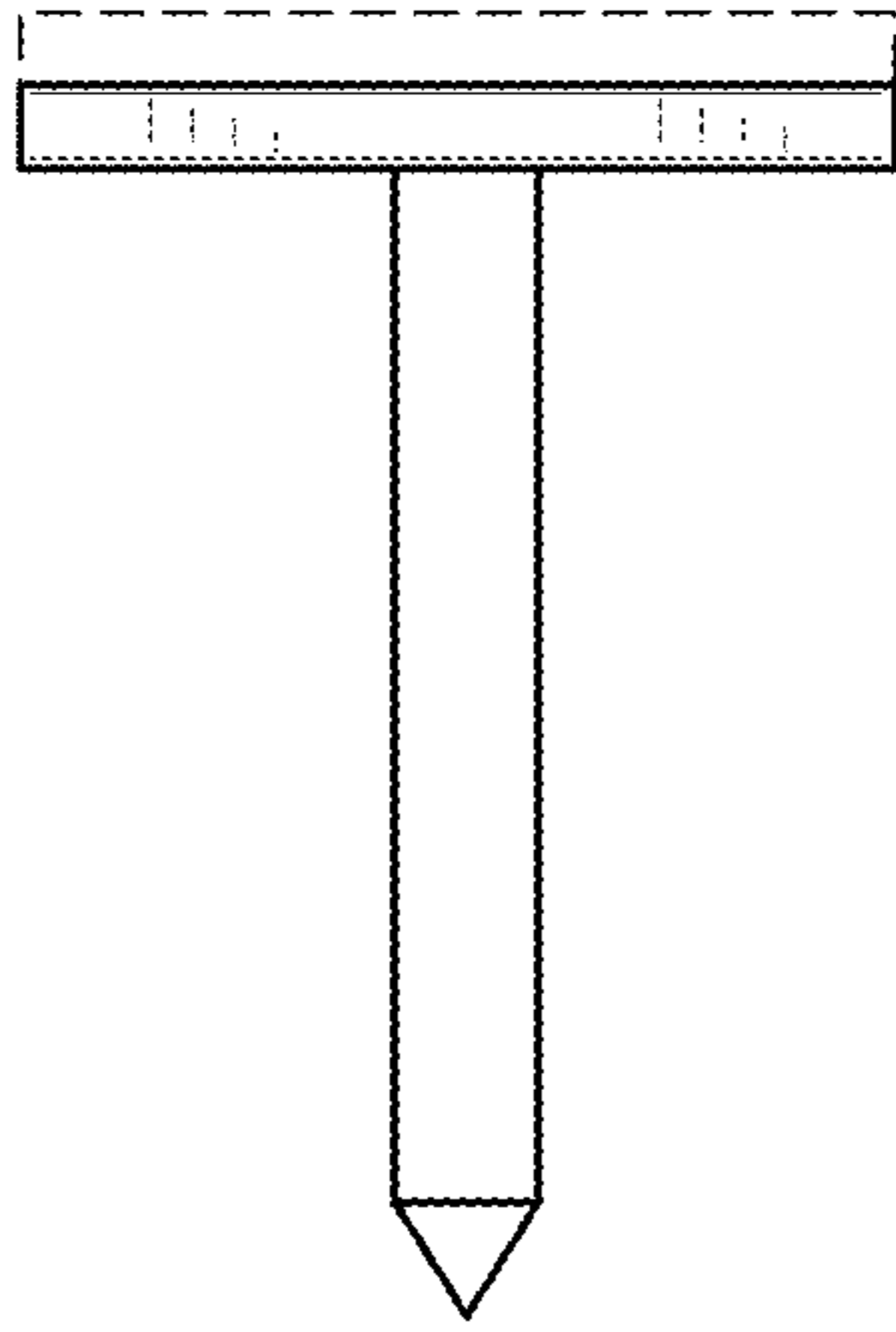
*FIG. 2*



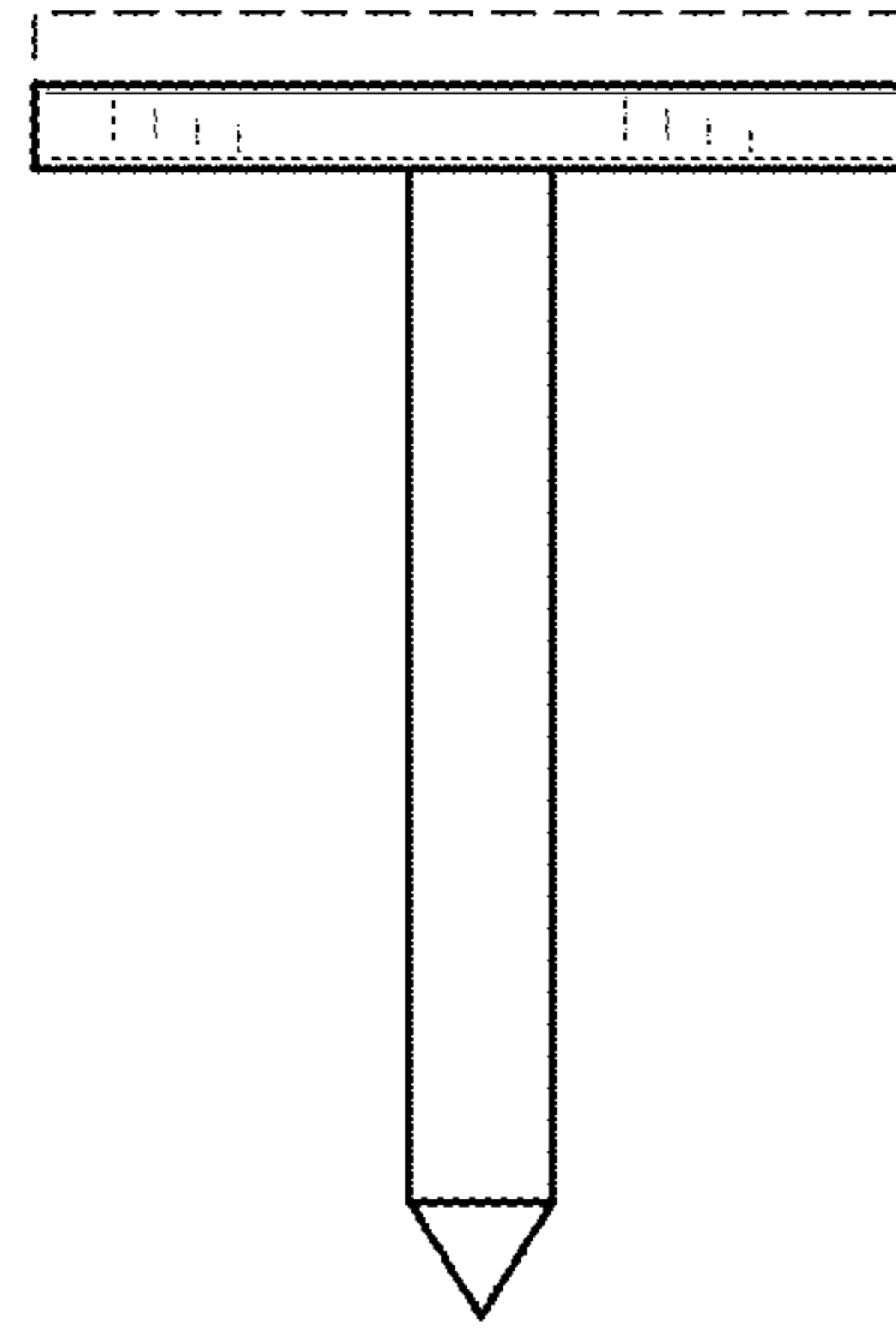
*FIG. 3*



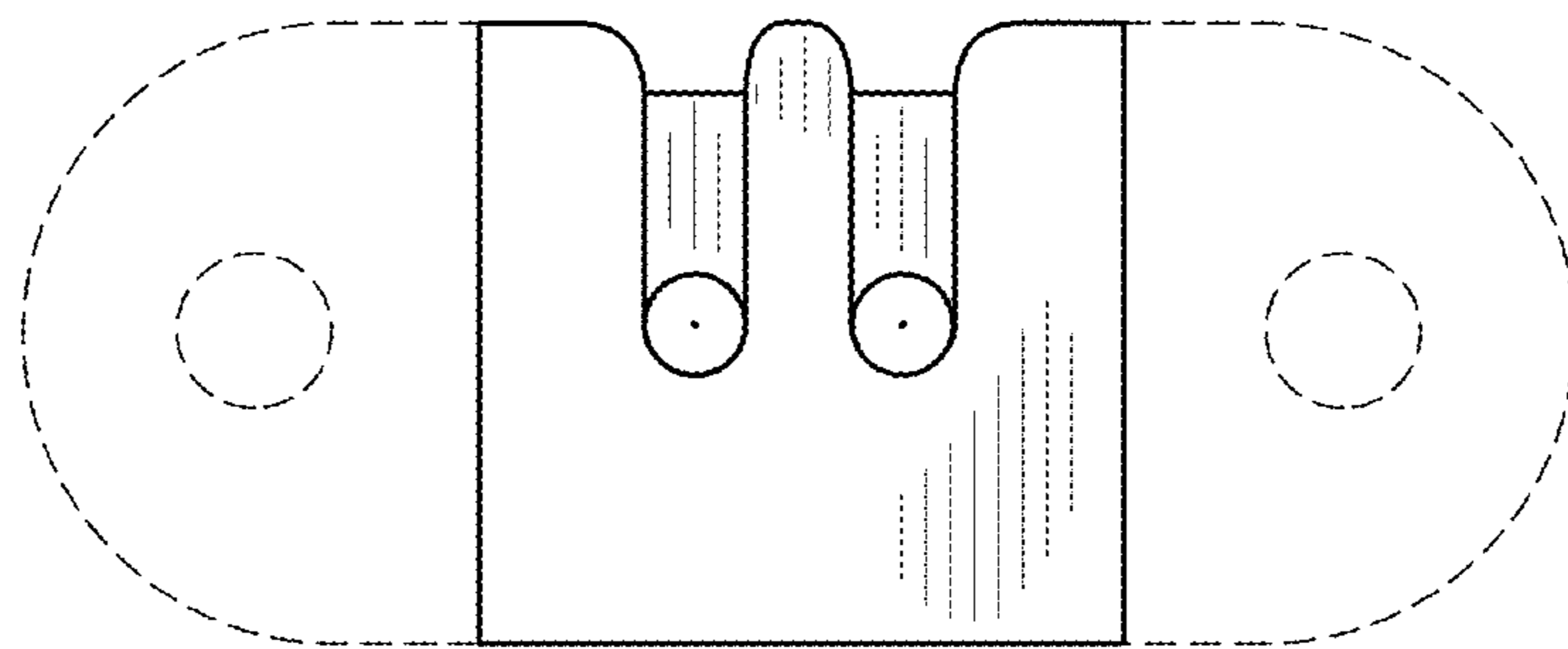
*FIG. 4*



*FIG. 5*



*FIG. 6*



*FIG. 7*