



US00D817151S

(12) **United States Design Patent** (10) **Patent No.:** **US D817,151 S**
Jensen (45) **Date of Patent:** **** May 8, 2018**

(54) **BACKBOARD ATTACHMENT BRACKET**
(71) Applicant: **Douglas Jensen**, Calabasas, CA (US)
(72) Inventor: **Douglas Jensen**, Calabasas, CA (US)
(**) Term: **15 Years**
(21) Appl. No.: **29/601,111**
(22) Filed: **Apr. 19, 2017**
(51) **LOC (11) Cl.** **08-05**
(52) **U.S. Cl.**
USPC **D8/354**
(58) **Field of Classification Search**
USPC D8/16, 19, 350, 353, 354, 364, 366, 499,
D8/380, 381, 371, 373, 349; D21/703;
D20/43; D6/524, 567
CPC A47B 2220/0036; E04B 1/26; E04B
2001/2415; E04B 2001/2644; E04B
2001/405; E04H 17/1421; E04H
2017/1473; A47G 1/00; A47G 25/00;
F16L 3/00; Y10T 70/7915
See application file for complete search history.

(56) **References Cited**
U.S. PATENT DOCUMENTS
D252,669 S * 8/1979 Muttart D8/366
D252,861 S * 9/1979 Potts D10/94
D366,207 S * 1/1996 Thompson D20/43
D387,922 S * 12/1997 Dormon D19/90
D410,192 S * 5/1999 Giese D8/354

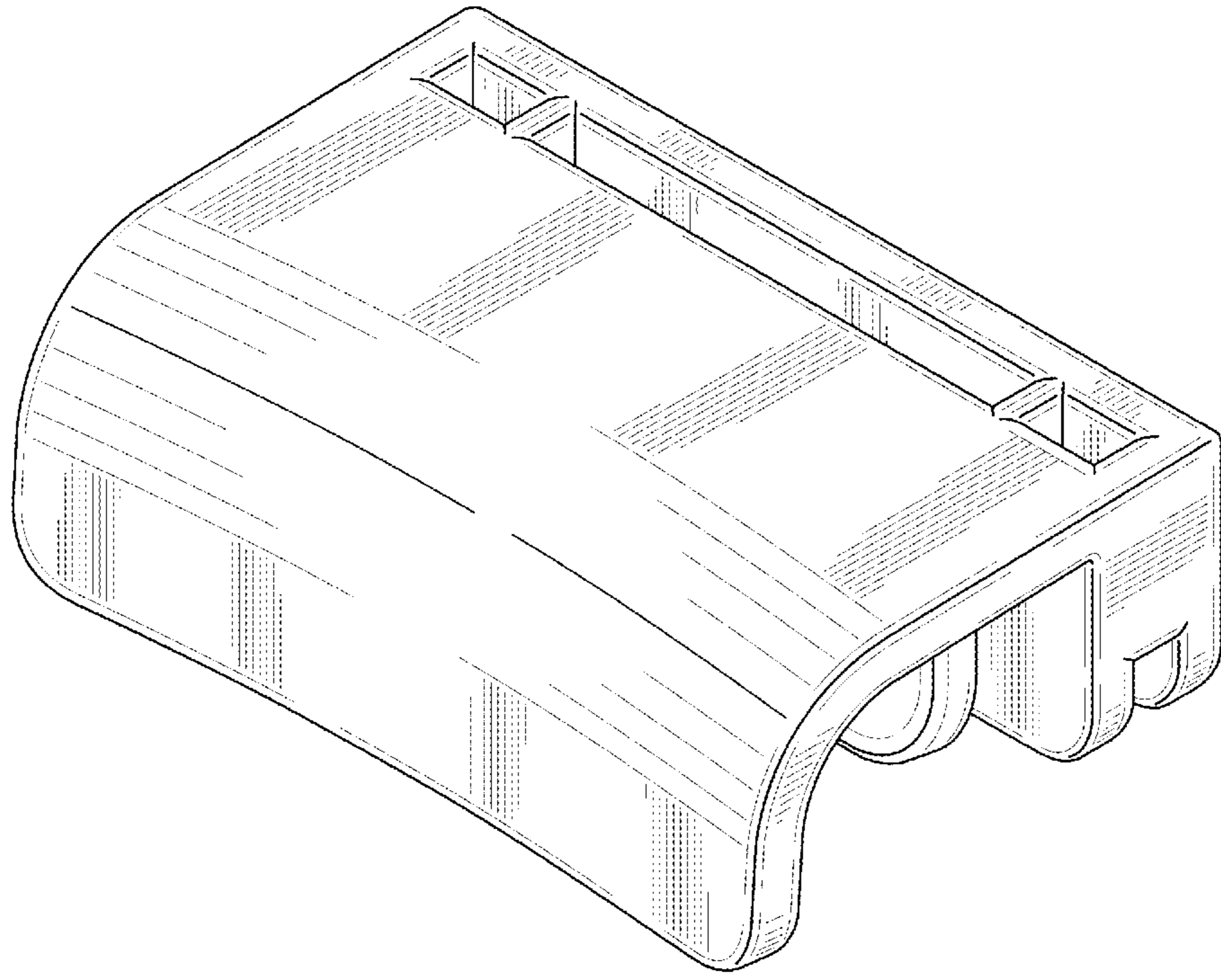
D417,608 S * 12/1999 Martin D8/373
D513,039 S * 12/2005 Yoshida D19/90
D551,542 S * 9/2007 Gallien D8/373
D688,936 S * 9/2013 Chen D8/354
D695,091 S * 12/2013 Nunez Farfan D8/354
D735,017 S * 7/2015 Langle D8/355
D787,173 S * 5/2017 Parnell D3/10
D802,401 S * 11/2017 Harris D8/367

* cited by examiner
Primary Examiner — Jennifer Rivard
Assistant Examiner — Alison M Ofstun
(74) *Attorney, Agent, or Firm* — Kelly & Kelley, LLP

(57) **CLAIM**
The ornamental design for a backboard attachment bracket,
as shown and described.

DESCRIPTION
FIG. 1 is a top, front and left-side perspective view of a
backboard attachment bracket embodying my new design;
FIG. 2 is a top plan view thereof;
FIG. 3 is a front elevational view thereof;
FIG. 4 is a bottom plan view thereof;
FIG. 5 is a rear elevational view thereof;
FIG. 6 is a right-side elevational view thereof, the left-side
elevational view being a mirror image; and,
FIG. 7 is a perspective view thereof, shown in a position of
use with an exemplary back board.
The broken lines are shown for the purpose of illustrating
environment and form no part of the claimed design.

1 Claim, 5 Drawing Sheets



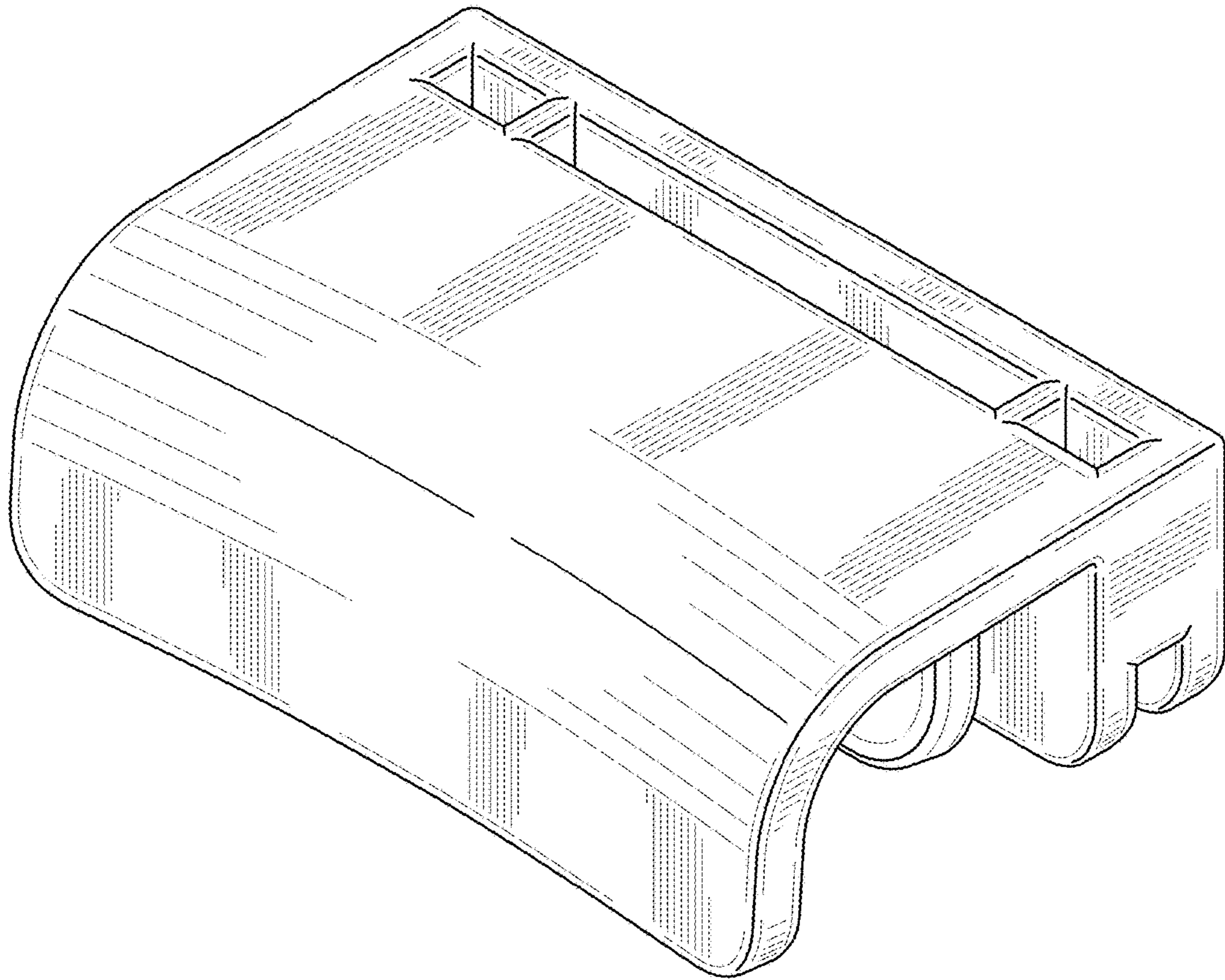


FIG. 1

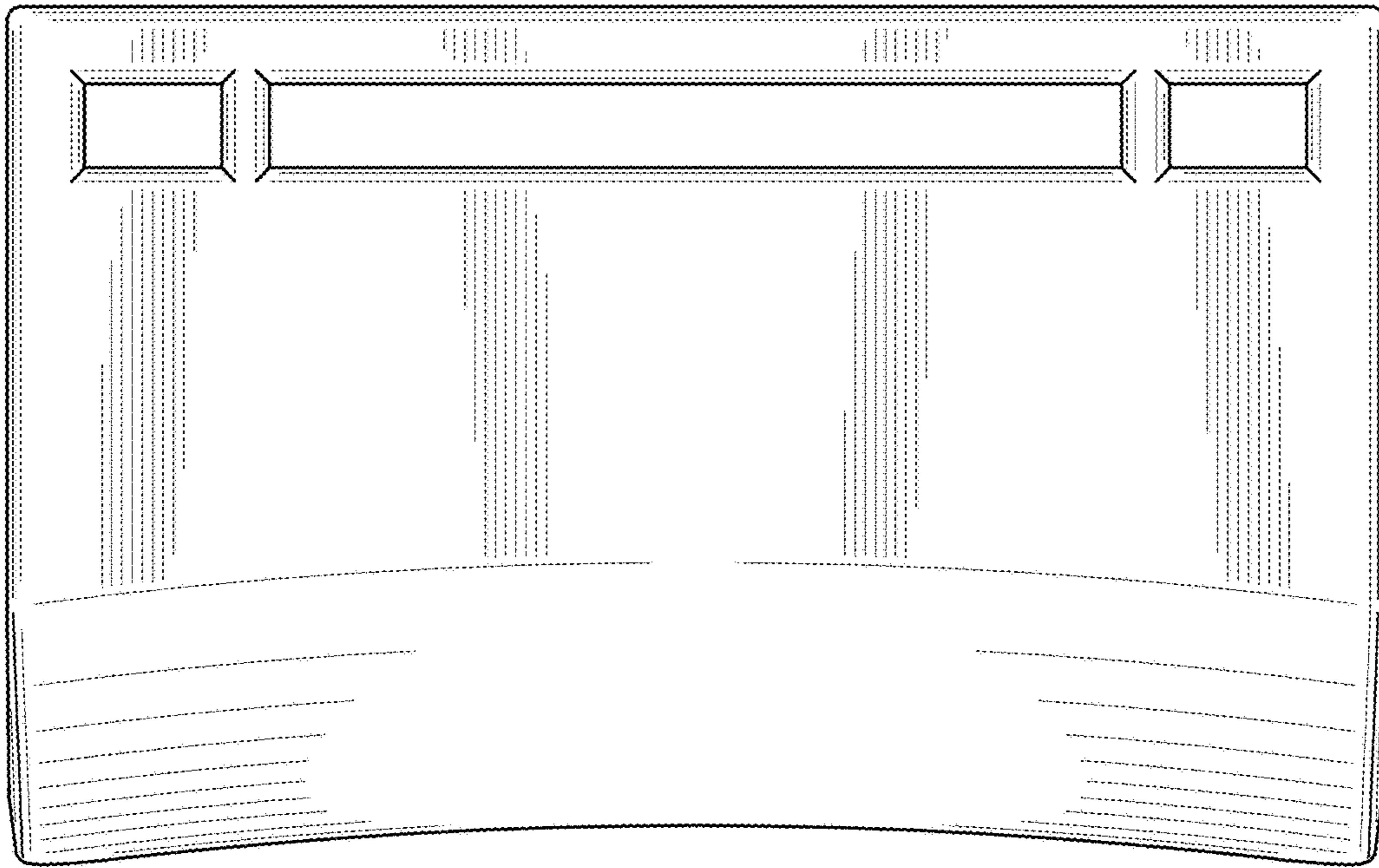


FIG. 2

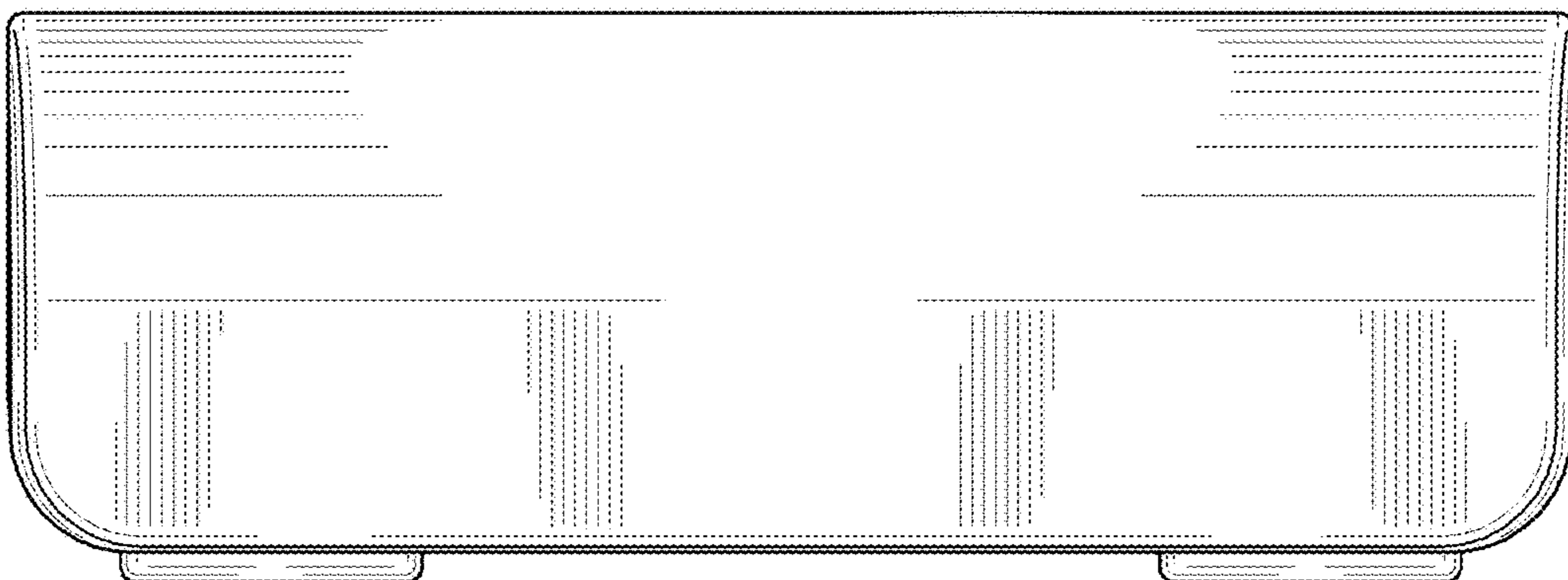


FIG. 3

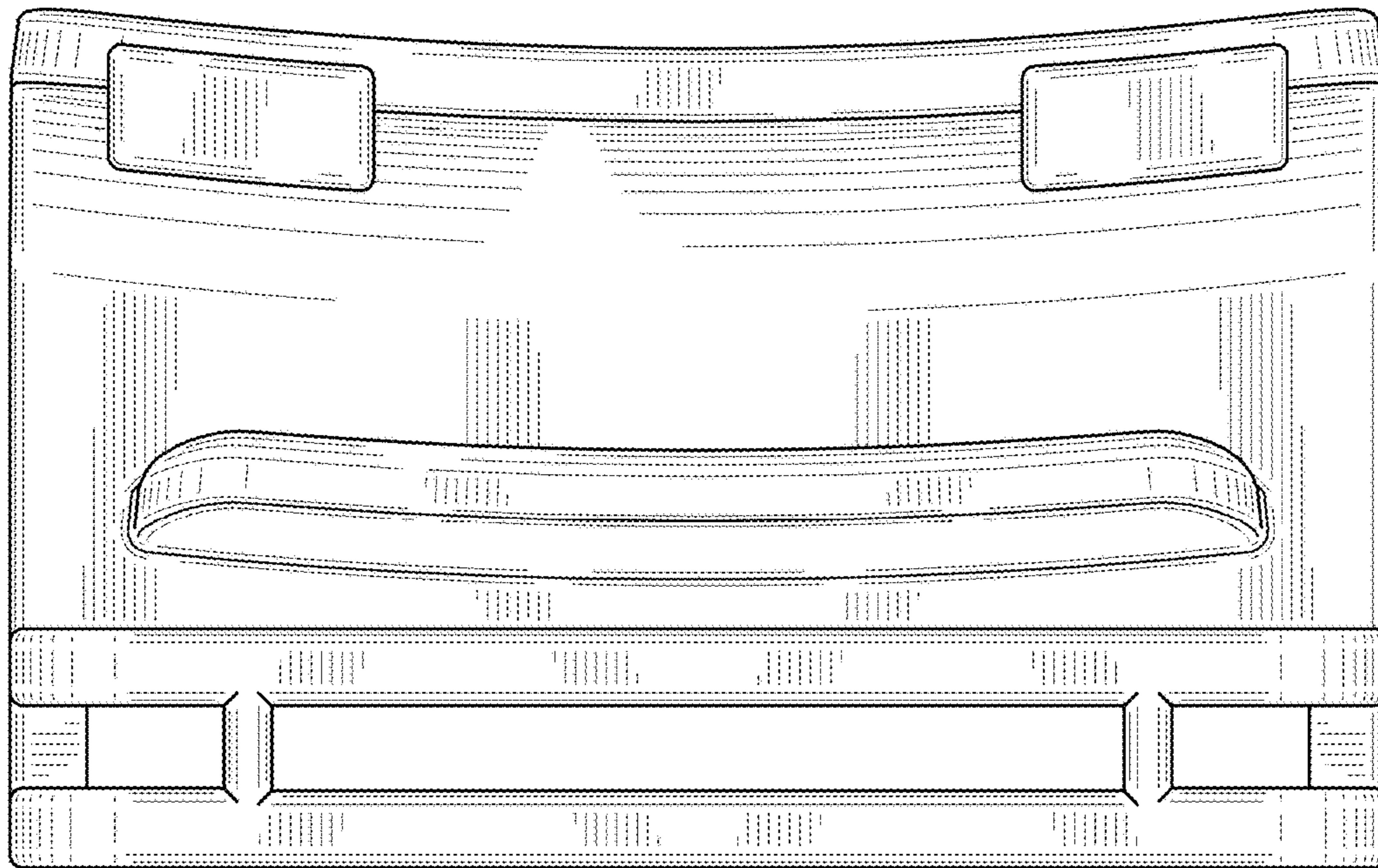


FIG. 4

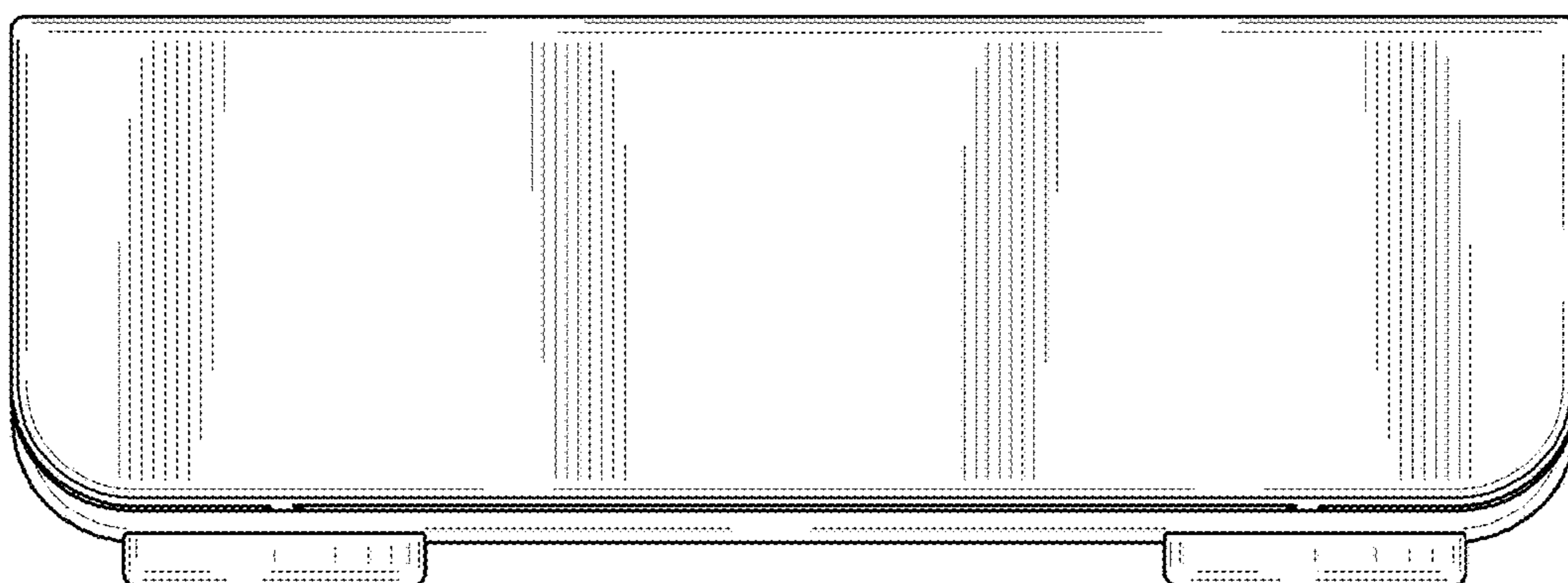


FIG. 5

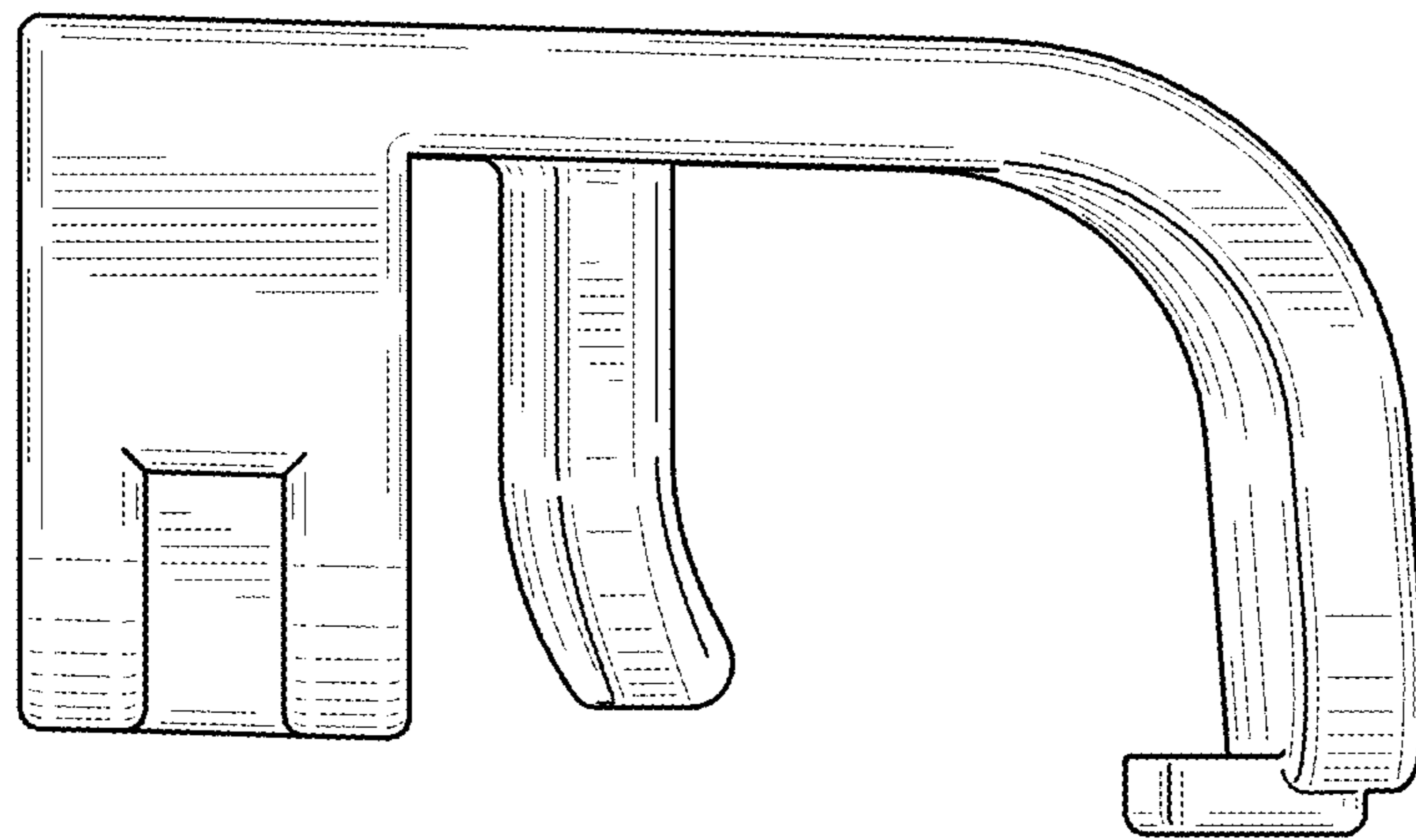


FIG. 6

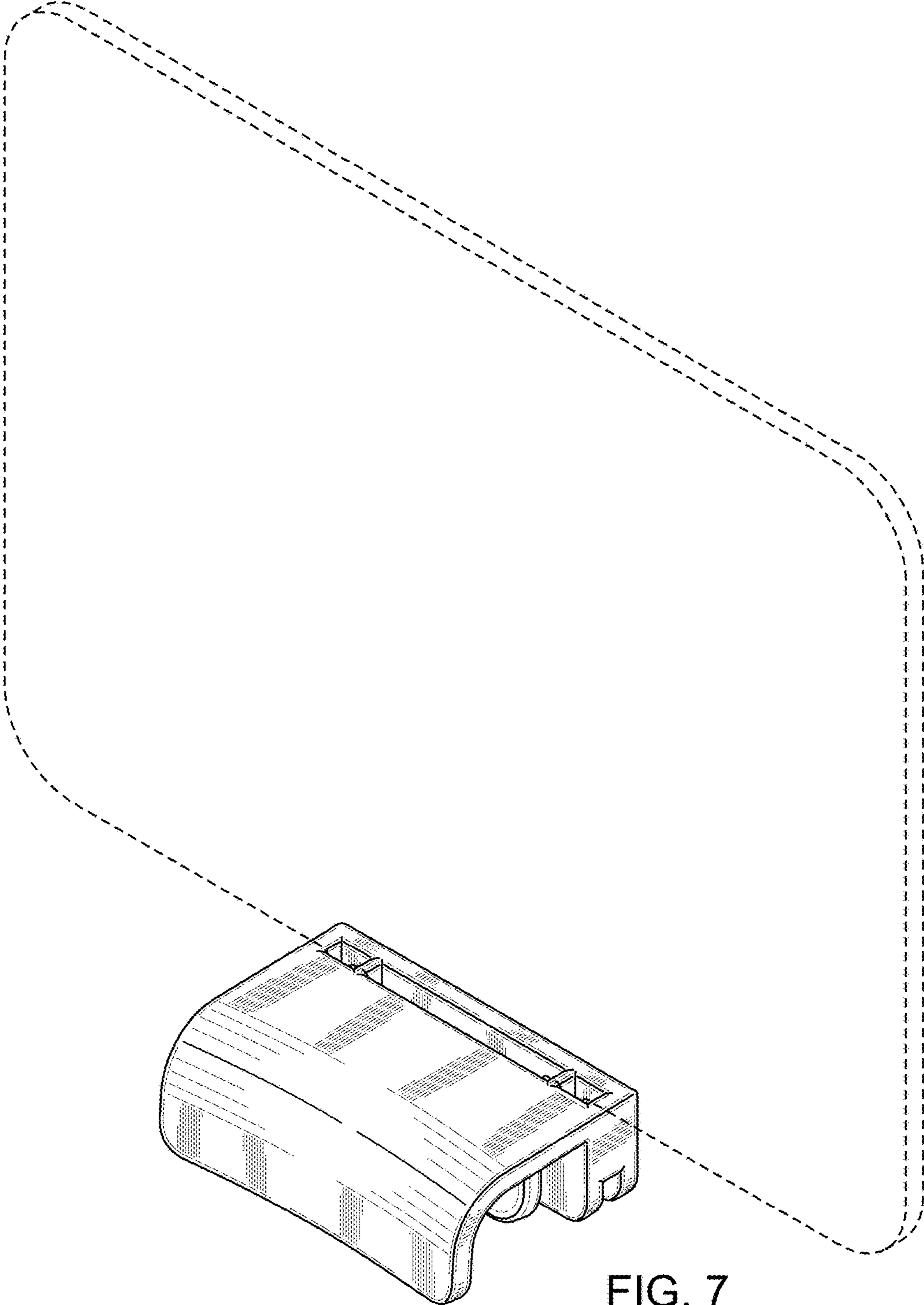


FIG. 7