



US00D817150S

(12) **United States Design Patent** (10) **Patent No.:** **US D817,150 S**
Nelson et al. (45) **Date of Patent:** **** May 8, 2018**

(54) **SUCTION CHAMBER BRACKET**
(71) Applicant: **GE Oil & Gas ESP, Inc.**, Oklahoma City, OK (US)
(72) Inventors: **Andrew Michael Nelson**, Oklahoma City, OK (US); **Johnathan Edward Peterson**, Oklahoma City, OK (US)
(73) Assignee: **GE Oil & Gas ESP, Inc.**, Oklahoma City, OK (US)

D442,471 S * 5/2001 Willett D8/354
6,807,780 B2 * 10/2004 McCahill E04C 3/02
248/300
D501,786 S * 2/2005 Zambon D8/343
D552,947 S * 10/2007 Ewasiuk D8/5
D561,561 S * 2/2008 Wohlford D8/354
D565,399 S * 4/2008 Grey D8/380
D580,742 S * 11/2008 Short D14/452
D588,441 S * 3/2009 Clarke D8/354
D595,122 S * 6/2009 Clarke D8/368

(Continued)

(**) Term: **14 Years**
(21) Appl. No.: **29/510,848**
(22) Filed: **Dec. 3, 2014**
(51) **LOC (11) Cl.** **08-05**
(52) **U.S. Cl.**
USPC **D8/354**
(58) **Field of Classification Search**
USPC D8/349, 354–355, 373, 380, 382–383,
D8/394, 396, 368, 344; D13/102, 118,
D13/149, 154, 155, 184, 199
CPC Y10S 277/936; B29C 43/003; E04C
2003/026; E04C 3/02; F16L 5/00
See application file for complete search history.

OTHER PUBLICATIONS

Fairview Pipe Stay Tineye, Tineye.com, [Online][Published Sep. 24, 2013][Accessed Feb. 9, 2017][<URL:https://tineye.com/search/bbd02e94f48f0968899acc143c9160cd29c368d6/?extension_ver=chrome-1.1.5>].*

(Continued)

Primary Examiner — Rosemary K Tarcza
Assistant Examiner — Nathaniel D. Buckner
(74) *Attorney, Agent, or Firm* — Crowe & Dunlevy, P.C.

(57) **CLAIM**

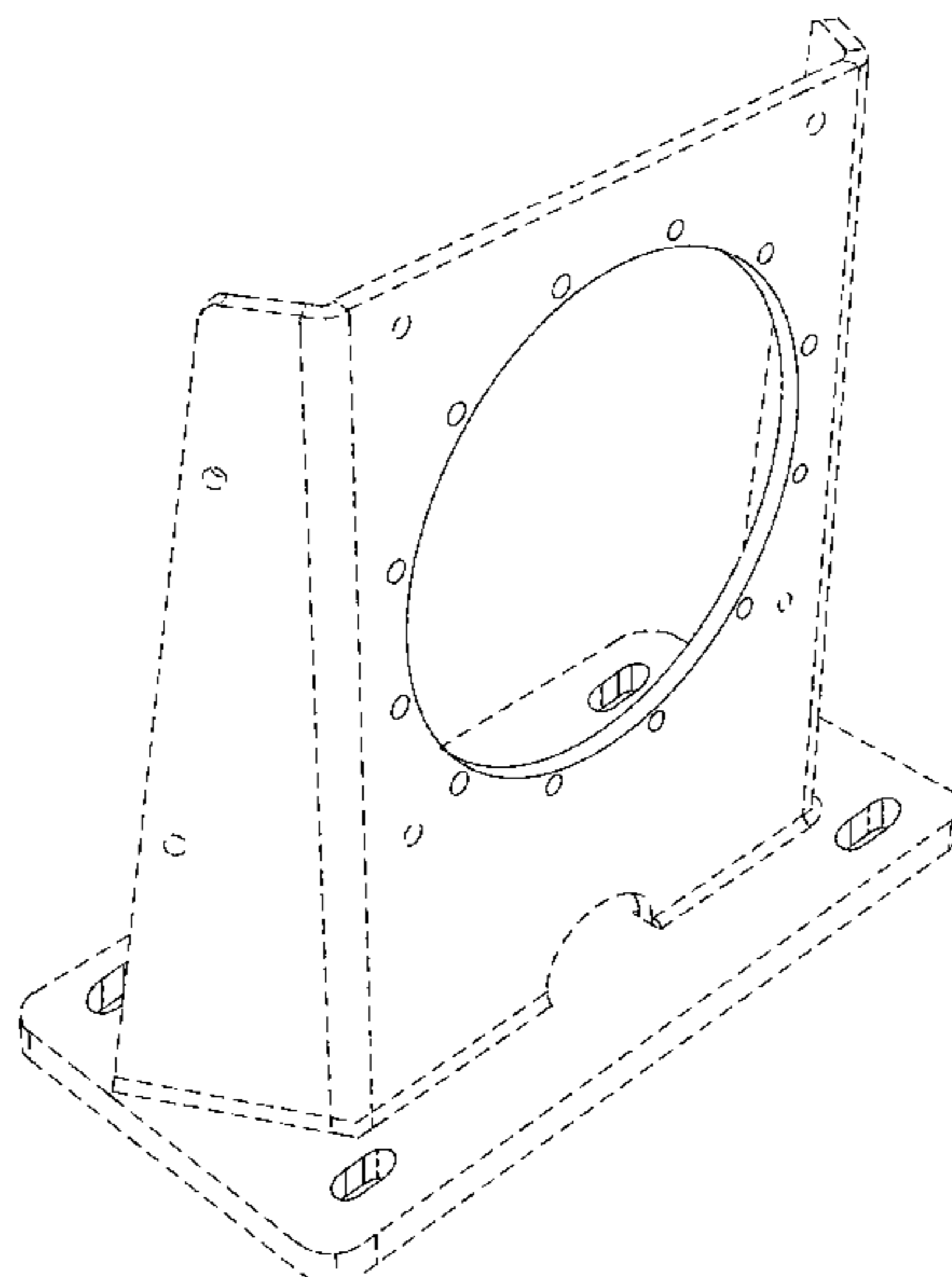
The ornamental design for a suction chamber bracket, as shown and described.

DESCRIPTION

FIG. 1 is a front perspective view of a suction chamber bracket constructed in accordance with a first preferred embodiment.
FIG. 2 is a front view of the design of FIG. 1.
FIG. 3 is a left side view of the design of FIG. 1.
FIG. 4 is a top side view of the design of FIG. 1.
FIG. 5 is a rear view of the design of FIG. 1.
FIG. 6 is a bottom view of the design of FIG. 1; and,
FIG. 7 is a bottom view of a suction chamber bracket constructed in accordance with a second preferred embodiment.

1 Claim, 7 Drawing Sheets

(56) **References Cited**
U.S. PATENT DOCUMENTS
3,105,664 A * 10/1963 Poradun F16L 5/00
248/56
D244,508 S * 5/1977 Neece D8/354
5,263,676 A * 11/1993 Medlin, Jr. H02G 3/126
220/3.6
D364,794 S * 12/1995 Eberschlag D8/354
D371,506 S * 7/1996 Nofziger D8/354
D384,677 S 10/1997 Wunner et al.
5,723,192 A * 3/1998 Jonasz C08K 7/02
277/608
D431,770 S * 10/2000 Willet D8/354
D431,999 S * 10/2000 Haltof D8/354
D434,304 S * 11/2000 Willett D8/354



(56)

References Cited

U.S. PATENT DOCUMENTS

D641,379 S 7/2011 Milojevic et al.
D641,380 S 7/2011 Milojevic et al.
D641,381 S 7/2011 Milojevic et al.
D666,078 S * 8/2012 Foley D8/354
D667,025 S 9/2012 Wunner
RE44,515 E * 10/2013 Ciungan D14/452
D696,695 S 12/2013 Sofussen et al.
D696,696 S 12/2013 Sofussen et al.
D699,549 S * 2/2014 Giessmann D8/380
D747,177 S * 1/2016 McGinty D8/349
2003/0196355 A1 * 10/2003 Castro B60R 13/105
40/209

OTHER PUBLICATIONS

Veranda Bracket Tineye, Tineye.com, [Online][Published Dec. 29, 2013][Accessed Feb. 9, 2017][<URL:https://tineye.com/search/9b61057e34794494836a3633bd859bb1359fe3e2/

?extension_ver=chrome-1.1.5>.*

U.S. Office Action issued in connection with related U.S. Appl. No. 29/510,850 dated Jul. 30, 2015.

Nelson et al., Dec. 3, 2014, U.S. Appl. No. 29/510,850.

* cited by examiner

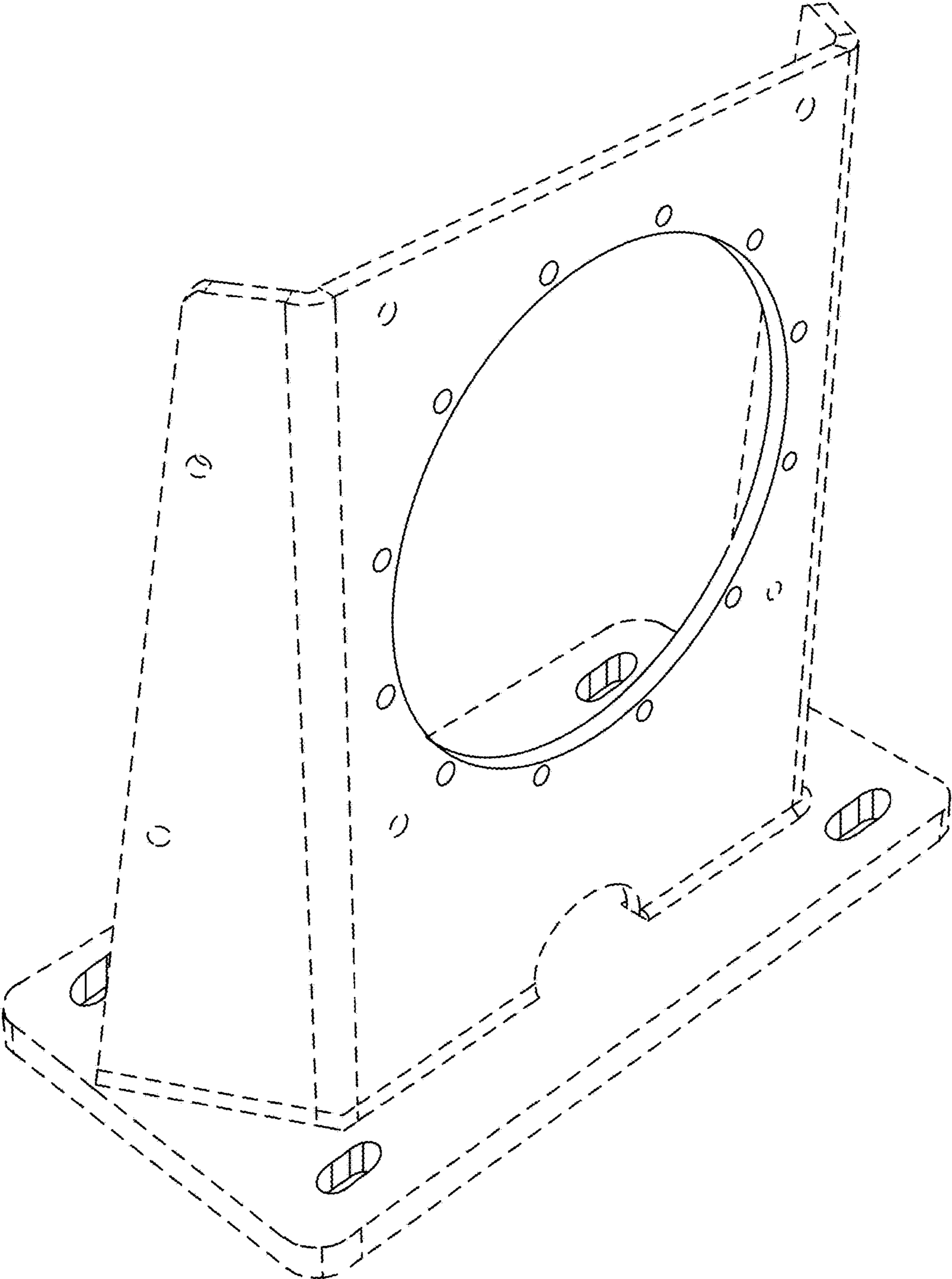


FIG. 1

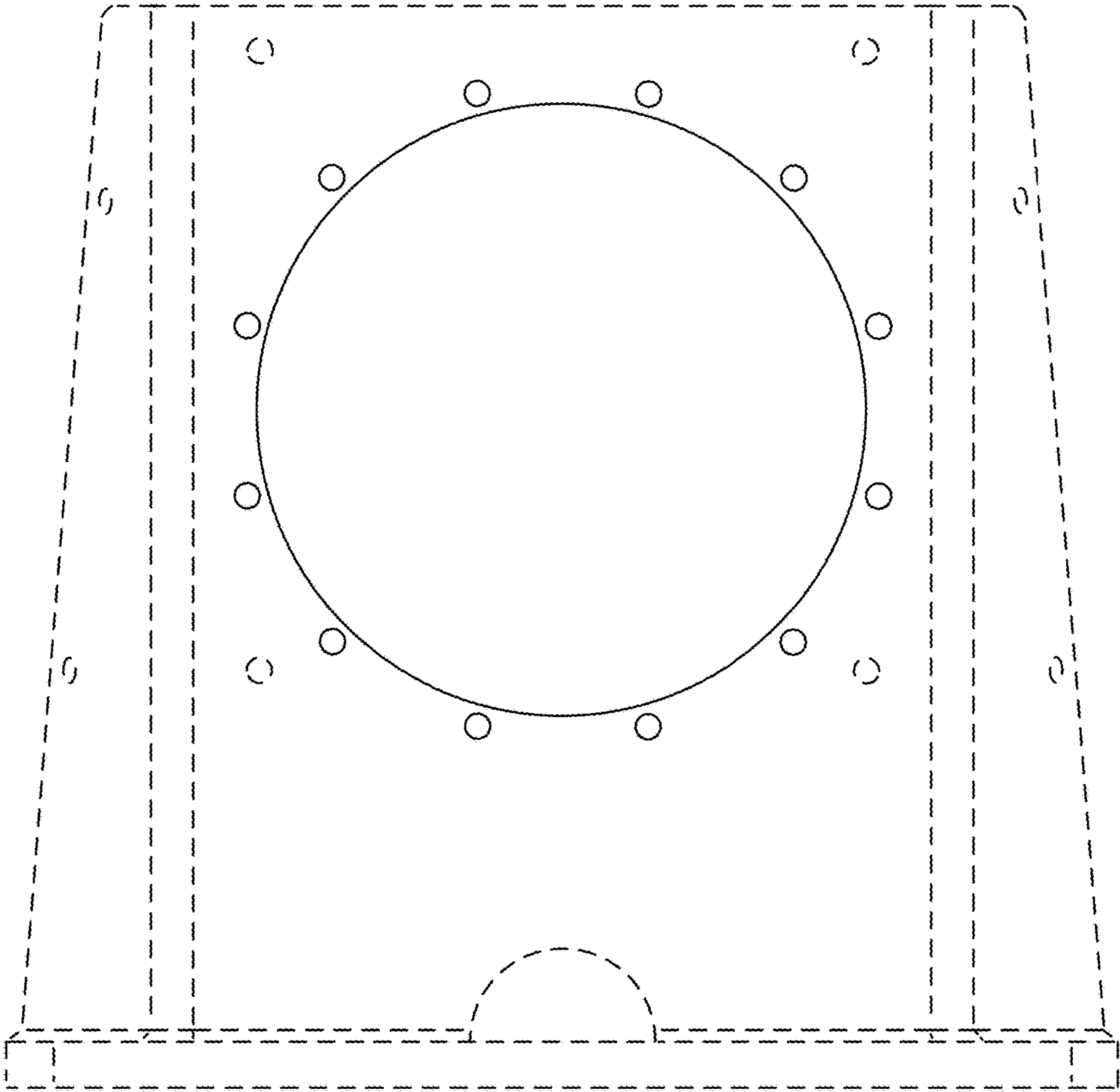


FIG. 2

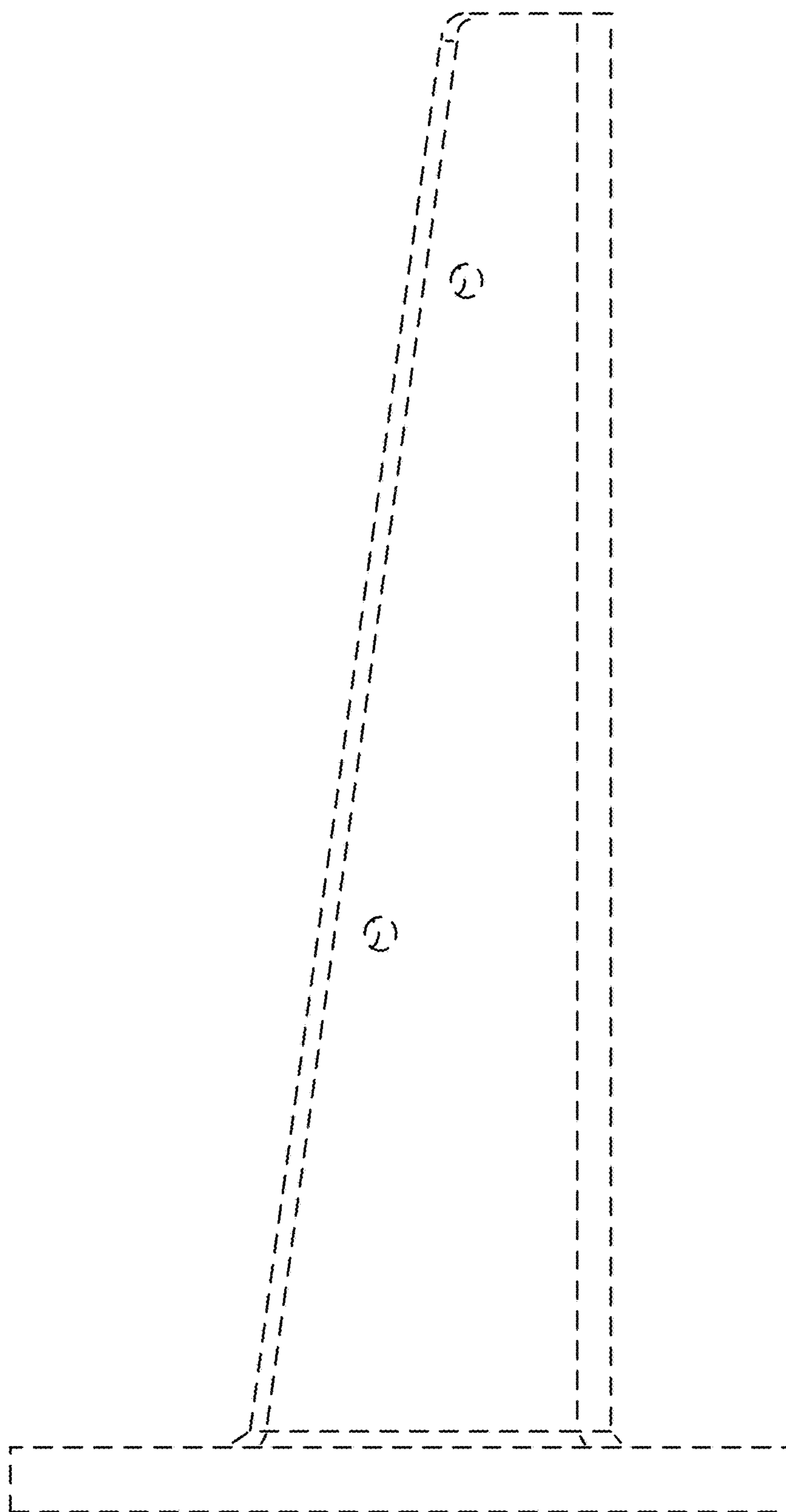


FIG. 3

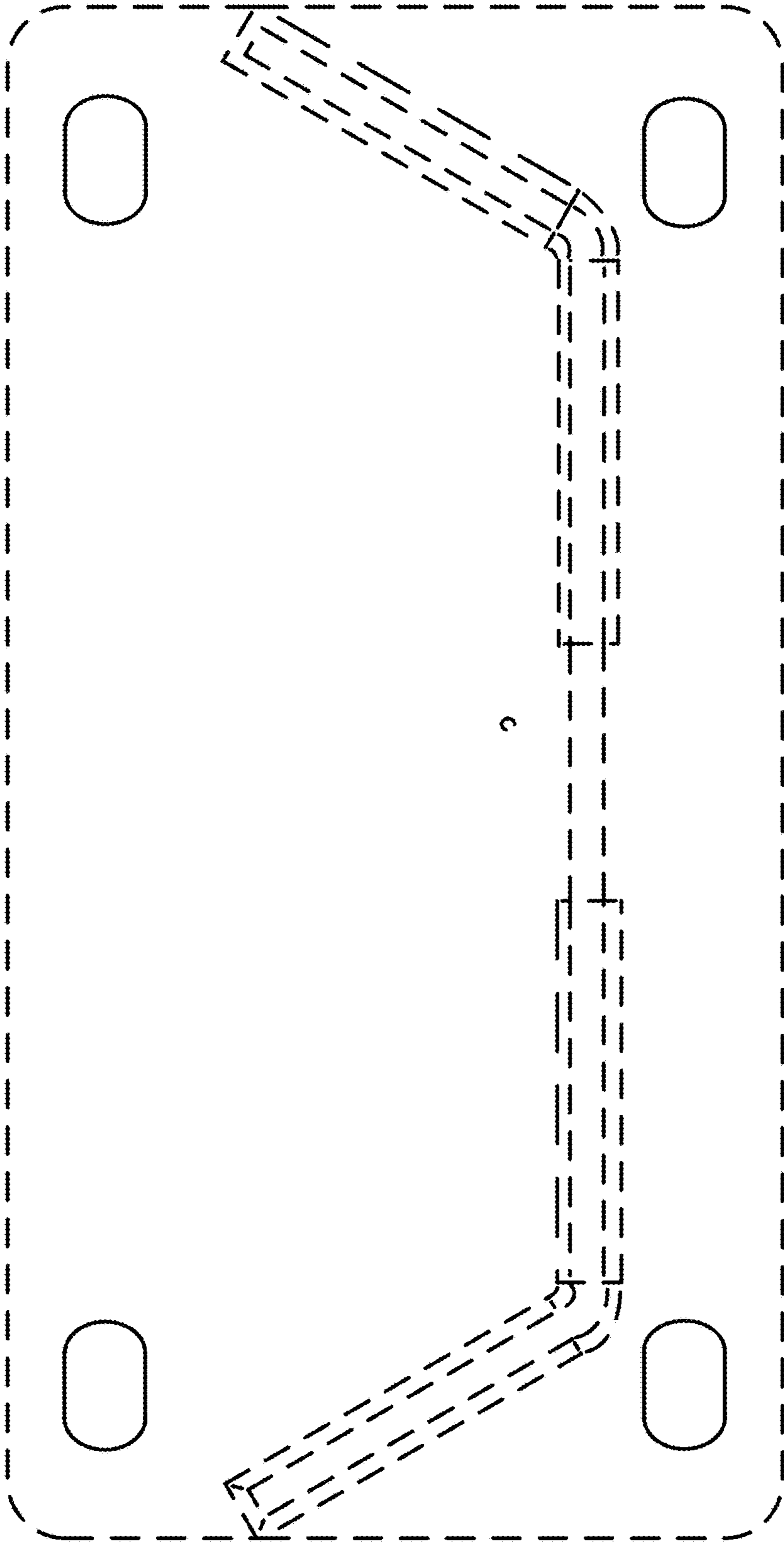


FIG. 4

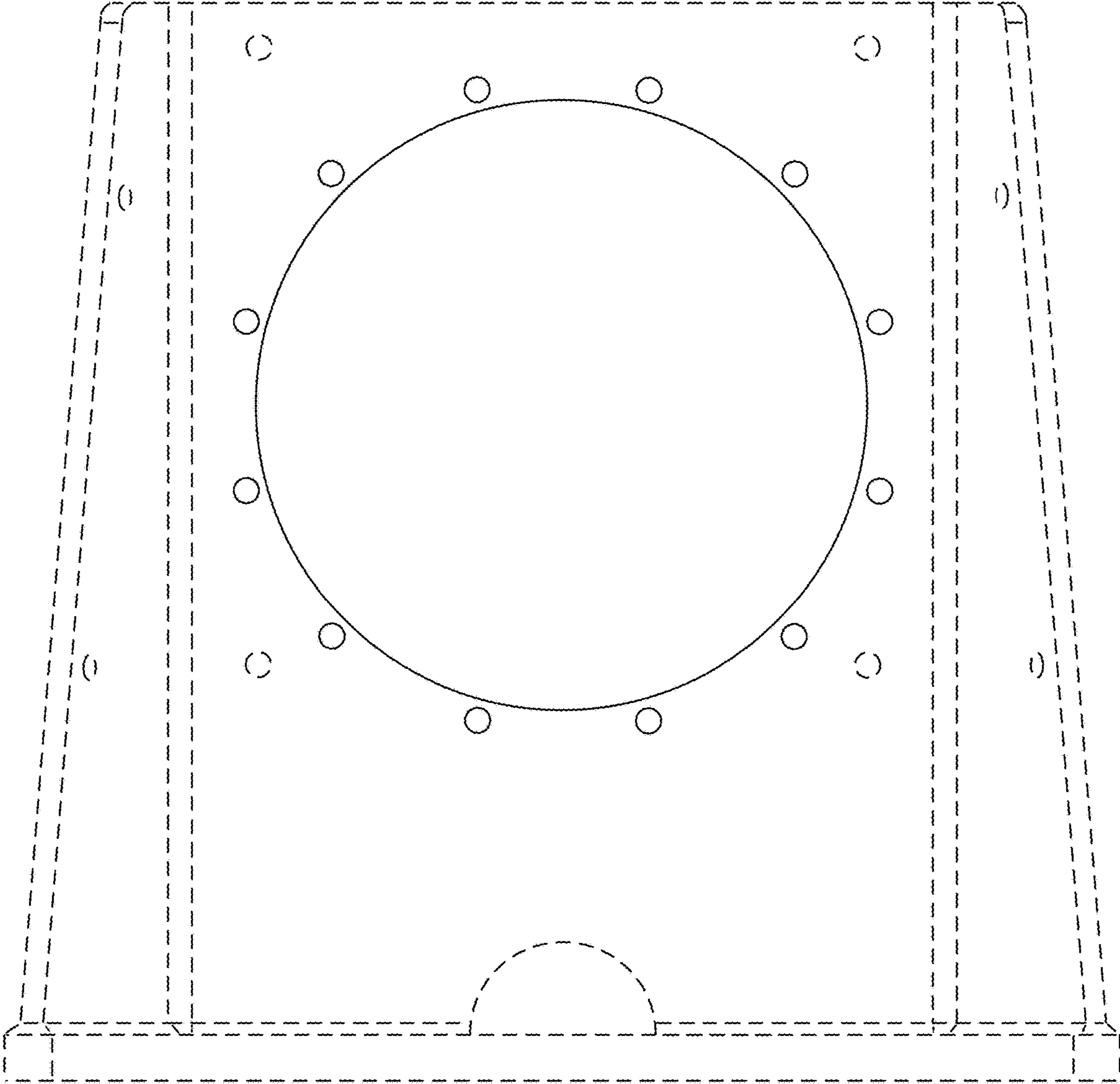


FIG. 5

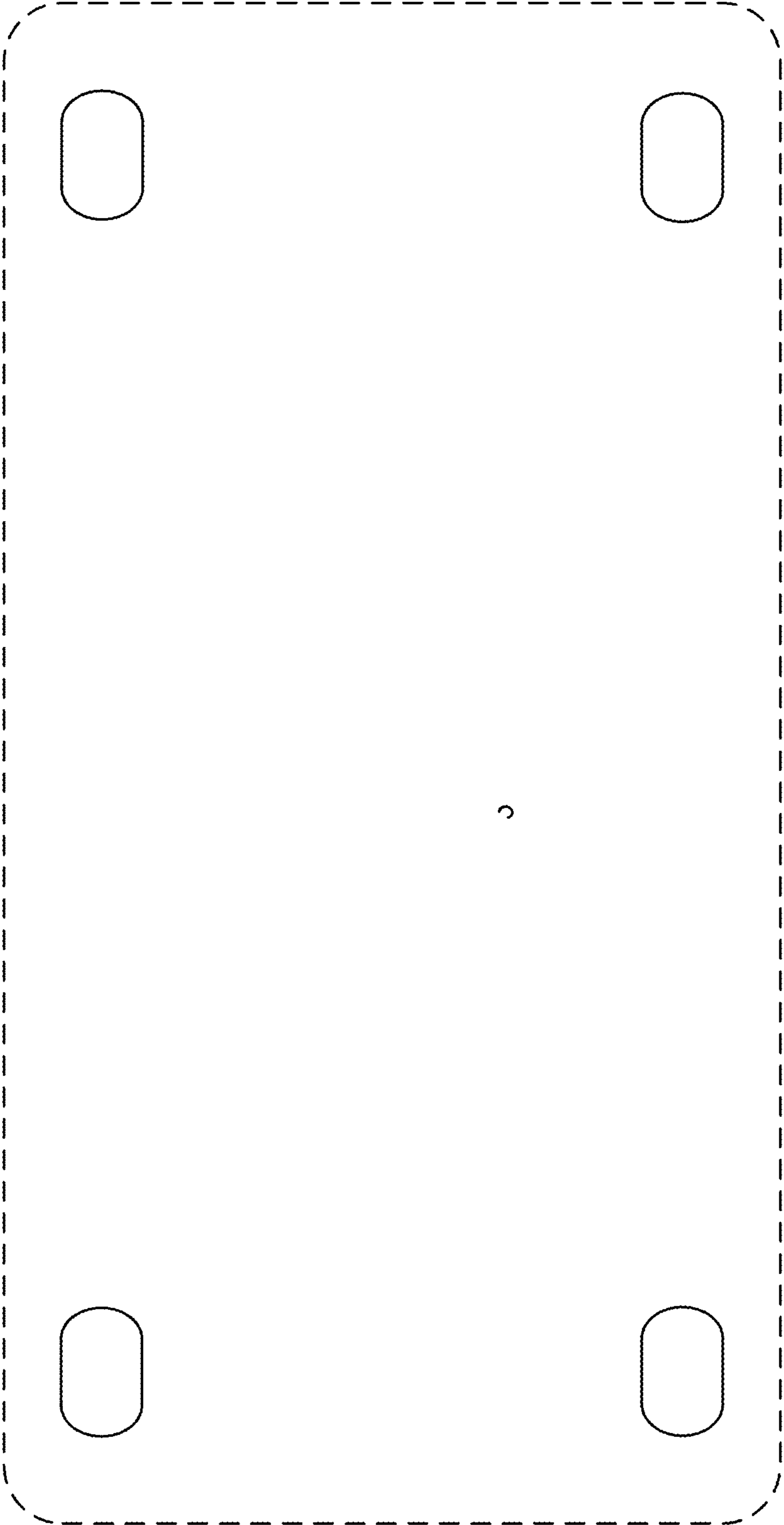


FIG. 6

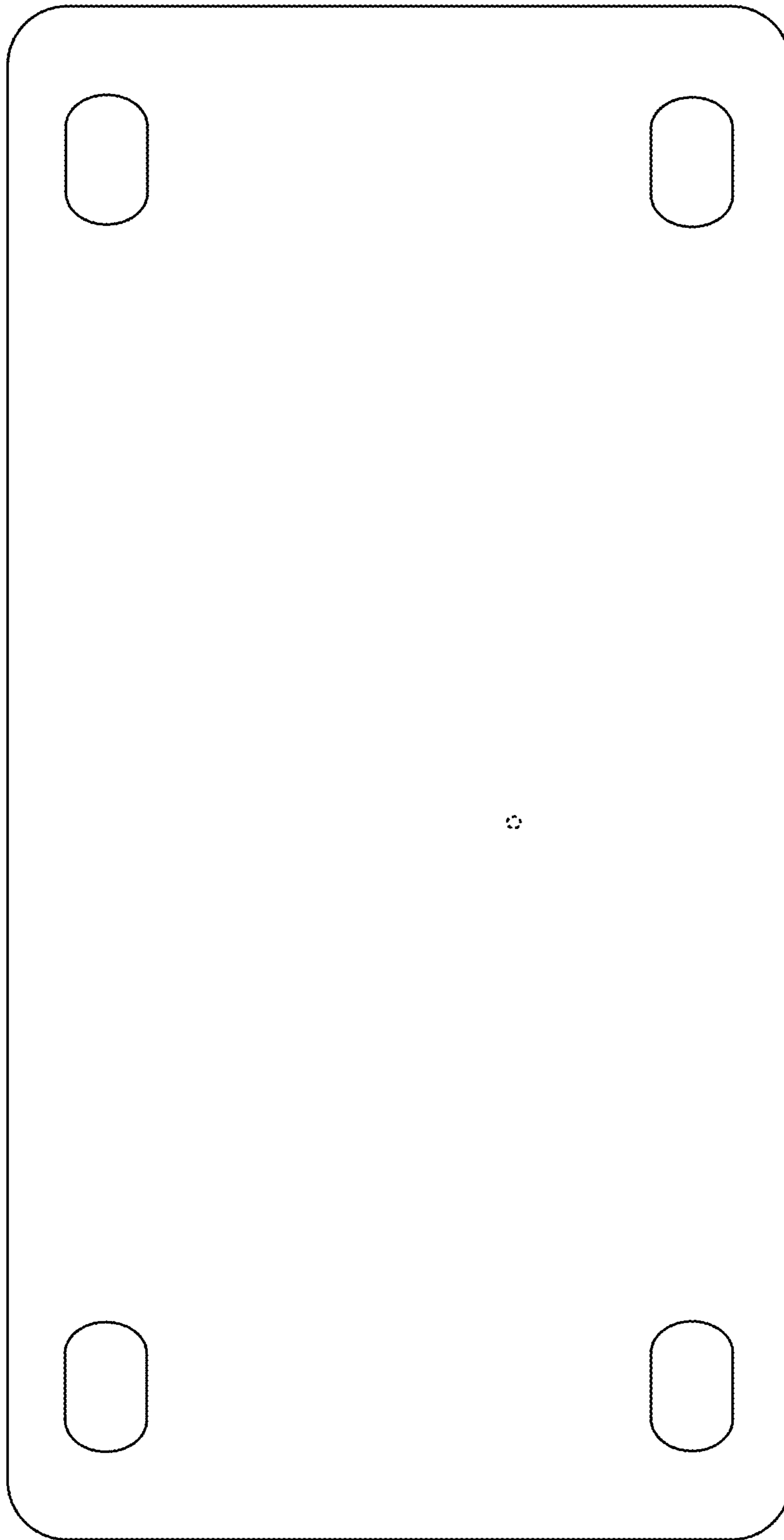


FIG. 7