



US00D817148S

(12) **United States Design Patent**
Carpintero et al.

(10) **Patent No.:** **US D817,148 S**

(45) **Date of Patent:** **** May 8, 2018**

(54) **LOCKING SYSTEM HOUSING**

(71) Applicant: **KABA ILCO INC.**, Montréal (CA)

(72) Inventors: **Carlos Carpintero**, St-Laurent (CA);
Patrice Magnan, Montreal (CA)

(73) Assignee: **dormakaba Canada Inc.**, Montréal (CA)

(**) Term: **15 Years**

(21) Appl. No.: **29/599,567**

(22) Filed: **Apr. 5, 2017**

(51) **LOC (11) Cl.** **08-07**

(52) **U.S. Cl.**
USPC **D8/331**; D8/330; D8/350

(58) **Field of Classification Search**
USPC D8/330, 331, 334, 300, 301, 350; 70/14,
70/20-22, 57, 57.1, 284-286, 314,
70/DIG. 44, 266, 277, 271; 292/288-292
CPC E05B 9/00; E05B 9/02; E05B 2009/006;
E05B 49/00; E05B 19/00; E05B 15/00;
E05B 49/02; E05B 17/00; E05B 3/00
See application file for complete search history.

(56) **References Cited**

U.S. PATENT DOCUMENTS

- D295,829 S * 5/1988 Ortega D8/301
- 5,987,945 A * 11/1999 Ruano Aramburu
E05B 47/0692
70/107
- 6,758,070 B2 * 7/2004 Yu E05B 47/068
292/144
- 6,865,913 B2 * 3/2005 Yamagishi G07C 9/00563
70/224
- 7,091,429 B2 * 8/2006 Case E05B 15/02
200/314
- D597,821 S * 8/2009 Nunez D8/330
- 7,964,631 B2 * 6/2011 Lal C07D 327/02
514/431
- D752,946 S * 4/2016 Shen D8/330

- D790,951 S * 7/2017 Ferreira Sanchez D8/331
- D790,956 S * 7/2017 Hetfield D8/330
- D791,577 S * 7/2017 Hetfield D8/330

* cited by examiner

Primary Examiner — Prabhakar Deshmukh

(74) *Attorney, Agent, or Firm* — Norton Rose Fulbright
Canada LLP; Alexandre Daoust

(57) **CLAIM**

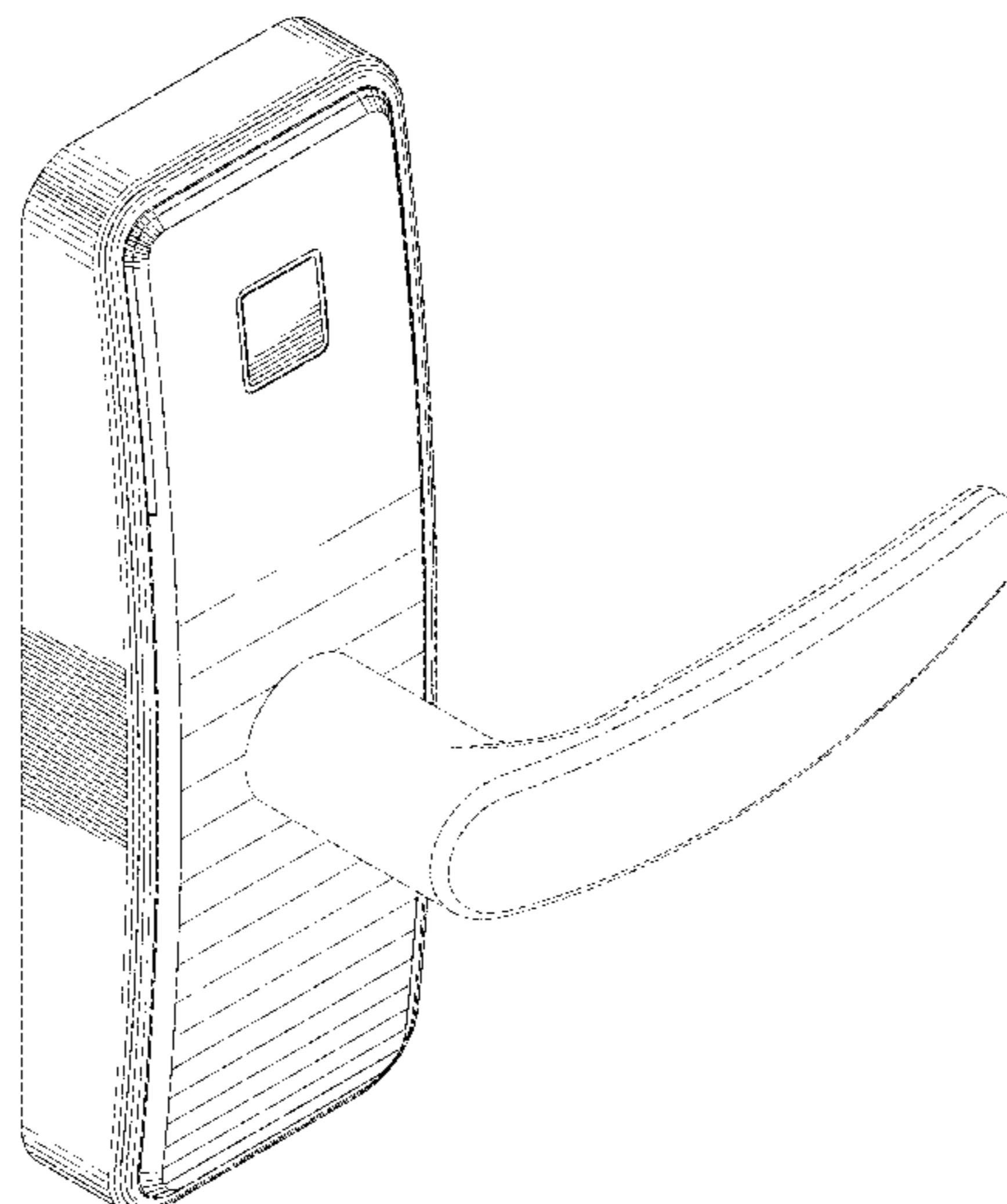
The ornamental design for a locking system housing, as shown and described.

DESCRIPTION

FIG. 1 is a front and left perspective view of a locking system housing showing our new design;
 FIG. 2 is a front elevational view thereof;
 FIG. 3 is a left side elevational view thereof;
 FIG. 4 is a right side elevational view thereof;
 FIG. 5 is a top plan view thereof;
 FIG. 6 is a bottom plan view thereof;
 FIG. 7 is a rear elevational view thereof;
 FIG. 8 is a top, front, and left perspective view of a second embodiment of a locking system housing;
 FIG. 9 is a front elevational view of FIG. 8;
 FIG. 10 is a left side elevational view of FIG. 8;
 FIG. 11 is a right side elevational view of FIG. 8;
 FIG. 12 is a top plan view of FIG. 8;
 FIG. 13 is a bottom plan view of FIG. 8;
 FIG. 14 is a rear elevational view FIG. 8;
 FIG. 15 is a top, front, and left perspective view of a third embodiment of a locking system housing;
 FIG. 16 is a front elevational view of FIG. 15;
 FIG. 17 is a left side elevational view of FIG. 15;
 FIG. 18 is a right side elevational view of FIG. 15;
 FIG. 19 is a top plan view of FIG. 15;
 FIG. 20 is a bottom plan view of FIG. 15; and,
 FIG. 21 is a rear elevational view FIG. 15.

The broken lines indicate unclaimed portions and form no part of the claimed design.

1 Claim, 18 Drawing Sheets



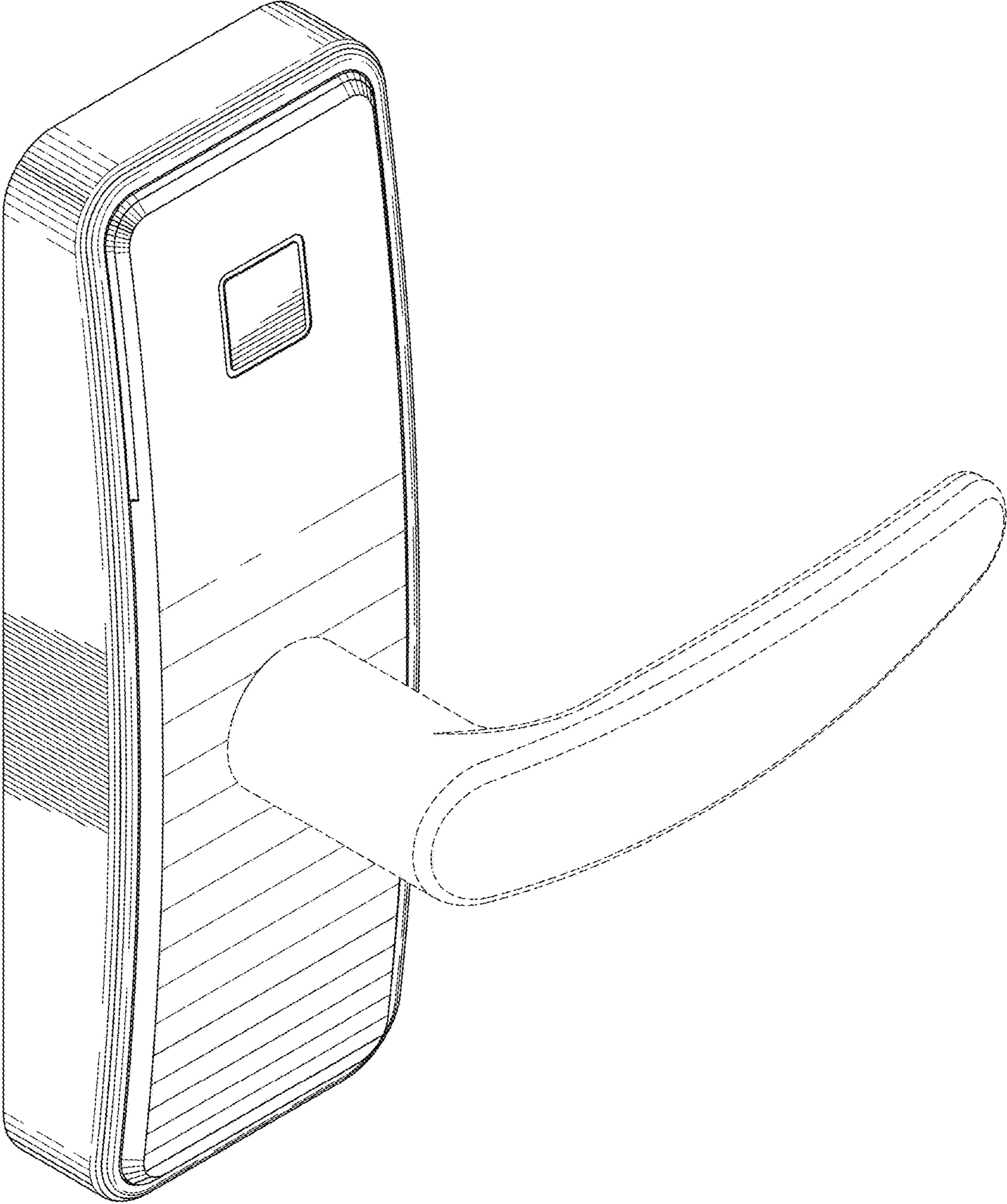


Figure 1

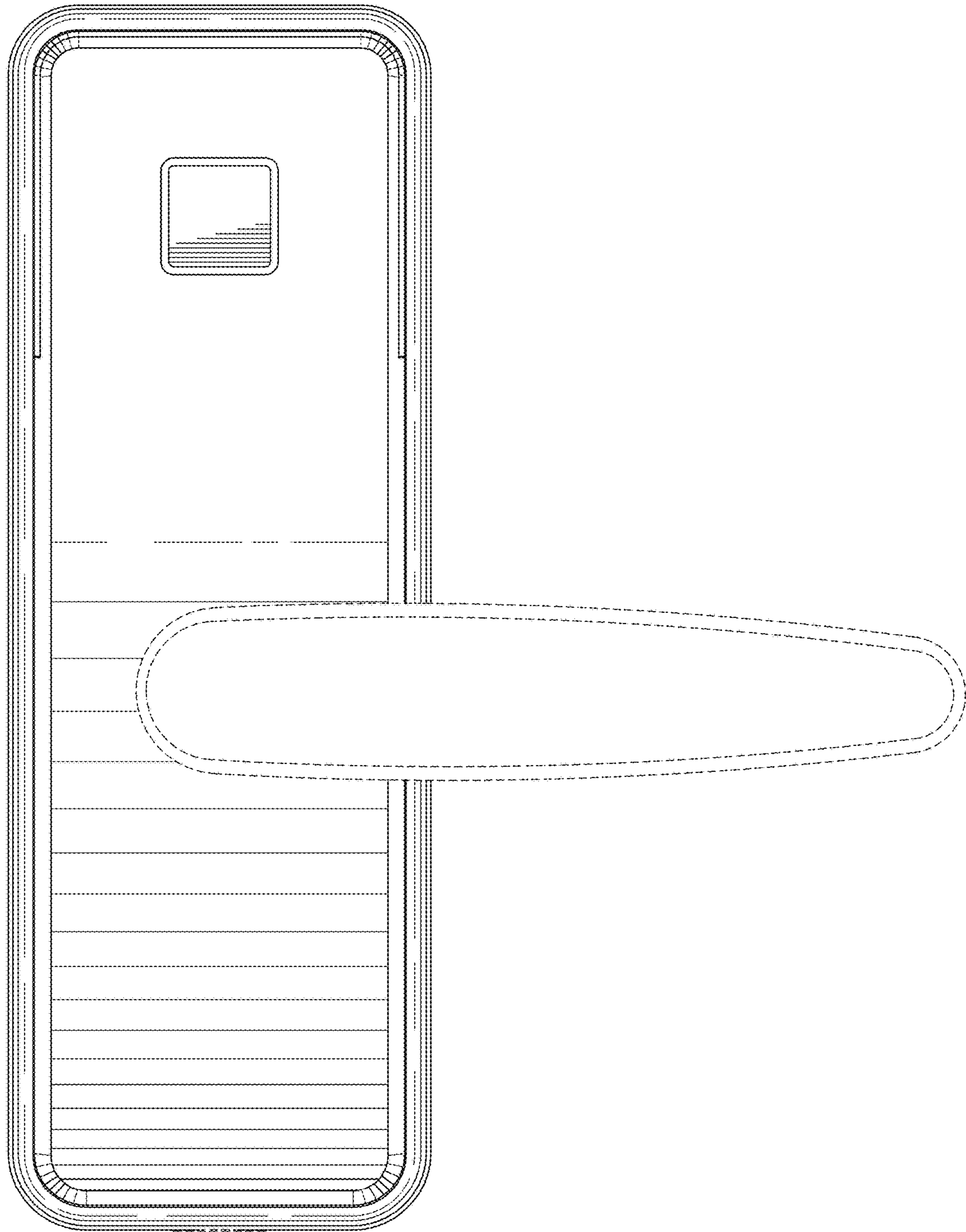
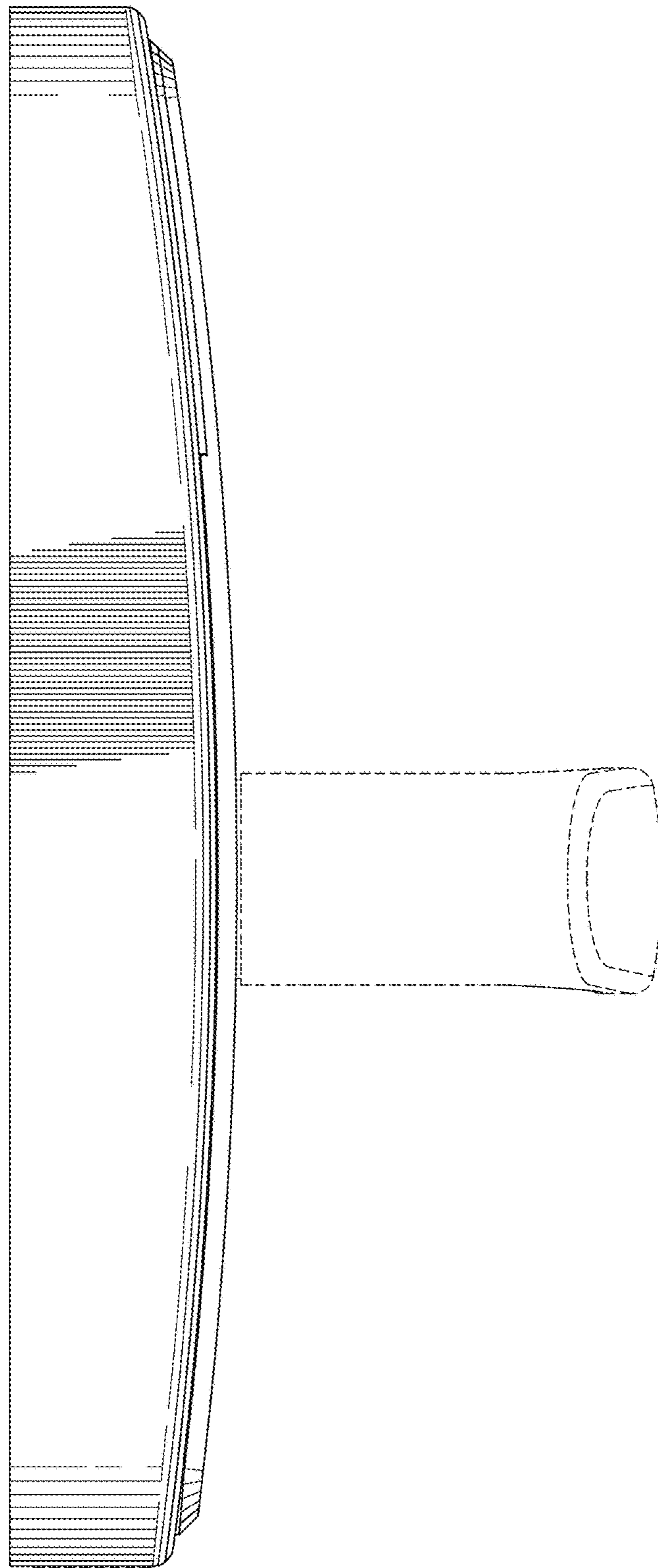


FIG. 2



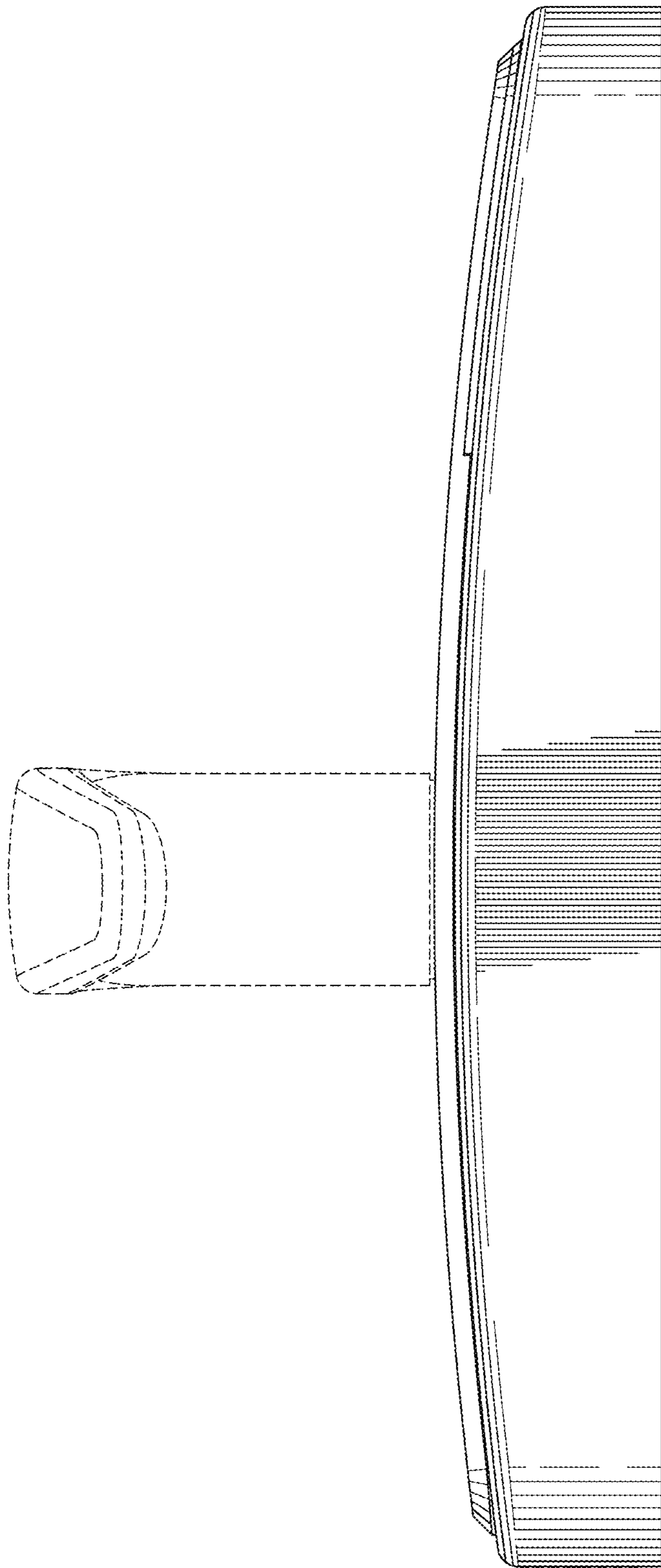


FIG. 4

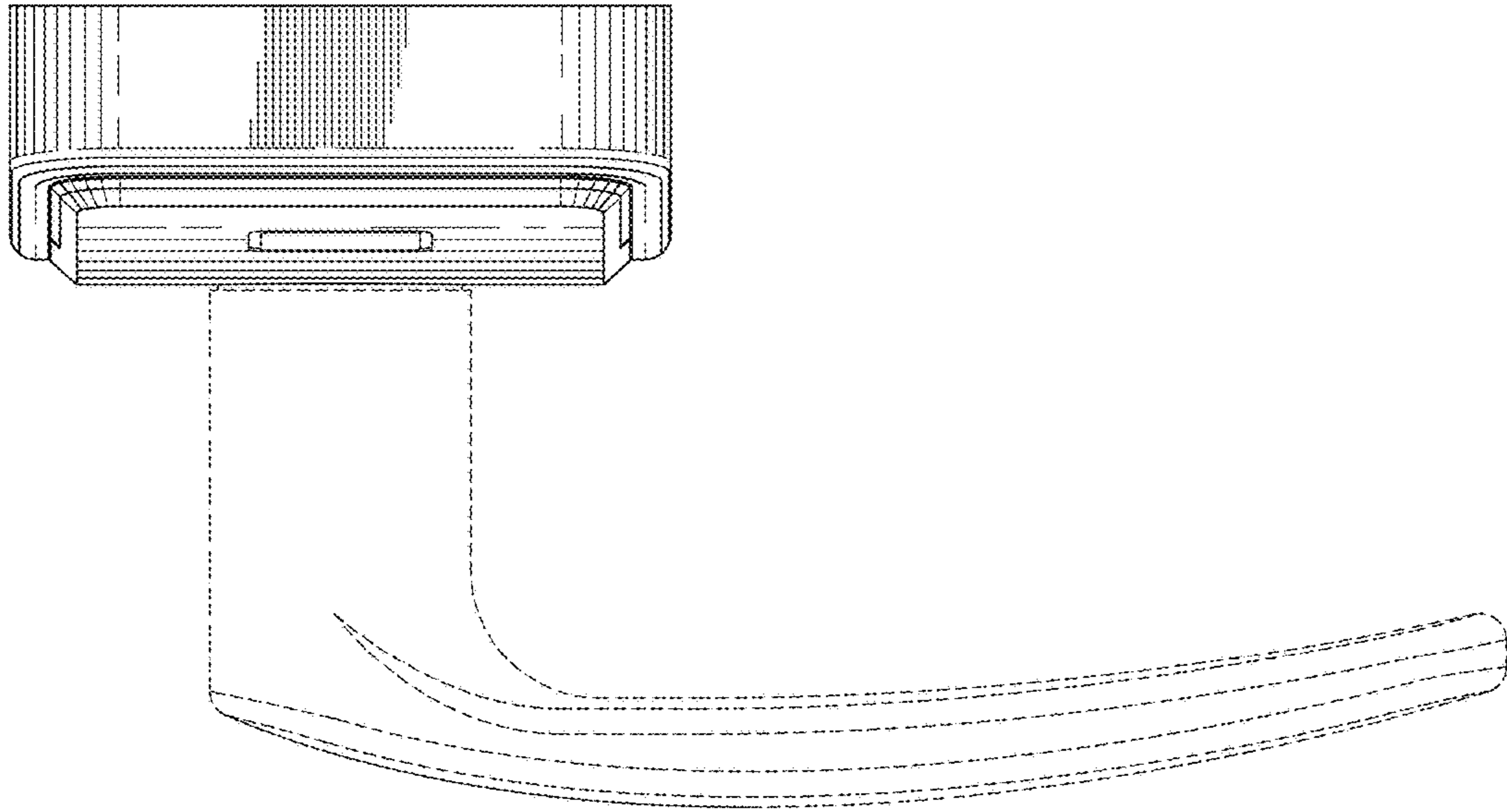


FIG. 5

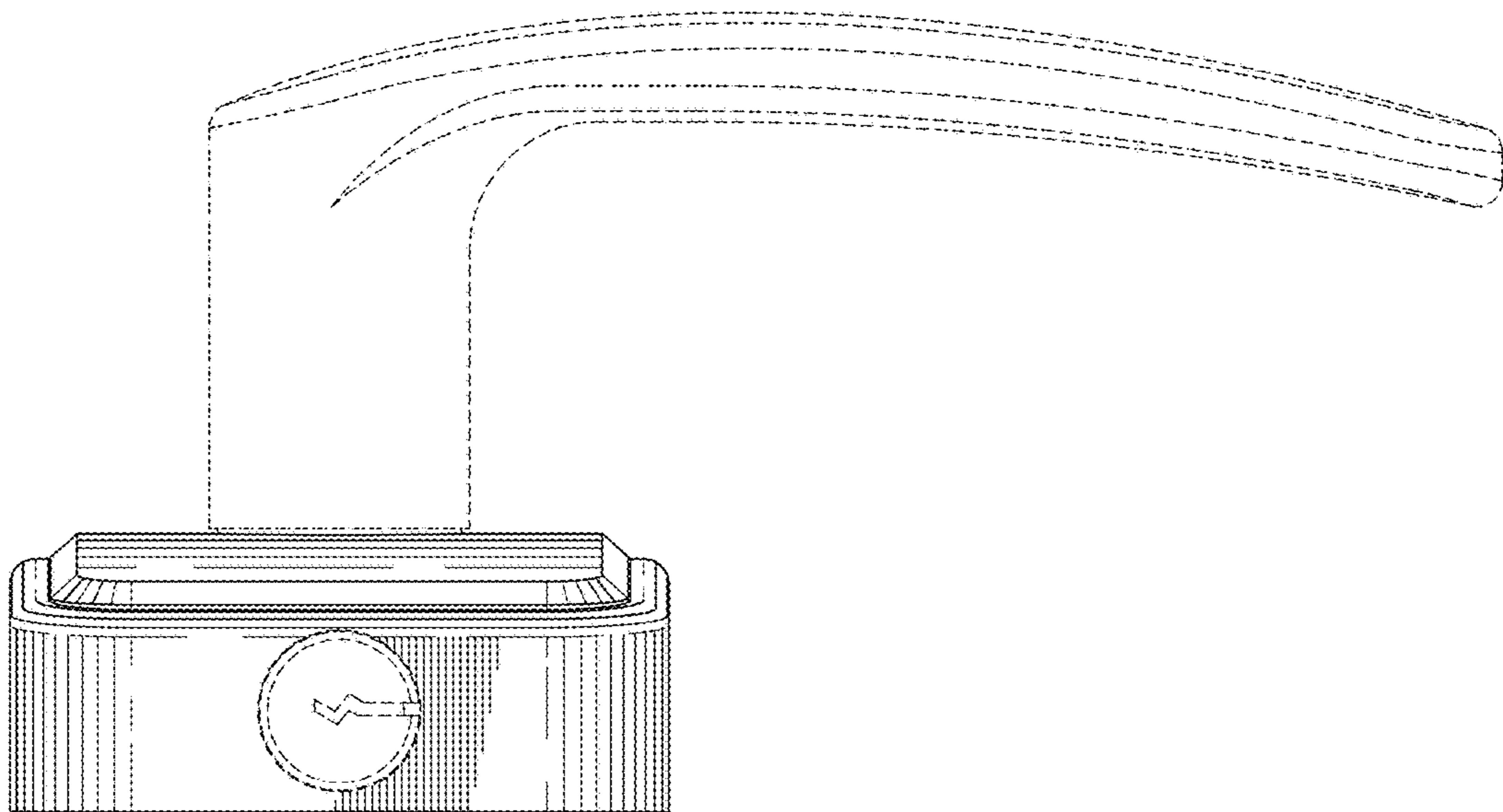


FIG. 6

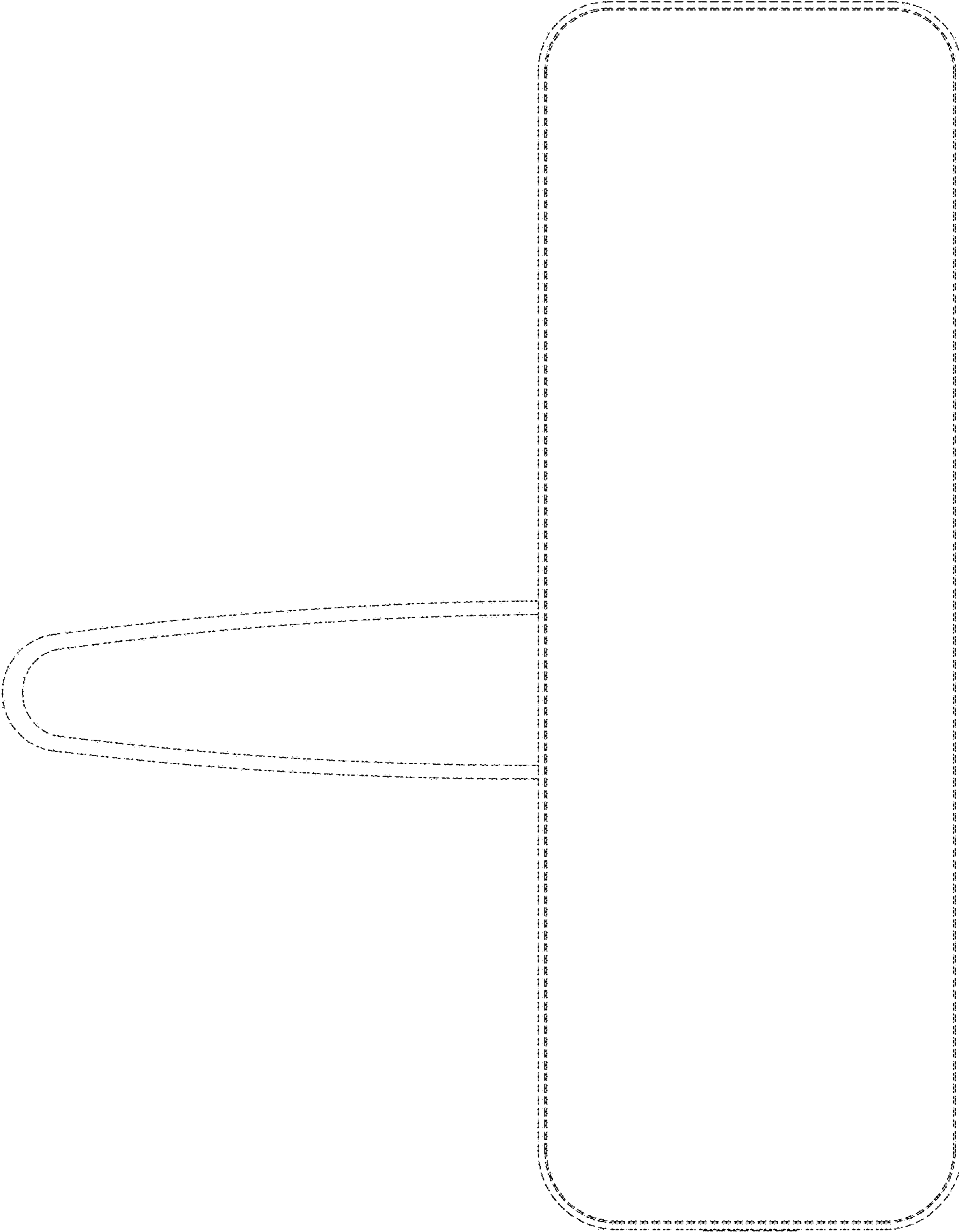


FIG. 7

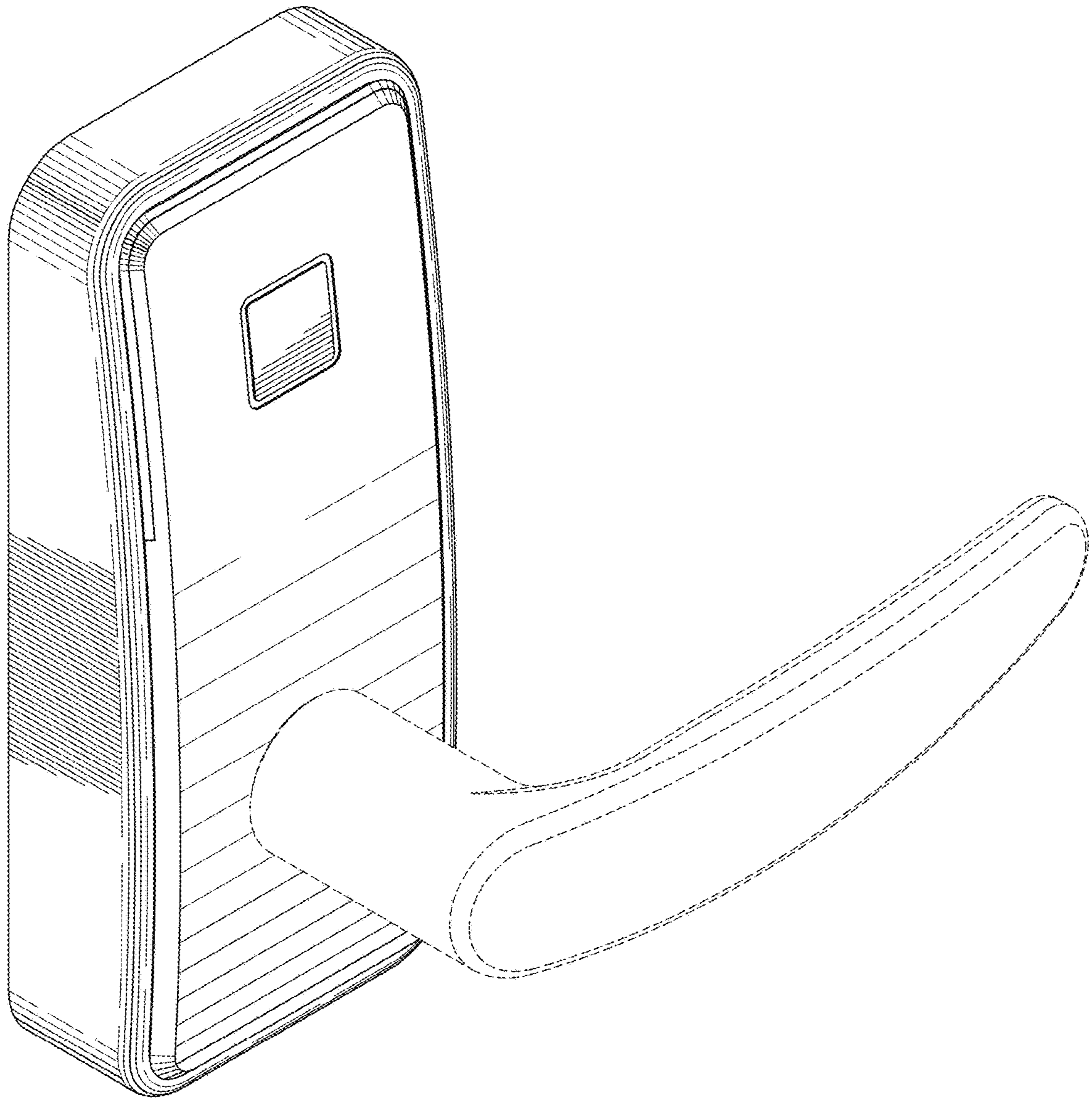


FIG. 8

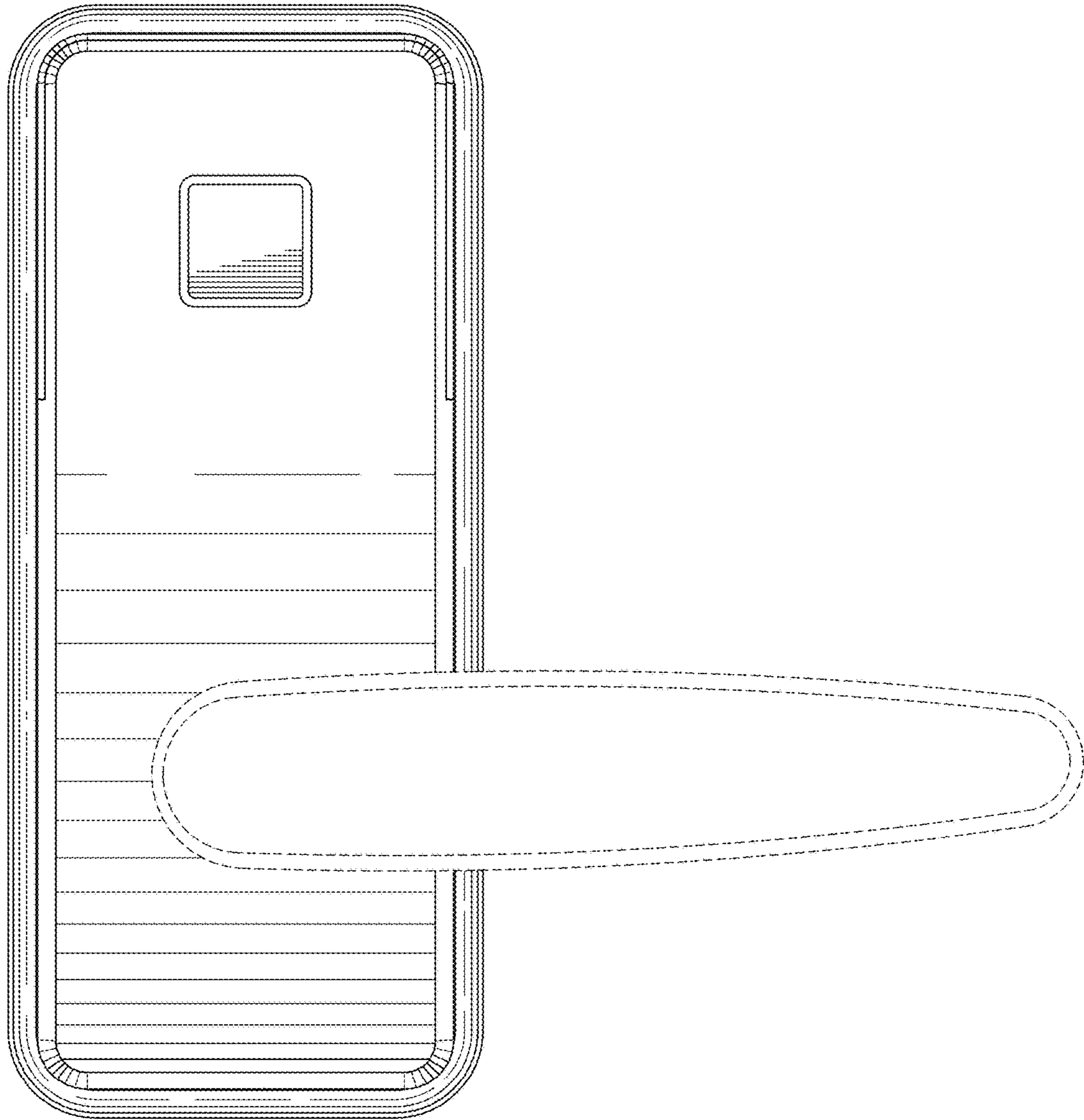


FIG. 9

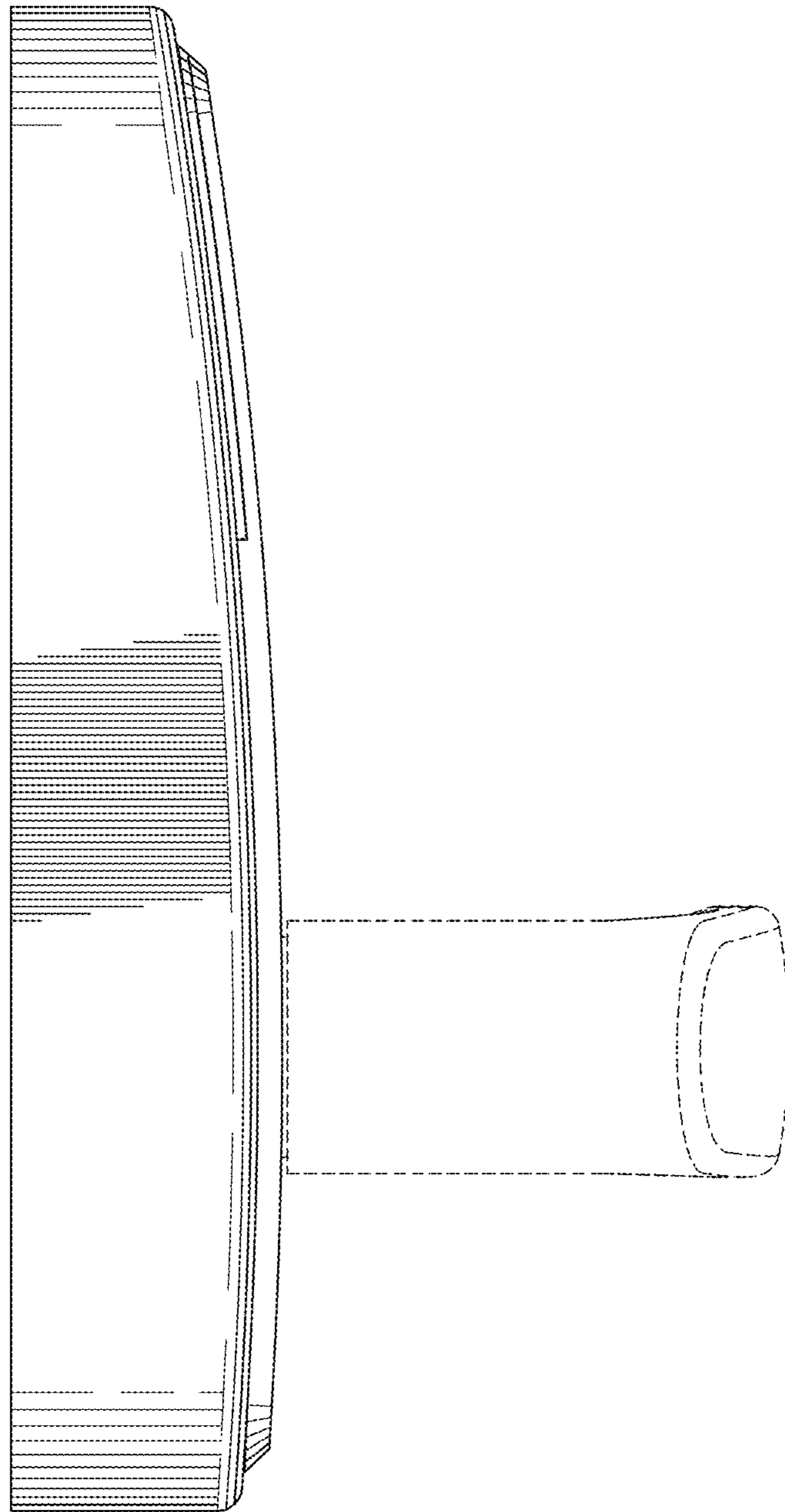


FIG. 10

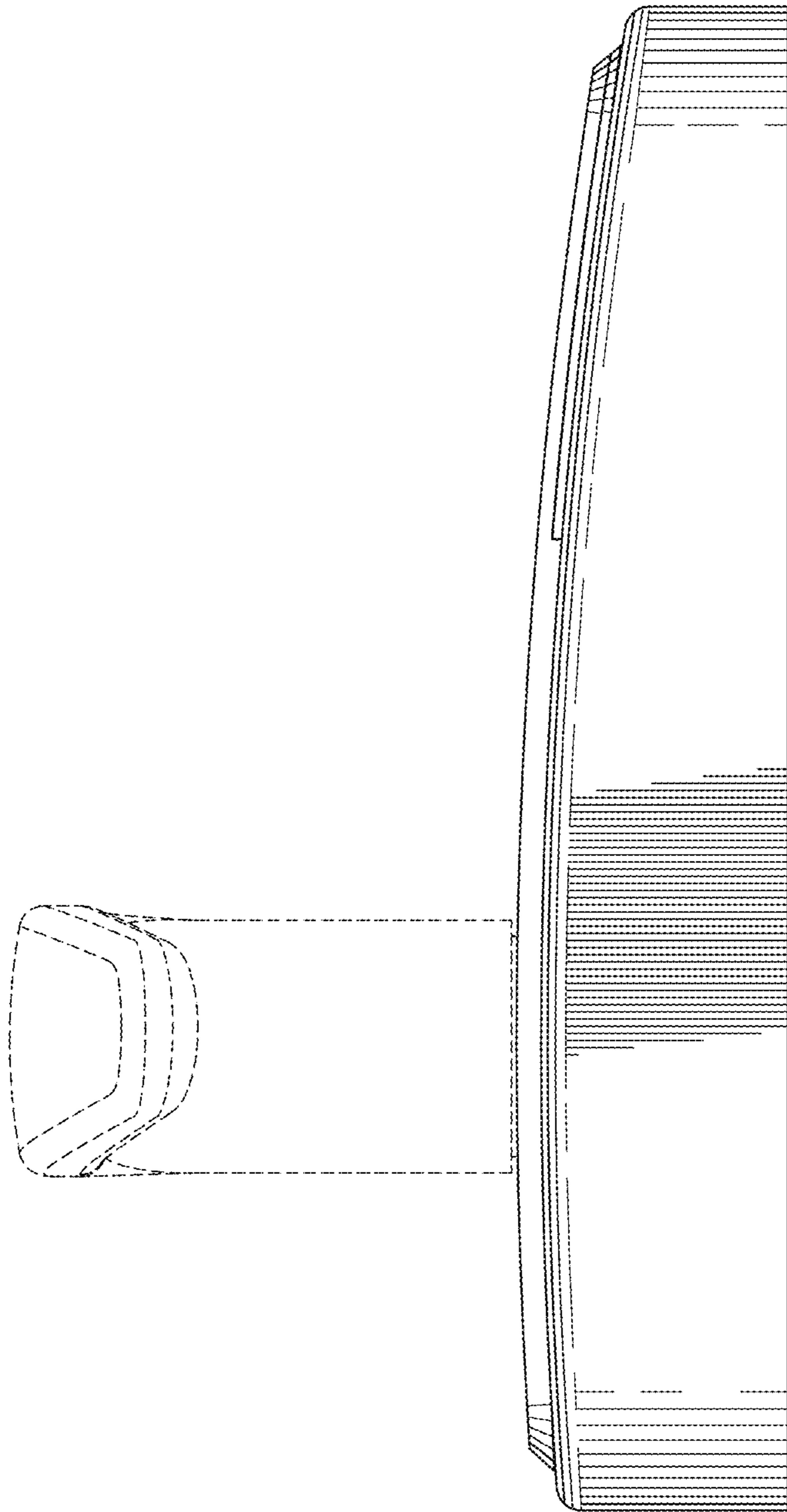


FIG. 11

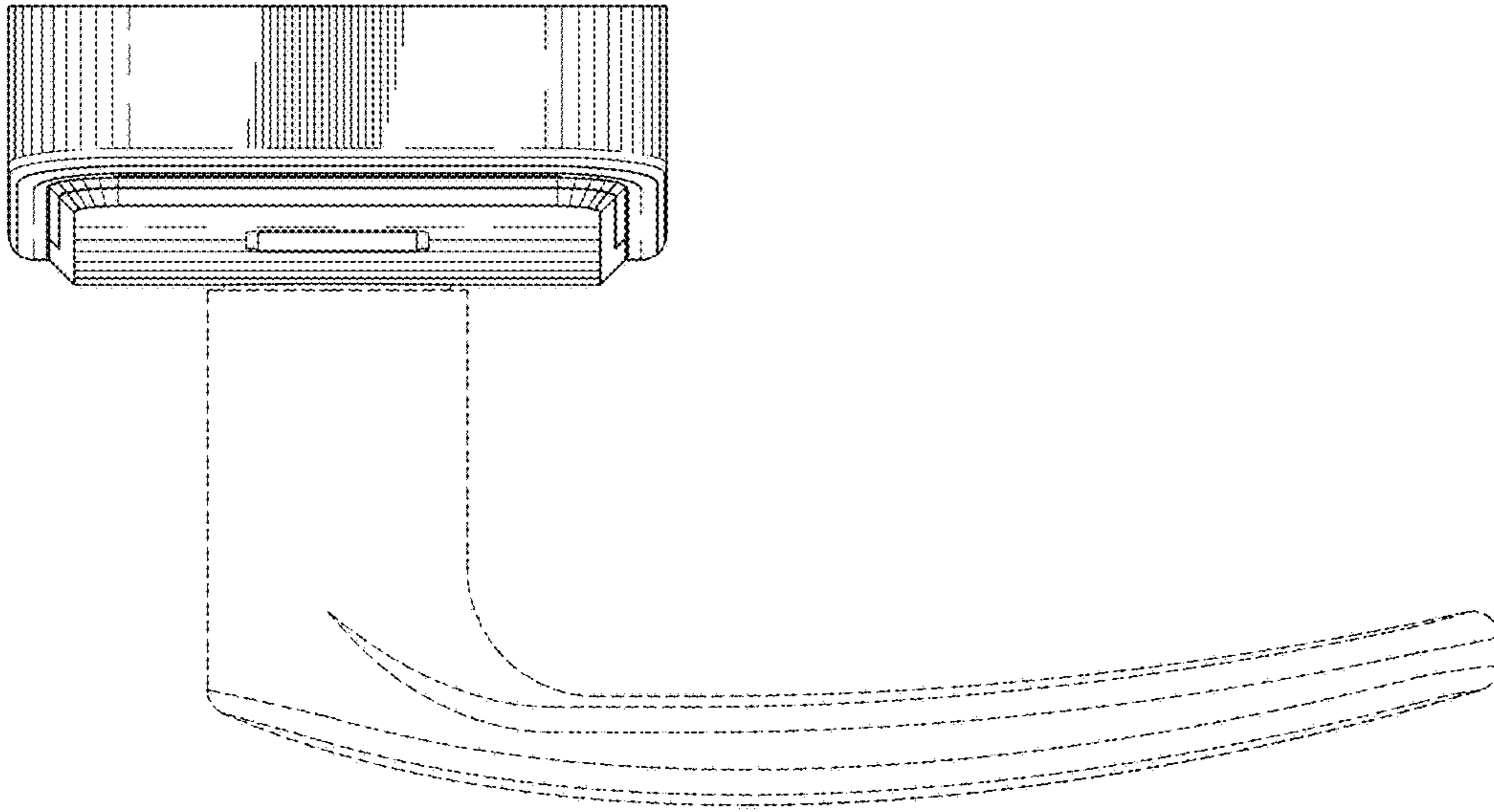


FIG. 12

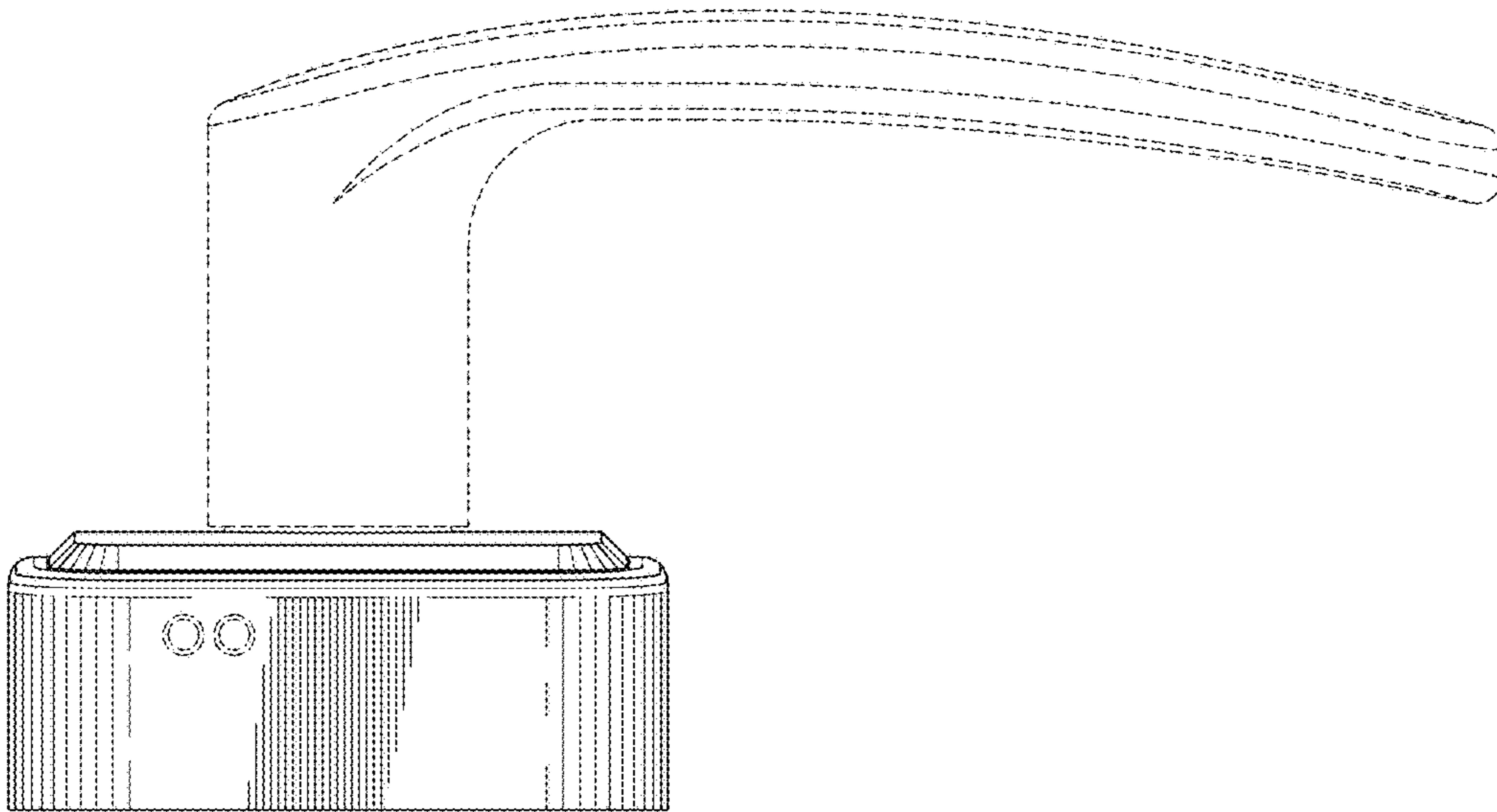


FIG. 13

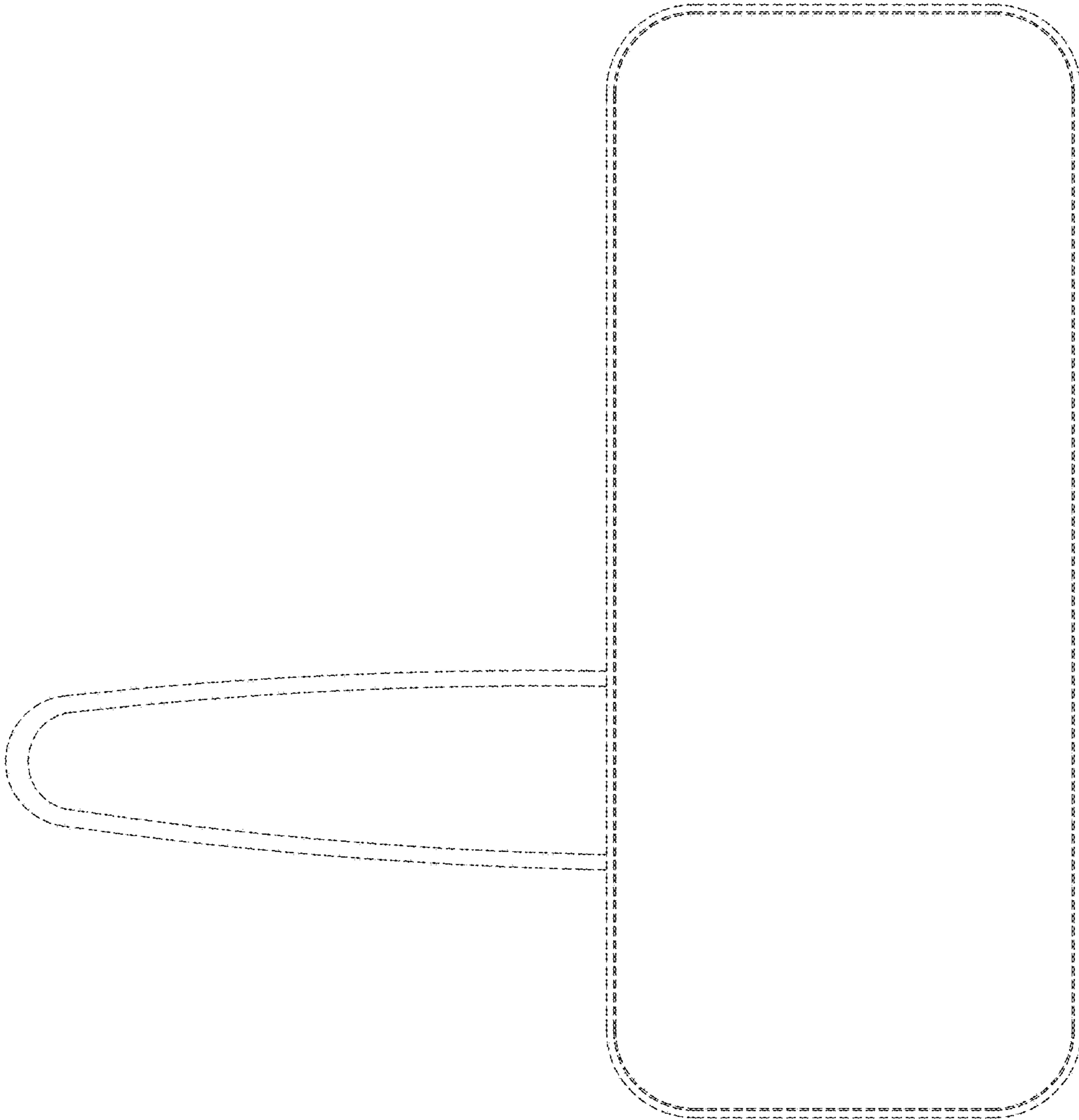


FIG. 14

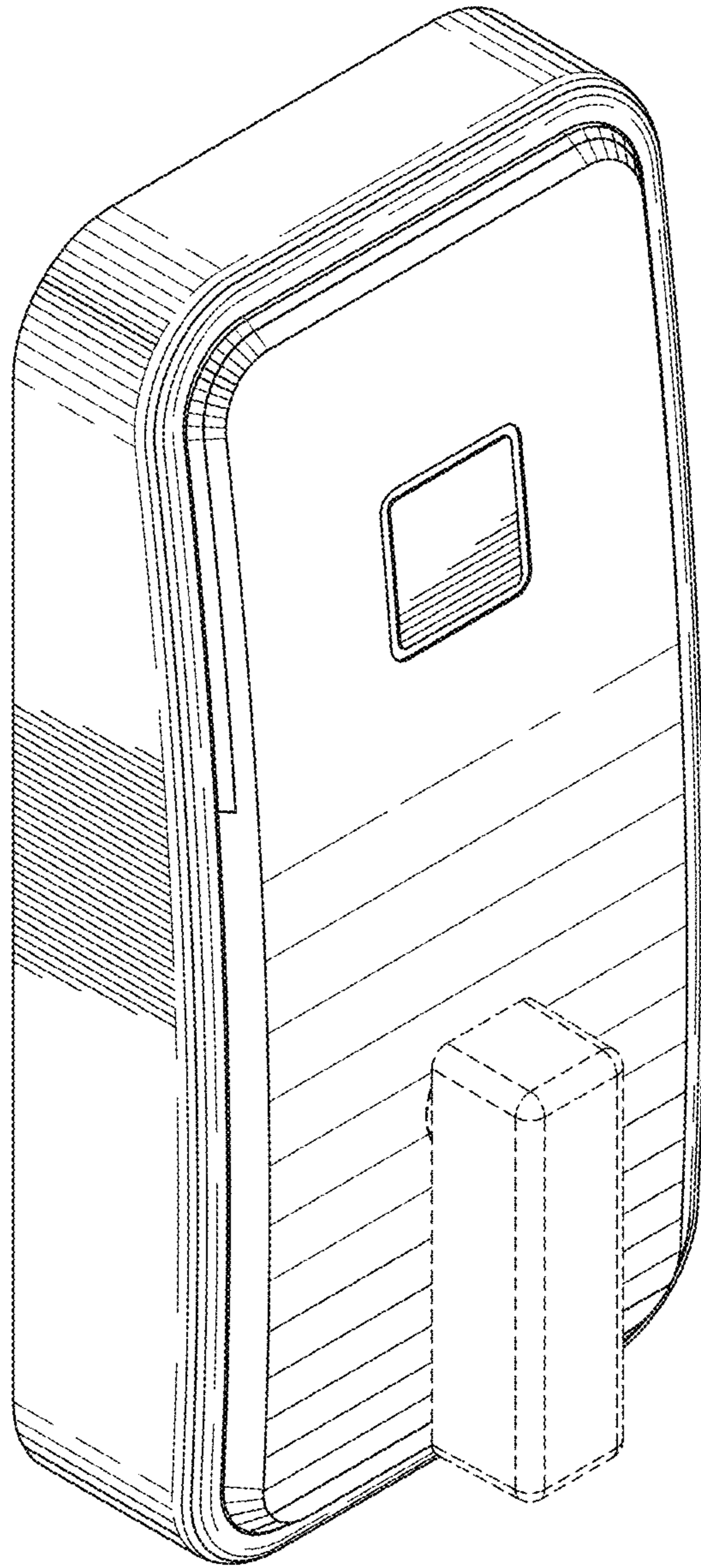


FIG. 15

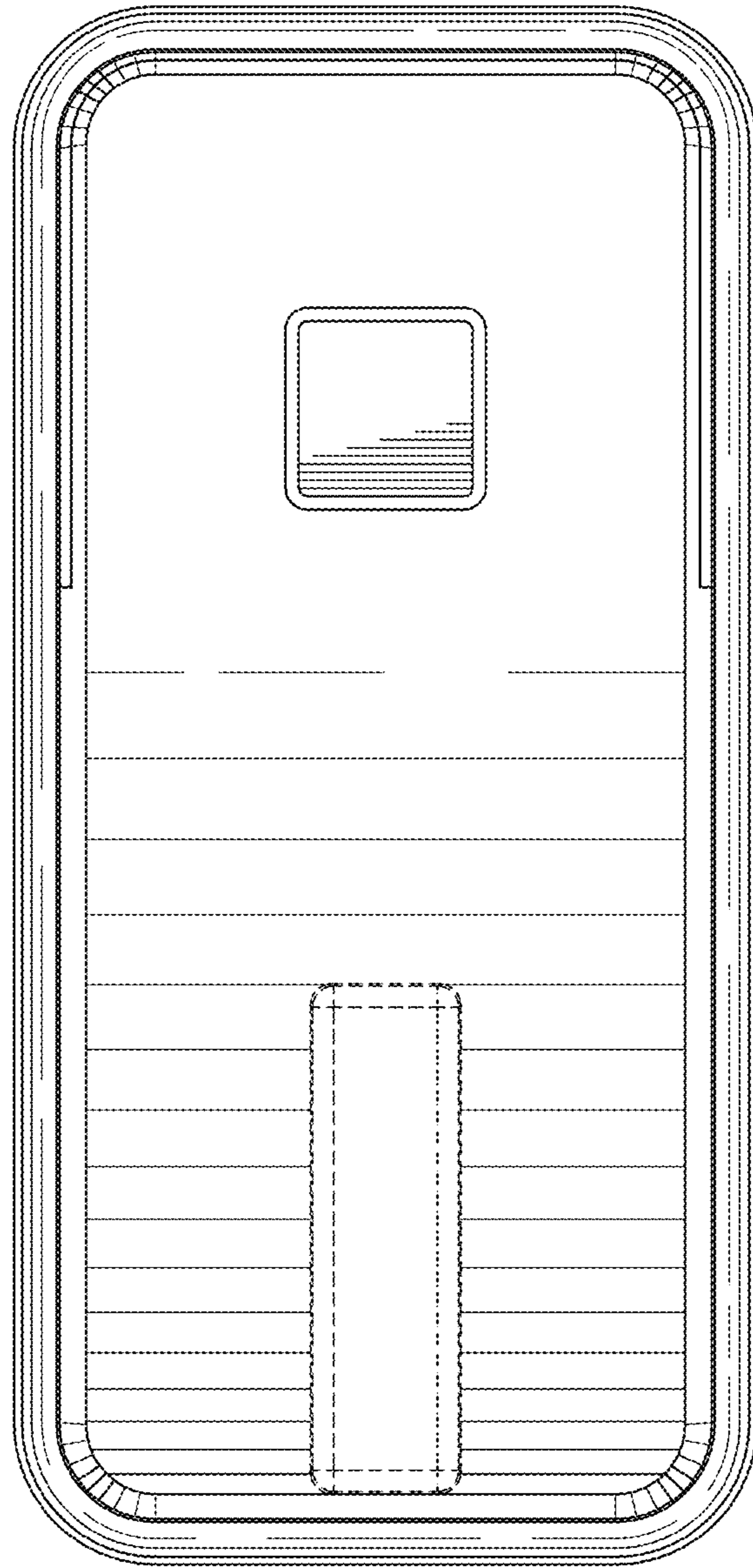


FIG. 16

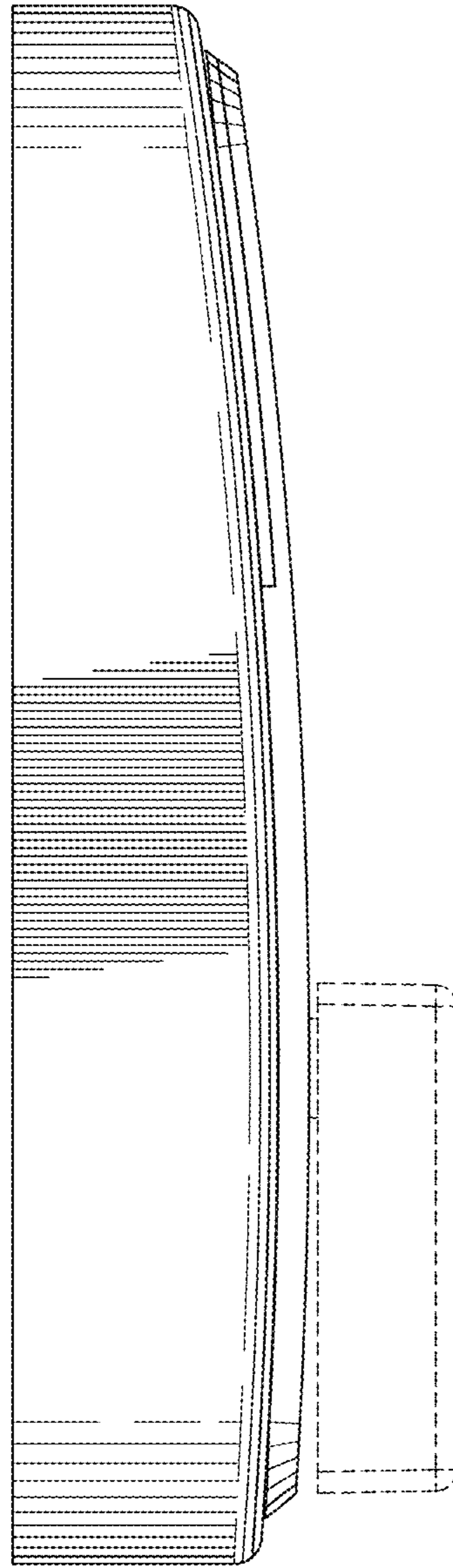


FIG. 17

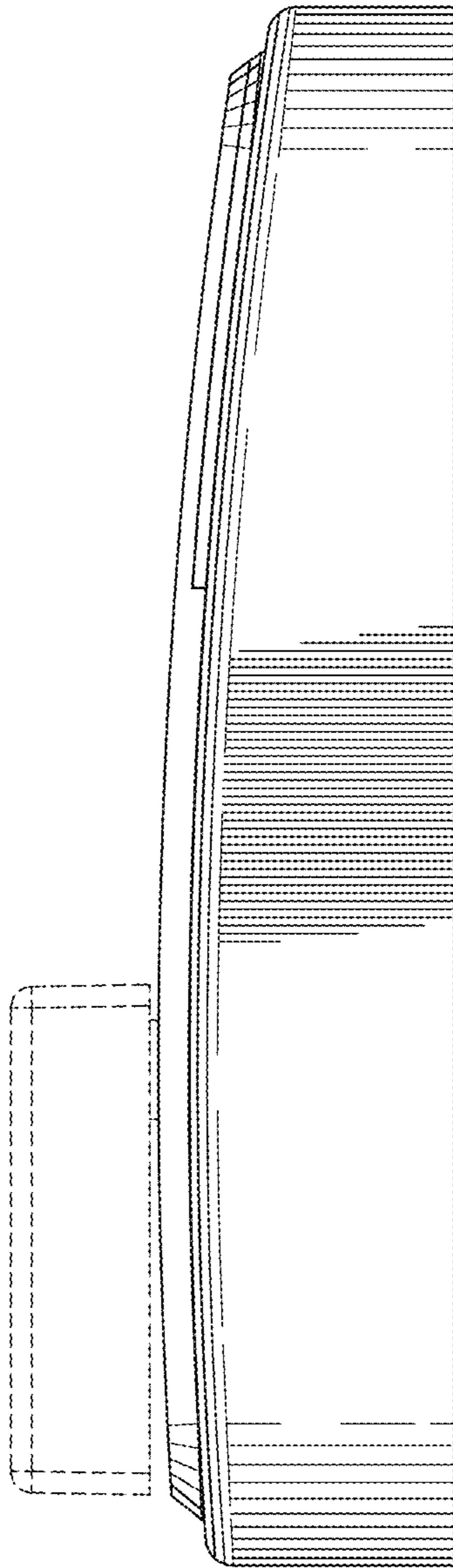


FIG. 18

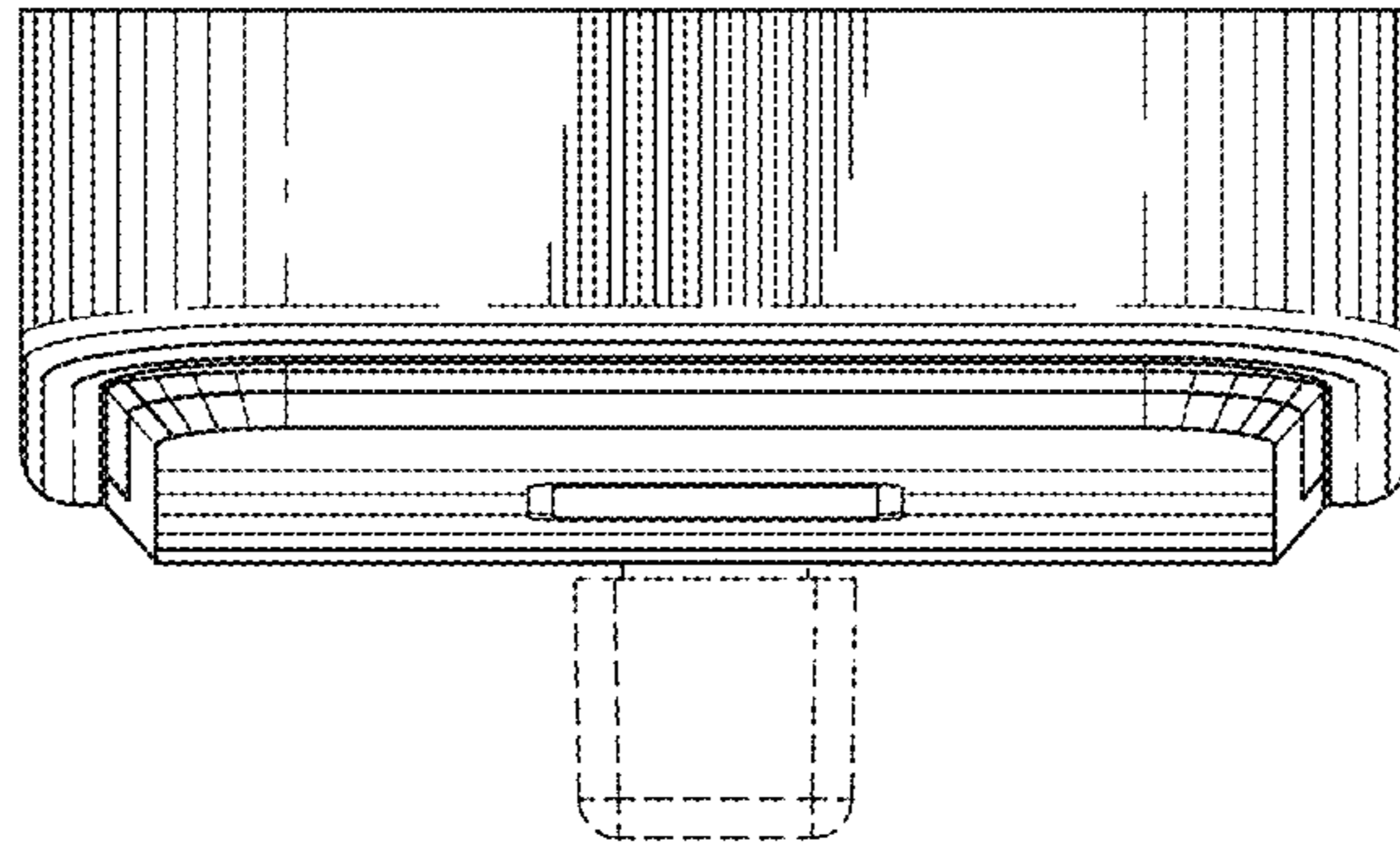


FIG. 19

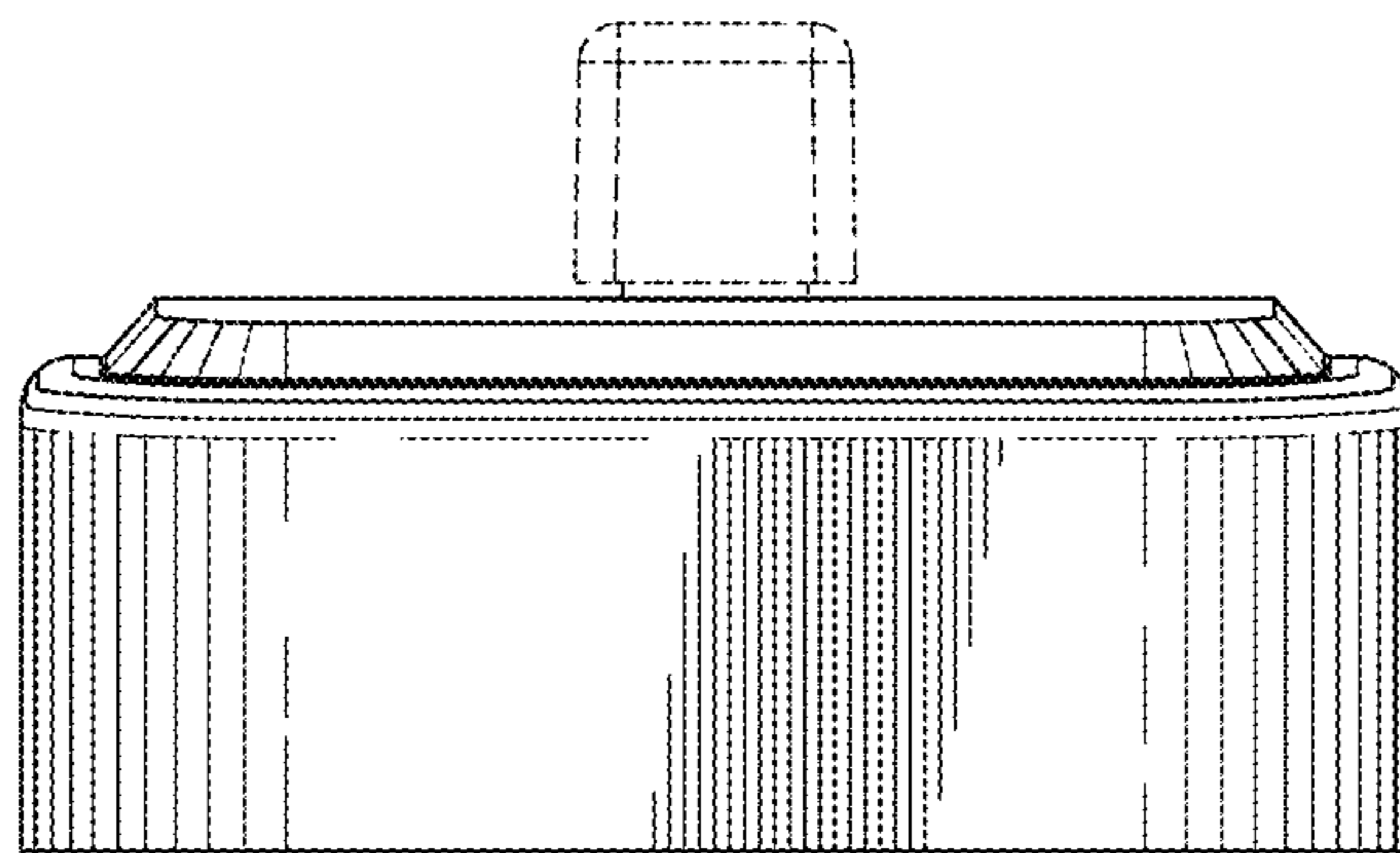


FIG. 20

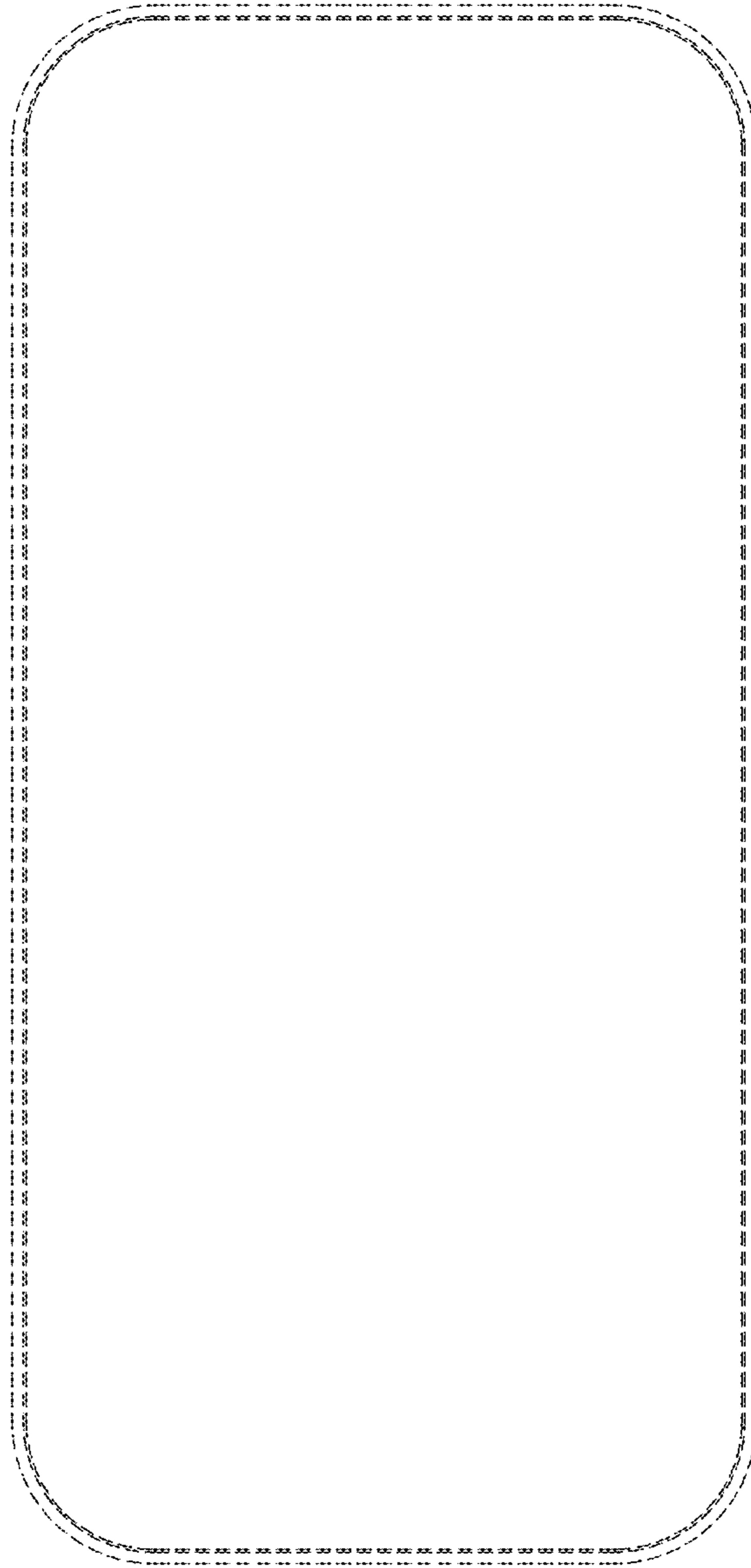


FIG. 21