



US00D817147S

(12) **United States Design Patent** (10) **Patent No.:** **US D817,147 S**
Llewellyn et al. (45) **Date of Patent:** **** May 8, 2018**

(54) **TRANSPORT CONTAINER LOCK**

(56) **References Cited**

(71) Applicant: **Bluewater Resources LLC**, Cotulla, TX (US)
(72) Inventors: **Jake Llewellyn**, Cotulla, TX (US); **Alexander Villareal**, San Antonio, TX (US)
(73) Assignee: **Bluewater Resources LLC**, Cotulla, TX (US)
(**) Term: **15 Years**
(21) Appl. No.: **29/601,711**
(22) Filed: **Apr. 25, 2017**

U.S. PATENT DOCUMENTS

4,184,708	A *	1/1980	Allen	B65D 90/146 294/67.1
4,975,240	A *	12/1990	Lahr	G21F 7/005 376/260
7,172,382	B2 *	2/2007	Frankel	B65D 88/54 414/288
9,238,430	B2 *	1/2016	Metternich	B60P 7/132
9,309,701	B2 *	4/2016	Jeffries	B25H 3/02
D756,744	S *	5/2016	Weissaupt	D8/331
D789,770	S *	6/2017	Reeb	D8/330
D811,196	S *	2/2018	Llewellyn	D8/330
D811,197	S *	2/2018	Llewellyn	D8/330

* cited by examiner

Primary Examiner — Prabhakar G Deshmukh
(74) *Attorney, Agent, or Firm* — D. Tiller Law PLLC;
Donald Tiller

Related U.S. Application Data

(63) Continuation-in-part of application No. 29/594,140, filed on Feb. 15, 2017, now Pat. No. Des. 811,196, and a continuation-in-part of application No. 29/594,142, filed on Feb. 15, 2017, now Pat. No. Des. 811,197.

(51) **LOC (11) Cl.** **08-07**
(52) **U.S. Cl.**
USPC **D8/330**; D8/343; D8/331

(58) **Field of Classification Search**
USPC D8/330, 331, 333, 336, 339, 343–346, D8/400; 70/14, 57, 57.1, 64, 67, 69, 70, 70/77, 333 R, 466; 292/205, 148, 230, 292/231, 238, 260–264, 909, 912, 916; 414/14, 373, 403, 788, 788.1
CPC E05C 3/12; E05C 3/16; E05C 3/00; B65F 1/1615; B65F 1/14

See application file for complete search history.

(57) **CLAIM**

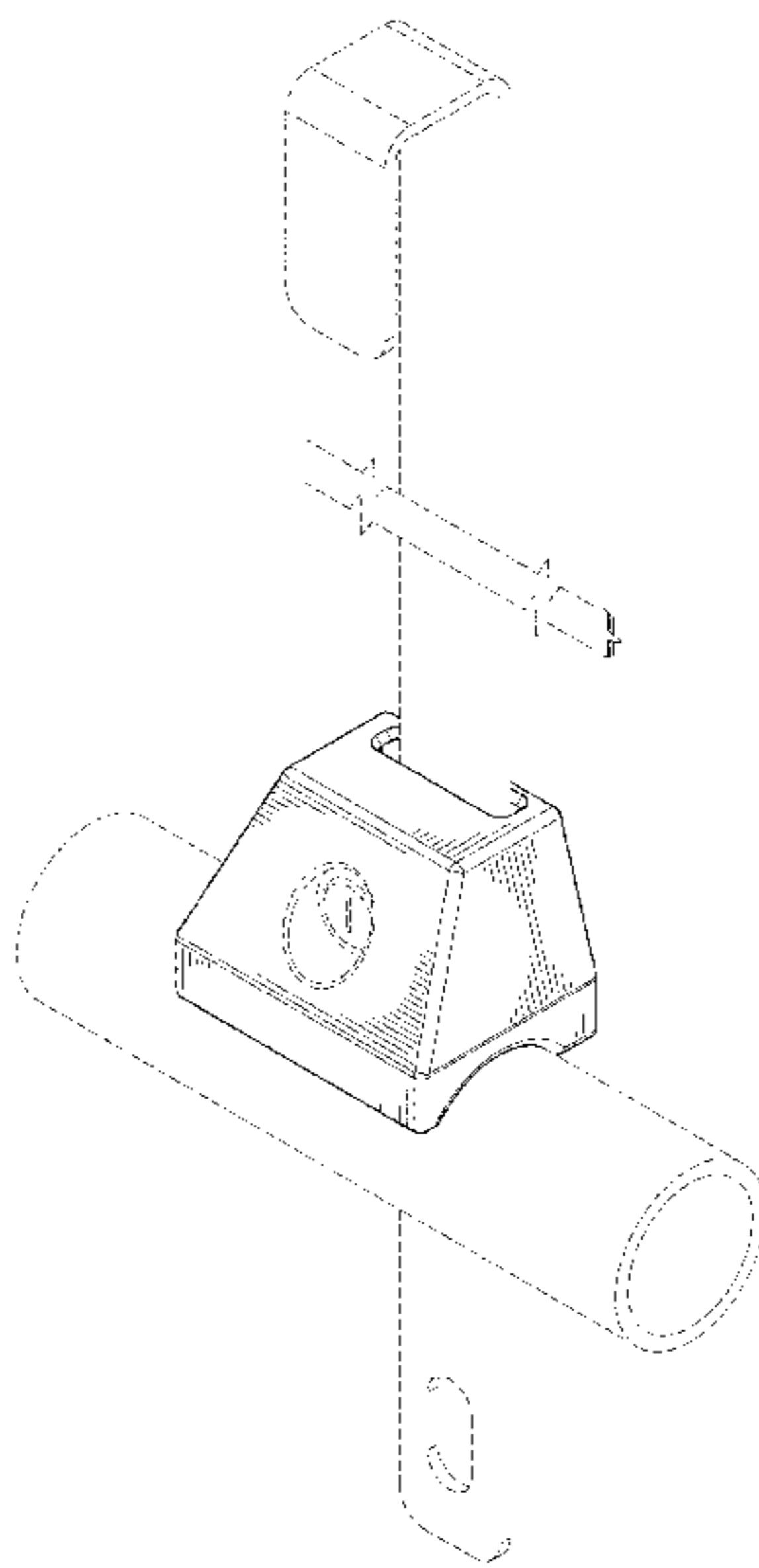
The ornamental design for a transport container lock, as shown and described.

DESCRIPTION

FIG. 1 is a front perspective view of a transport container lock showing our new design; FIG. 2 is a front elevational view thereof; FIG. 3 is a rear elevational view thereof; FIG. 4 is a right side elevational view thereof; FIG. 5 is a left side elevational view thereof; FIG. 6 is a top plan view thereof; FIG. 7 is a bottom plan view thereof; and, FIG. 8 is a rear perspective view thereof.

The broken lines in FIG. 1 show the environmental transport structure. Other broken lines illustrate unclaimed portions of the claimed design. None of the broken lines form part of the claimed design.

1 Claim, 8 Drawing Sheets



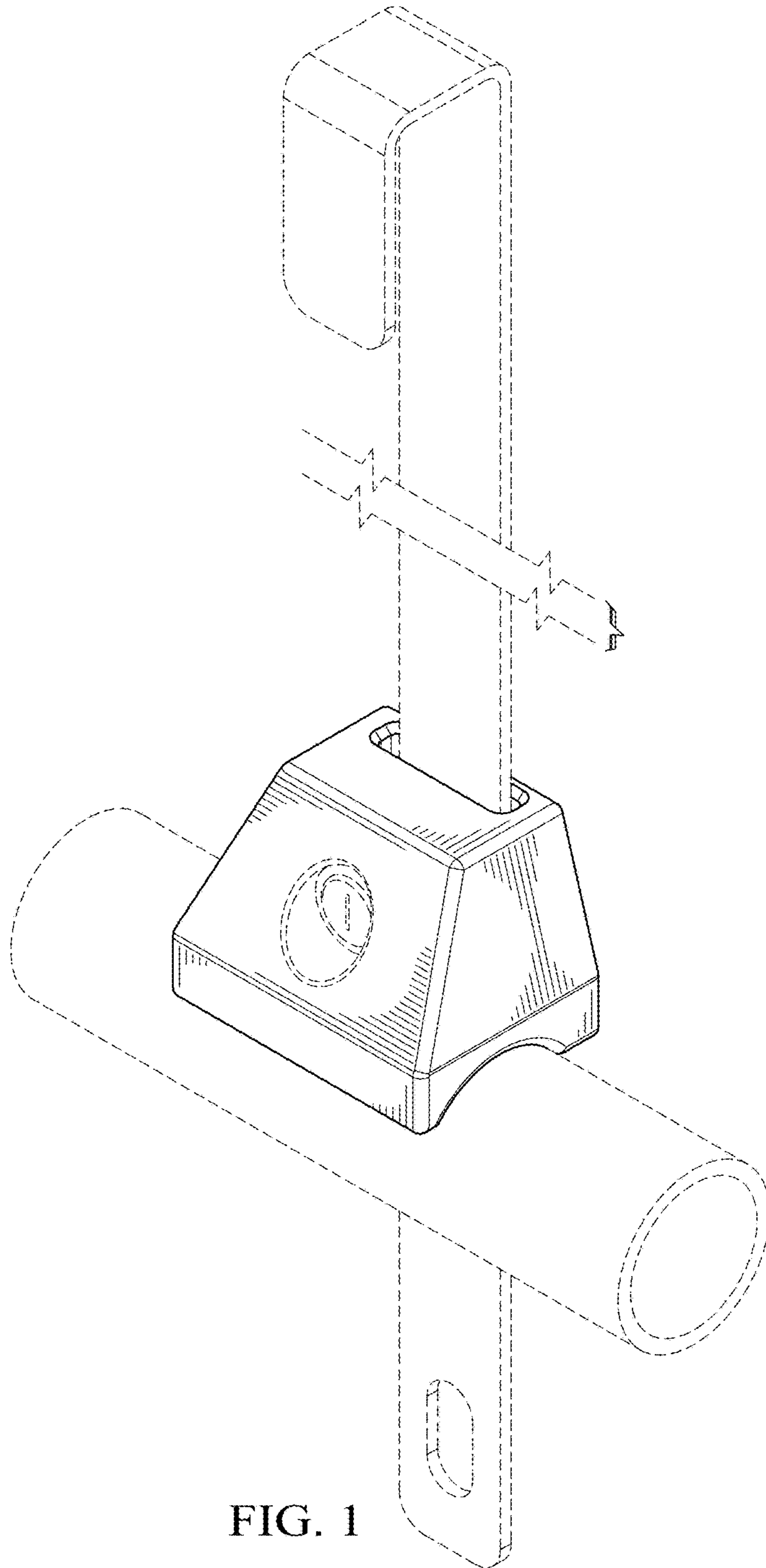


FIG. 1

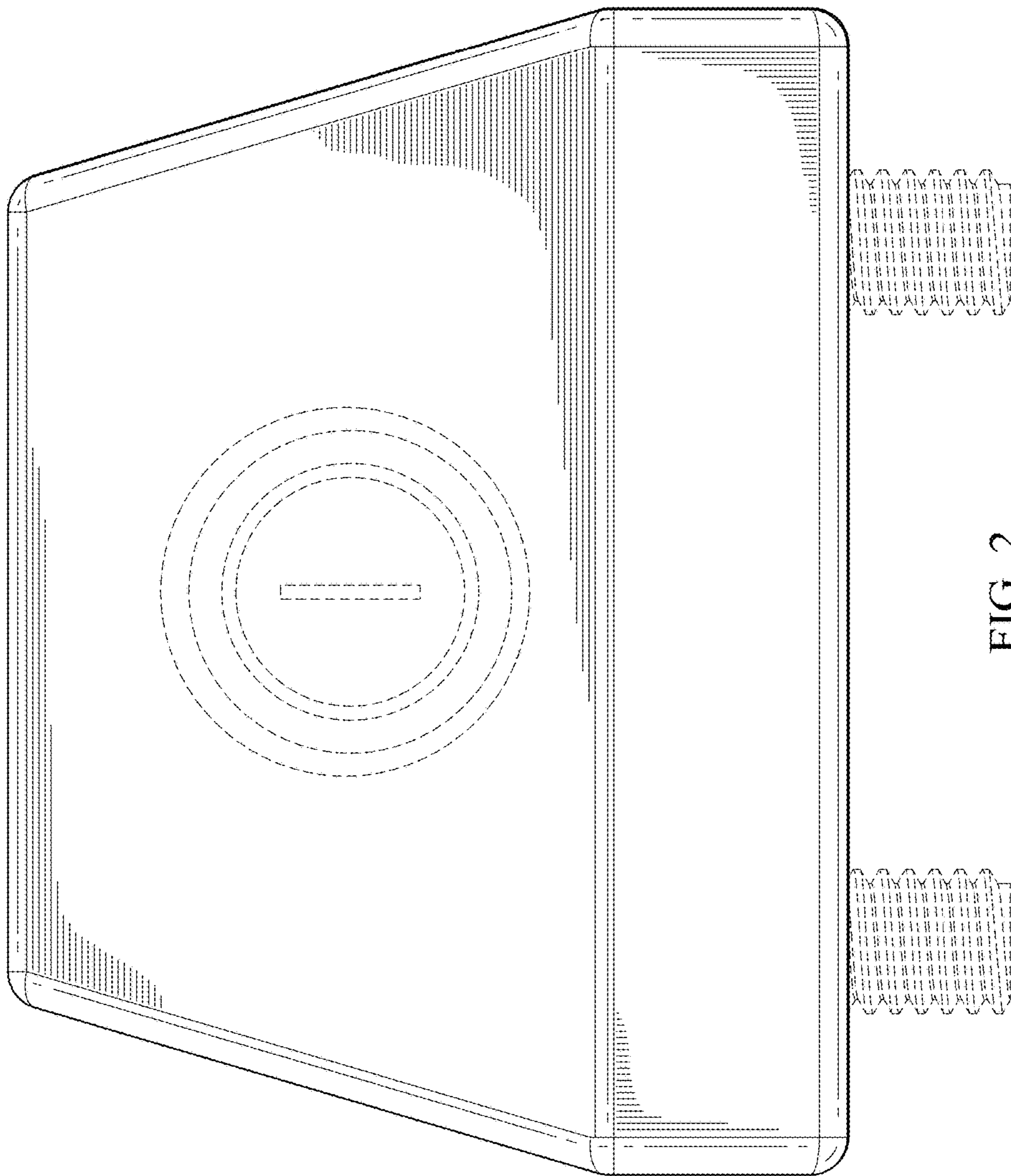


FIG. 2

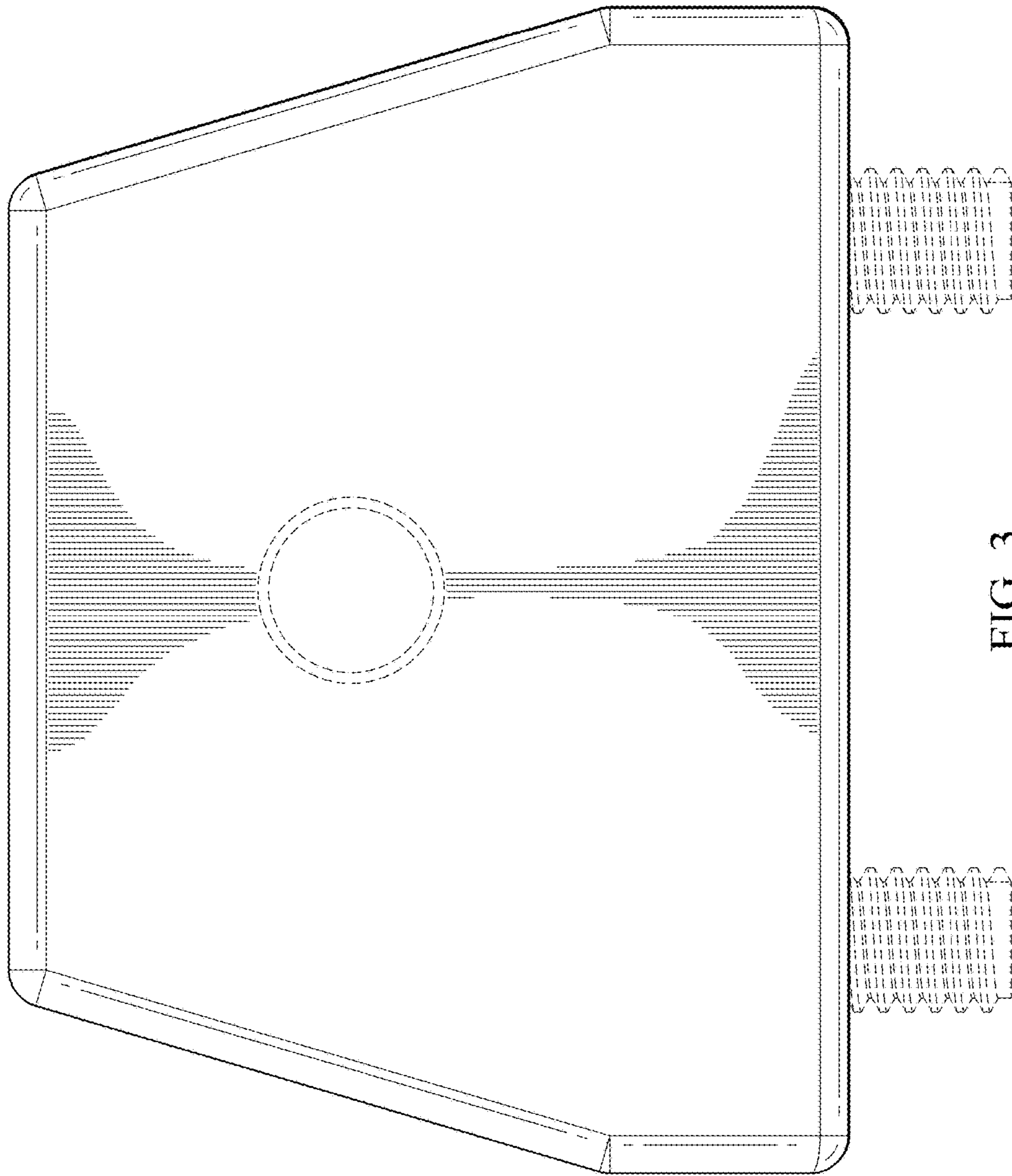


FIG. 3

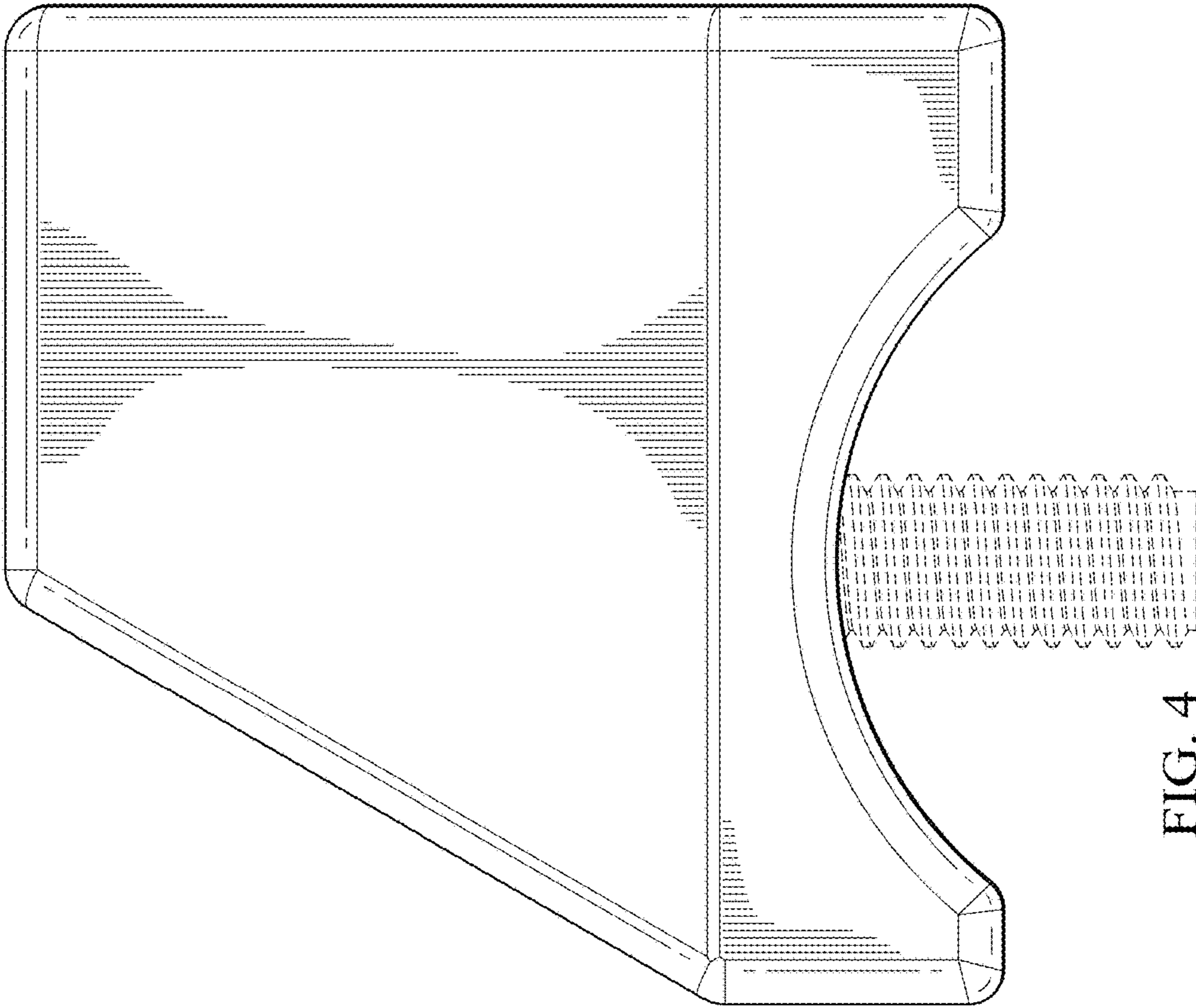


FIG. 4

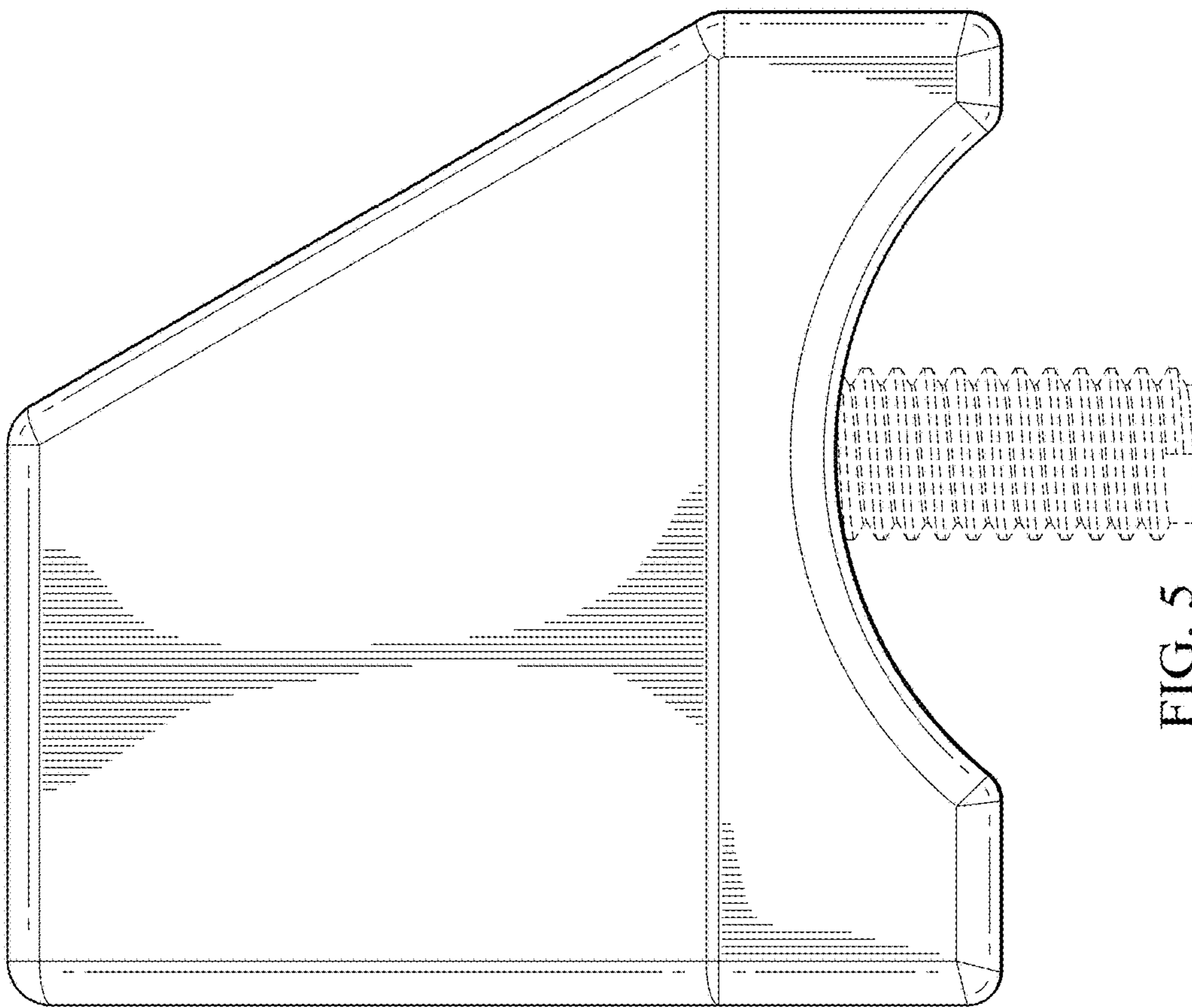


FIG. 5

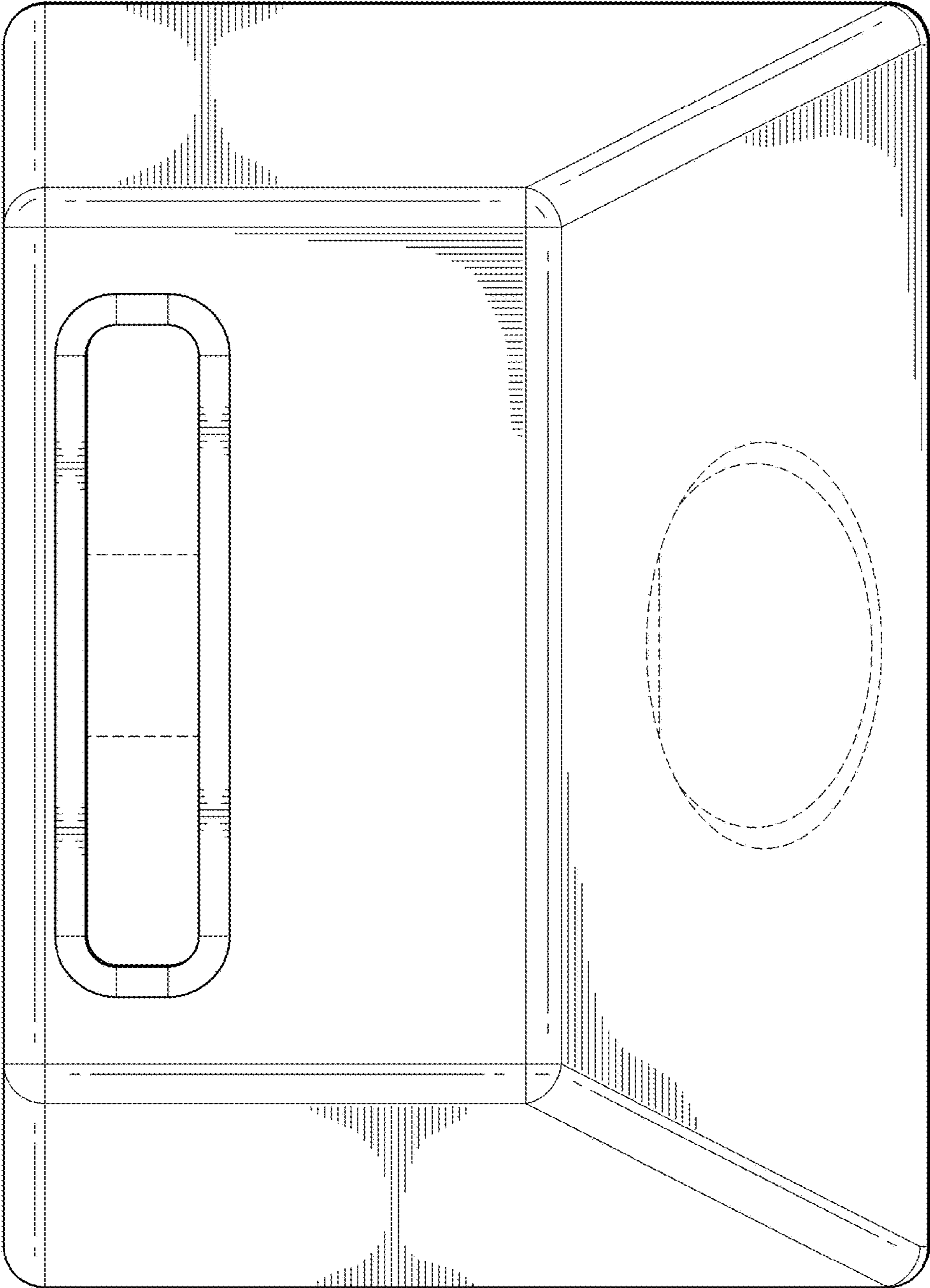


FIG. 6

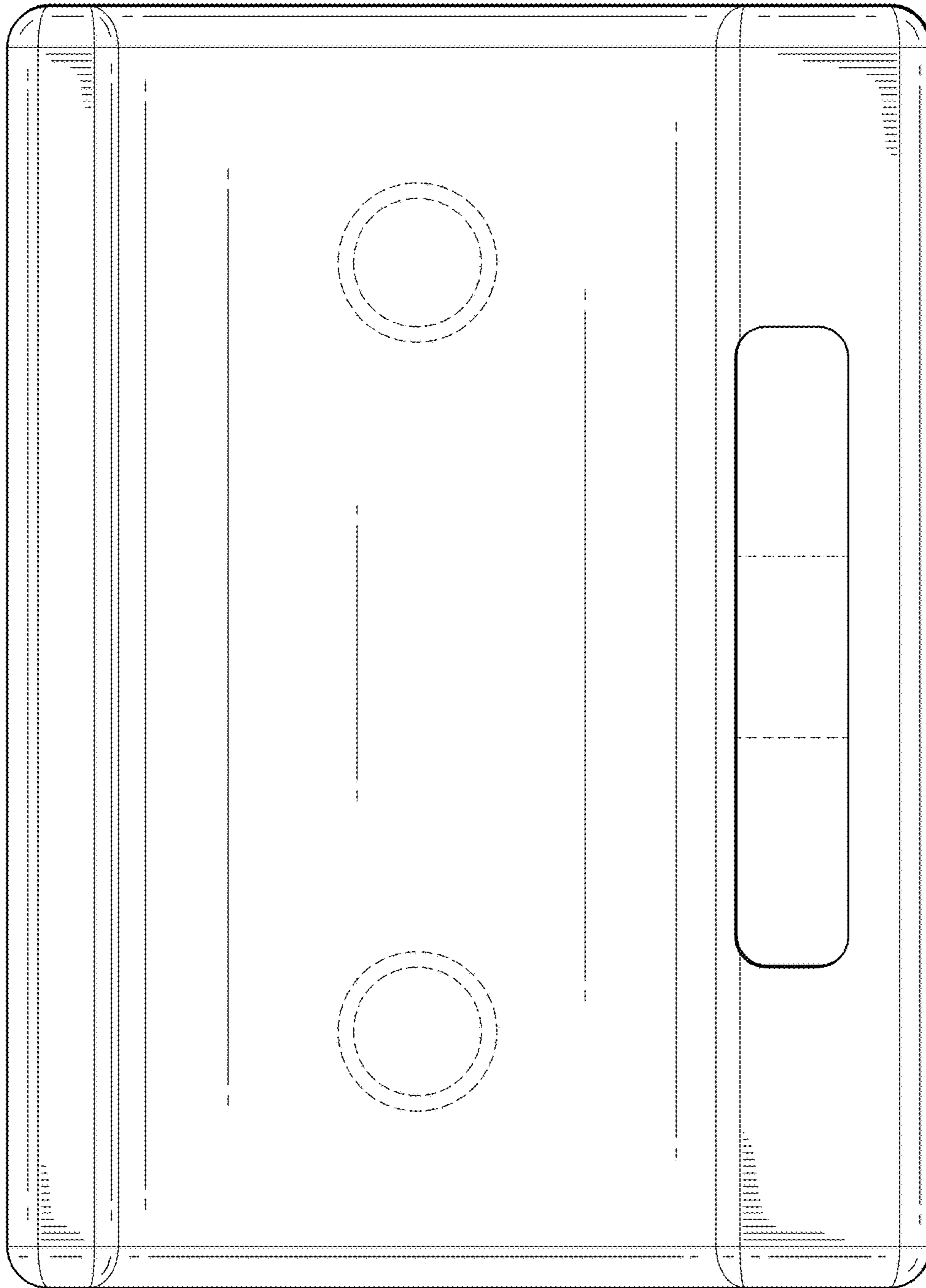


FIG. 7

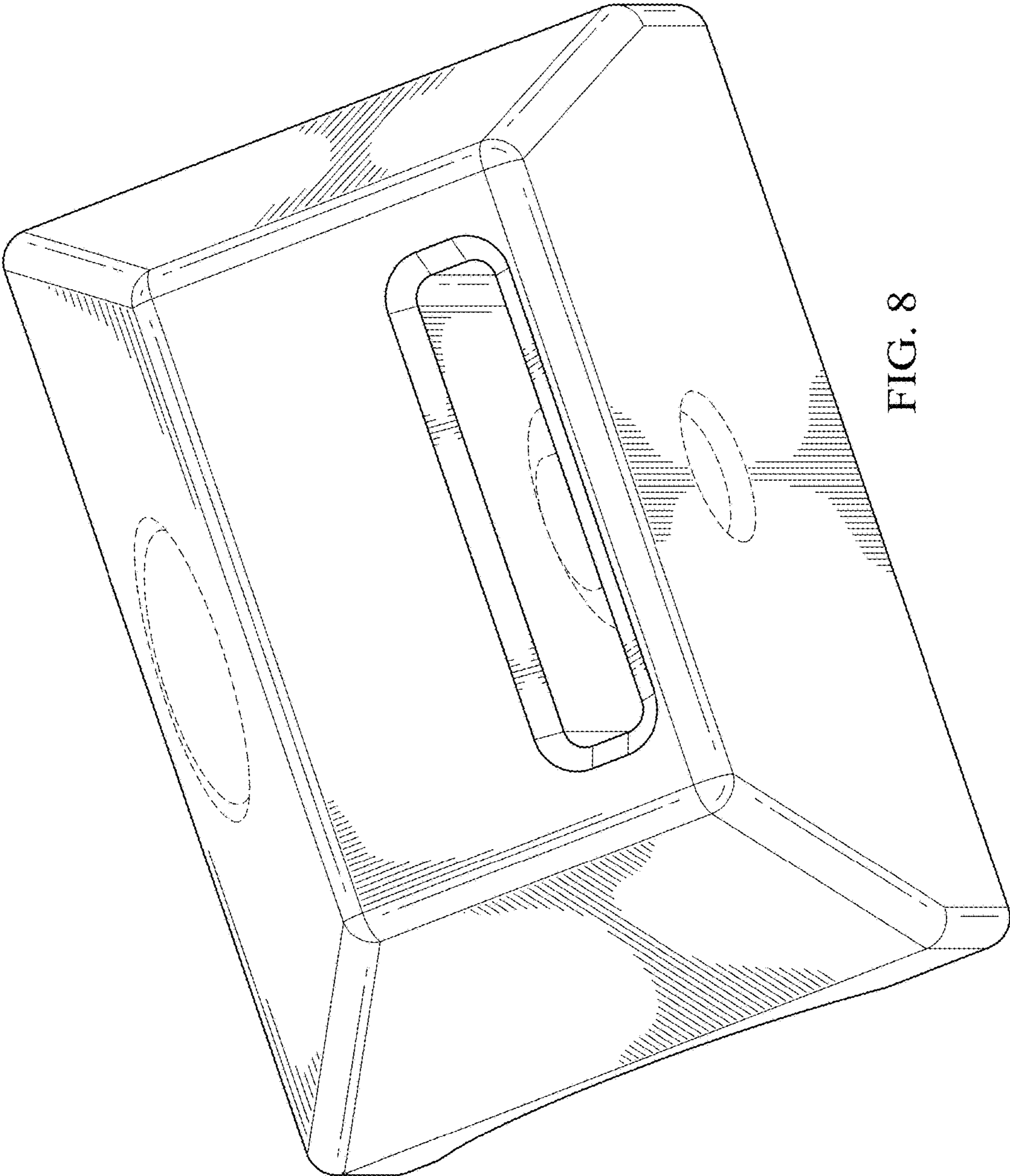


FIG. 8