



US00D817146S

(12) **United States Design Patent** (10) **Patent No.:** **US D817,146 S**
Weldon (45) **Date of Patent:** **** May 8, 2018**

- (54) **ADJUSTABLE SPRING HINGE**
- (71) Applicant: **Weldon Industries, Inc.**, Tampa, FL (US)
- (72) Inventor: **Mark Weldon**, Tampa, FL (US)
- (73) Assignee: **Weldon Industries, Inc.**, Tampa, FL (US)
- (**) Term: **15 Years**
- (21) Appl. No.: **29/576,275**
- (22) Filed: **Sep. 1, 2016**
- (51) **LOC (11) Cl.** **08-06**
- (52) **U.S. Cl.**
USPC **D8/323**
- (58) **Field of Classification Search**
USPC D8/323, 325, 336
CPC F16M 13/02; F16B 23/00; E05D 11/1014
See application file for complete search history.

D717,634 S *	11/2014	Lu	D8/323
D719,434 S *	12/2014	Lu	D8/323
D719,810 S *	12/2014	Lu	D8/323
D744,313 S *	12/2015	Lu	D8/323
D744,808 S *	12/2015	Lu	D8/323
D744,809 S *	12/2015	Lu	D8/323
D758,164 S *	6/2016	Lu	D8/323
D784,795 S *	4/2017	Ravaioli	D8/355
D804,276 S *	12/2017	Lu	D8/323
D804,277 S *	12/2017	Lu	D8/323
2016/0040463 A1 *	2/2016	Gramstad	E05D 5/128 16/382
2016/0040464 A1 *	2/2016	Lu	B60N 2/4852 16/250

* cited by examiner

Primary Examiner — Cynthia Underwood
(74) *Attorney, Agent, or Firm* — Christopher Paradies;
Paradies Law P.A.

(57) **CLAIM**

I claim the ornamental design for an adjustable spring hinge, as shown and described.

DESCRIPTION

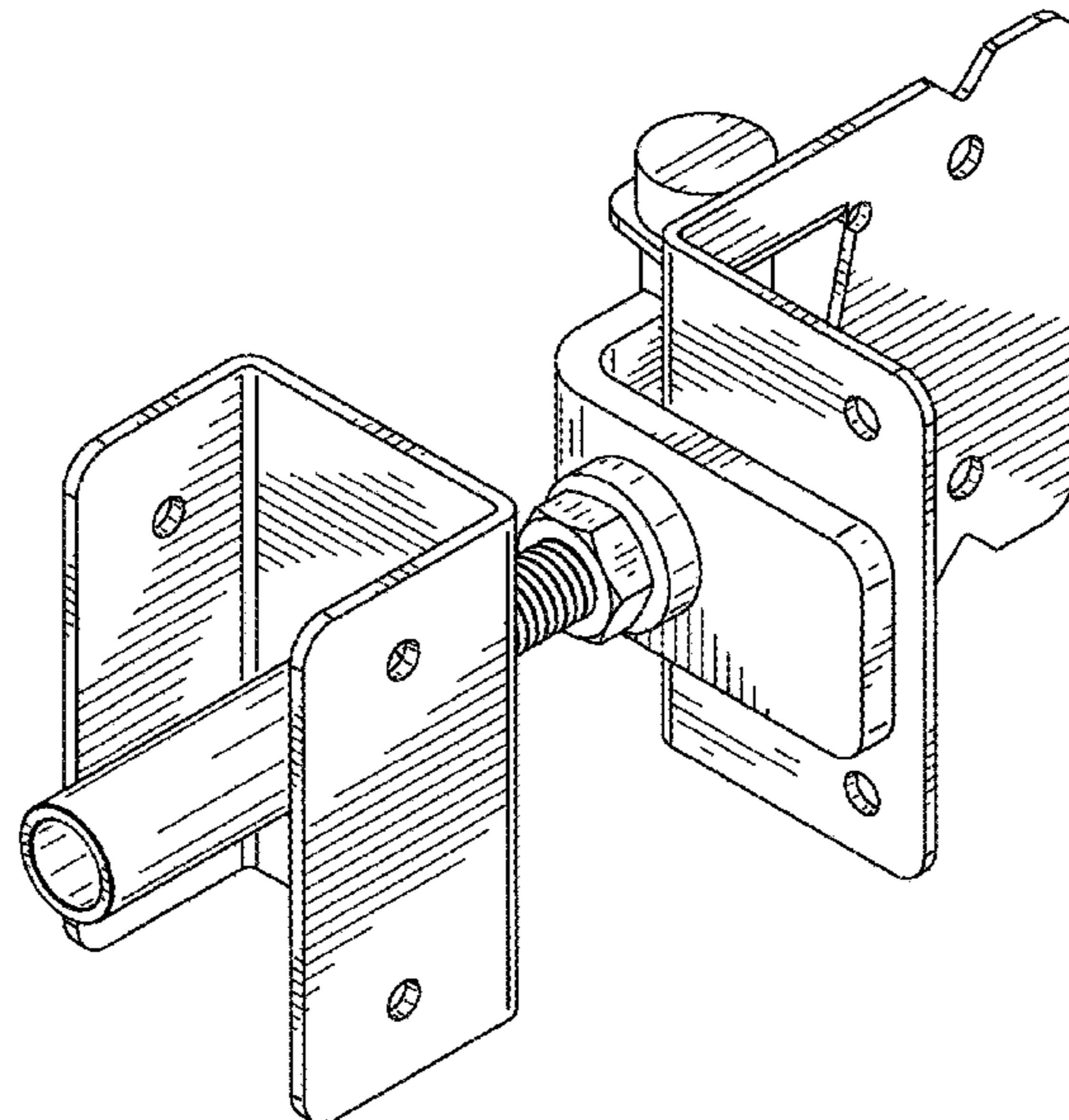
FIG. 1 is a right rear perspective view of the adjustable spring hinge.
 FIG. 2 is a left front perspective view of the adjustable spring hinge.
 FIG. 3 is a left rear perspective view of the adjustable spring hinge.
 FIG. 4 is a right front perspective view of the adjustable spring hinge.
 FIG. 5 is a top view of the adjustable spring hinge.
 FIG. 6 is a bottom view of the adjustable spring hinge.
 FIG. 7 is a right view of the adjustable spring hinge.
 FIG. 8 is a left view of the adjustable hinge.
 FIG. 9 is a rear view of the adjustable hinge; and,
 FIG. 10 is a front view of the adjustable hinge.

1 Claim, 8 Drawing Sheets

(56) **References Cited**

U.S. PATENT DOCUMENTS

D140,298 S *	2/1945	Wilson	D8/323
D222,234 S *	10/1971	Imber	D8/323
4,382,312 A *	5/1983	Liggett	E05D 3/06 16/288
D335,622 S *	5/1993	Millsap	D8/323
6,134,751 A *	10/2000	Carrier	E05D 15/44 16/235
D458,626 S *	6/2002	Desbierz-Piat	D16/334
D500,660 S *	1/2005	Larner	D8/323
7,100,245 B2 *	9/2006	Wohlfarth	E05D 3/10 16/367
8,225,460 B2 *	7/2012	Hooton	E05D 3/10 16/309
D683,609 S *	6/2013	Frank	D8/323
D715,620 S *	10/2014	Tung	D8/323
D717,633 S *	11/2014	Lu	D8/323



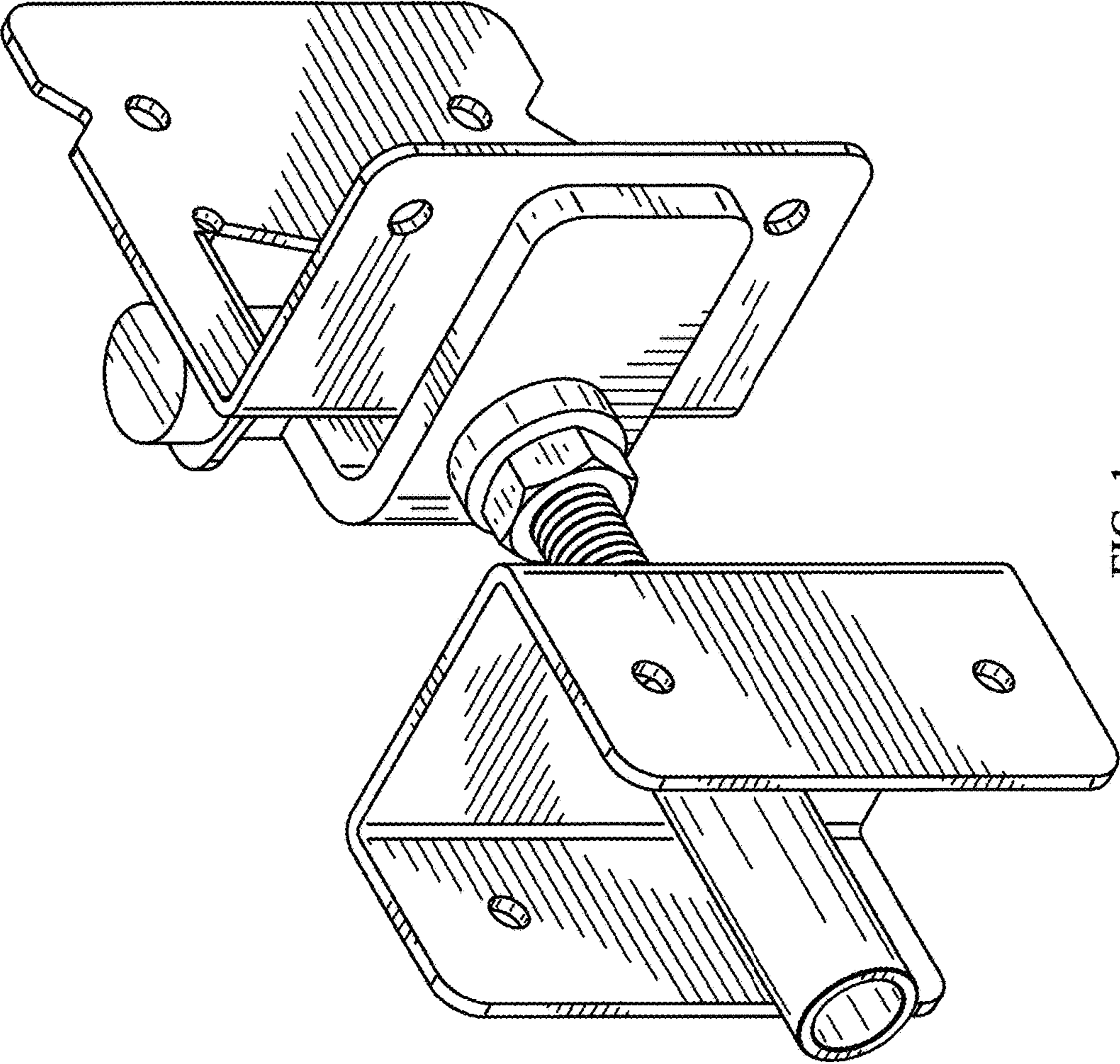


FIG. 1

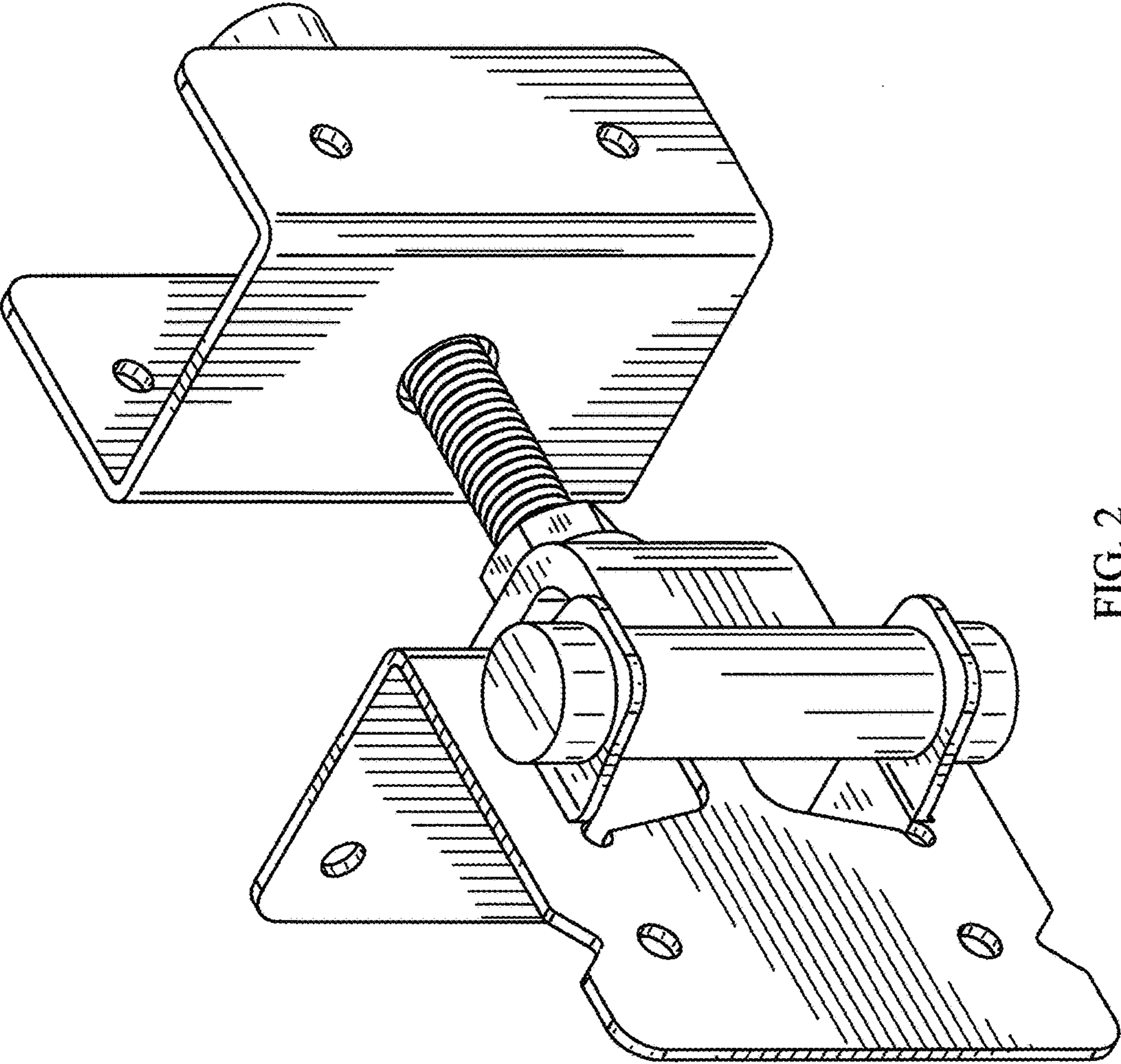


FIG. 2

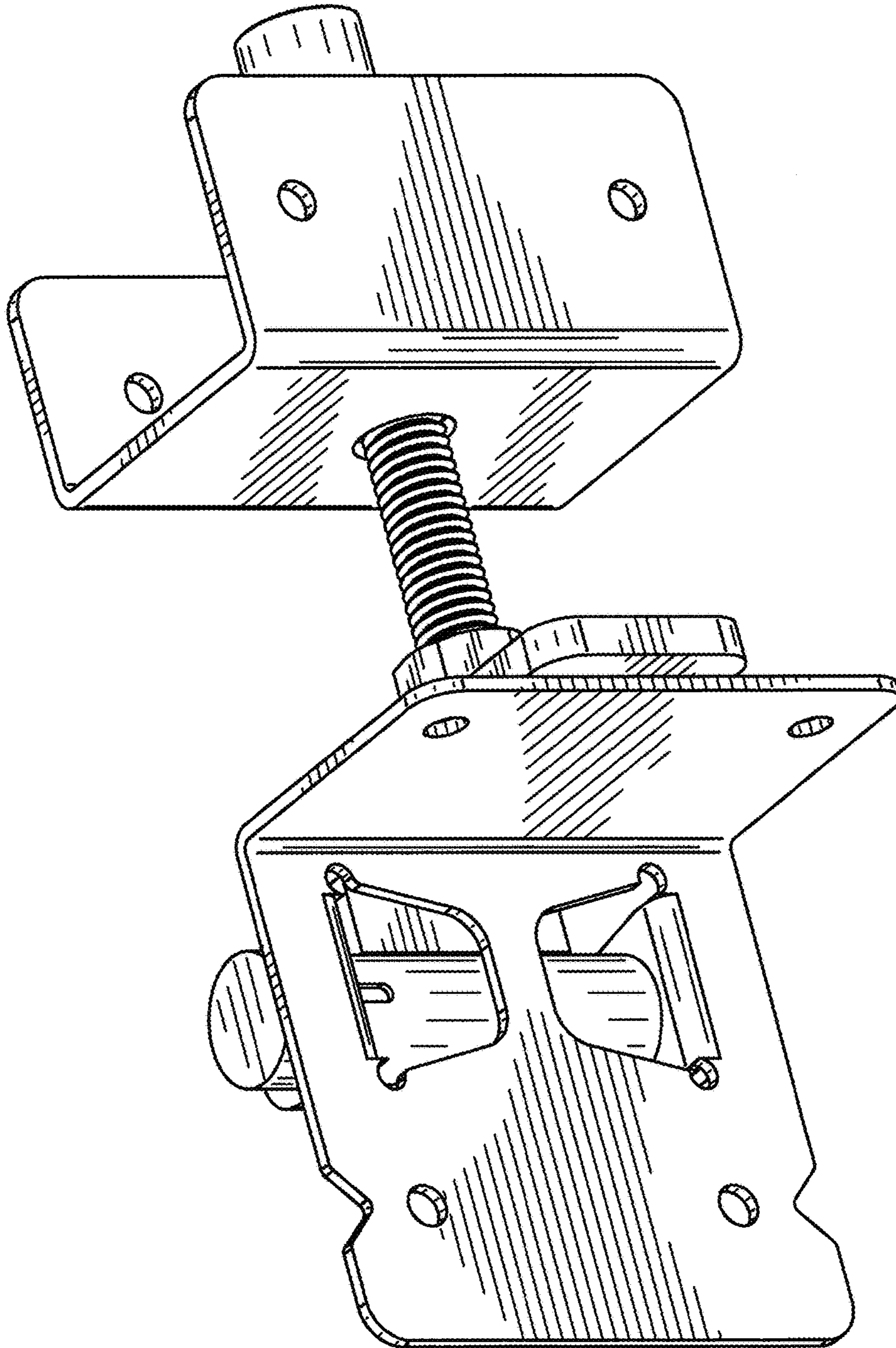


FIG. 3

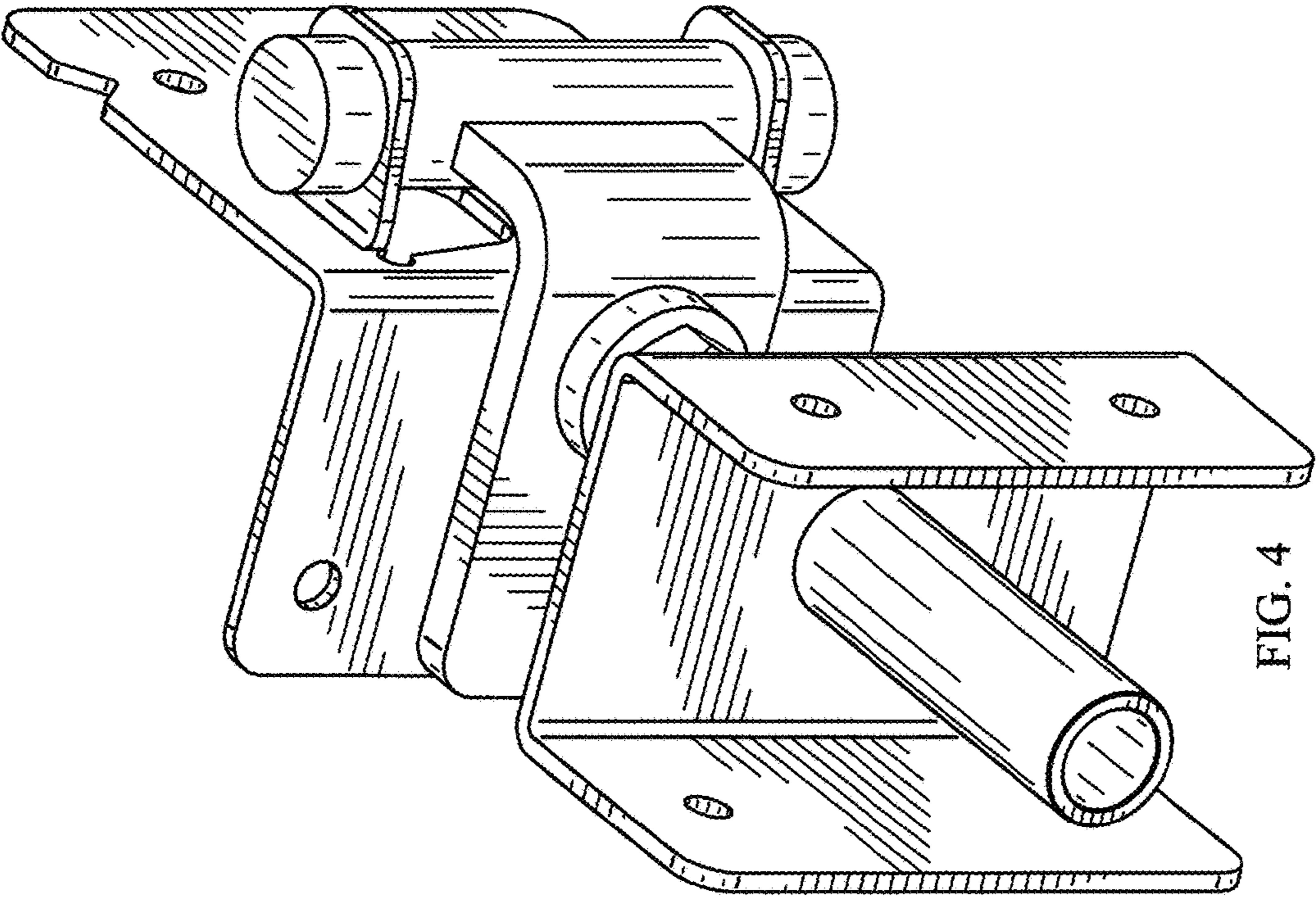


FIG. 4

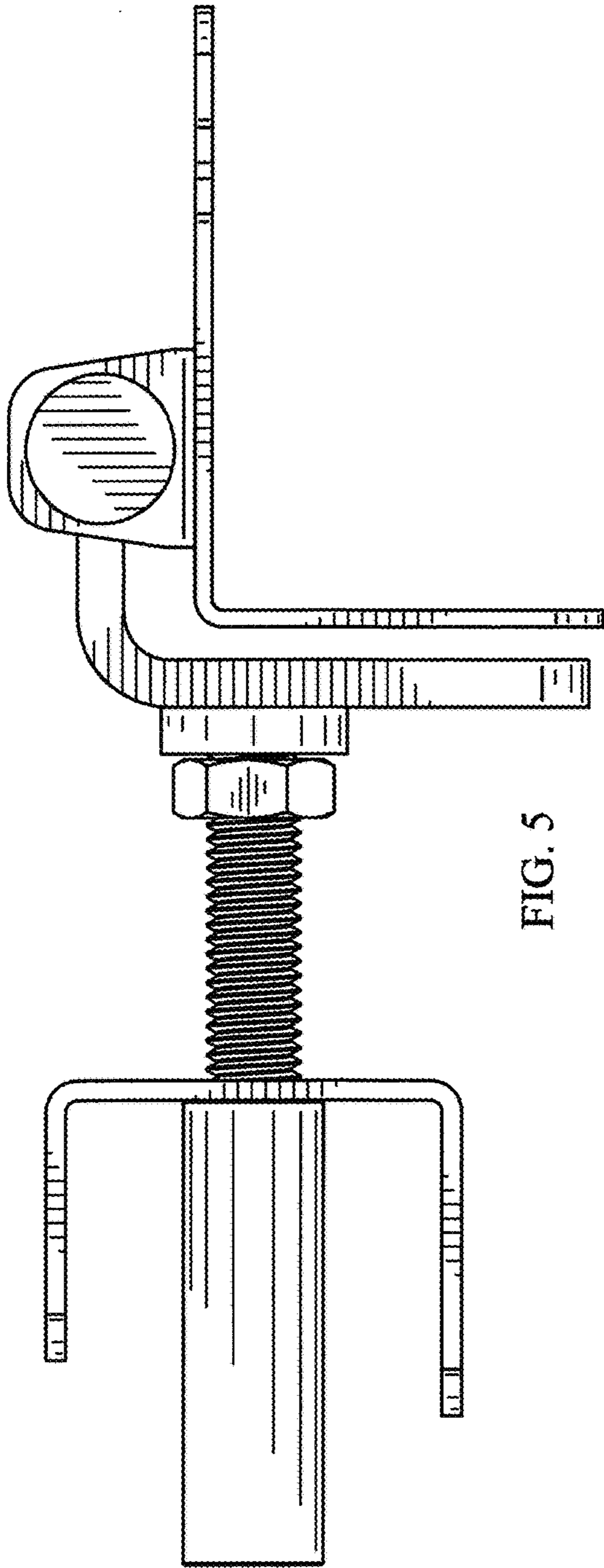


FIG. 5

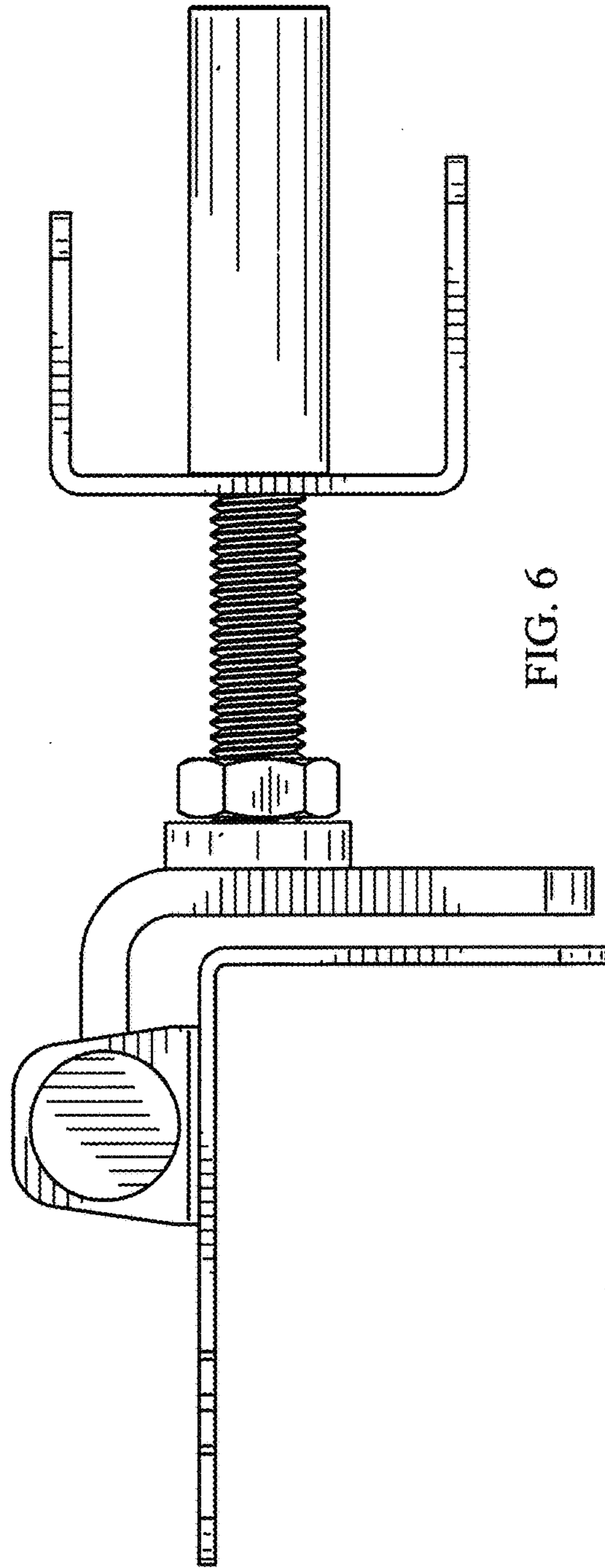


FIG. 6

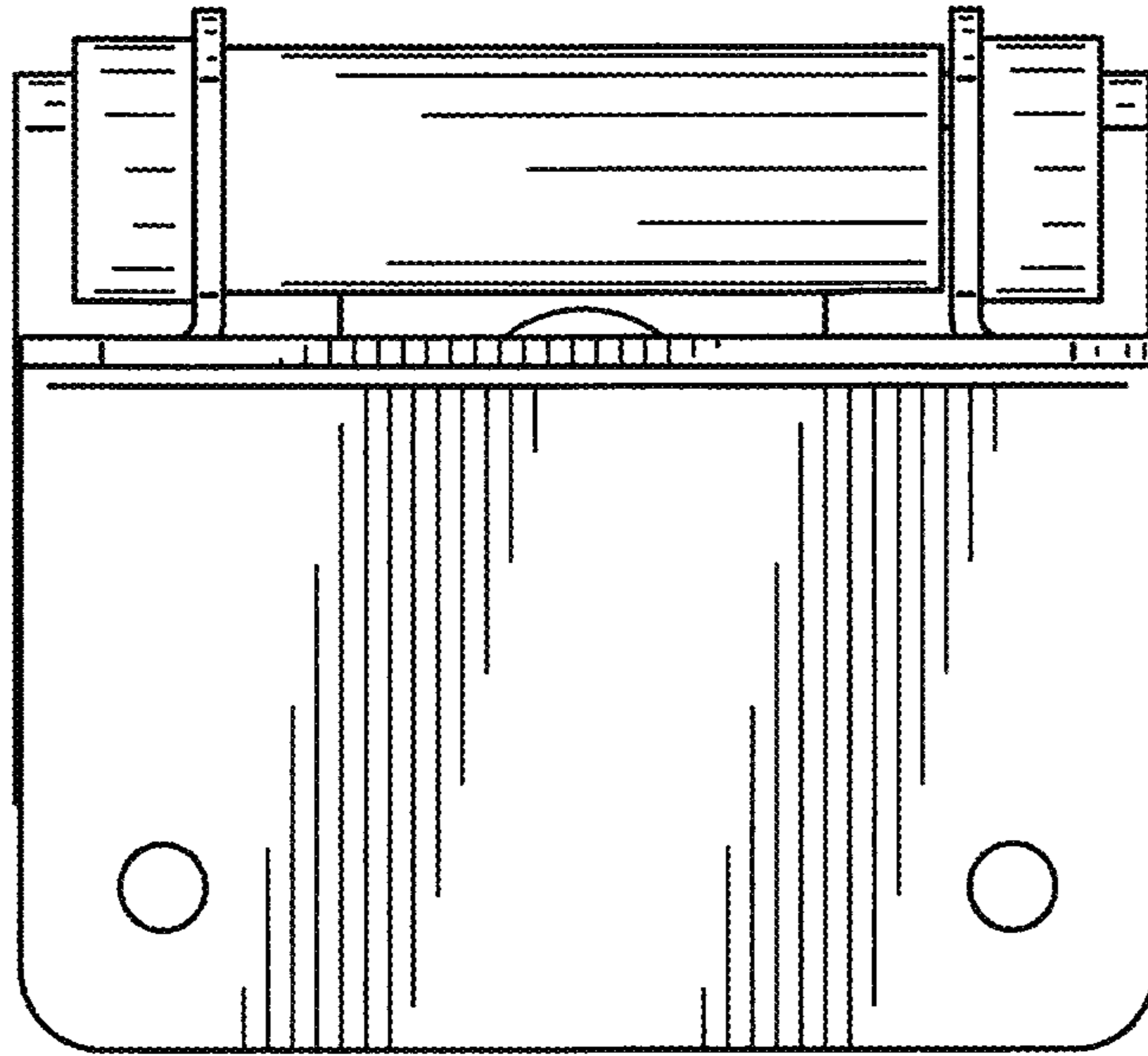


FIG. 8

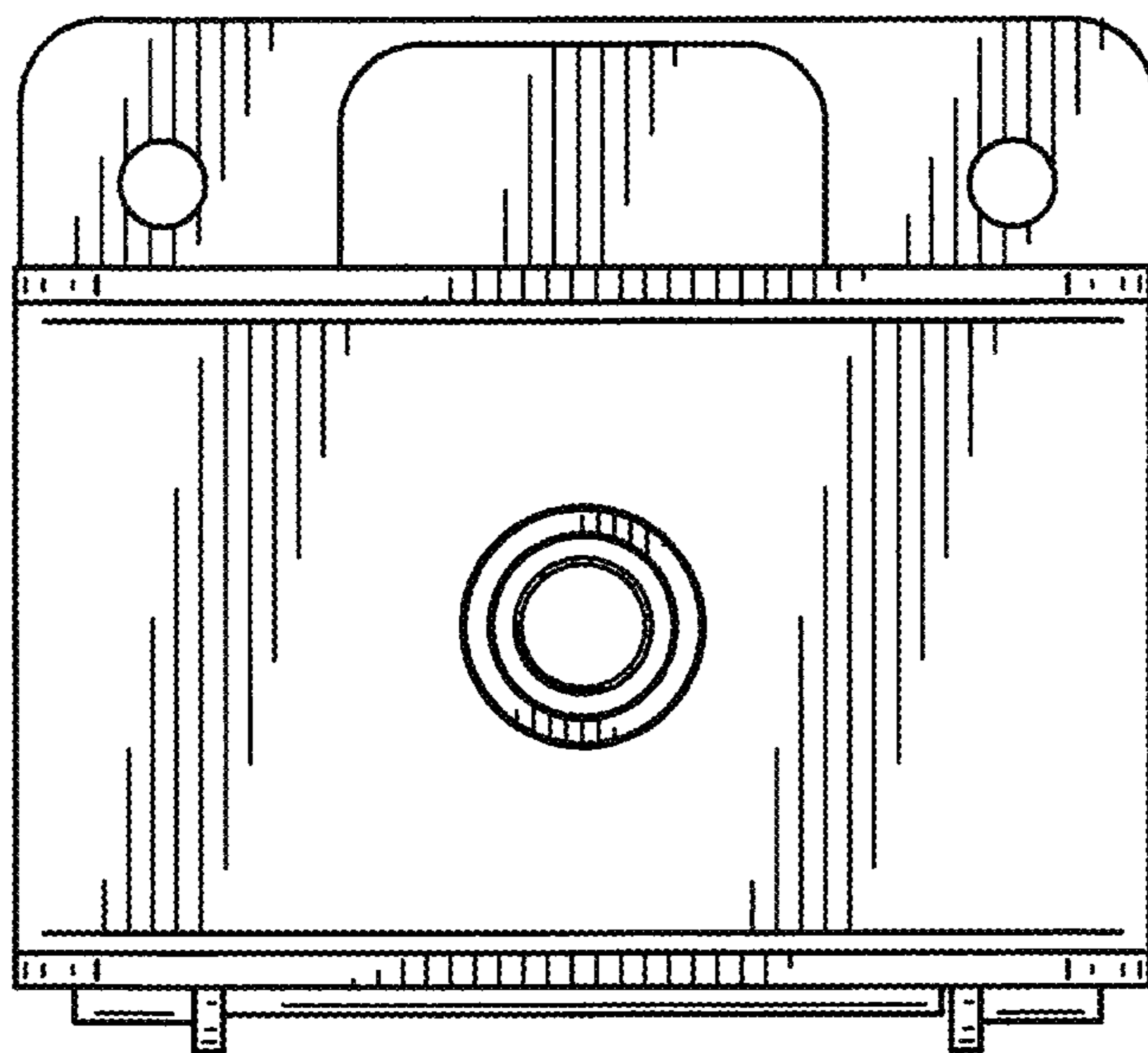


FIG. 7

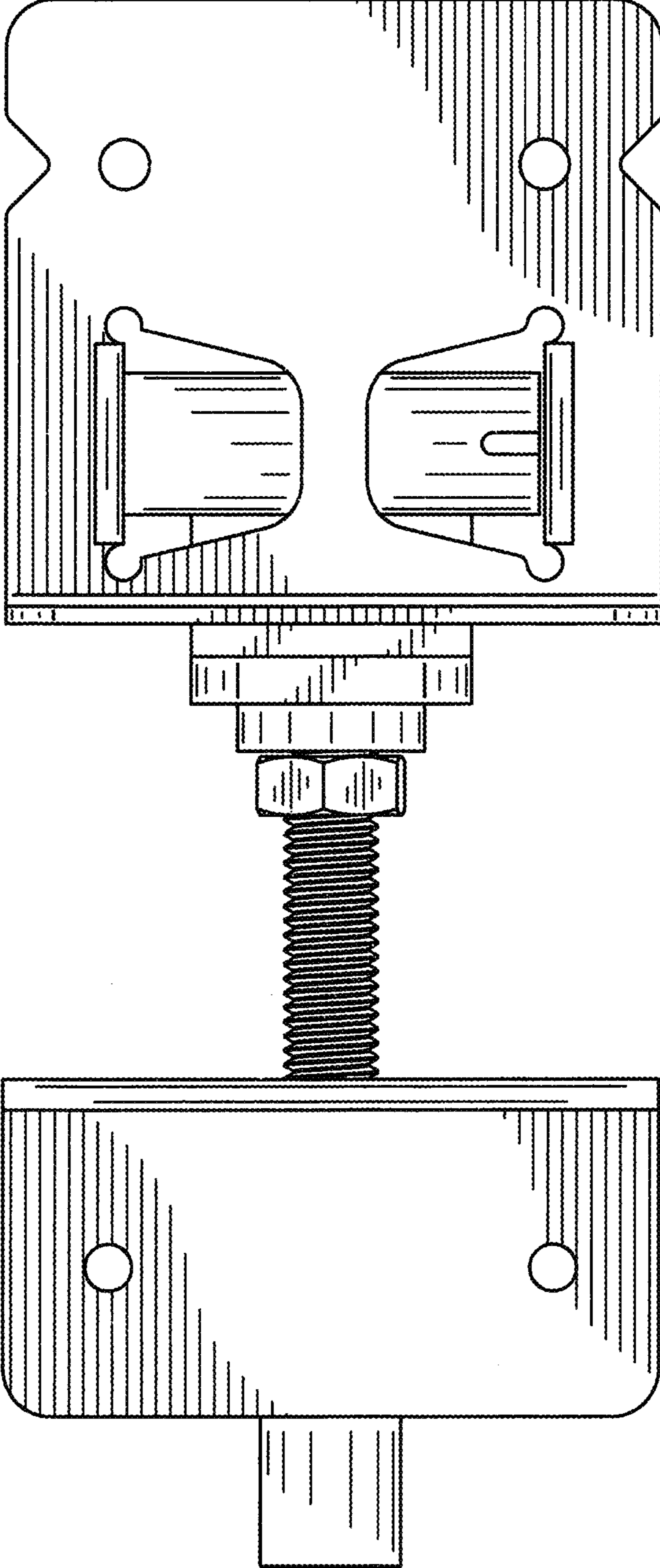


FIG. 9

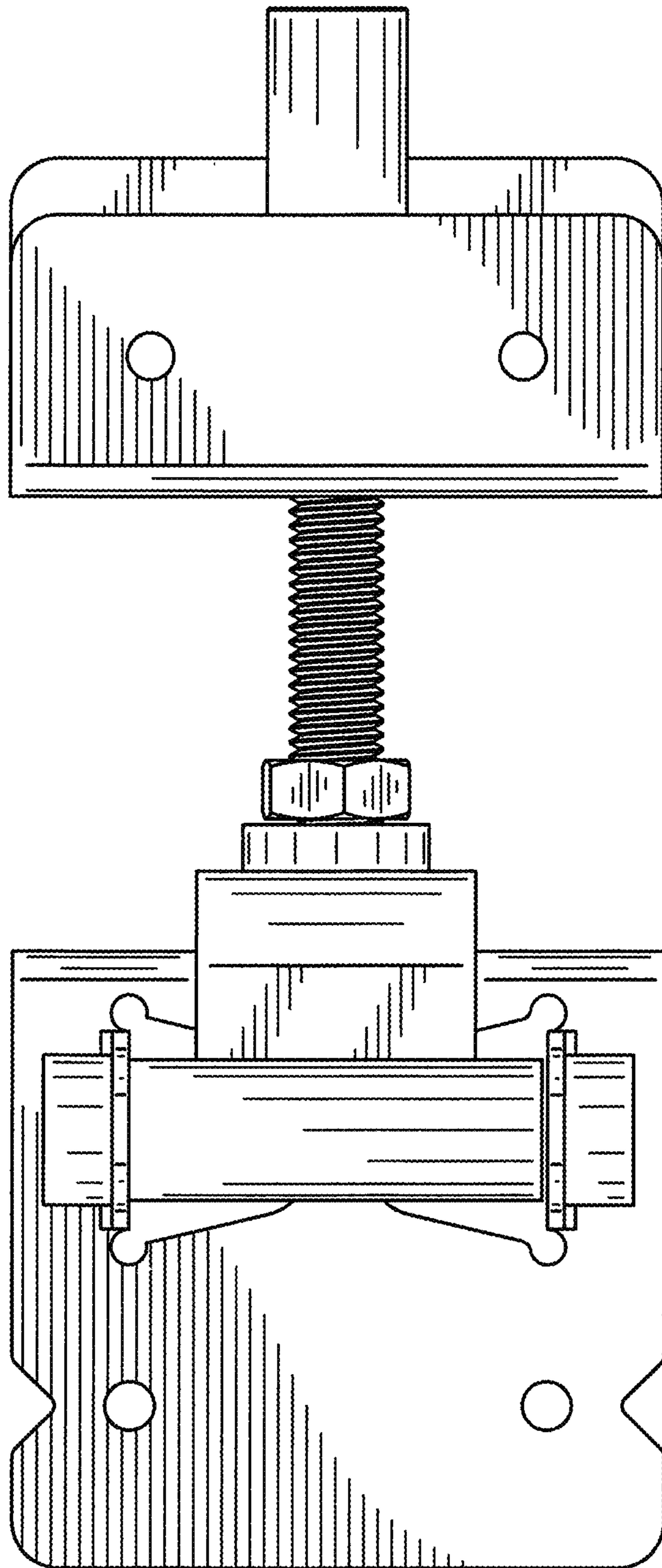


FIG. 10