



US00D817143S

(12) **United States Design Patent**
Rohrbach

(10) **Patent No.:** **US D817,143 S**

(45) **Date of Patent:** **** May 8, 2018**

(54) **UTILITY KNIFE**

(71) Applicant: **MARTOR KG**, Solingen (DE)

(72) Inventor: **Martin Rohrbach**, Horn (DE)

(73) Assignee: **MARTOR KG**, Solingen (DE)

(**) Term: **15 Years**

(21) Appl. No.: **29/587,219**

(22) Filed: **Dec. 12, 2016**

(51) **LOC (11) Cl.** **08-03**

(52) **U.S. Cl.**
USPC **D8/98**

(58) **Field of Classification Search**
USPC D8/14, 98, 99, 102, 104, 105, 107
CPC .. B26B 3/04; B26B 3/08; B26B 29/00; B26B
29/06; B26B 5/00; B26B 5/006
See application file for complete search history.

(56) **References Cited**

U.S. PATENT DOCUMENTS

D575,613 S *	8/2008	Jennings	D8/98
D636,248 S *	4/2011	Still	D8/98
D660,674 S *	5/2012	Still	D8/98
D714,611 S *	10/2014	Yu Chen	D8/98
D752,942 S *	4/2016	Rohrbach	D8/98

D767,966 S *	10/2016	Standlee	D8/98
D784,105 S *	4/2017	Nelson	D8/83
2010/0263219 A1*	10/2010	Kempker	B25F 1/02 30/337

* cited by examiner

Primary Examiner — Phillip S Hyder

(74) *Attorney, Agent, or Firm* — Andrew Wilford

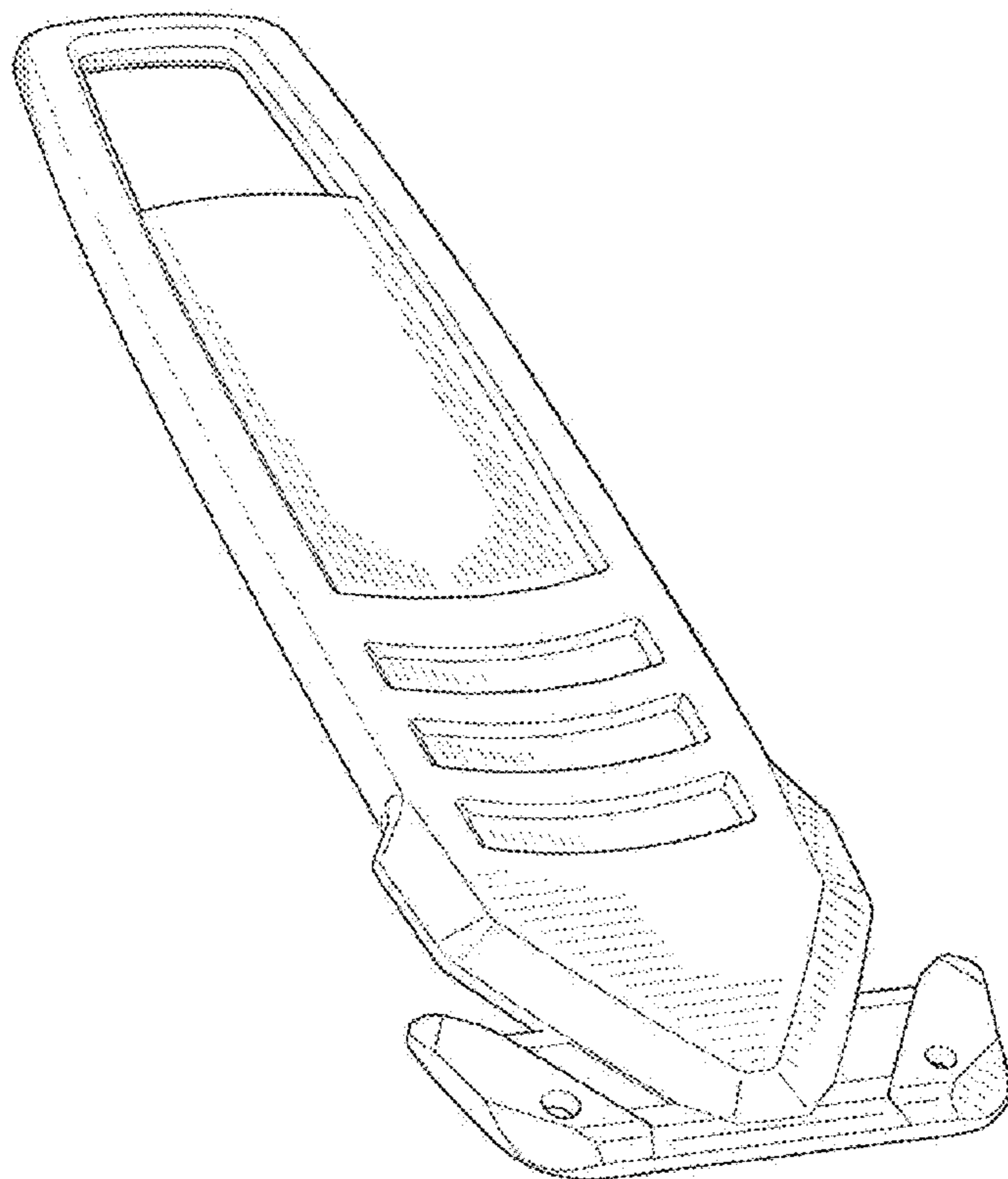
(57) **CLAIM**

The ornamental design for a utility knife, as shown and described.

DESCRIPTION

FIG. 1 is a top view of the knife of this invention; FIG. 2 is a bottom view of the invention, which is essentially identical to the top view of FIG. 1; FIG. 3 is a perspective top view of the invention; FIG. 4 is an end view as seen from above in FIG. 1; FIG. 5 is an end view as seen from below in FIG. 1; FIG. 6 is a right-hand side view of the invention; FIG. 7 is a left-hand side view of the invention, which is essentially identical to the view of FIG. 6; FIG. 8 is an enlarged detail view of the center portion of the utility knife as shown in FIG. 1; and, FIG. 9 is an enlarged detail view of the lower end of the utility knife as shown in FIG. 1. The broken lines in FIGS. 8 and 9 portray boundaries that form no part of the claimed design.

1 Claim, 6 Drawing Sheets



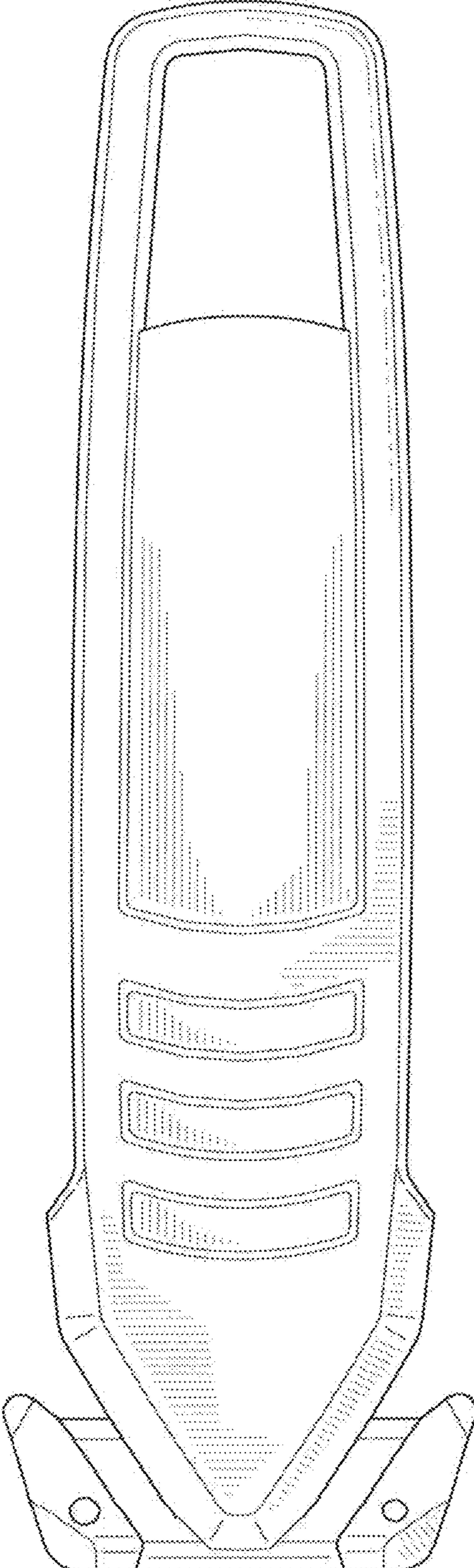


Fig. 1

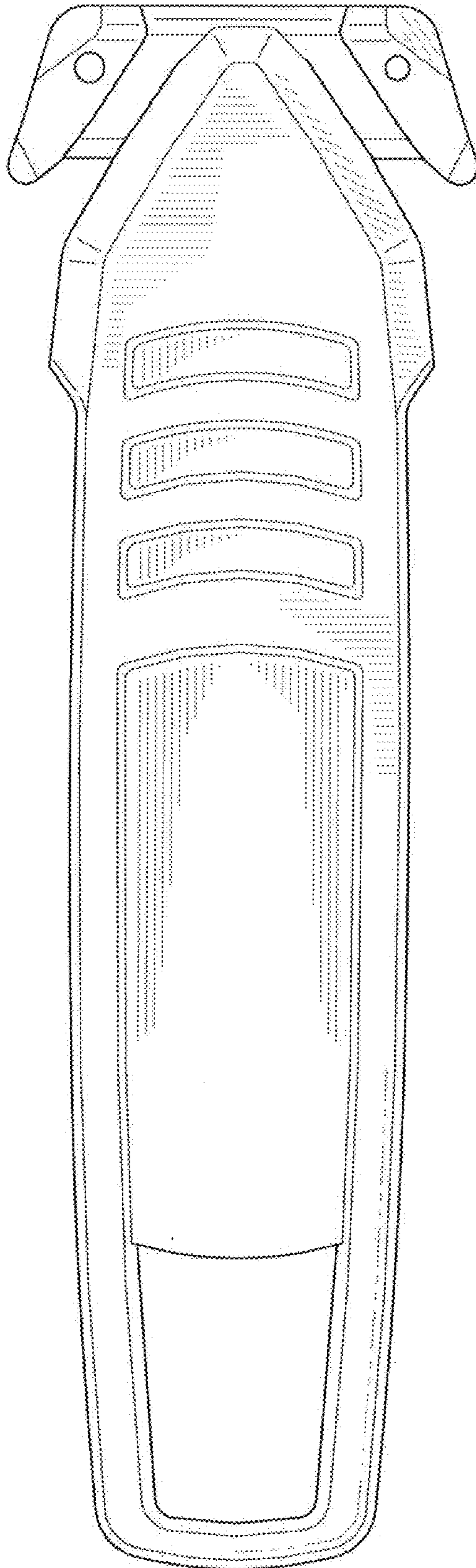


Fig. 2

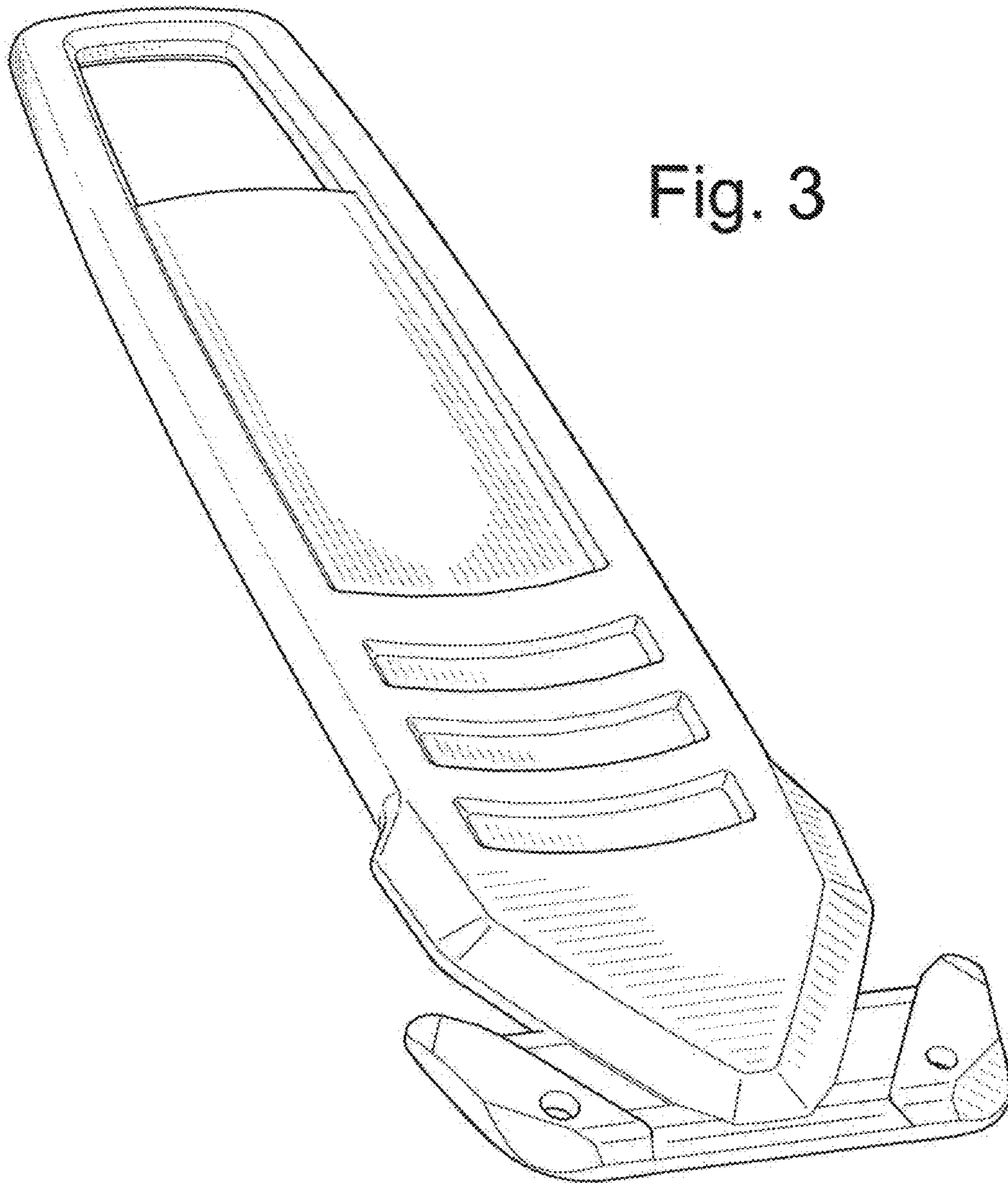


Fig. 3

Fig. 4



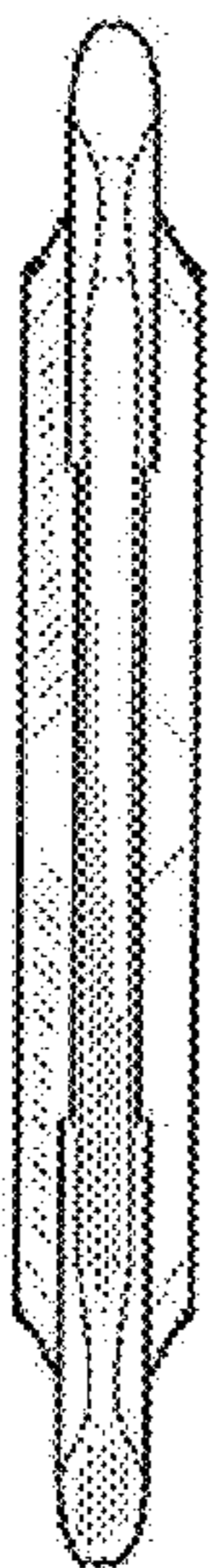
Fig. 6



Fig. 7



Fig. 5



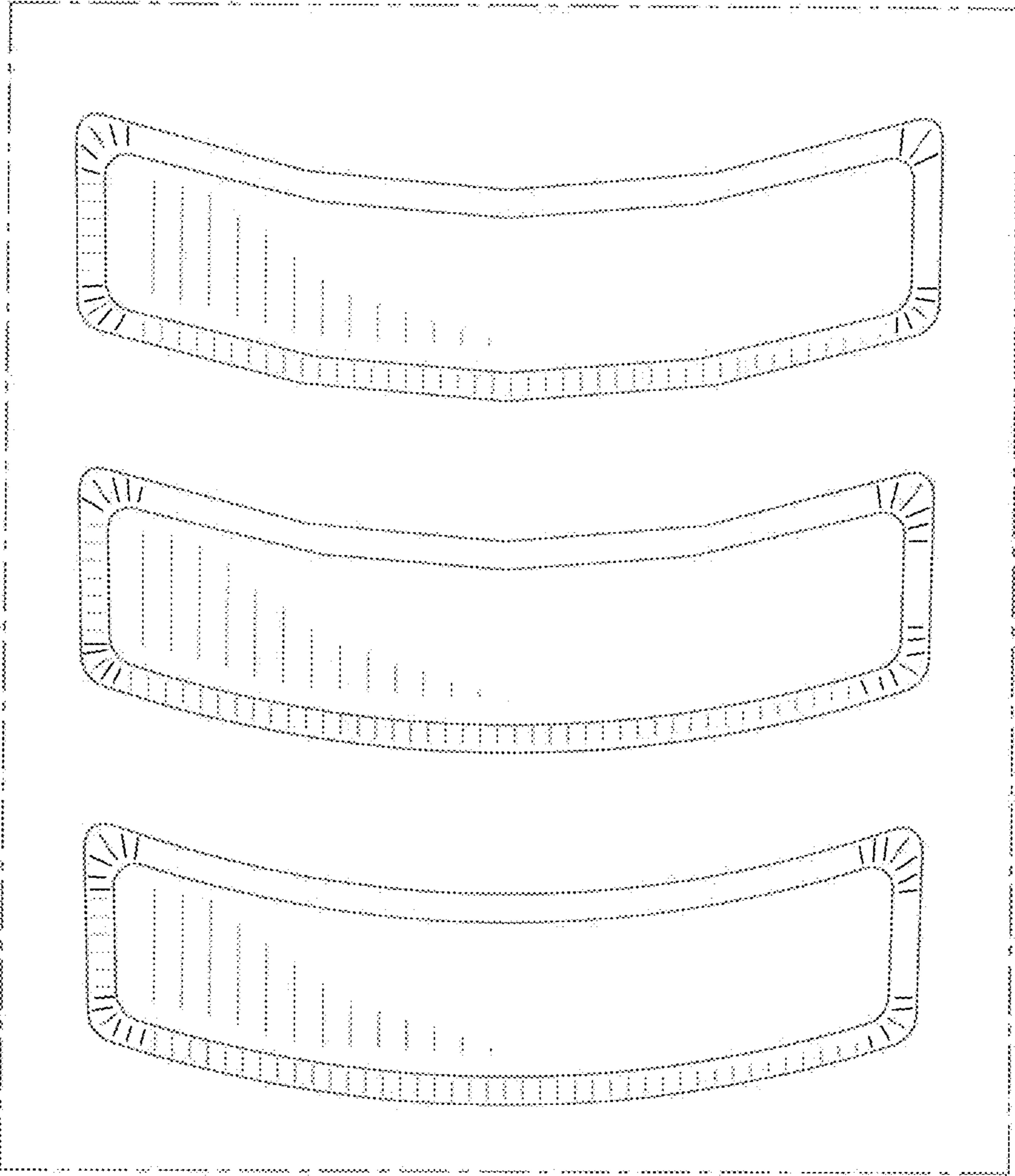


Fig. 8

Fig. 9

