



US00D817140S

(12) **United States Design Patent**  
**Mouthaan**

(10) **Patent No.:** **US D817,140 S**

(45) **Date of Patent:** **\*\* May 8, 2018**

- (54) **TOOL SUPPORT ADAPTER BLOCK**
- (71) Applicant: **Supplier of Solutions, LLC**, Park City, UT (US)
- (72) Inventor: **Daniel J. Mouthaan**, Hideout, UT (US)
- (73) Assignee: **SUPPLIER OF SOLUTIONS, LLC**, Park City, UT (US)
- (\*\*) Term: **15 Years**
- (21) Appl. No.: **29/598,300**
- (22) Filed: **Mar. 24, 2017**
- (51) **LOC (11) Cl.** ..... **08-05**
- (52) **U.S. Cl.**  
USPC ..... **D8/71**
- (58) **Field of Classification Search**  
USPC .... D8/16, 19, 350, 353, 354, 364, 366, 499, D8/380, 381, 71  
See application file for complete search history.

- 2008/0053711 A1\* 3/2008 O'Neill ..... E21C 35/183 175/432
- 2011/0241407 A1\* 10/2011 Fader ..... E21C 35/183 299/29
- 2013/0026810 A1\* 1/2013 Ojanen ..... E21C 35/183 299/104
- 2013/0241265 A1\* 9/2013 Lehnert ..... E21C 35/18 299/79.1
- 2014/0117741 A1\* 5/2014 Lehnert ..... E21C 35/193 299/81.1
- 2016/0102550 A1\* 4/2016 Paros ..... E21C 35/197 299/113
- 2016/0230551 A1\* 8/2016 Lehnert ..... E21C 35/18

\* cited by examiner

*Primary Examiner* — Lakiya G Rogers  
*Assistant Examiner* — Harold E Blackwell, II  
(74) *Attorney, Agent, or Firm* — Warner Norcross and Judd LLP

(57) **CLAIM**

The ornamental designs for a tool support adapter block, as shown and described.

**DESCRIPTION**

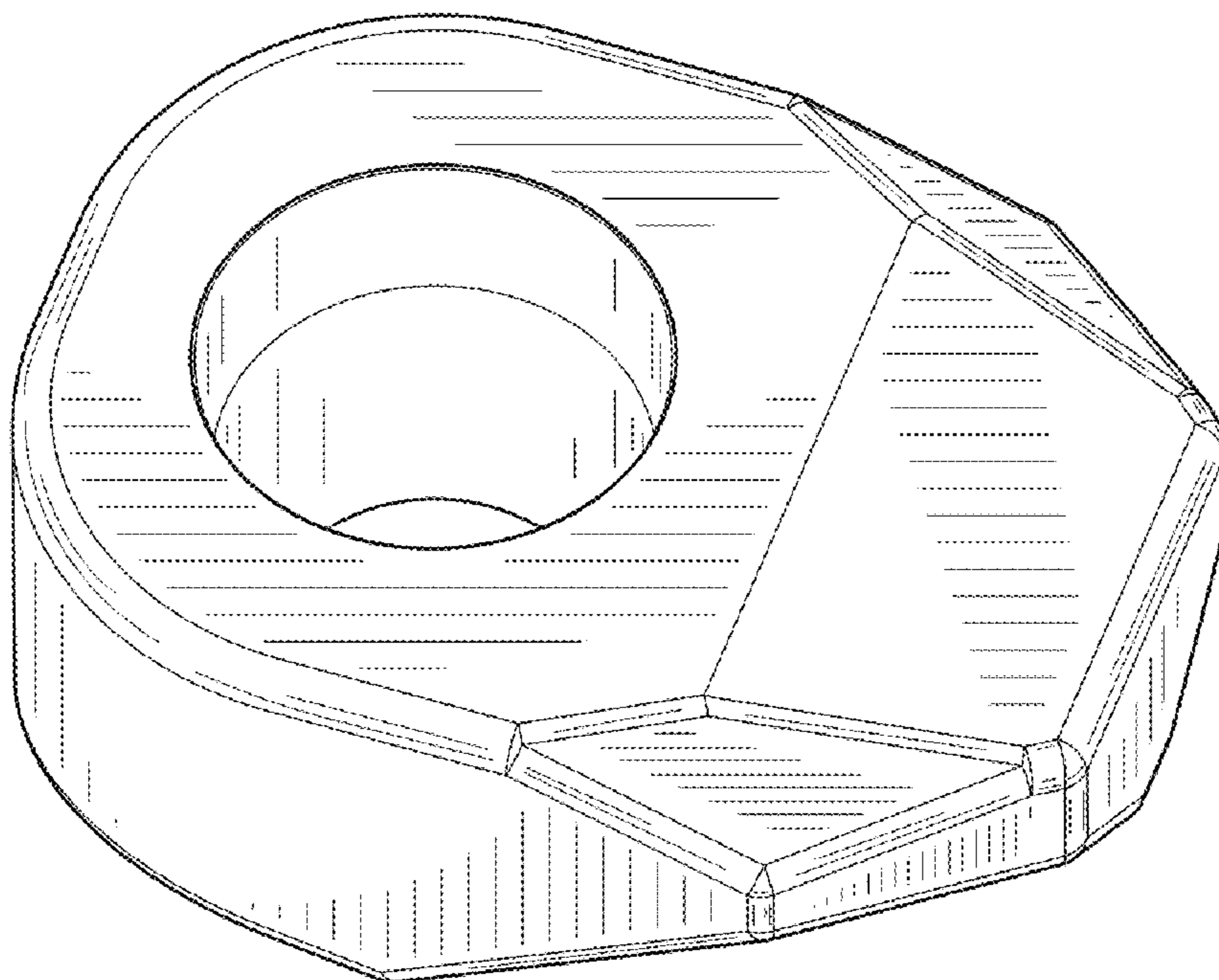
FIG. 1 is a bottom perspective view of the tool support adapter block embodying the new design. FIG. 2 is a top perspective view thereof. FIG. 3 is a front view thereof. FIG. 4 is a rear view thereof. FIG. 5 is a right side view thereof. FIG. 6 is a left side view thereof. FIG. 7 is a bottom plan view thereof; and, FIG. 8 is a top view thereof.

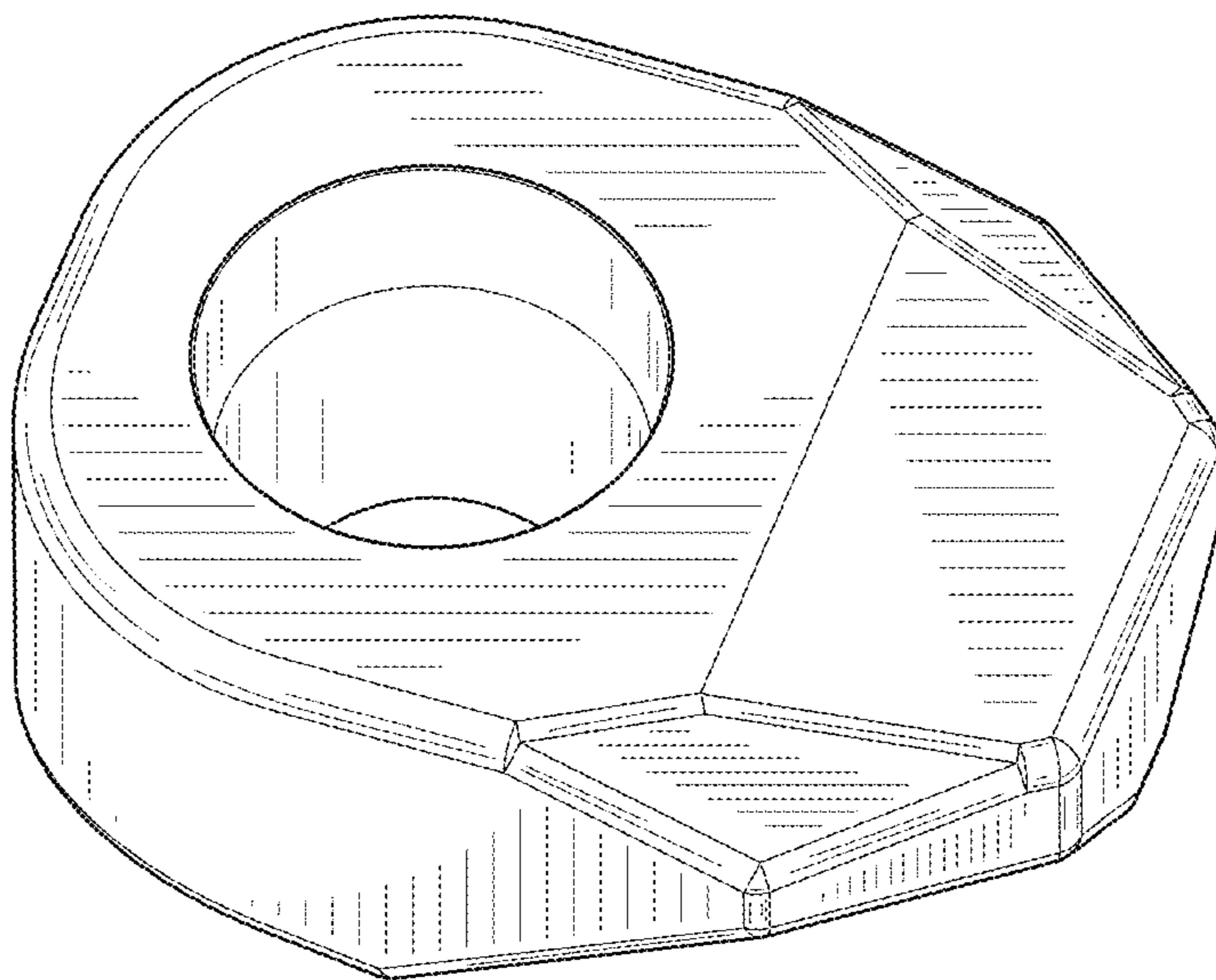
**1 Claim, 4 Drawing Sheets**

(56) **References Cited**

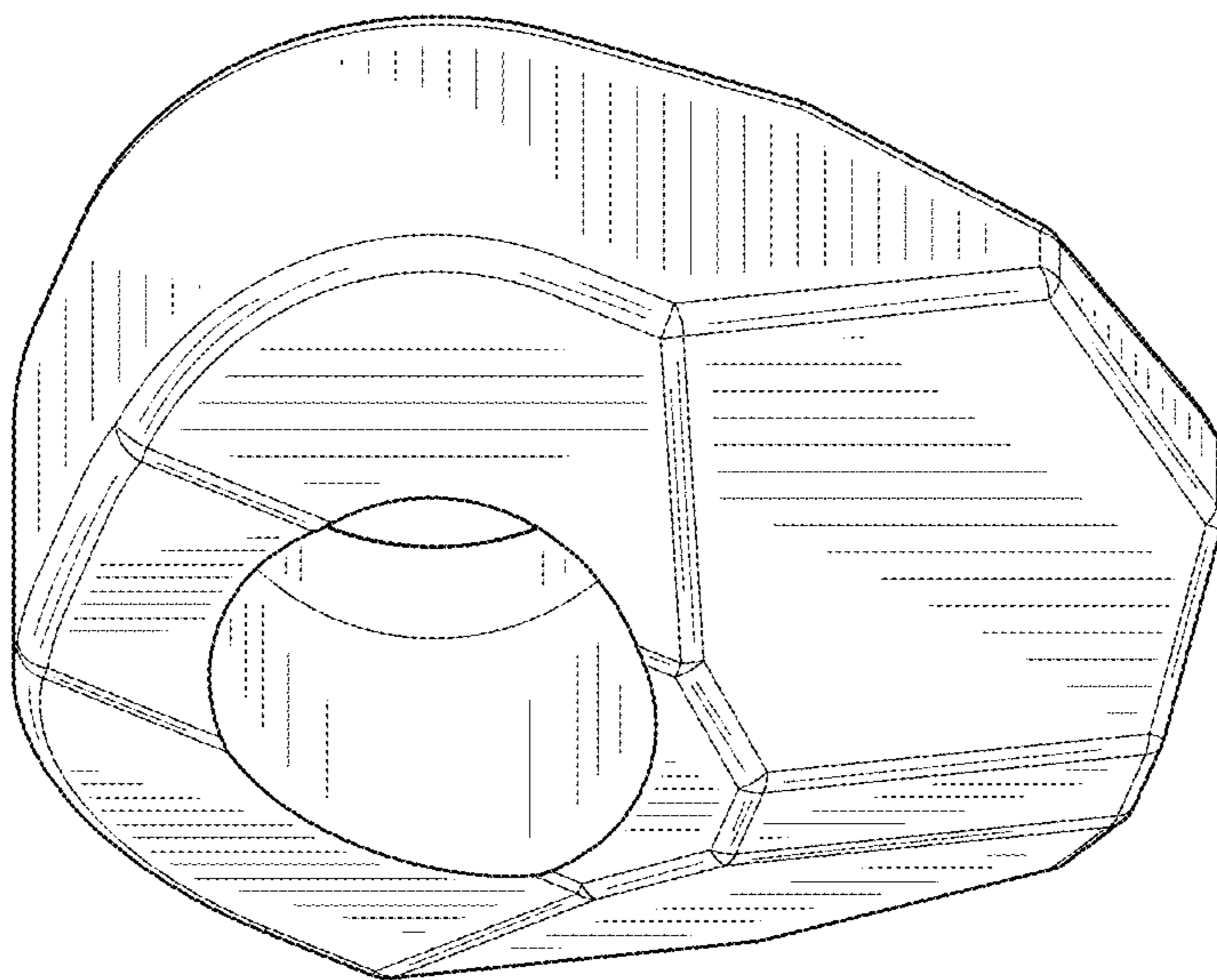
U.S. PATENT DOCUMENTS

- 4,091,692 A \* 5/1978 Wrulich ..... E21C 35/18 76/101.1
- 4,932,723 A \* 6/1990 Mills ..... E21C 35/183 299/104
- 5,251,964 A \* 10/1993 Ojanen ..... B23K 1/001 175/435
- 6,244,665 B1 \* 6/2001 Bise ..... E21C 35/18 299/106
- D778,702 S 2/2017 Mouthaan

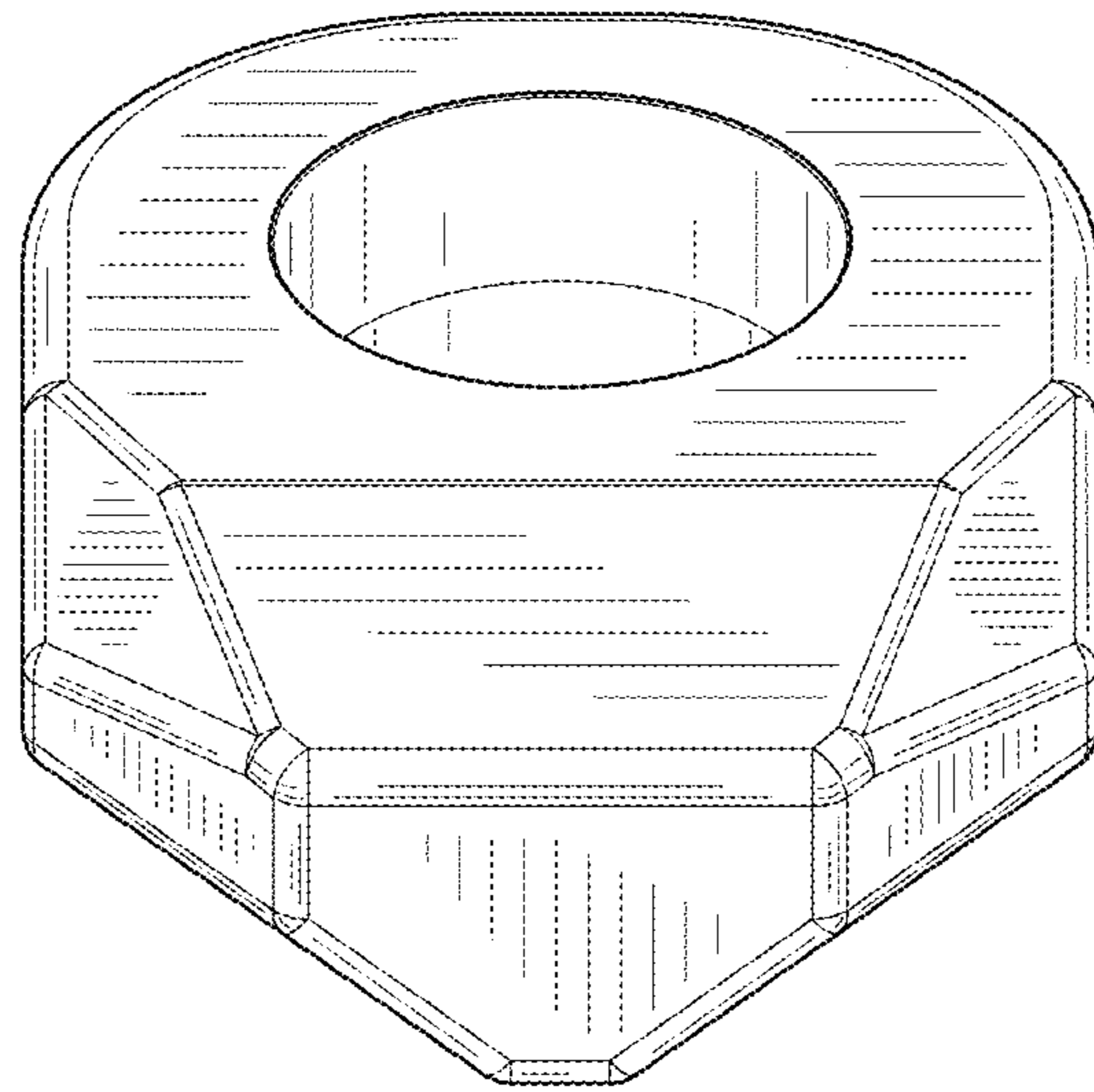




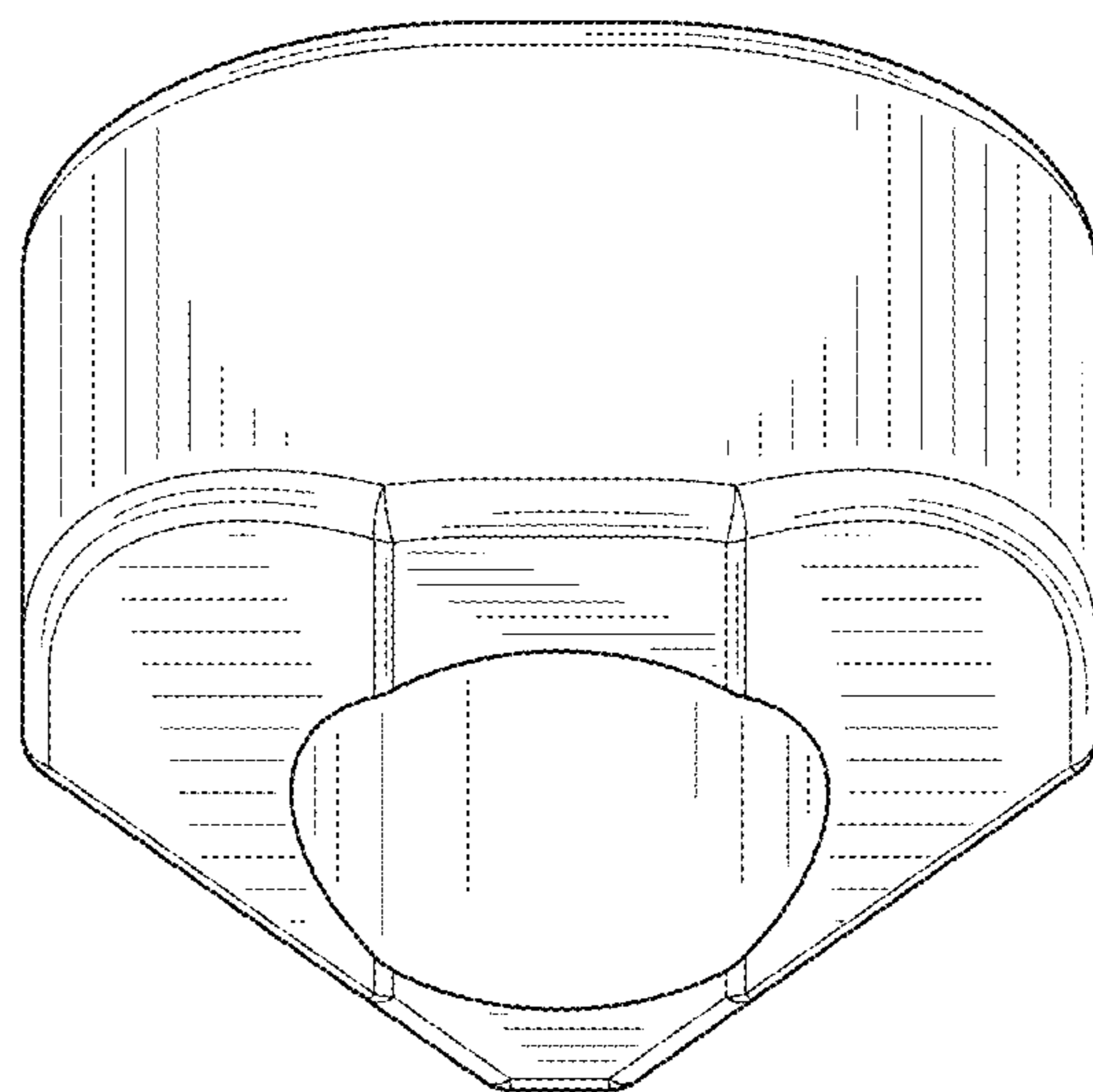
**FIG. 1**



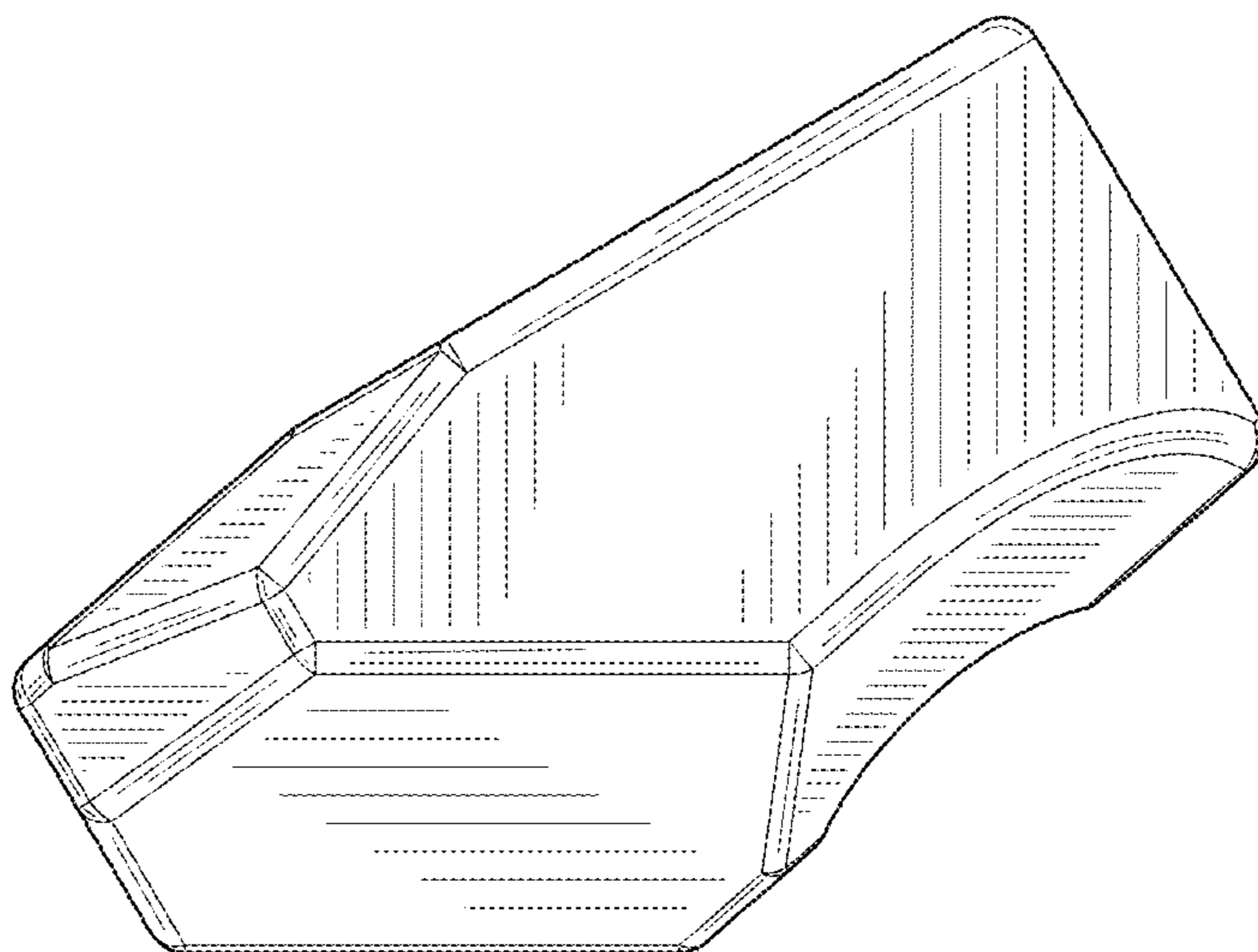
**FIG. 2**



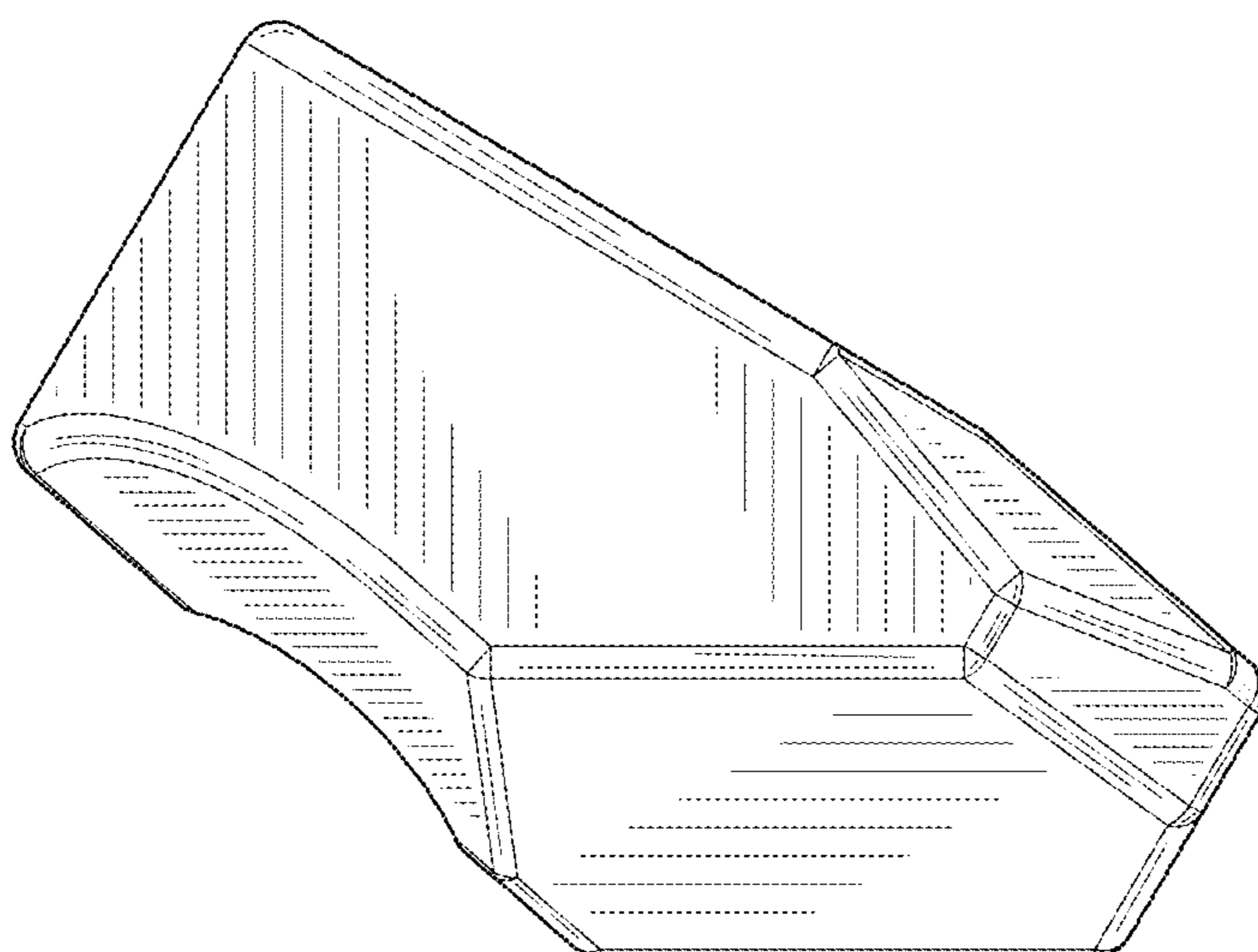
**FIG. 3**



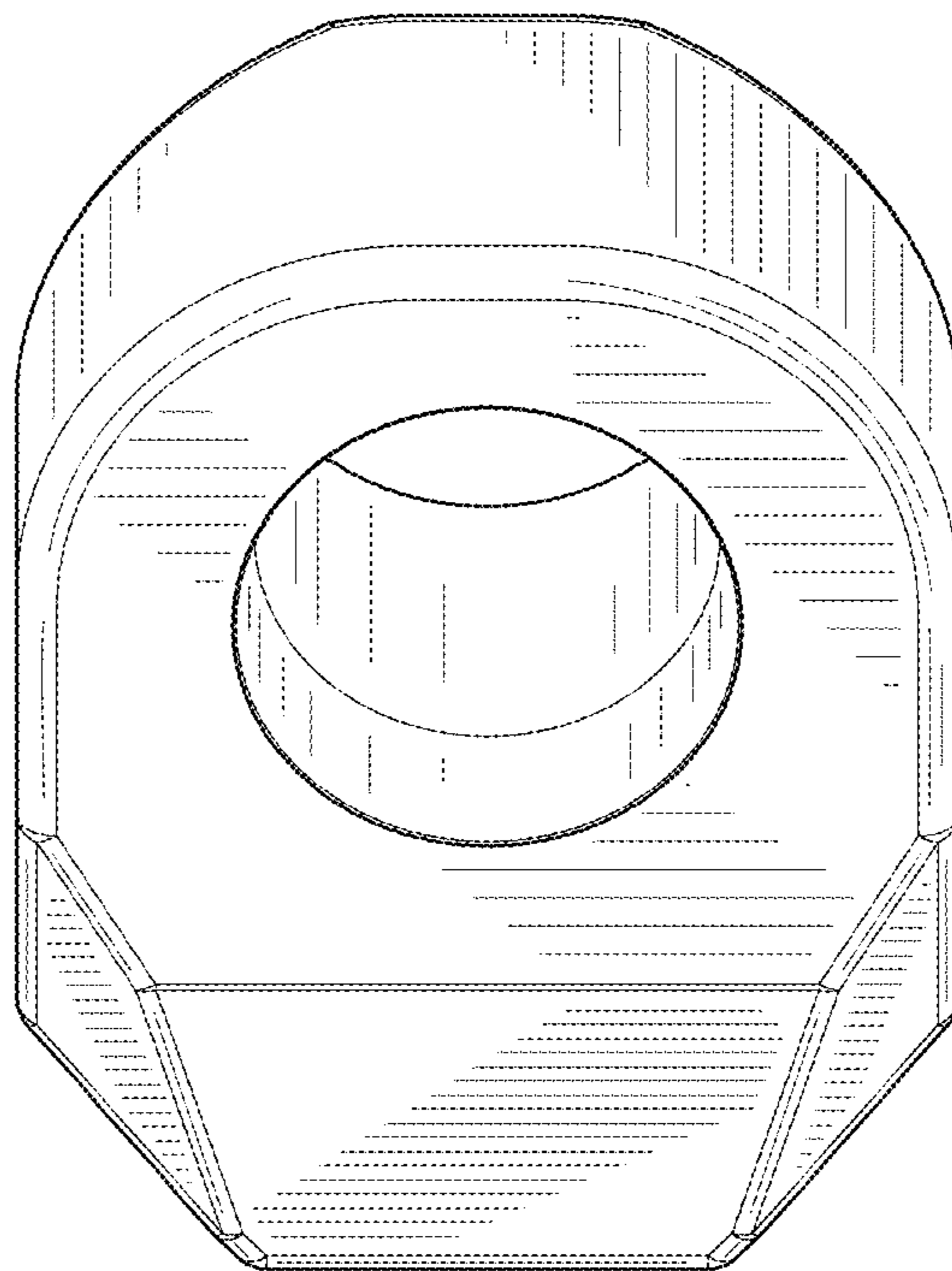
**FIG. 4**



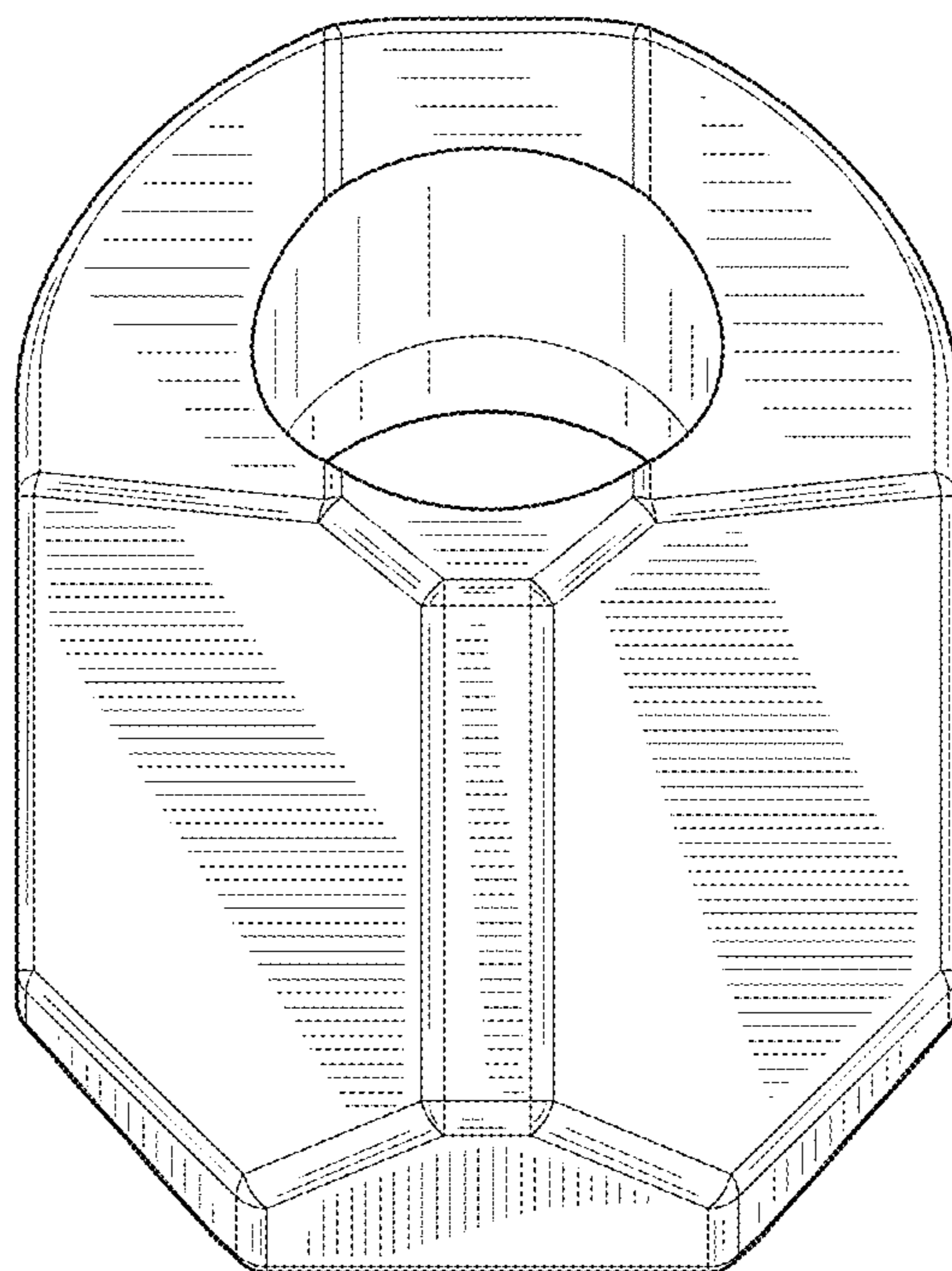
**FIG. 5**



**FIG. 6**



**FIG. 7**



**FIG. 8**