



US00D817139S

(12) **United States Design Patent**
Fellmann et al.

(10) **Patent No.:** **US D817,139 S**

(45) **Date of Patent:** **** May 8, 2018**

(54) **SAW BLADE**

(71) Applicant: **Robert Bosch GmbH**, Stuttgart (DE)

(72) Inventors: **Willi Fellmann**, Solothurn/Schweiz (CH); **Milan Bozic**, Solothurn (CH)

(73) Assignee: **Robert Bosch GmbH**, Stuttgart (DE)

(**) Term: **15 Years**

(21) Appl. No.: **29/555,214**

(22) Filed: **Feb. 19, 2016**

(30) **Foreign Application Priority Data**

Aug. 21, 2015 (EM) 002758342

(51) **LOC (11) Cl.** **08-05**

(52) **U.S. Cl.**
USPC **D8/70**; D8/20; D15/133

(58) **Field of Classification Search**
USPC D8/20, 23, 41, 64, 66, 70, 92; D7/385;
D15/133
CPC B27B 5/00; B27B 33/08; B27B 33/12;
B27B 33/142; B27B 33/144; B27B
33/145
See application file for complete search history.

(56) **References Cited**

U.S. PATENT DOCUMENTS

D402,738 S	12/1998	Oswaks et al.	
D633,928 S *	3/2011	Nilsson	D15/138
D646,539 S *	10/2011	Maras	D8/70
D651,499 S *	1/2012	Tong	D8/70
D651,874 S *	1/2012	Davidian	D10/64
D651,875 S *	1/2012	Davidian	D10/64
D651,876 S *	1/2012	Davidian	D10/64
D651,877 S *	1/2012	Davidian	D10/64
D651,878 S *	1/2012	Davidian	D10/64
D652,274 S *	1/2012	Davidian	D10/64
D677,546 S *	3/2013	Zhou	D8/20
D692,958 S	11/2013	Barret et al.	

D693,193 S *	11/2013	Bozic	D8/20
D694,076 S *	11/2013	Davidian	D8/20
D694,077 S *	11/2013	Bozic	D8/20

(Continued)

OTHER PUBLICATIONS

<http://toolguyd.com/bosch-fein-starlock-oscillating-multi-tool-interface-preview/>—Published Dec. 2, 2015.*

(Continued)

Primary Examiner — Ian Simmons

Assistant Examiner — Mojtaba Tehrani

(74) *Attorney, Agent, or Firm* — Maginot, Moore & Beck LLP

(57) **CLAIM**

The ornamental design for a saw blade, as shown and described.

DESCRIPTION

Cross reference is made to copending U.S. design patent application Ser. No. 29/555,203 entitled “Saw Blade” by Fellmann et al. filed on even date herewith; U.S. design patent application Ser. No. 29/555,207 entitled “Saw Blade” by Butscher et al. filed on even date herewith; and U.S. design patent application Ser. No. 29/555,211 entitled “Saw Blade” by Butscher et al. filed on even date herewith.

FIG. 1 is a perspective view of a saw blade showing our new design;

FIG. 2 is a front elevational view thereof;

FIG. 3 is a rear elevational view thereof;

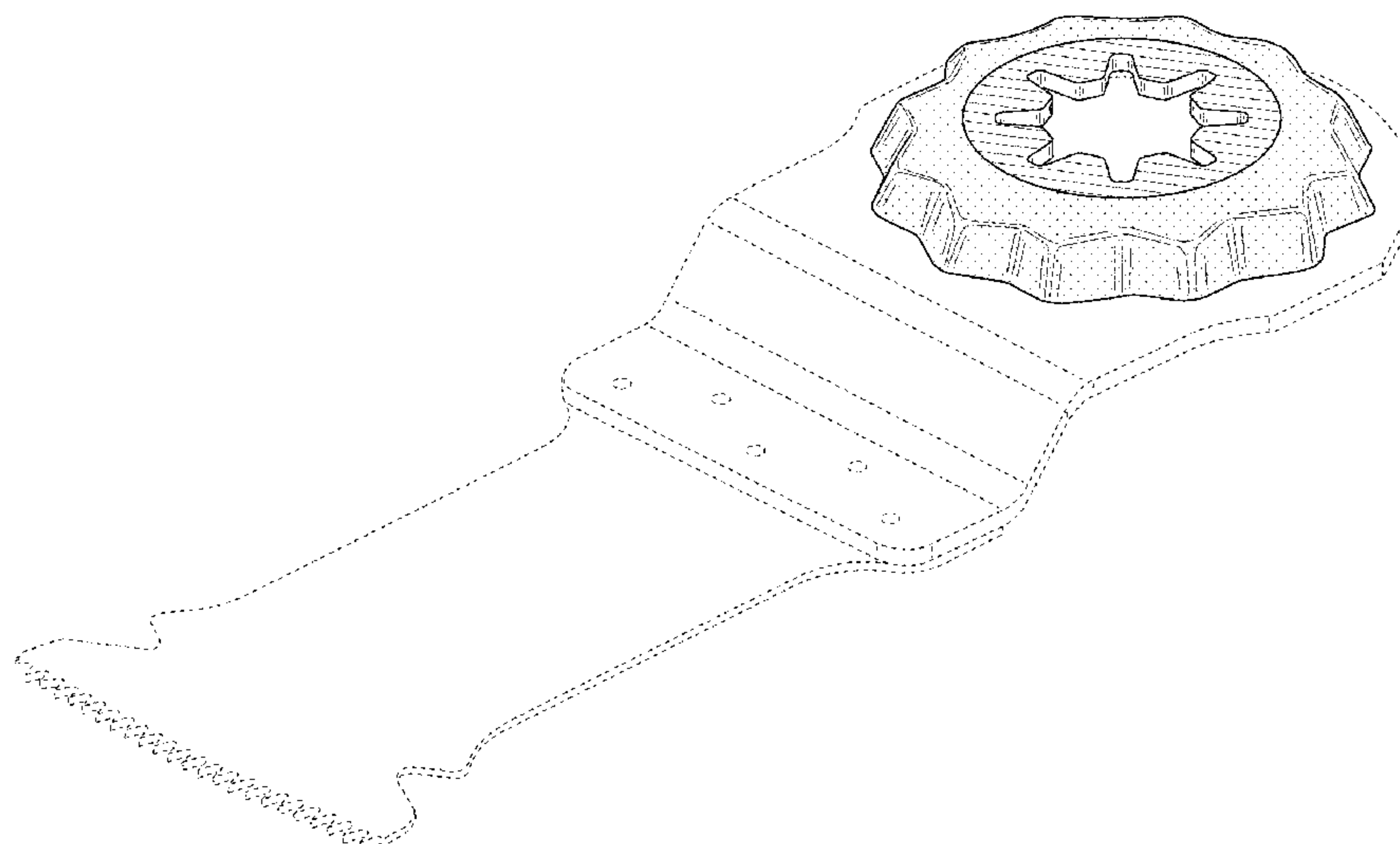
FIG. 4 is a right side elevational view thereof;

FIG. 5 is a left side elevational view thereof; and,

FIG. 6 is a top plan view thereof.

The broken lines shown in the drawings illustrate portions of the saw blade that form no part of the claimed design. The diagonal surface shading and the dotted surface shading illustrate a contrast in appearance.

1 Claim, 4 Drawing Sheets



(56)

References Cited

U.S. PATENT DOCUMENTS

D694,599 S * 12/2013 Davidian D8/20
D697,384 S * 1/2014 Wackwitz D15/140
D697,774 S * 1/2014 Bozic D8/70
D697,775 S * 1/2014 Bozic D8/70
D697,776 S * 1/2014 Bozic D8/70
D697,777 S * 1/2014 Bozic D8/70
D697,778 S * 1/2014 Bozic D8/70
D711,993 S 8/2014 Mirafior, III et al.
D713,231 S * 9/2014 Boozic D8/70
8,950,756 B2 * 2/2015 Lu B25F 3/00
279/143
D727,380 S * 4/2015 Zhang D15/139
D744,800 S * 12/2015 Cooksey D8/70
D746,655 S * 1/2016 Wackwitz D8/70
D789,759 S * 6/2017 Fellmann D8/70
2012/0045978 A1 * 2/2012 Mueller B24D 7/06
451/548
2014/0325855 A1 * 11/2014 Bozic B23D 61/006
30/392

OTHER PUBLICATIONS

<http://toolguyd.com/bosch-starlock-blades-for-your-older-oscillating-multi-tool-question/>—Published Mar. 28, 2016.*

* cited by examiner

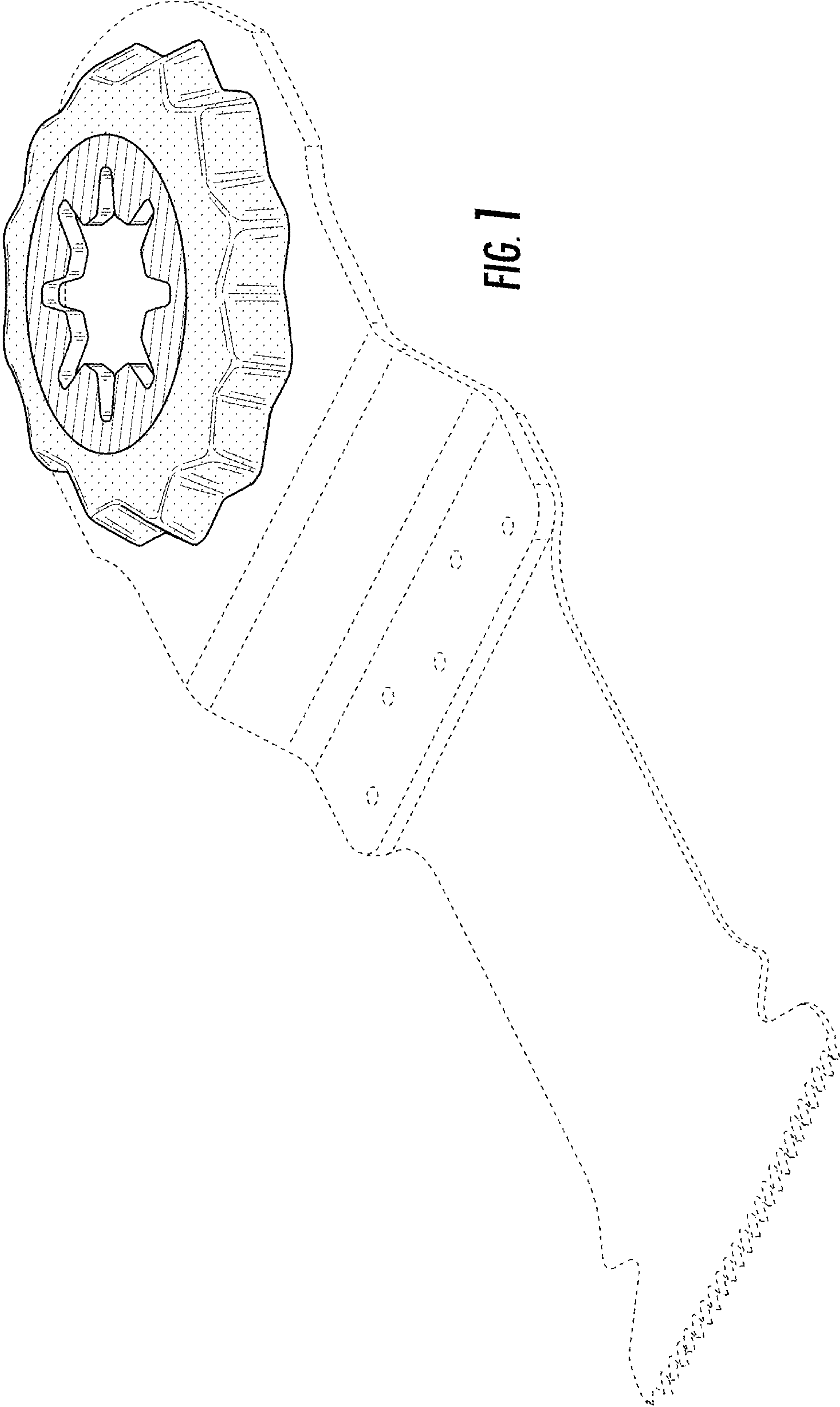


FIG. 1

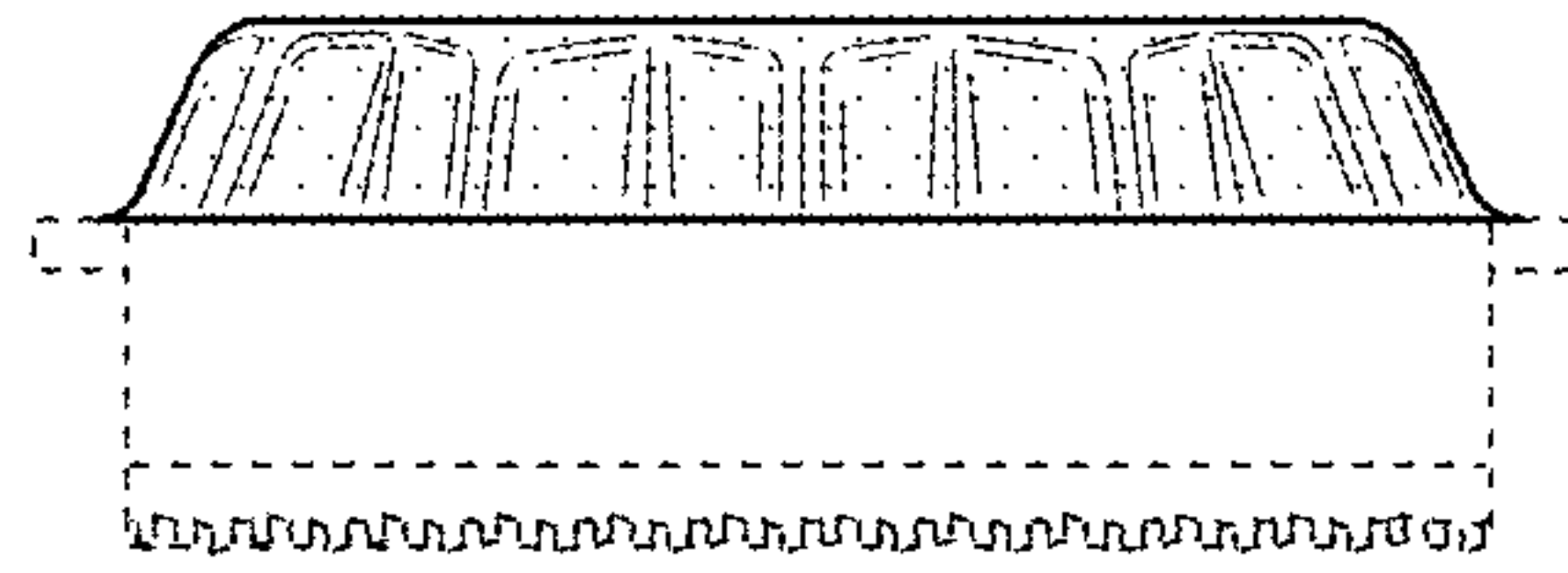


FIG. 2

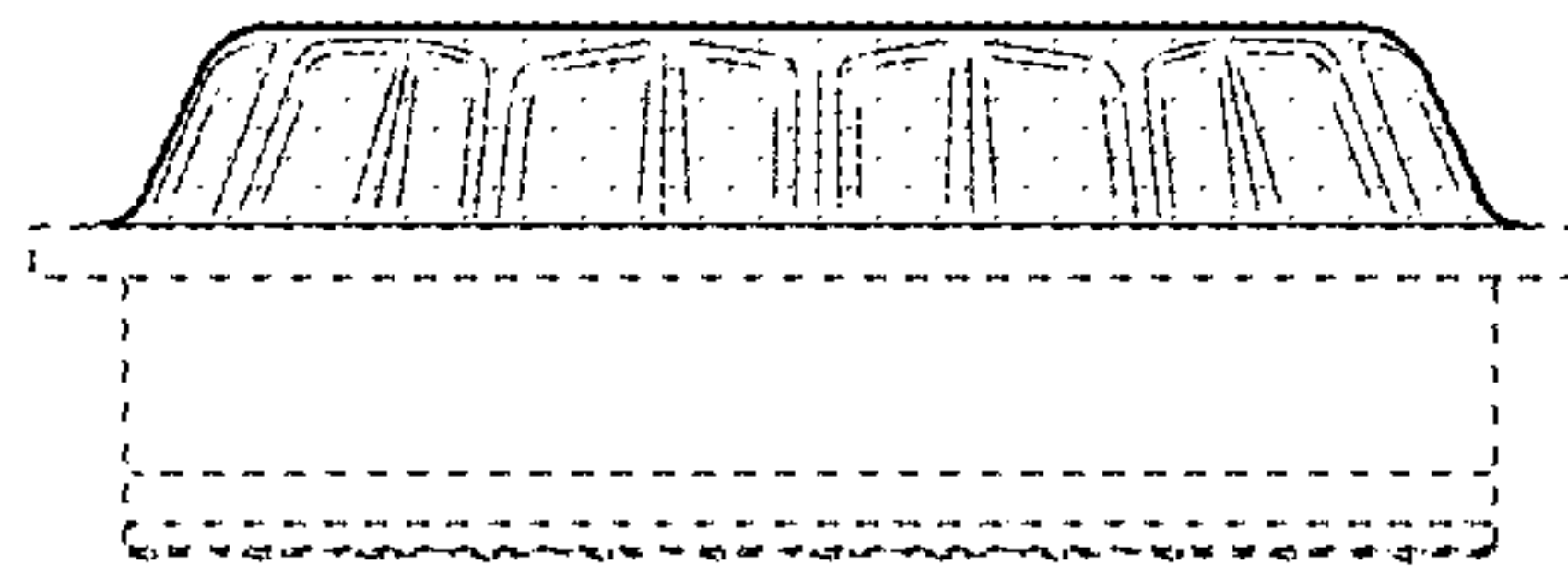


FIG. 3

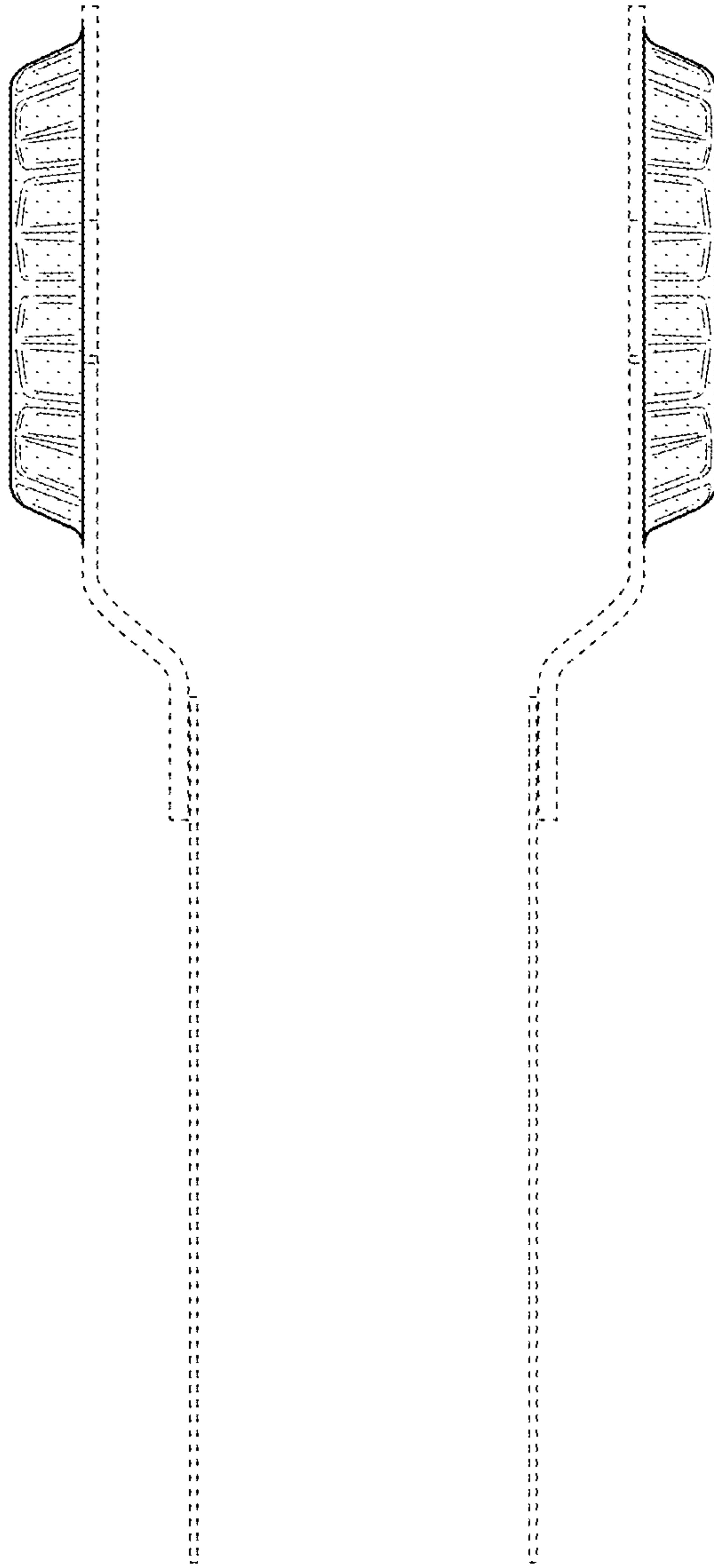


FIG. 4

FIG. 5

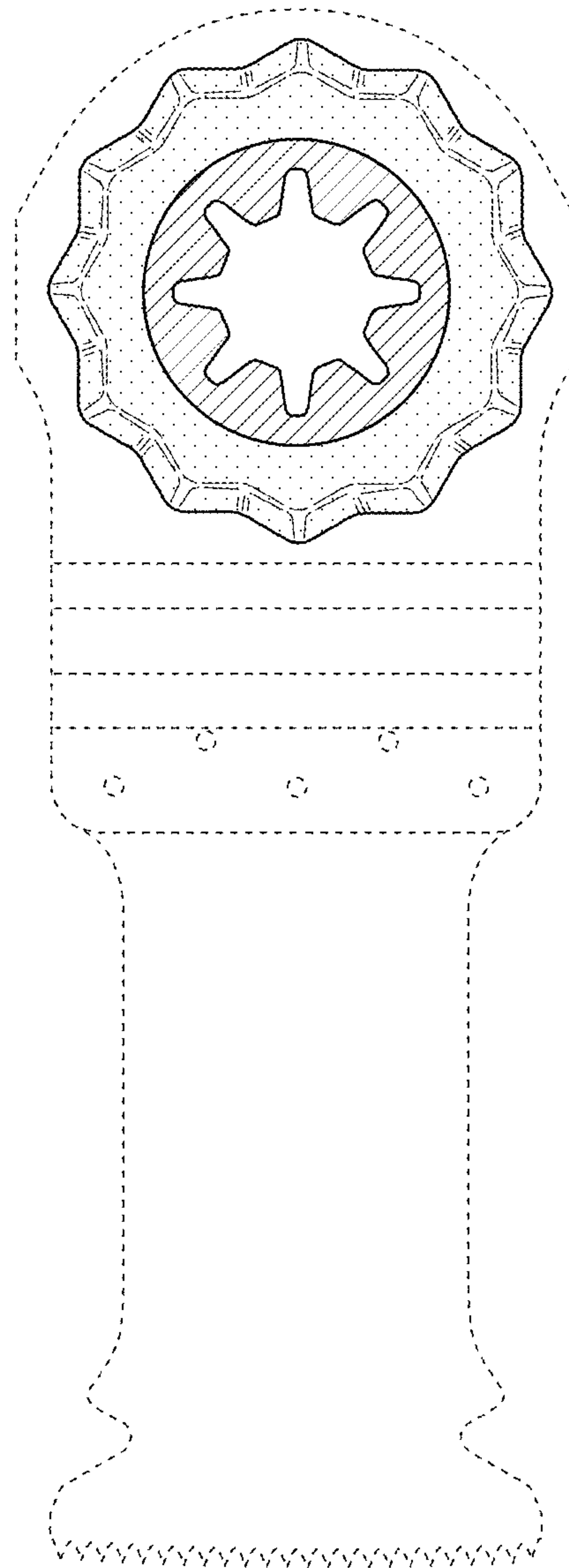


FIG. 6