



US00D817137S

(12) **United States Design Patent** (10) **Patent No.:** **US D817,137 S**
Becket (45) **Date of Patent:** **** May 8, 2018**

(54) **DISPENSER FOR CARTRIDGES**
(71) Applicant: **P.C. Cox Limited**, Newbury, Berkshire (GB)
(72) Inventor: **Clifford Becket**, Thatcham (GB)
(73) Assignee: **P.C. COX LIMITED**, Berkshire (GB)
(**) Term: **15 Years**
(21) Appl. No.: **29/564,453**

D639,127 S * 6/2011 Noniewicz D8/14.1
D660,105 S * 5/2012 Brummitt D8/14.1
D660,663 S * 5/2012 Brummitt D8/14.1
D687,273 S * 8/2013 Breitenmoser D8/14.1
8,528,785 B2 * 9/2013 Naughton B05C 17/00553
222/137
8,573,450 B2 * 11/2013 Hsu B05C 17/0103
222/333
D719,424 S * 12/2014 Okuda D8/14.1
D722,480 S * 2/2015 Zhu D8/14.1
D725,978 S * 4/2015 Uematsu D8/14.1
D751,875 S * 3/2016 Eckstein D8/14.1
D751,876 S * 3/2016 Herman D8/14.1
2012/0318826 A1 * 12/2012 Naughton B05C 17/01
222/327

(22) Filed: **May 13, 2016**
(51) **LOC (11) Cl.** **08-05**
(52) **U.S. Cl.**
USPC **D8/68**; D8/14.1
(58) **Field of Classification Search**
USPC D8/14, 14.1, 29.1, 29.2, 30, 61, 68
CPC B05C 17/103; B05C 17/116; B05C 17/01
See application file for complete search history.

(Continued)

Primary Examiner — Darlington Ly
(74) *Attorney, Agent, or Firm* — Global IP Counselors, LLP

(57) **CLAIM**

The ornamental design for a dispenser for cartridges, as shown and described.

(56) **References Cited**

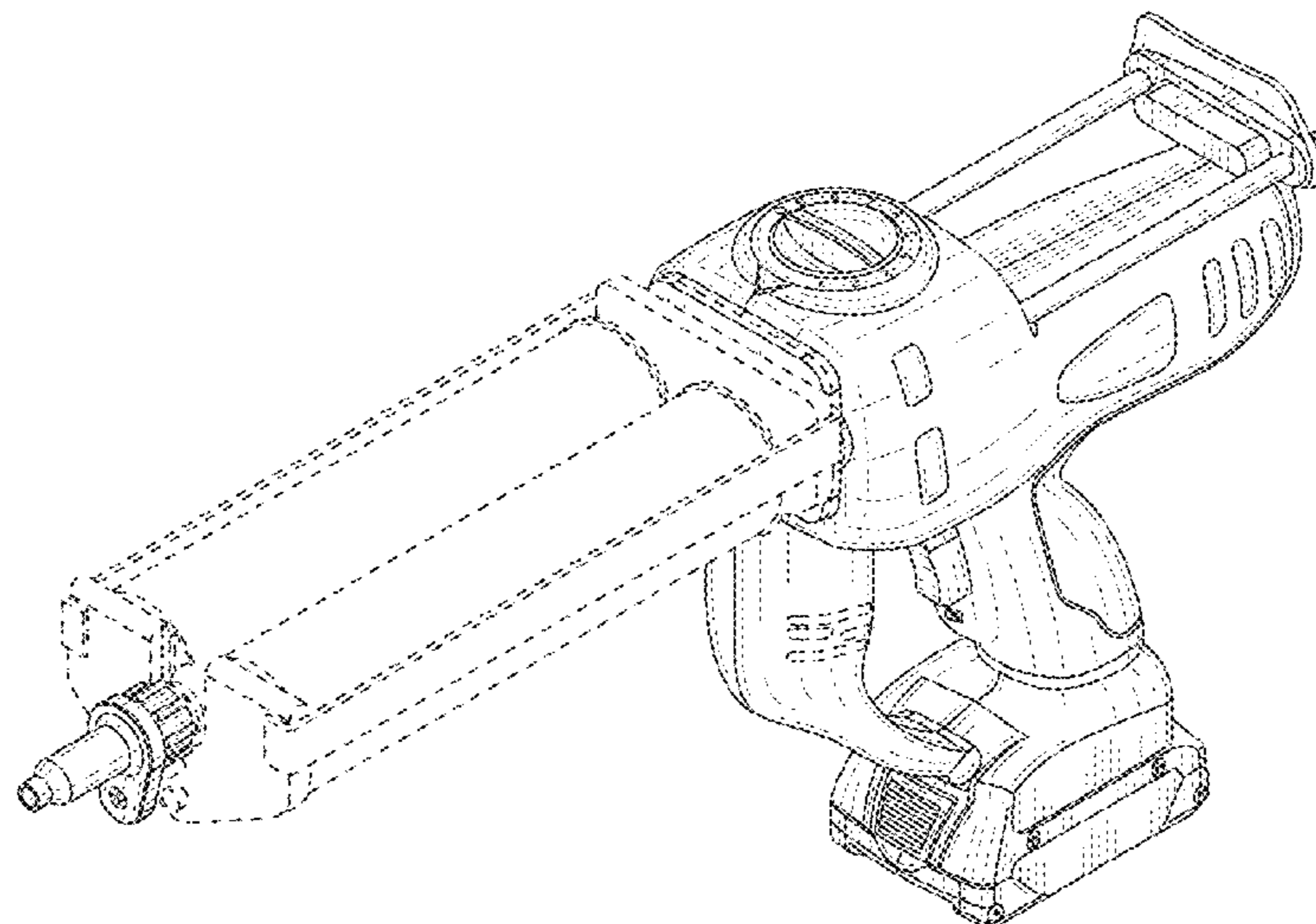
U.S. PATENT DOCUMENTS

D258,797 S * 4/1981 Davis, Jr. D8/14.1
4,615,469 A * 10/1986 Kishi B05C 17/0103
222/327
D290,681 S * 7/1987 Pudwill D8/14.1
D328,555 S * 8/1992 Keller D8/14.1
D343,103 S * 1/1994 Bunce D8/14.1
D348,811 S * 7/1994 Albers D8/14.1
5,762,239 A * 6/1998 Cossette B05C 17/0103
222/326
D510,242 S * 10/2005 Chen D8/14.1
D545,152 S * 6/2007 Lopano D8/14.1
D548,551 S * 8/2007 Lopano D8/14.1
D573,425 S * 7/2008 Post D8/14.1
D590,673 S * 4/2009 Guo D8/14.1
D603,668 S * 11/2009 Gullicks D8/14.1
7,637,392 B2 * 12/2009 Hsu B05C 17/0103
222/137
D635,835 S * 4/2011 Post D8/14.1

DESCRIPTION

FIG. 1 is a top, front, and right side perspective view of a dispenser for cartridges showing my new design; FIG. 2 is a top, rear, and right side perspective view thereof; FIG. 3 is a right side elevation view thereof; FIG. 4 is a left side elevation view thereof; FIG. 5 is a front elevation view thereof; FIG. 6 is a rear elevation view thereof; FIG. 7 is a top plan view thereof; and, FIG. 8 is a bottom plan view thereof. The broken line showing portions of the dispenser, cartridge support structure, and exemplary cartridges in the drawings do not form part of the claimed design.

1 Claim, 7 Drawing Sheets



(56)

References Cited

U.S. PATENT DOCUMENTS

2013/0043281 A1* 2/2013 Hsu B05C 17/0103
222/333
2013/0233893 A1* 9/2013 Kimura B05C 17/0103
222/333
2013/0270302 A1* 10/2013 Hsu B05B 12/002
222/333

* cited by examiner

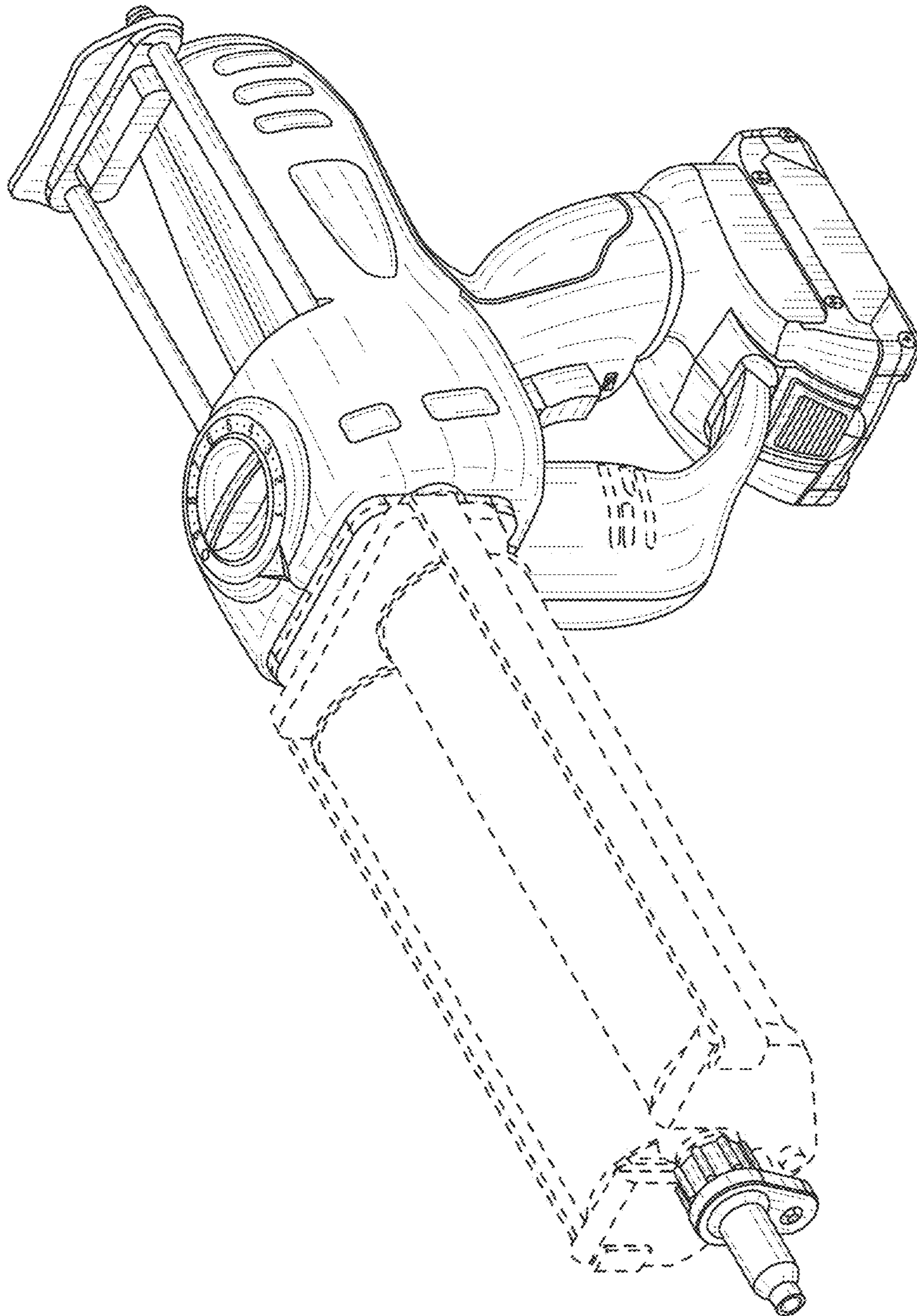


FIG. 1

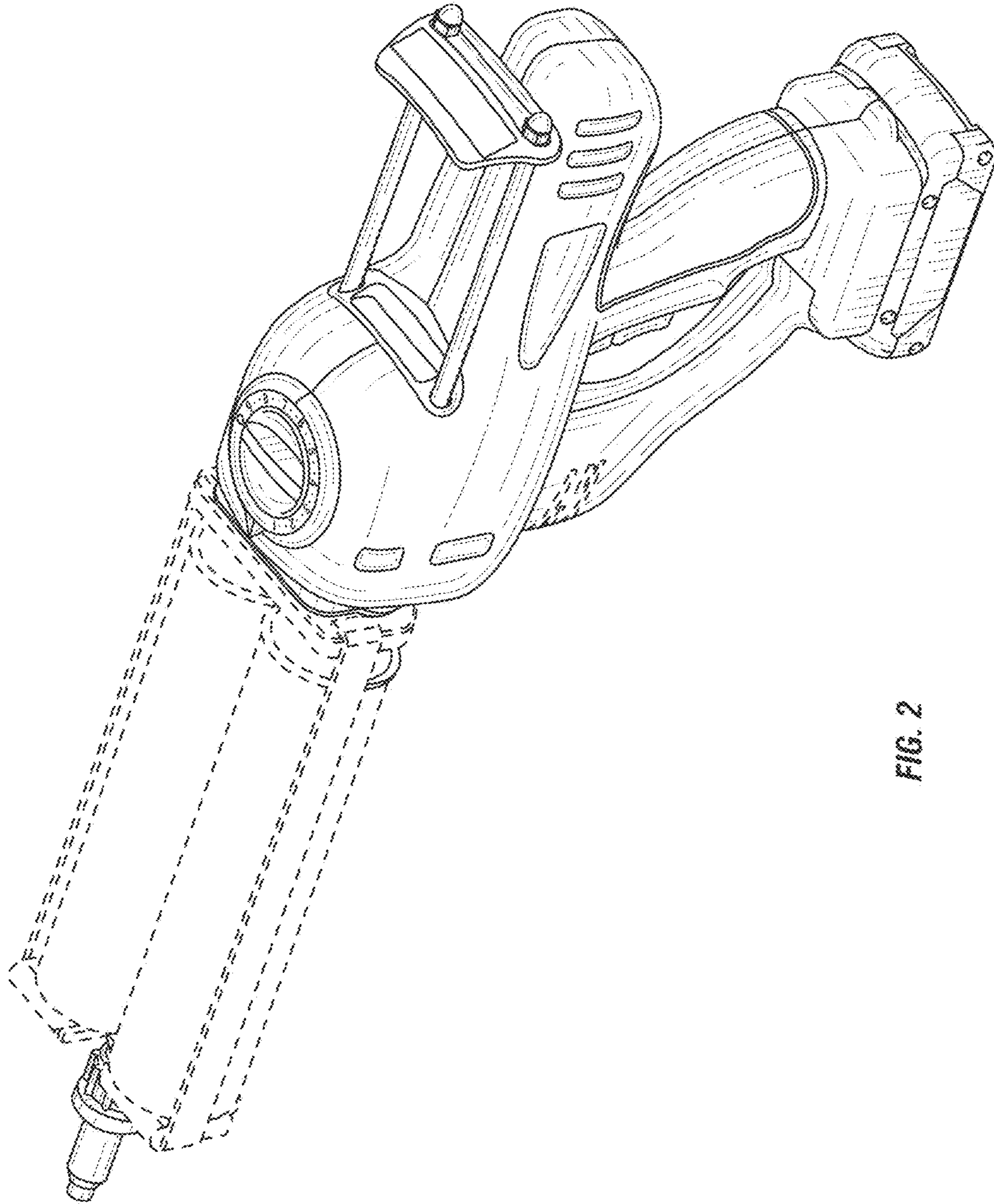


FIG. 2

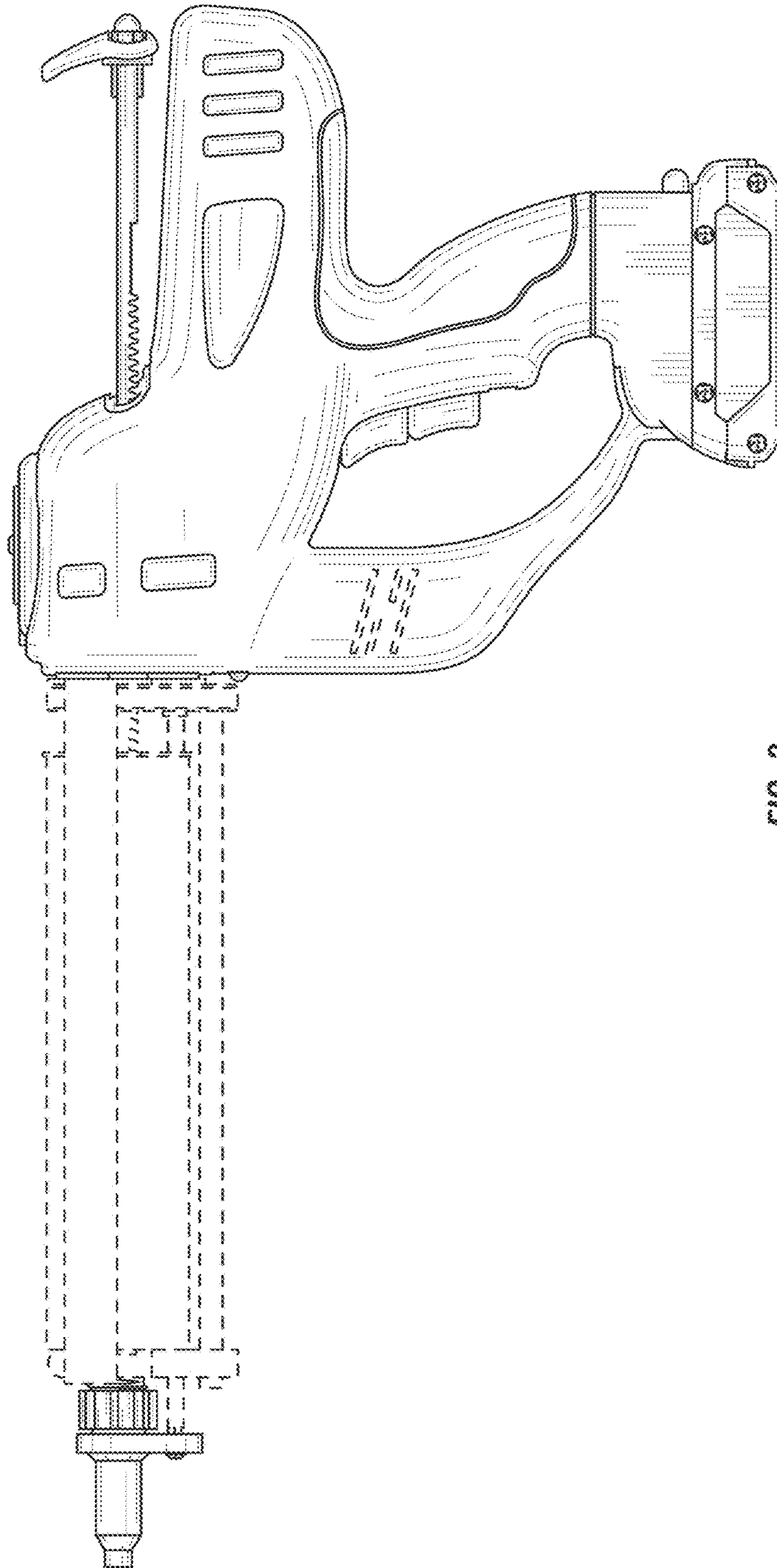
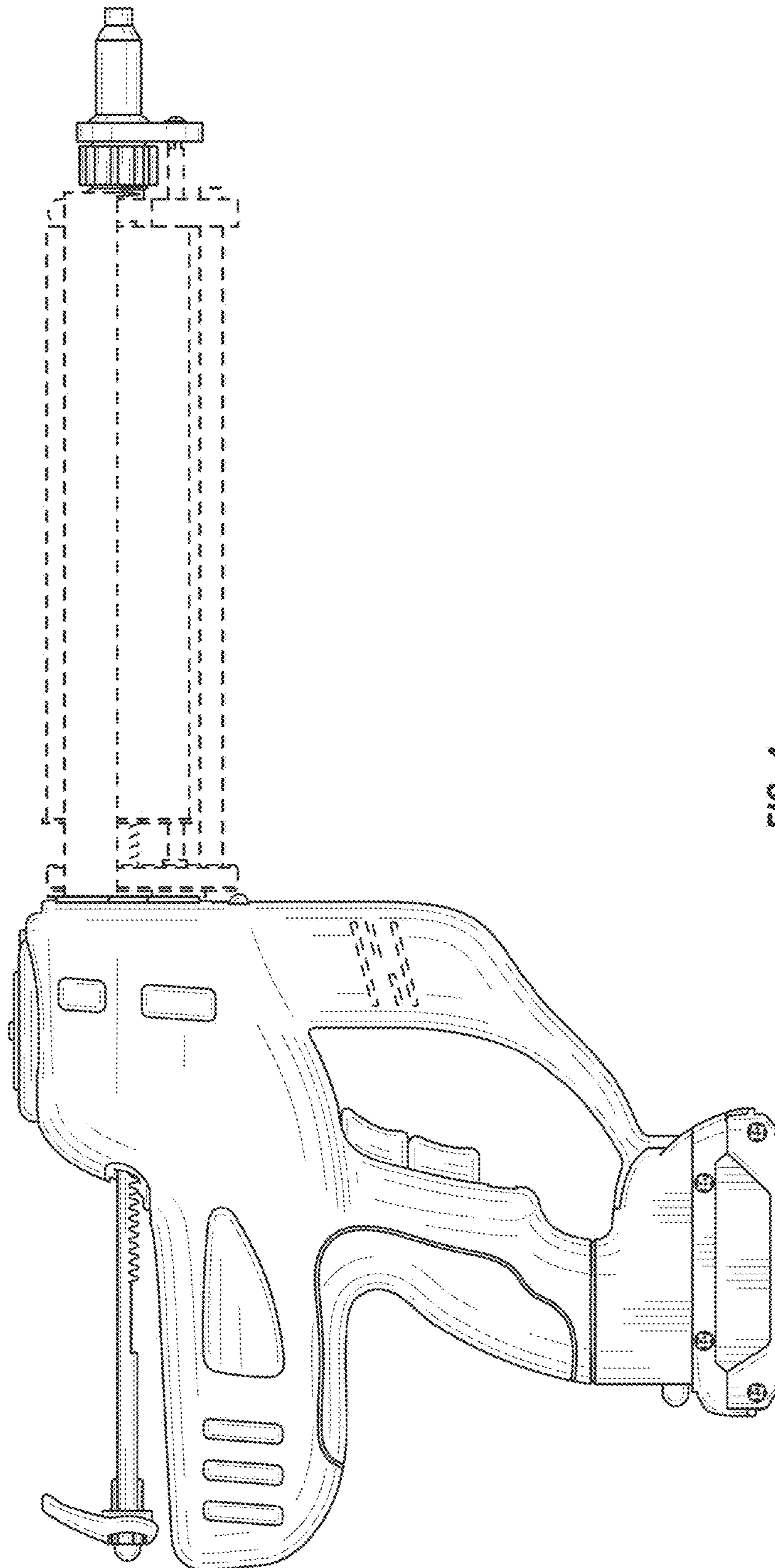


FIG. 3



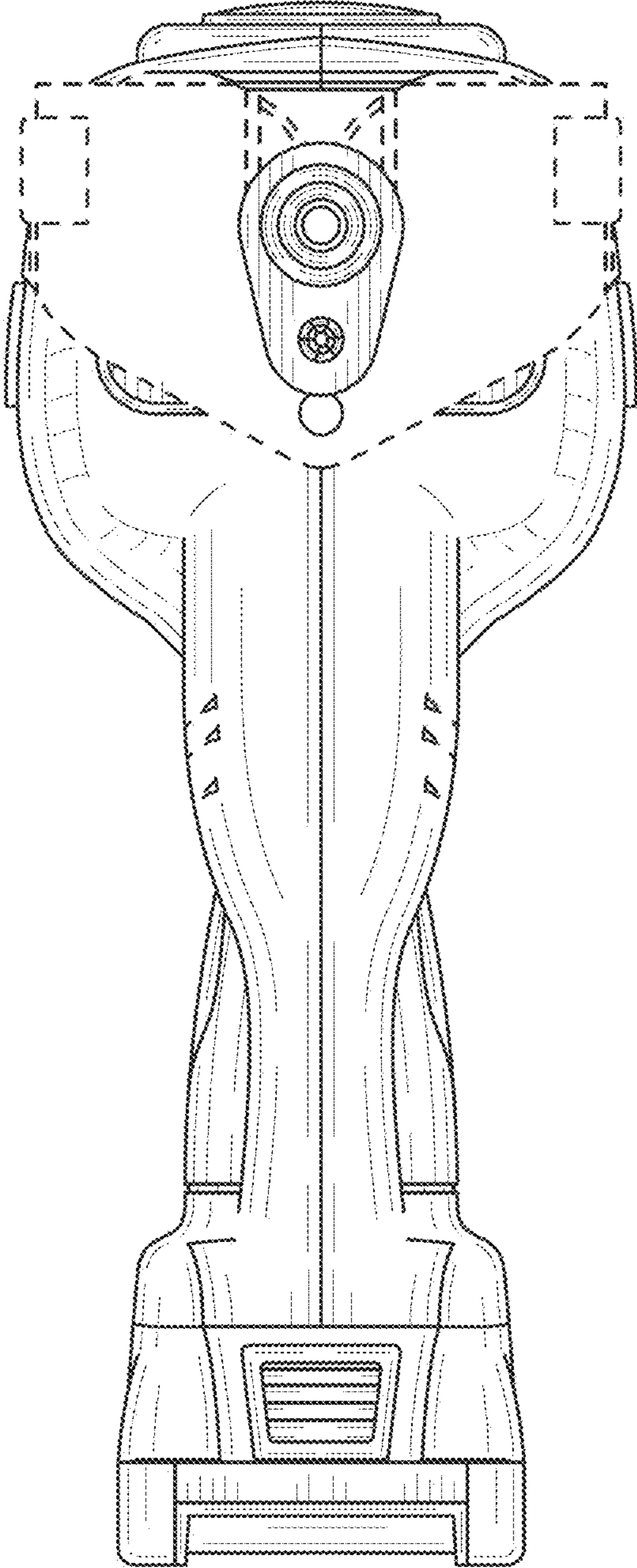


FIG. 5

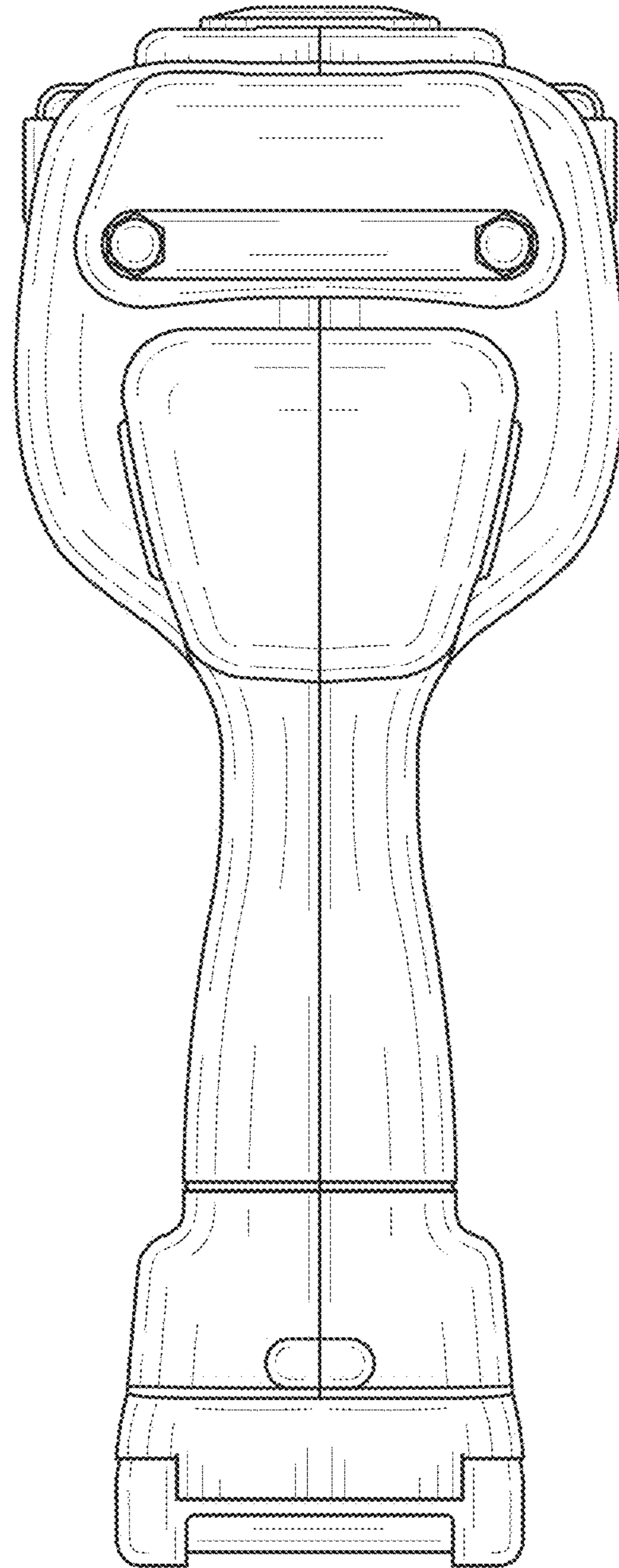


FIG. 6

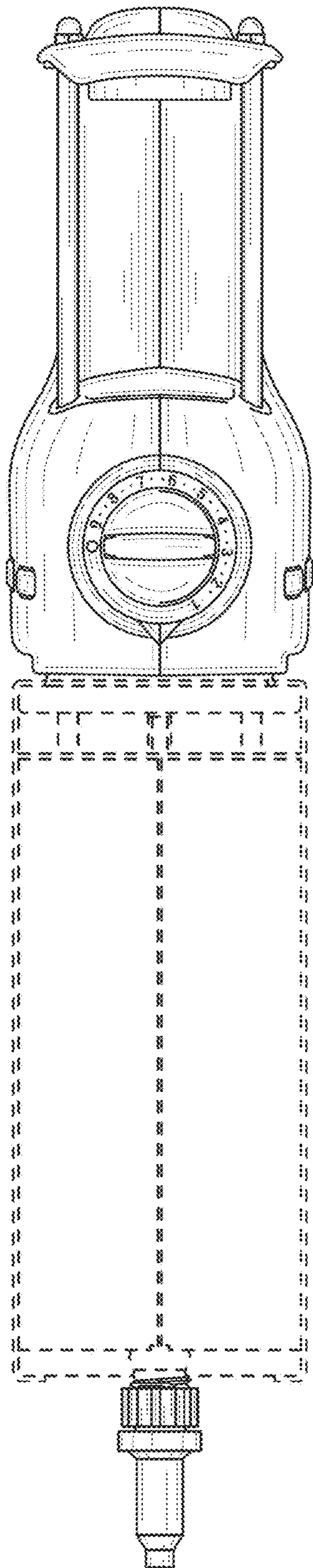


FIG. 7

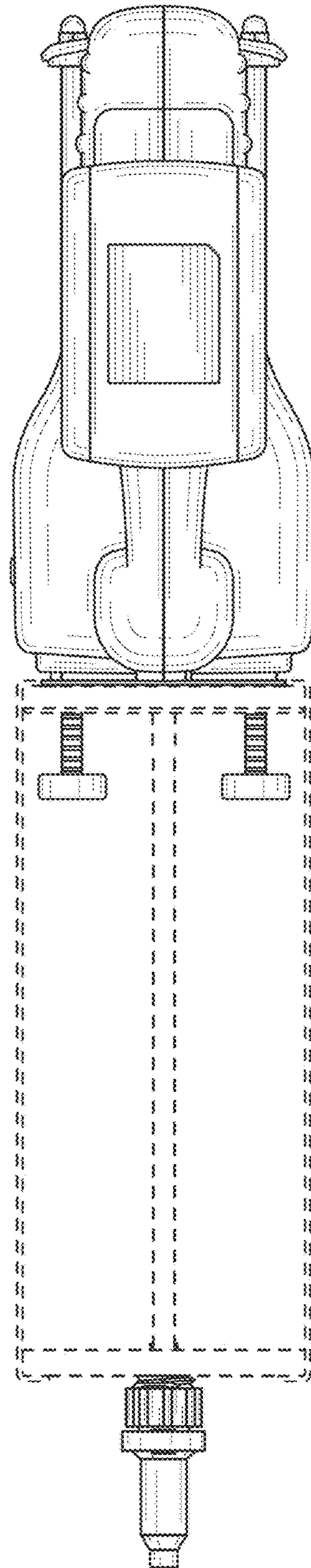


FIG. 8

UNITED STATES PATENT AND TRADEMARK OFFICE
CERTIFICATE OF CORRECTION

PATENT NO. : D817,137 S
APPLICATION NO. : 29/564453
DATED : May 8, 2018
INVENTOR(S) : Clifford Becket

Page 1 of 1

It is certified that error appears in the above-identified patent and that said Letters Patent is hereby corrected as shown below:

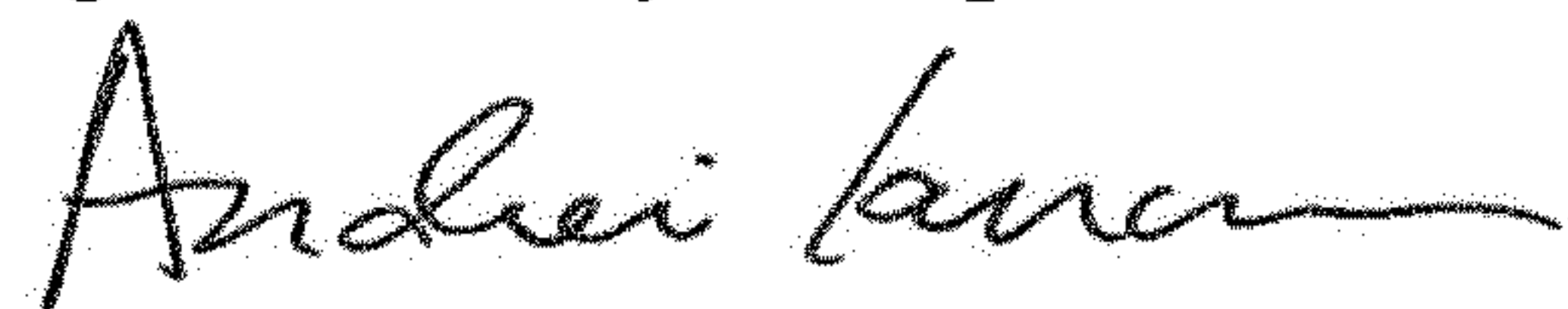
On the Title Page

The following is added:

(30) Foreign Application Priority Data

Nov. 16, 2015 (EU) 002861740-0002

Signed and Sealed this
Eighteenth Day of September, 2018



Andrei Iancu
Director of the United States Patent and Trademark Office