



US00D817136S

(12) **United States Design Patent** (10) **Patent No.:** **US D817,136 S**  
**Becket** (45) **Date of Patent:** **\*\* May 8, 2018**

(54) **DISPENSER FOR CARTRIDGES**  
(71) Applicant: **P.C. Cox Limited**, Newbury, Berkshire (GB)  
(72) Inventor: **Clifford Becket**, Thatcham (GB)  
(73) Assignee: **P.C. COX LIMITED**, Berkshire (GB)  
(\*\*) Term: **15 Years**  
(21) Appl. No.: **29/564,450**  
(22) Filed: **May 13, 2016**

(30) **Foreign Application Priority Data**  
Nov. 16, 2015 (EM) ..... 002861740-0001  
(51) **LOC (11) Cl.** ..... **08-05**  
(52) **U.S. Cl.**  
USPC ..... **D8/68; D8/14.1**  
(58) **Field of Classification Search**  
USPC ..... D8/14, 14.1, 29.1, 29.2, 30, 61, 68  
CPC ..... B05C 17/103; B05C 17/116; B05C 17/01  
See application file for complete search history.

(56) **References Cited**  
U.S. PATENT DOCUMENTS  
D258,797 S \* 4/1981 Davis, Jr. .... D8/14.1  
4,615,469 A \* 10/1986 Kishi ..... B05C 17/0103  
222/327  
D290,681 S \* 7/1987 Pudwill ..... D8/14.1  
D328,555 S \* 8/1992 Keller ..... D8/14.1  
D343,103 S \* 1/1994 Bunce ..... D8/14.1  
D348,811 S \* 7/1994 Albers ..... D8/14.1  
5,762,239 A \* 6/1998 Cossette ..... B05C 17/0103  
222/326  
D510,242 S \* 10/2005 Chen ..... D8/14.1  
D545,152 S \* 6/2007 Lopano ..... D8/14.1  
D548,551 S \* 8/2007 Lopano ..... D8/14.1  
D573,425 S \* 7/2008 Post ..... D8/14.1

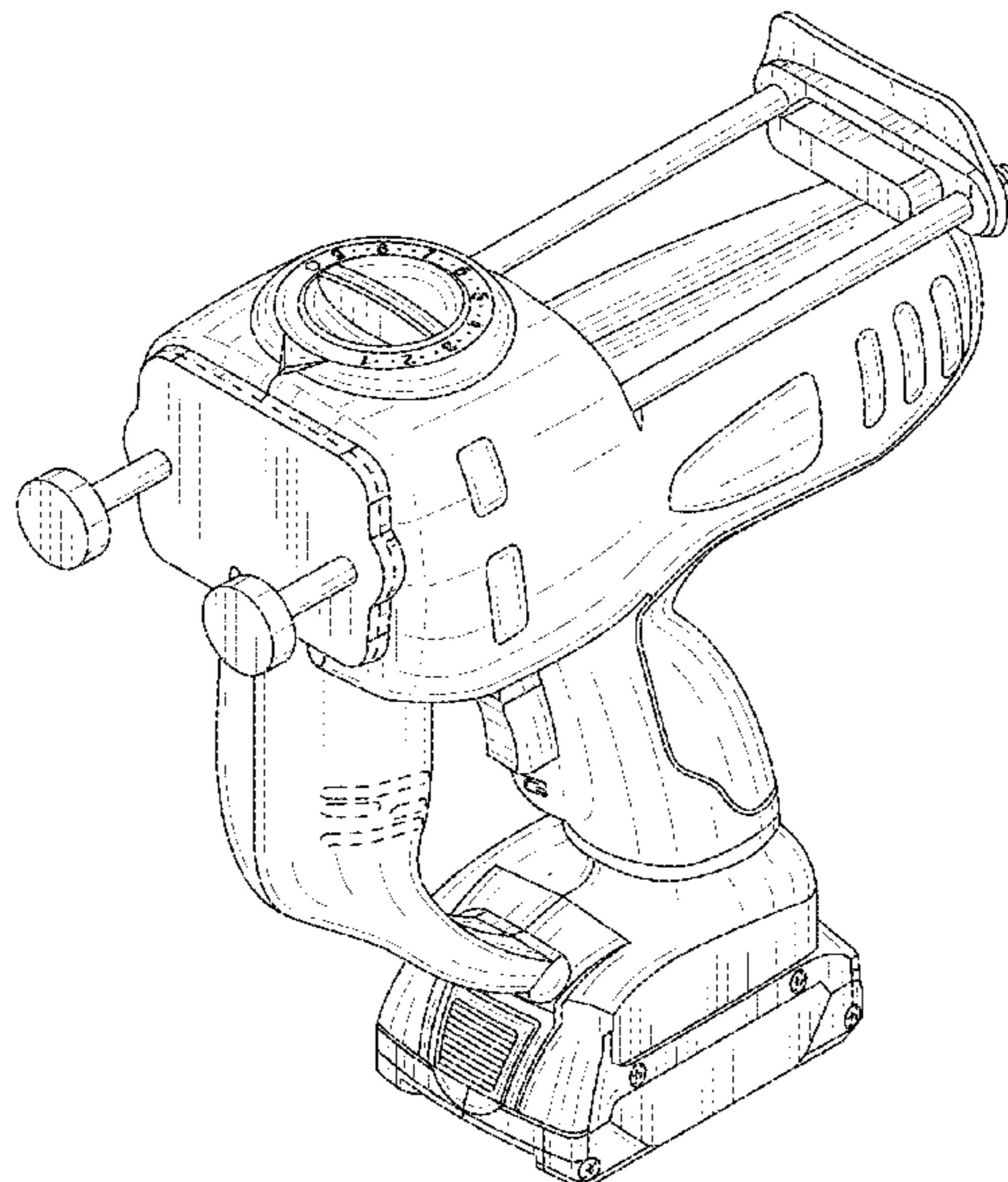
D590,673 S \* 4/2009 Guo ..... D8/14.1  
D603,668 S \* 11/2009 Gullicks ..... D8/14.1  
7,637,392 B2 \* 12/2009 Hsu ..... B05C 17/0103  
222/137  
D635,835 S \* 4/2011 Post ..... D8/14.1  
D639,127 S \* 6/2011 Noniewicz ..... D8/14.1  
D660,105 S \* 5/2012 Brummitt ..... D8/14.1  
D660,663 S \* 5/2012 Brummitt ..... D8/14.1  
D687,273 S \* 8/2013 Breitenmoser ..... D8/14.1  
8,528,785 B2 \* 9/2013 Naughton ..... B05C 17/00553  
222/137  
8,573,450 B2 \* 11/2013 Hsu ..... B05C 17/0103  
222/333  
D719,424 S \* 12/2014 Okuda ..... D8/14.1  
(Continued)

*Primary Examiner* — Darlington Ly  
(74) *Attorney, Agent, or Firm* — Global IP Counselors, LLP

(57) **CLAIM**  
The ornamental design for a dispenser for cartridges, as shown and described.

**DESCRIPTION**  
FIG. 1 is a top, front, and right side perspective view of a dispenser for cartridges showing my new design;  
FIG. 2 is a bottom, front, and right side perspective view thereof;  
FIG. 3 is a right side elevation view thereof;  
FIG. 4 is a left side elevation view thereof;  
FIG. 5 is a front elevation view thereof;  
FIG. 6 is a rear elevation view thereof;  
FIG. 7 is a top plan view thereof;  
FIG. 8 is a bottom plan view thereof; and,  
FIG. 9 is top, rear, and right side perspective view thereof with a cartridge support structure attached to the front.  
The broken line showing portions of the dispenser and cartridge support structure in the drawings do not form part of the claimed design.

**1 Claim, 8 Drawing Sheets**



(56)

**References Cited**

U.S. PATENT DOCUMENTS

D722,480 S \* 2/2015 Zhu ..... D8/14.1  
D725,978 S \* 4/2015 Uematsu ..... D8/14.1  
D751,875 S \* 3/2016 Eckstein ..... D8/14.1  
D751,876 S \* 3/2016 Herman ..... D8/14.1  
2012/0318826 A1\* 12/2012 Naughton ..... B05C 17/01  
222/327  
2013/0043281 A1\* 2/2013 Hsu ..... B05C 17/0103  
222/333  
2013/0233893 A1\* 9/2013 Kimura ..... B05C 17/0103  
222/333  
2013/0270302 A1\* 10/2013 Hsu ..... B05B 12/002  
222/333

\* cited by examiner

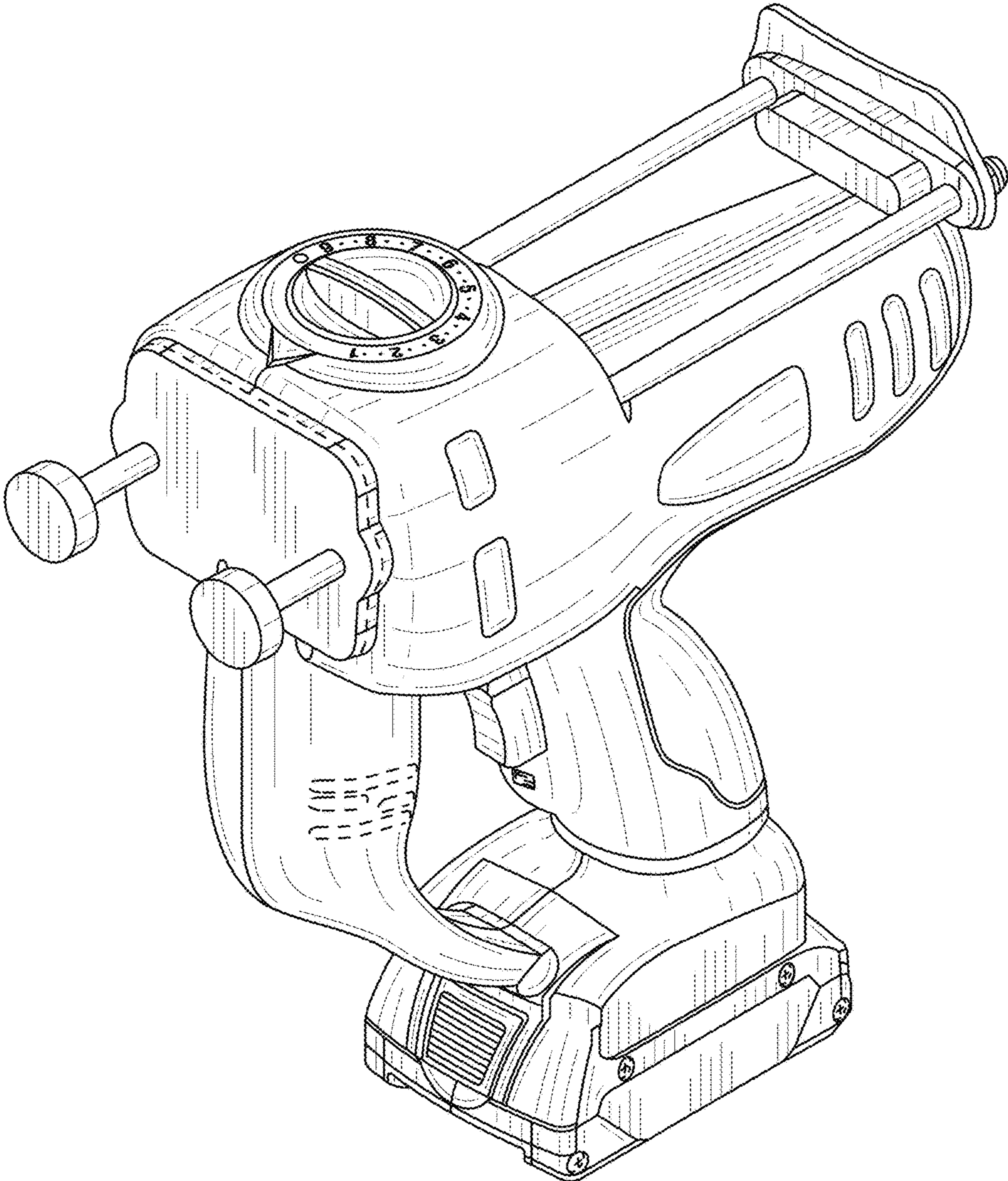


FIG. 1

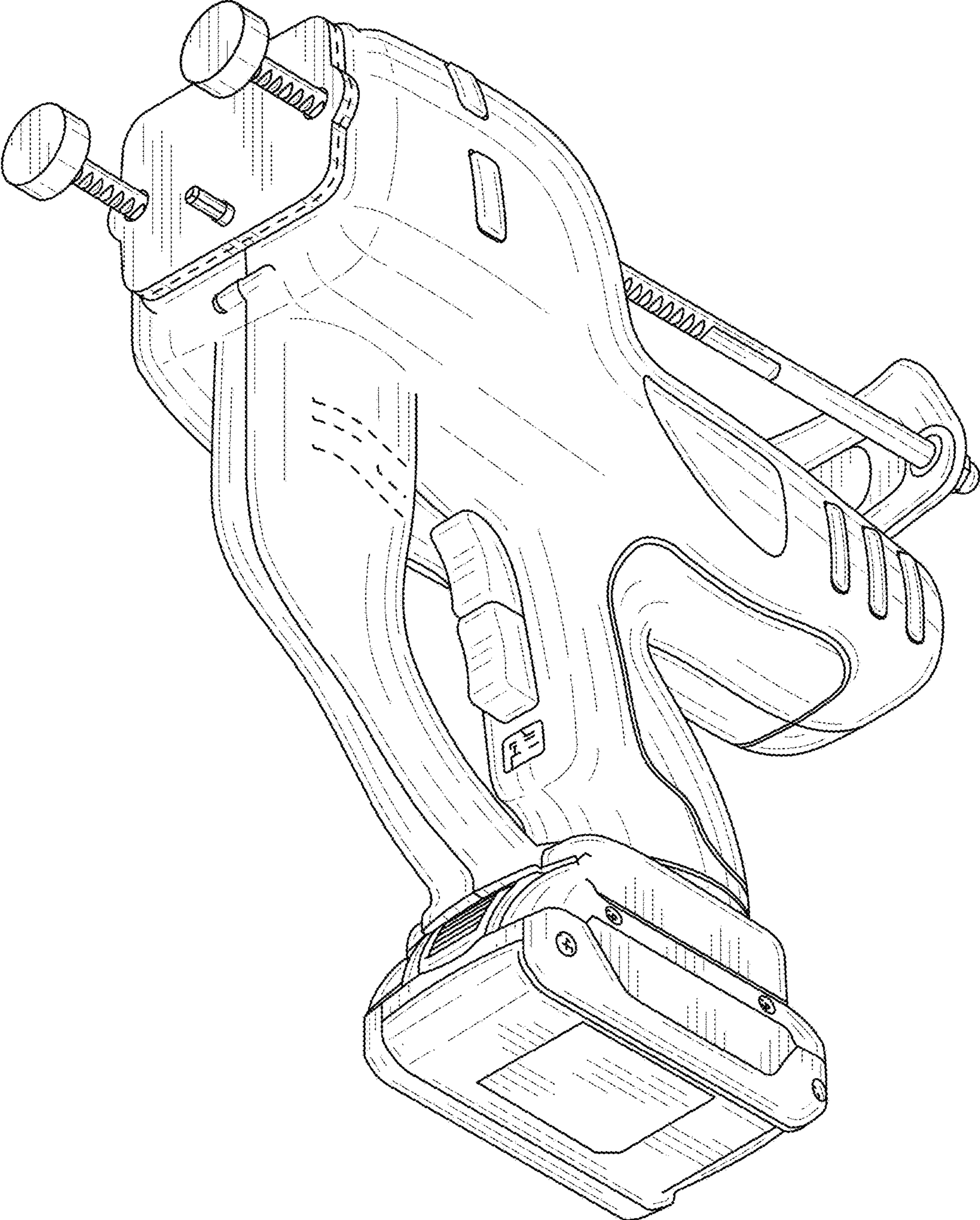


FIG. 2

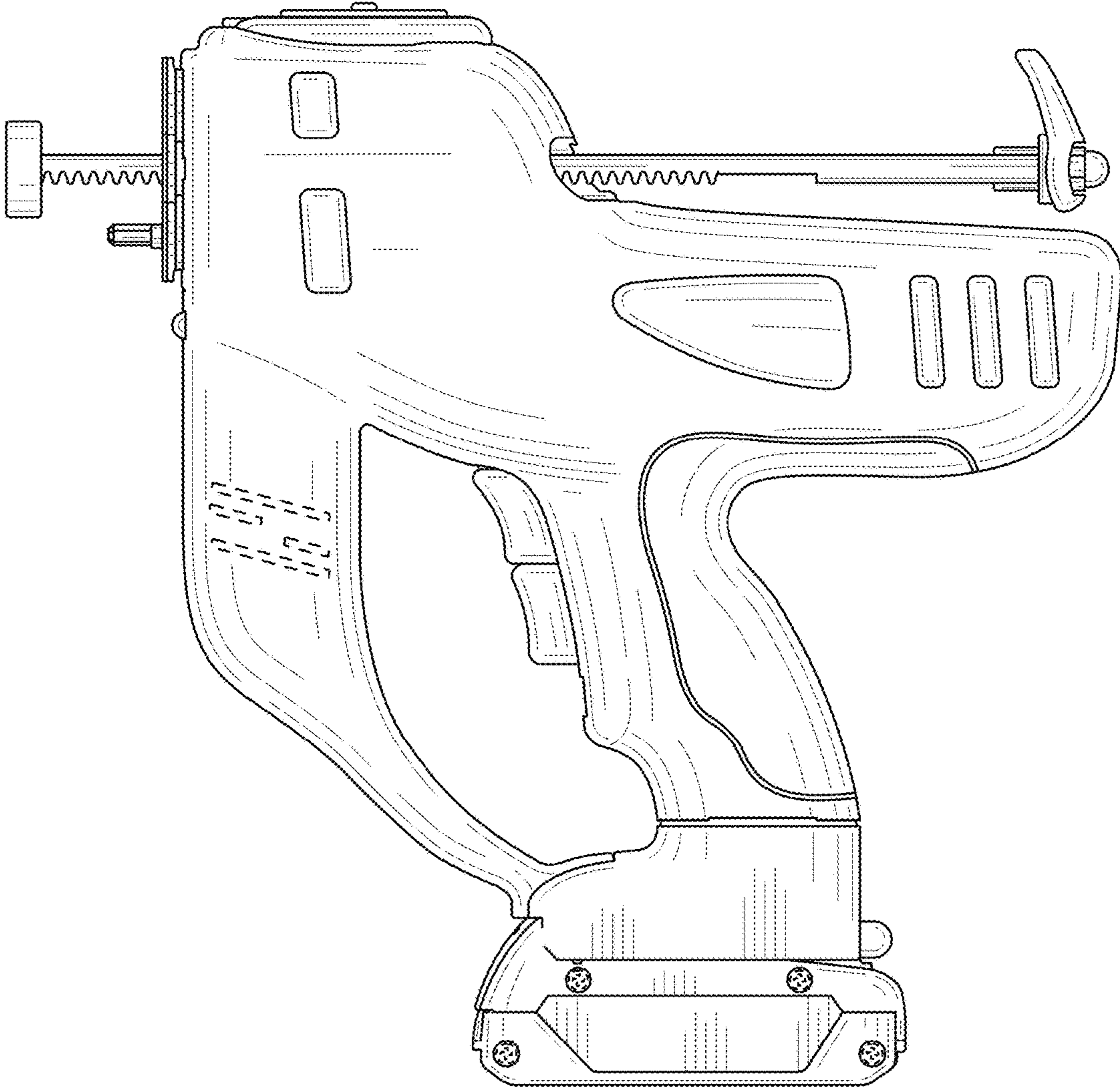


FIG. 3

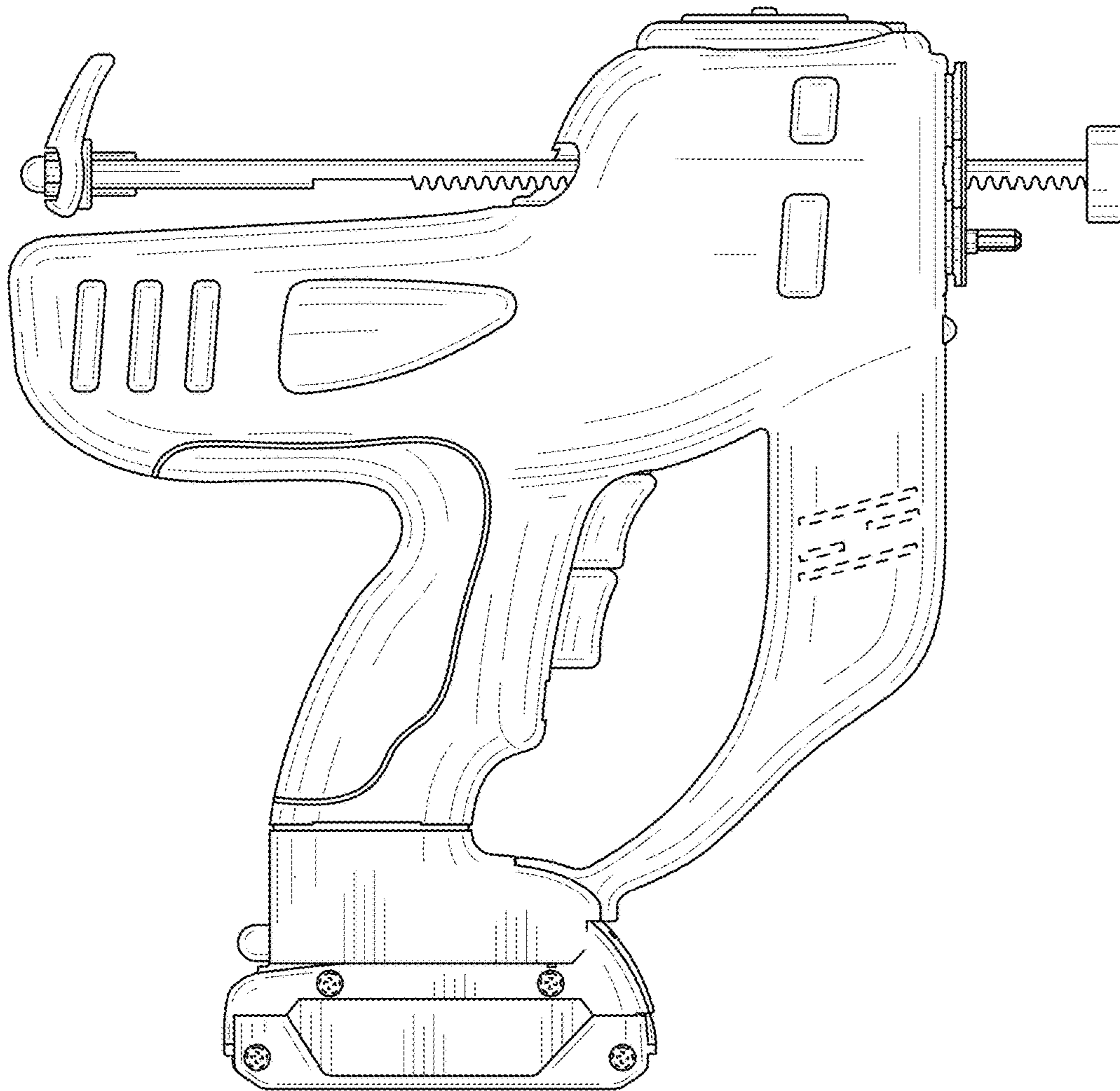
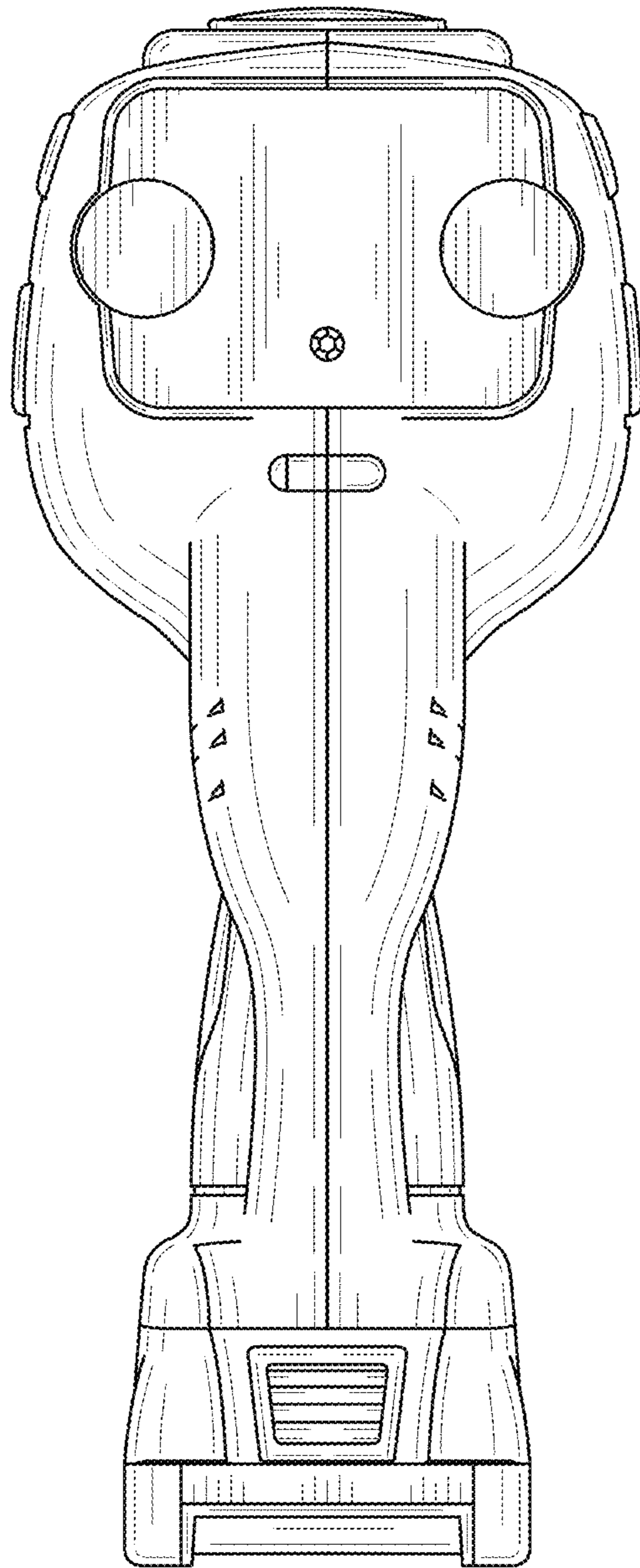
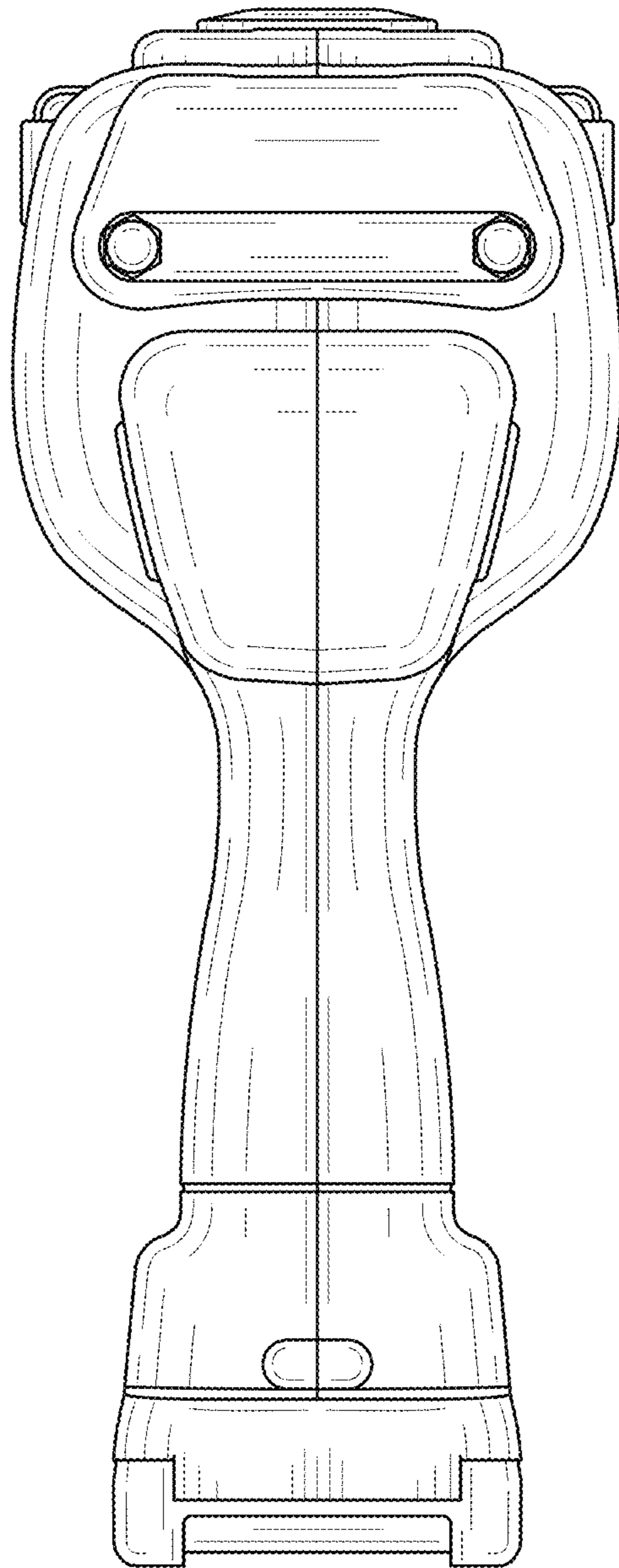


FIG. 4



**FIG. 5**



**FIG. 6**



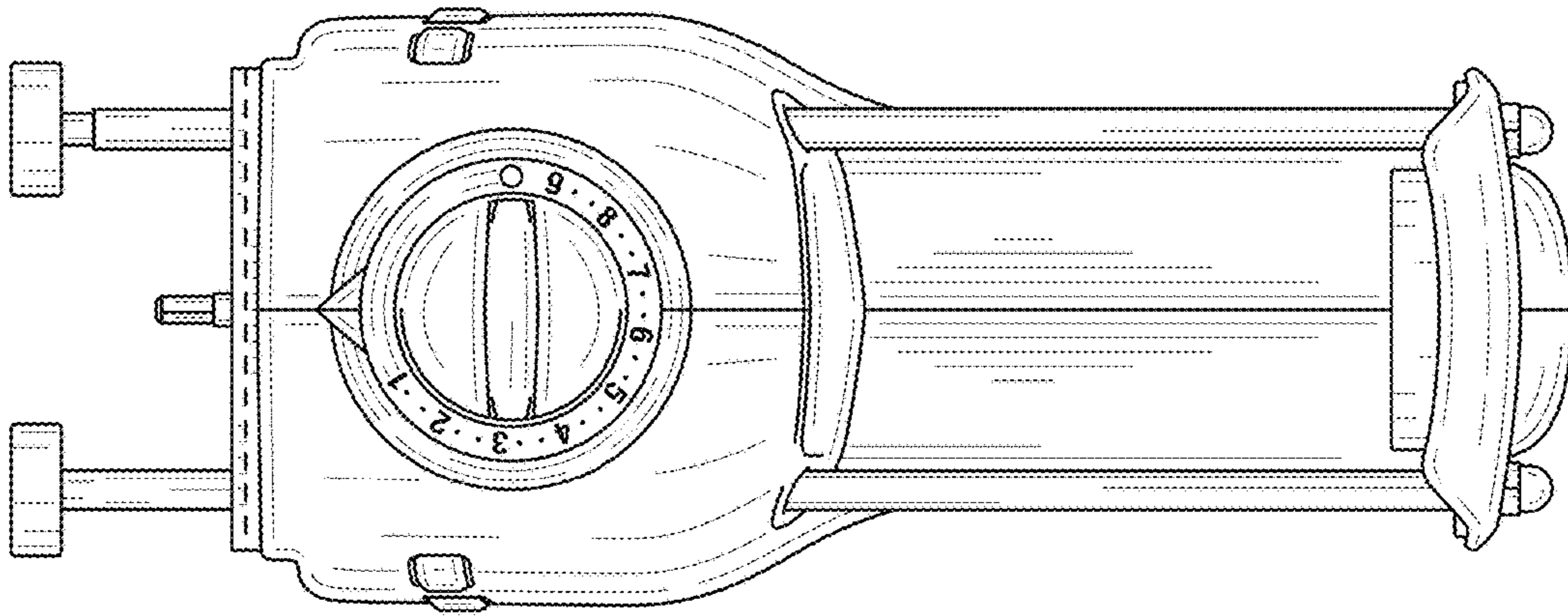


FIG. 7

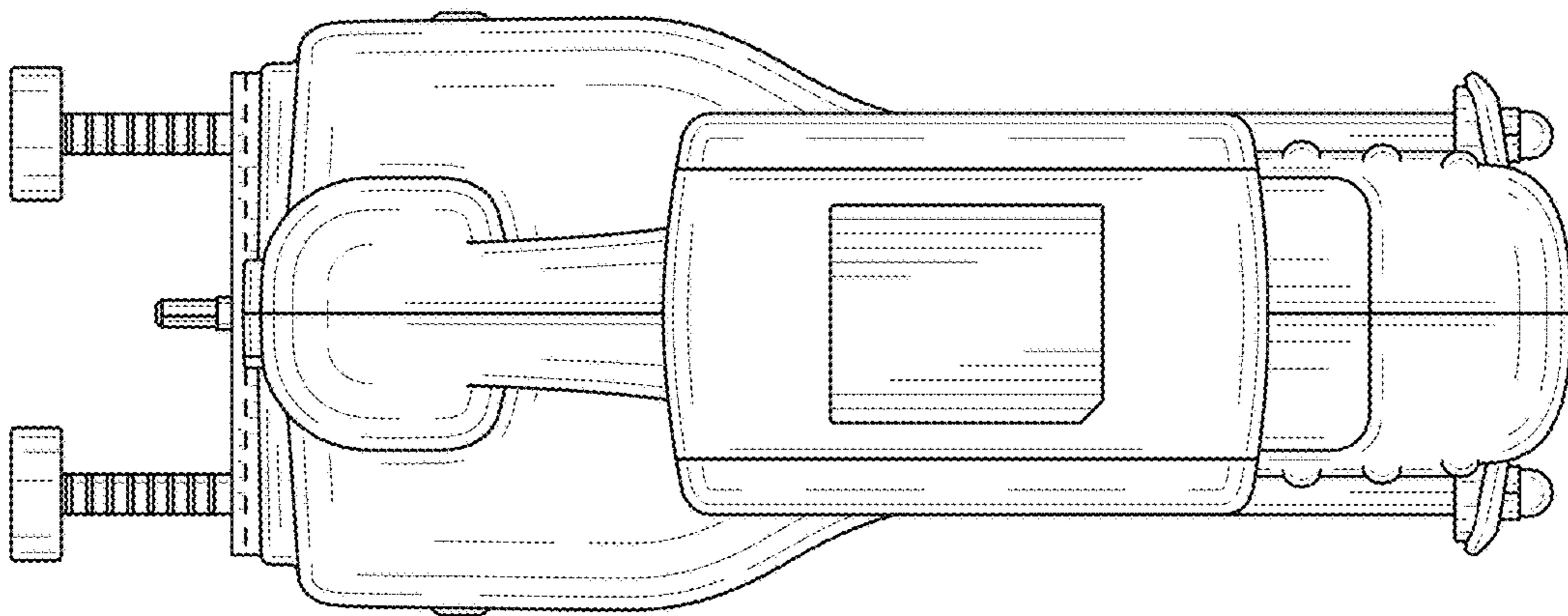


FIG. 8

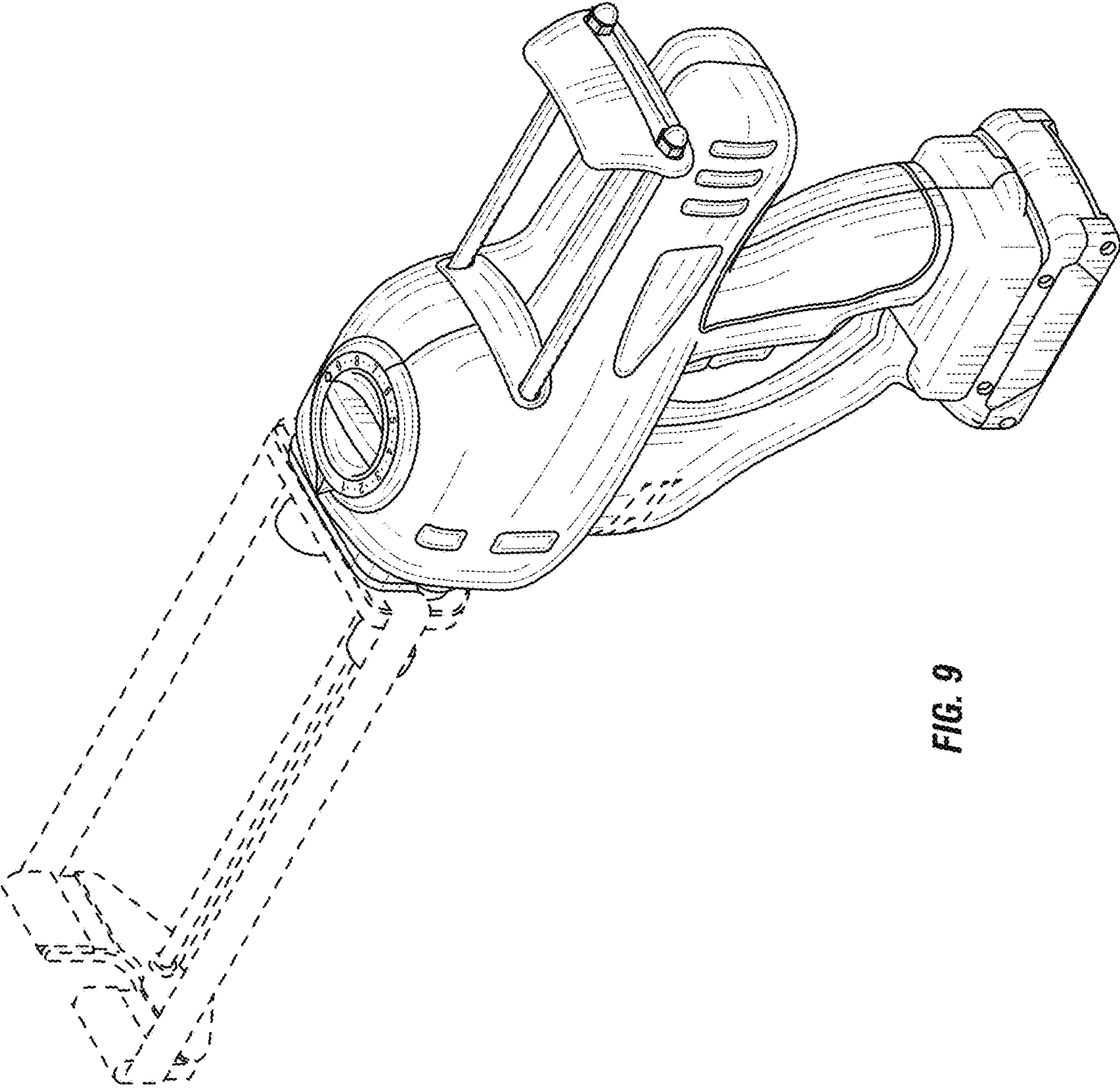


FIG. 9