



US00D817133S

(12) **United States Design Patent**
Milligan

(10) **Patent No.:** **US D817,133 S**
(45) **Date of Patent:** **** May 8, 2018**

(54) **SPHERICAL GUIDE TIP SCISSORS**

(71) Applicant: **Donald Jason Milligan**, Martin, TN (US)

(72) Inventor: **Donald Jason Milligan**, Martin, TN (US)

(73) Assignee: **Donald Jason Milligan**, Martin, TN (US)

(**) Term: **15 Years**

(21) Appl. No.: **29/583,482**

(22) Filed: **Nov. 4, 2016**

(51) **LOC (11) Cl.** **08-03**

(52) **U.S. Cl.**
USPC **D8/57**

(58) **Field of Classification Search**
USPC D8/51-5, 38, 100, 103, 107, 324, 335,
D8/348, 351, 365

(Continued)

(56) **References Cited**

U.S. PATENT DOCUMENTS

2,525,450 A * 10/1950 D Amato B26B 13/00
30/233

D185,655 S * 7/1959 Barczak D24/143
(Continued)

Primary Examiner — Deanna L Pratt

(57) **CLAIM**

The ornamental design for spherical guide tips scissors, as shown and described.

DESCRIPTION

FIG. 1 is a perspective view of my new design for spherical guide tip scissors shown in a closed position;

FIG. 2 is a perspective view of my new design for spherical guide tip scissors shown in an open position;

FIG. 3 is a right side elevation view of my new design for spherical guide tip scissors shown in a closed position;

FIG. 4 is a left side elevation view of my new design for spherical guide tip scissors shown in a closed position;

FIG. 5 is a front top elevation view of my new design for spherical guide tip scissors shown in a closed position;

FIG. 6 is a front bottom elevation view of my new design for spherical guide tip scissors shown in a closed position;

FIG. 7 is a top plan view of my new design for spherical guide tip scissors shown in a closed position;

FIG. 8 is a bottom plan view of my new design for spherical guide tip scissors shown in a closed position;

FIG. 9 is an enlarged partial perspective view of my new design for spherical guide tip scissors shown in a closed position;

FIG. 10 is an enlarged partial perspective view of my new design for spherical guide tip scissors shown in an open position;

FIG. 11 is an enlarged partial right side view of my new design for spherical guide tip scissors shown in an closed position;

FIG. 12 is an enlarged partial left side view of my new design for spherical guide tip scissors shown in an closed position;

FIG. 13 is an enlarged partial top plan view of my new design for spherical guide tip scissors shown in an closed position;

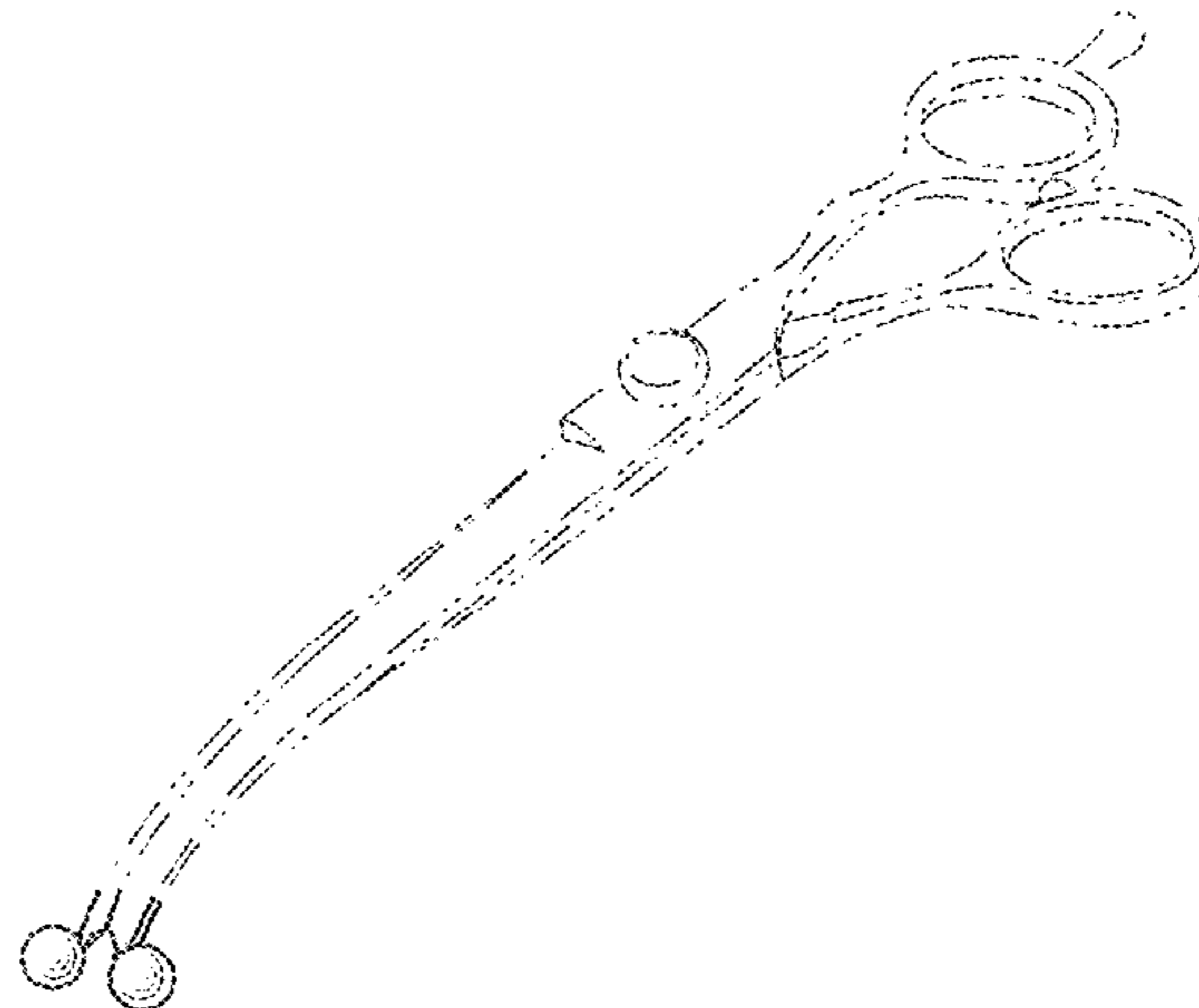
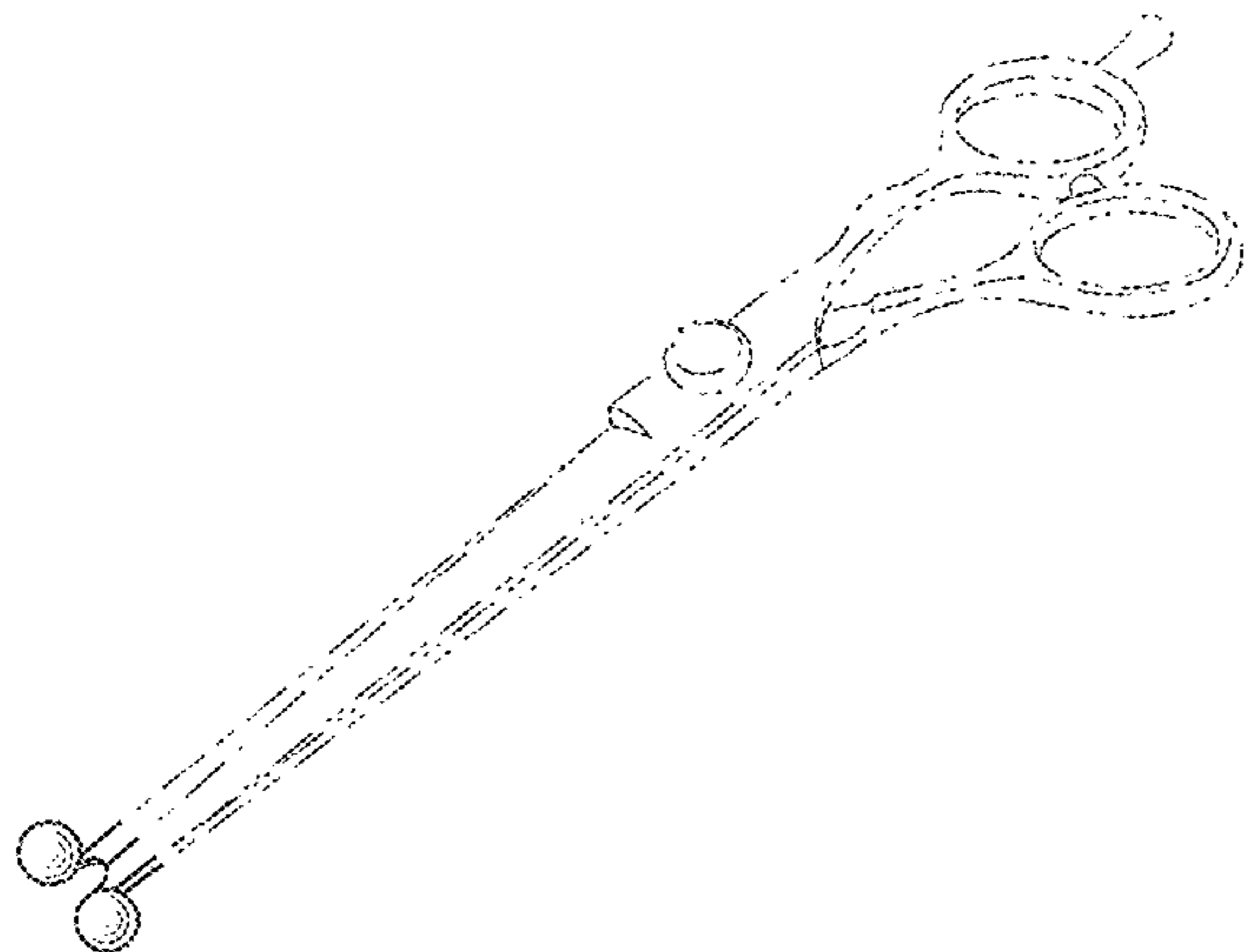
FIG. 14 is an enlarged partial bottom plan view of my new design for spherical guide tip scissors shown in an closed position;

FIG. 15 is another top plan view of my new design for spherical guide tip scissors shown in a closed position, and shown with alternative unclaimed subject matter as being applied to a thinning scissors;

FIG. 16 is another top plan view of my new design for spherical guide tip scissors shown in an open position, and shown with alternative unclaimed subject matter as being applied to a removable blade scissors; and,

FIG. 17 is another perspective view of my new design for spherical guide tip scissors shown in a closed position, and shown with alternative unclaimed subject matter as being applied to a curved blade scissors.

(Continued)



The broken lines illustrate portions of the spherical guide tip scissors that form no part of the claimed design.

1 Claim, 9 Drawing Sheets

(58) Field of Classification Search

CPC B26B 13/10; B26B 13/20; B26B 13/12;
B26B 13/06; B26B 13/04

See application file for complete search history.

(56) References Cited

U.S. PATENT DOCUMENTS

3,844,013	A *	10/1974	Hall, Jr.	B25B 7/02 29/764
D372,783	S *	8/1996	Rollert	D24/149
D458,100	S *	6/2002	Bowers	D8/52
D613,141	S *	4/2010	Wang	D8/57
D711,712	S *	8/2014	Newcomb	D8/57
D753,973	S *	4/2016	Shin	D8/57
2015/0033563	A1 *	2/2015	Kim	B26B 13/06 30/258

* cited by examiner

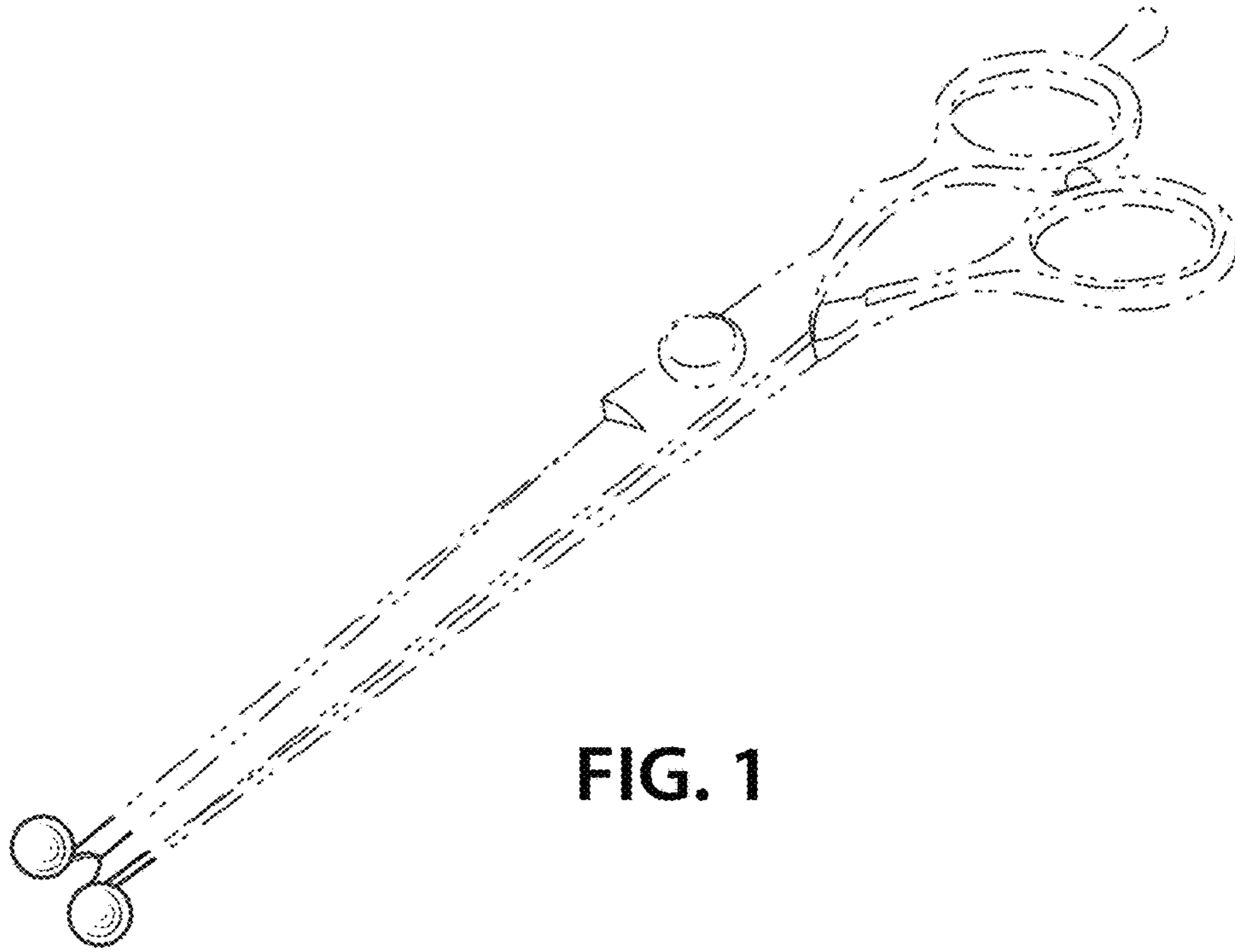


FIG. 1

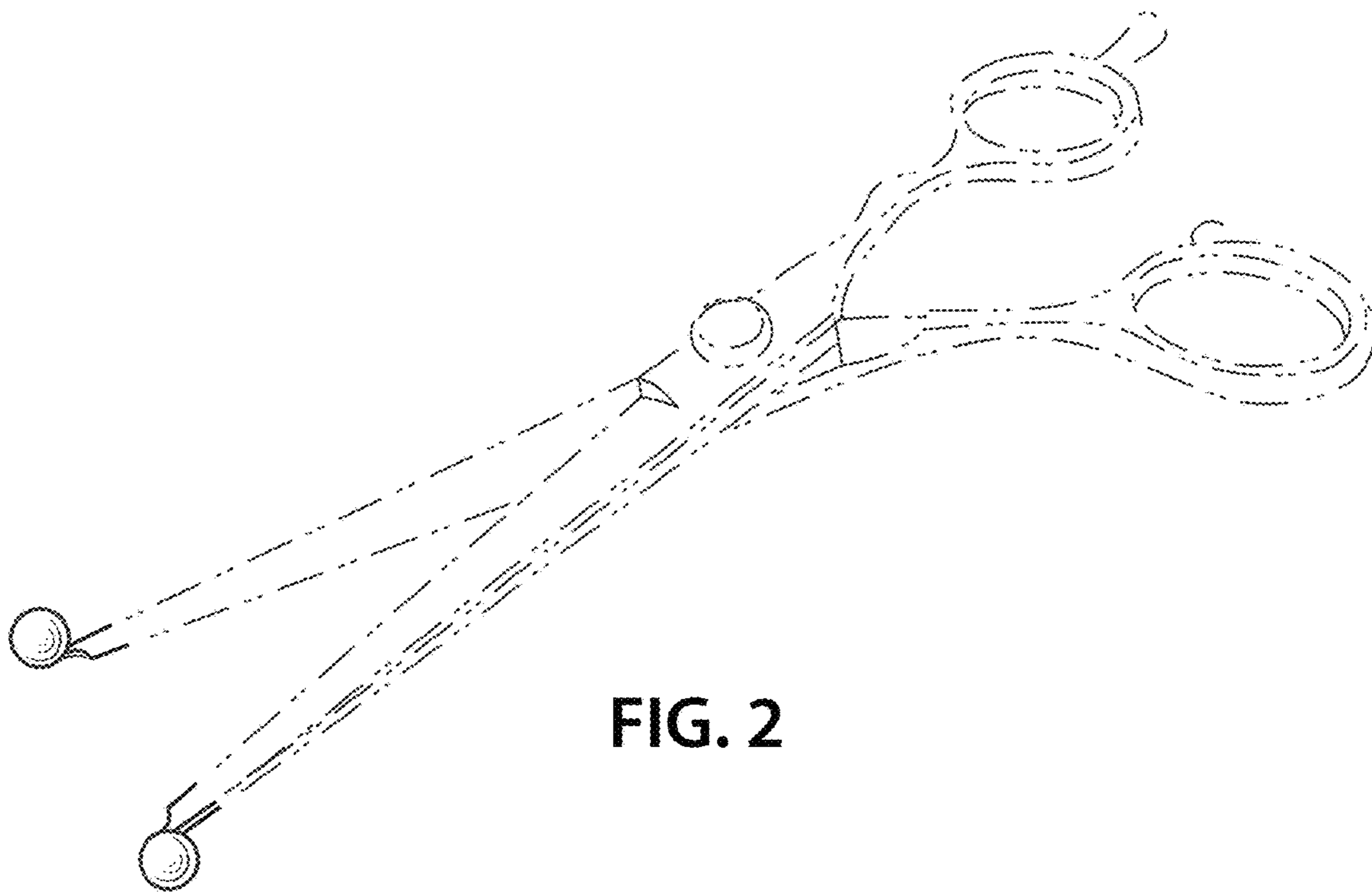


FIG. 2

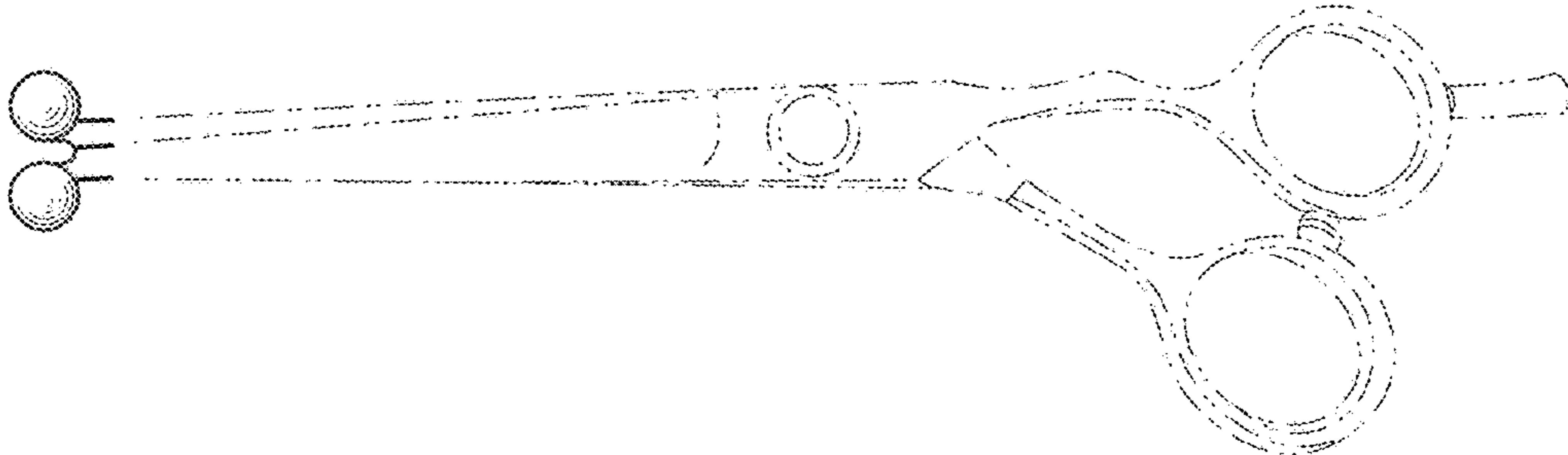


FIG. 3

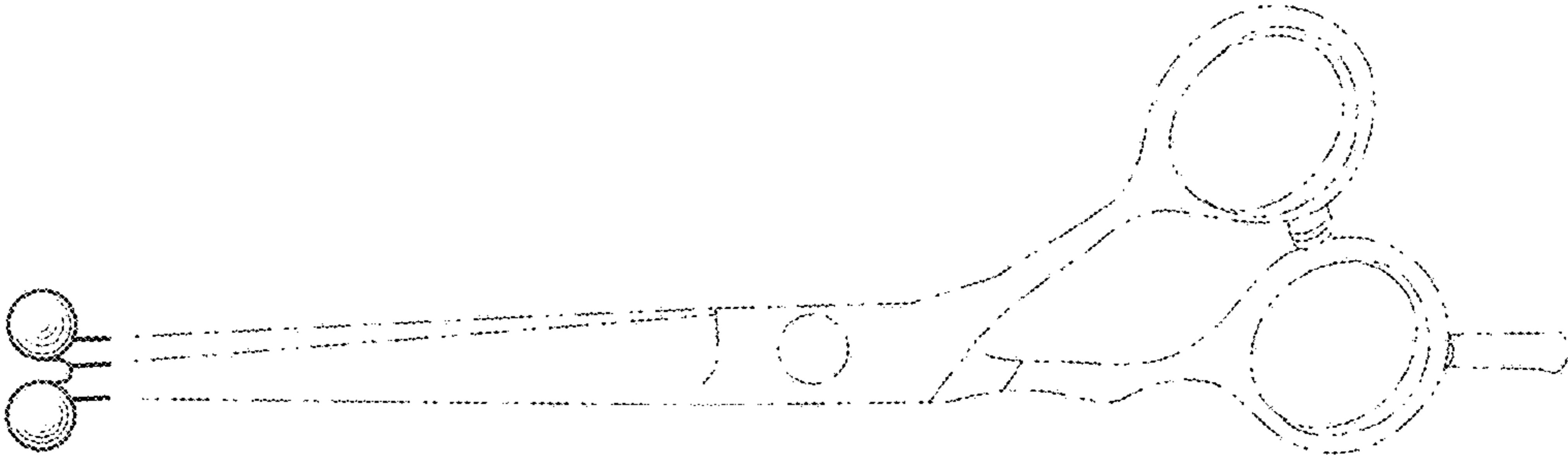


FIG. 4

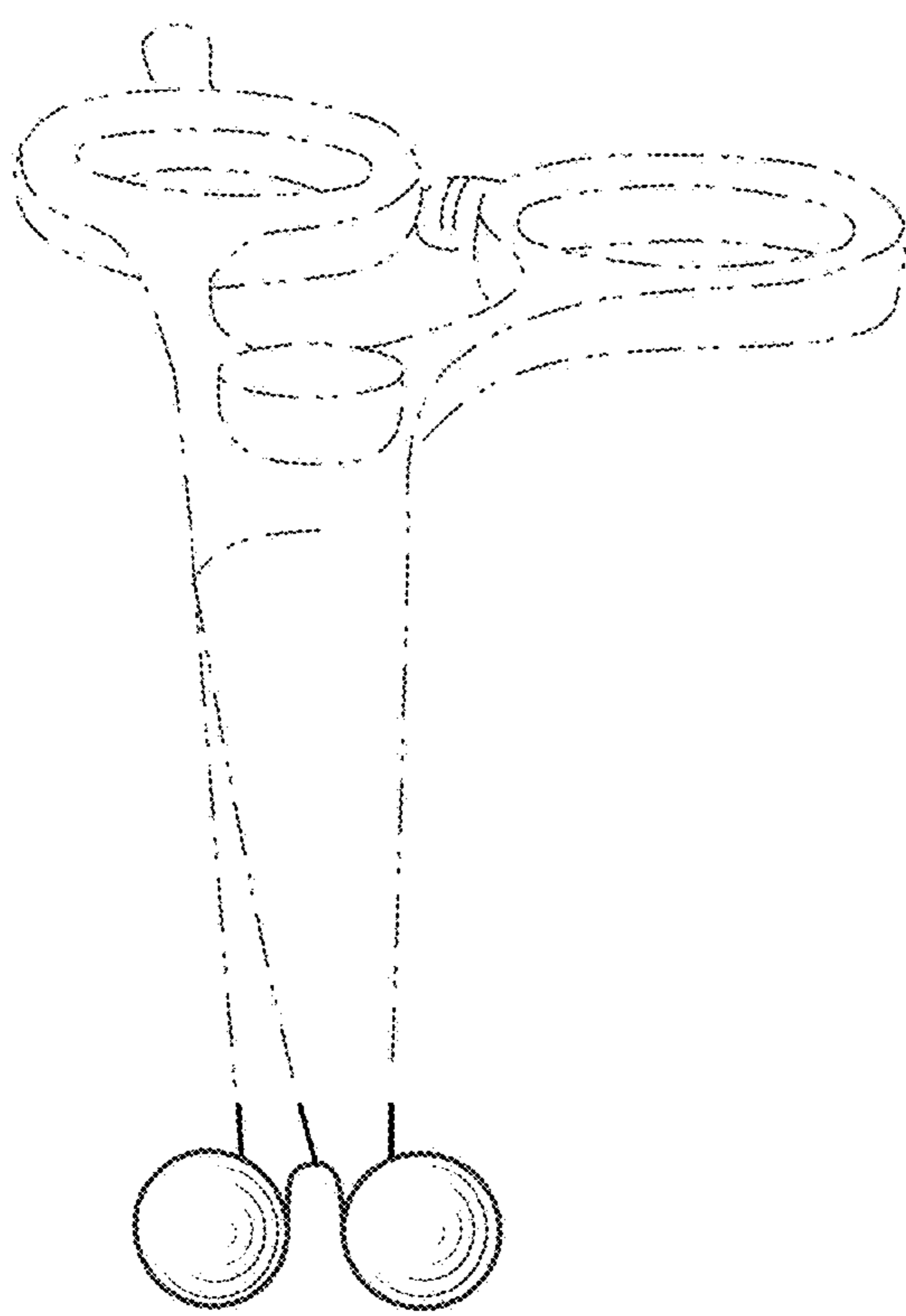


FIG. 5

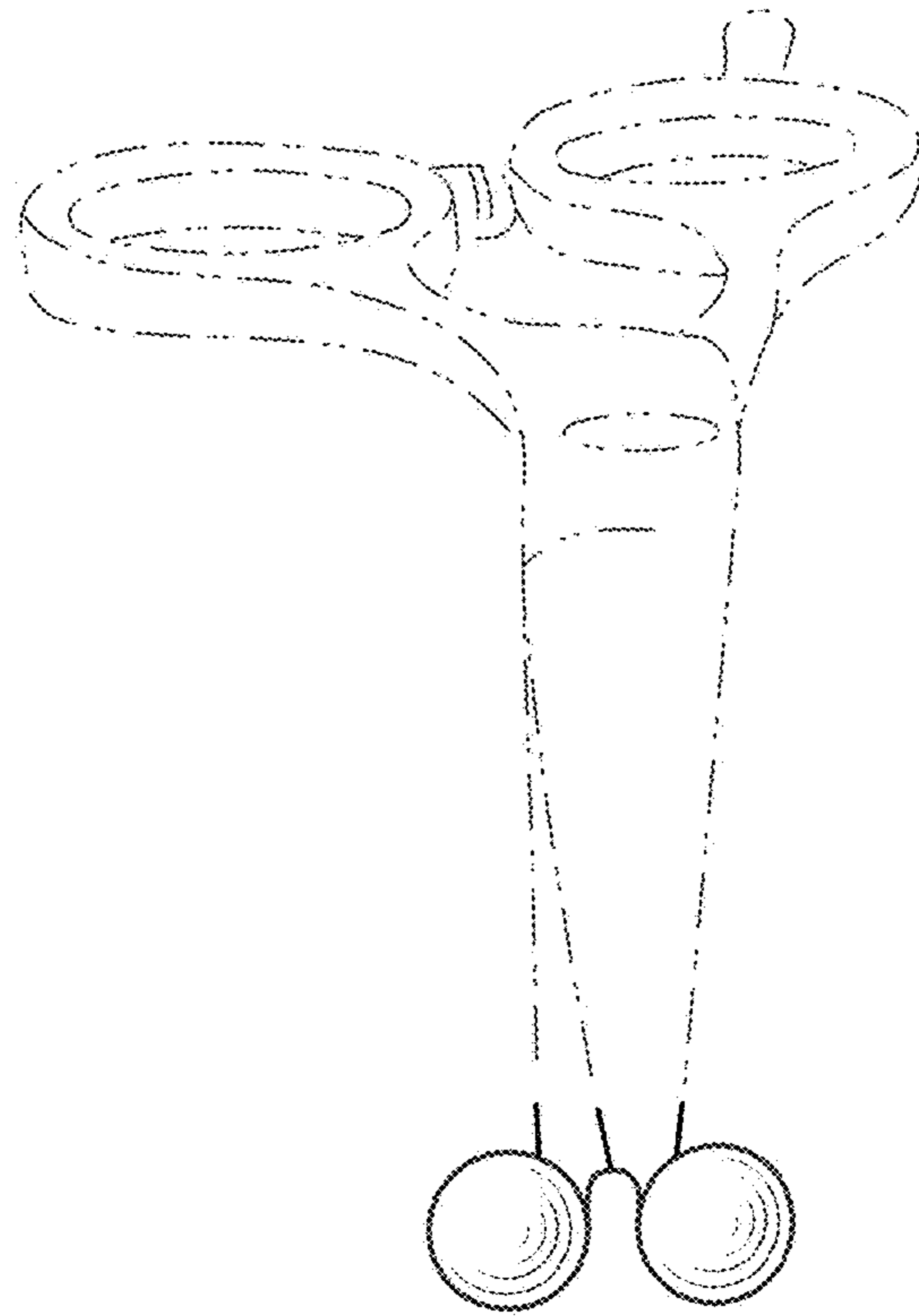


FIG. 6

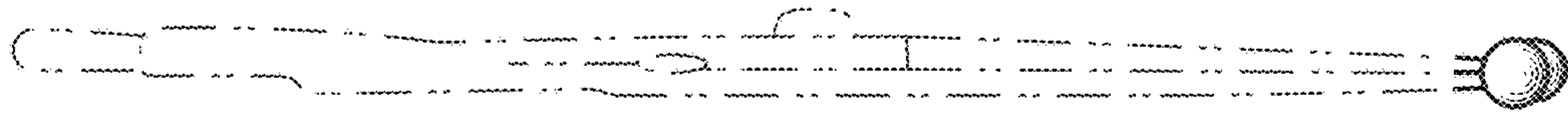


FIG. 7

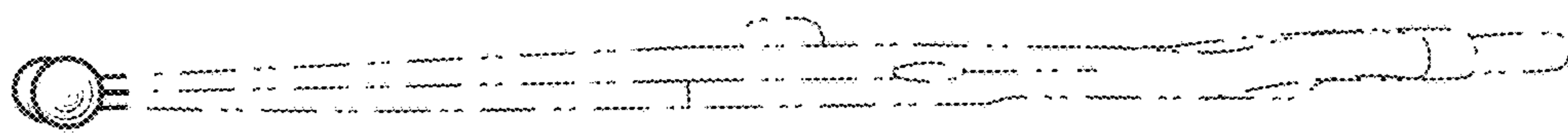


FIG. 8

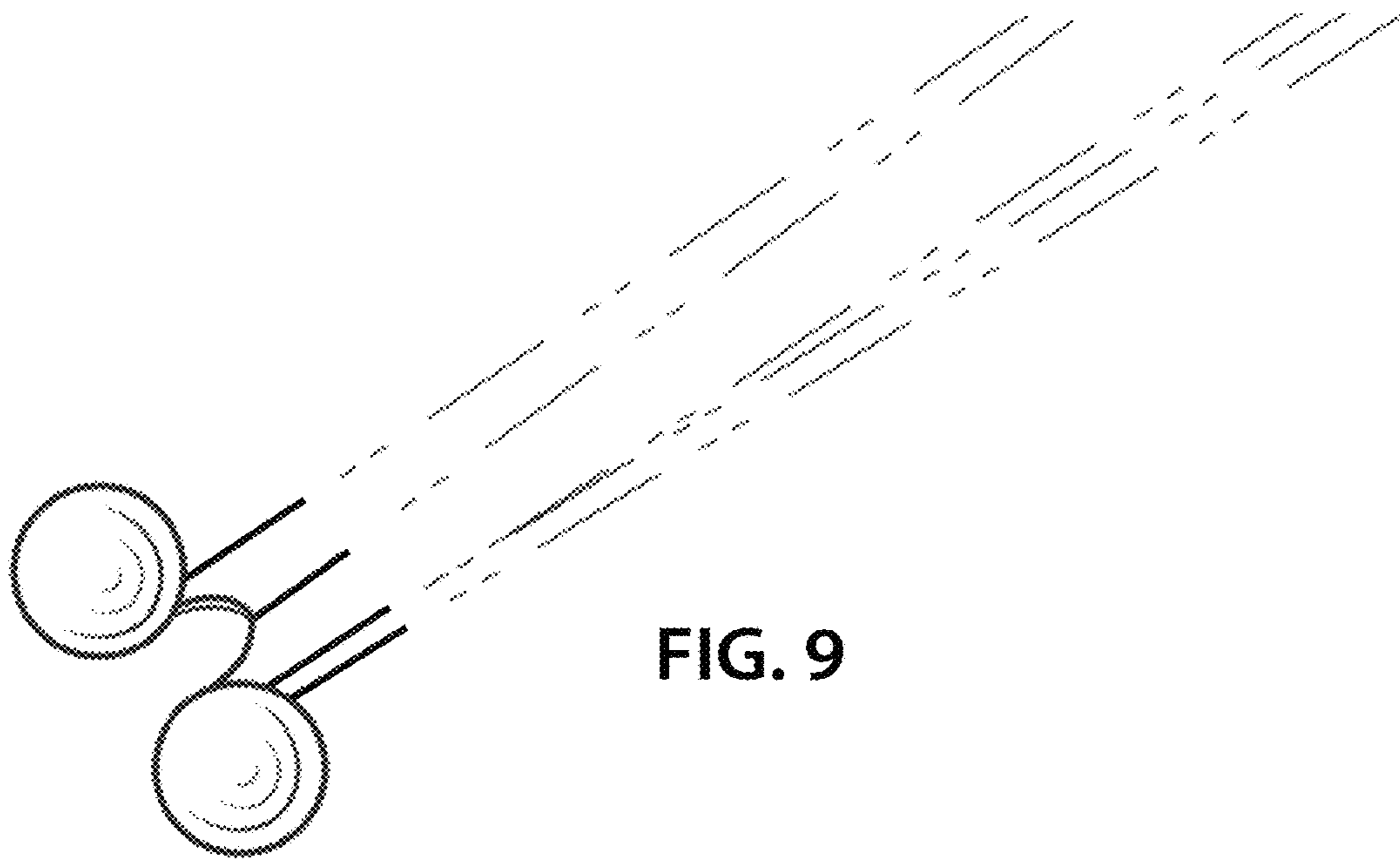


FIG. 9

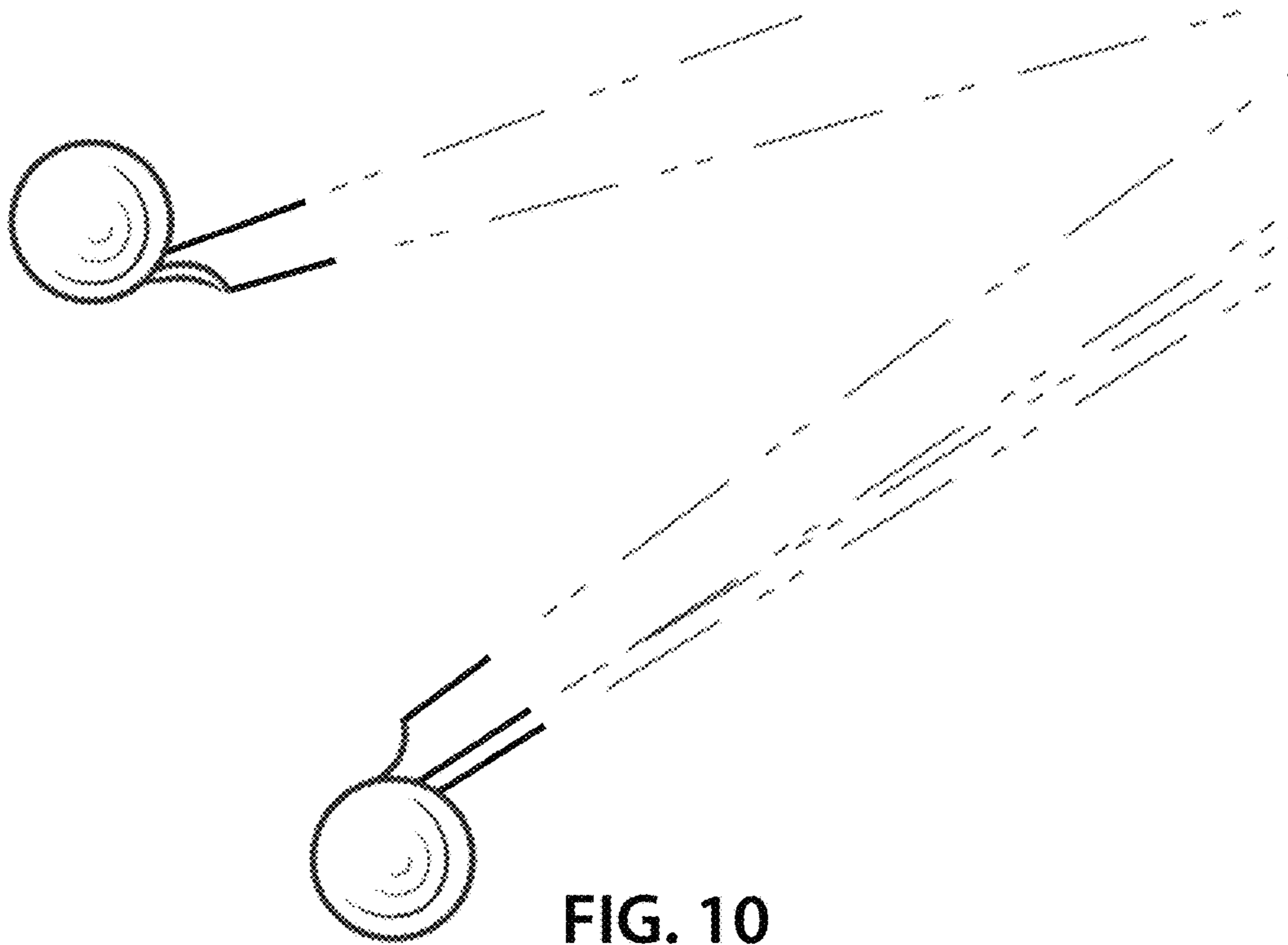


FIG. 10

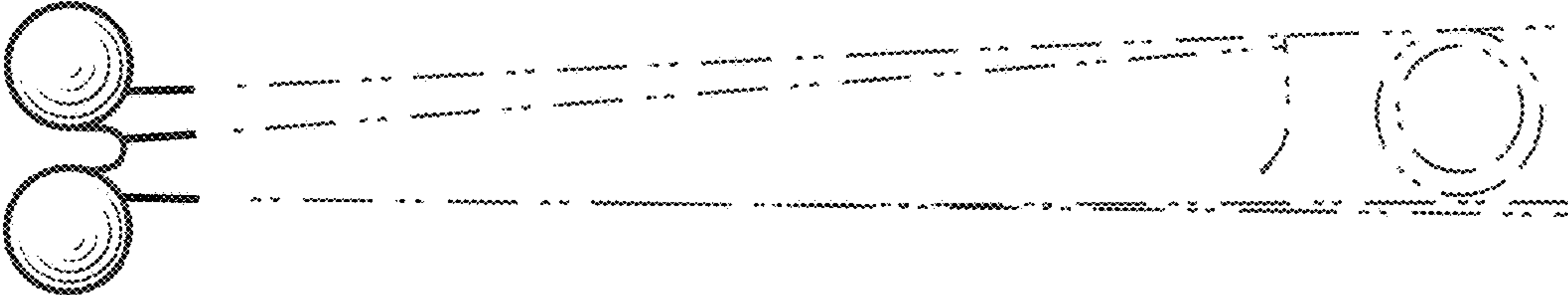


FIG. 11

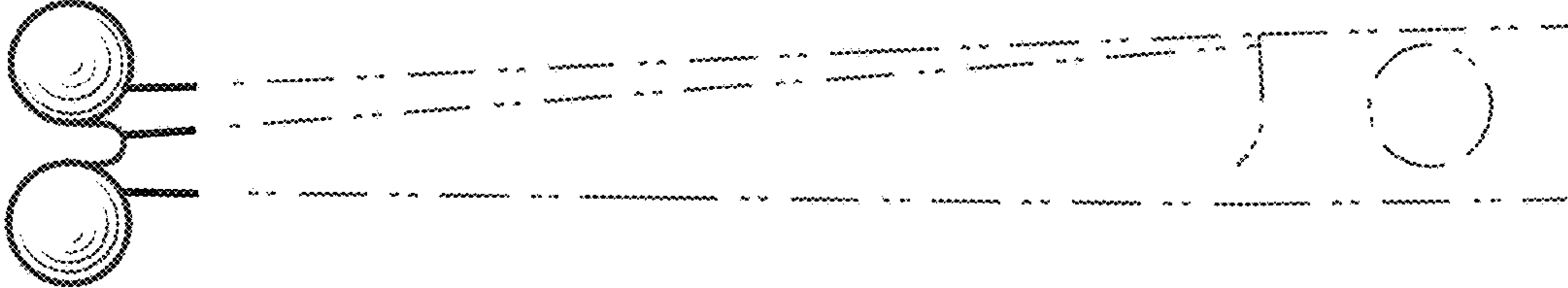


FIG. 12

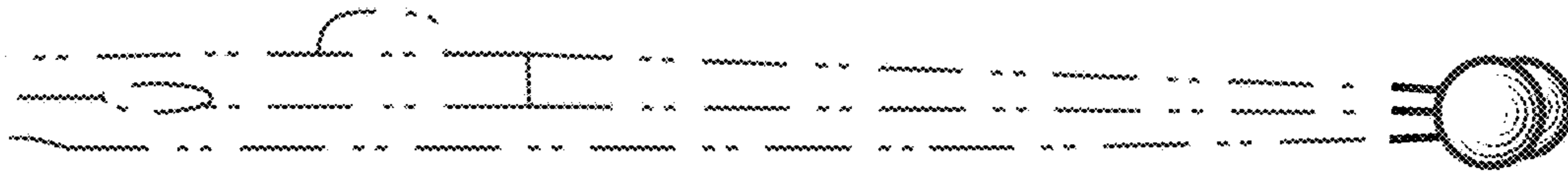


FIG. 13

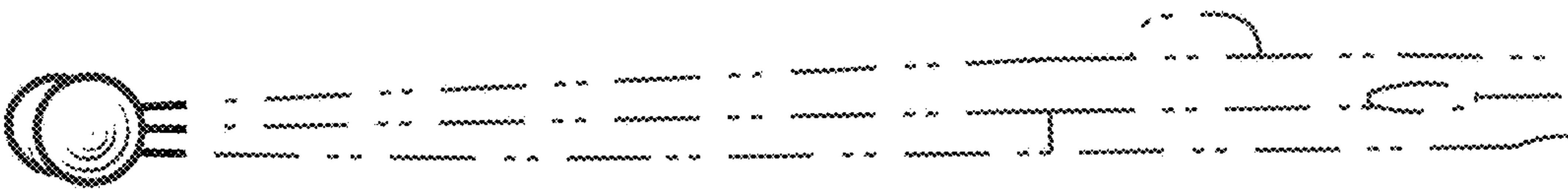


FIG. 14

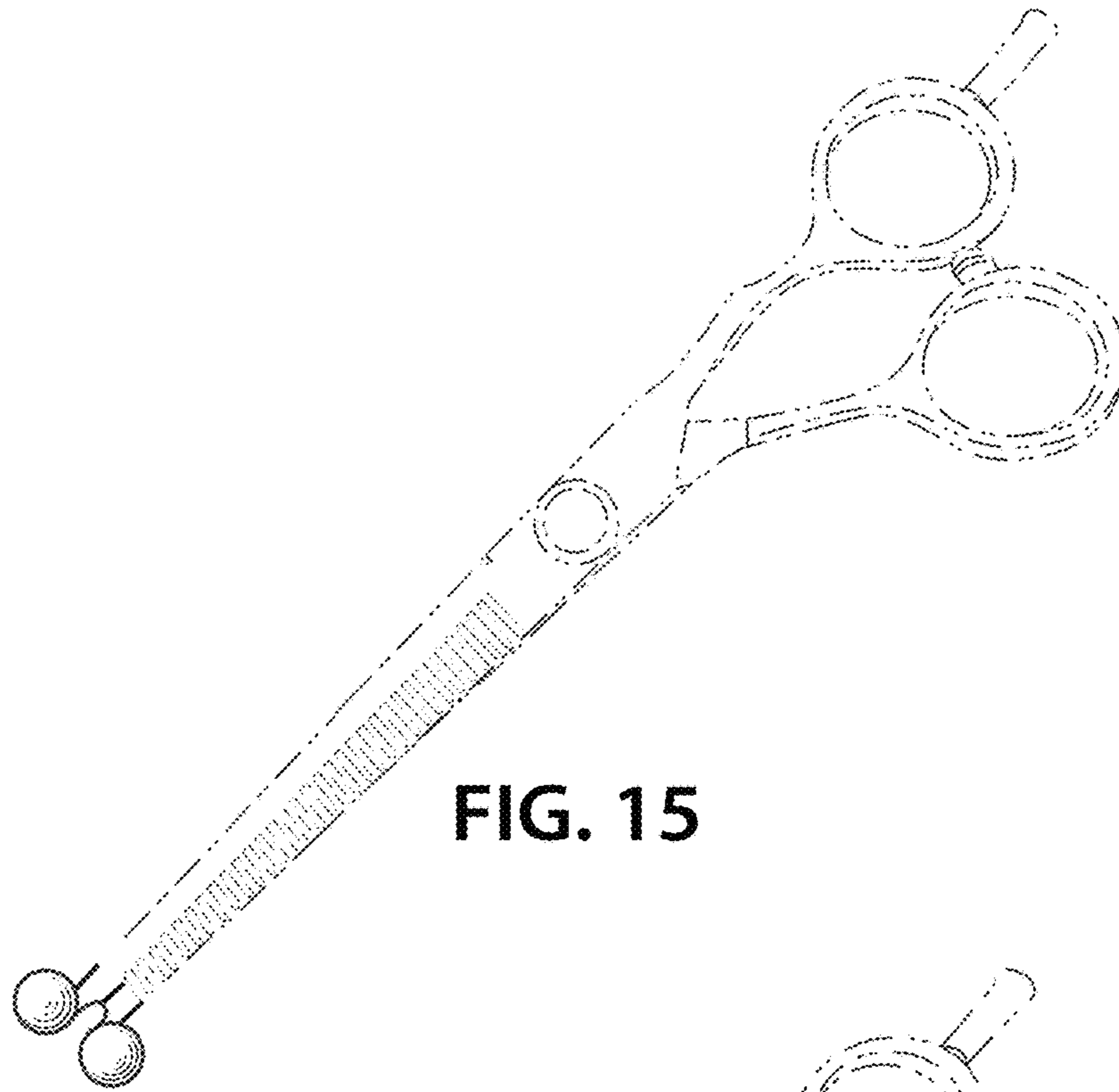


FIG. 15

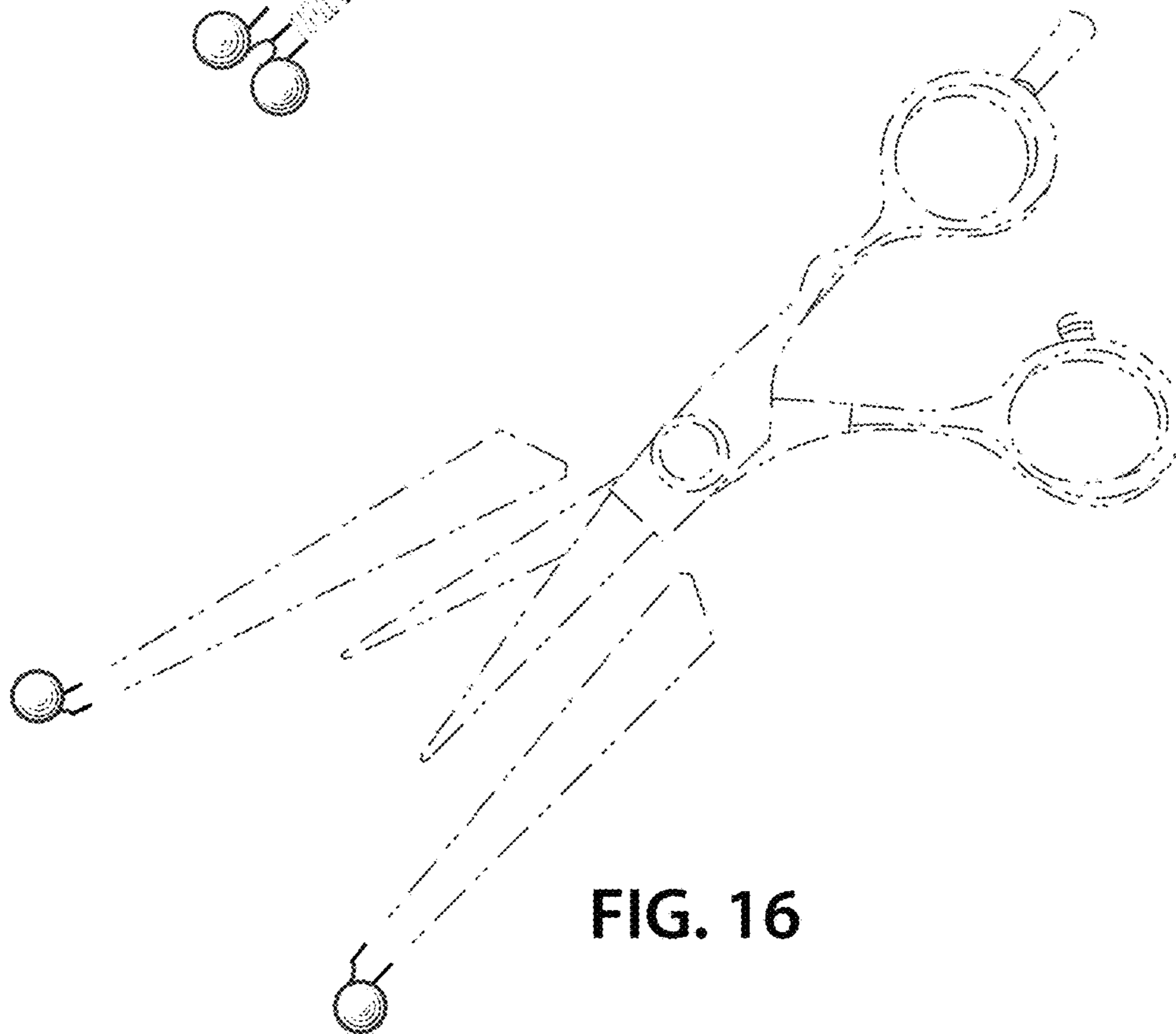


FIG. 16

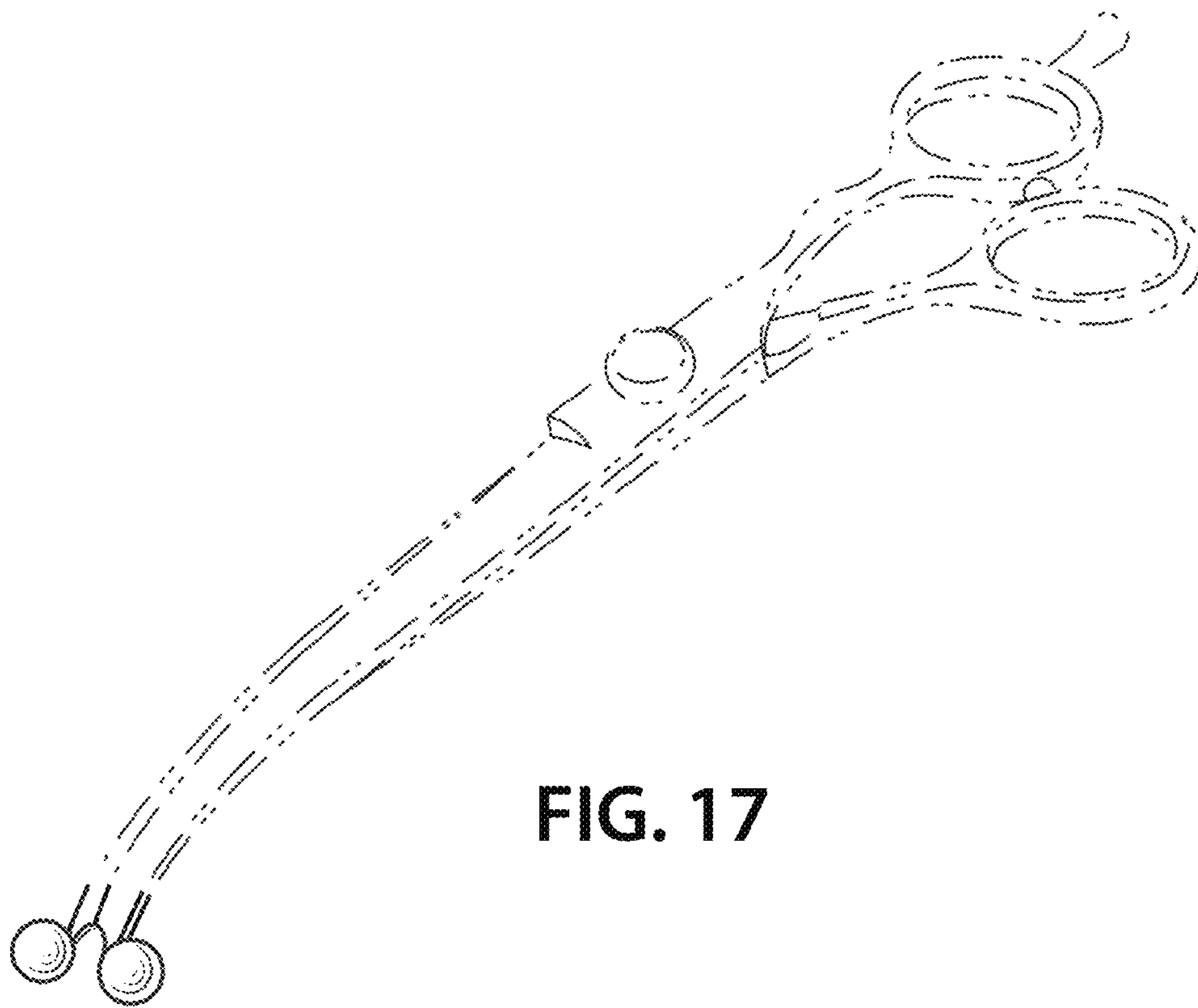


FIG. 17