



US00D817131S

(12) **United States Design Patent**
Kurino et al.

(10) **Patent No.:** **US D817,131 S**
(45) **Date of Patent:** **** May 8, 2018**

(54) **OPTICAL FIBER CUTTER**
(71) Applicant: **SEI OPTIFRONTIER CO., LTD.**,
Yokohama-shi, Kanagawa (JP)
(72) Inventors: **Shinsuke Kurino**, Yokohama (JP);
Yoshiyuki Nishizawa, Yokohama (JP)
(73) Assignee: **SEI Optifrontier Co., Ltd.**,
Yokohama-shi, Kanagawa (JP)

2004/0120678 A1* 6/2004 Hwang G02B 6/245
385/134
2006/0263028 A1* 11/2006 Honma G02B 6/25
385/134
2014/0299645 A1* 10/2014 Lurie G02B 6/25
225/96
2017/0235050 A1* 8/2017 Kurino G02B 6/25
83/887
2017/0235051 A1* 8/2017 Kurino G02B 6/25
83/887

(**) Term: **15 Years**
(21) Appl. No.: **29/585,235**
(22) Filed: **Nov. 22, 2016**

(Continued)
Primary Examiner — Deanna L Pratt
(74) *Attorney, Agent, or Firm* — Drinker Biddle & Reath
LLP

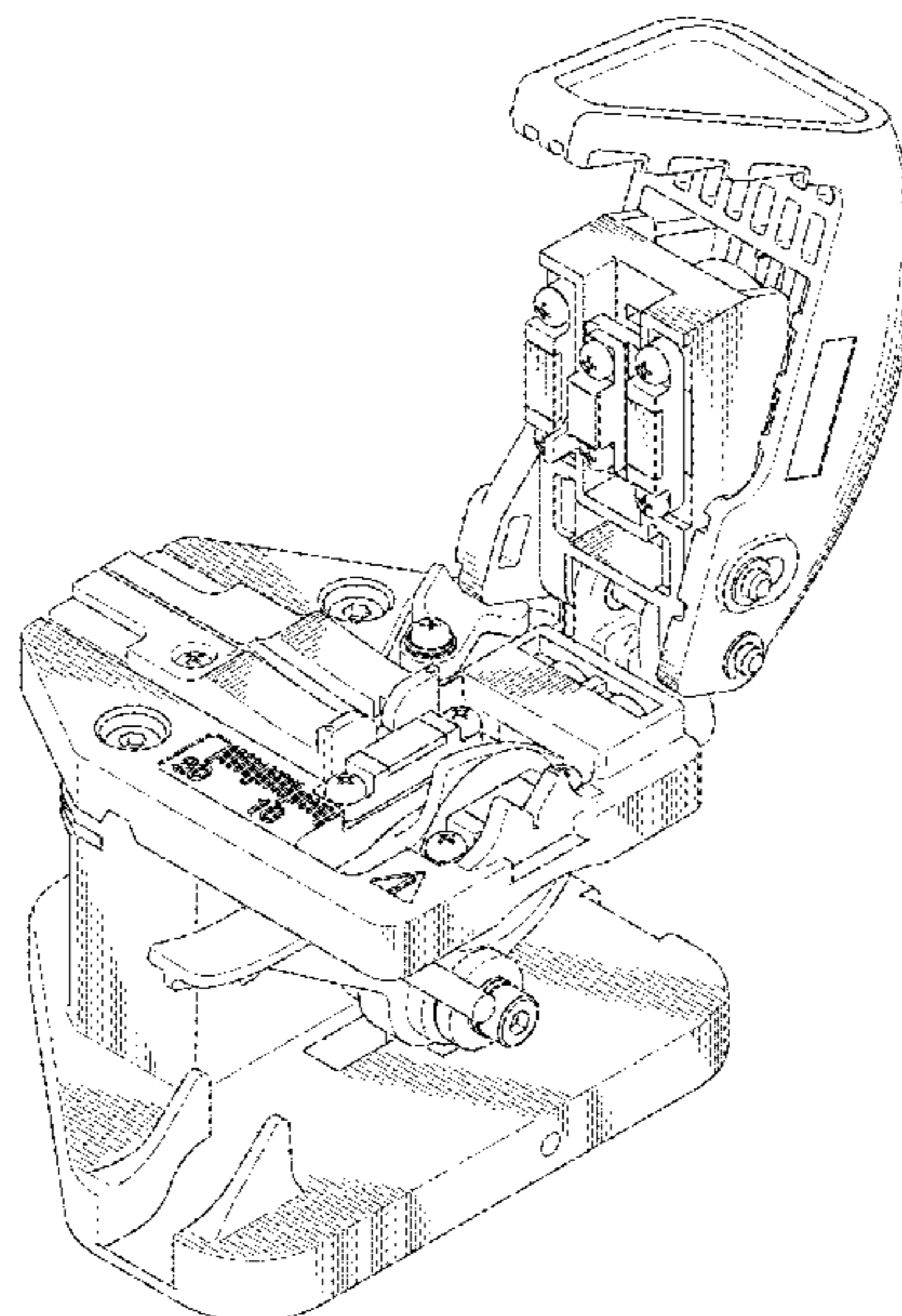
(30) **Foreign Application Priority Data**
May 27, 2016 (JP) 2016-011294
(51) **LOC (11) Cl.** **08-05**
(52) **U.S. Cl.**
USPC **D8/51**
(58) **Field of Classification Search**
USPC D8/4, 5, 14, 51–58, 98
CPC G02B 6/25; G02B 6/245; G02B 6/4497;
G02B 6/4498; G02B 6/2553
See application file for complete search history.

(57) **CLAIM**
The ornamental design for an optical fiber cutter, as shown
and described.

(56) **References Cited**
U.S. PATENT DOCUMENTS
D477,521 S * 7/2003 Tarpill D8/51
7,681,476 B2 * 3/2010 Fritsche G02B 6/245
30/90.4
D649,847 S * 12/2011 Zagula D8/14
D692,739 S * 11/2013 Hasegawa D8/51
8,746,525 B2 * 6/2014 Pepin G02B 6/25
225/96.5
D745,816 S * 12/2015 Zhao D8/51
9,395,492 B2 * 7/2016 Hasegawa G02B 6/25
9,726,823 B2 * 8/2017 Zhao G02B 6/25

DESCRIPTION
FIG. 1 is a front view of an optical fiber cutter of the present
invention.
FIG. 2 is a rear view thereof.
FIG. 3 is a top plan view thereof.
FIG. 4 is a bottom view thereof.
FIG. 5 is a right side view thereof.
FIG. 6 is a left side view thereof.
FIG. 7 is a front perspective view thereof.
FIG. 8 is a rear perspective view thereof.
FIG. 9 is a reduced front view with the cover opened thereof.
FIG. 10 is a reduced top plan view with the cover opened
thereof.
FIG. 11 is a reduced right side view with the cover opened
thereof.
FIG. 12 is a reduced front perspective view with the cover
opened thereof; and,
FIG. 13 is a sectional view taken along the line 13-13 of FIG.
3 thereof.

1 Claim, 13 Drawing Sheets



(56)

References Cited

U.S. PATENT DOCUMENTS

2017/0235052 A1* 8/2017 Kurino G02B 6/25
83/870

* cited by examiner

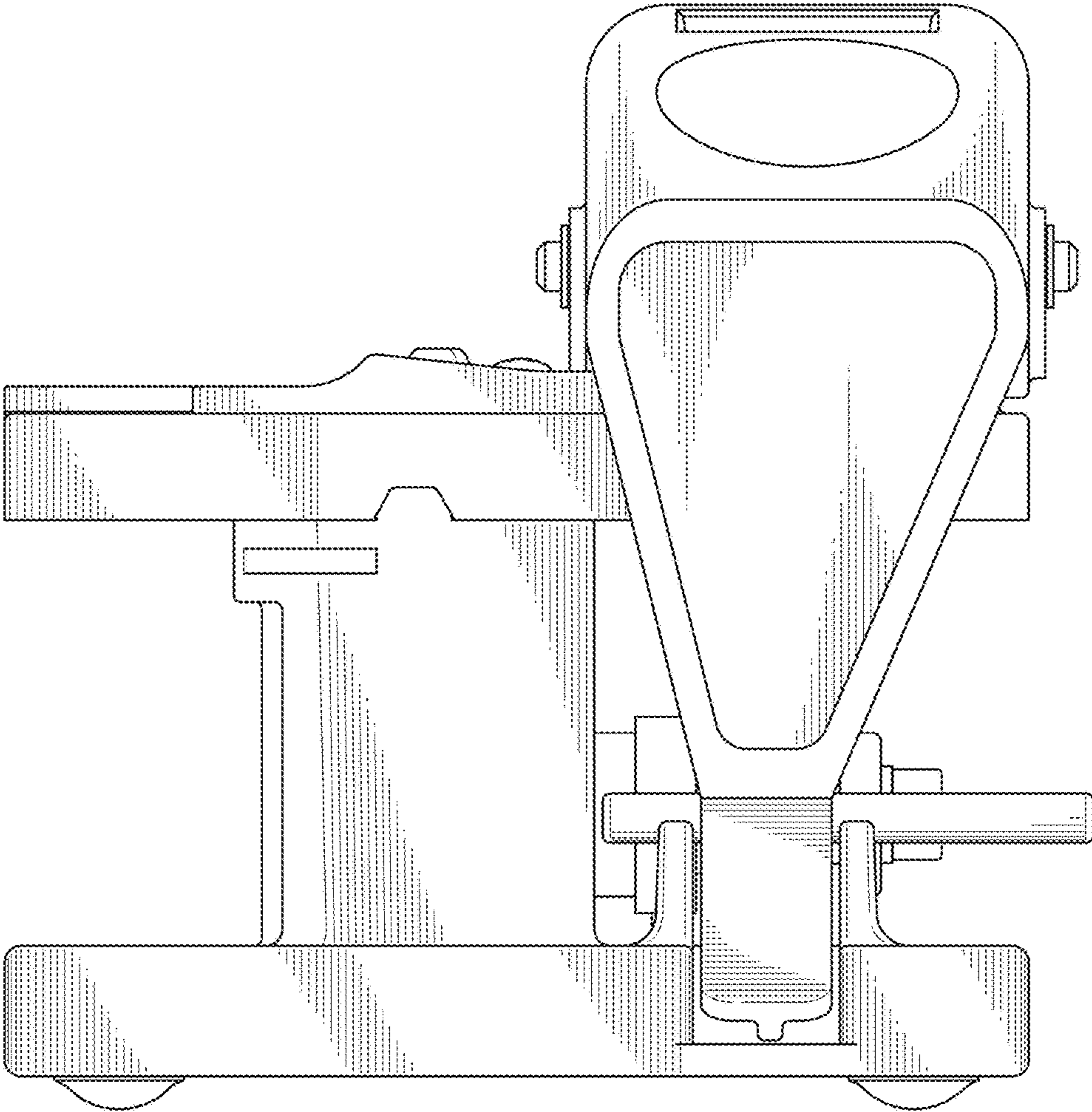


FIG. 1

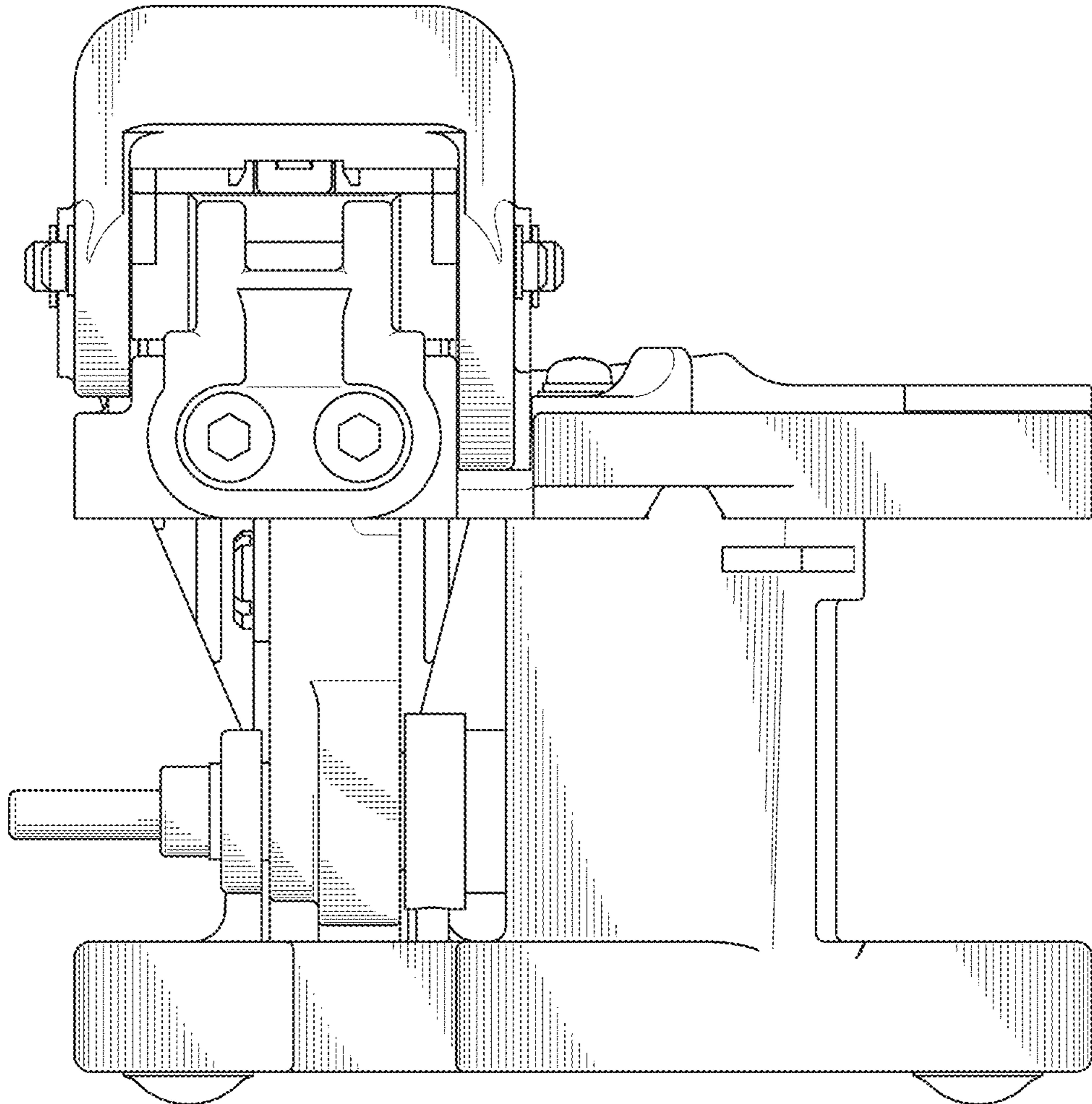


FIG. 2

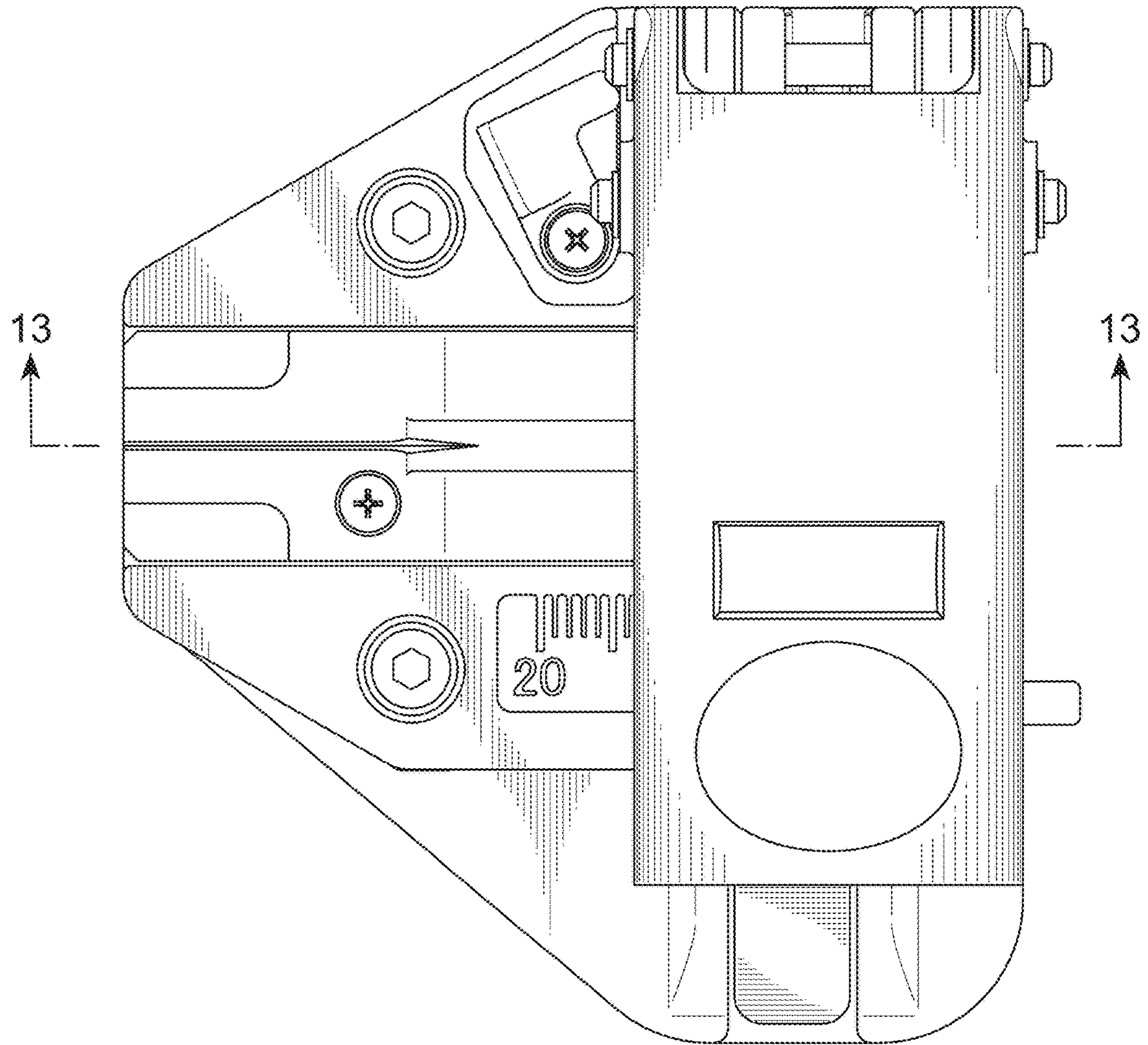


FIG. 3

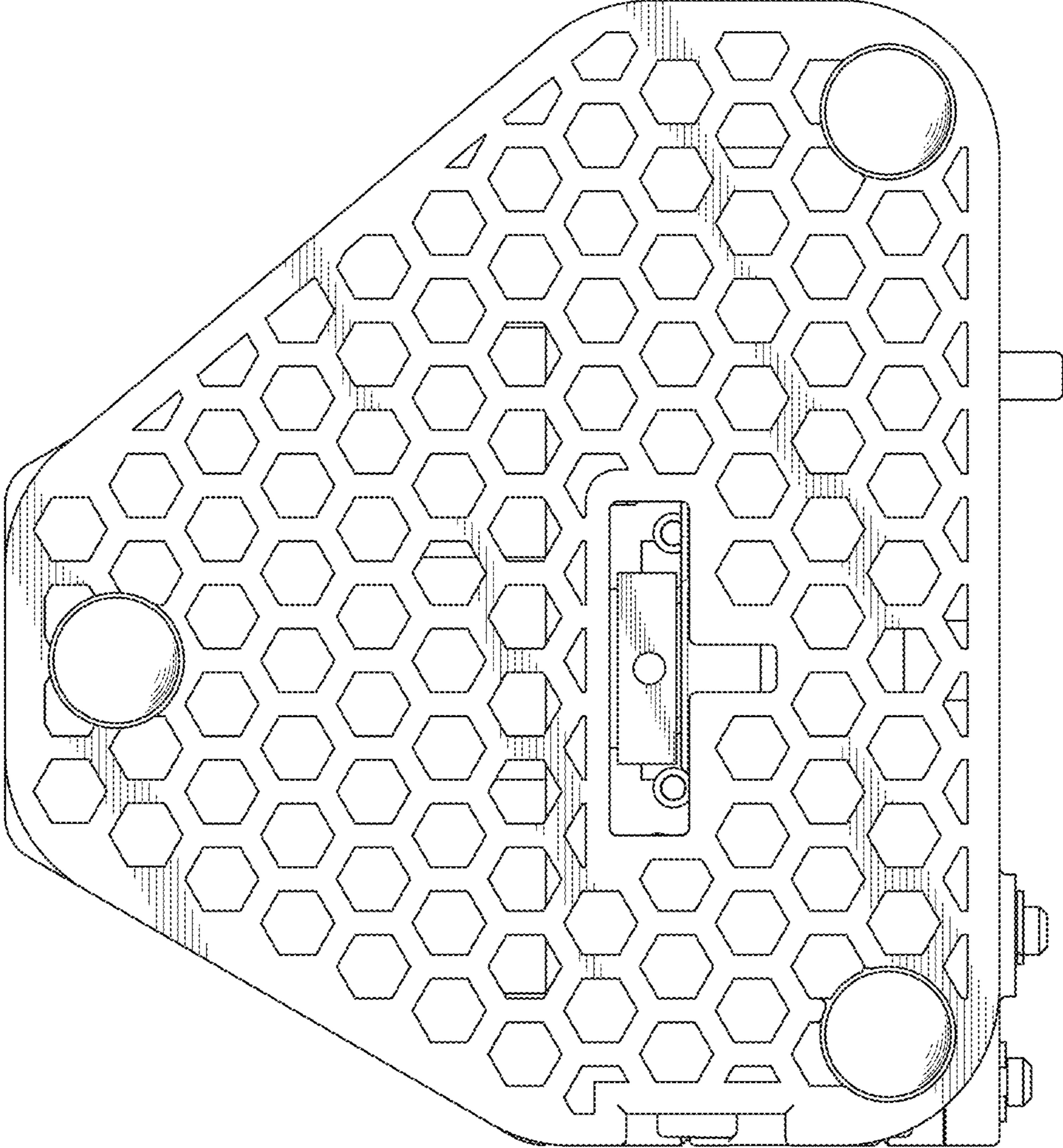


FIG. 4

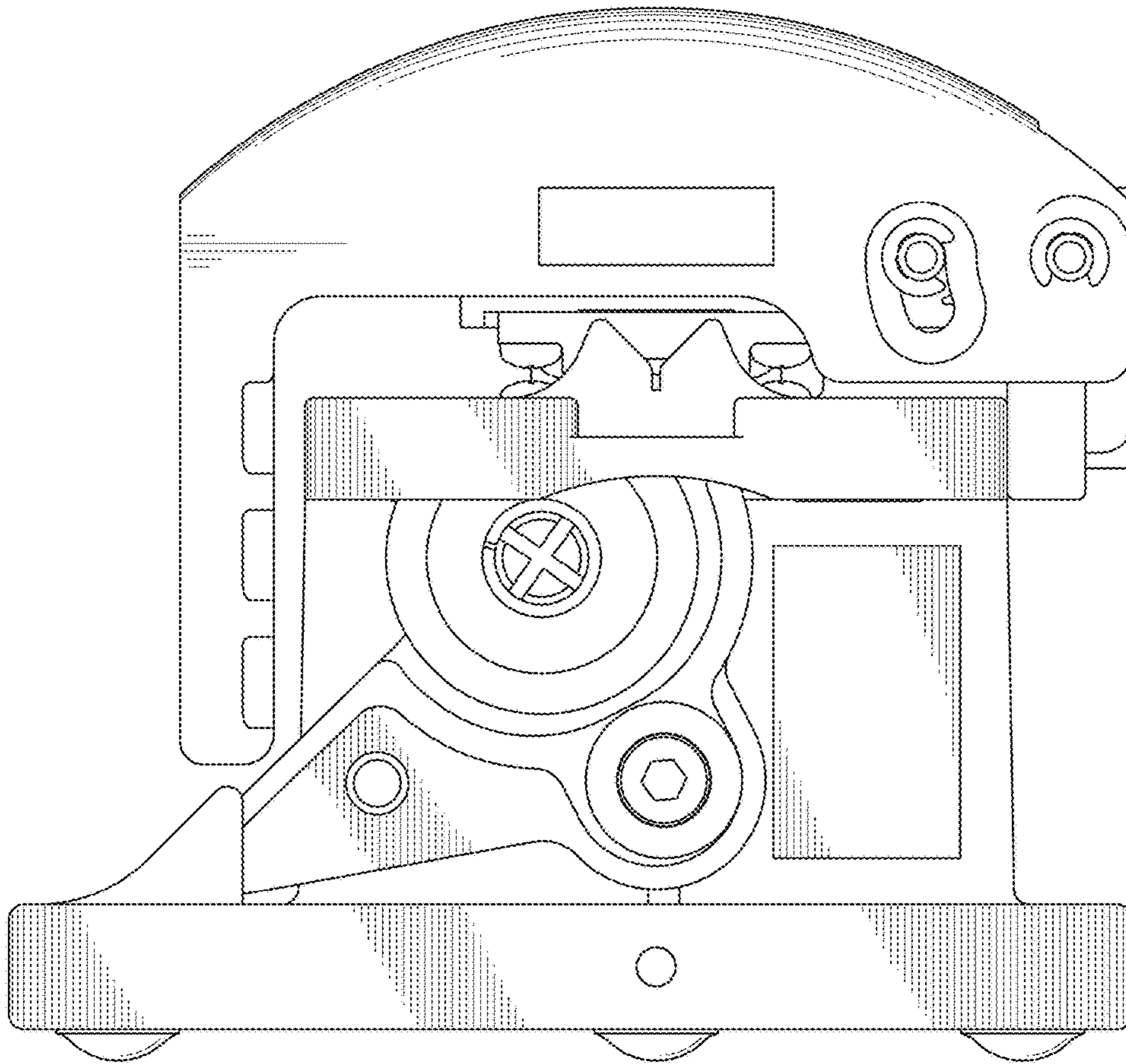


FIG. 5

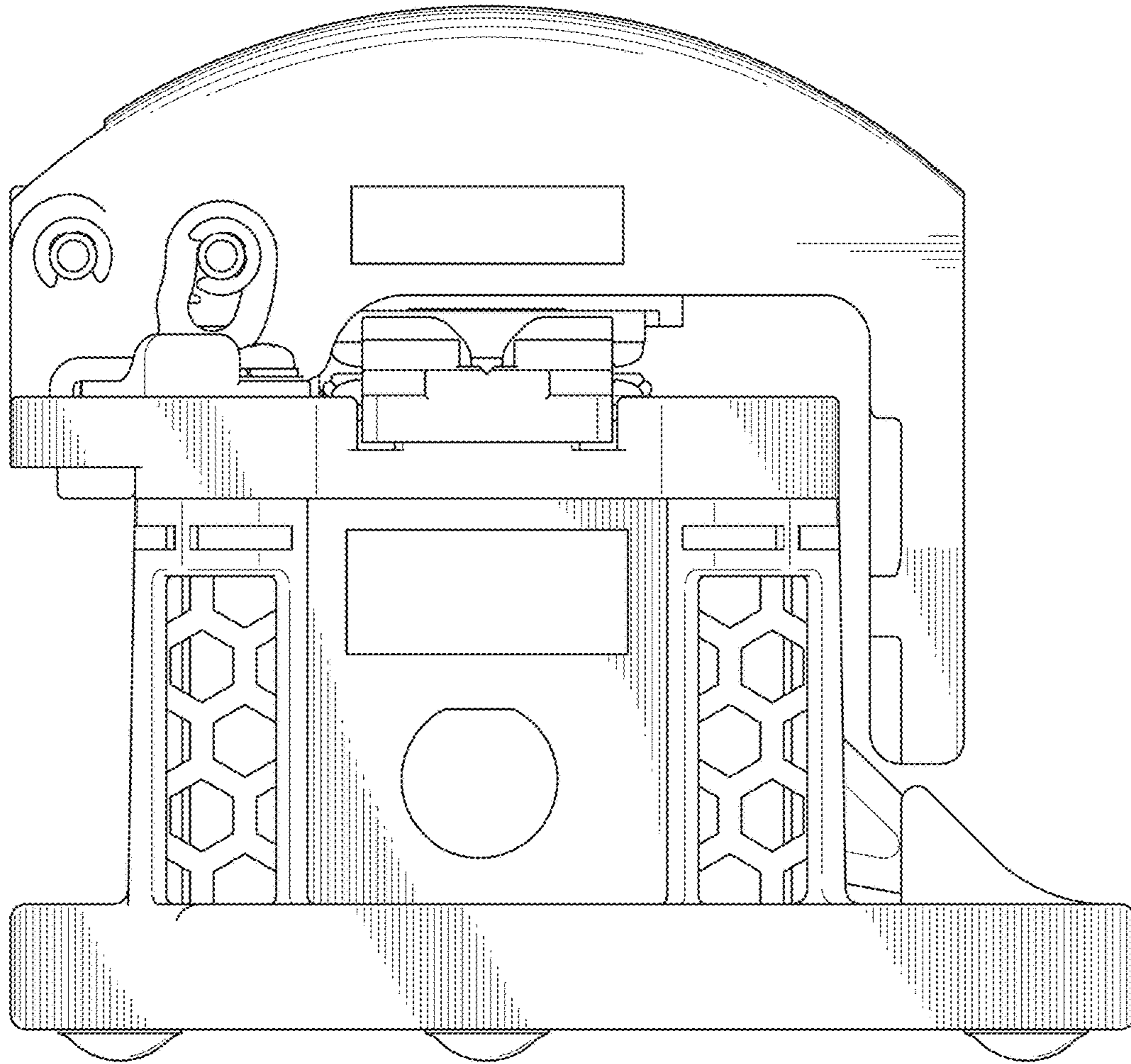


FIG. 6

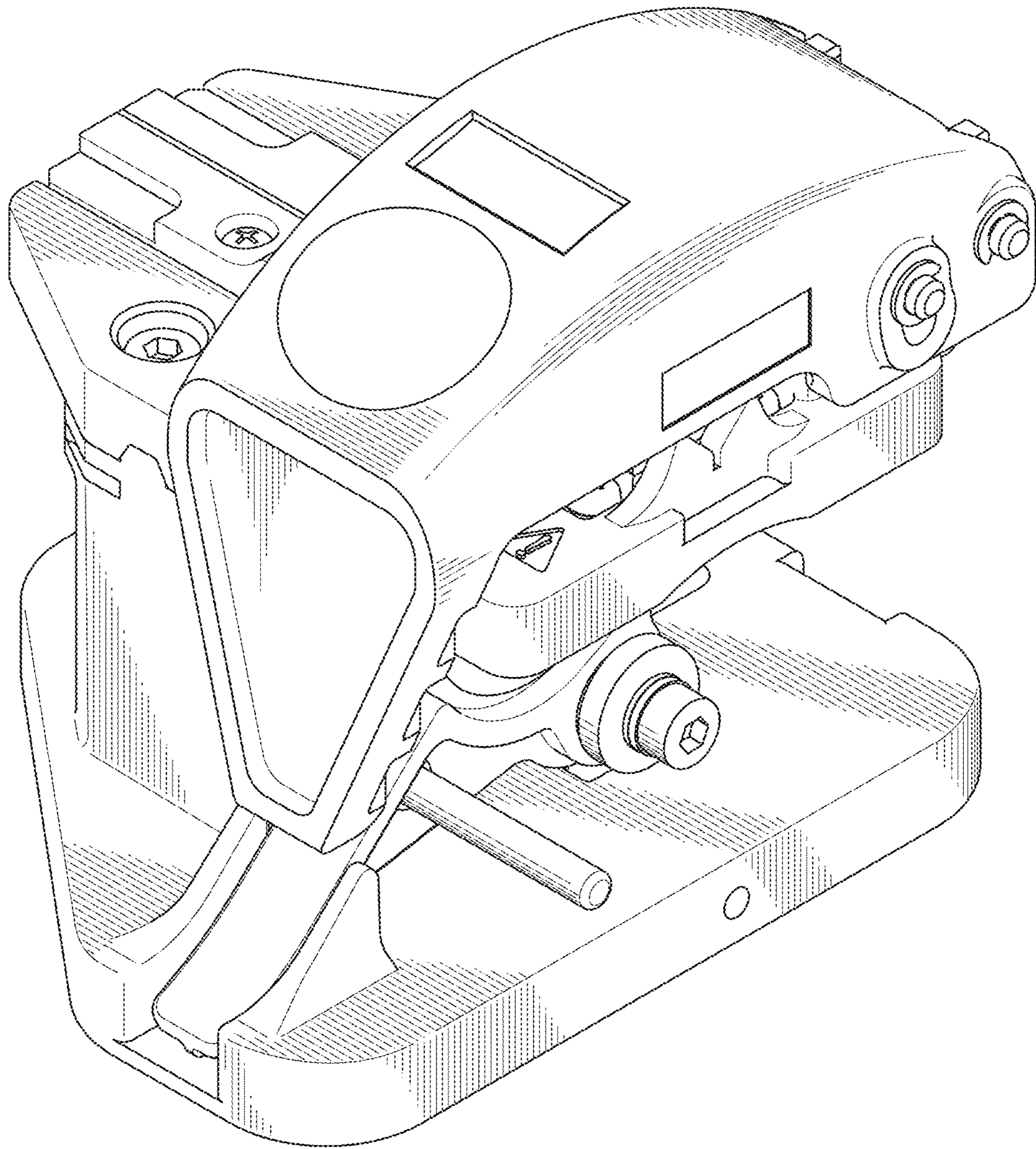


FIG. 7

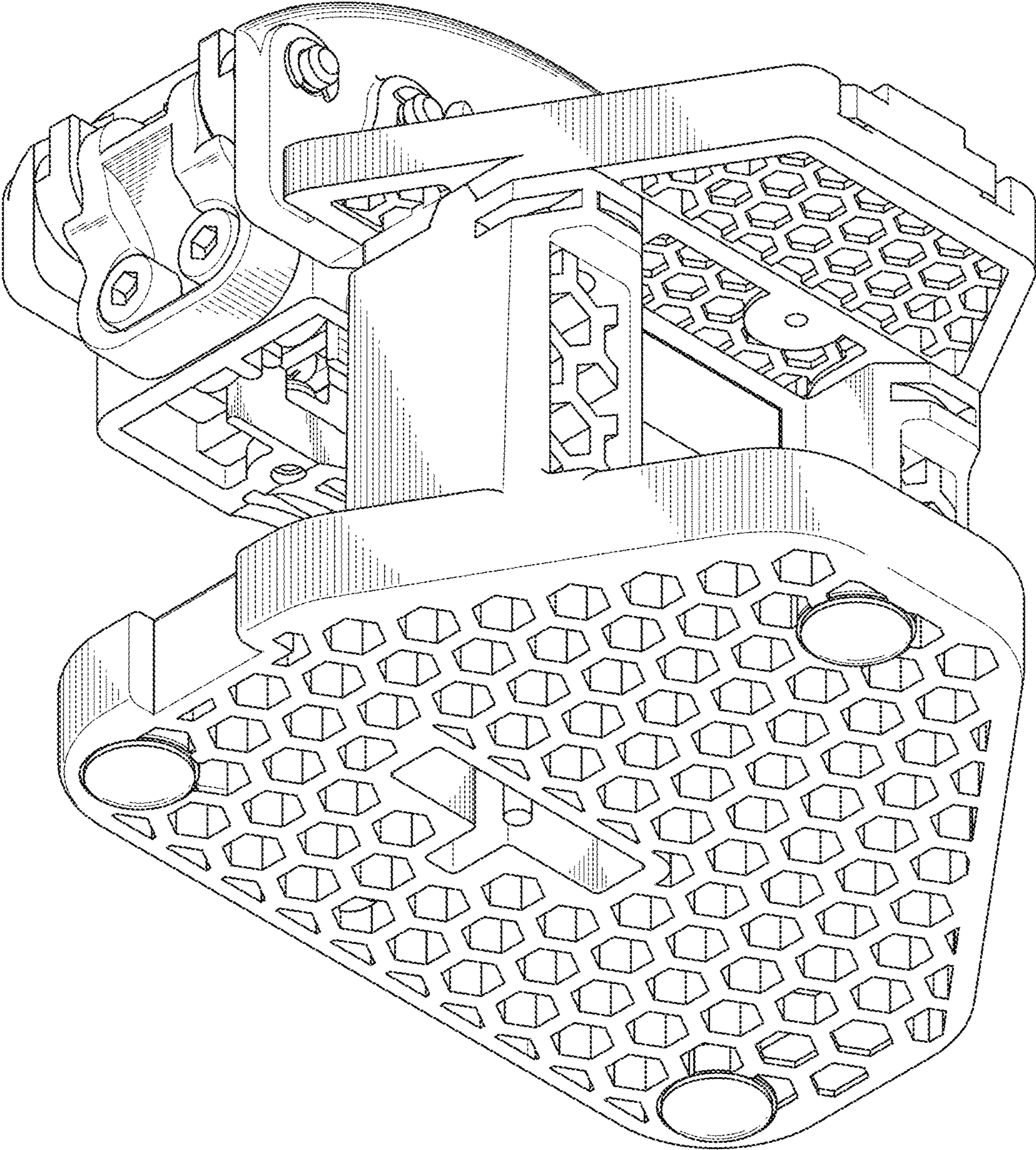


FIG. 8

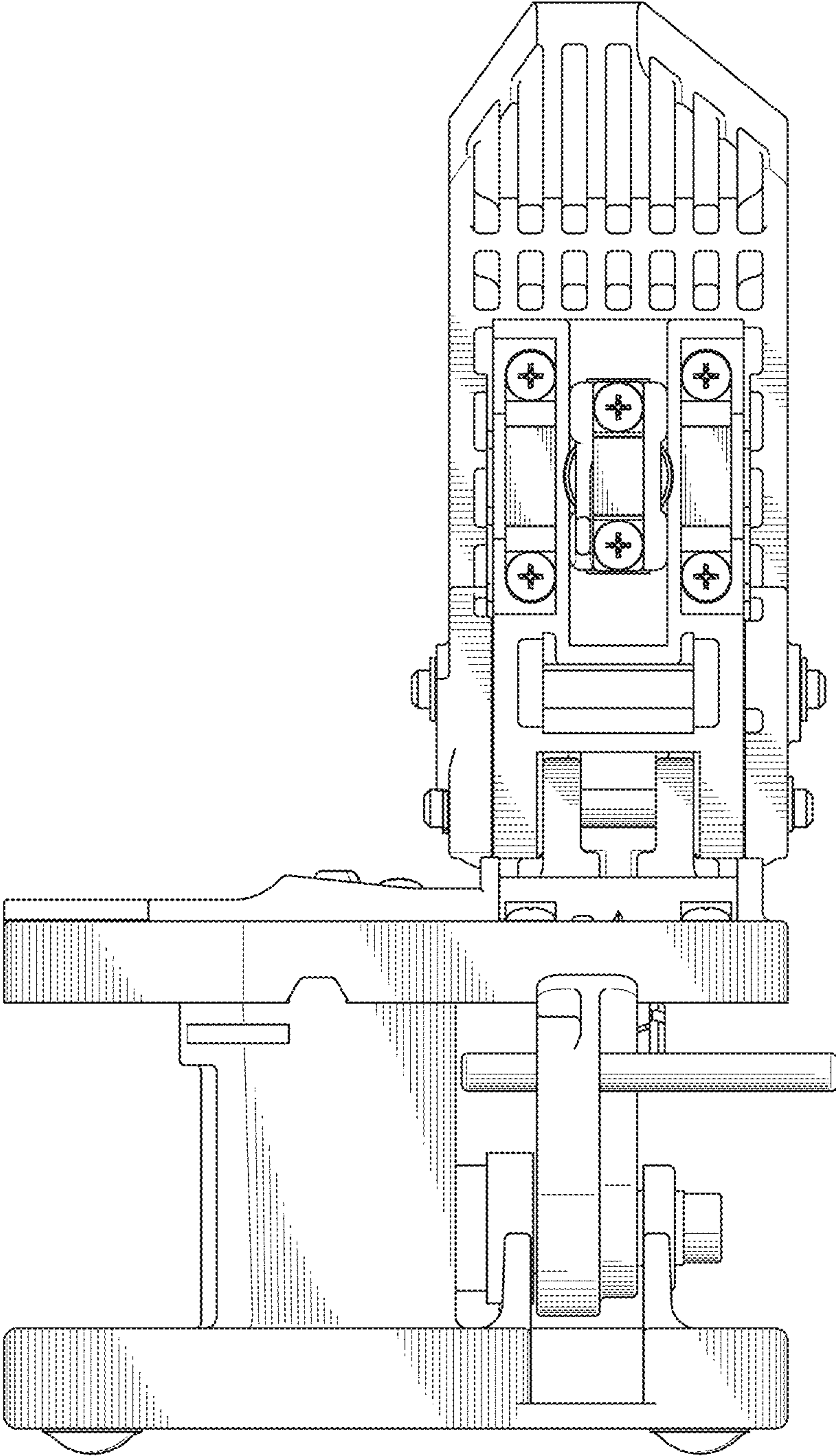


FIG. 9

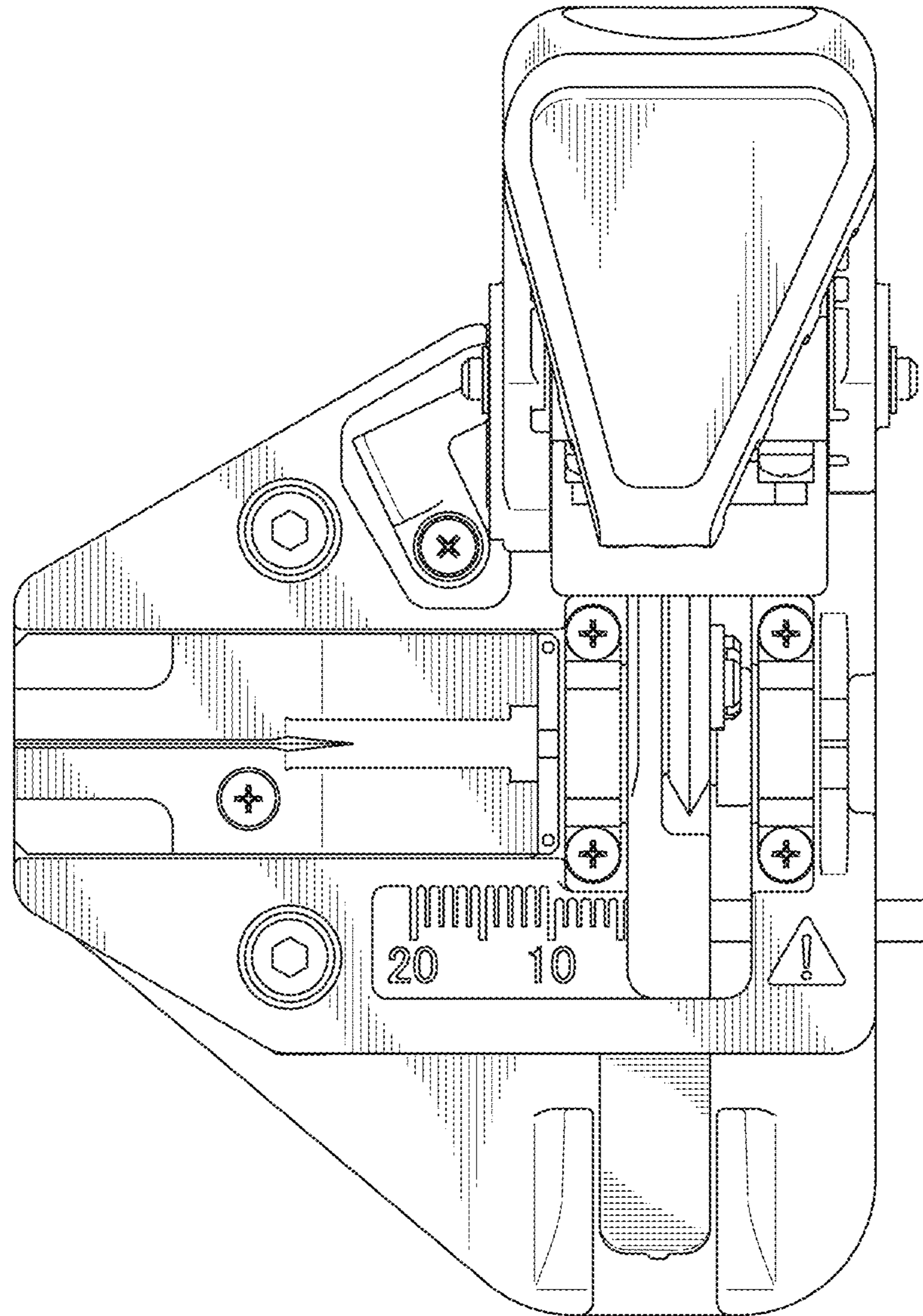


FIG. 10

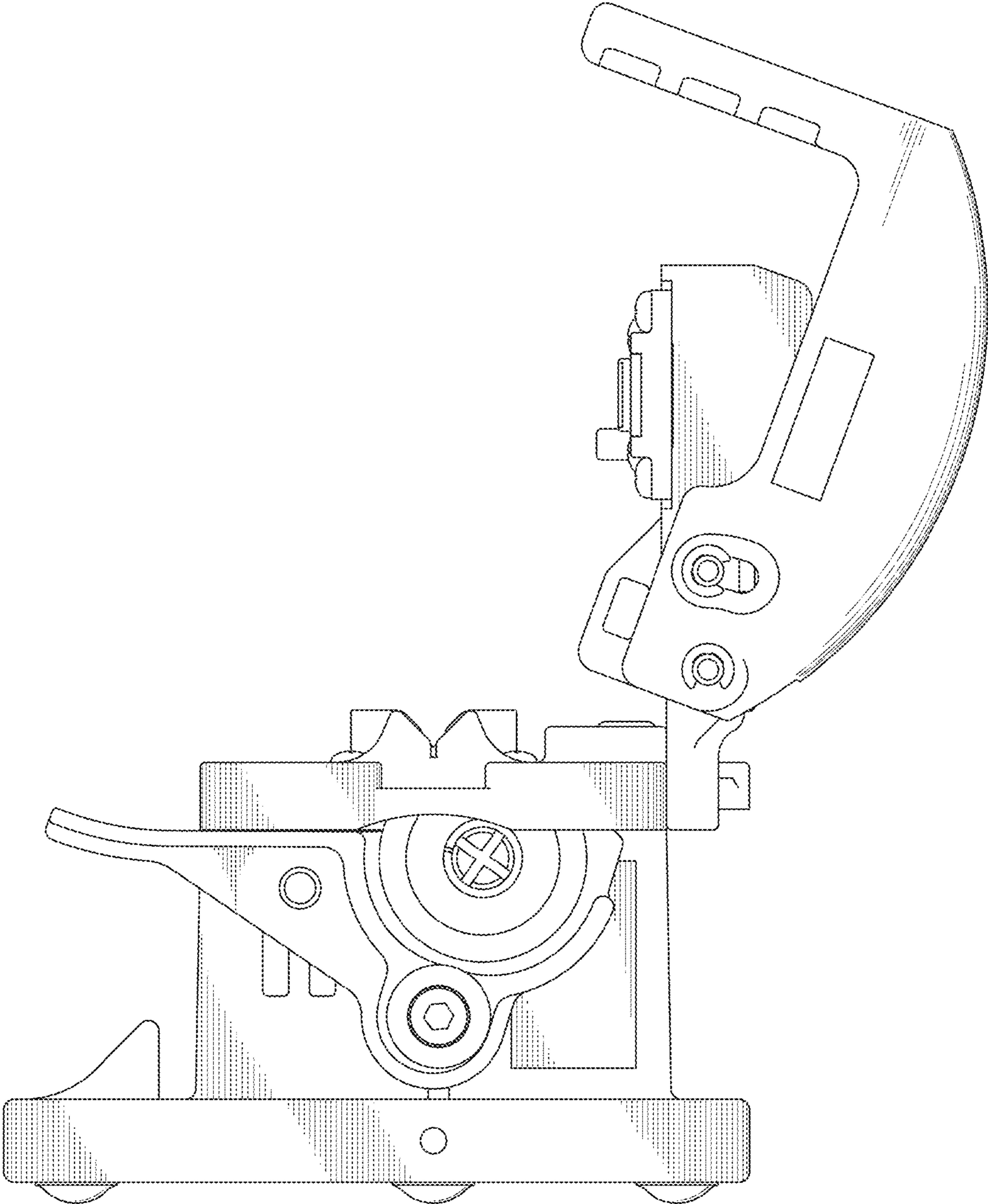


FIG. 11

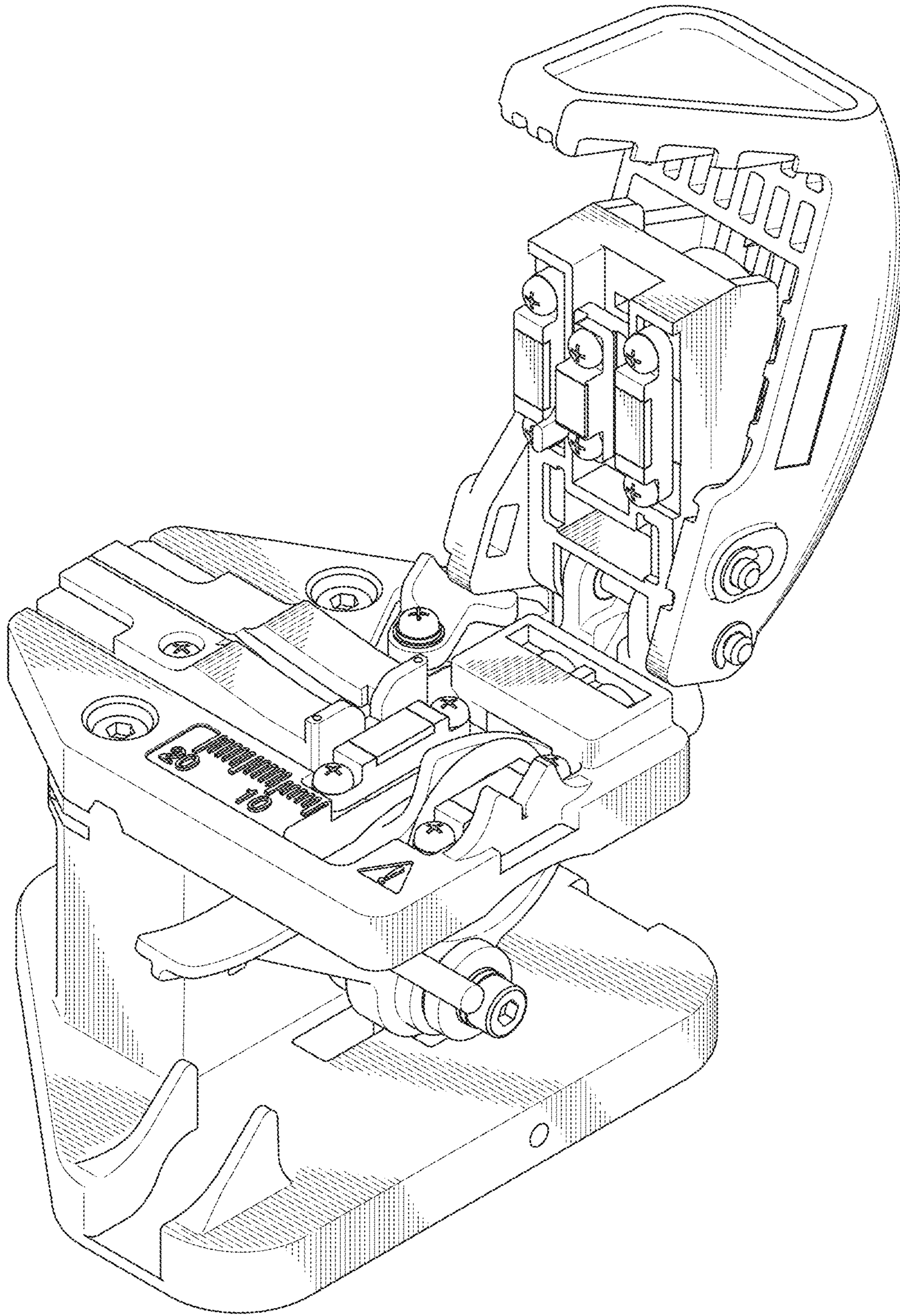


FIG. 12

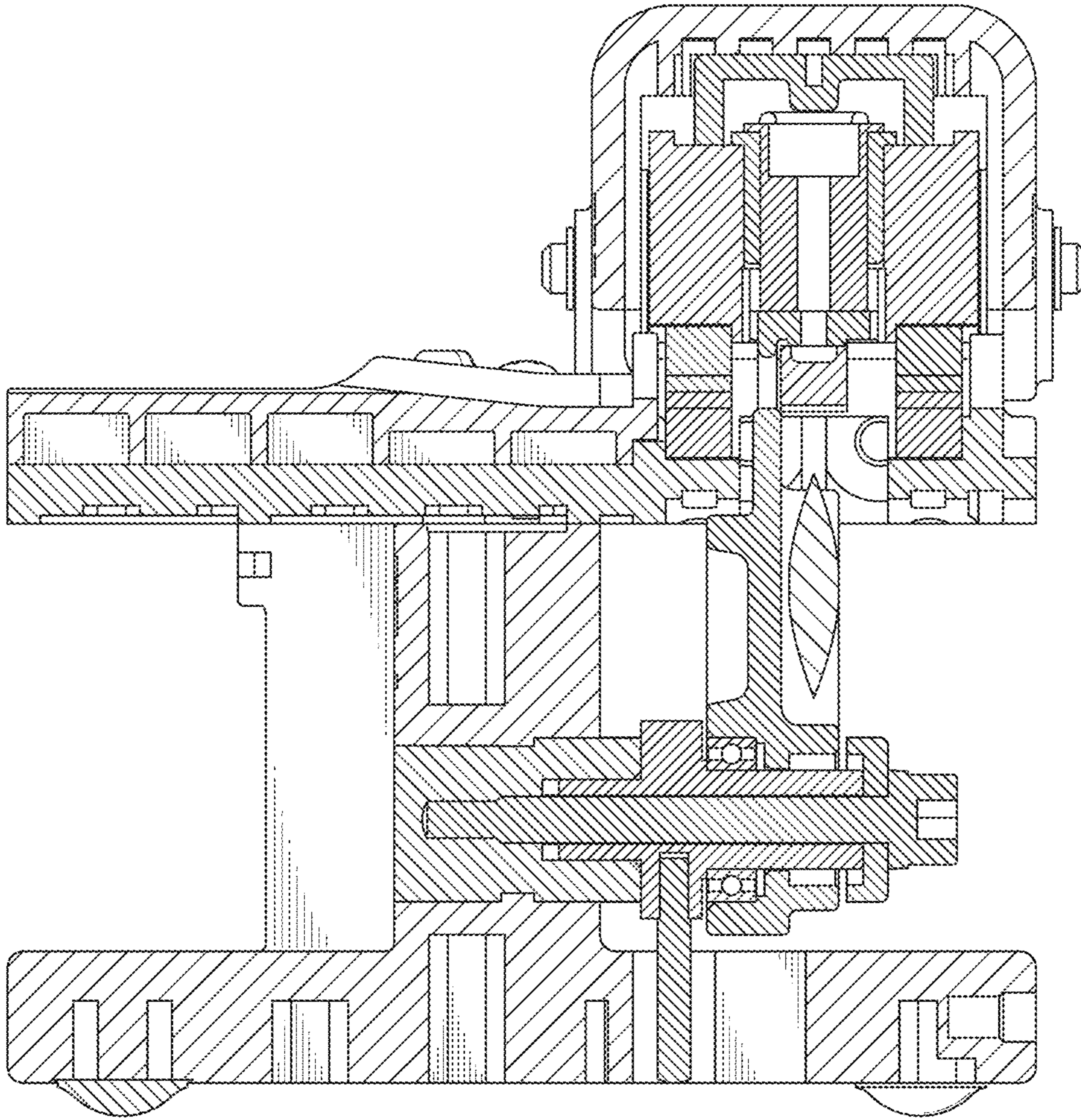


FIG. 13