



US00D817127S

(12) **United States Design Patent** (10) **Patent No.:** **US D817,127 S**
Gopi (45) **Date of Patent:** **** May 8, 2018**

(54) **CUTTING TOOL**

(71) Applicants: **Robert Bosch Tool Corporation**,
Broadview, IL (US); **Robert Bosch GmbH**, Stuttgart (DE)

(72) Inventor: **Arvind Gopi**, Prospect Heights, IL (US)

(73) Assignees: **Robert Bosch Tool Corporation**,
Broadview, IL (US); **Robert Bosch GmbH**, Stuttgart (DE)

(**) Term: **15 Years**

(21) Appl. No.: **29/571,645**

(22) Filed: **Jul. 20, 2016**

(51) **LOC (11) Cl.** **08-03**

(52) **U.S. Cl.**

USPC **D8/20**

(58) **Field of Classification Search**

USPC D8/5, 12, 19, 20, 29, 62, 70, 86, 98;
D10/64; D15/138, 140; 30/166.3, 169,
30/272, 277.4, 294, 339, 346, 347, 355,
30/389, 392; 83/665, 666, 667, 835, 886;
125/15, 25, 13.01; 403/3, 163, 316,
403/359.3; 451/8, 28, 57, 163, 294, 342,
451/344, 41, 349, 453, 356, 357, 359,
451/360, 490, 494, 508, 509, 510, 511,
451/548, 559; 407/20, 30; 409/1, 64,
409/228, 243

(Continued)

(56) **References Cited**

U.S. PATENT DOCUMENTS

D682,652 S * 5/2013 McRoberts D8/20
D693,193 S * 11/2013 Bozic D8/20

(Continued)

Primary Examiner — Wan Laymon

Assistant Examiner — Clint A Samuel

(74) *Attorney, Agent, or Firm* — Maginot, Moore & Beck LLP

(57) **CLAIM**

The ornamental design for a cutting tool, as shown and described.

DESCRIPTION

Cross reference is made to copending U.S. design patent application Ser. No. 29/571,646 entitled “Cutting Tool” by Arvind Gopi filed on even date herewith; U.S. design patent application Ser. No. 29/571,647 entitled “Cutting Tool” by Arvind Gopi filed on even date herewith; U.S. design patent application Ser. No. 29/571,651 entitled “Cutting Tool” by Arvind Gopi filed on even date herewith, and U.S. design patent application Ser. No. 29/571,653 entitled “Cutting Tool” by Arvind Gopi filed on even date herewith.

FIG. 1 is a perspective view of a cutting tool showing my new design;

FIG. 2 is a front elevational view showing the design for the cutting tool of FIG. 1;

FIG. 3 is a rear elevational view showing the design for the cutting tool of FIG. 1;

FIG. 4 is a left side elevational view showing the design for the cutting tool of FIG. 1;

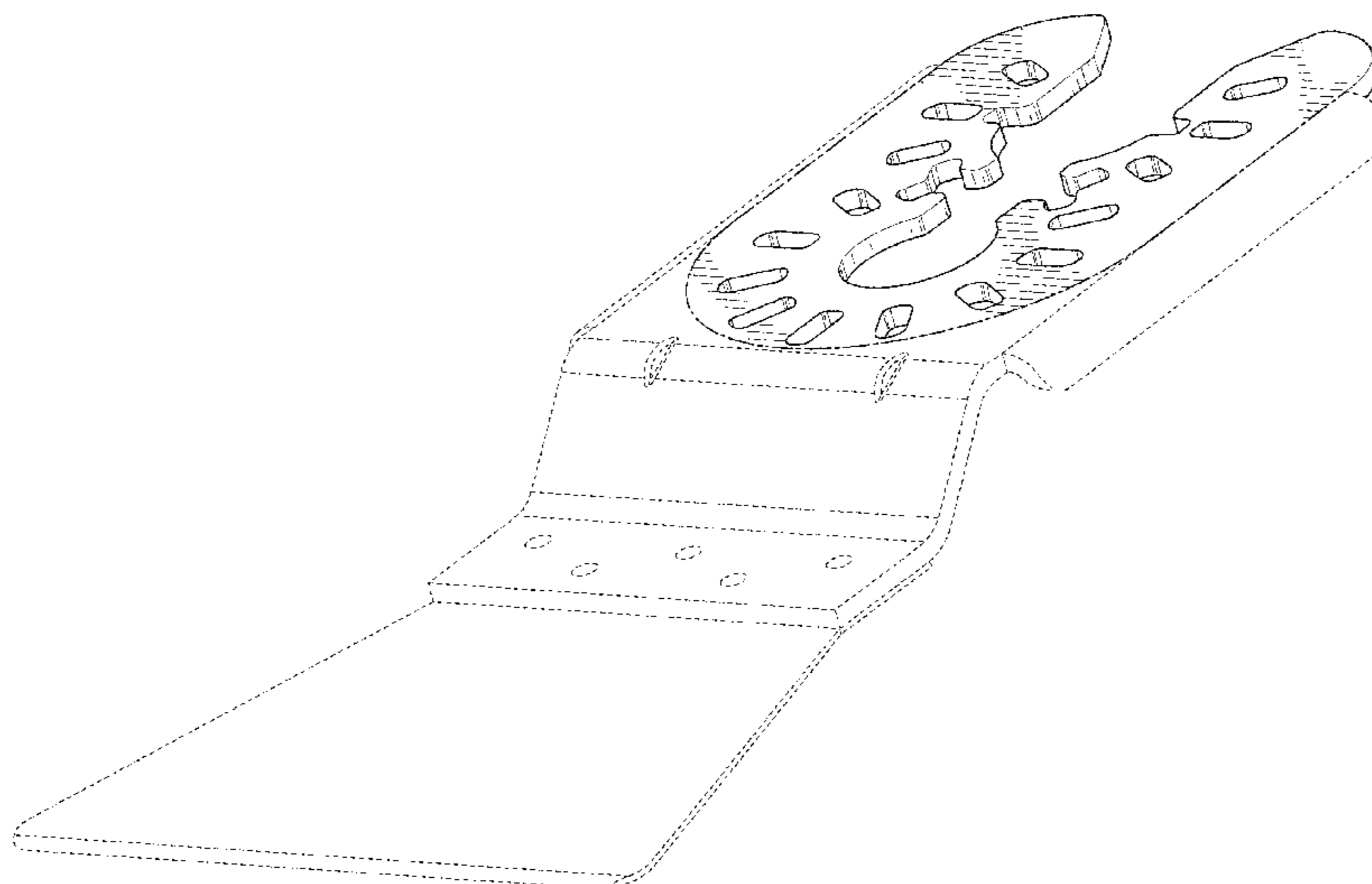
FIG. 5 is a right side elevational view showing the design for the cutting tool of FIG. 1;

FIG. 6 is a top plan view showing the design for the cutting tool of FIG. 1; and,

FIG. 7 is a bottom plan view showing the design for the cutting tool of FIG. 1.

The broken lines shown in the figures illustrate portions of the cutting tool that form no part of the claimed design. The dash dot lines shown in the figures illustrate boundaries of the claimed design and form no part of the claimed design.

1 Claim, 5 Drawing Sheets



(58) **Field of Classification Search**

CPC B23D 65/00; B23D 63/00; B23D 13/00;
B23D 45/00; B23D 59/00; B26D 7/00;
B26D 1/00; B26B 9/00; B26B 9/02;
B26B 25/00; B23B 3/00; B23B 23/00;
B25D 2217/00

See application file for complete search history.

(56) **References Cited**

U.S. PATENT DOCUMENTS

D694,076 S * 11/2013 Davidian D8/20
D694,077 S * 11/2013 Bozic D8/20
D694,596 S * 12/2013 Davidian D8/20
D694,597 S * 12/2013 Davidian D8/20
D694,598 S * 12/2013 Davidian D8/20
D694,599 S * 12/2013 Davidian D8/20
D724,923 S * 3/2015 McRoberts D8/20
D727,380 S * 4/2015 Zhang D15/139
D741,135 S * 10/2015 Yang D15/140
D741,136 S * 10/2015 Yang D15/140
D750,461 S * 3/2016 McRoberts D8/70

* cited by examiner

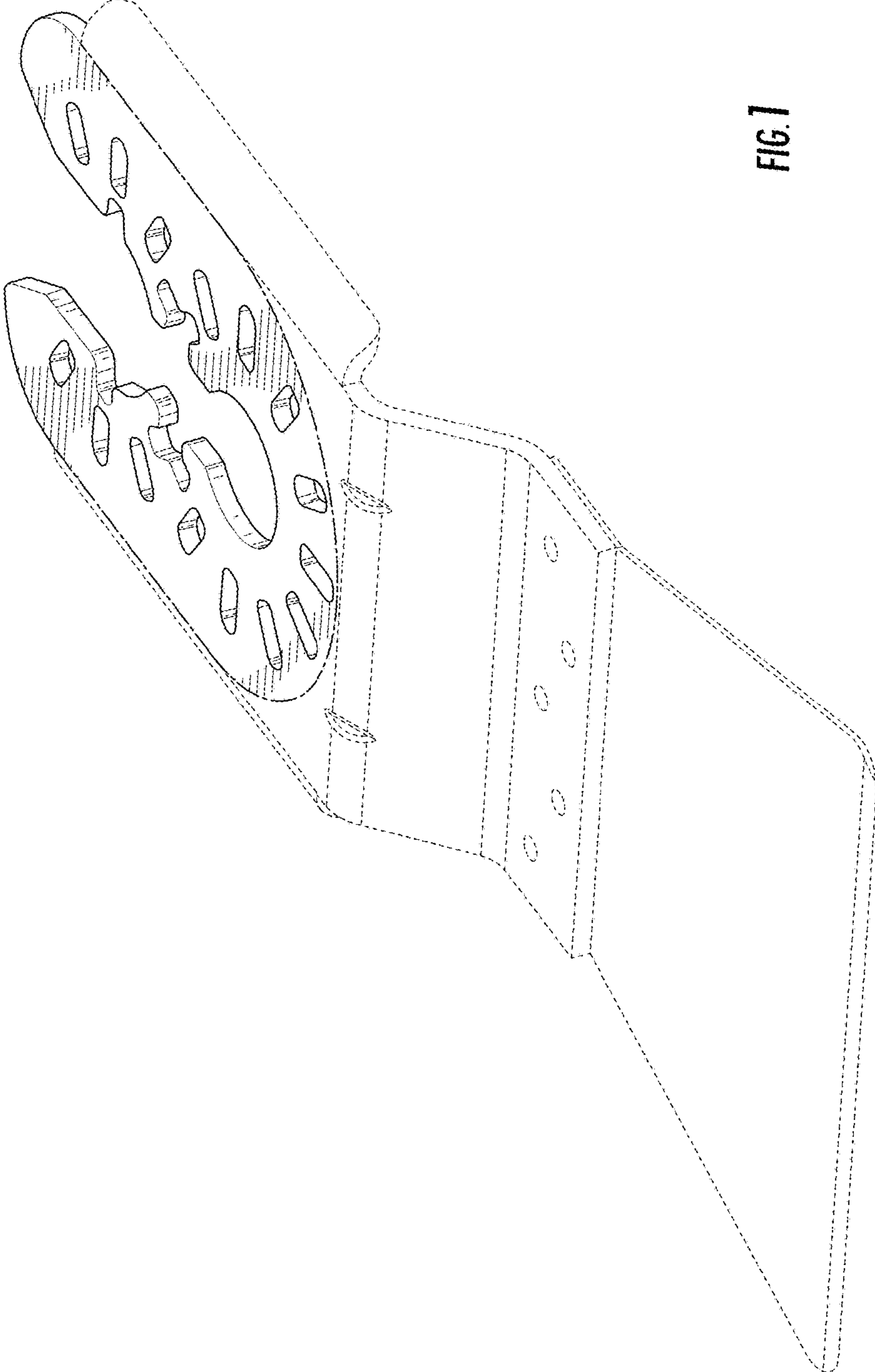


FIG. 1

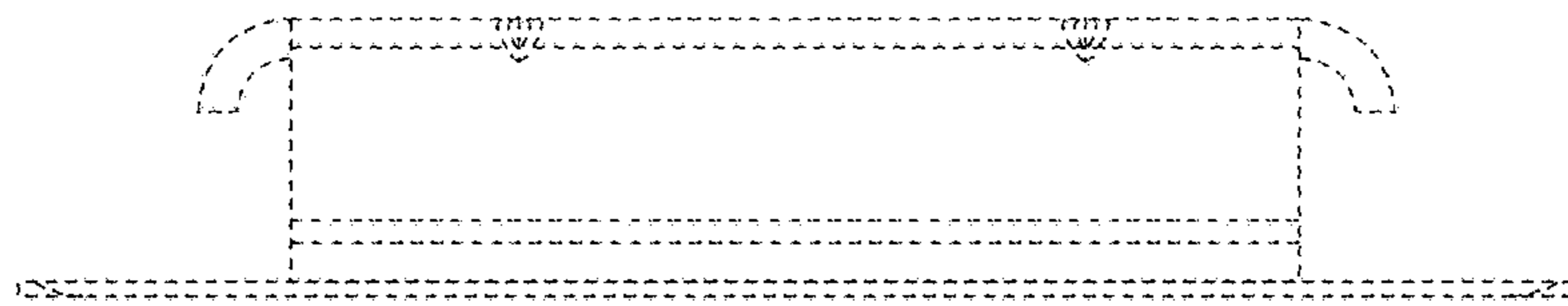


FIG. 2

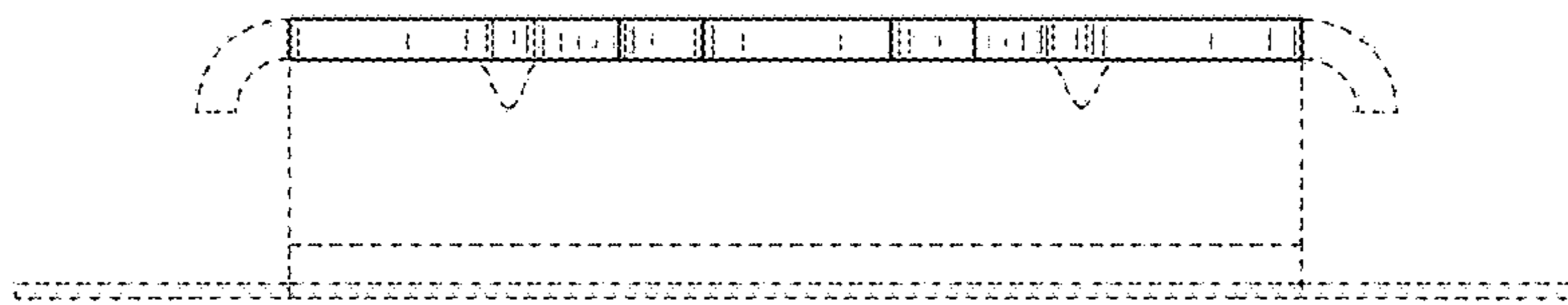


FIG. 3

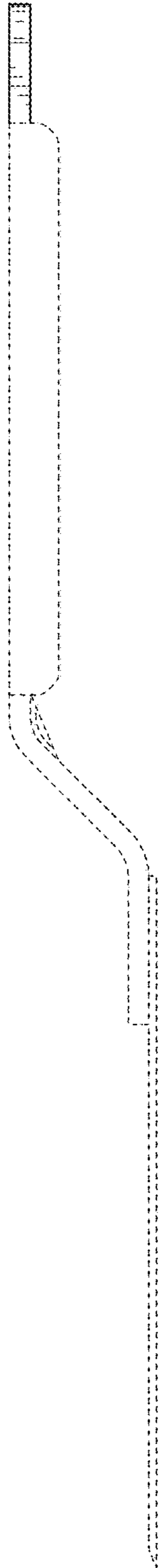


FIG. 4

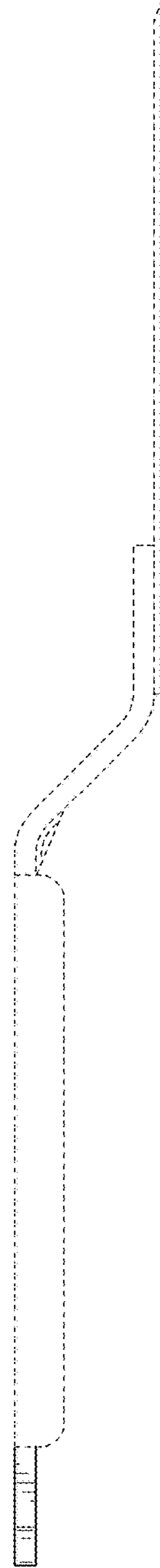


FIG. 5

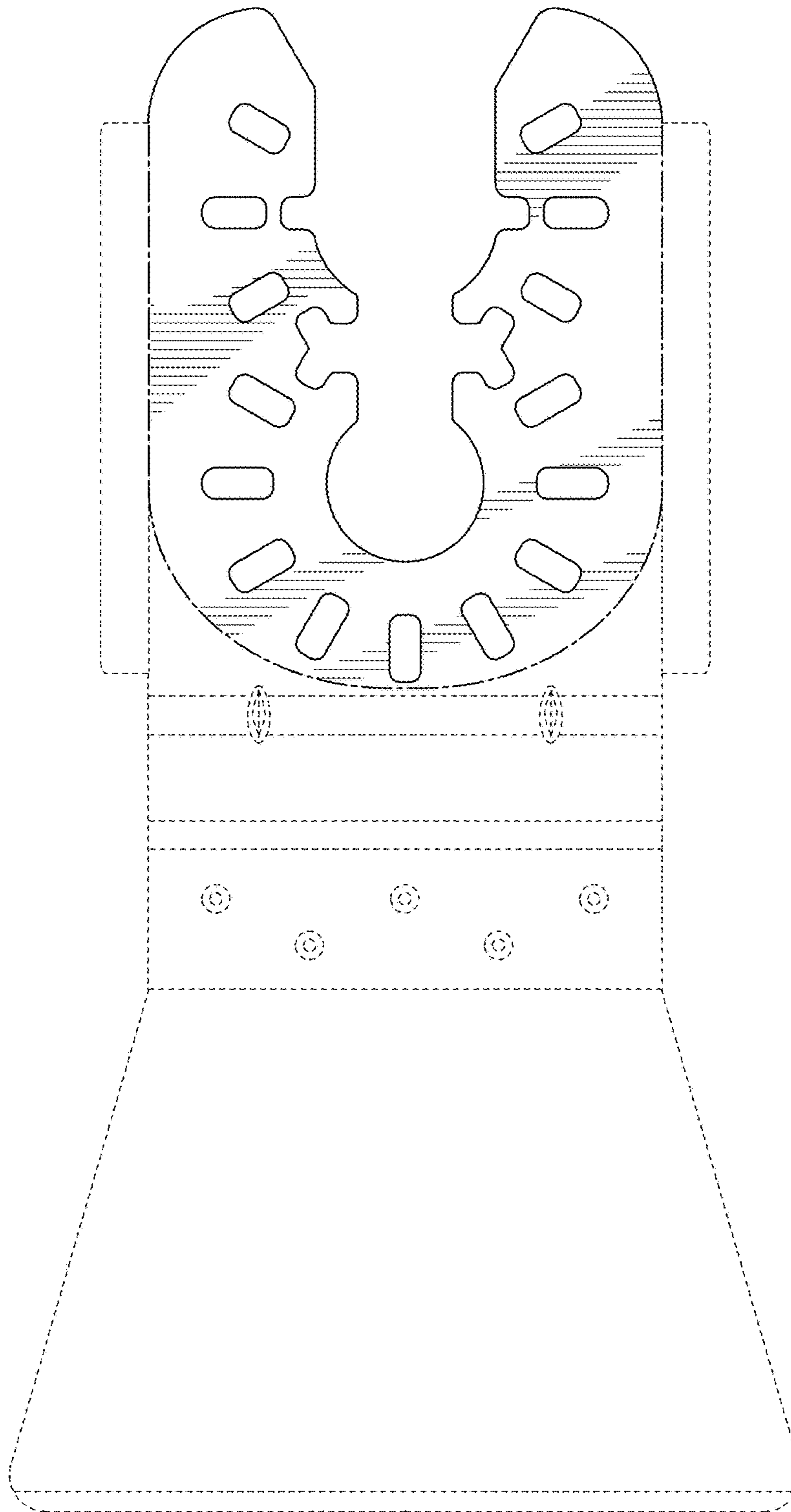


FIG. 6

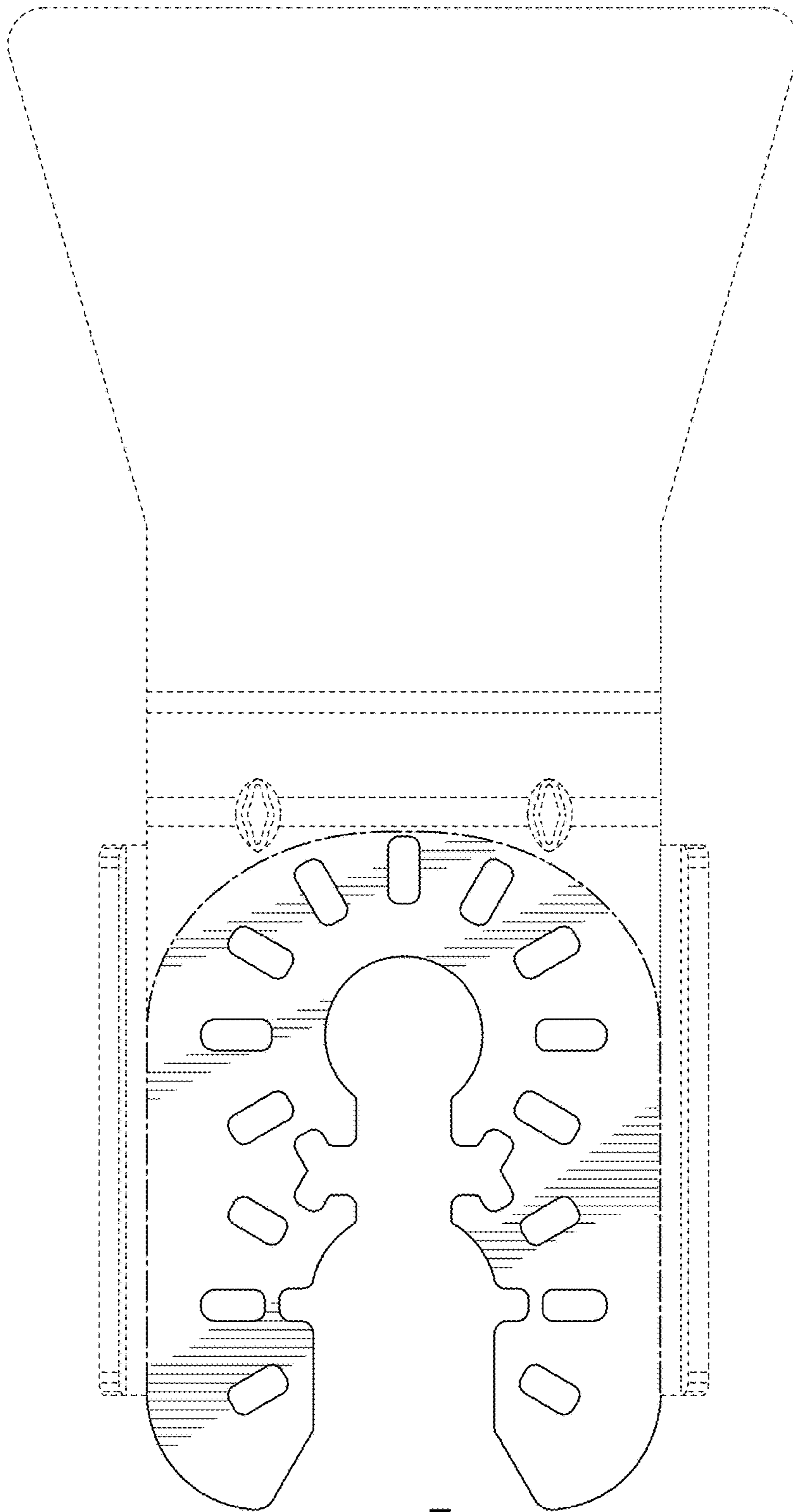


FIG. 7