



US00D817126S

(12) **United States Design Patent** (10) **Patent No.:** **US D817,126 S**
Gurwicz (45) **Date of Patent:** **** May 8, 2018**

(54) **LIGHT BULB CHANGER HEAD**

FOREIGN PATENT DOCUMENTS

(71) Applicant: **GR Ventures L.L.C.**, Northfield, NJ
(US)

AU 2005202235 A1 12/2005
GB 2278565 12/1994

(Continued)

(72) Inventor: **Joseph Gurwicz**, Egg Harbor
Township, NJ (US)

OTHER PUBLICATIONS

(73) Assignee: **JG Technologies LLC**, Northfield, NJ
(US)

Light Bulb Change patent—Goggle search—[https://www.google.com/search?q=light+bulb+changer+patent&newwl . . .](https://www.google.com/search?q=light+bulb+changer+patent&newwl...); 12 pages; Mar. 31, 2014.

(**) Term: **15 Years**

(Continued)

(21) Appl. No.: **29/567,650**

Primary Examiner — Phillip S Hyder

(22) Filed: **Jun. 10, 2016**

(74) *Attorney, Agent, or Firm* — Blank Rome LLP;
Michael C. Greenbaum; Tara L. Marcus

(51) **LOC (11) Cl.** **08-05**

(57) **CLAIM**

(52) **U.S. Cl.**

The ornamental design for the light bulb changer head, as shown and described.

USPC **D8/14**

(58) **Field of Classification Search**

DESCRIPTION

USPC D8/14; D23/260

CPC H01K 3/32; H01J 9/003; B25B 23/0028;

B25B 9/00

See application file for complete search history.

FIG. 1 is a perspective view of a light bulb changer head in accordance with a first embodiment of the present invention; FIG. 2 is a front elevational view of the light bulb changer head illustrated in FIG. 1; FIG. 3 is a rear elevational view of the light bulb changer head illustrated in FIG. 1; FIG. 4 is a left side elevational view of the light bulb changer head illustrated in FIG. 1; FIG. 5 is a right side elevational view of the light bulb changer head illustrated in FIG. 1; FIG. 6 is a top plan view of the light bulb changer head illustrated in FIG. 1; and, FIG. 7 is a bottom plan view of the light bulb changer head illustrated in FIG. 1.

(56) **References Cited**

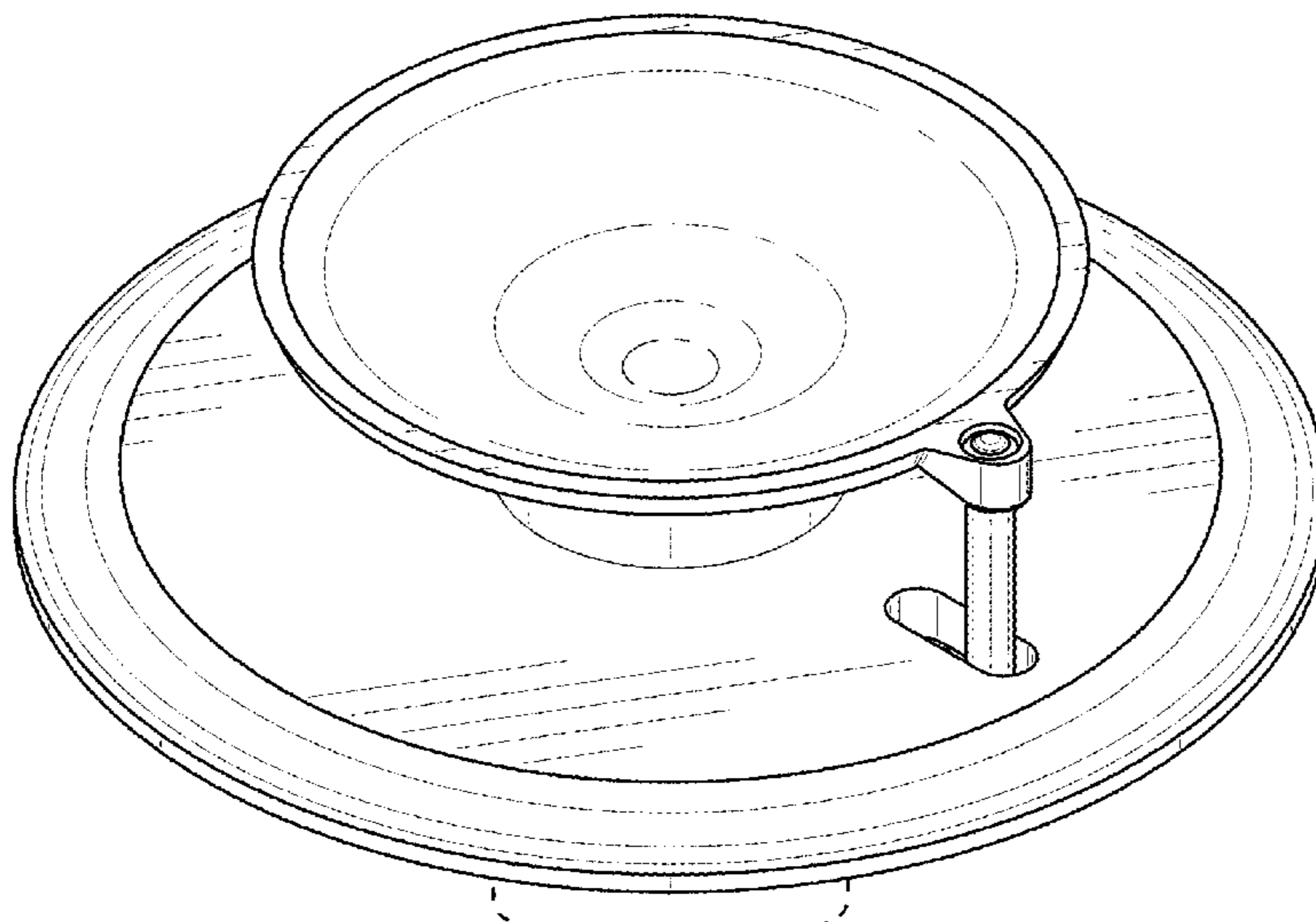
U.S. PATENT DOCUMENTS

363,332 A	5/1887	Hammer	
2,117,017 A	5/1938	Chadsey	
2,157,563 A *	5/1939	Pcthick	H01K 3/32
			294/184
2,634,998 A *	4/1953	Flower	H01K 3/32
			248/363
2,637,587 A	5/1953	Cecil	
2,722,448 A	11/1955	Popp	
2,766,060 A	10/1956	Fuller	
4,663,996 A	5/1987	Grudgfield	
4,664,899 A	5/1987	Kimmel et al.	
D297,499 S	9/1988	Whitney	
4,864,899 A	9/1989	Morse	

(Continued)

The broken lines depict portions of the light bulb changer head in which the design is embodied that are not considered part of the claimed design.

1 Claim, 7 Drawing Sheets



(56)

References Cited

U.S. PATENT DOCUMENTS

4,872,097	A	10/1989	Miller	
5,148,723	A *	9/1992	Newman, Sr.	H01K 3/32 81/53.11
5,218,889	A *	6/1993	Brockberg	H01J 9/003 81/53.11
D345,899	S	4/1994	Friend	
5,317,939	A	6/1994	Marinescu	
5,440,867	A	8/1995	Strus	
5,809,850	A	9/1998	Tickner	
6,223,628	B1	5/2001	Barron	
6,257,095	B1	7/2001	Yukness	
6,320,608	B1	11/2001	Yap et al.	
D484,013	S	12/2003	Alverson, Jr.	
D490,670	S	6/2004	Ball et al.	
7,143,668	B2	12/2006	Johnson et al.	
D544,007	S	6/2007	Marasco	
D544,605	S	6/2007	Marasco	
D545,333	S	6/2007	Clarke	
7,255,024	B2	8/2007	Johnson et al.	
7,270,031	B1	9/2007	Huls	
7,334,503	B1 *	2/2008	Newman	H01K 3/32 294/184
7,367,347	B2 *	5/2008	Field	A45B 7/00 135/66
7,562,605	B2	7/2009	Kunkel	
D610,887	S	3/2010	Vivatvanit	
8,274,241	B2	9/2012	Guest et al.	
D672,518	S	12/2012	Facteau et al.	
8,476,812	B2	7/2013	Chan et al.	
8,539,863	B2 *	9/2013	Gatski	H01K 3/32 81/53.11
8,546,362	B2	10/2013	Sulur et al.	
8,555,749	B2	10/2013	Gatski	
8,657,351	B2 *	2/2014	Johnson	A63F 9/0001 135/74

8,926,140	B2	1/2015	Wheelock	
9,070,544	B1	6/2015	Shaps et al.	
9,093,241	B1	7/2015	Gatski	
D745,347	S	12/2015	Gurwicz	
9,222,568	B2	12/2015	Schroedl	
9,613,794	B2 *	4/2017	Becker	H01K 3/32
2002/0117870	A1	8/2002	Cash	
2005/0178246	A1	8/2005	Johnson et al.	
2009/0141508	A1	6/2009	Peng et al.	
2010/0024606	A1	2/2010	Becker	
2010/0096992	A1	4/2010	Yamamoto et al.	
2011/0089830	A1	4/2011	Pickard et al.	
2012/0103141	A1	5/2012	Workman	
2012/0182737	A1	7/2012	Kuenzler et al.	
2013/0135888	A1	5/2013	Le Bars et al.	

FOREIGN PATENT DOCUMENTS

JP	668293	U	9/1994
JP	08161923	A	6/1996
JP	2011070784	A	4/2011
KR	20070107429	A	11/2007
WO	WO-8404627	A1	11/1984
WO	WO-2005112076	A2	11/2005

OTHER PUBLICATIONS

Cleaning Supplies/Cleaning Tools/Stickyfingers Bulb Changer—Pkg Q . . . ; <http://www.globalindustrial.com/p/janitorial-maintenance/cleaning-sup> . . . ; 2 pages; Mar. 31 2014.

Notification Concerning Transmittal of International Preliminary Report on Patentability, PCT/US2015/027935, dated Nov. 10, 2016.

Supplementary European Search Report, EP 15 78 5311, dated Jan. 9, 2017.

International Search Report and Written Opinion issued in PCT/US2017/018293 dated May 16, 2017.

* cited by examiner

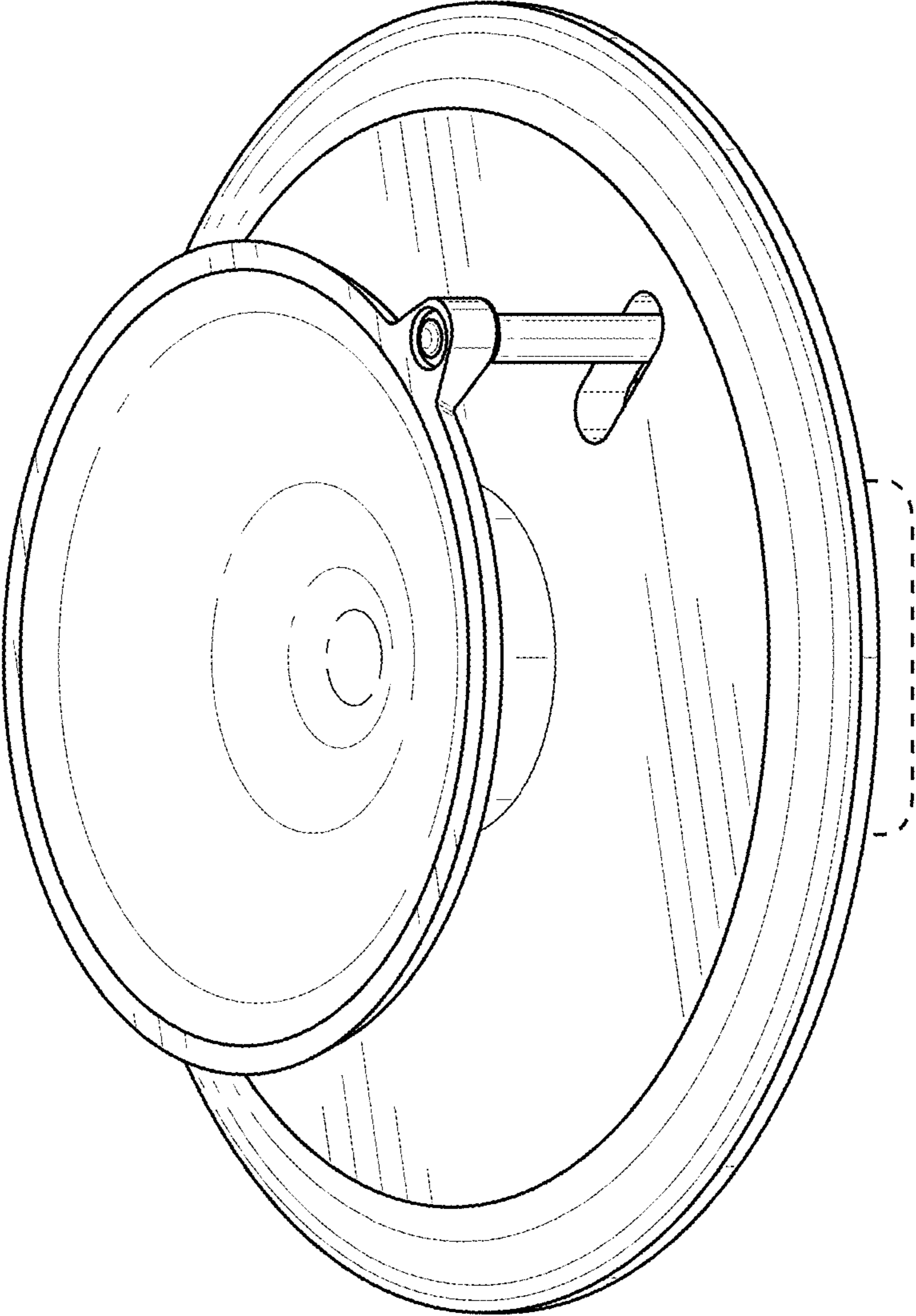


FIG. 1

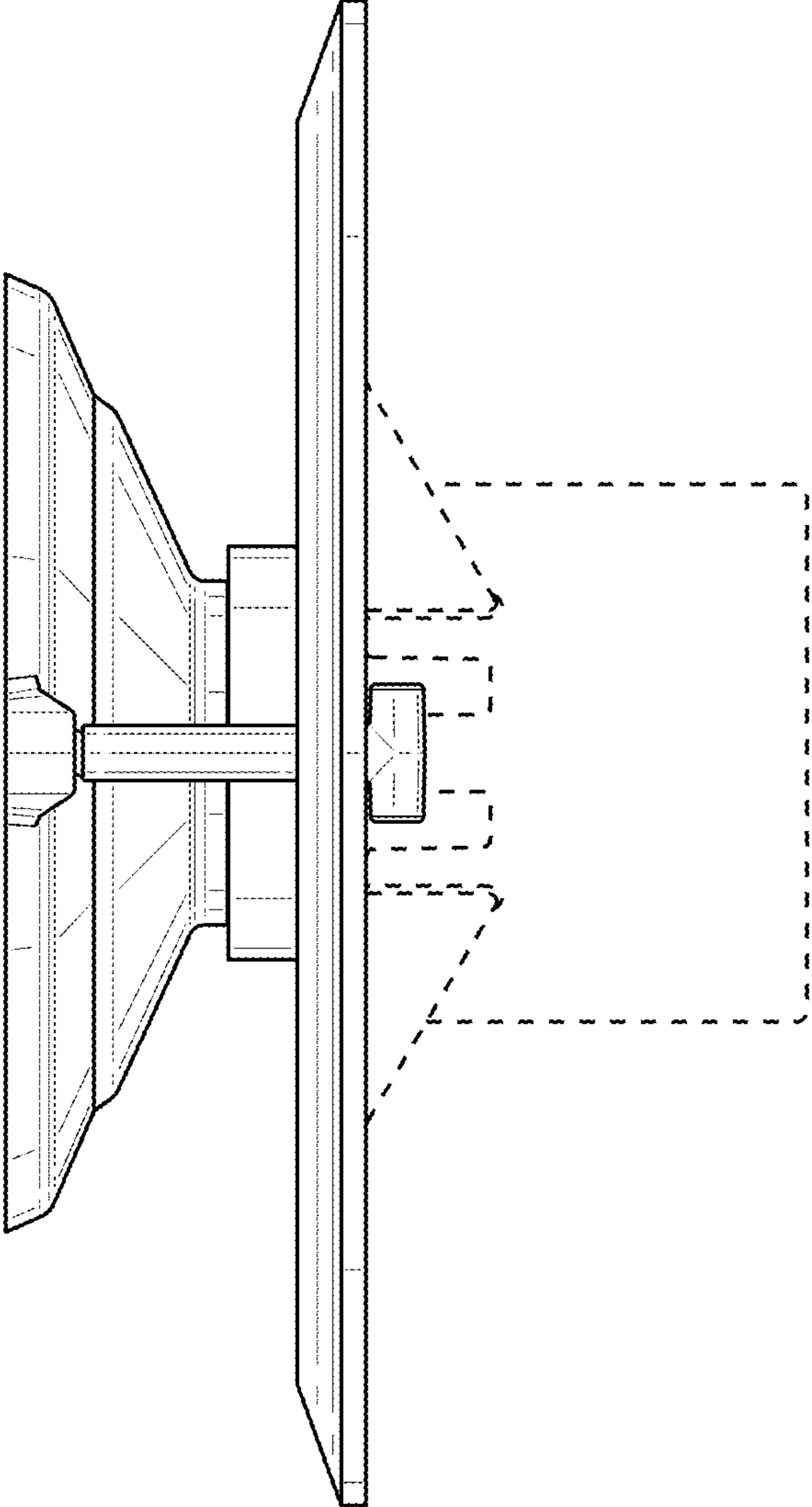


FIG. 2

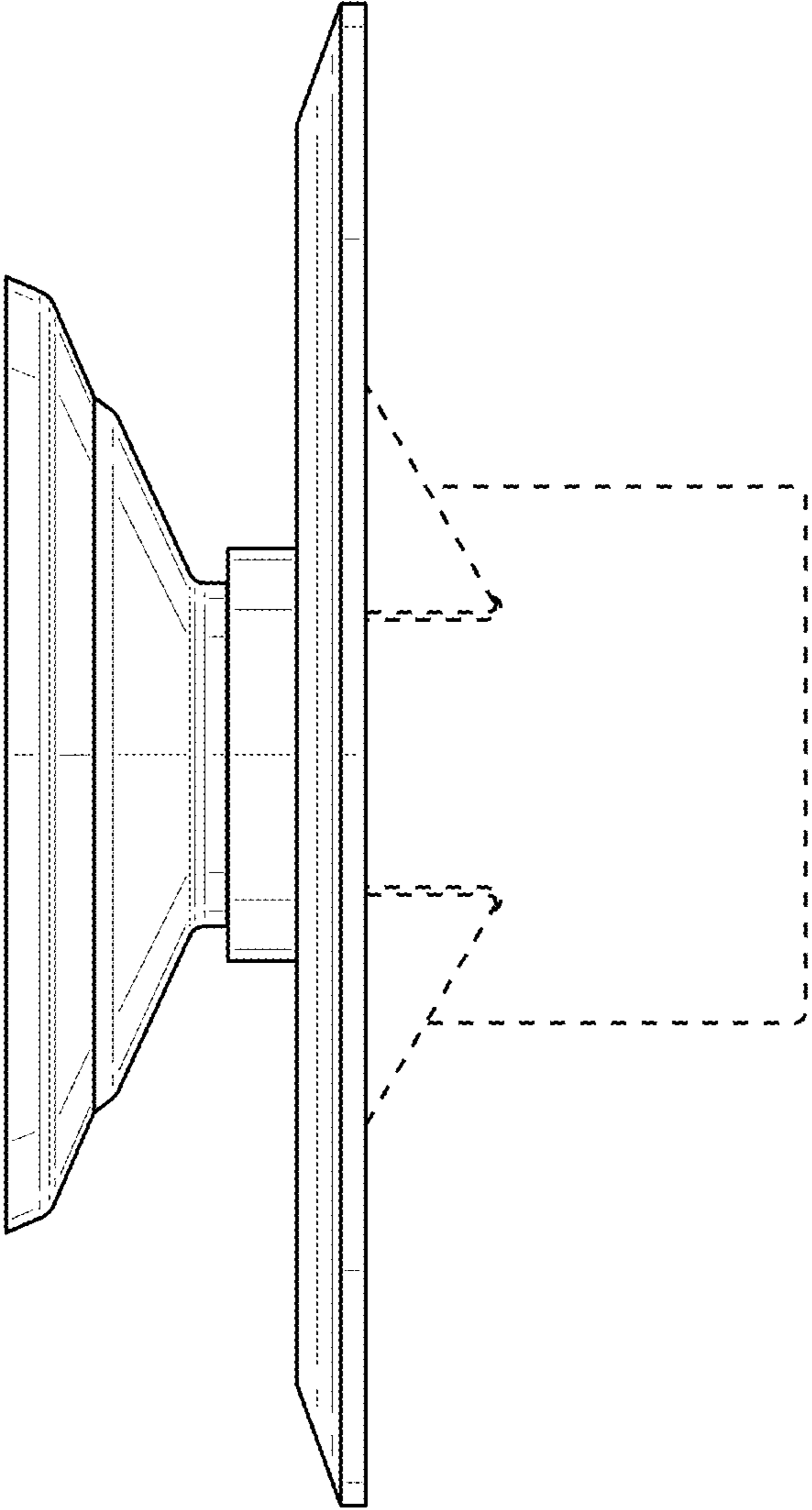


FIG. 3

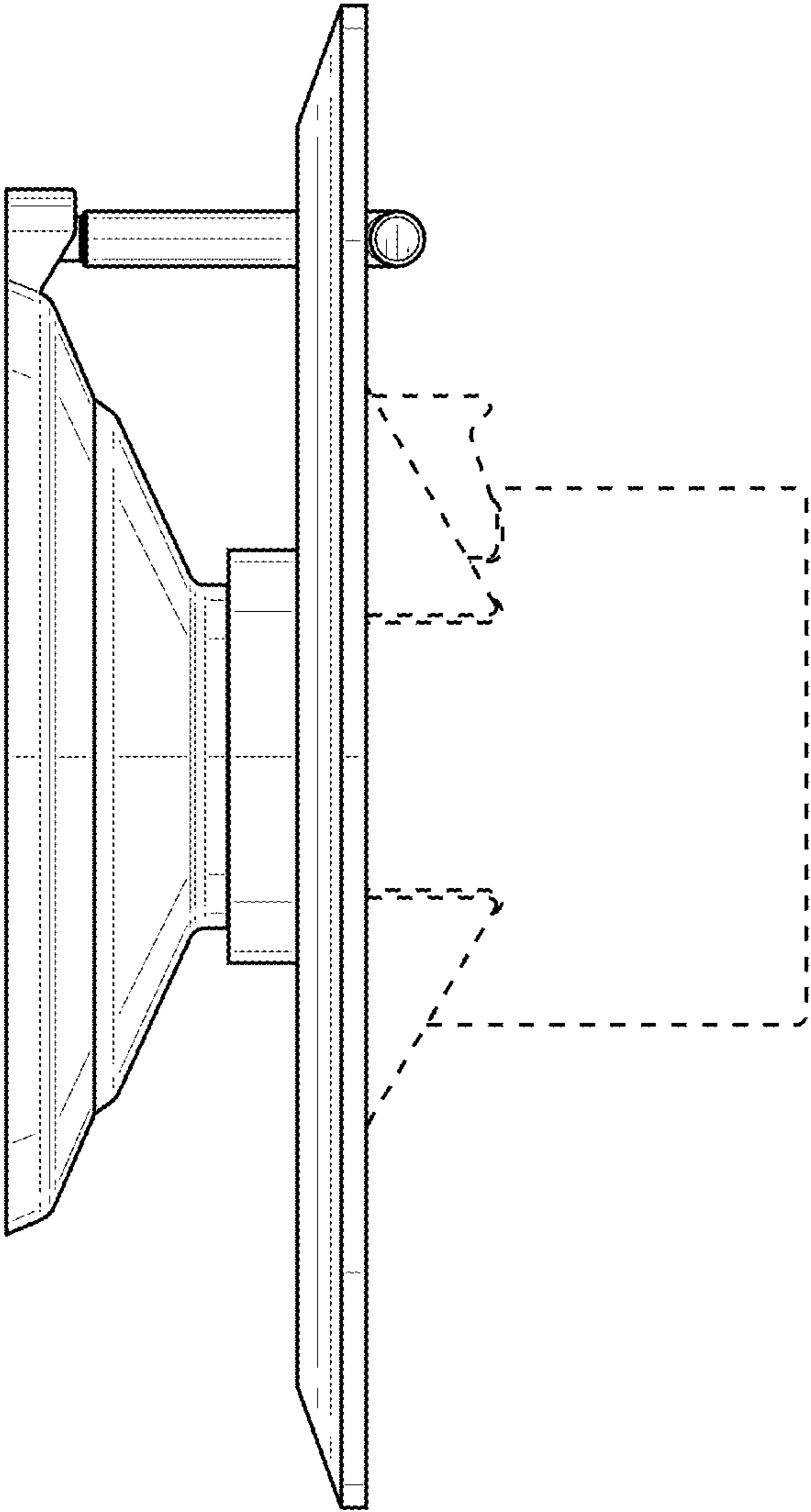


FIG. 4

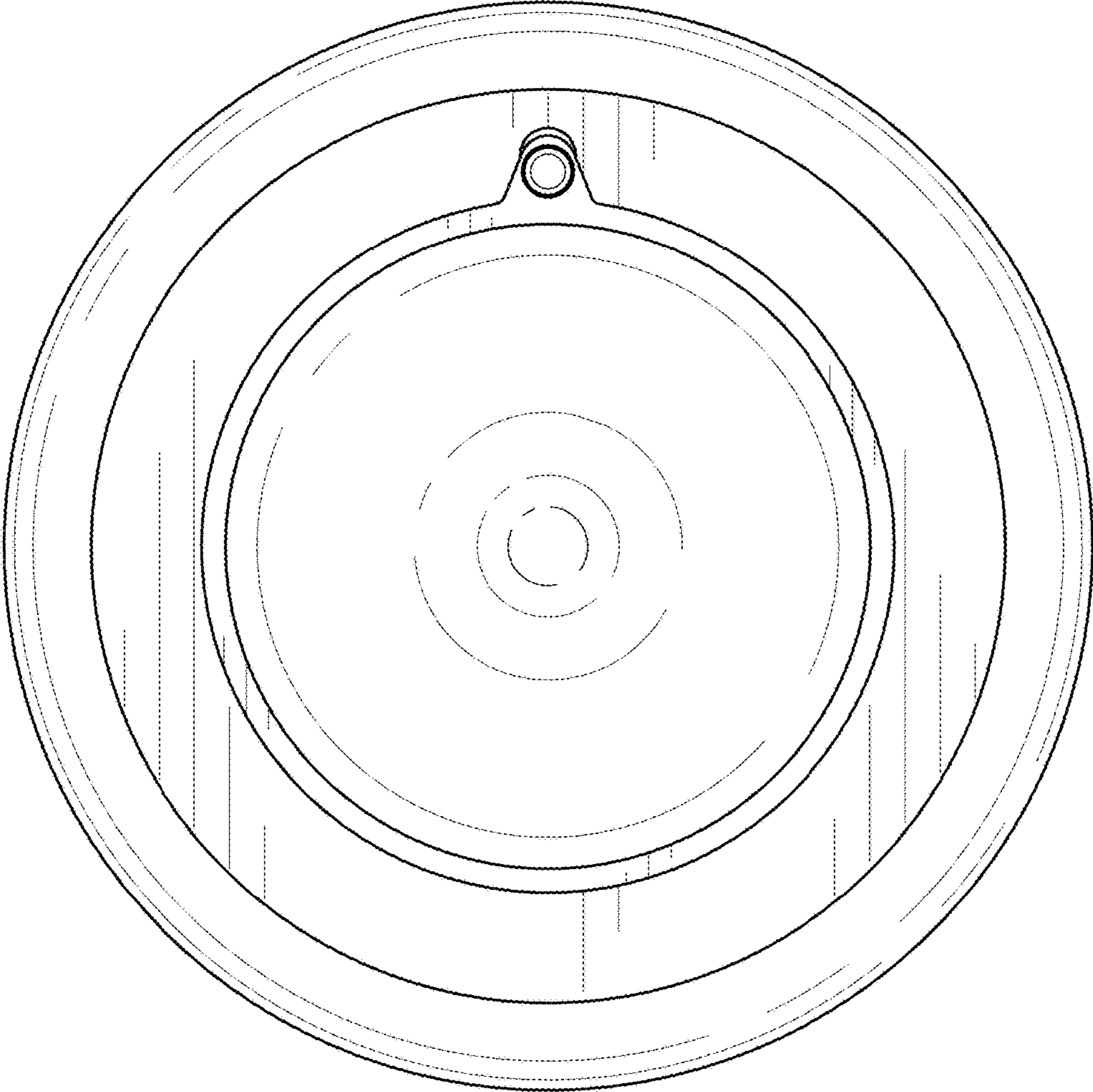


FIG. 6

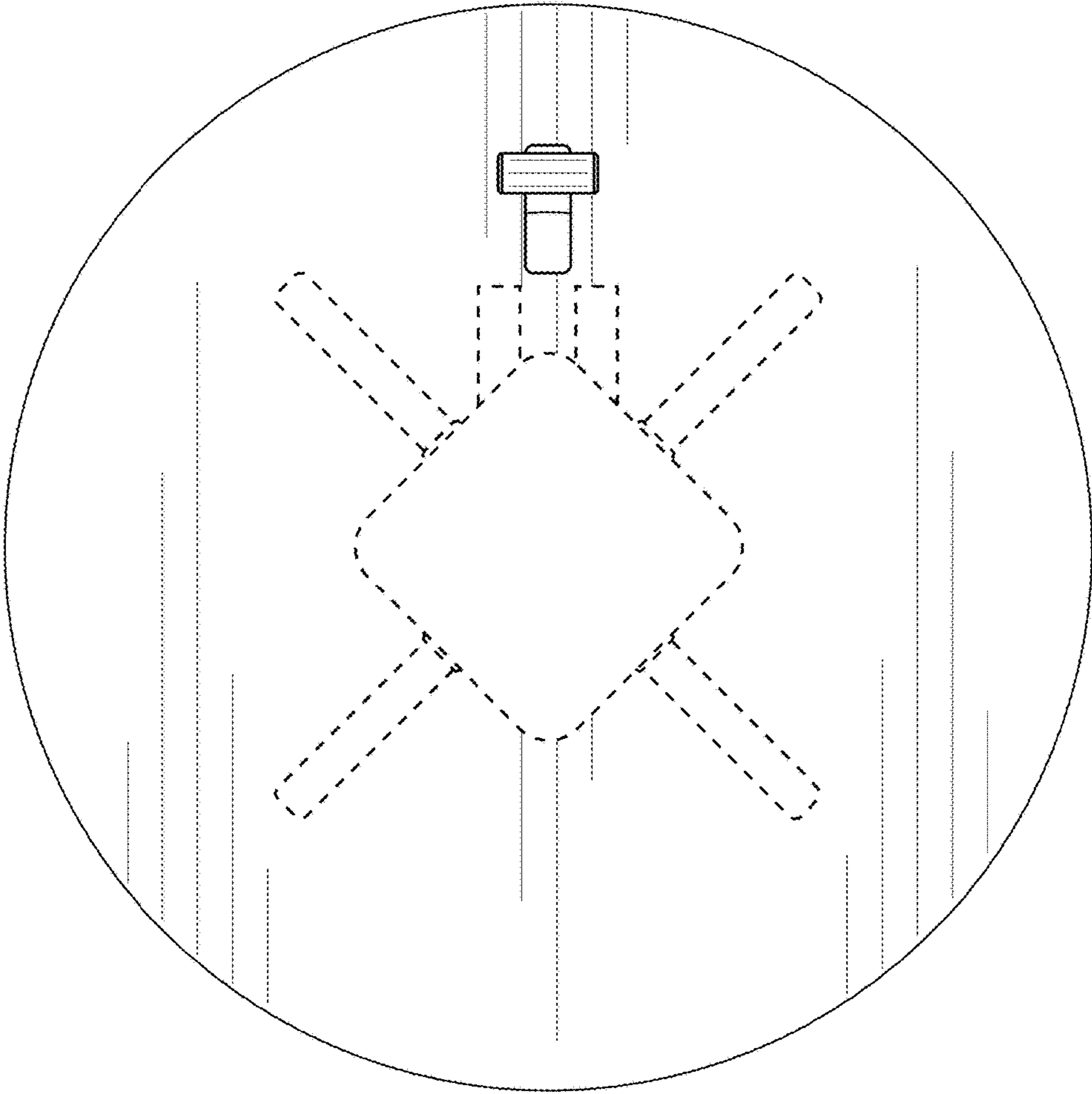


FIG. 7