



US00D817123S

(12) **United States Design Patent** (10) **Patent No.:** **US D817,123 S**
Johnsen et al. (45) **Date of Patent:** **** May 8, 2018**

(54) **KINDLING SPLITTER** 5,590,861 A * 1/1997 Ardolino A47G 23/0216
248/146
(71) Applicants: **Casey D Johnsen**, Portland, ME (US); D377,753 S * 2/1997 Meadows D8/373
Ryan Pierce, Windham, ME (US) D476,197 S * 6/2003 Kaposi D7/637
D662,364 S * 6/2012 Arote D7/601
(72) Inventors: **Casey D Johnsen**, Portland, ME (US); D676,883 S * 2/2013 Banjo D15/127
Ryan Pierce, Windham, ME (US) D696,093 S * 12/2013 Mackay-Sim D8/70
8,746,636 B2 * 6/2014 Rauchut B01F 15/00733
248/146

(**) **Term:** **15 Years**

(21) **Appl. No.:** **29/593,497**

(22) **Filed:** **Feb. 9, 2017**

(51) **LOC (11) Cl.** **08-01**

(52) **U.S. Cl.**
USPC **D8/7**

(58) **Field of Classification Search**
USPC D8/1, 7, 47, 71, 76; D15/28, 127
CPC B27L 7/00; B27L 7/005; B27L 7/06; B27L
7/08
See application file for complete search history.

(56) **References Cited**

U.S. PATENT DOCUMENTS

1,830,769 A * 11/1931 Rothermel A47G 7/025
248/154
2,203,632 A * 6/1940 Munson A47B 13/06
248/146
D137,862 S * 5/1944 Conant D6/677.2
2,576,832 A * 11/1951 Gilbson F17C 13/084
248/146
D211,747 S * 7/1968 Odell D8/7
3,545,709 A * 12/1970 Harvey B65F 1/141
248/146
D255,686 S * 7/1980 Duppong D15/139
D257,575 S * 12/1980 Ideen 254/104
D274,253 S * 6/1984 Harris D15/127
4,535,980 A * 8/1985 Jordan B27L 7/08
144/195.6
D351,774 S * 10/1994 Witt D8/71
D351,978 S * 11/1994 Tanzer D8/71
5,547,001 A * 8/1996 Cumming B27L 7/005
125/23.01

OTHER PUBLICATIONS

Kindling Cracker Firewood Kindling Splitter found on the website
http://www.northerntool.com/shop/tools/product_200647343_200647343, accessed on Dec. 7, 2016, 2 pages.
Splitter found on the website <http://www.amazon.com>, discovered
before Dec. 20, 2016, 2 pages.

* cited by examiner

Primary Examiner — Sandra S Snapp
Assistant Examiner — Ieisha N Price
(74) *Attorney, Agent, or Firm* — Chris A. Caseiro;
Caseiro Burke LLC

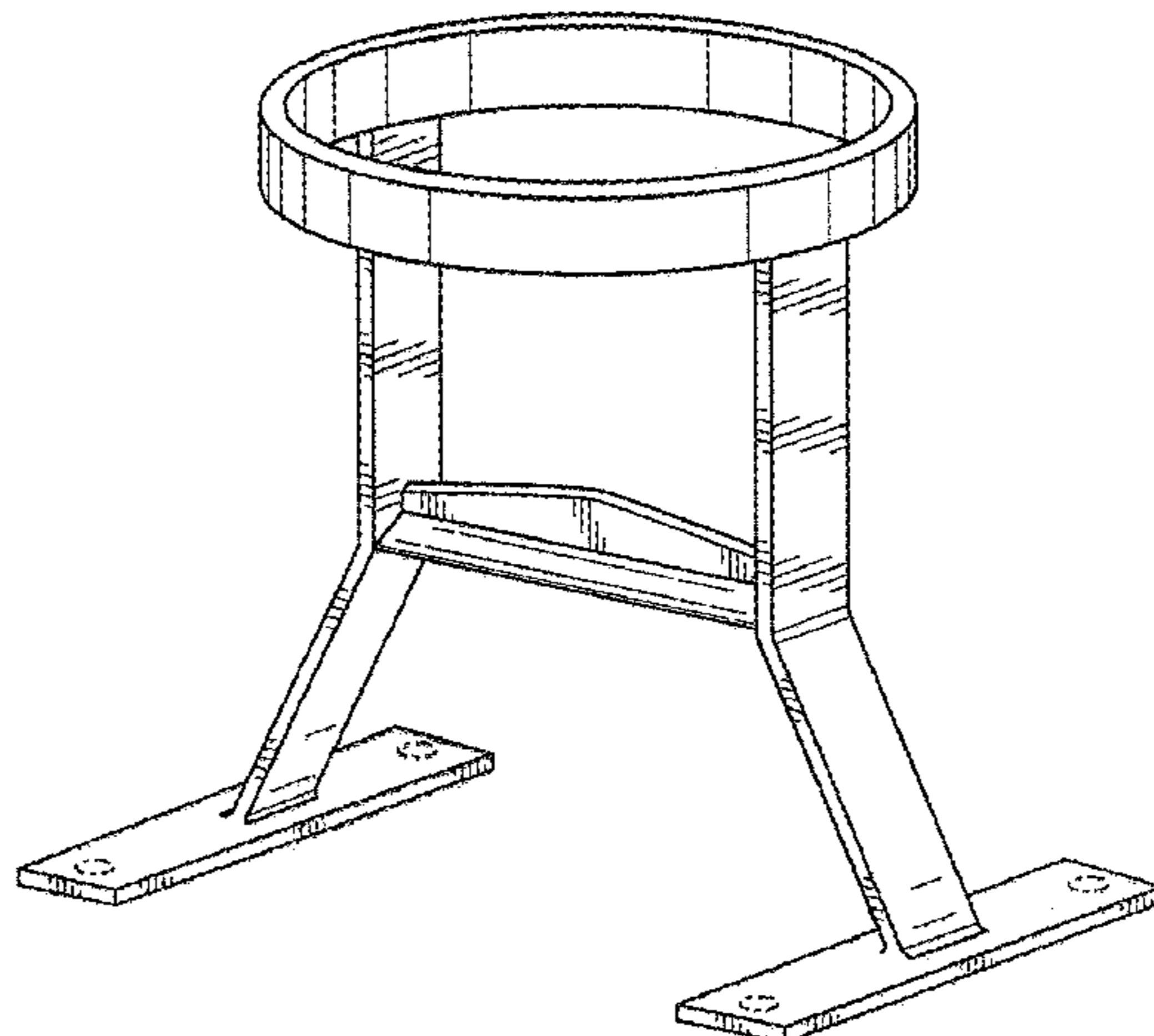
(57) **CLAIM**

The ornamental design for a kindling splitter, as shown and described.

DESCRIPTION

FIG. 1 is a perspective view of the kindling splitter invention according to our design;
FIG. 2 is a front view thereof, the opposing side being symmetrical;
FIG. 3 is a side view thereof, the opposing side being symmetrical;
FIG. 4 is a top view thereof; and,
FIG. 5 is a bottom view thereof.
The broken lines in FIGS. 1, 4 and 5 are for illustrative purposes only and form no part of the claimed design.

1 Claim, 4 Drawing Sheets



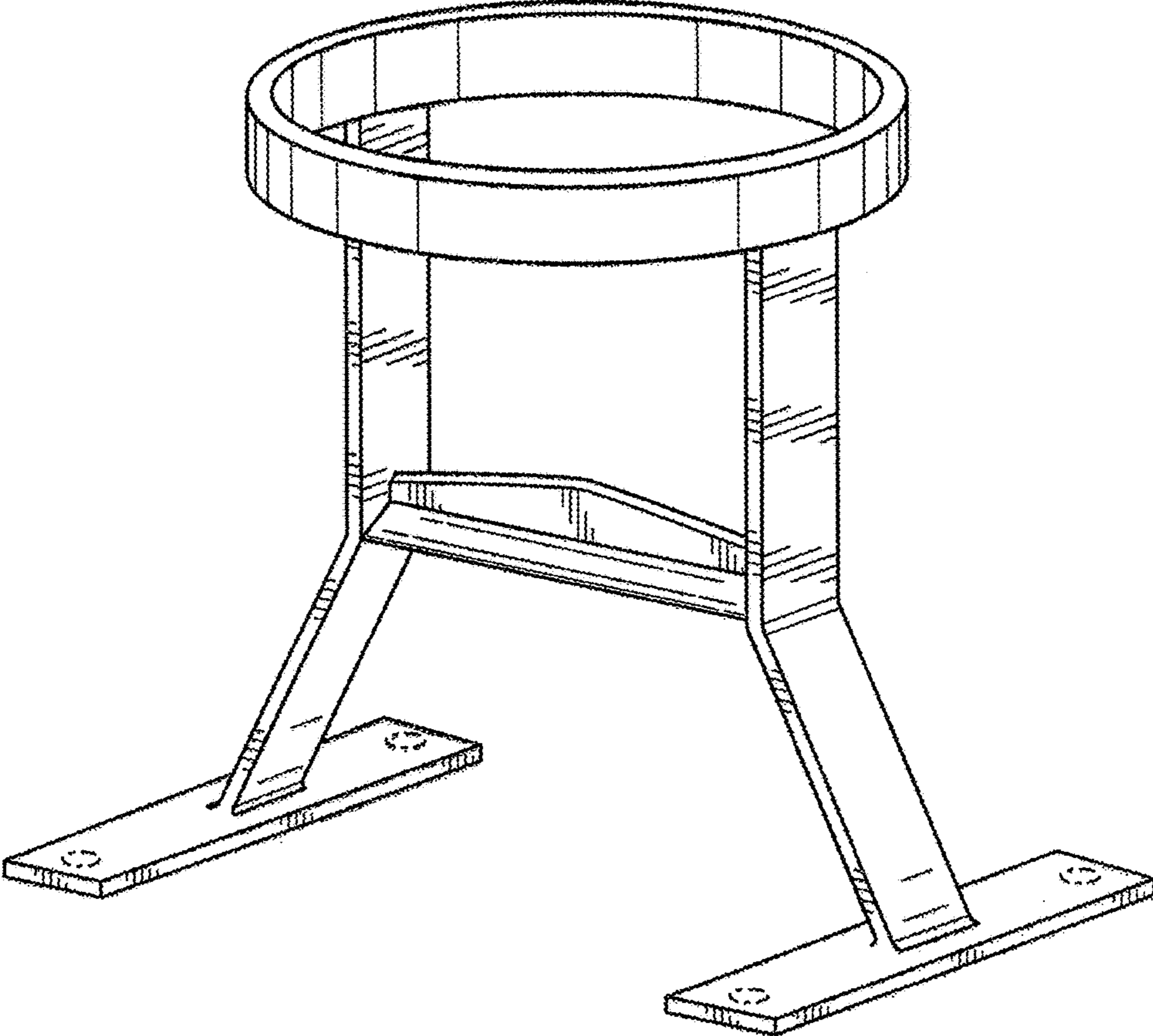


FIG. 1

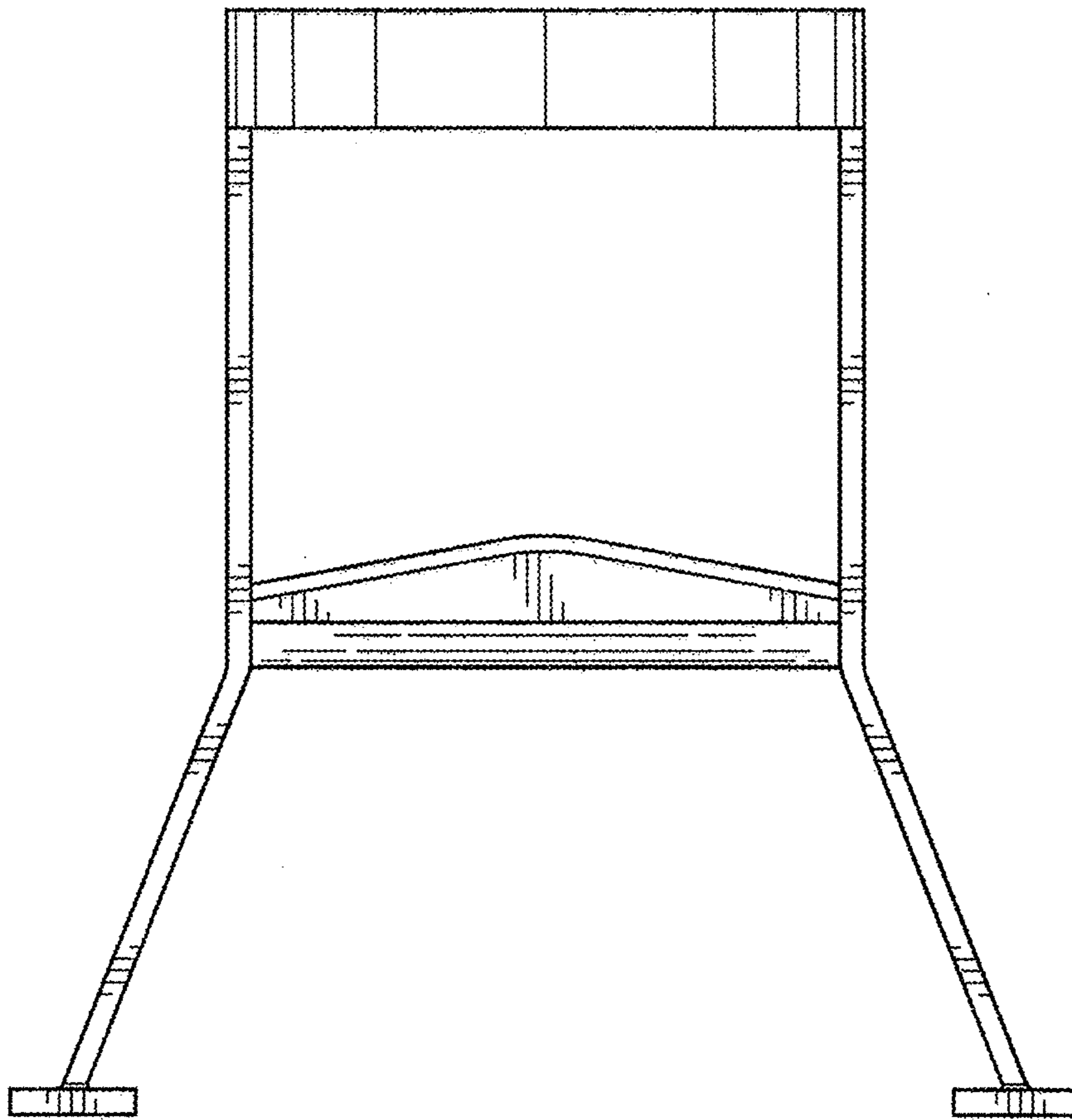


FIG. 2

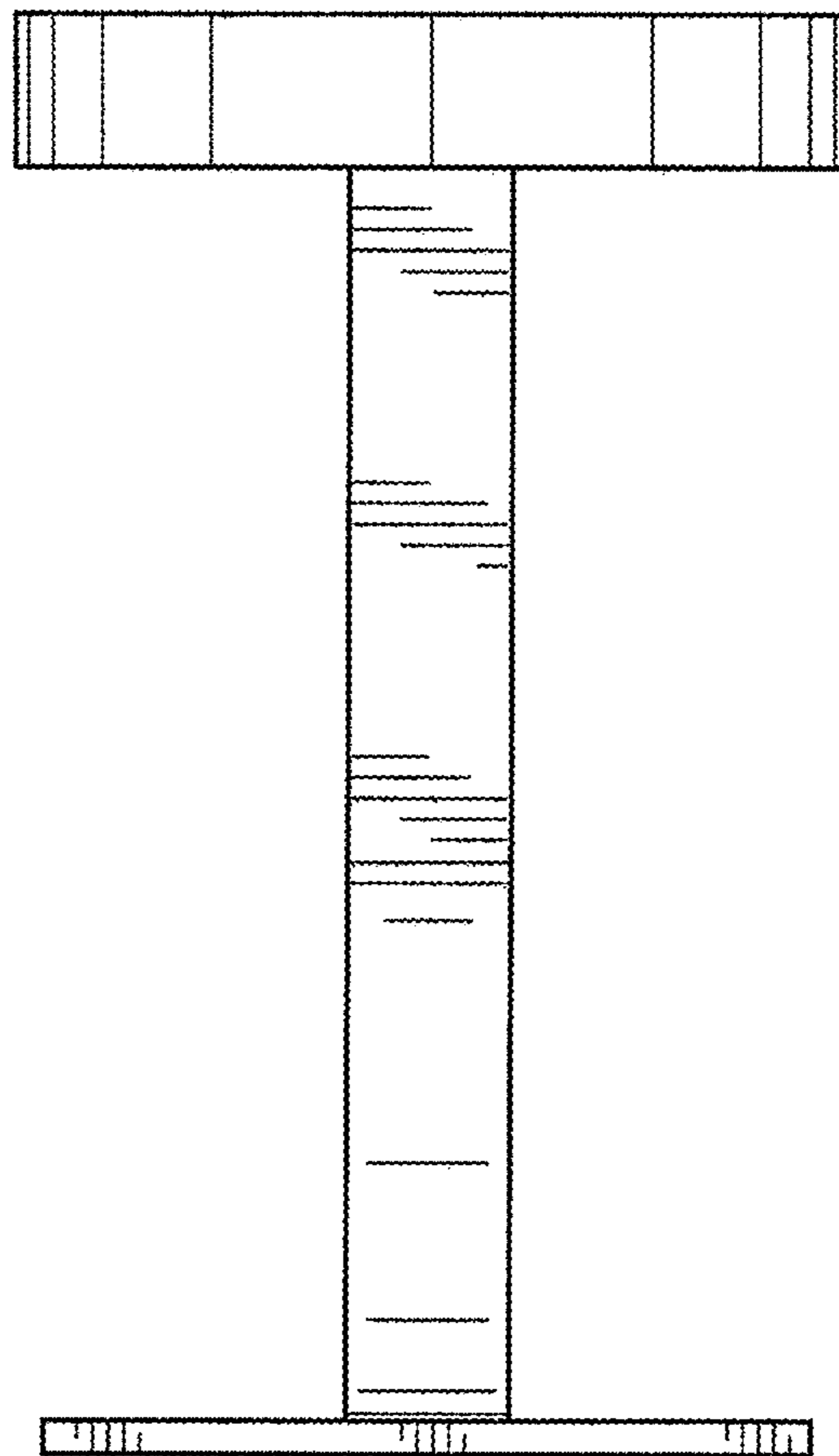


FIG. 3

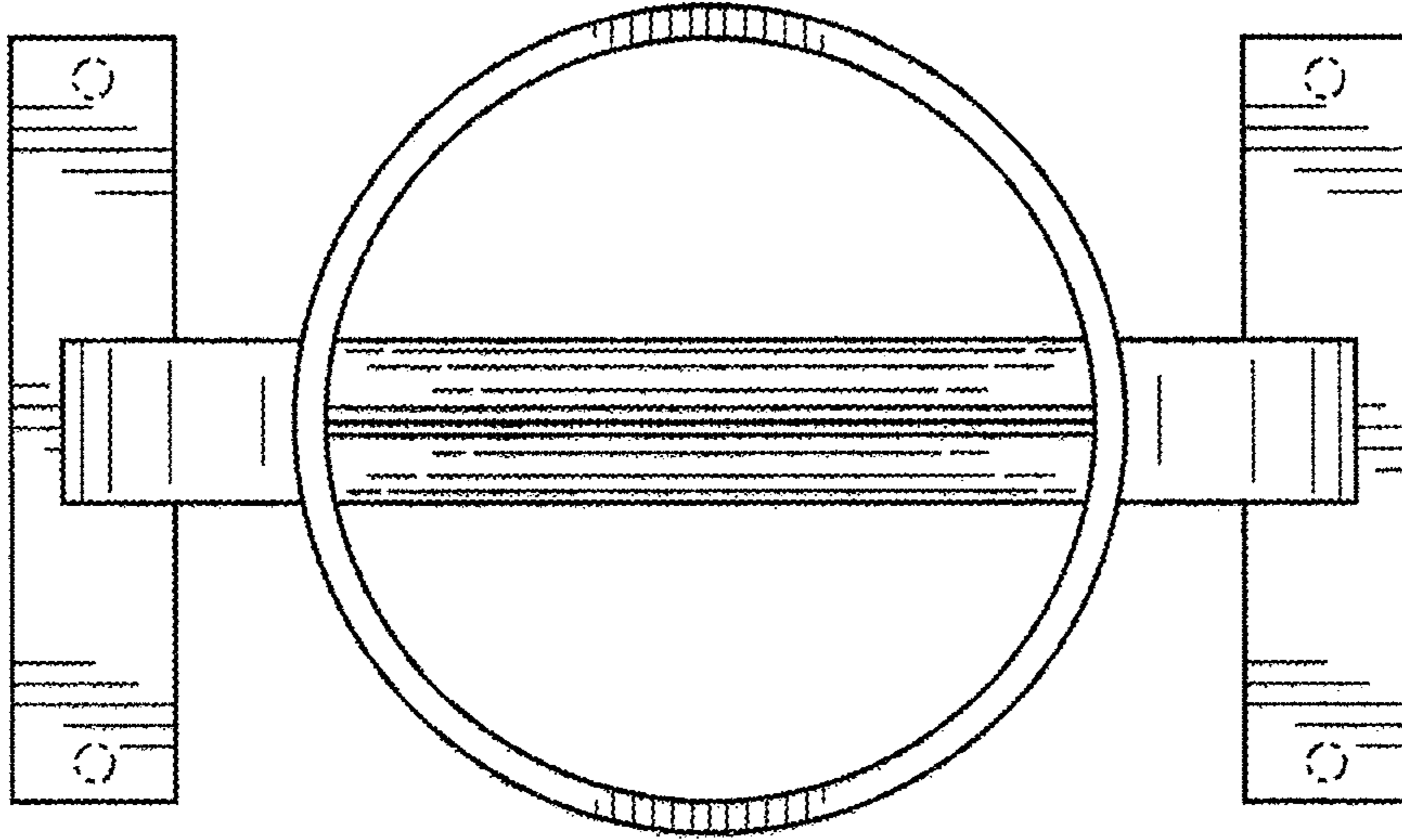


FIG. 4

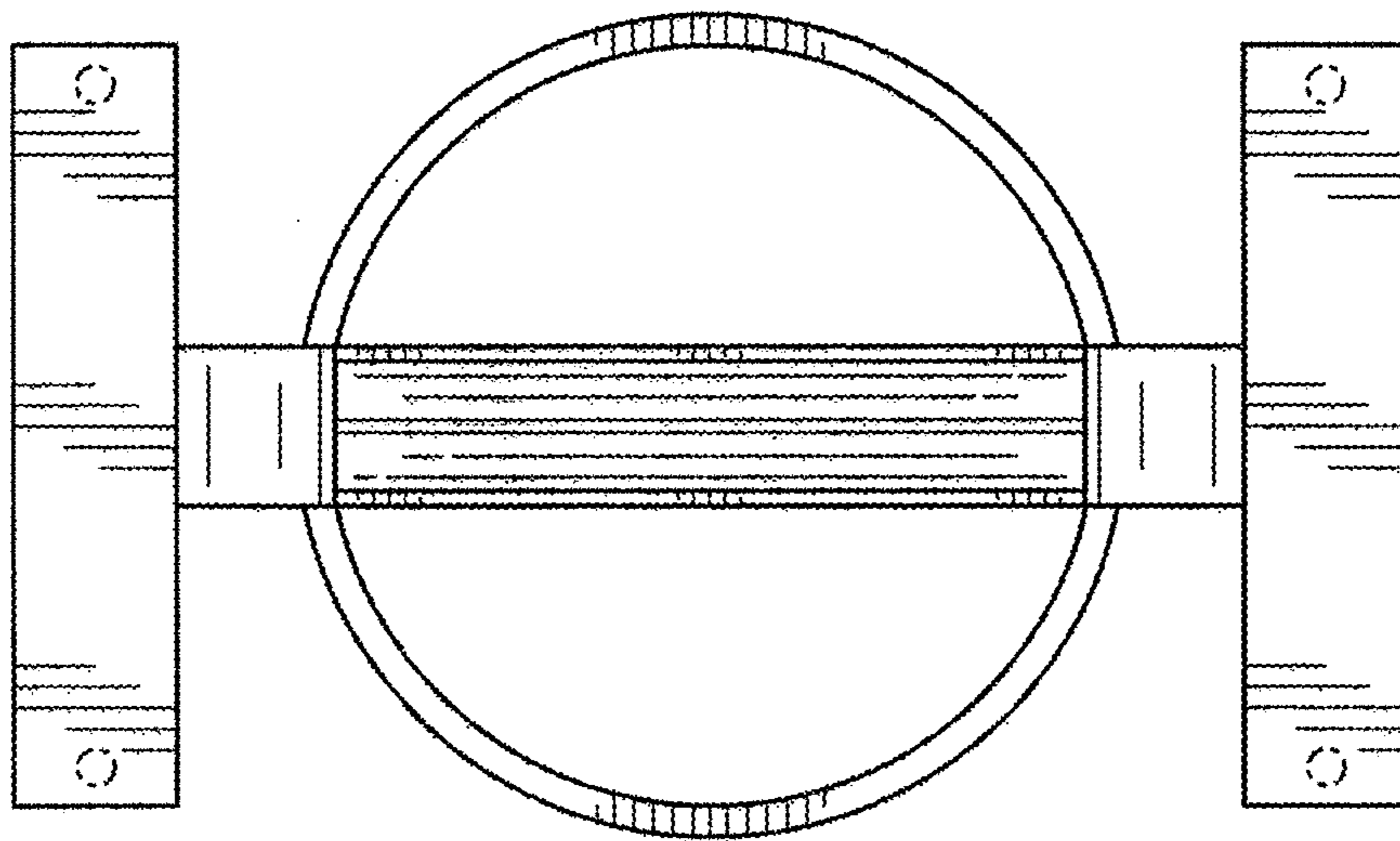


FIG. 5