



US00D817122S

(12) **United States Design Patent** (10) **Patent No.:** **US D817,122 S**
Ming (45) **Date of Patent:** **** May 8, 2018**

(54) **STAKE**

(71) Applicant: **Dyno Seasonal Solutions LLC**,
Pompano Beach, FL (US)

(72) Inventor: **Chan Chi Ming**, Sha Tin (HK)

(73) Assignee: **Dyno Seasonal Solutions LLC**,
Pompano Beach, FL (US)

(**) Term: **15 Years**

(21) Appl. No.: **29/583,561**

(22) Filed: **Nov. 7, 2016**

(51) **LOC (11) Cl.** **08-01**

(52) **U.S. Cl.**
USPC **D8/1; D25/131**

(58) **Field of Classification Search**
USPC D8/1; D26/138; D21/840; D25/131,
D25/126
CPC B05B 15/062; A01G 29/00; A01G 9/122;
A01G 9/128; E04H 15/62
See application file for complete search history.

(56) **References Cited**

U.S. PATENT DOCUMENTS

4,745,706	A *	5/1988	Muza	A01G 29/00
					47/47
D365,169	S *	12/1995	Fillipp	D21/718
5,570,952	A *	11/1996	Protz, Jr.	F21V 21/0824
					248/156
D378,980	S *	4/1997	Thayer	D21/840
D380,947	S *	7/1997	Adams	D21/840
D383,969	S *	9/1997	Adams	D21/840
5,881,495	A *	3/1999	Clark	A01G 9/12
					135/118

(Continued)

Primary Examiner — Sheryl Lane

(74) *Attorney, Agent, or Firm* — Greenburg Traurig, LLP;
David J. Dykeman; Joshua M. Herman

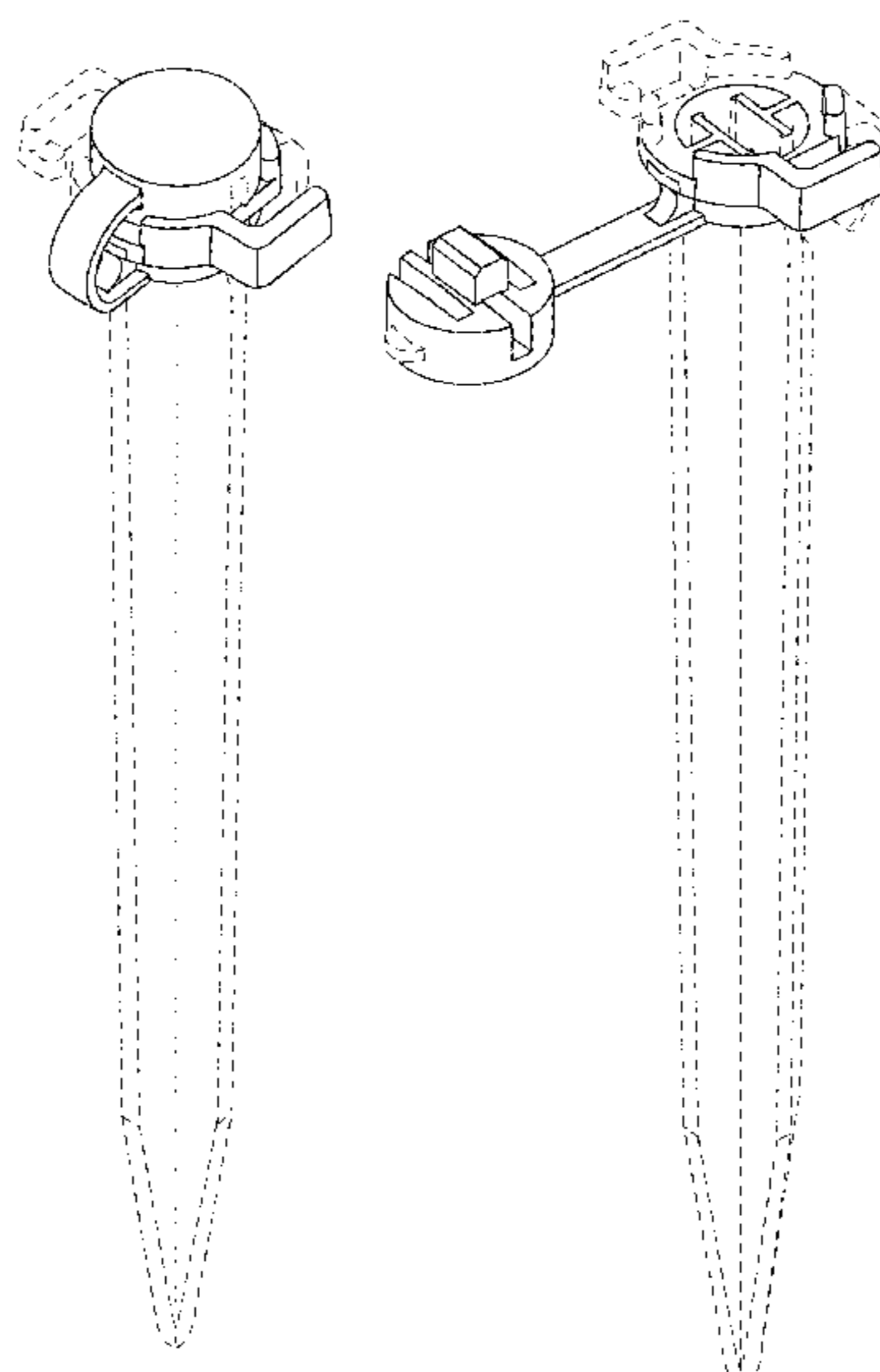
(57) **CLAIM**

The ornamental design for a stake, as shown and described.

DESCRIPTION

FIG. 1 is a top, rear perspective view of a stake in a closed position showing my new design;
 FIG. 2 is a top, front perspective view of the stake in a closed position shown in FIG. 1;
 FIG. 3 is a top view of the stake in a closed position shown in FIG. 1;
 FIG. 4 is a bottom view of the stake in a closed position shown in FIG. 1;
 FIG. 5 is a front view of the stake in a closed position shown in FIG. 1;
 FIG. 6 is a rear view of the stake in a closed position shown in FIG. 1;
 FIG. 7 is a left side view of the stake in a closed position shown in FIG. 1;
 FIG. 8 is a right side view of the stake in a closed position shown in FIG. 1;
 FIG. 9 is a top, rear perspective view of a stake in an open position showing my new design;
 FIG. 10 is a top, front perspective view of the stake in an open position shown in FIG. 9;
 FIG. 11 is a top view of the stake in an open position shown in FIG. 9;
 FIG. 12 is a bottom view of the stake in an open position shown in FIG. 9;
 FIG. 13 is a front view of the stake in an open position shown in FIG. 9;
 FIG. 14 is a rear view of the stake in an open position shown in FIG. 9;
 FIG. 15 is a left side view of the stake in an open position shown in FIG. 9; and,
 FIG. 16 is a right side view of the stake in an open position shown in FIG. 9.
 The broken lines are included to show features that form no part of the claimed design.

1 Claim, 10 Drawing Sheets



(56)

References Cited

U.S. PATENT DOCUMENTS

D469,566 S * 1/2003 Gary F21V 21/0824
D26/138
D491,029 S * 6/2004 Atkins D8/1
6,938,384 B1 * 9/2005 Hodge E04H 15/62
135/118
D549,853 S * 8/2007 Walker D25/131
D553,919 S * 10/2007 Gross D8/1
D579,585 S * 10/2008 Walker D25/131
D626,799 S * 11/2010 Charette D8/1
D626,800 S * 11/2010 Charette D8/1
D626,802 S * 11/2010 Charette D8/1
D630,066 S * 1/2011 Charette D8/1
D631,308 S * 1/2011 Charette D8/1
D651,486 S * 1/2012 Li D8/1
D654,335 S * 2/2012 Evans D8/1
D655,584 S * 3/2012 Katzin D8/1
D674,256 S * 1/2013 Charette D8/1
D682,054 S * 5/2013 Gary D8/1
D702,515 S * 4/2014 Garber D8/1

* cited by examiner

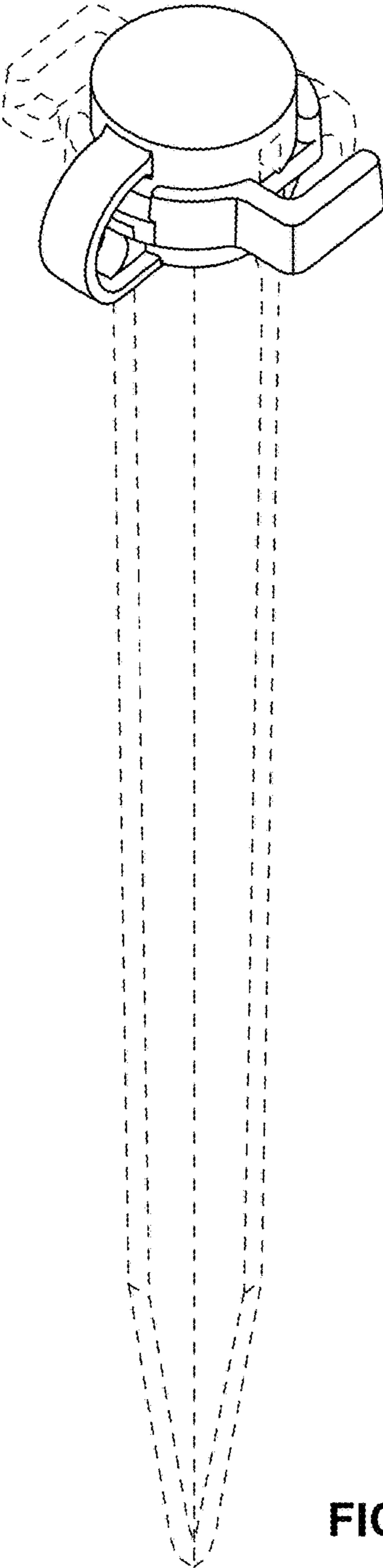


FIG. 1

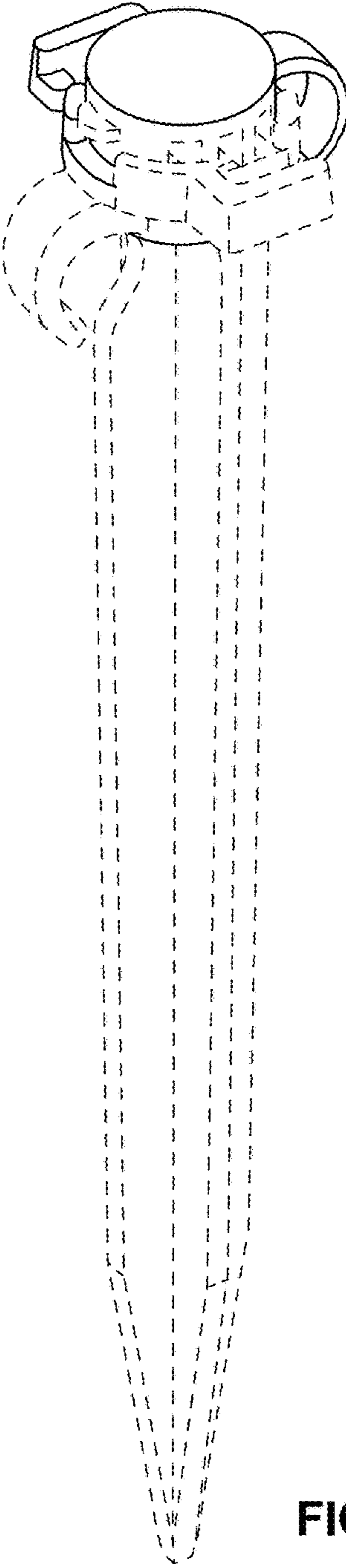


FIG. 2

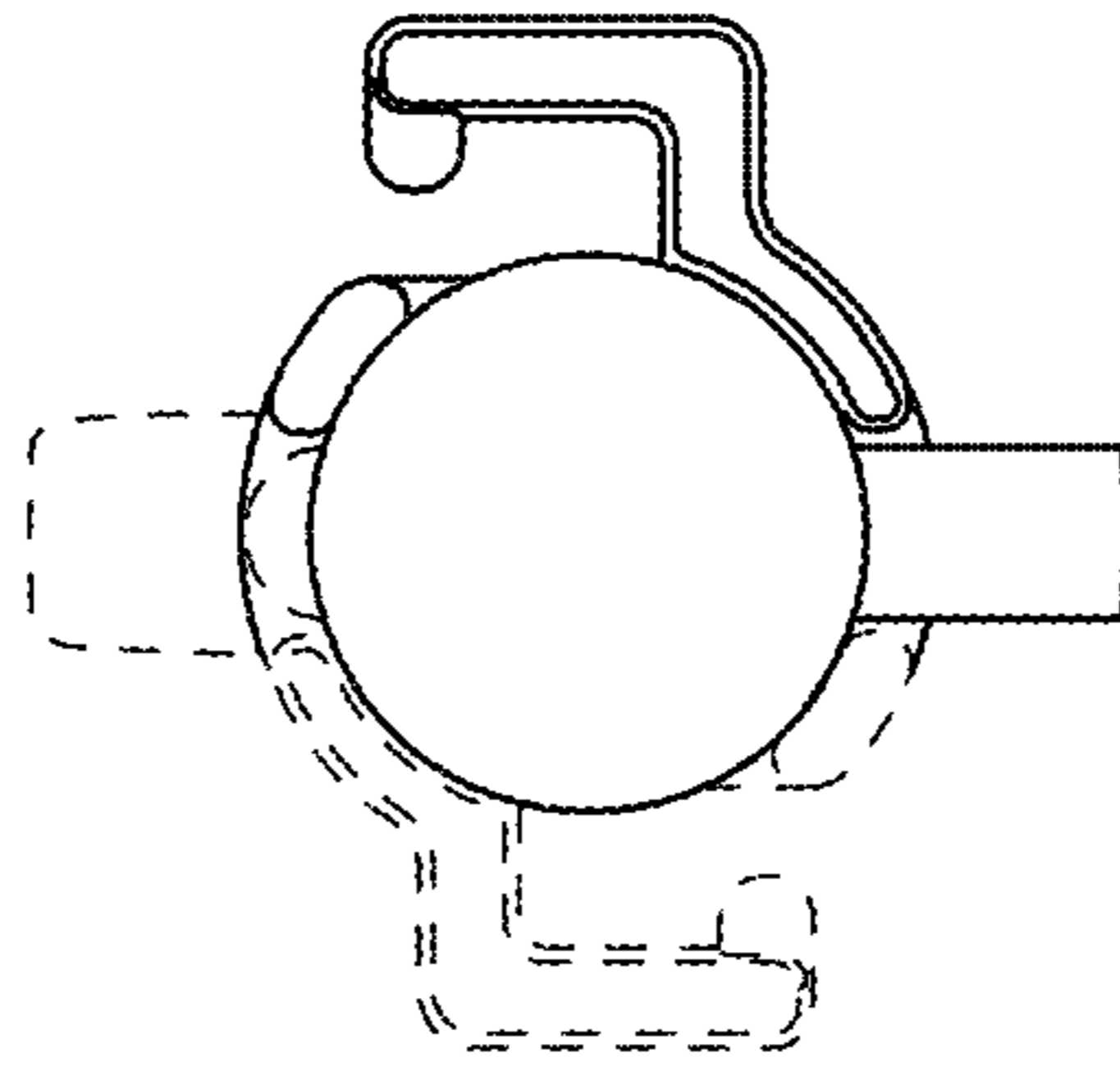


FIG. 3

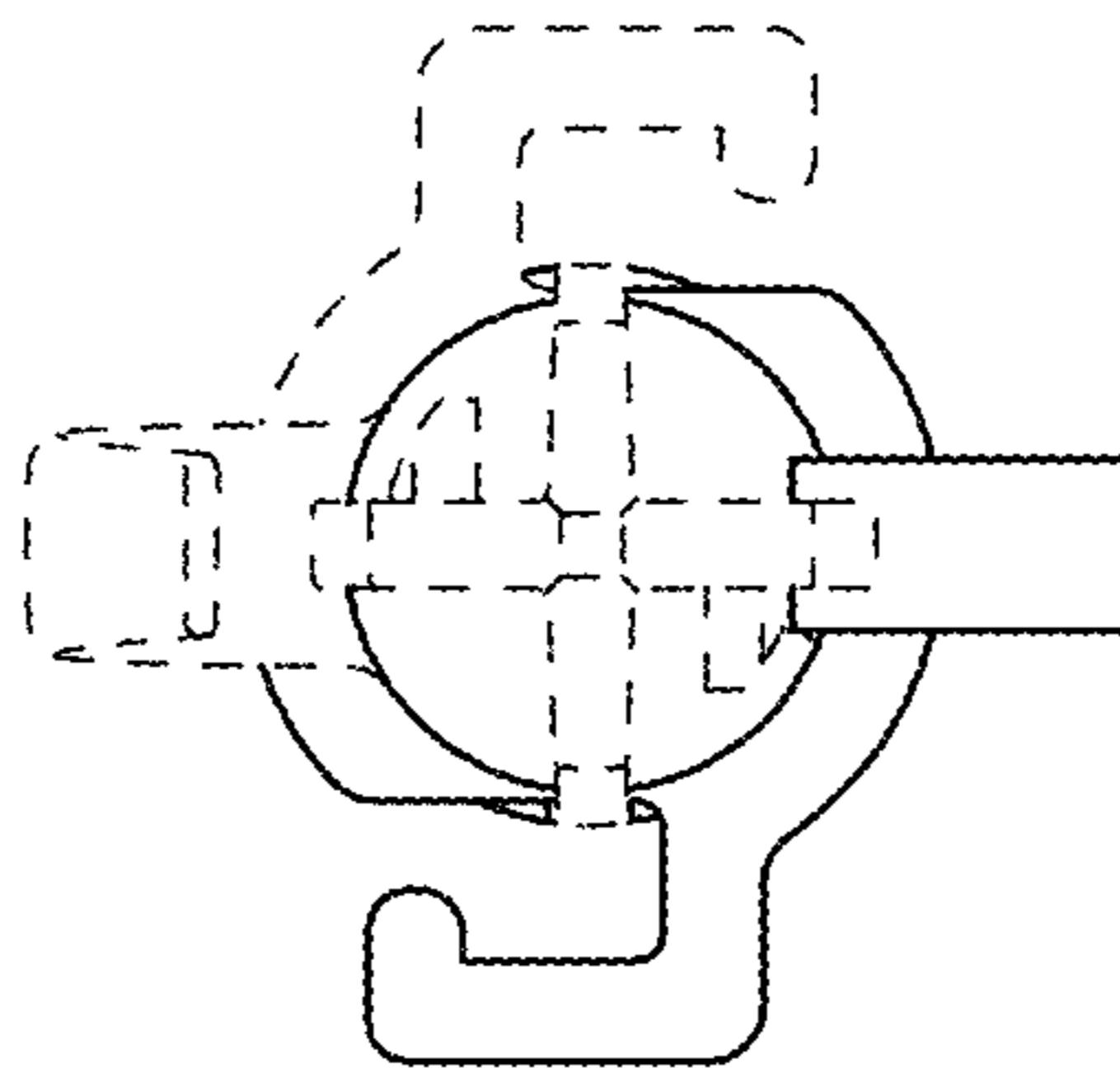


FIG. 4

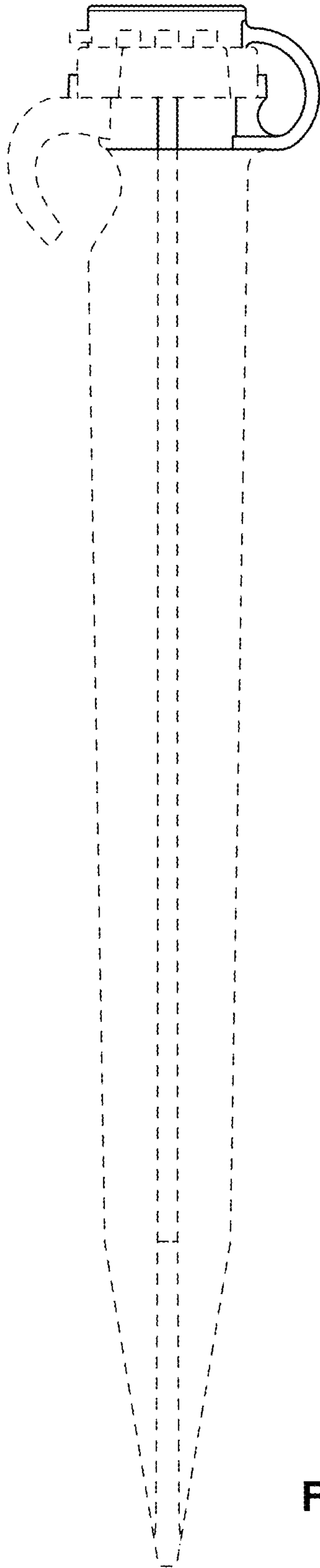


FIG. 5

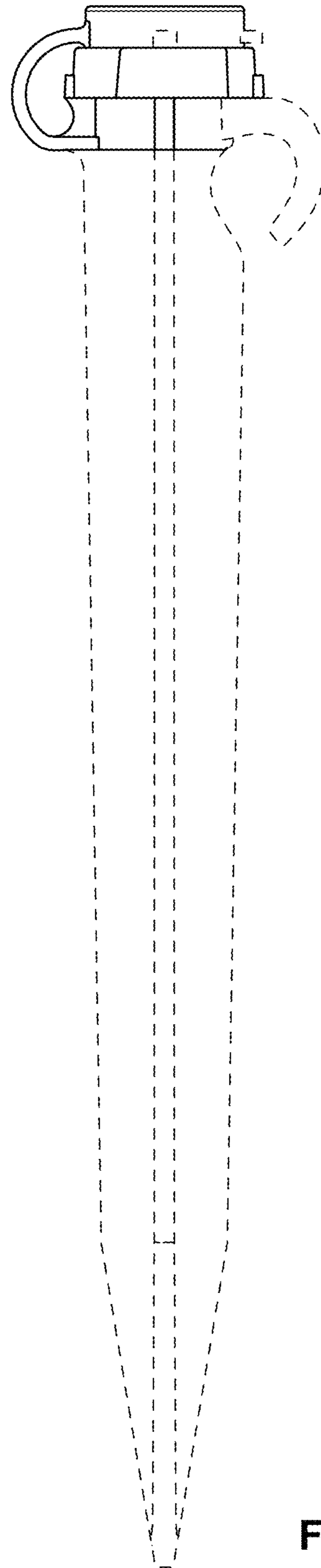


FIG. 6

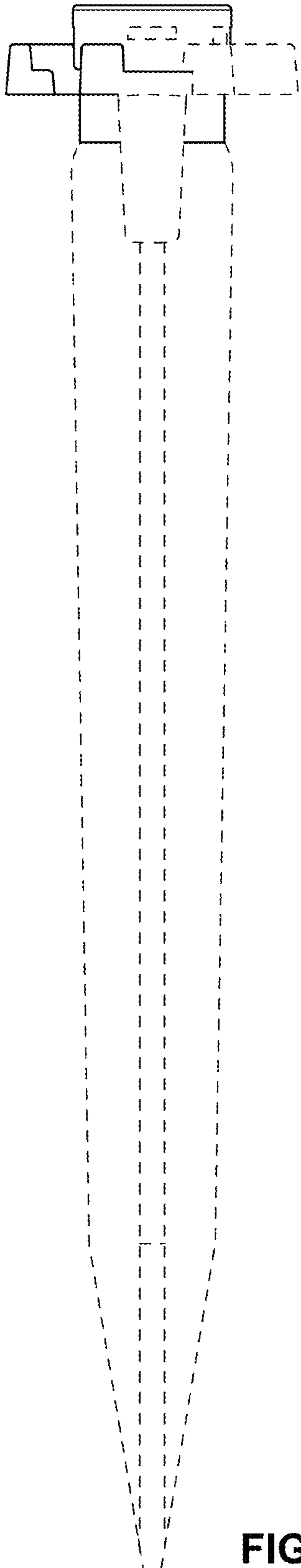


FIG. 7

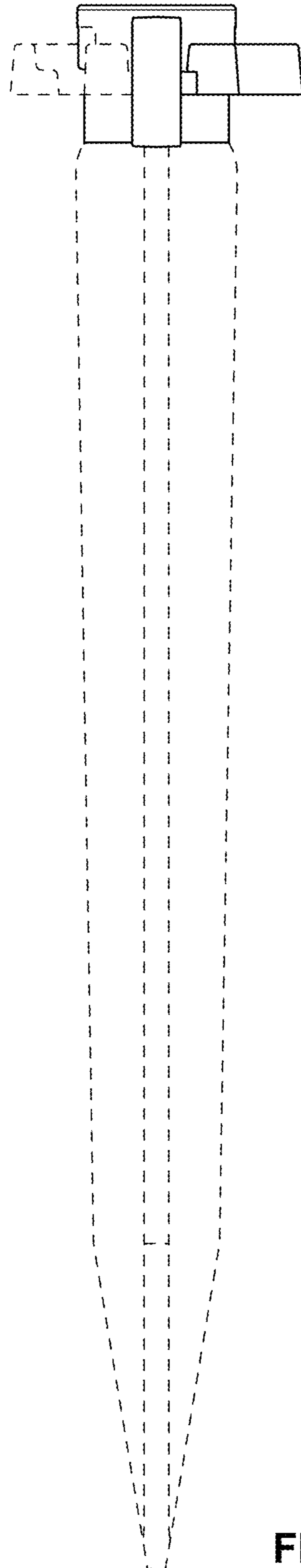


FIG. 8

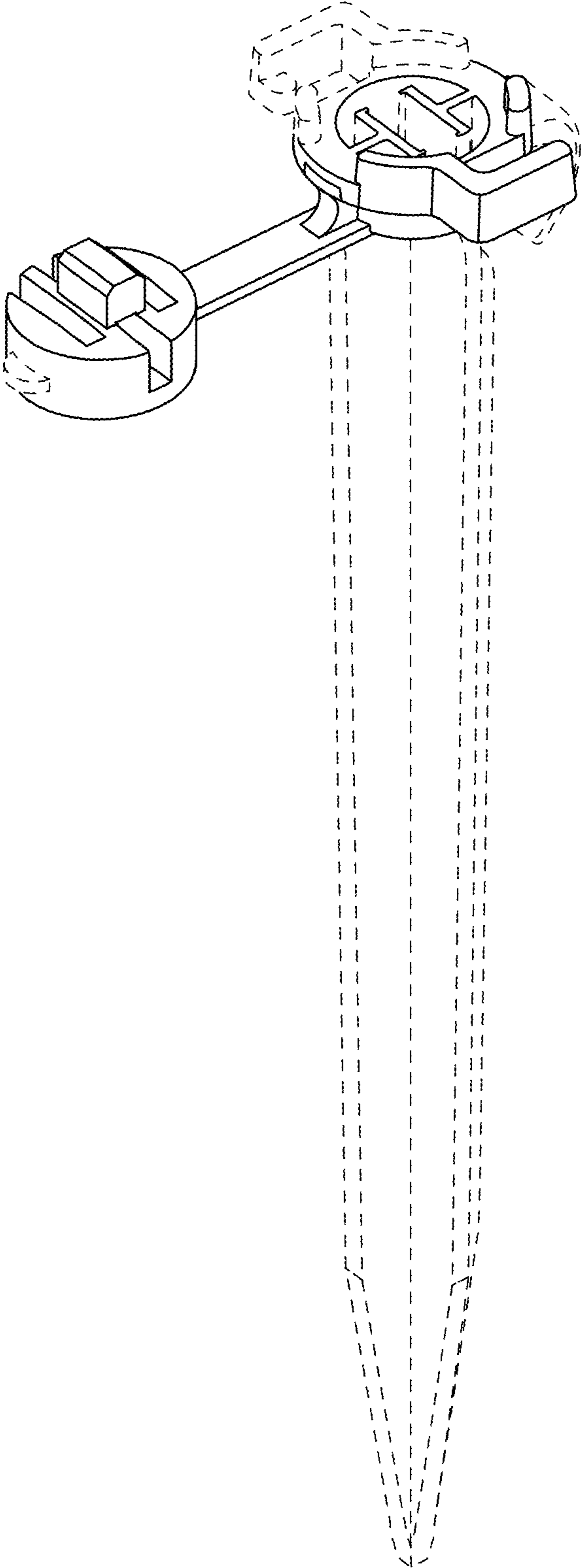


FIG. 9

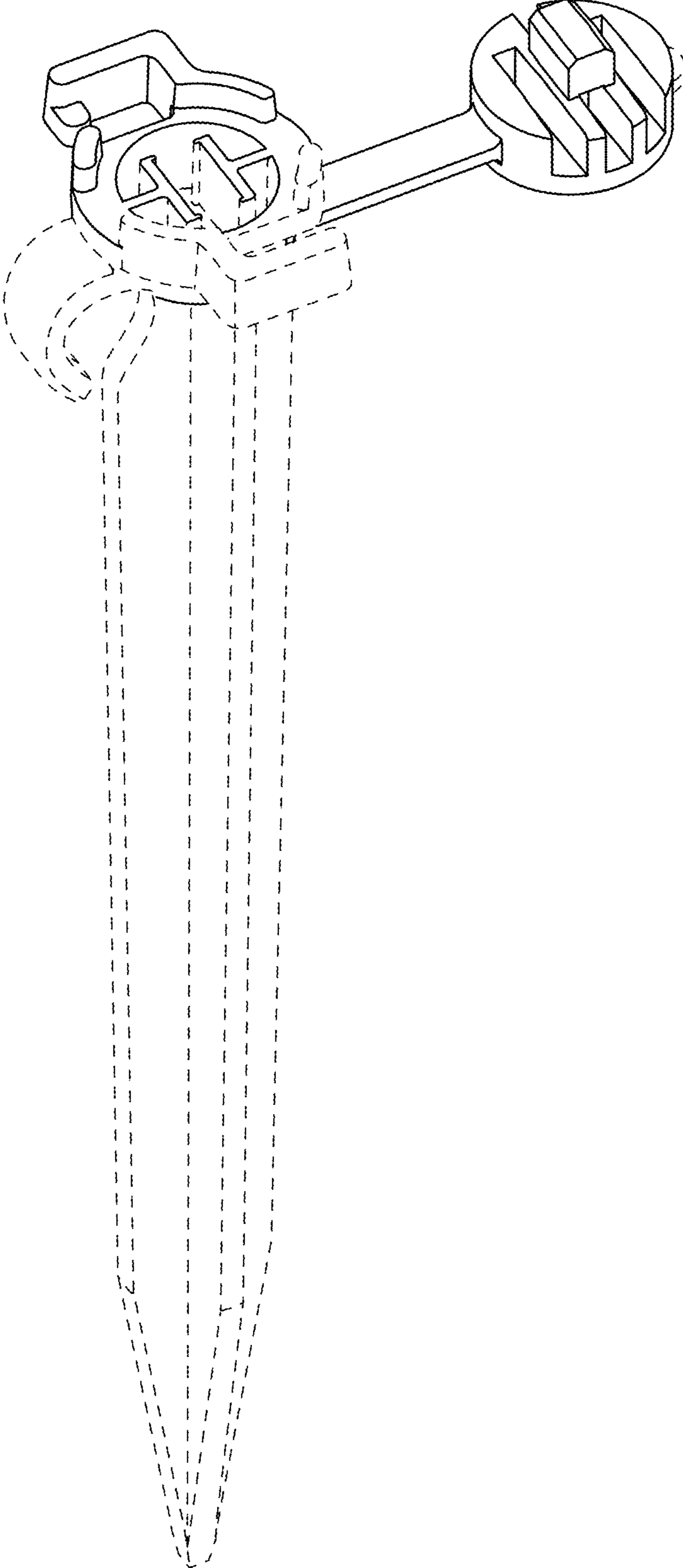


FIG. 10

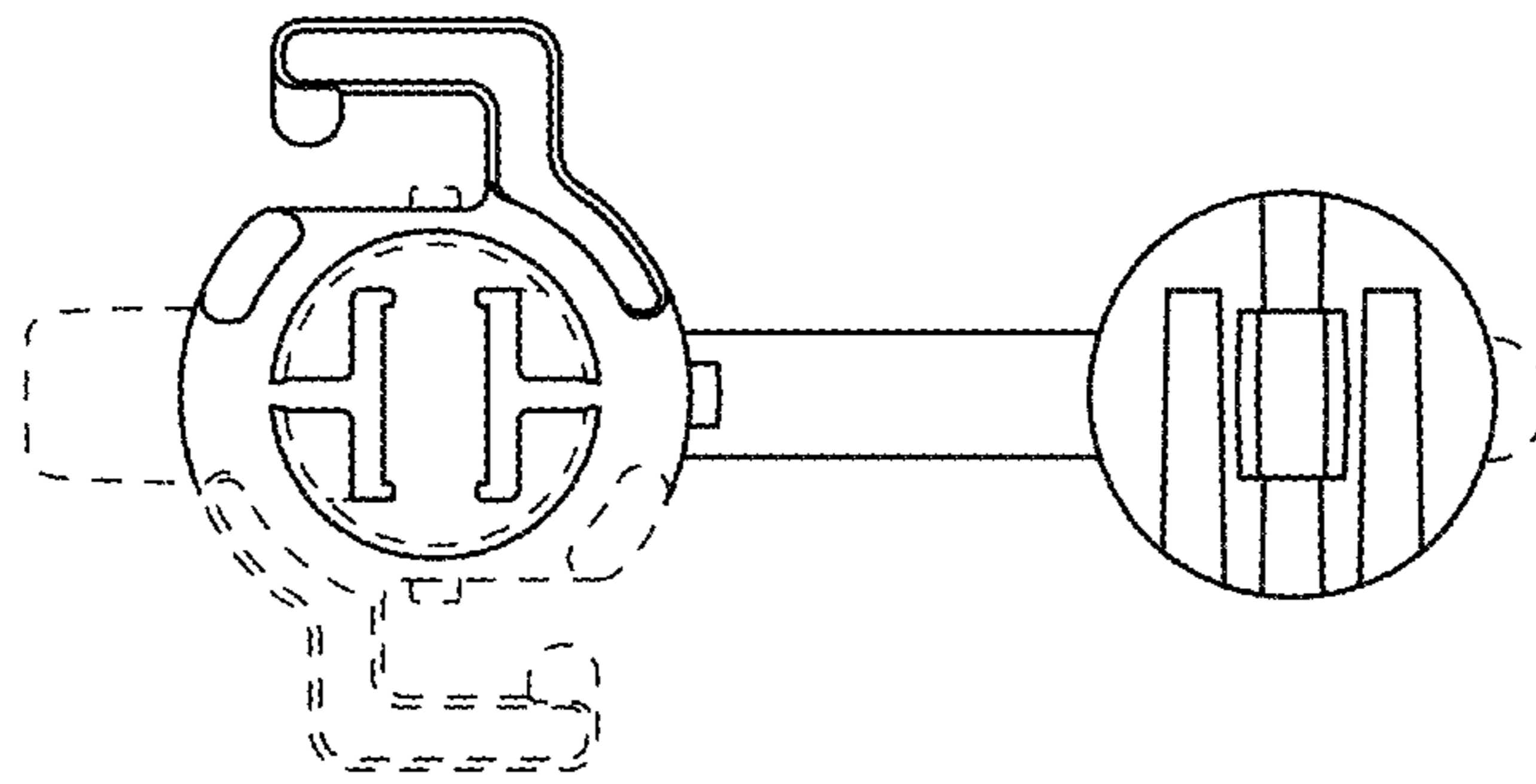


FIG. 11

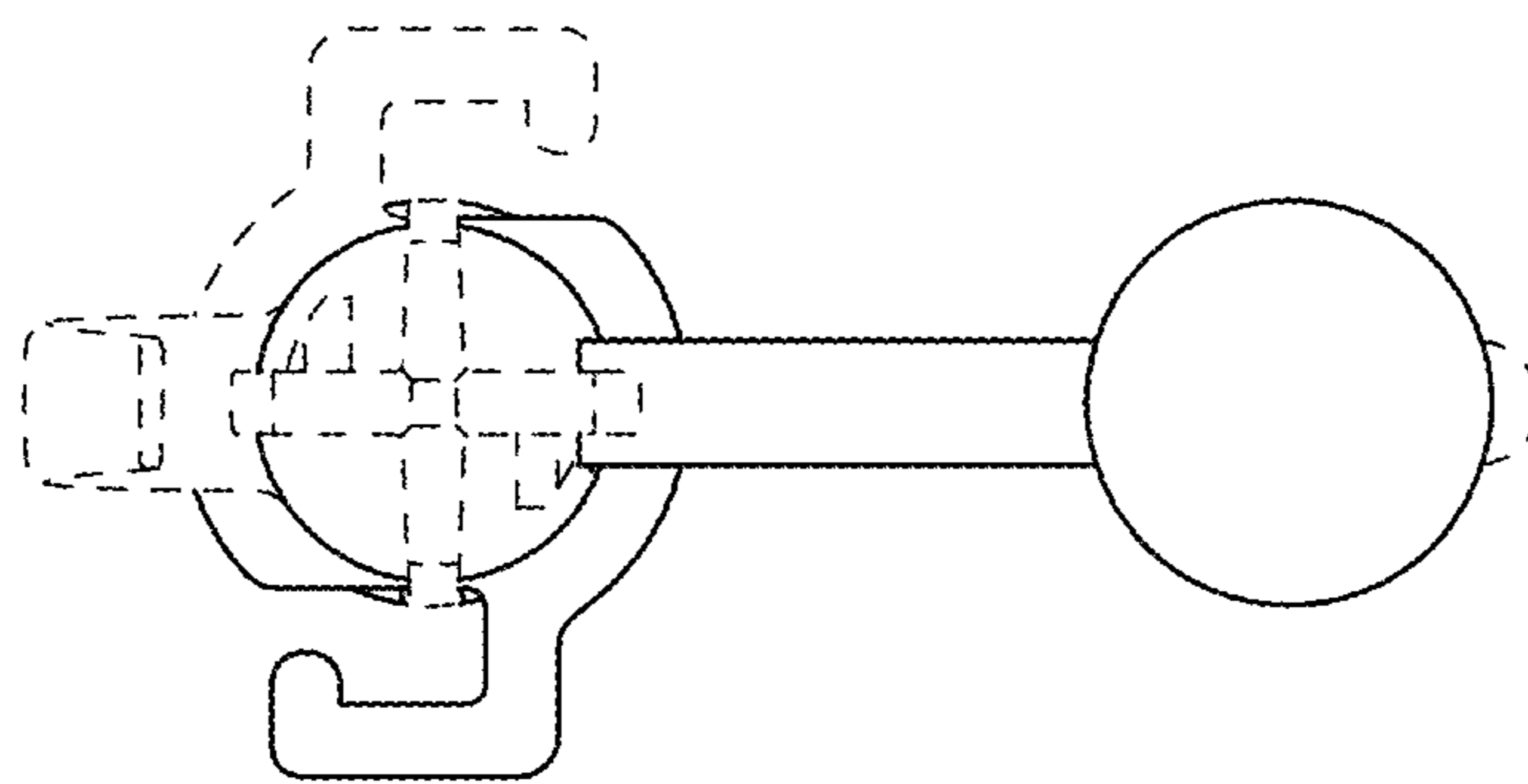


FIG. 12

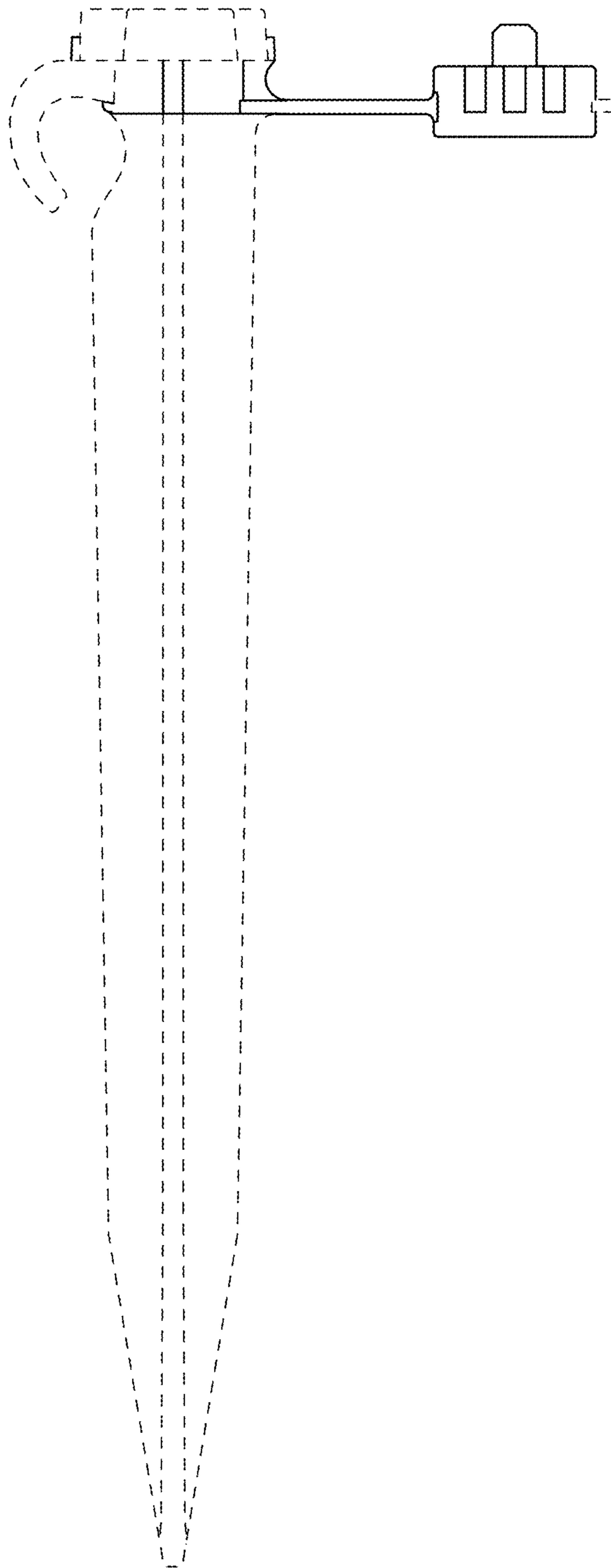


FIG. 13

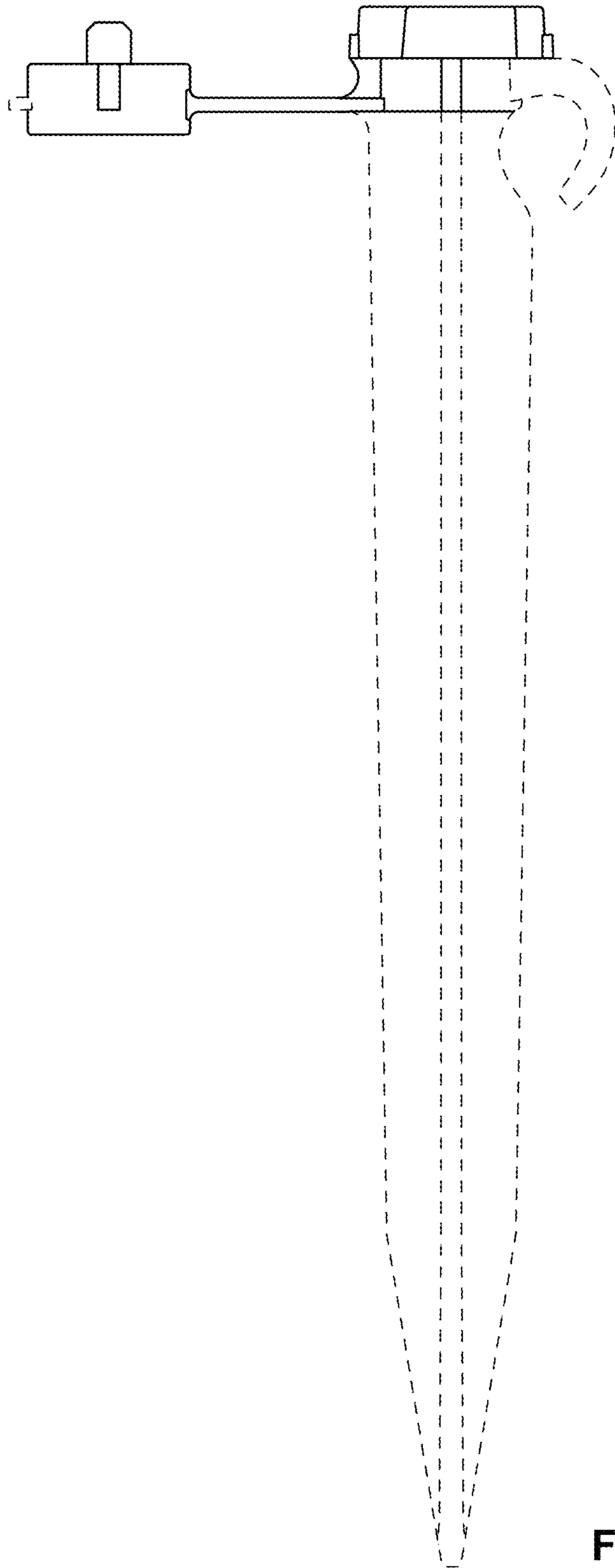


FIG. 14

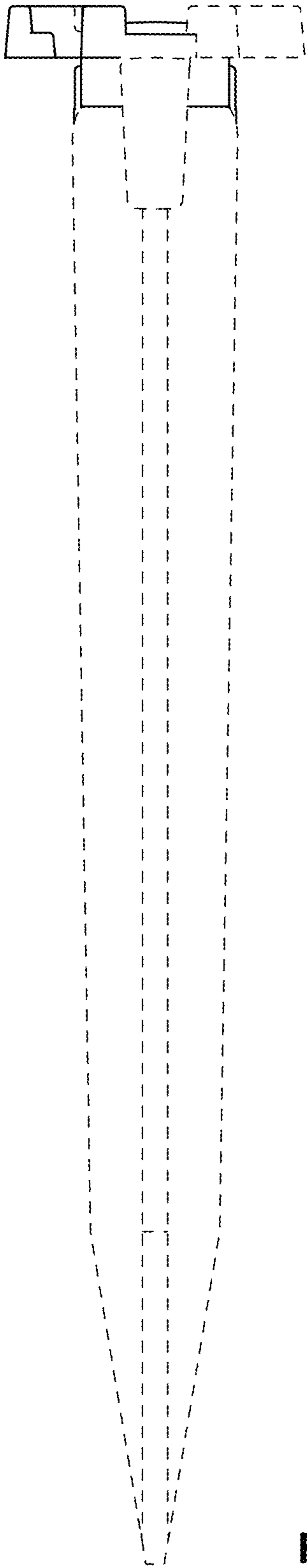


FIG. 15

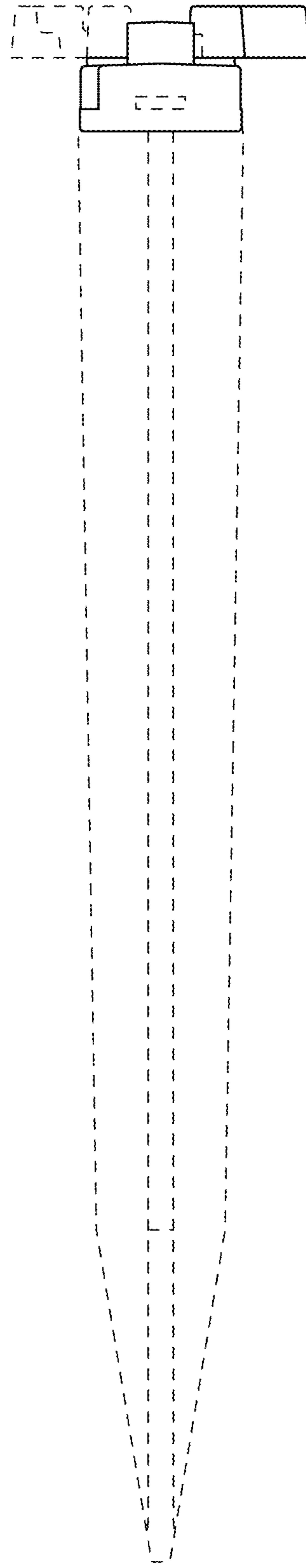


FIG. 16