



US00D817121S

(12) **United States Design Patent** (10) **Patent No.:** **US D817,121 S**  
**Ebrahim et al.** (45) **Date of Patent:** **\*\* May 8, 2018**

(54) **COMBINED MEAT TENDERISING AND MARINATING DEVICE**

D581,751 S \* 12/2008 Peterson ..... D7/682  
D658,020 S \* 4/2012 McGuyer ..... D7/682  
2010/0145342 A1\* 6/2010 Grace ..... A61B 17/1666  
606/81

(71) Applicants: **Ali Abdulhusein Ebrahim**, North Point (HK); **Philip A. Spencer**, Hong Kong (HK)

\* cited by examiner

(72) Inventors: **Ali Abdulhusein Ebrahim**, North Point (HK); **Philip A. Spencer**, Hong Kong (HK)

*Primary Examiner* — Terry A Wallace

(73) Assignee: **Masterful Limited**, North Point (HK)

(57) **CLAIM**

(\*\*) Term: **15 Years**

The ornamental design for a combined meat tenderising and marinating device, as shown.

(21) Appl. No.: **29/592,855**

(22) Filed: **Feb. 3, 2017**

(51) **LOC (11) Cl.** ..... **07-04**

(52) **U.S. Cl.**

USPC ..... **D7/682**; D7/669

(58) **Field of Classification Search**

USPC ..... D7/368, 669, 682, 590  
CPC .. A22B 5/06; A22C 9/008; A22C 9/00; A22C 9/002; B07B 1/22; A61B 17/1666; B27G 13/002

See application file for complete search history.

**DESCRIPTION**

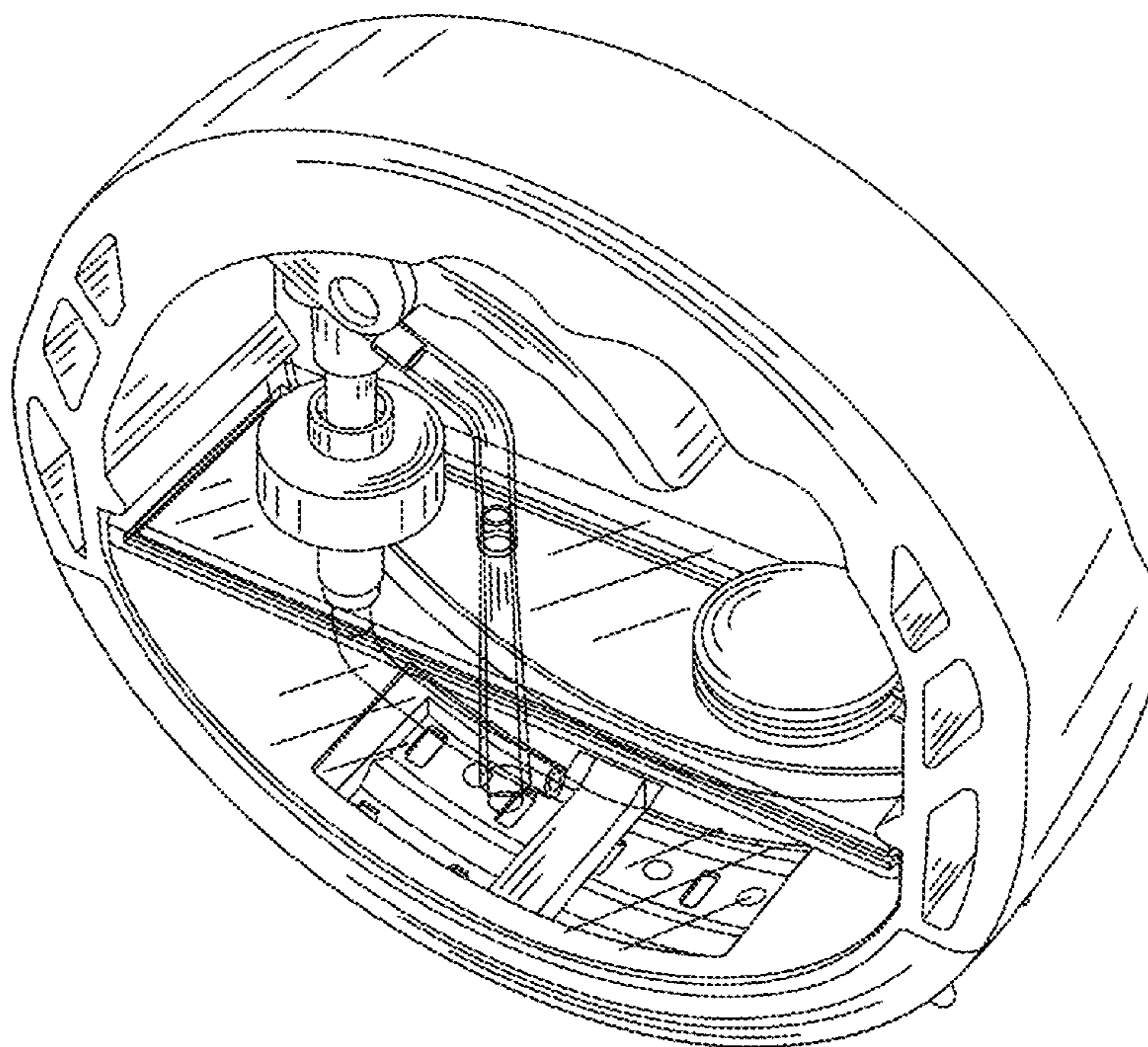
FIG. 1 is a front elevational view of a combined meat tenderising and marinating device showing my new design; FIG. 2 is a rear elevational view thereof; FIG. 3 is a left side view thereof; FIG. 4 is a right side view thereof; FIG. 5 is a top plan view thereof; FIG. 6 is a bottom plan view thereof; FIG. 7 is a perspective view thereof; and, FIG. 8 is another perspective view thereof.

(56) **References Cited**

**U.S. PATENT DOCUMENTS**

3,729,096 A \* 4/1973 Fitzner ..... B07B 1/22  
209/296  
7,293,588 B2 \* 11/2007 Dawson ..... B27G 13/002  
144/218

**1 Claim, 4 Drawing Sheets**



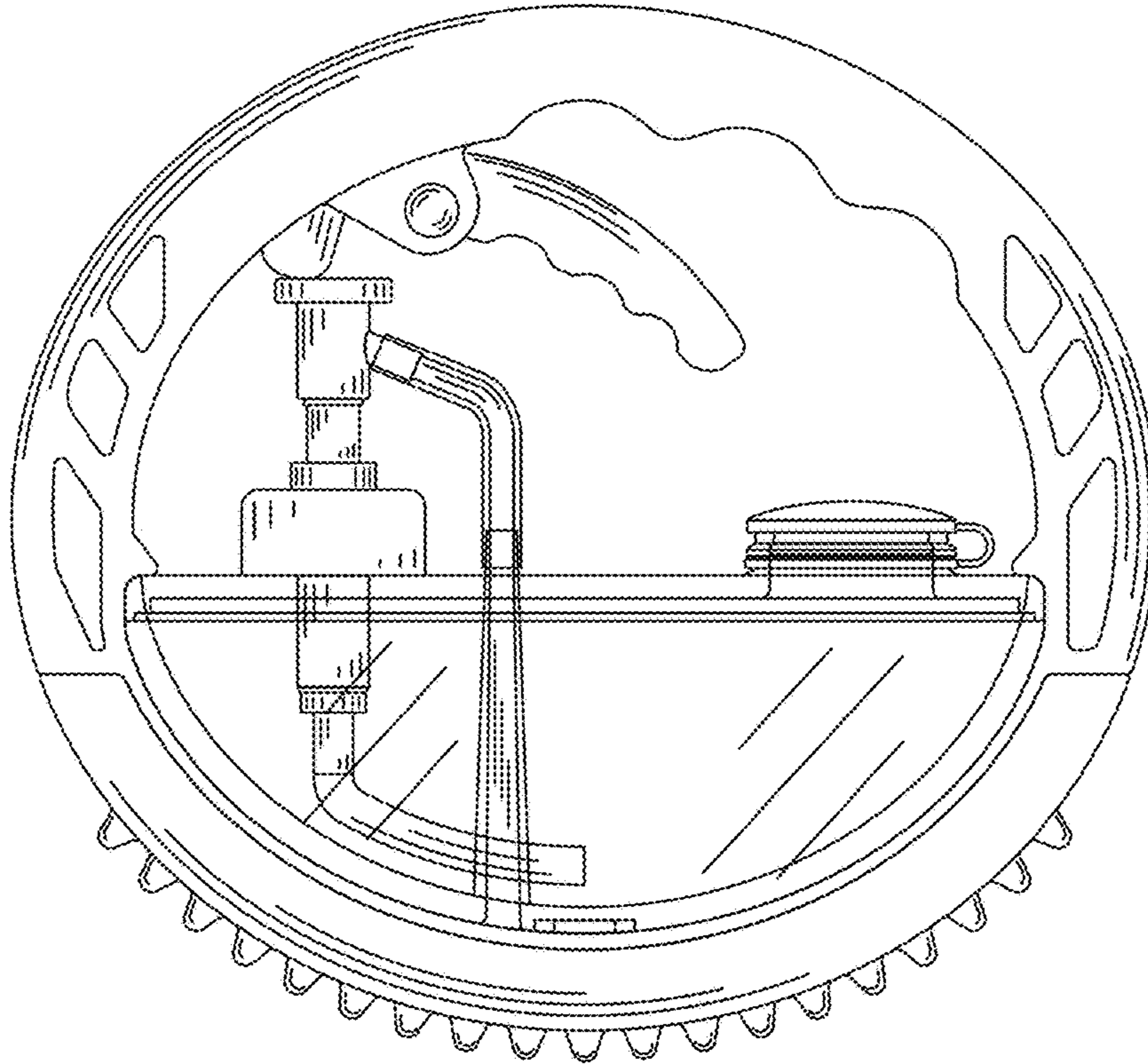


FIG. 1

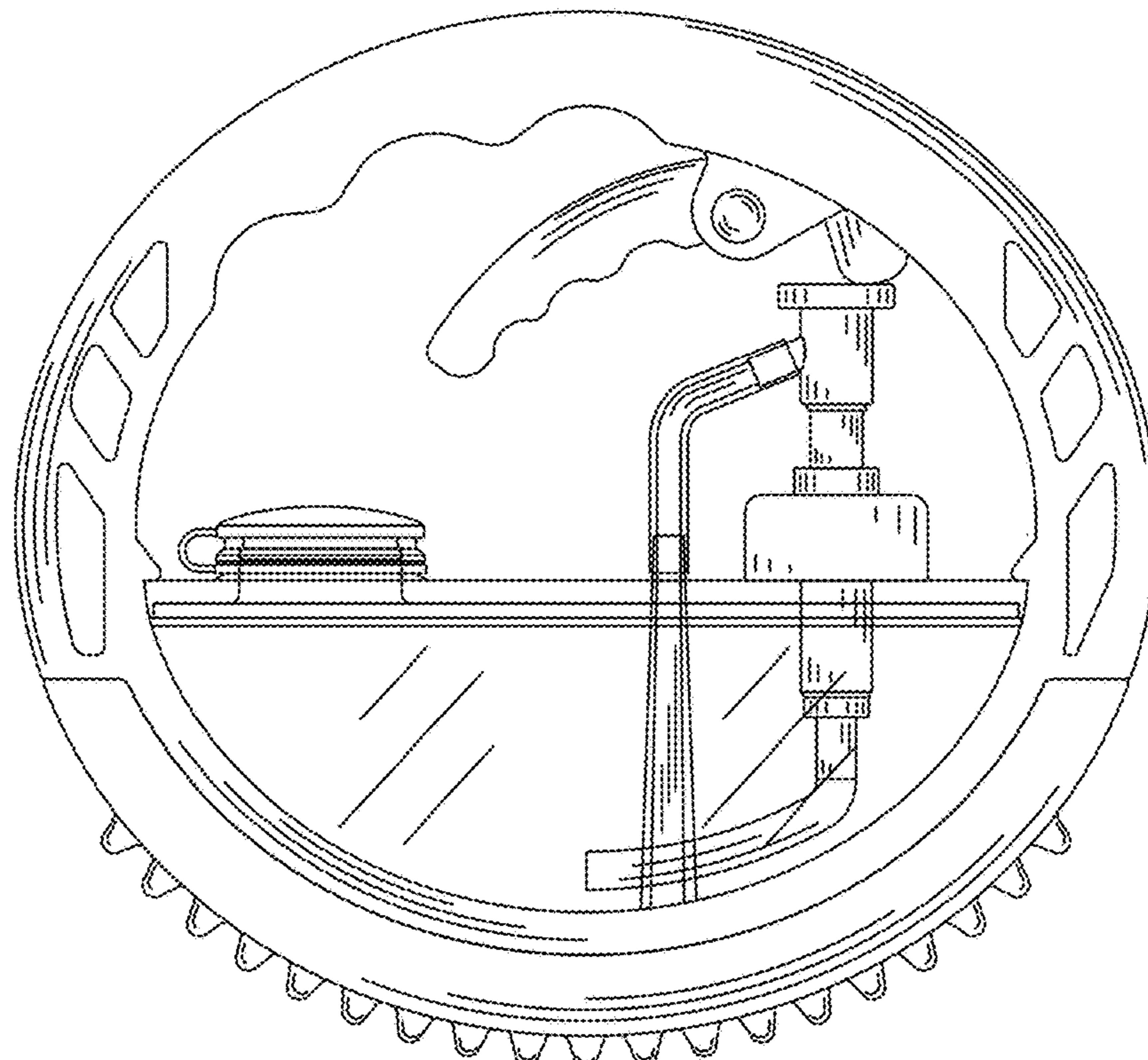


FIG. 2

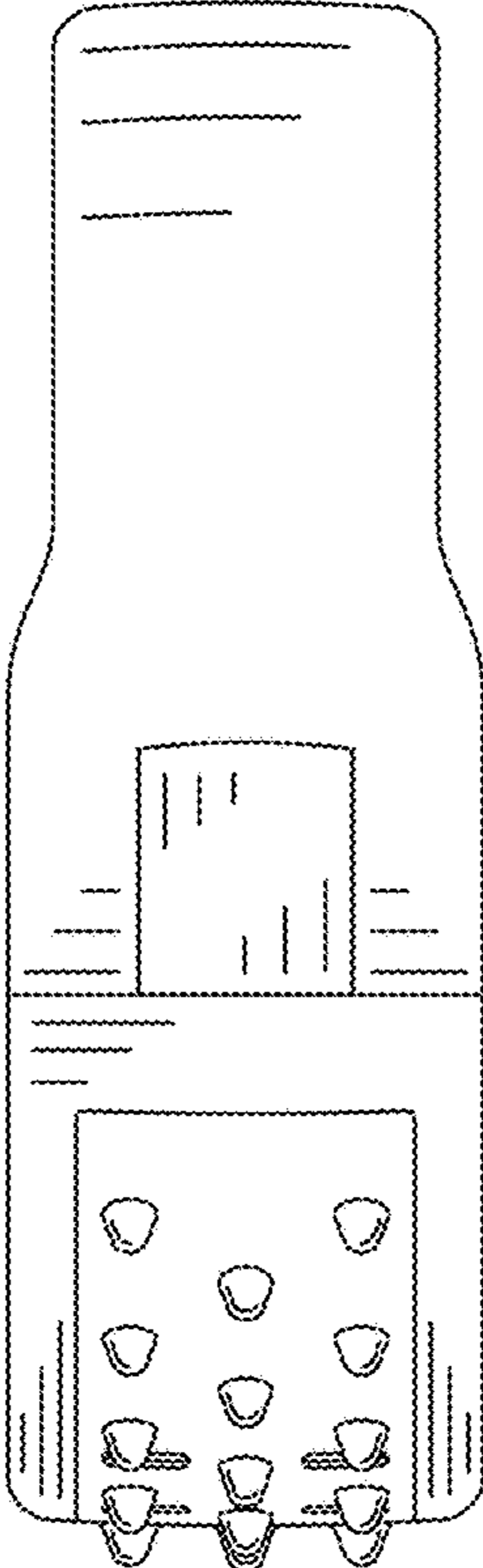


FIG. 3

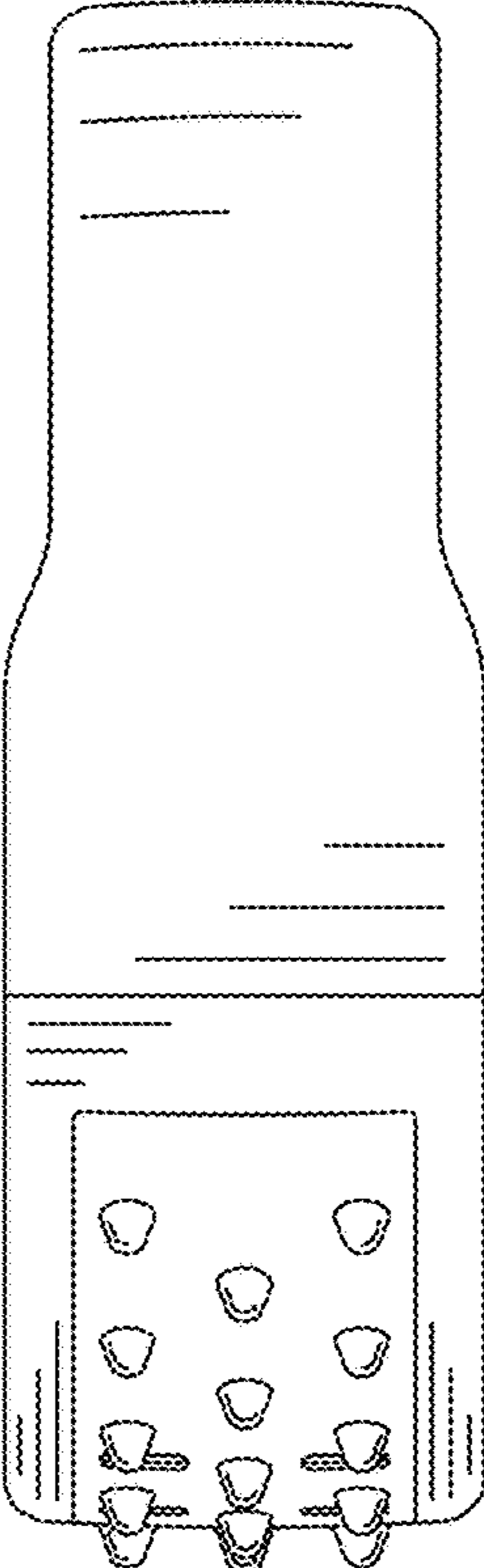


FIG. 4

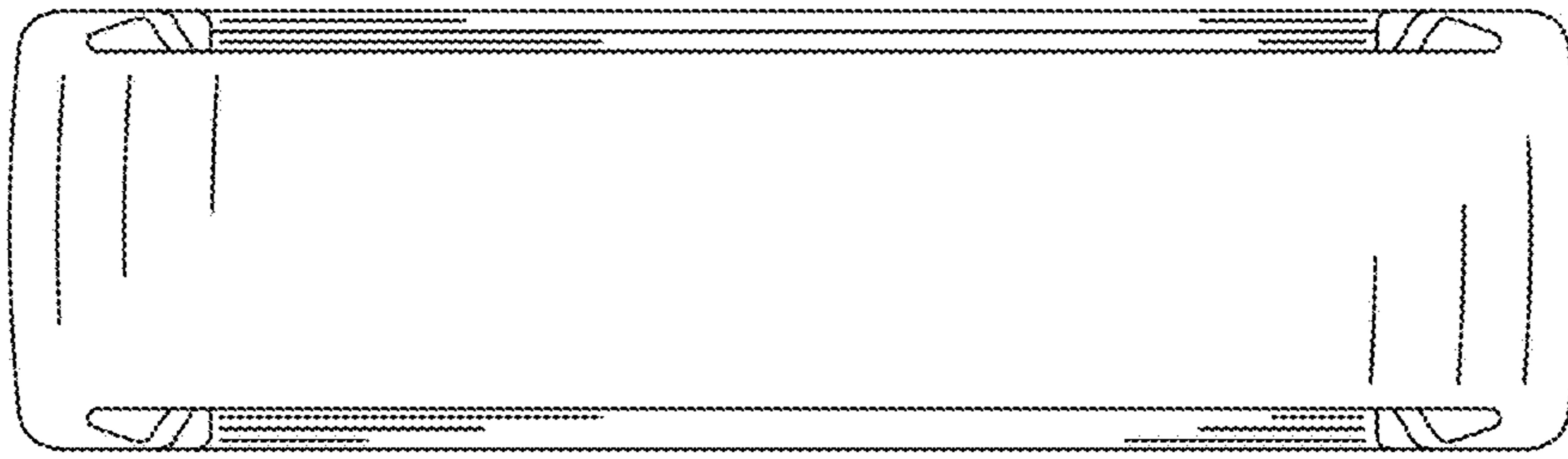


FIG. 5

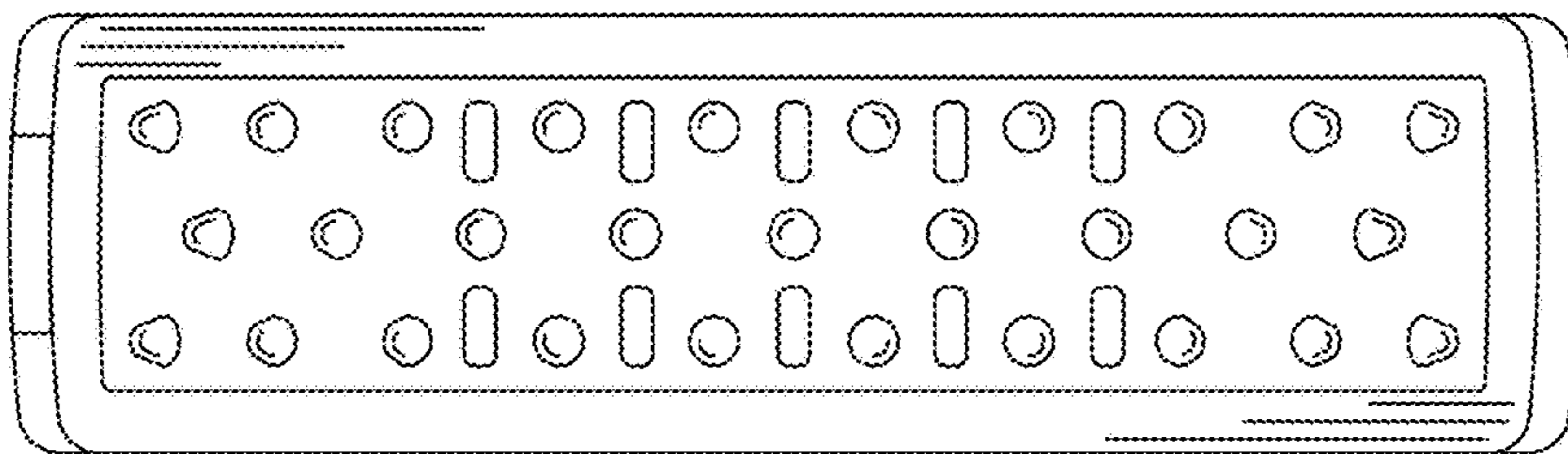


FIG. 6

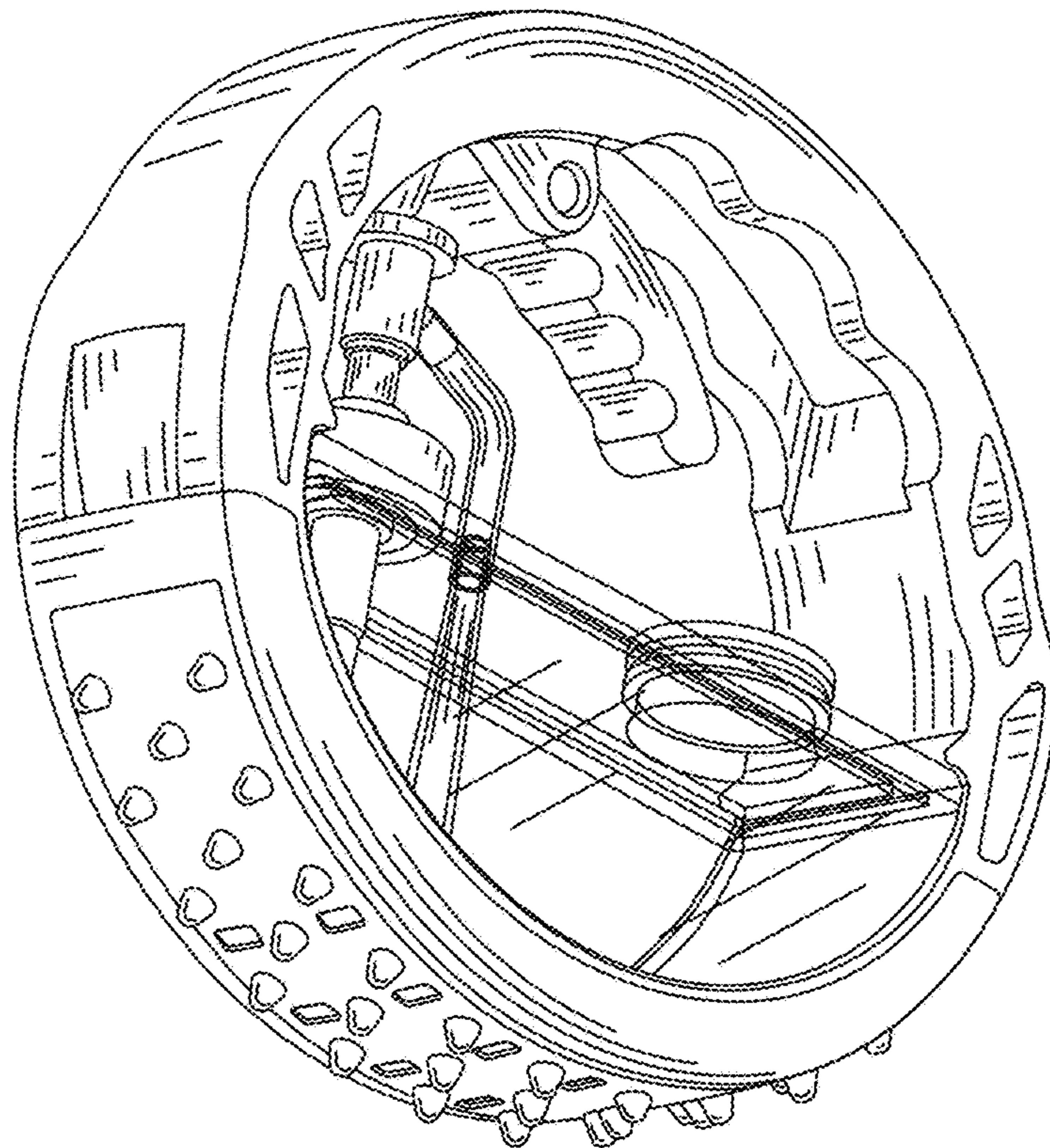


FIG. 7

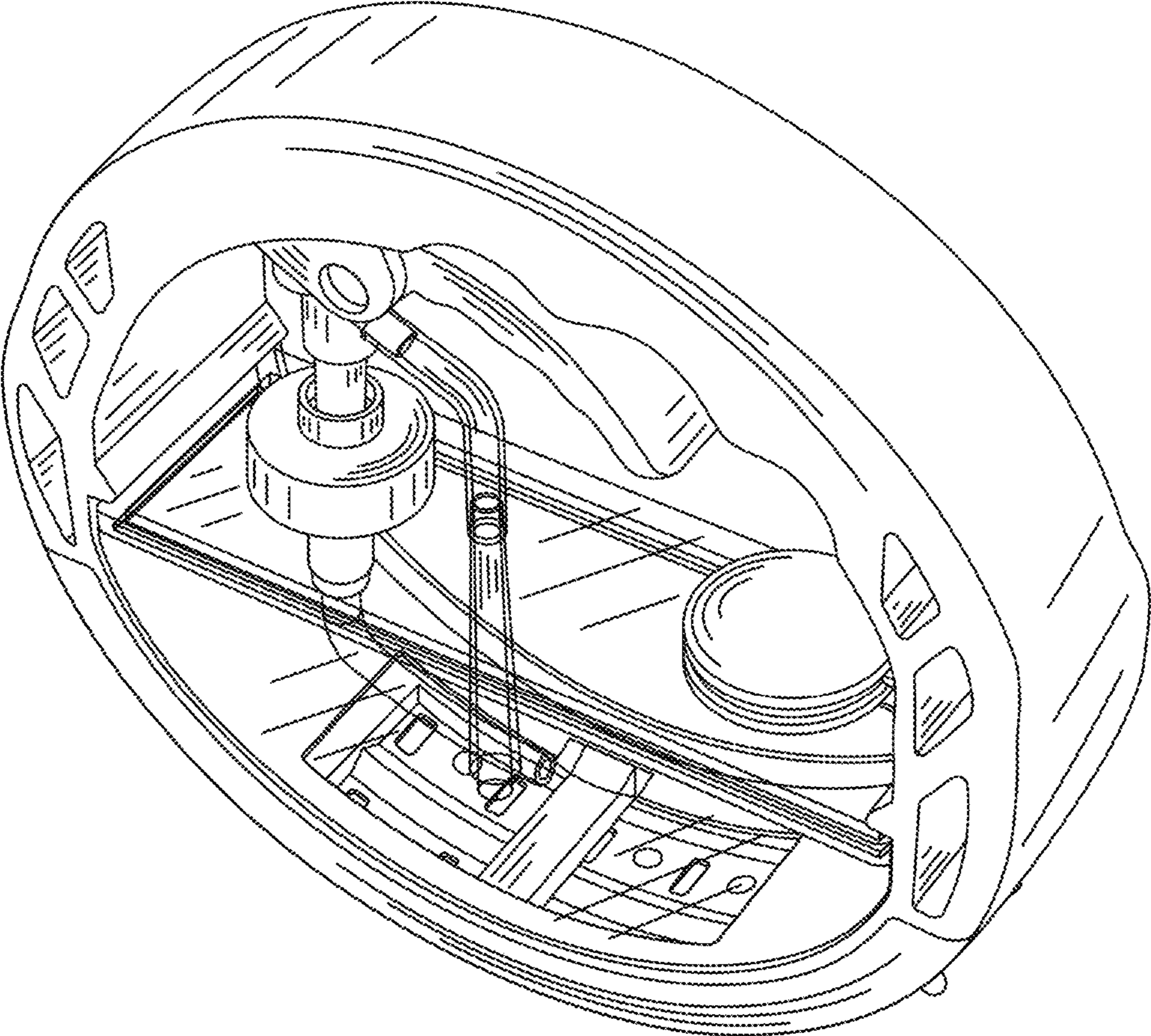


FIG. 8