



US00D817120S

(12) **United States Design Patent** (10) **Patent No.:** **US D817,120 S**
Eich (45) **Date of Patent:** **** May 8, 2018**

(54) **SPICE MILL NON ELECTRIC**
 (71) Applicant: **Michael Eich**, Troinex (CH)
 (72) Inventor: **Michael Eich**, Troinex (CH)
 (**) Term: **15 Years**
 (21) Appl. No.: **35/502,499**
 (22) Filed: **Jan. 29, 2017**

4,135,672 A * 1/1979 Schlessel A47J 42/04
 241/169.1
 D362,598 S * 9/1995 Kibbe D7/678
 D486,702 S * 2/2004 Sorensen D7/679
 D530,993 S * 10/2006 Kolflat D7/679
 D553,450 S * 10/2007 Sorensen D7/679
 D562,087 S * 2/2008 Kalogroulis D7/679
 D671,787 S * 12/2012 Lin D7/300.1
 D787,280 S * 5/2017 Moreau D7/679
 2009/0095832 A1 * 4/2009 Wu A47J 42/40
 241/169.1

(80) **Hague Agreement Data**
 Int. Filing Date: **Jan. 29, 2017**
 Int. Reg. No.: **DM/094733**
 Int. Reg. Date: **Jan. 29, 2017**
 Int. Reg. Pub. Date: **Feb. 24, 2017**
 (51) **LOC (11) Cl.** **07-04**
 (52) **U.S. Cl.**
 USPC **D7/679**
 (58) **Field of Classification Search**
 USPC D7/679, 590-600, 372-374, 401.1
 CPC .. A47J 42/04; A47J 43/40; A47J 42/14; A47J
 42/34; A47J 43/04; B65C 47/0814
 See application file for complete search history.

* cited by examiner

Primary Examiner — Michael A. Pratt

(57) **CLAIM**

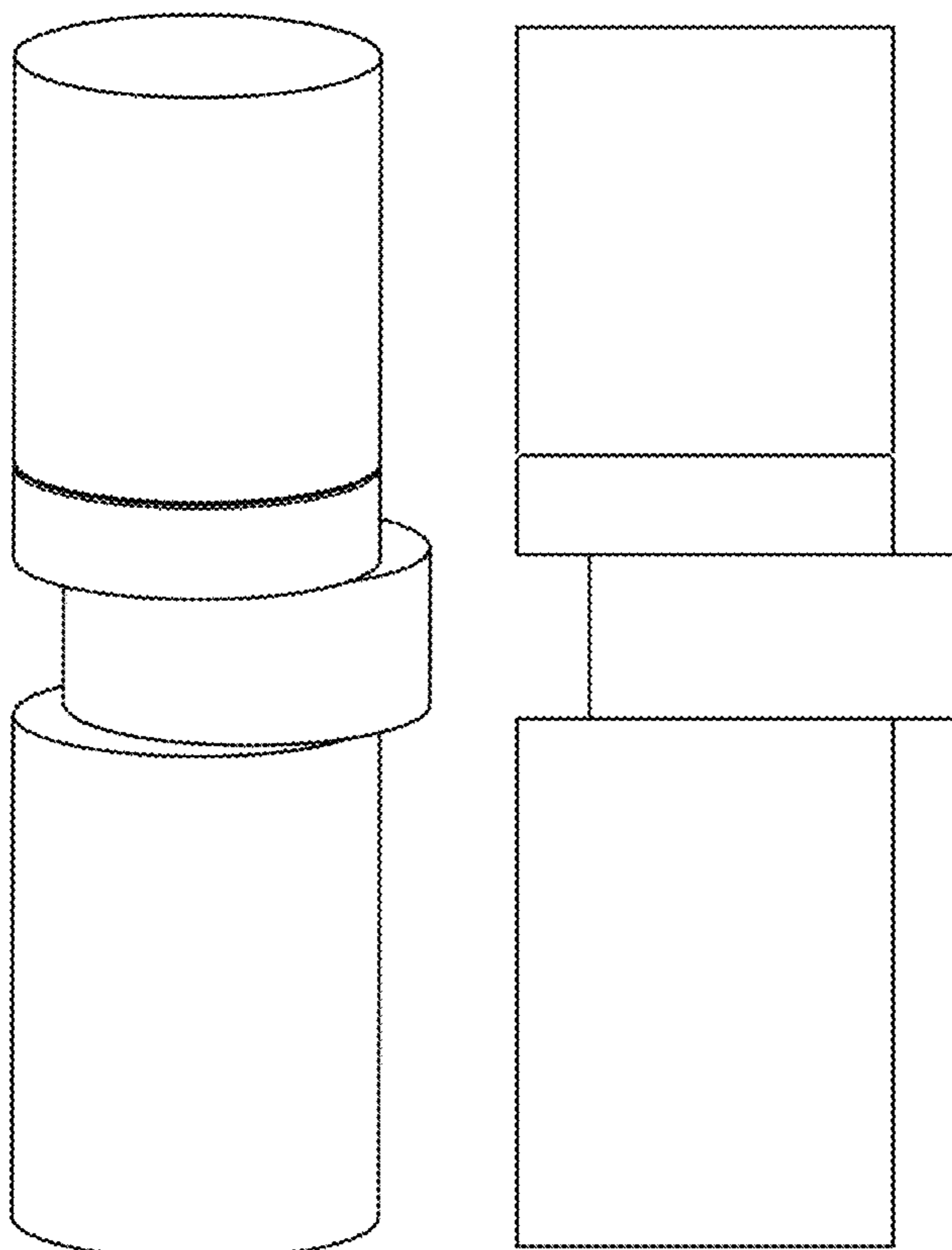
The ornamental design for a spice mill non electric, as shown and described.

DESCRIPTION

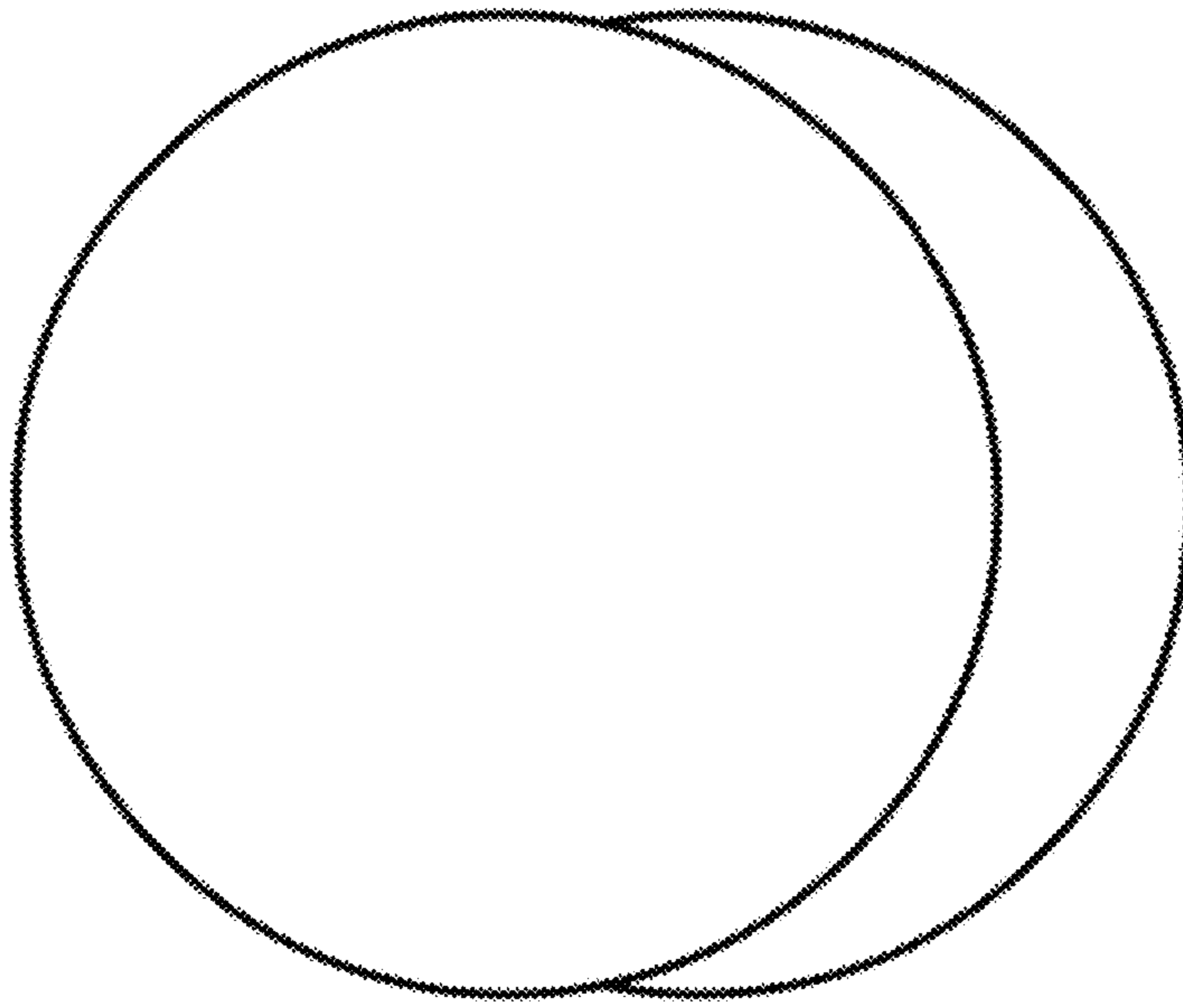
- 1. Spice mill non electric
- 1.1 : Top
- 1.2 : Perspective
- 1.3 : Front

(56) **References Cited**
 U.S. PATENT DOCUMENTS
 D96,679 S * 8/1935 Kopf D7/372
 D218,256 S * 8/1970 Rams D7/373

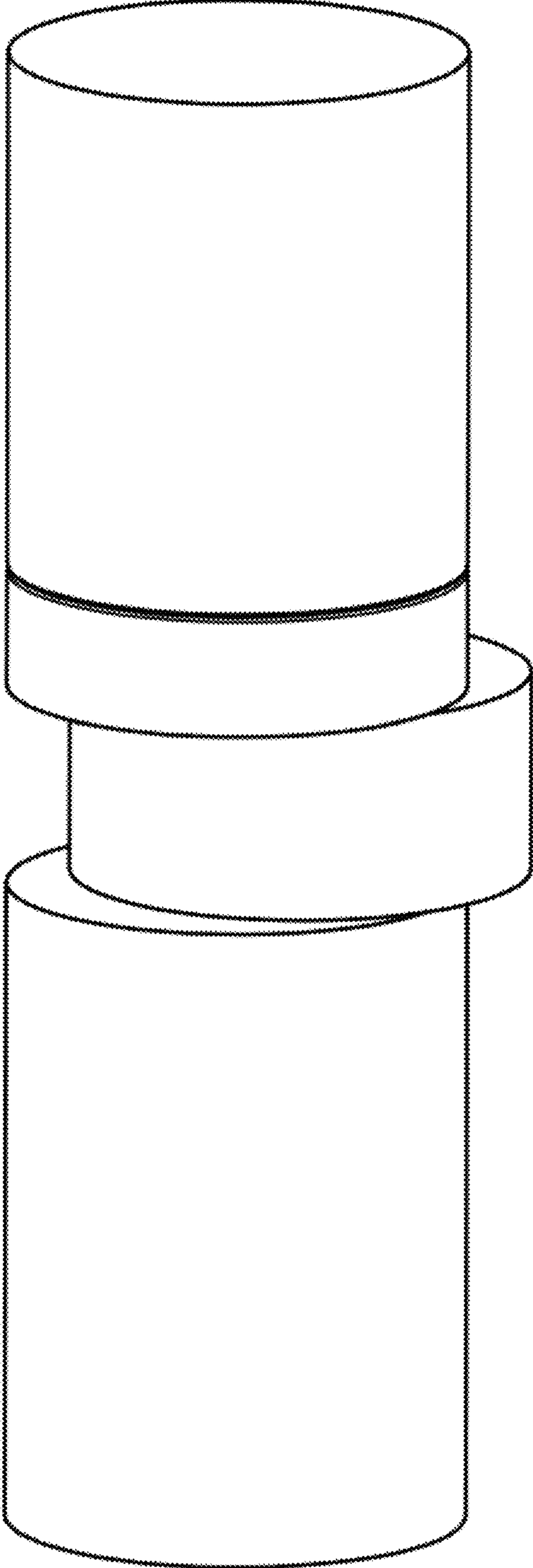
1 Claim, 3 Drawing Sheets



1.1



1.2



1.3

