



US00D817119S

(12) **United States Design Patent**
Hand

(10) **Patent No.:** **US D817,119 S**

(45) **Date of Patent:** **** May 8, 2018**

- (54) **BURGER PRESS**
 - (71) Applicant: **Columbia Insurance Company,**
Omaha, NE (US)
 - (72) Inventor: **James C. Hand,** Glen Ellyn, IL (US)
 - (73) Assignee: **Columbia Insurance Company,**
Omaha, NE (US)
 - (**) Term: **15 Years**
 - (21) Appl. No.: **29/541,875**
 - (22) Filed: **Oct. 8, 2015**
 - (51) **LOC (11) Cl.** **07-04**
 - (52) **U.S. Cl.**
USPC **D7/677**
 - (58) **Field of Classification Search**
USPC D7/672-677, 354, 357, 693
CPC A22C 7/0076; A22C 7/00; A22C 7/0046;
A22C 7/0038; A47J 43/20; A47J 37/0611;
A21C 15/007
- See application file for complete search history.

4,765,029 A	8/1988	Rogan	
5,112,634 A *	5/1992	Swearingen	A22C 7/00 100/910
D621,668 S	8/2010	Zemel	
8,029,265 B2	10/2011	Hauser	
8,038,118 B1	10/2011	Ajaki	
D680,389 S	4/2013	Zemel et al.	
D695,577 S *	12/2013	Bourbeau	D7/672
2009/0246311 A1 *	10/2009	Hauser	A47J 43/20 425/519
2010/0107900 A1 *	5/2010	Hanson	A47J 43/20 99/450.6
2014/0220170 A1	8/2014	Bourbeau	

* cited by examiner

Primary Examiner — Terry A Wallace

(74) *Attorney, Agent, or Firm* — Thompson Coburn LLP

(57) **CLAIM**

The ornamental design for a burger press, as shown and described.

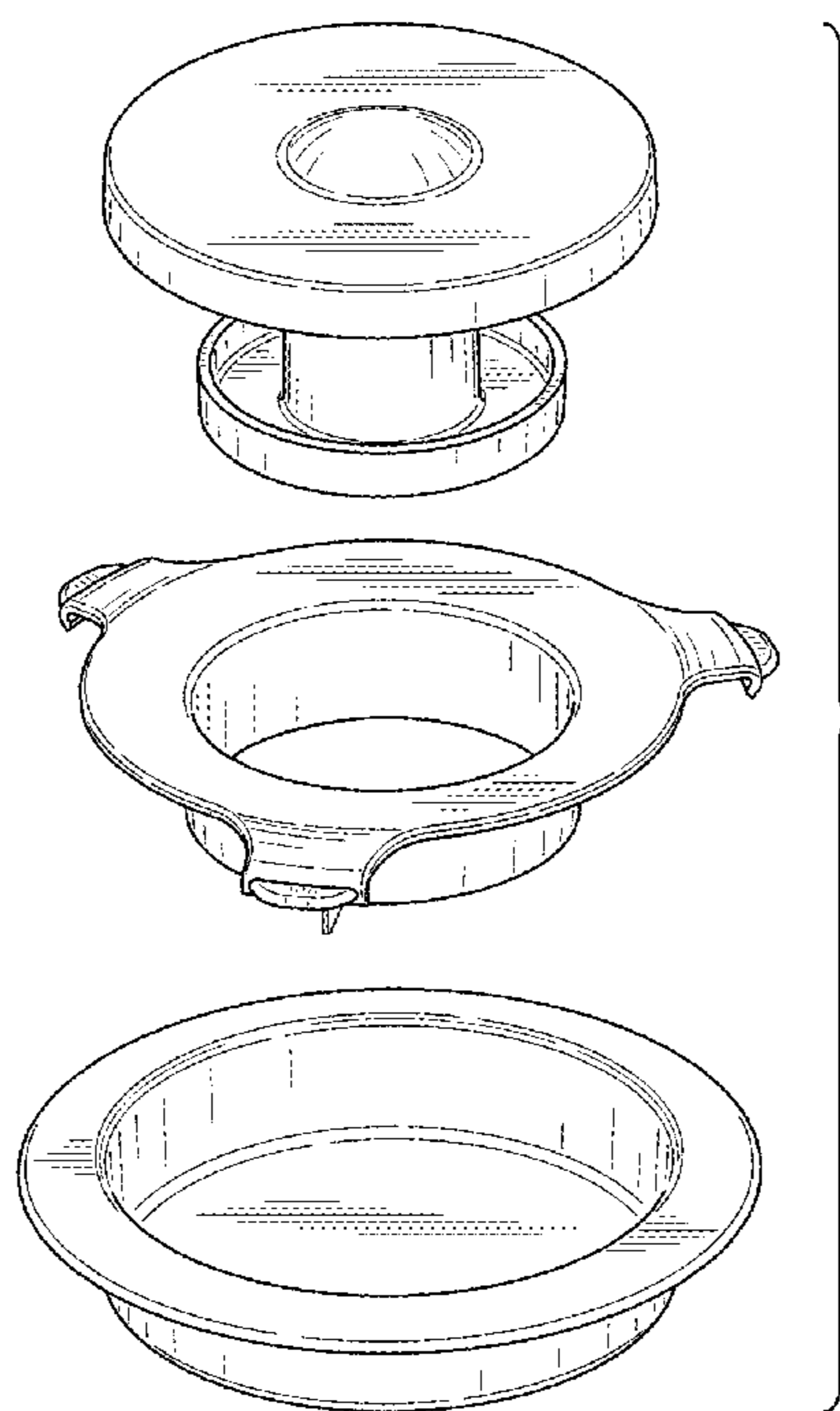
DESCRIPTION

FIG. 1 is a front, exploded perspective of the burger press showing my new design;
 FIG. 2 is a front, exploded elevational view thereof;
 FIG. 3 is a rear, exploded elevational view thereof;
 FIG. 4 is a right side, exploded elevational view thereof;
 FIG. 5 is a left side, exploded elevational view thereof;
 FIG. 6 is an exploded top plan view thereof; and
 FIG. 7 is an exploded bottom plan view thereof; and,
 FIG. 8 is a front perspective view of the burger press, with each component thereof in an assembled configuration as would be seen during the intended use thereof.

1 Claim, 6 Drawing Sheets

(56) **References Cited**
 U.S. PATENT DOCUMENTS

3,671,008 A	6/1972	Villalba, Jr.	
3,837,775 A *	9/1974	Boucher	A22C 7/0046 425/195
D236,312 S	8/1975	Brown	
3,934,308 A *	1/1976	Neri	A22C 7/0046 425/409
3,943,602 A *	3/1976	Siclari	A22C 7/0046 425/338
4,106,162 A	8/1978	Fournier	



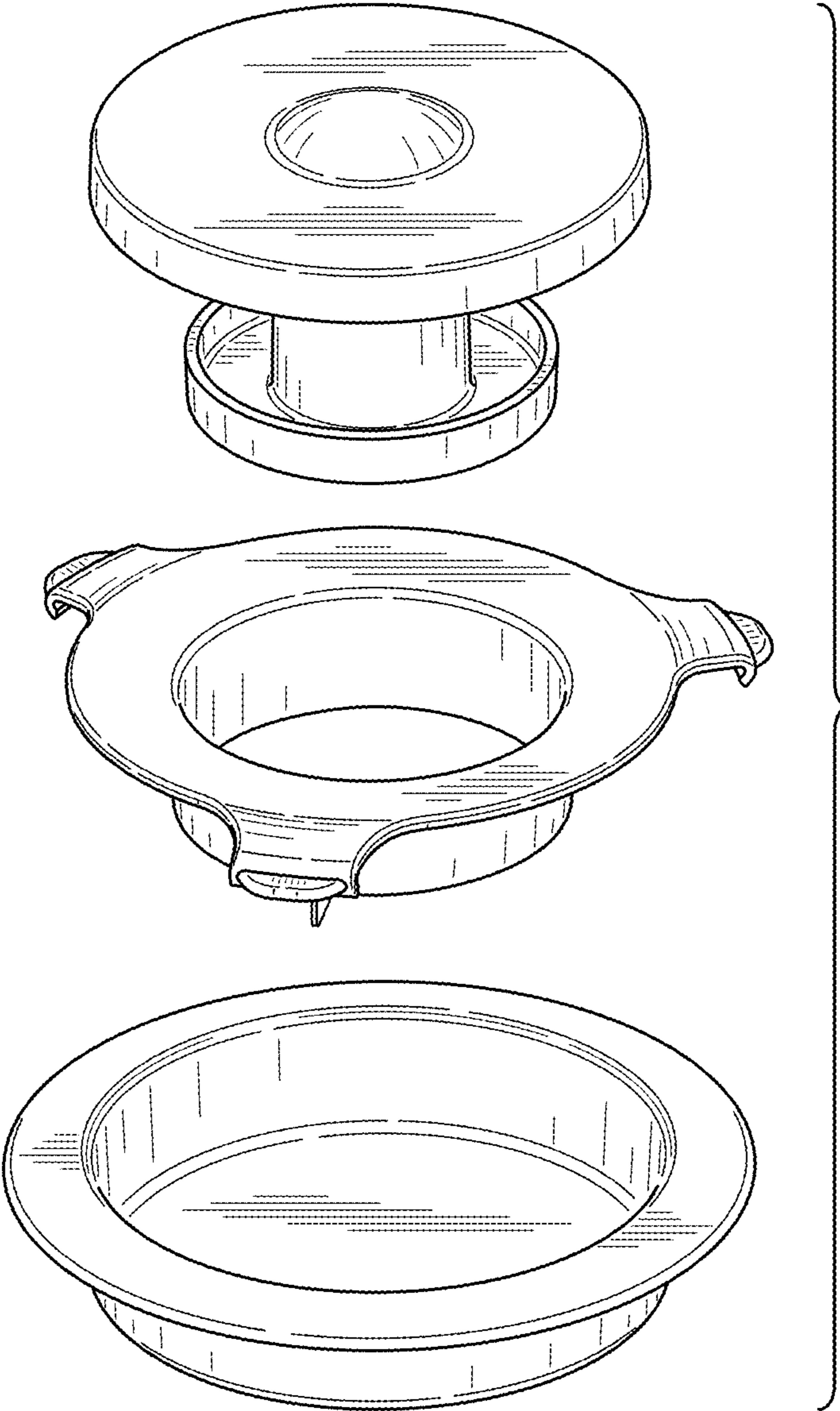


FIG. 1

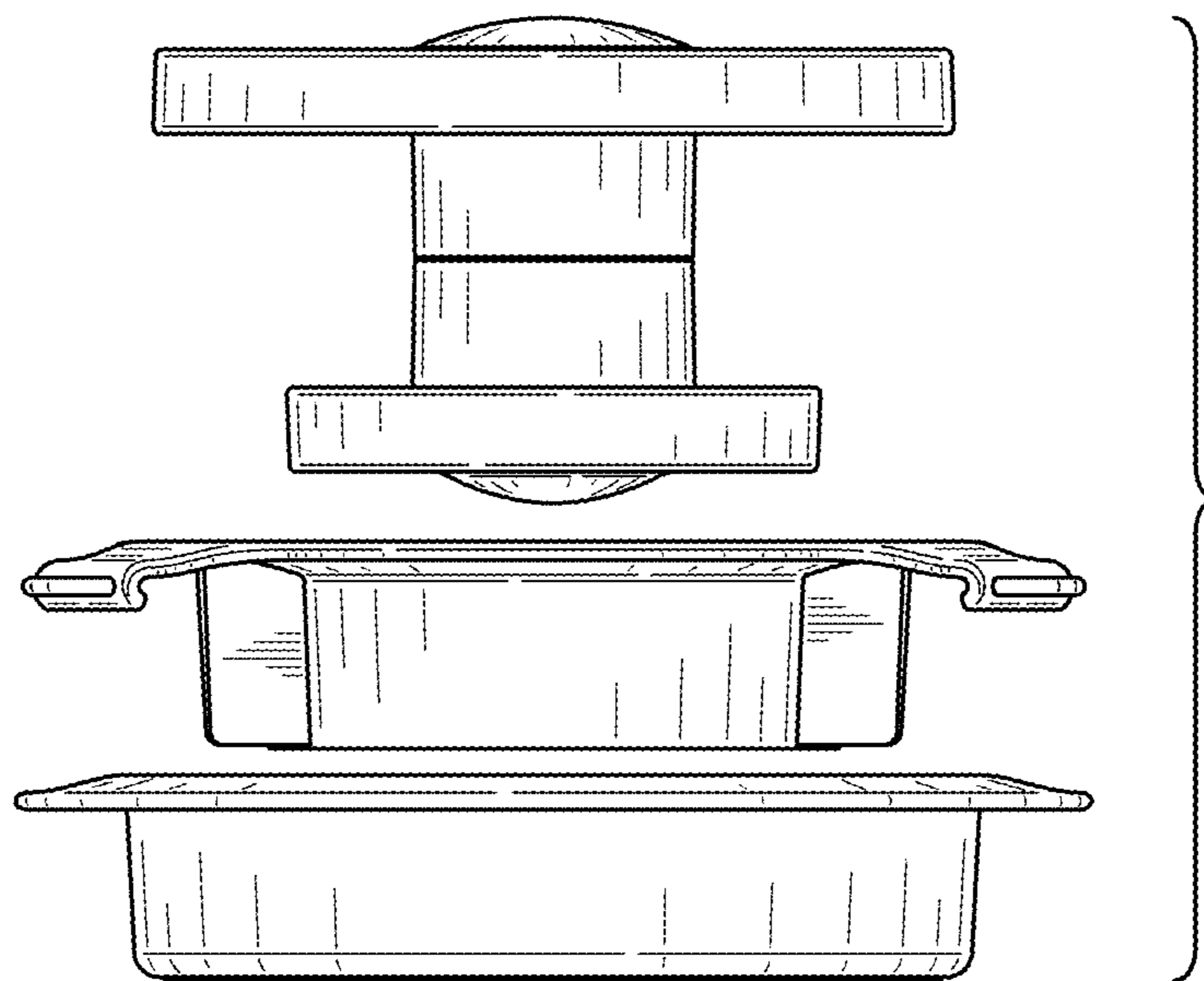


FIG. 2

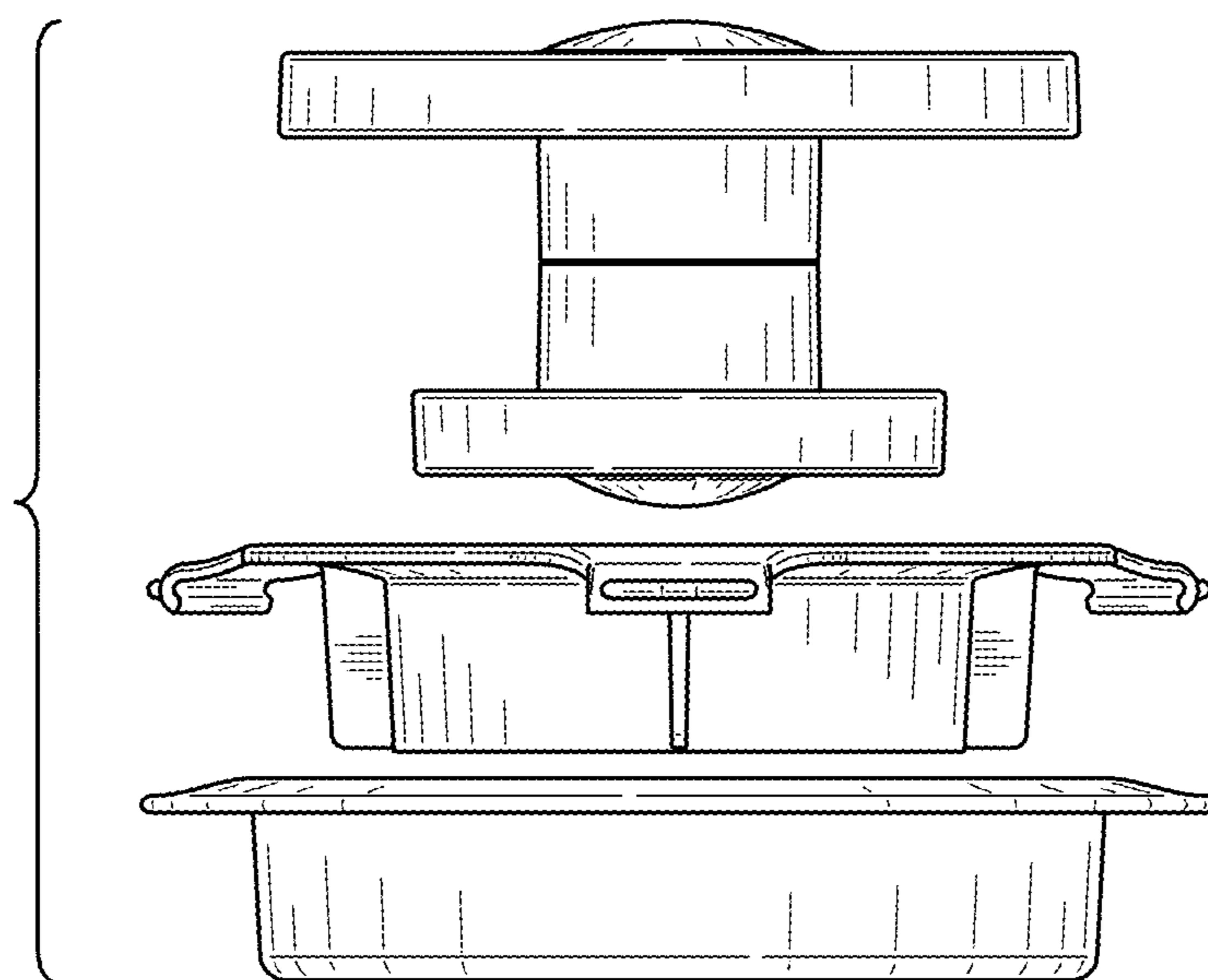


FIG. 3

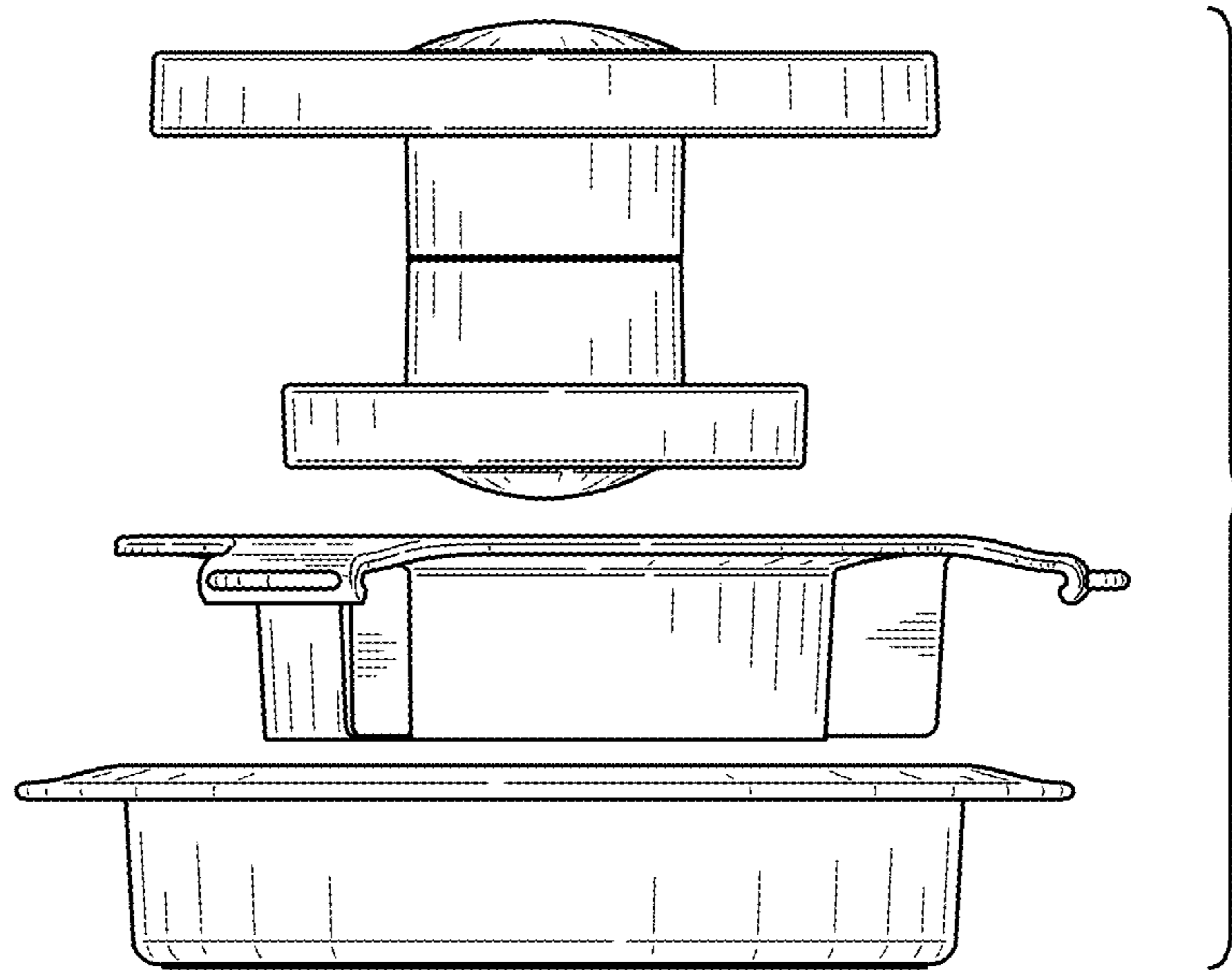


FIG. 4

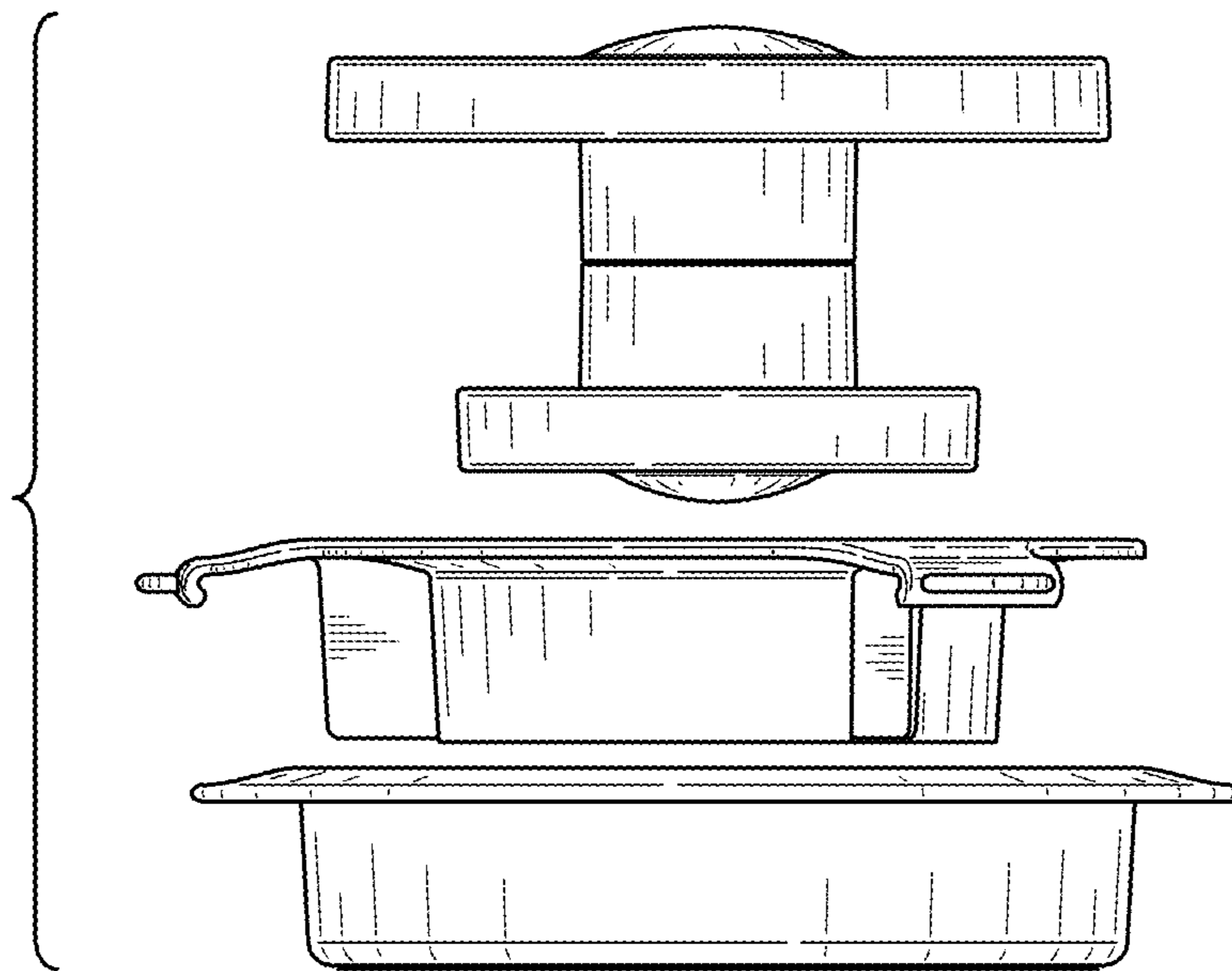


FIG. 5

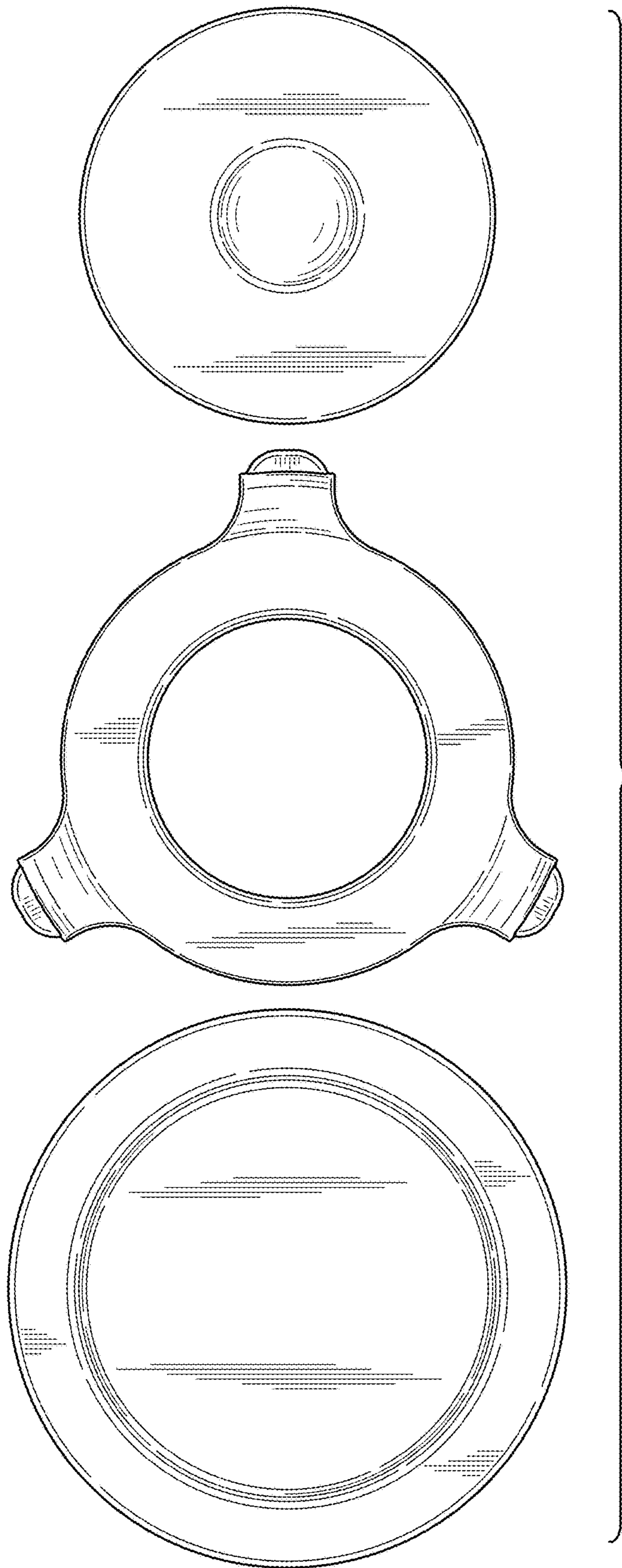


FIG. 6

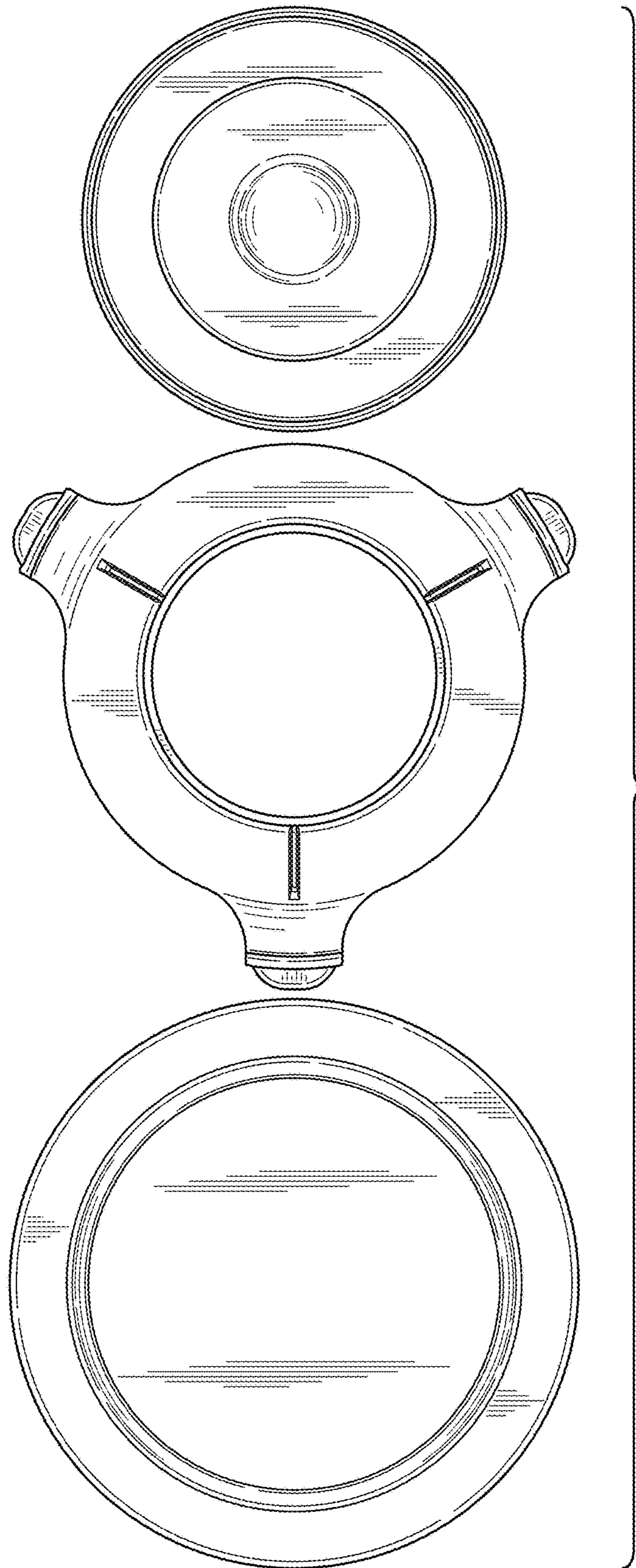


FIG. 7

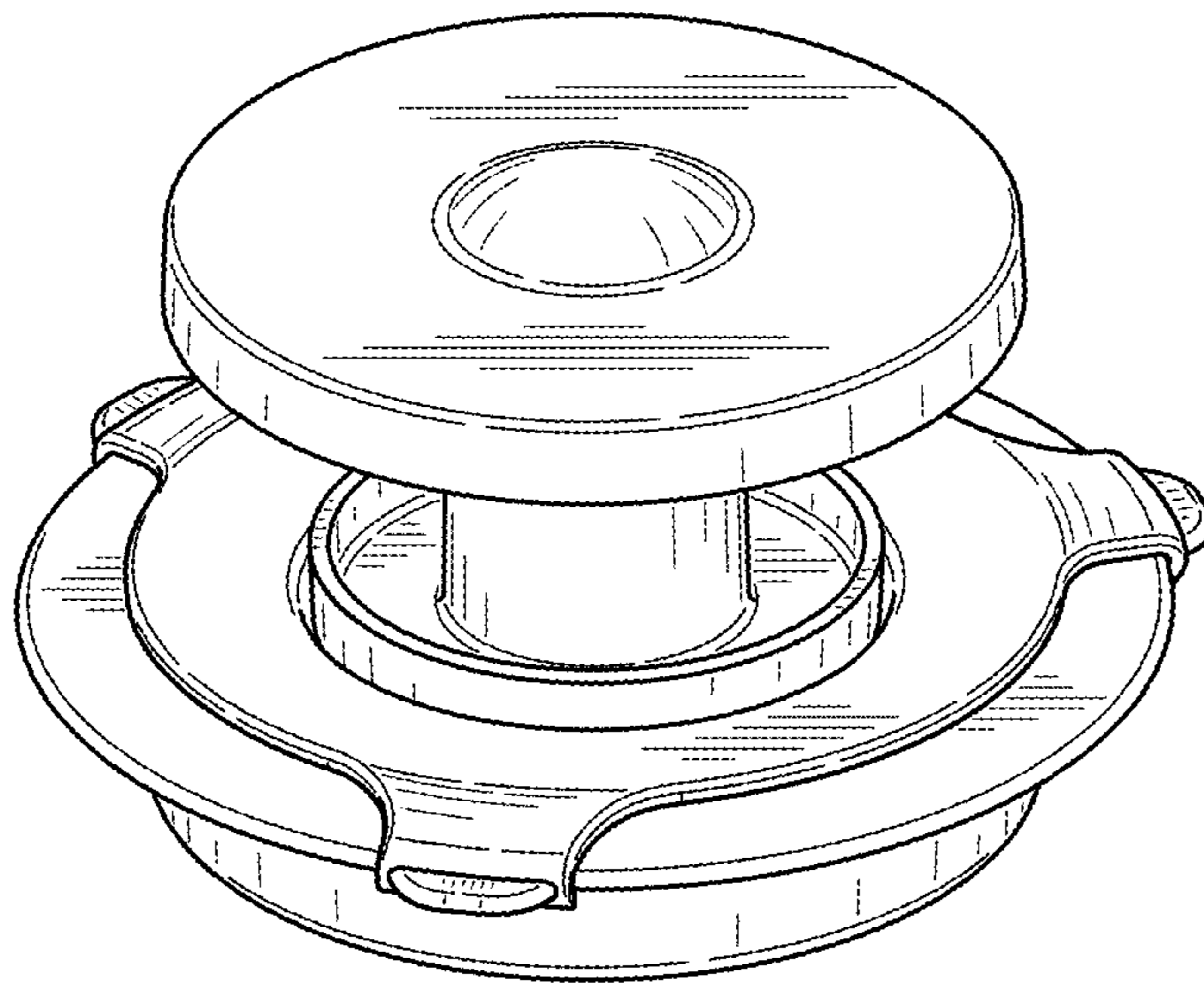


FIG. 8