



US00D817114S

(12) **United States Design Patent** (10) **Patent No.:** **US D817,114 S**  
**Beckman** (45) **Date of Patent:** **\*\* May 8, 2018**

(54) **COMBINED BEVERAGE AND FOOD CONTAINER**

D587,533 S \* 3/2009 Carreno ..... D7/608  
D660,084 S \* 5/2012 Gilbert ..... D7/510  
D685,229 S \* 7/2013 Moran, Sr. .... D7/608  
D700,018 S \* 2/2014 Thrash ..... D7/608  
D729,011 S \* 5/2015 Boroski ..... D7/511

(71) Applicant: **Pacific Market International, LLC**,  
Seattle, WA (US)

\* cited by examiner

(72) Inventor: **Michael Carl Beckman**, Ellensburg,  
WA (US)

*Primary Examiner* — Terry A Wallace

(73) Assignee: **Pacific Market International, LLC**,  
Seattle, WA (US)

(74) *Attorney, Agent, or Firm* — George C. Rondeau, Jr.;  
Davis Wright Tremaine LLP

(\*\*) Term: **15 Years**

(57) **CLAIM**

The ornamental design for a combined beverage and food container, as shown and described.

(21) Appl. No.: **29/569,055**

**DESCRIPTION**

(22) Filed: **Jun. 23, 2016**

(51) **LOC (11) Cl.** ..... **07-07**

(52) **U.S. Cl.**

USPC ..... **D7/629**; D7/608

(58) **Field of Classification Search**

USPC ..... D7/605–608, 509–511, 500–505, 443,  
D7/516, 558, 522, 532

CPC ..... A47G 19/2205; A47G 19/23; A47G  
19/2272; A47G 2019/2294; A47J 41/02;  
A47J 41/022; A47J 41/024; A47J 41/026;  
A47J 41/028; A47J 41/00; A47J 41/0077;  
B65D 81/3823; B65D 81/3818; B65D  
81/3846

See application file for complete search history.

FIG. 1 is a top perspective view of a combined beverage and food container showing my new design.

FIG. 2 is a bottom perspective view thereof.

FIG. 3 is a front elevational view thereof.

FIG. 4 is a right side elevational view thereof.

FIG. 5 is a rear elevational view thereof.

FIG. 6 is a left side elevational view thereof.

FIG. 7 is a top plan view thereof.

FIG. 8 is a bottom plan view thereof.

FIG. 9 is a top perspective view of a second embodiment thereof.

FIG. 10 is a bottom perspective view thereof.

FIG. 11 is a front elevational view thereof.

FIG. 12 is a right side elevational view thereof.

FIG. 13 is a rear elevational view thereof.

FIG. 14 is a left side elevational view thereof.

FIG. 15 is a top plan view thereof; and,

FIG. 16 is a bottom plan view thereof.

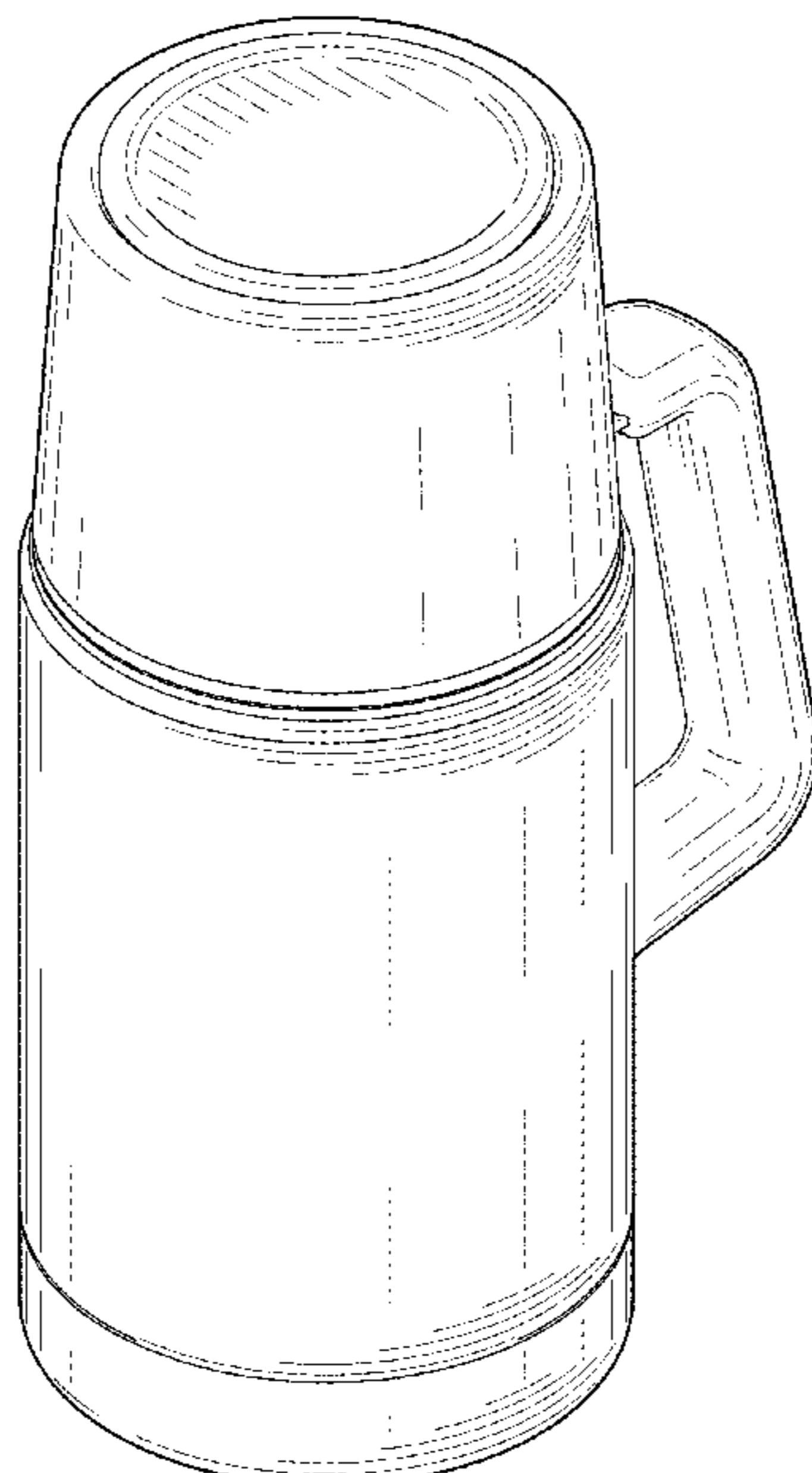
The broken line showing in the figure drawings are included for the purpose of illustration and form no part of the claimed design.

(56) **References Cited**

U.S. PATENT DOCUMENTS

D51,002 S \* 7/1917 Smith ..... D7/608  
2,963,187 A \* 12/1960 Bramming ..... A47J 41/02  
215/12.1  
6,119,888 A \* 9/2000 Goto ..... A47J 41/0083  
215/13.1

**1 Claim, 14 Drawing Sheets**



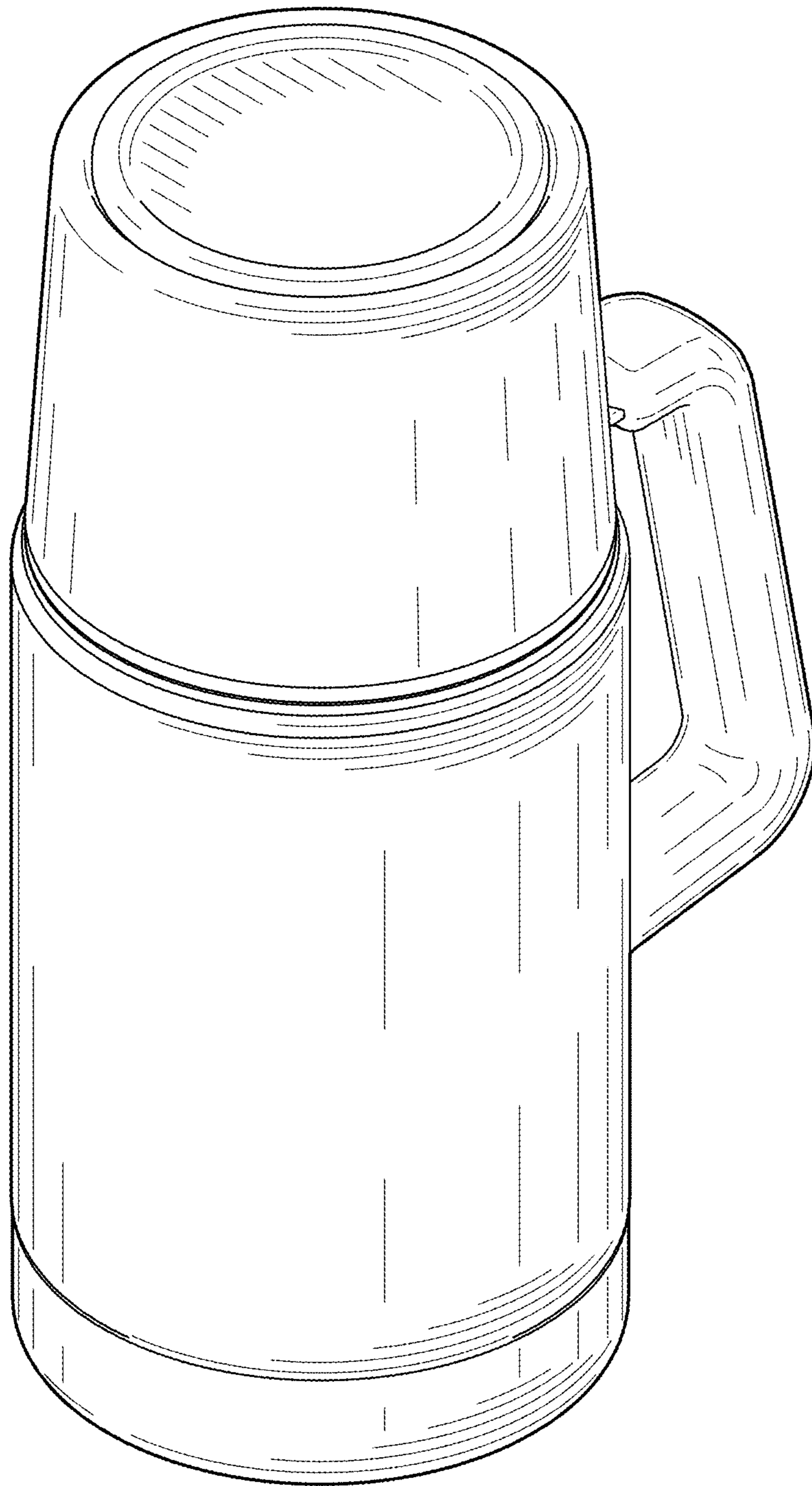


FIG. 1

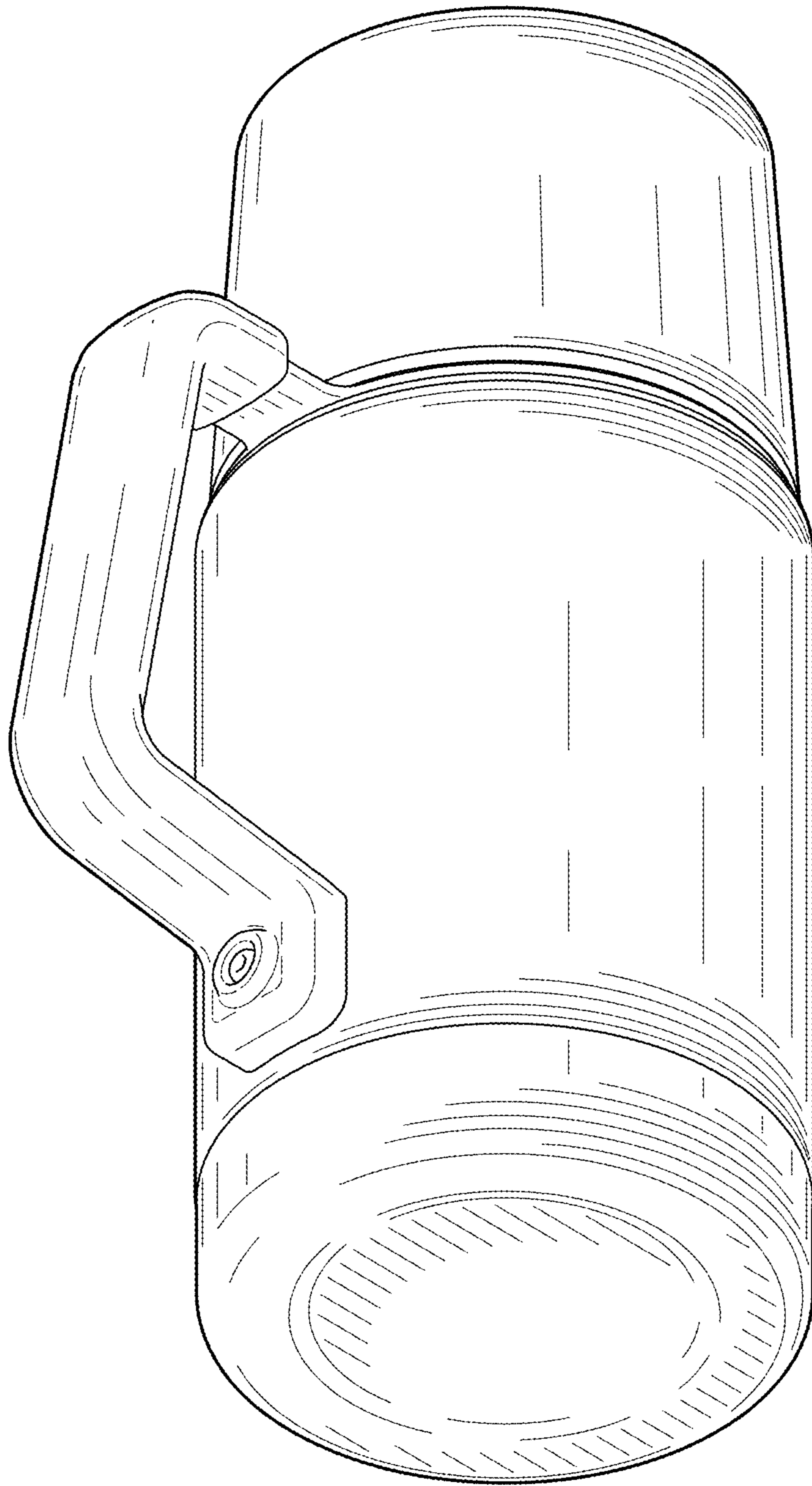


FIG. 2

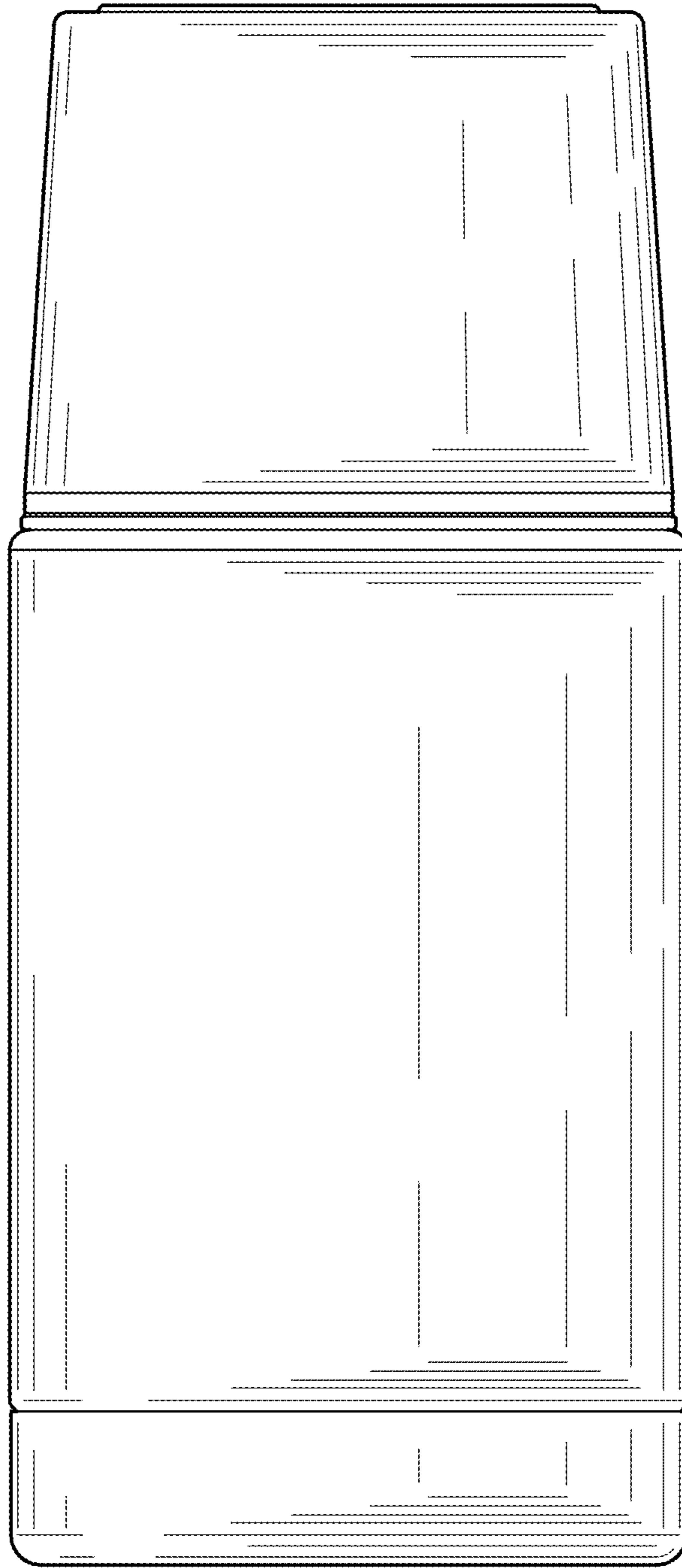


FIG. 3

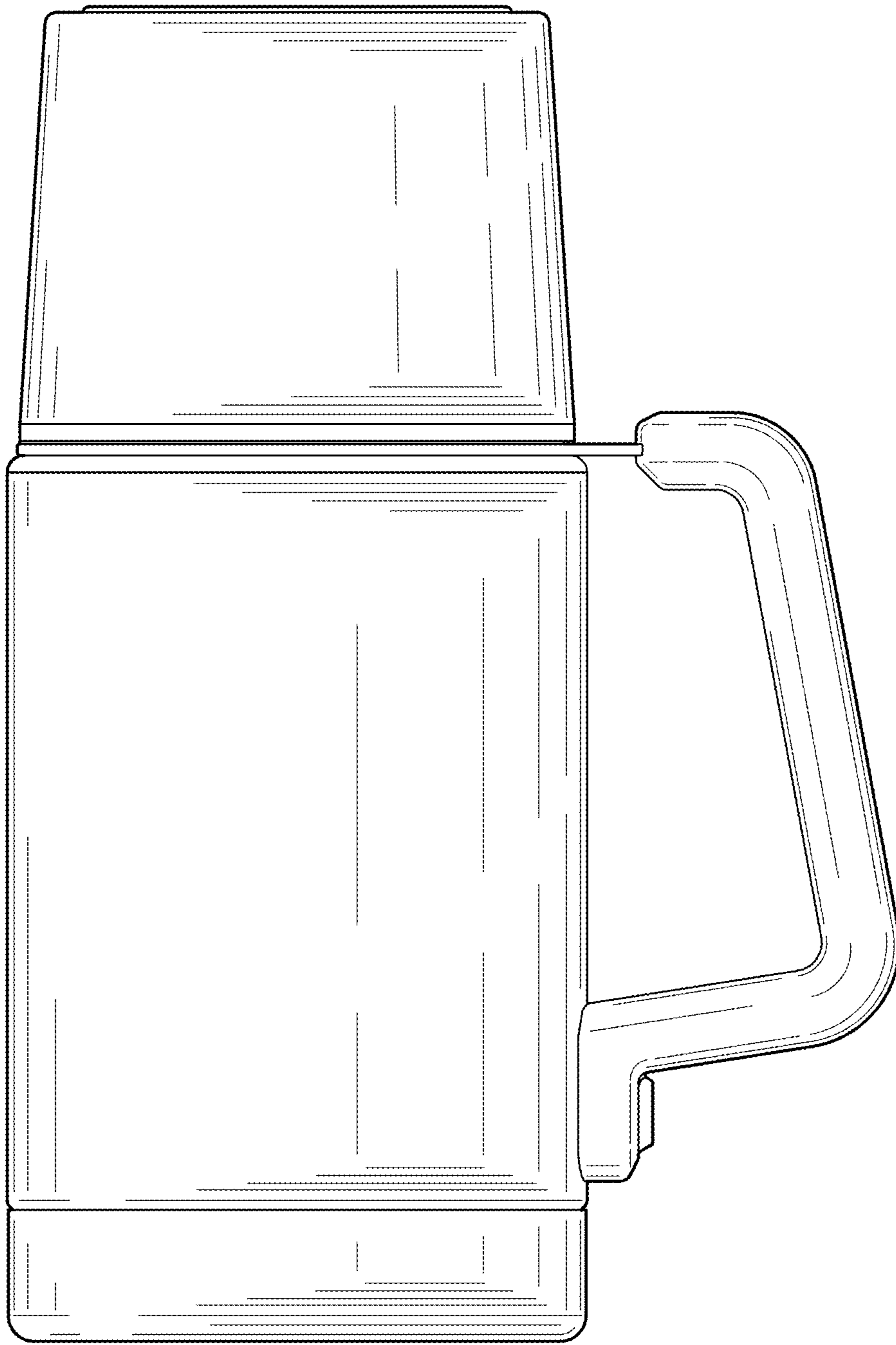


FIG. 4

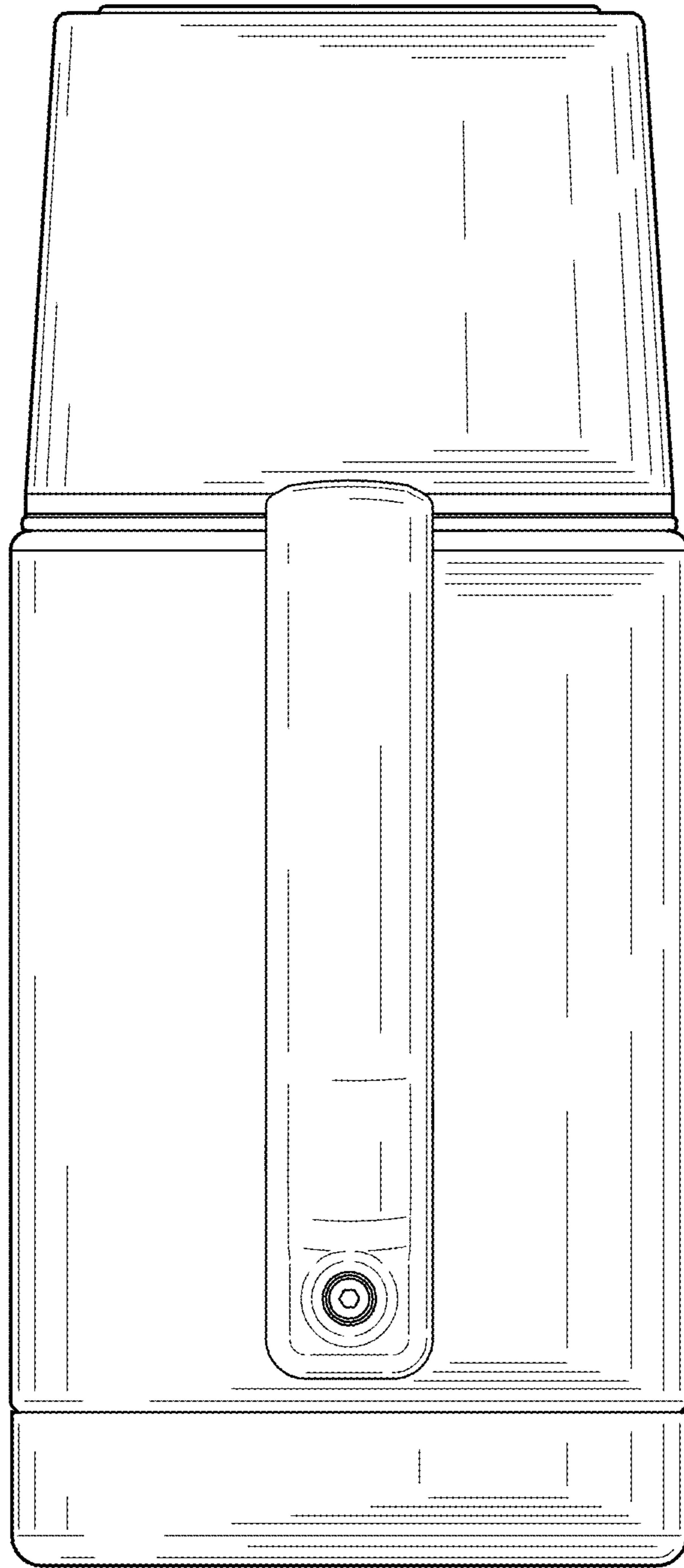


FIG. 5

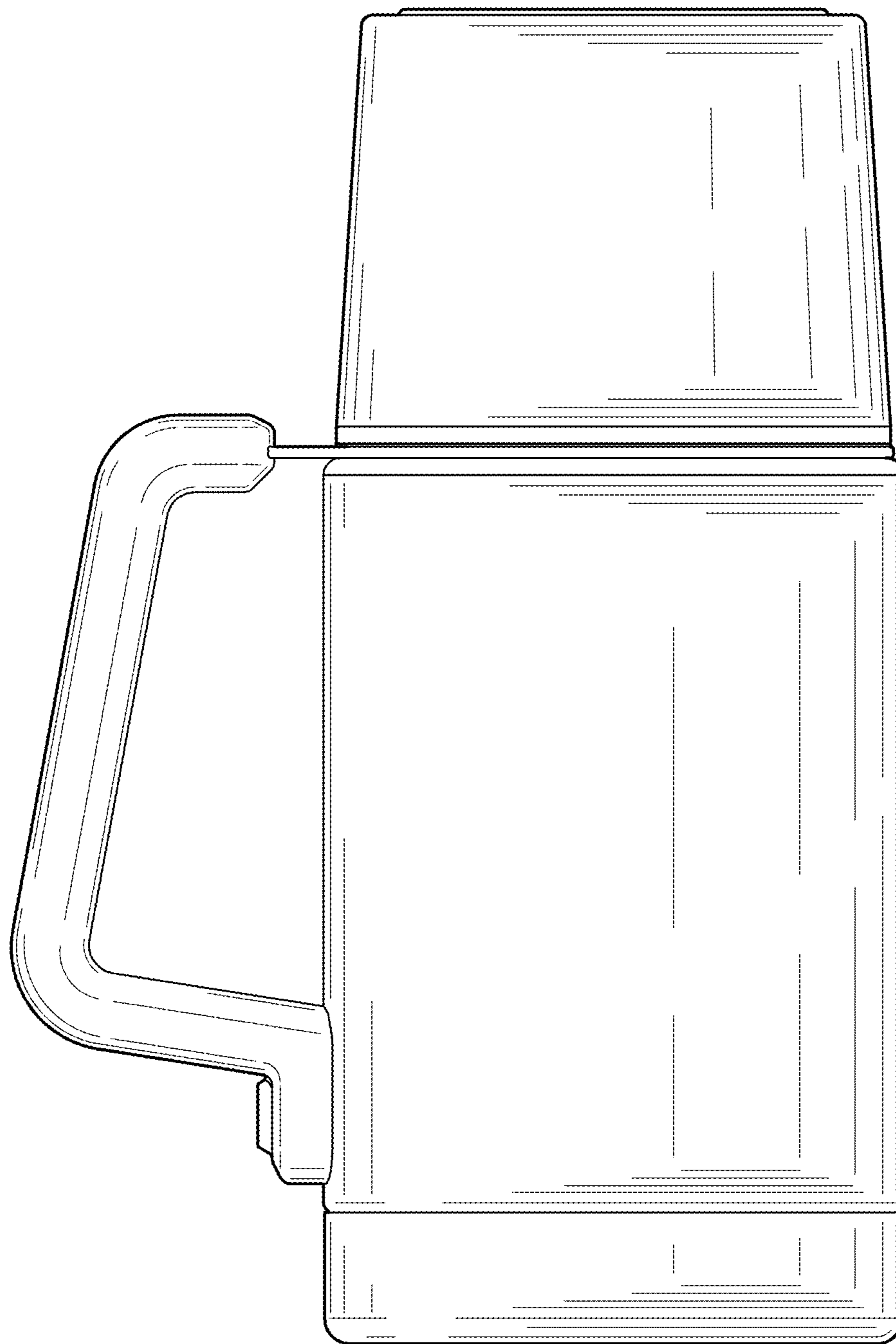


FIG. 6

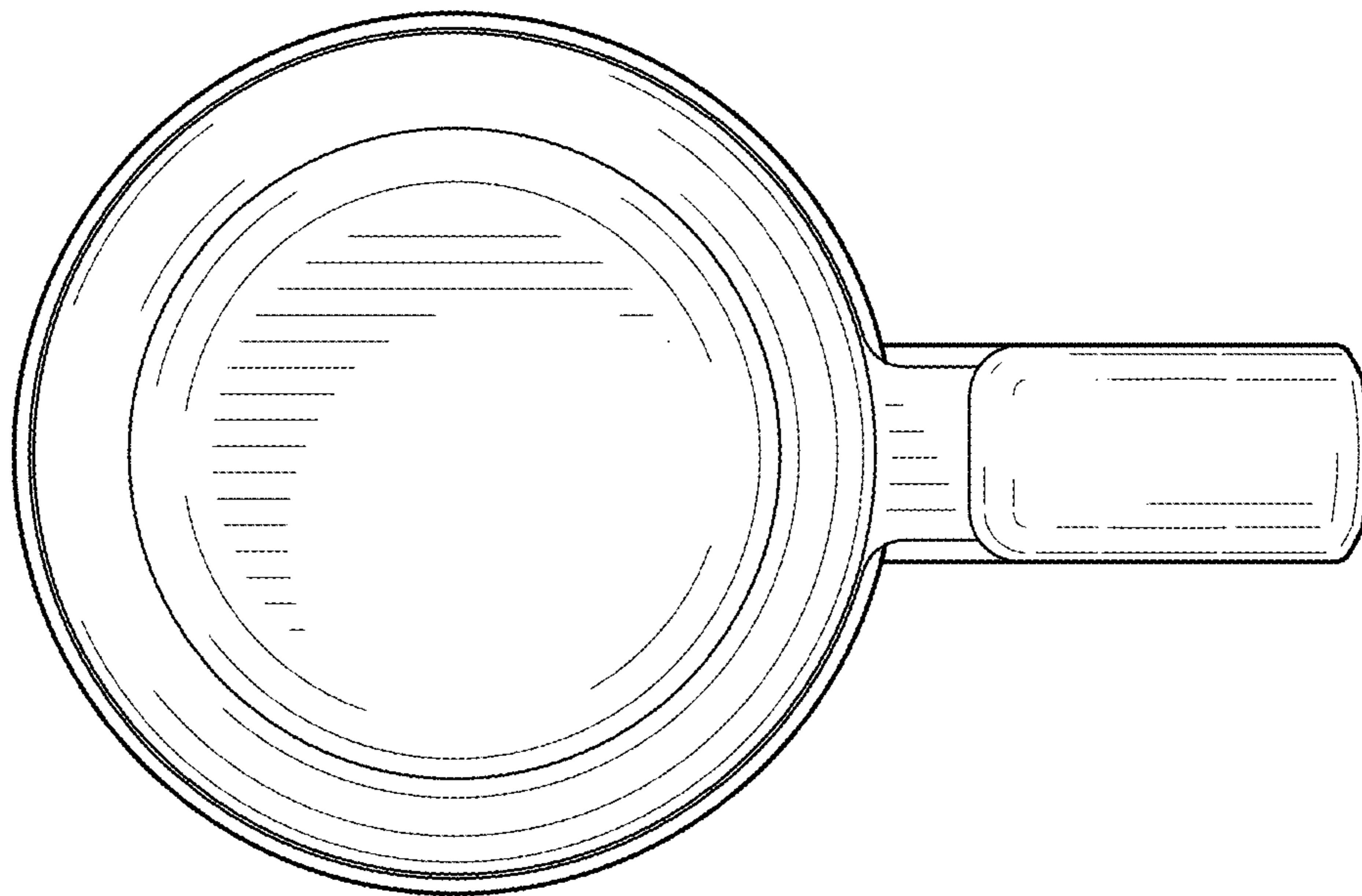


FIG. 7

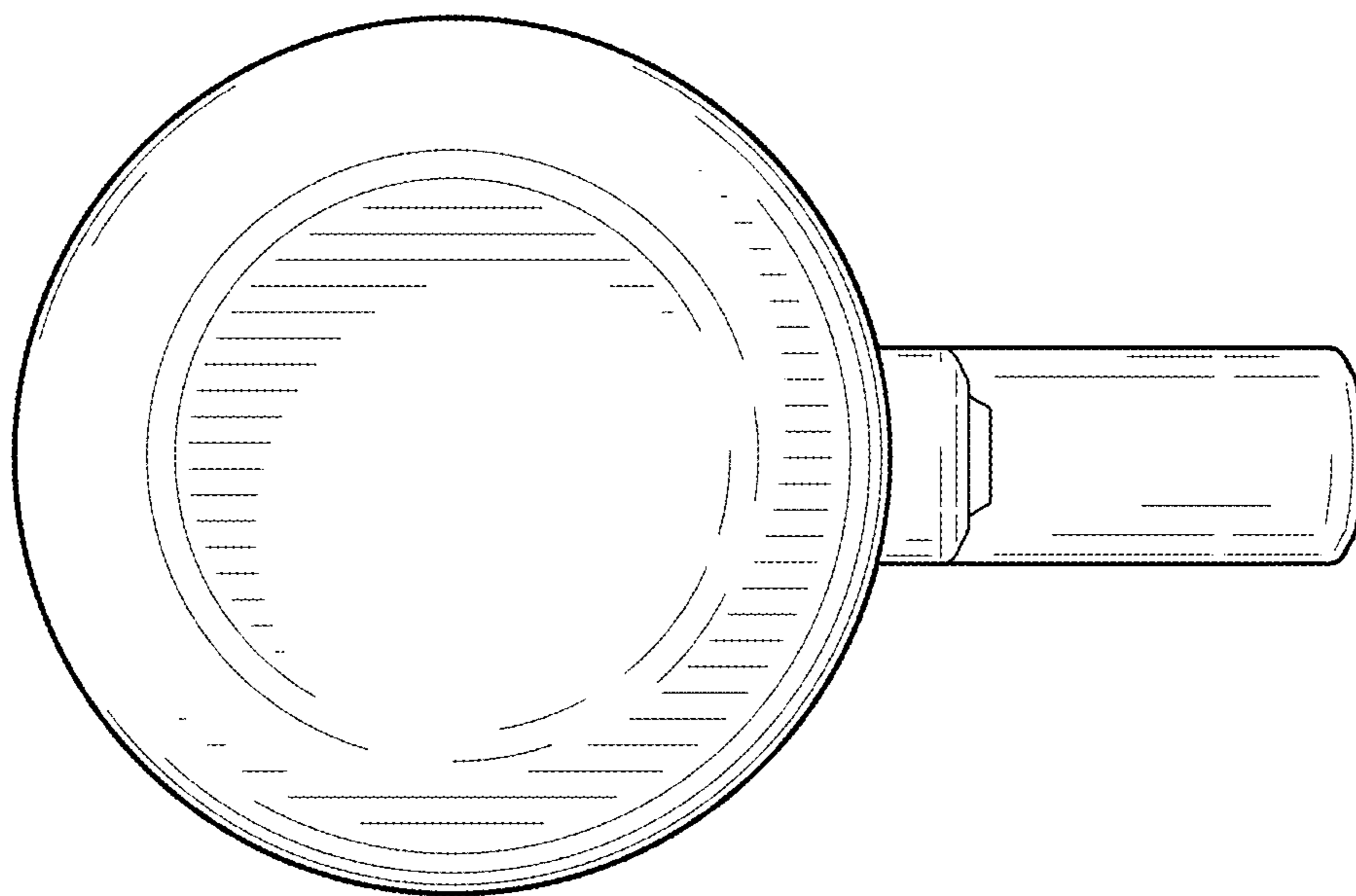


FIG. 8



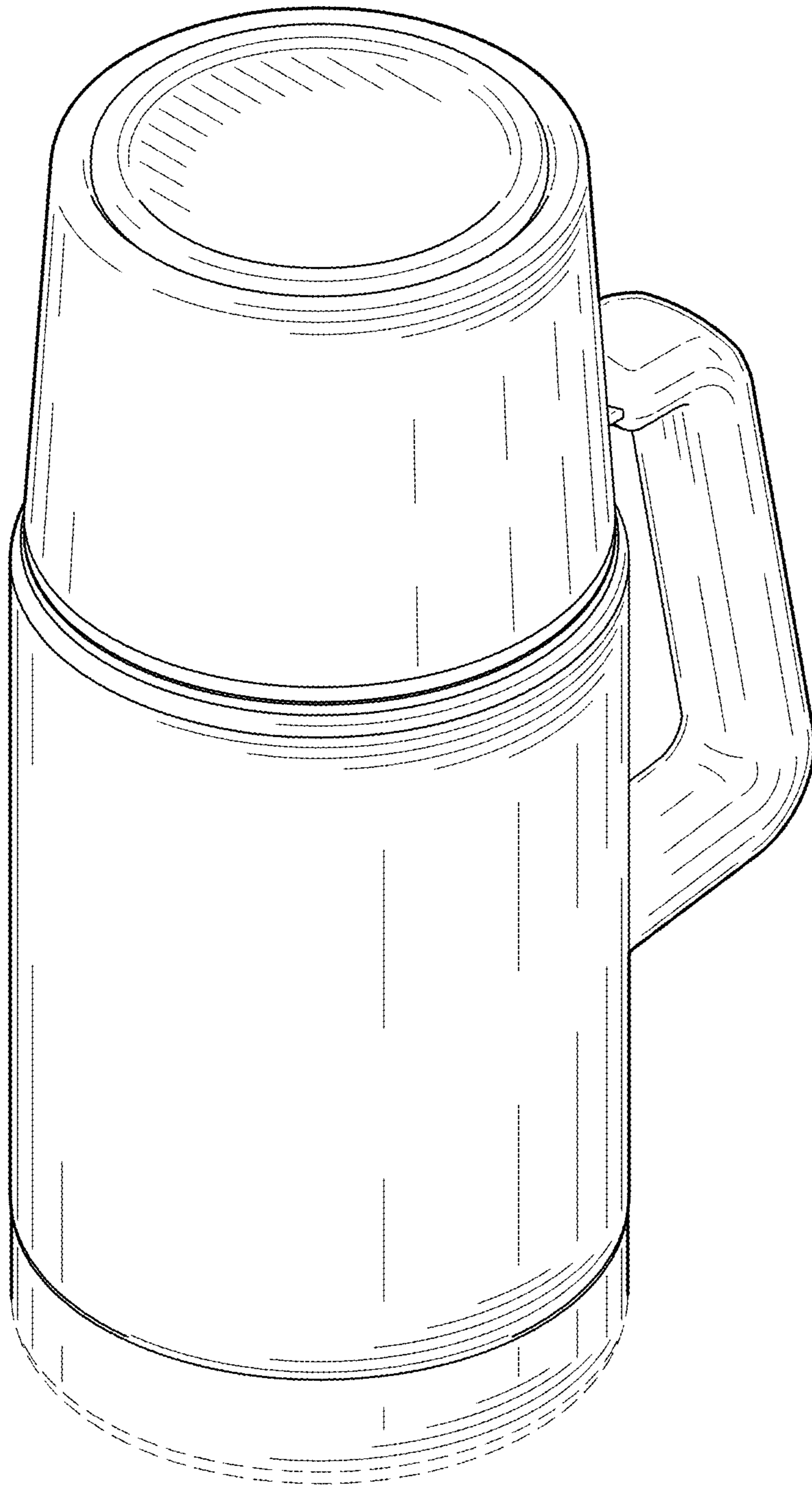


FIG. 9

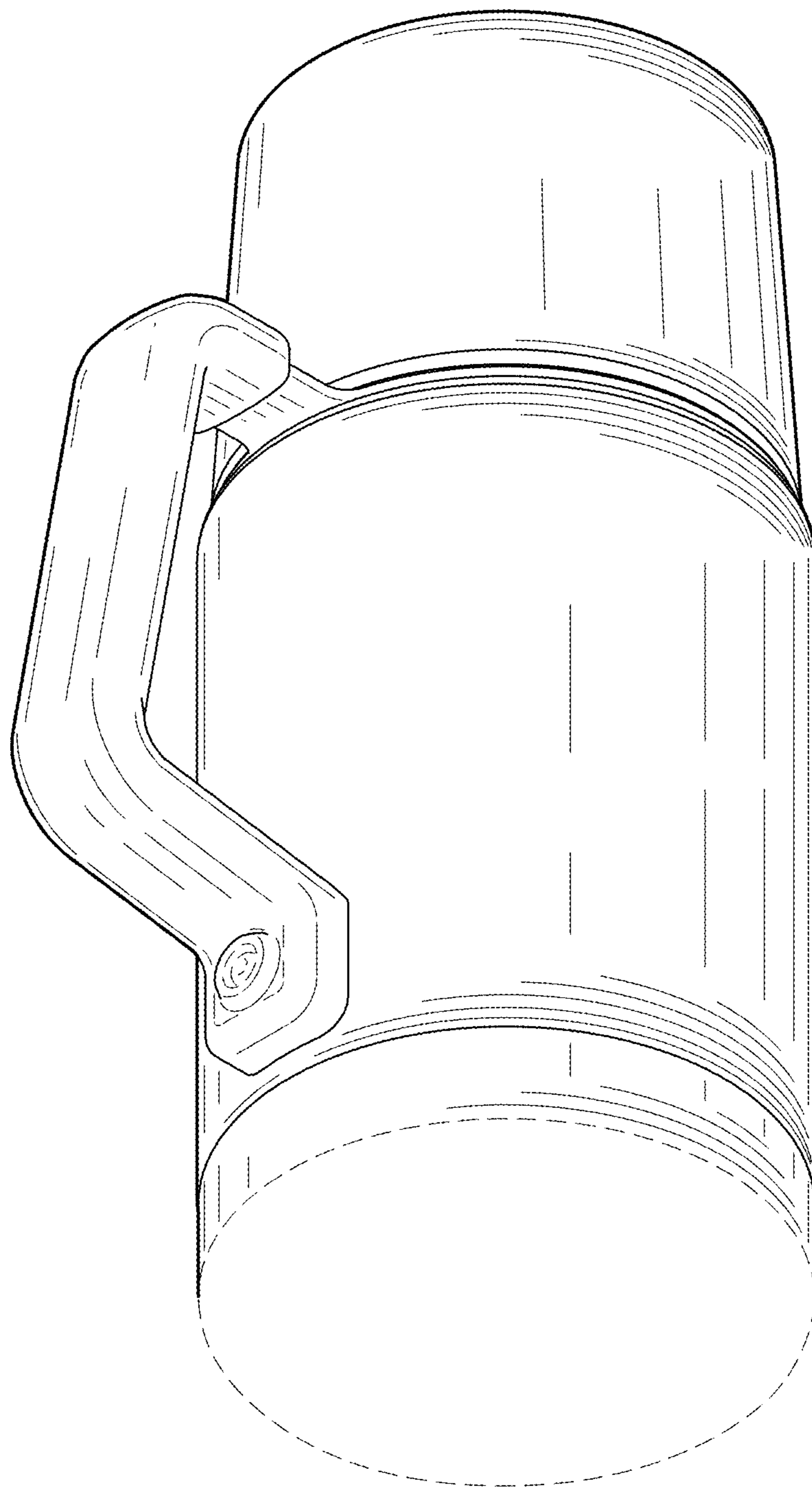


FIG. 10

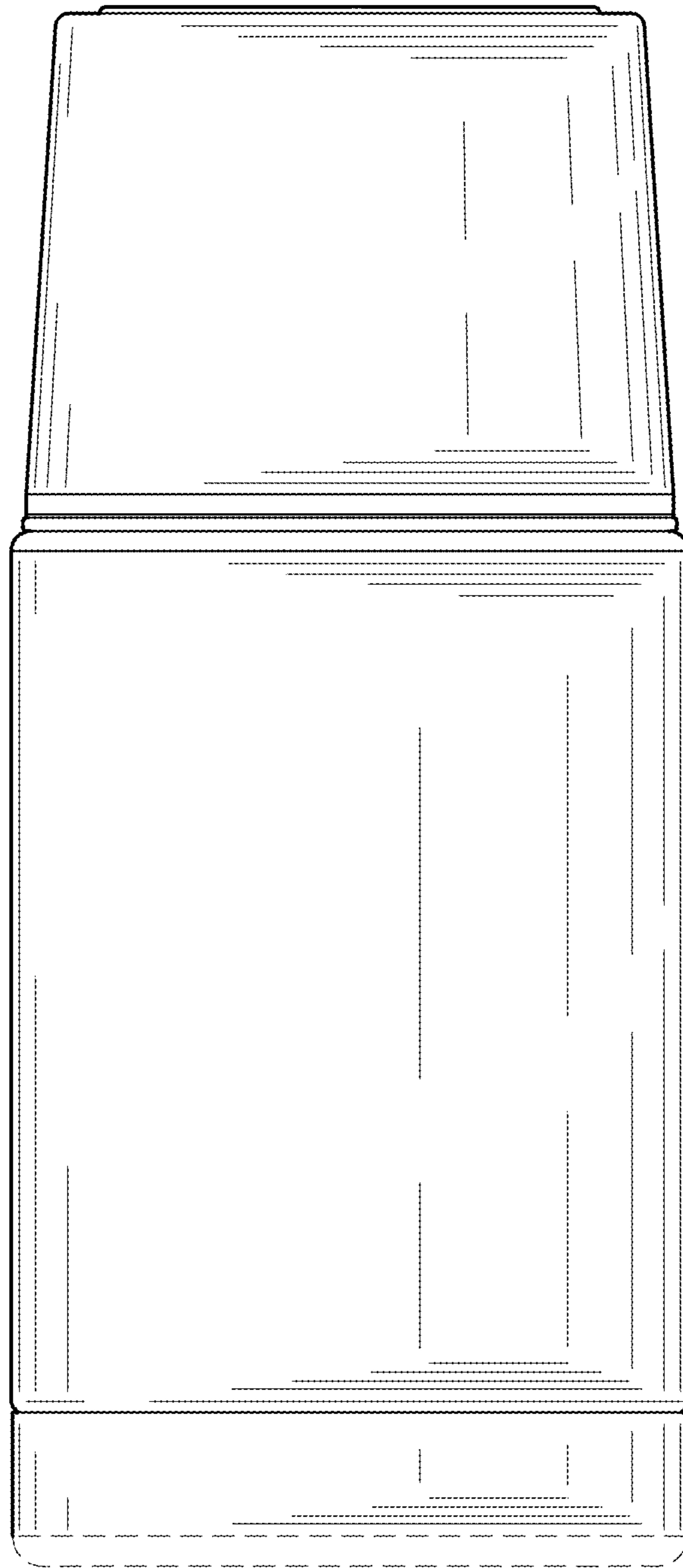


FIG. 11

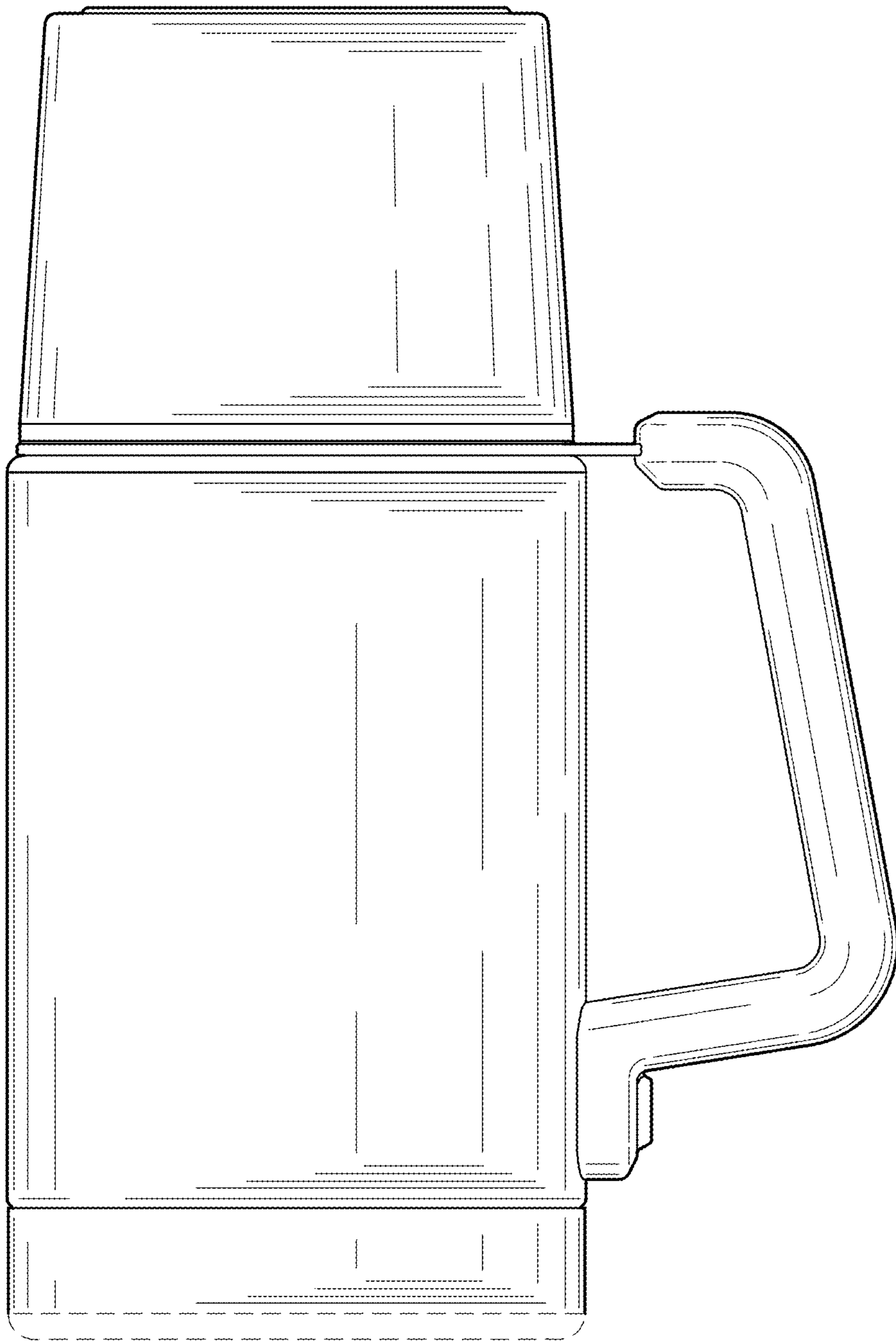


FIG. 12

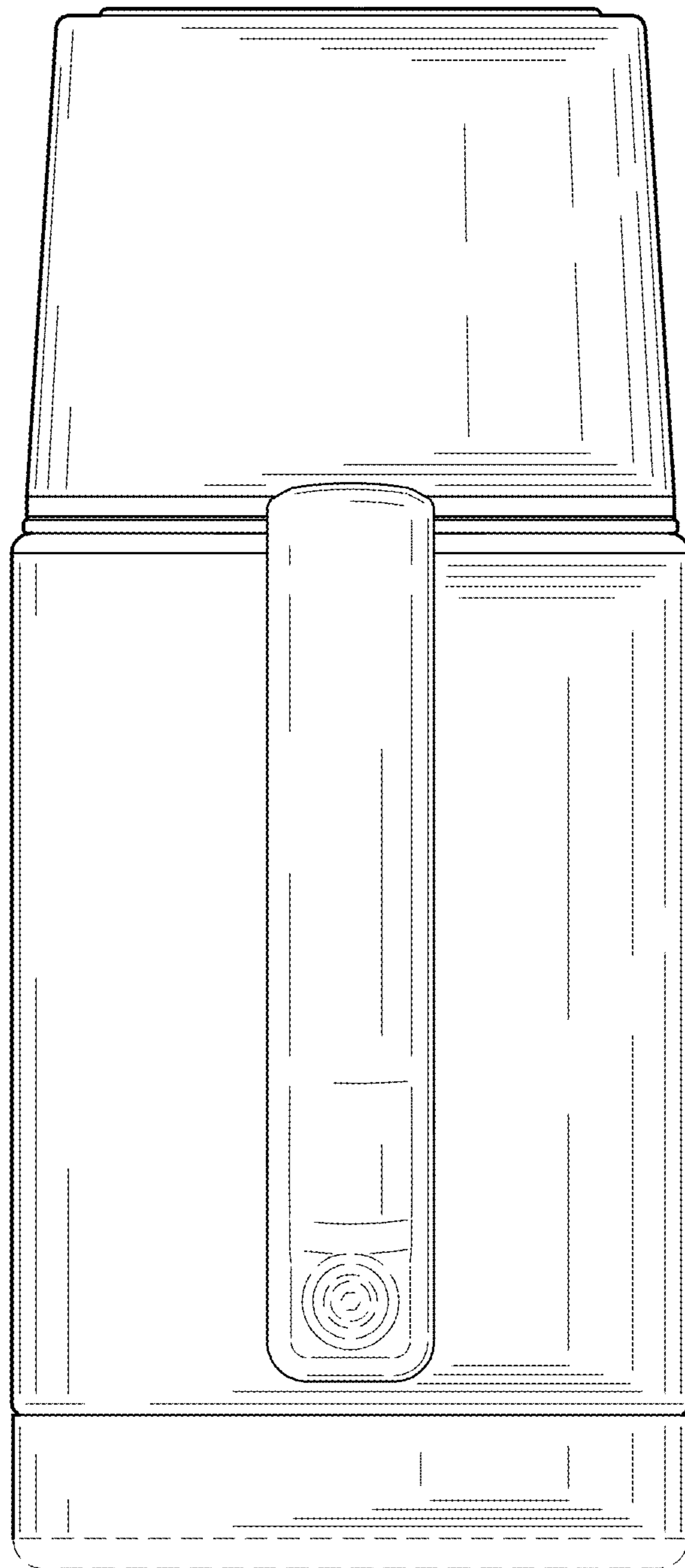


FIG. 13

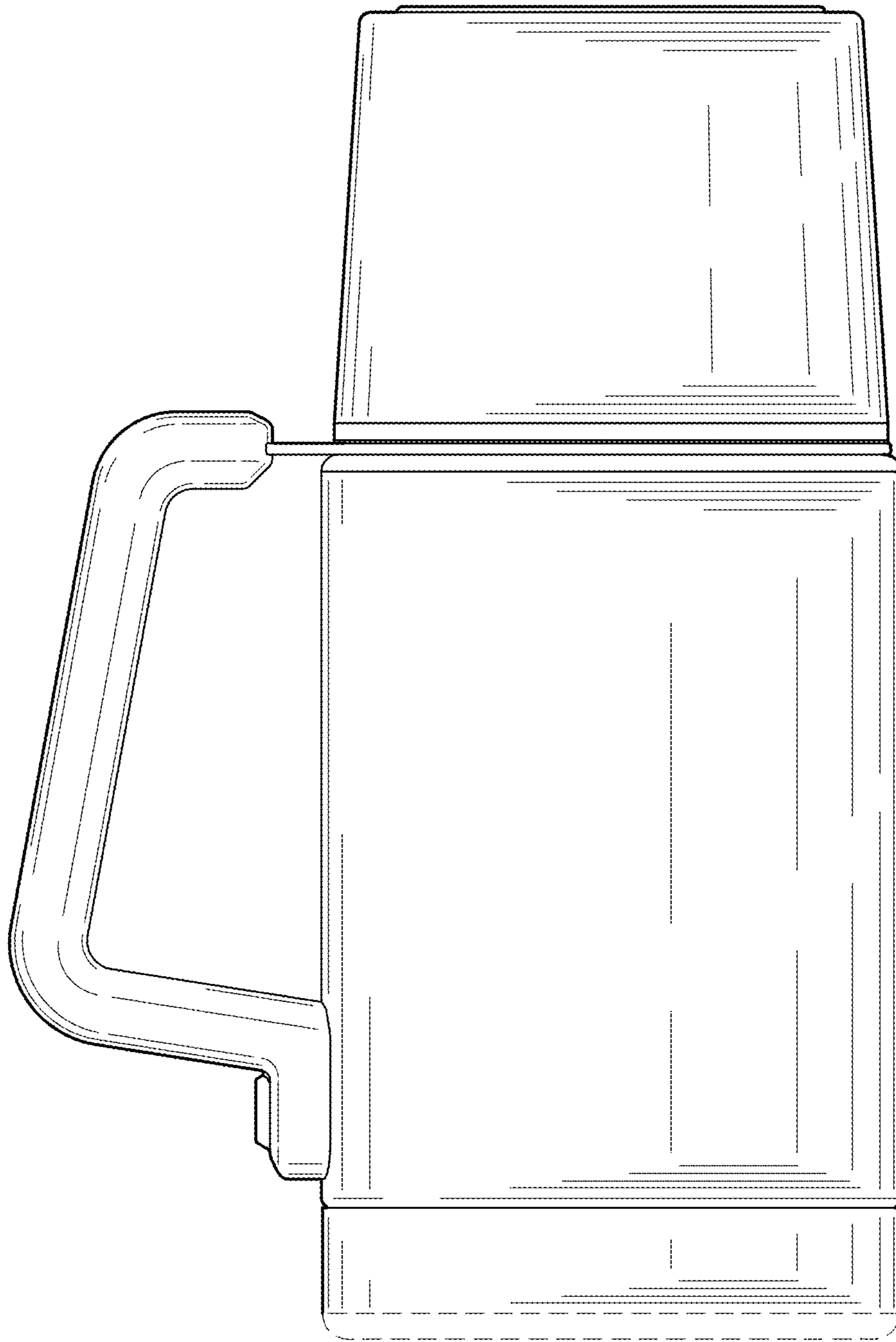


FIG. 14

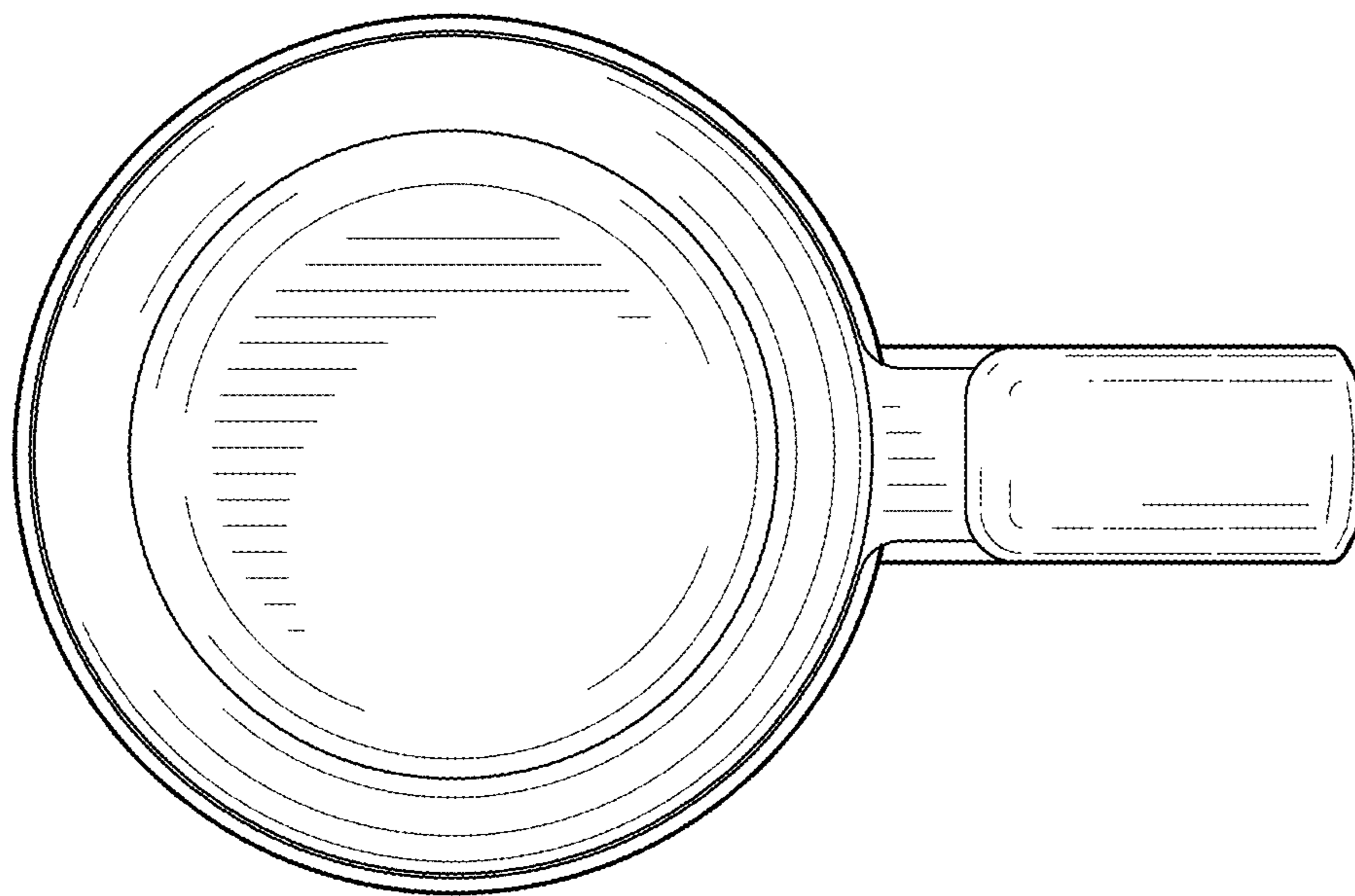


FIG. 15

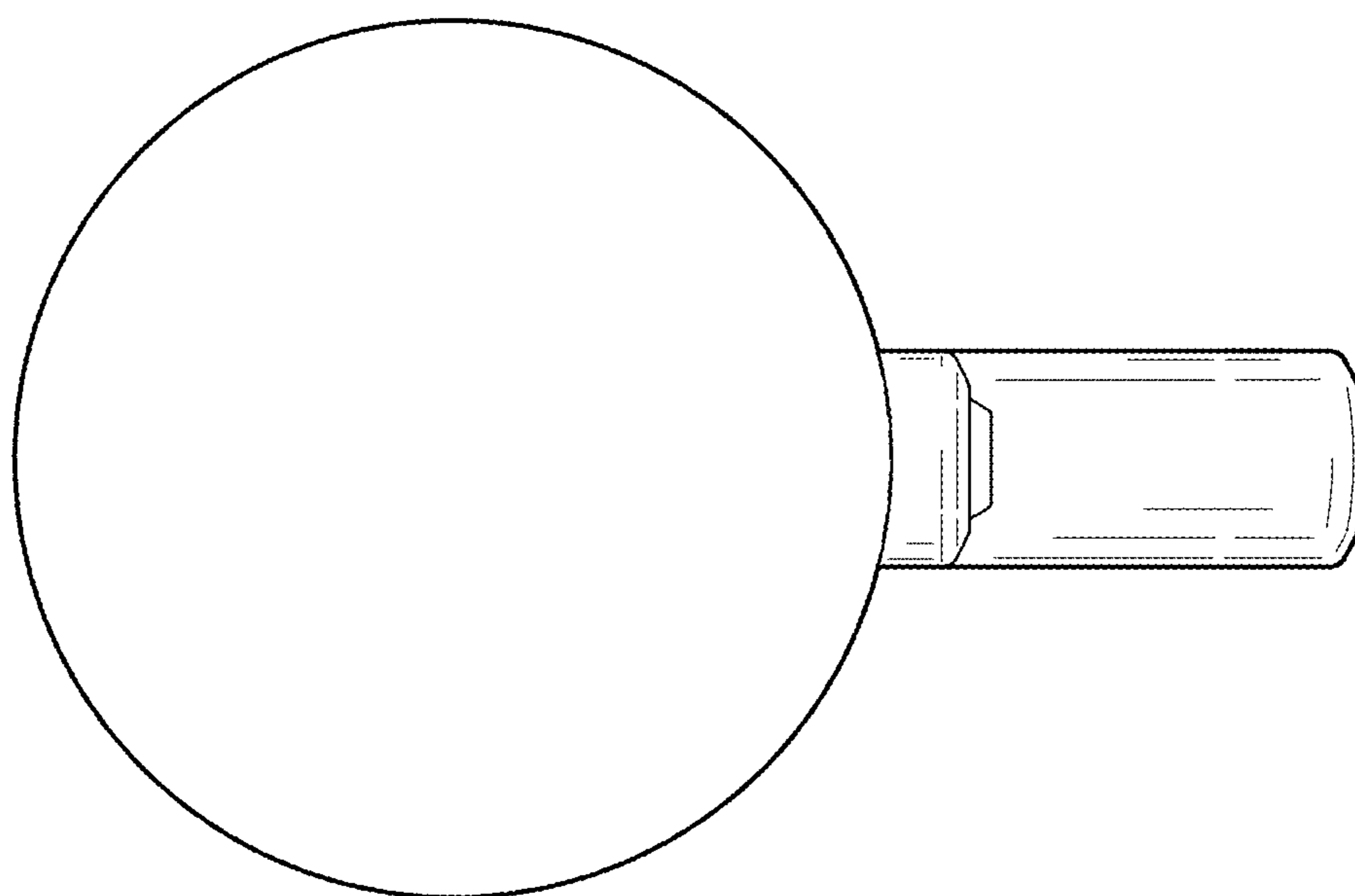


FIG. 16