



US00D817112S

(12) **United States Design Patent**
Jarvis et al.

(10) **Patent No.:** **US D817,112 S**

(45) **Date of Patent:** **** May 8, 2018**

(54) **FOOD STORAGE BOX**

(71) Applicant: **CAMBRO MANUFACTURING COMPANY**, Huntington Beach, CA (US)

(72) Inventors: **Charles W. Jarvis**, Irvine, CA (US);
Pietro Brattoli, Neckartenzlingen (DE);
Ernest F. Freeman, Rancho Santa Margarita, CA (US)

(73) Assignee: **Cambro Manufacturing Company.**, Huntington Beach, CA (US)

(**) Term: **15 Years**

(21) Appl. No.: **29/548,477**

(22) Filed: **Dec. 14, 2015**

(51) **LOC (11) Cl.** **09-07**

(52) **U.S. Cl.**

USPC **D7/629**

(58) **Field of Classification Search**

USPC D7/629, 630, 601, 602, 538-542, 612, D7/608, 300, 312, 316, 323, 353, 900, D7/387, 368, 388, 397, 402, 403, 412, D7/500, 550.1, 552.1, 552.2, 553.1, D7/553.2, 553.3, 554.4, 555, 701-710, D7/603, 604, 605, 606, 609, 613, 614, D7/619.1, 619.2, 622, 623, 628; D9/424-433, 445, 500, 501, 503, 504, D9/516, 549, 575, 415-419, 737, 761, D9/760, 759, 756, 479, 478, 420, 421, D9/430-433; D19/102, 75, 77; D8/71
CPC B65D 85/50; B65D 85/505; B65D 85/52; B65D 43/02; B65D 1/26; B65D 43/0206; B65D 43/0214; B65D 6/00; B65D 81/3813; B65D 81/18; A47J 47/01; A47J 42/14; A47J 42/34; A47J 42/50; A47J 47/02; A47J 47/08; A47J 47/10; A47J 41/00; A21B 1/52; H05B 3/02; F25D 3/08; F25D 3/06; F25D 2201/126; F25D

2500/04; F25D 23/069; F25D 23/028; F25D 2303/08222; F25D 2331/804; F25D 2400/16; F25D 2400/1238; F25D 27/00; B62B 1/10

See application file for complete search history.

(56) **References Cited**

U.S. PATENT DOCUMENTS

2,543,524 A * 2/1951 De Oliveira A45C 11/20
165/58

D193,070 S * 6/1962 Friday, Jr. D9/421
(Continued)

Primary Examiner — Shannon W Morgan

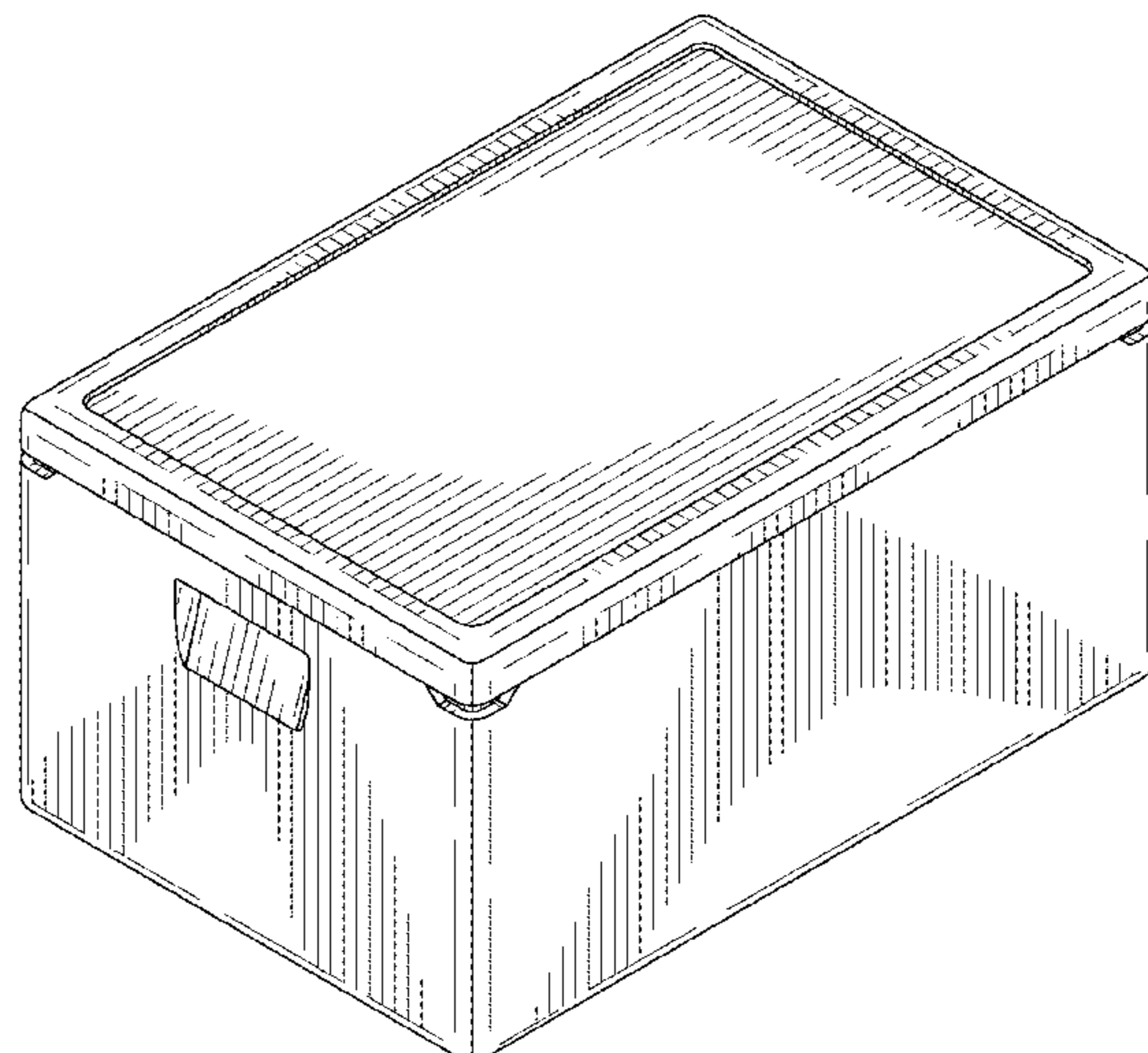
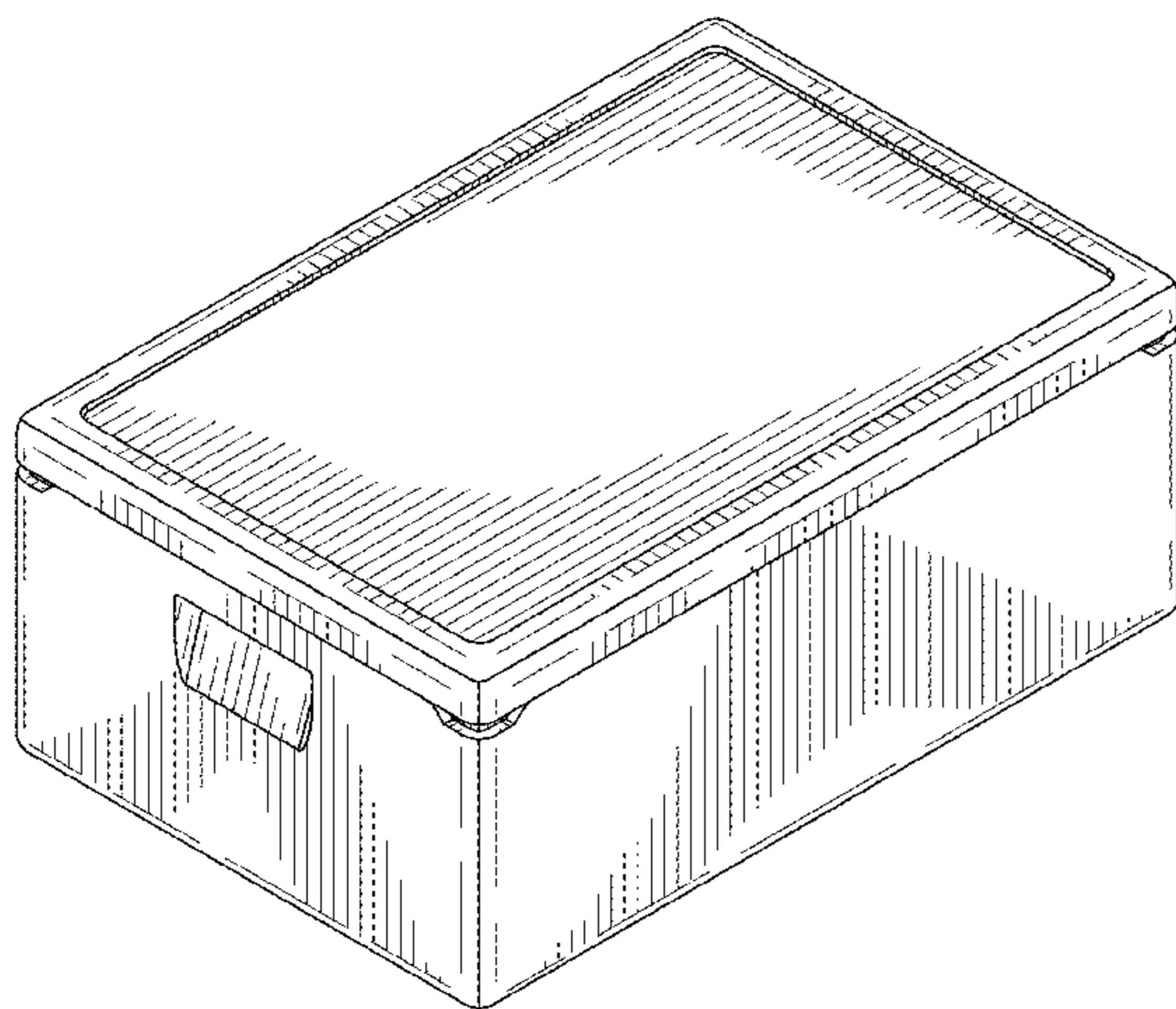
(57) **CLAIM**

The ornamental design for a food storage box, as shown and described.

DESCRIPTION

FIG. 1 is a front, right side perspective view of a first embodiment of a food storage box showing the new design; FIG. 2 is a left side elevational view thereof; FIG. 3 is a front elevational view thereof; FIG. 4 is a top plan view thereof; FIG. 5 is a bottom plan view thereof; FIG. 6 is a right side elevational view thereof; FIG. 7 is a rear elevational view thereof; FIG. 8 is a front, right side perspective view of a second embodiment of a food storage box showing the new design; FIG. 9 is a left side elevational view thereof; FIG. 10 is a front elevational view thereof; FIG. 11 is a top plan view thereof; FIG. 12 is a bottom plan thereof; FIG. 13 is a right side elevational view thereof; and, FIG. 14 is a rear elevational view thereof. The broken lines shown in FIGS. 5 and 12 depict portions of the food storage box that form no part of the claimed design.

1 Claim, 6 Drawing Sheets



US D817,112 S

(56)

References Cited

U.S. PATENT DOCUMENTS

3,782,602	A *	1/1974	Page	B65D 21/0219 206/509
D238,148	S *	12/1975	Dilot	D7/629
D240,205	S *	6/1976	Visser	D3/302
4,441,336	A *	4/1984	Cannon	F25D 3/08 62/371
4,759,190	A *	7/1988	Trachtenberg	B60N 3/103 62/3.62
D311,114	S *	10/1990	Orton	D7/605
D330,148	S *	10/1992	Pinkston	D7/629
5,493,874	A *	2/1996	Landgrebe	A47J 47/14 62/263
5,570,588	A *	11/1996	Lowe	B65D 81/3818 62/457.7
5,605,056	A *	2/1997	Brown	A01K 97/04 312/210
5,671,611	A *	9/1997	Quigley	F25D 3/08 62/371
5,727,844	A *	3/1998	O'Quinn	A47C 3/16 206/216
D474,688	S *	5/2003	Litts	D3/295
D484,304	S *	12/2003	Sanderson	D3/203.1
D587,072	S *	2/2009	Friedman	D7/605
D688,940	S *	9/2013	Barratt	D9/432
D693,183	S *	11/2013	Lyles	D7/605
D703,007	S *	4/2014	McCarthy	D7/605
D744,786	S *	12/2015	Bagwell	D7/605
9,199,782	B1 *	12/2015	Cliatt	B65D 81/3813
D746,642	S *	1/2016	Rolfes	D7/605
D749,914	S *	2/2016	Jeon	D7/629
D769,078	S *	10/2016	Henderson	D7/605
D773,254	S *	12/2016	Jarvis	D7/605
D773,899	S *	12/2016	Jarvis	D7/605
9,555,946	B1 *	1/2017	Warman	F25D 3/08
2003/0085215	A1 *	5/2003	Rix	A61J 1/165 219/386
2003/0173361	A1 *	9/2003	Lee	B65D 21/0233 220/23.88
2006/0053828	A1 *	3/2006	Shallman	F25D 3/14 62/457.9
2009/0031750	A1 *	2/2009	Whillock, Sr.	F25B 21/02 62/344
2011/0220531	A1 *	9/2011	Meether	B62B 3/02 206/508
2012/0285955	A1 *	11/2012	Tarble	B65D 77/0453 220/23.88
2013/0033854	A1 *	2/2013	Statham	F25D 27/00 362/154
2013/0153584	A1 *	6/2013	Balleck	F25D 3/08 220/592.01
2014/0223952	A1 *	8/2014	Smith	A45C 11/20 62/457.1
2016/0161177	A1 *	6/2016	Bond	A45C 11/20 220/735
2016/0187045	A1 *	6/2016	McGarry	F25D 3/06 62/457.1
2017/0003063	A1 *	1/2017	Jackson	F25D 3/08

* cited by examiner

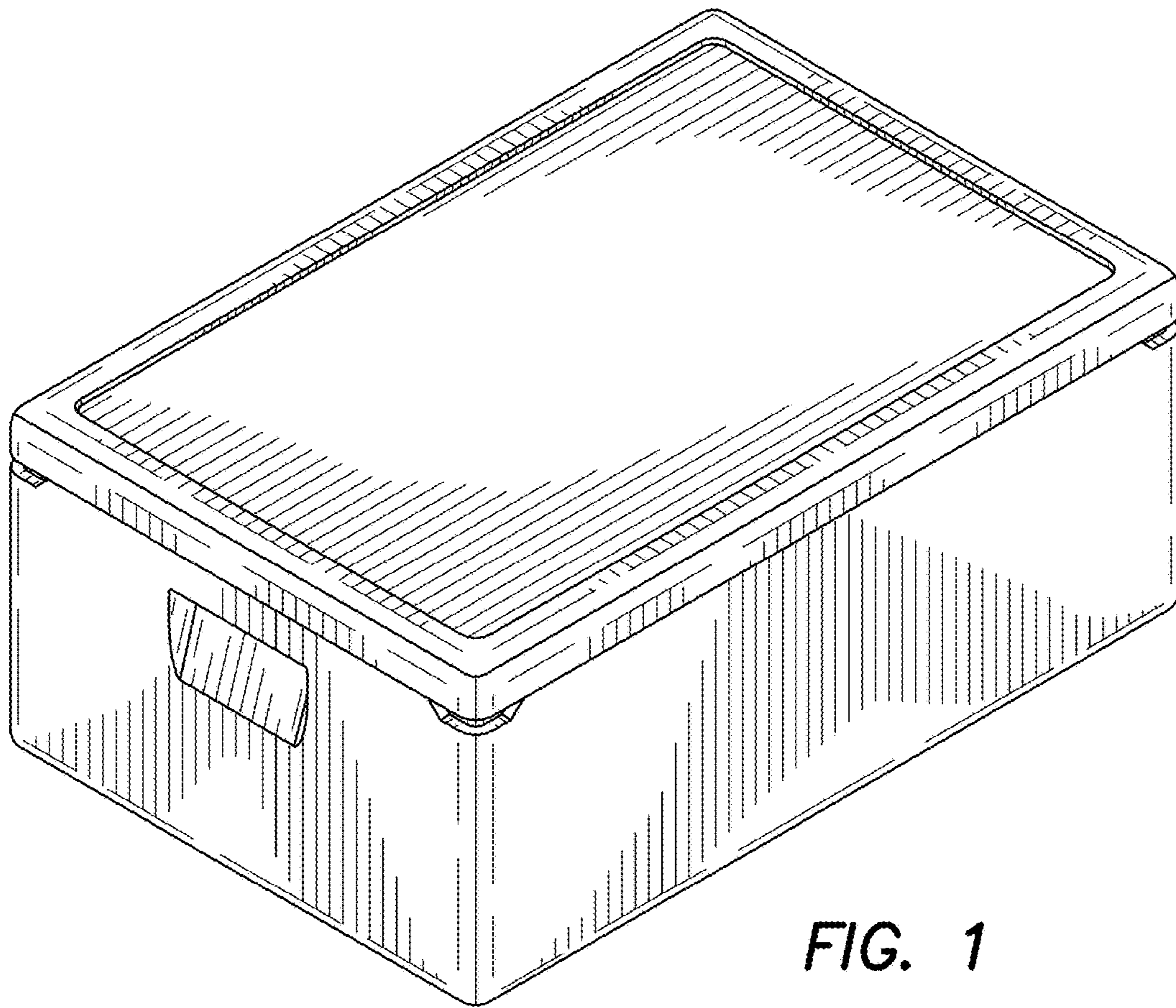
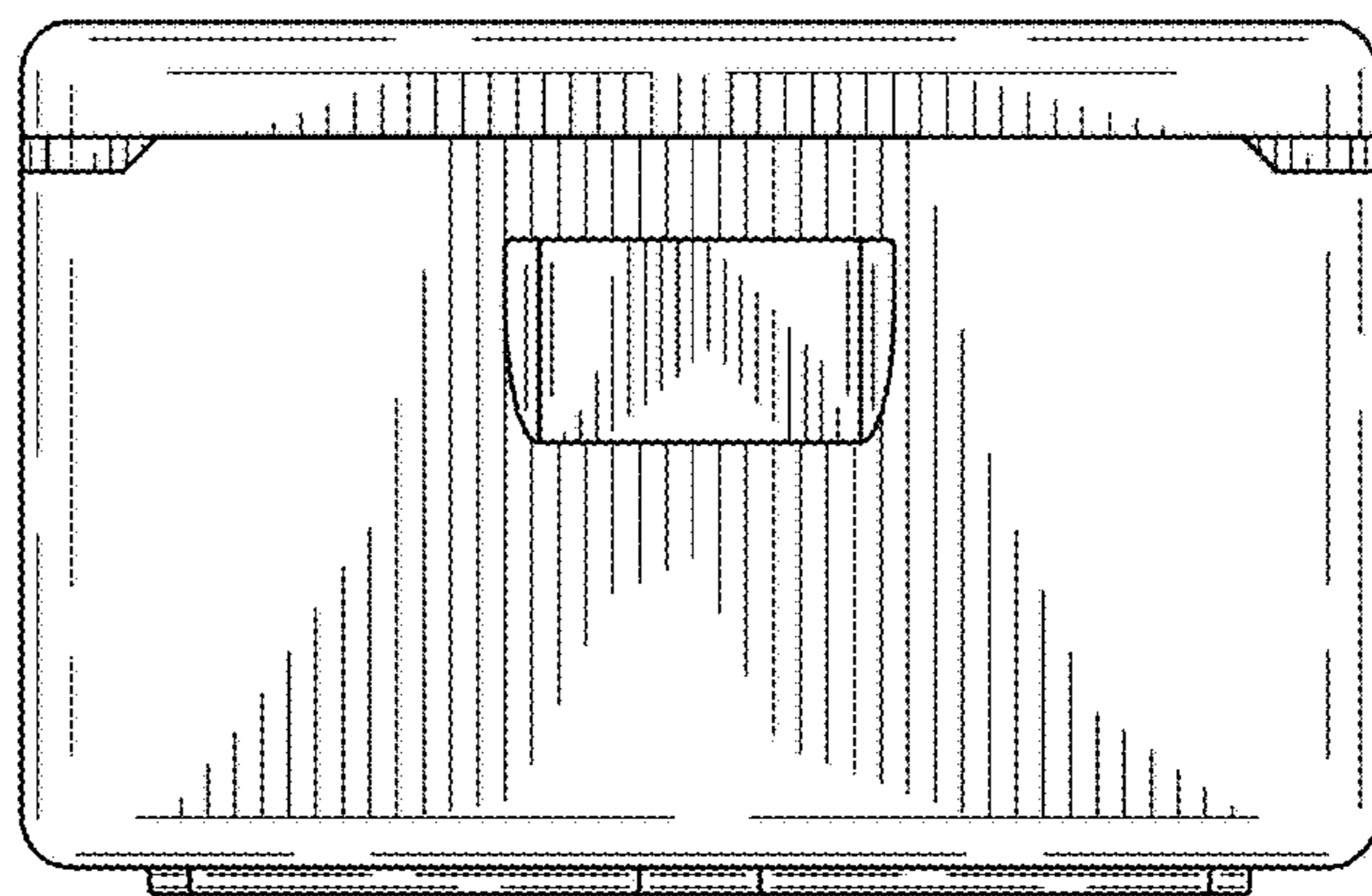


FIG. 1

FIG. 2



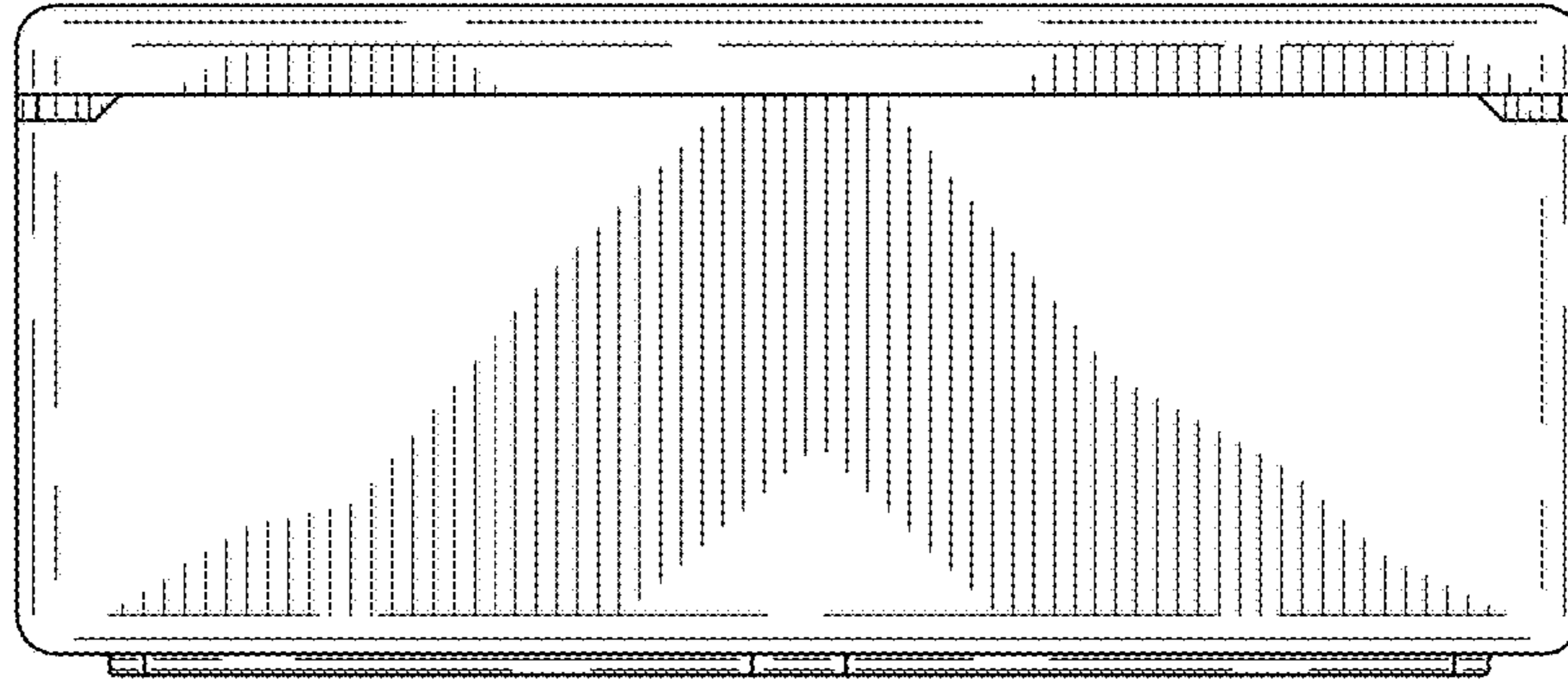


FIG. 3

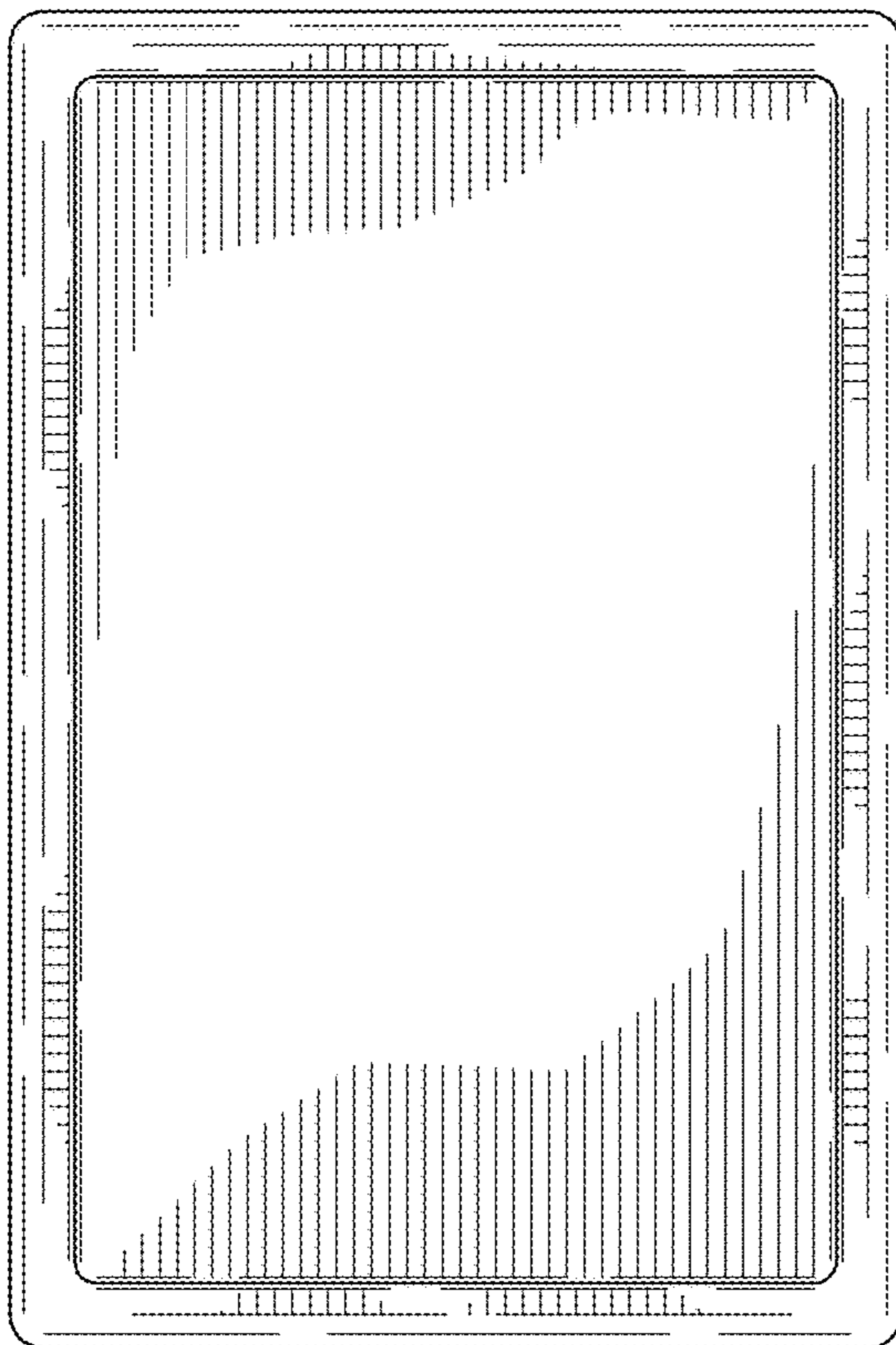


FIG. 4

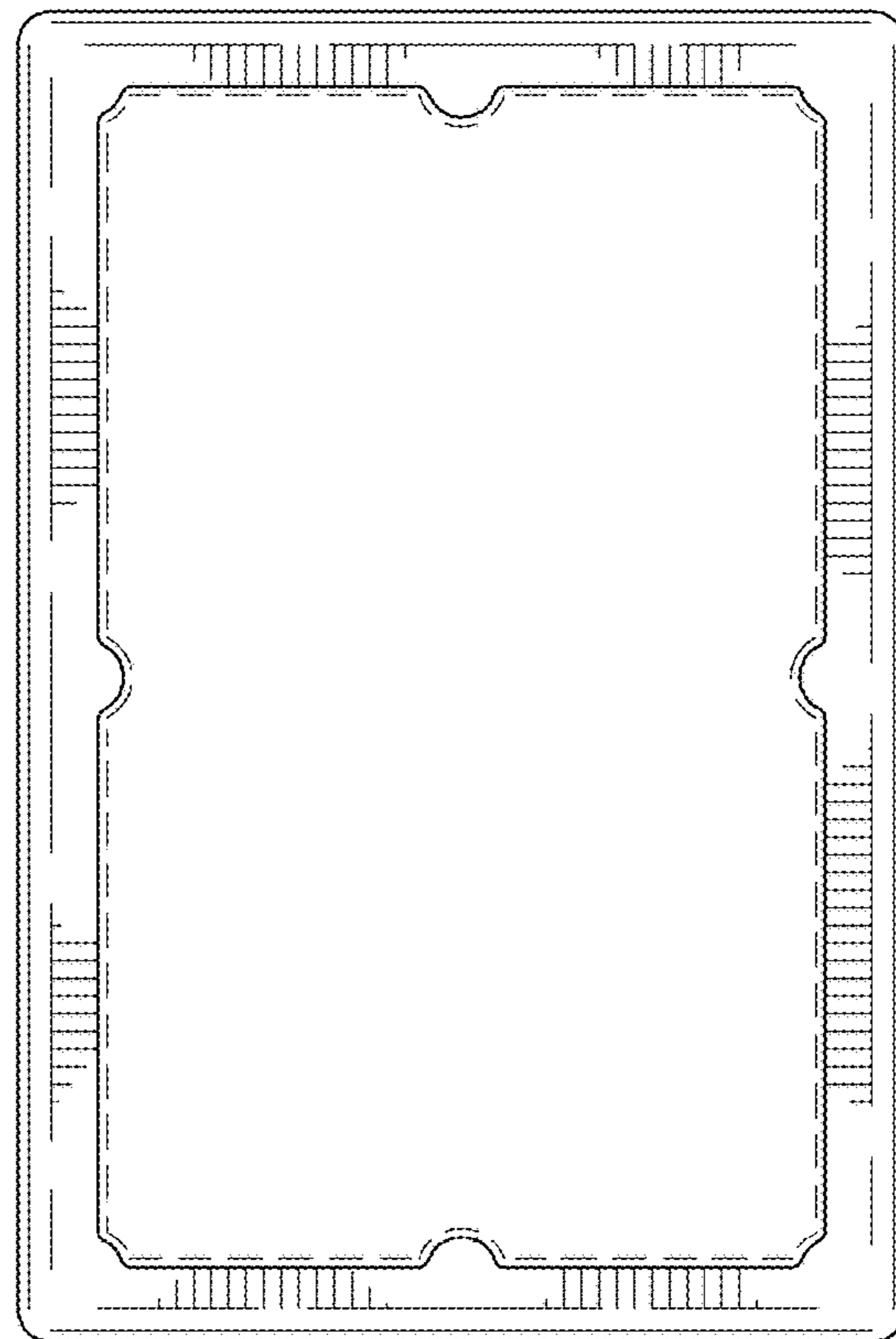


FIG. 5

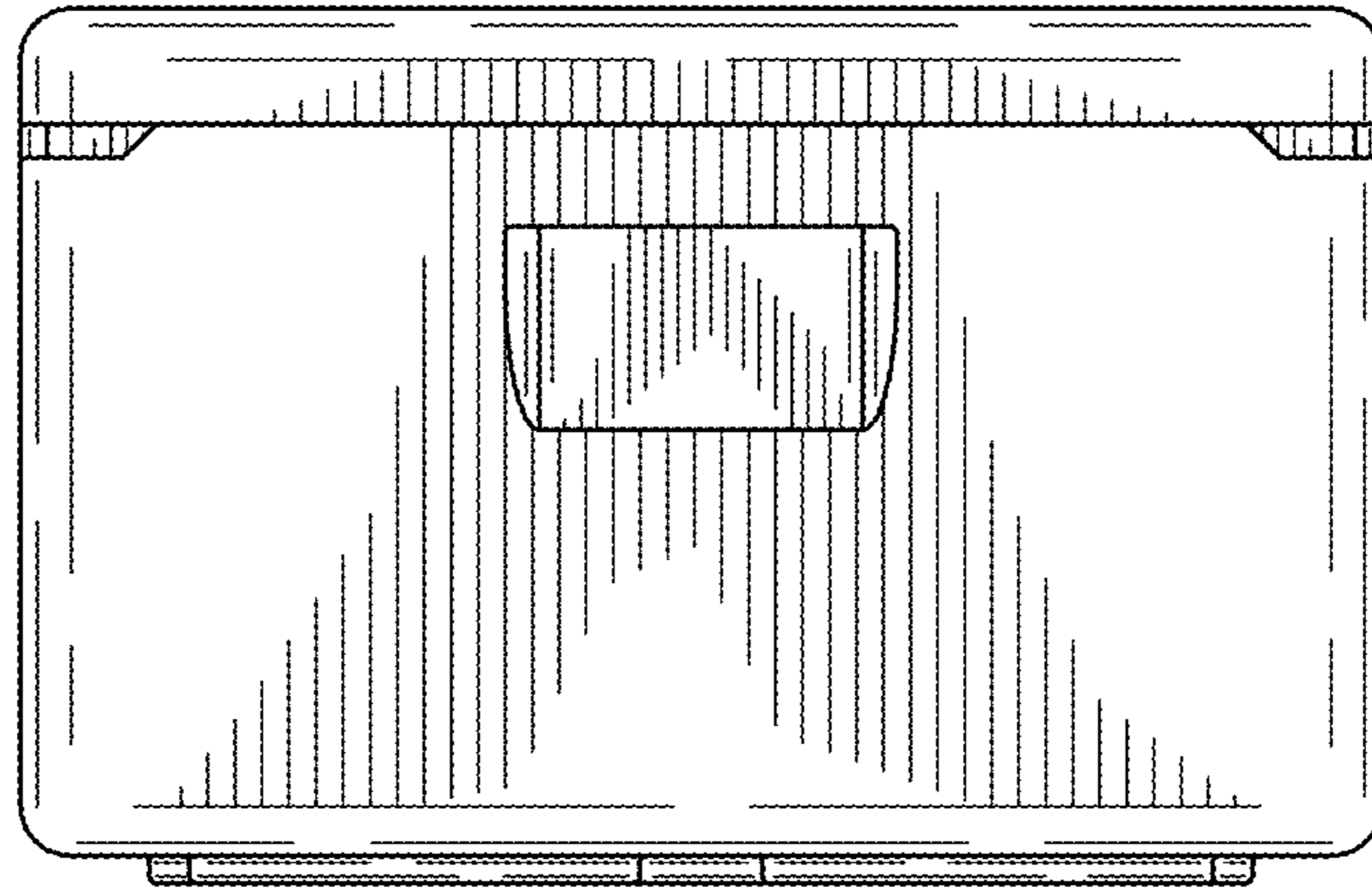


FIG. 6

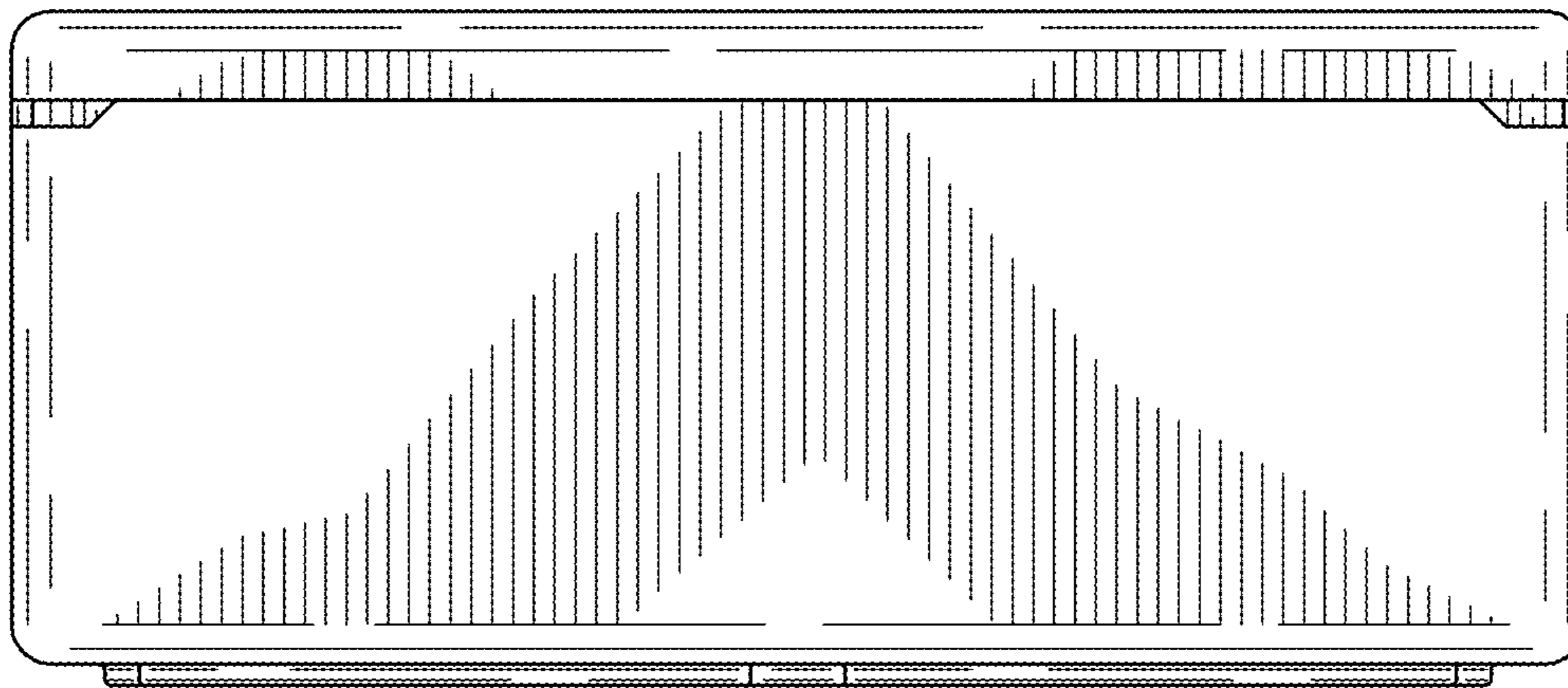


FIG. 7

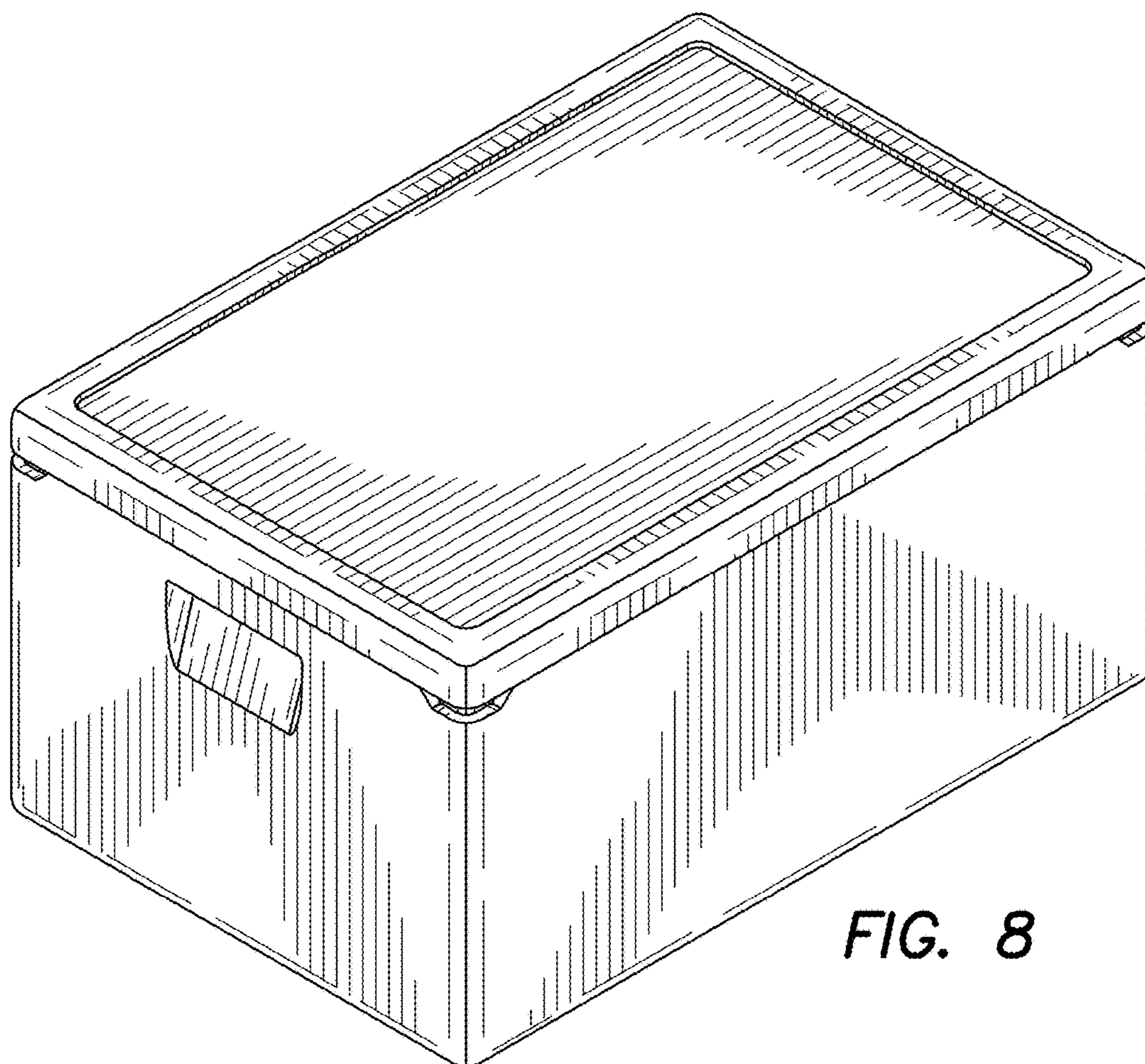


FIG. 8

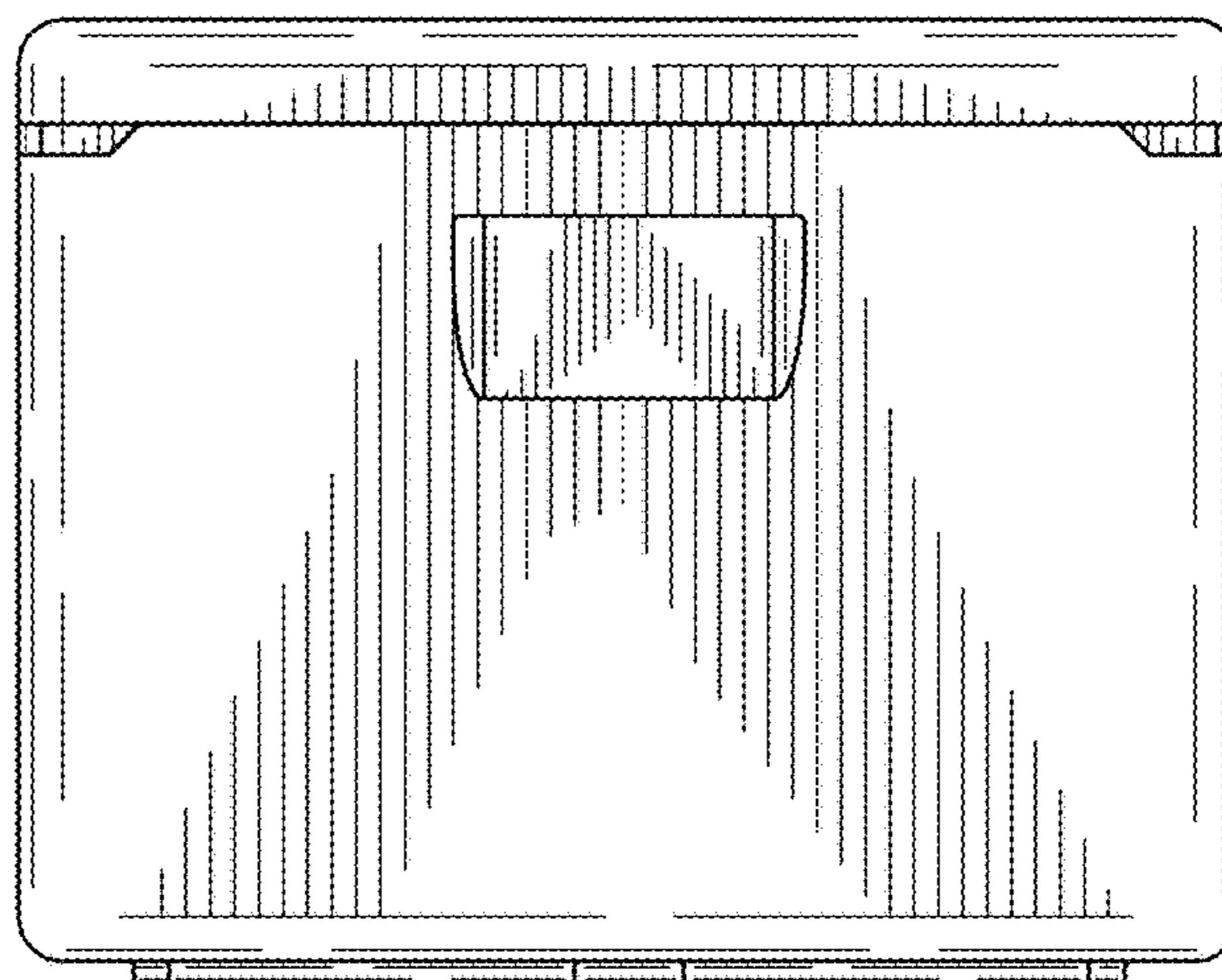


FIG. 9

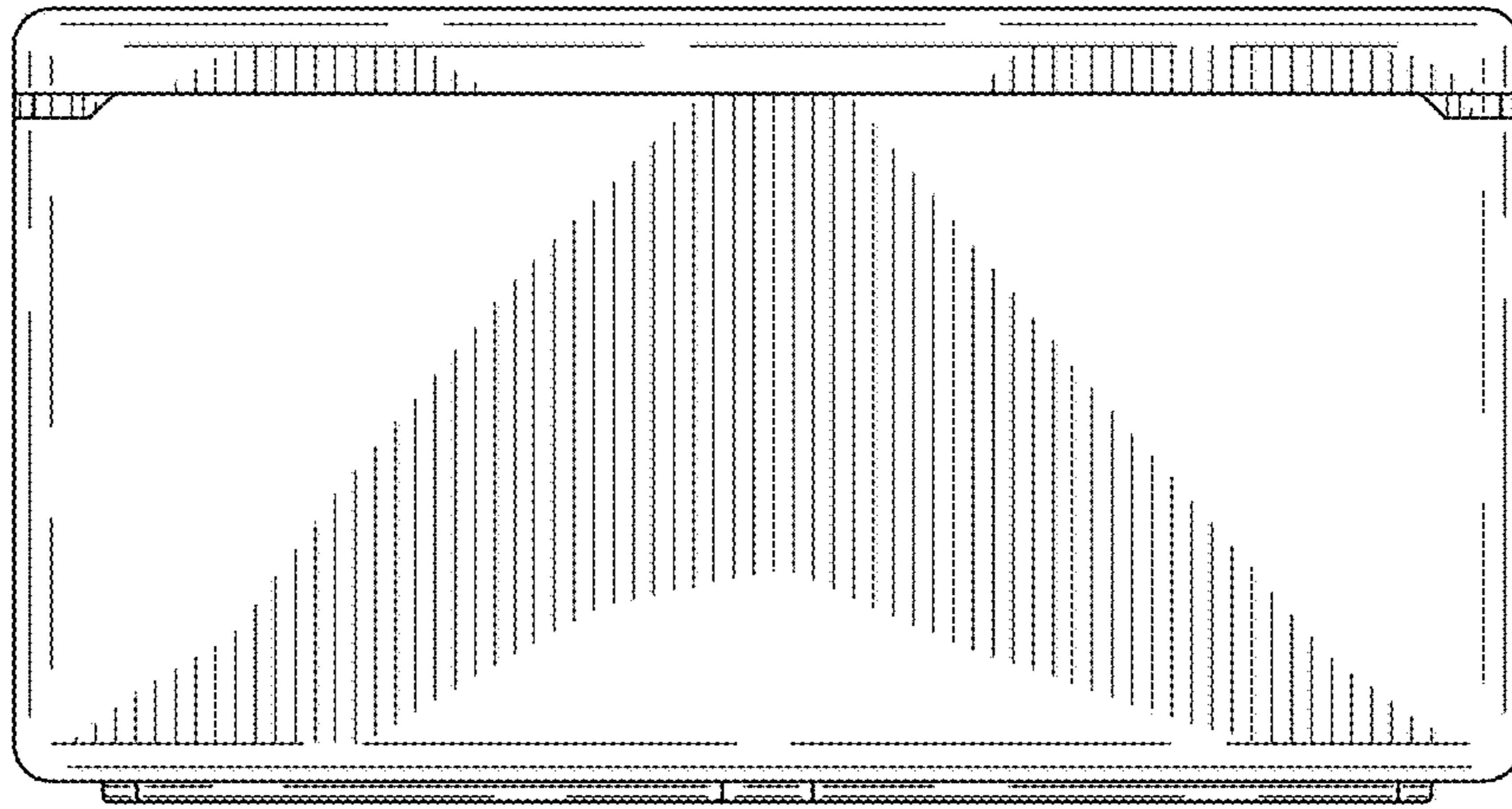


FIG. 10

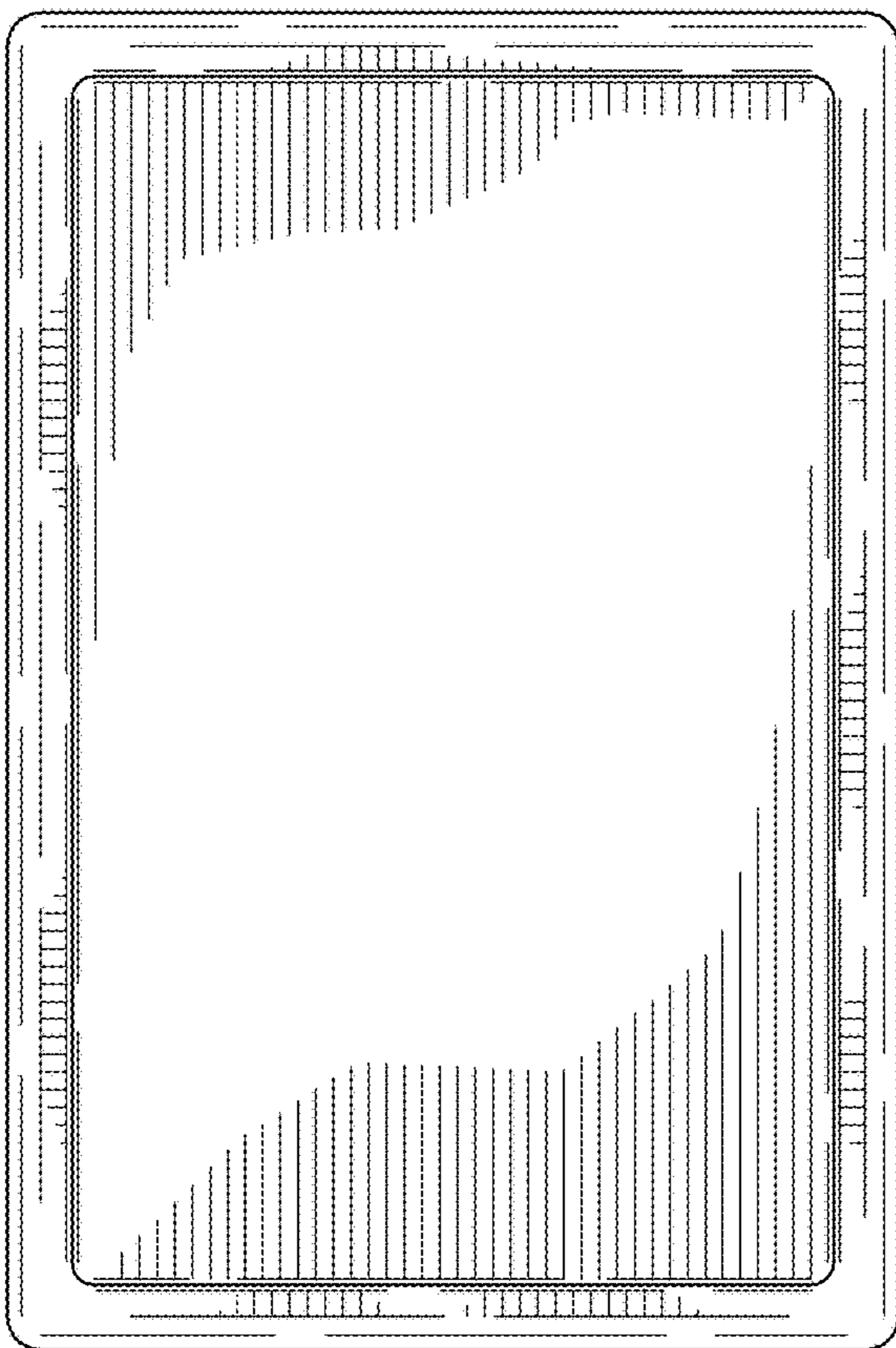


FIG. 11

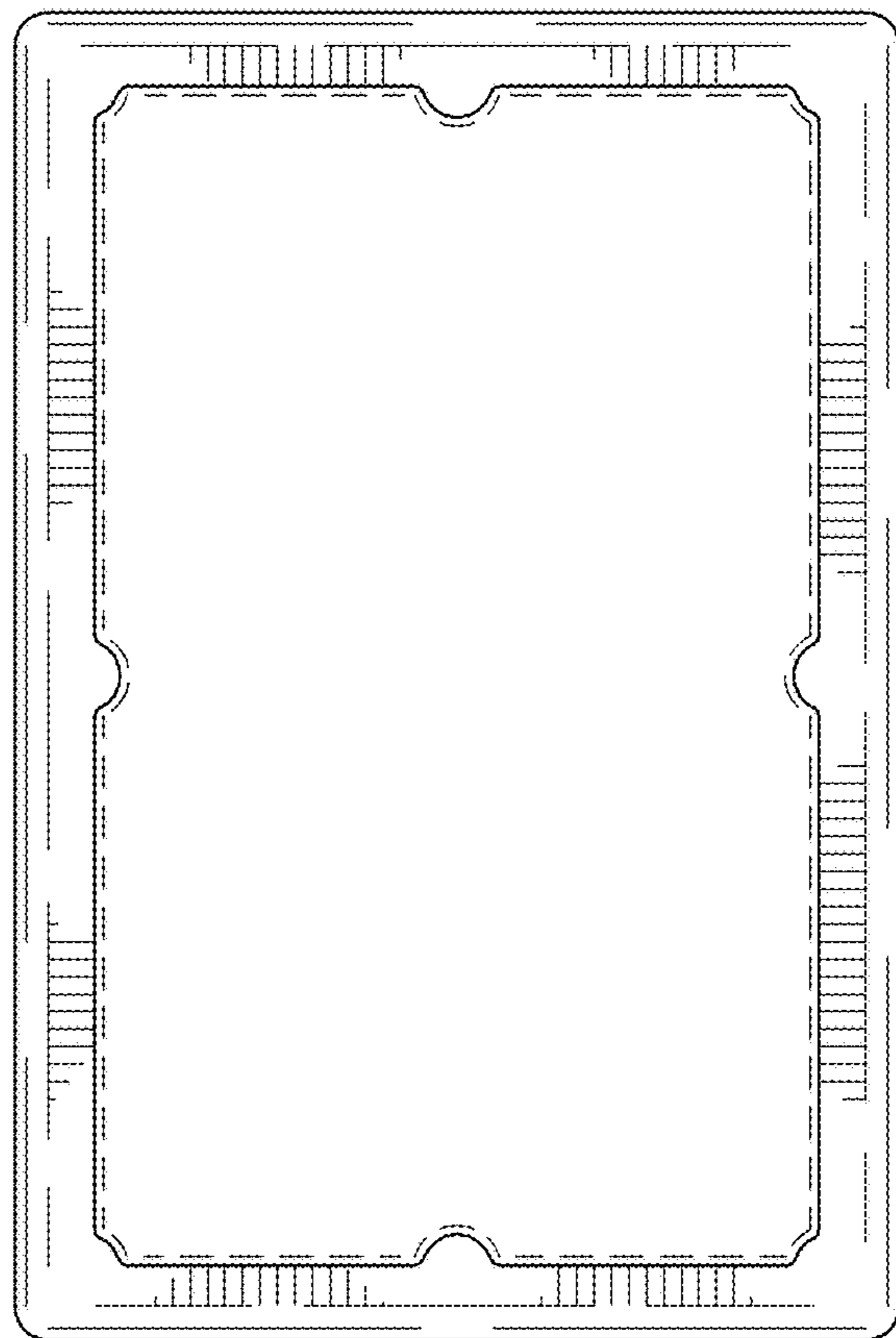


FIG. 12

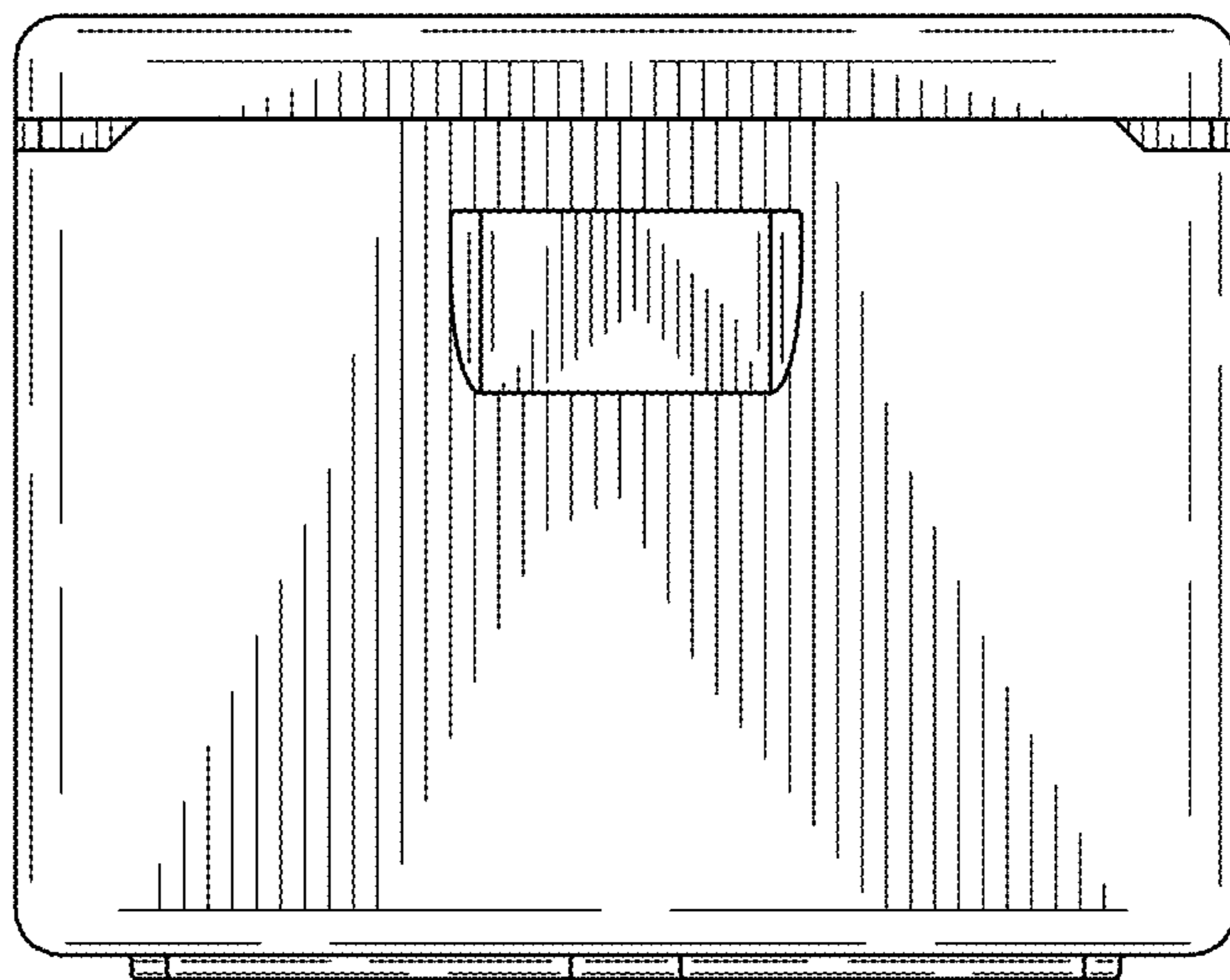


FIG. 13

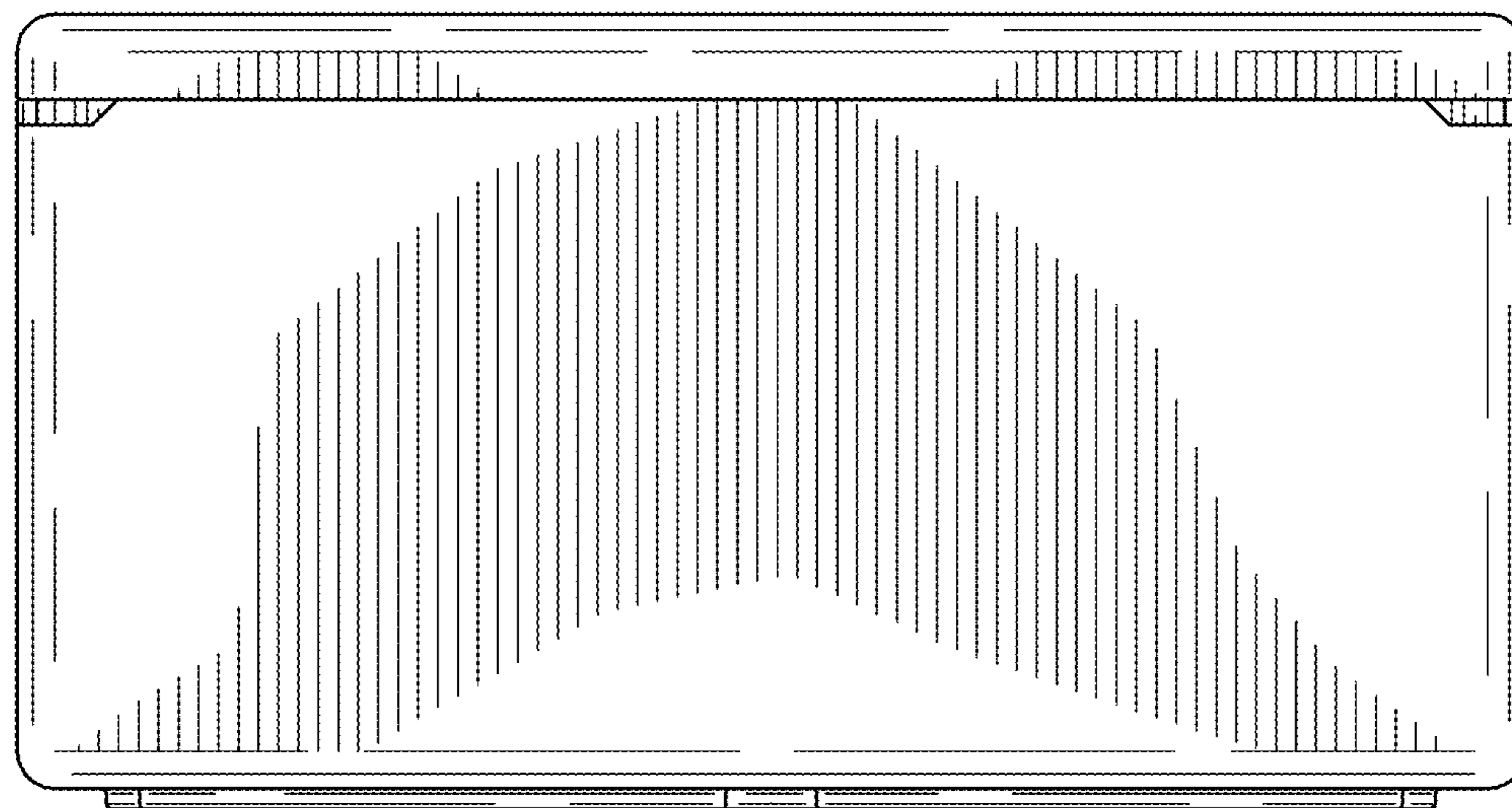


FIG. 14