



US00D817110S

(12) **United States Design Patent**  
**Kellow, Jr.**

(10) **Patent No.:** **US D817,110 S**

(45) **Date of Patent:** **\*\* May 8, 2018**

(54) **HOLDER**

(71) Applicant: **Bethrick, Inc.**, Slinger, WI (US)

(72) Inventor: **Richard Alan Kellow, Jr.**, Slinger, WI (US)

(73) Assignee: **Bethrick, Inc.**, Slinger, WI (US)

(\*\*) Term: **15 Years**

(21) Appl. No.: **29/614,452**

(22) Filed: **Aug. 18, 2017**

**Related U.S. Application Data**

(62) Division of application No. 29/543,726, filed on Oct. 27, 2015, now Pat. No. Des. 797,521.

(51) **LOC (11) Cl.** ..... **07-06**

(52) **U.S. Cl.**  
USPC ..... **D7/619.1**

(58) **Field of Classification Search**  
USPC ..... D7/601, 602, 619.1, 620, 701, 708.1;  
D3/202, 229; D12/419, 420; 220/737;  
228/309.1, 310, 311.2, 313; 297/188.14,  
297/188.18  
CPC ..... A47B 55/00; A47B 55/02; A47B 73/00;  
A47B 73/002; A47B 73/004; A47B  
73/006; A47B 73/008; A47B 69/00;  
A47G 23/0266; B65D 81/18; B65D  
81/3876; B65D 81/3886

See application file for complete search history.

(56) **References Cited**

**U.S. PATENT DOCUMENTS**

D448,978 S 10/2001 Isbell  
D474,404 S \* 5/2003 Tropeano ..... D9/455  
D515,877 S 2/2006 Czepowicz et al.  
D515,878 S 2/2006 Czepowicz et al.

D625,885 S 10/2010 Bianchi  
D669,741 S 10/2012 Shaw  
D676,716 S 2/2013 Lalo  
D679,552 S 4/2013 Housley et al.  
D679,553 S 4/2013 Williams et al.  
D685,619 S 7/2013 Sundaram  
D700,752 S 3/2014 Gilkey et al.  
D705,013 S 5/2014 Audibert  
D726,981 S 4/2015 Yessin  
D770,238 S \* 11/2016 Lundwall ..... D7/620  
D777,529 S \* 1/2017 Kellow, Jr. .... D7/624.1  
D797,521 S \* 9/2017 Kellow, Jr. .... D7/619.1

**OTHER PUBLICATIONS**

Turtlebacks, Screenshot of Product Collections, retrieved from the Internet on May 29, 2015 at: <http://turtlebacks.com/collections/all> (2 pages).

\* cited by examiner

*Primary Examiner* — Keli L Hill

(74) *Attorney, Agent, or Firm* — Foley & Lardner LLP

(57) **CLAIM**

I claim the ornamental design for a holder, as shown and described.

**DESCRIPTION**

FIG. 1 is a top, front, left perspective view of the claimed design;

FIG. 2 is a front view of FIG. 1;

FIG. 3 is a rear view of FIG. 1;

FIG. 4 is a left view of FIG. 1;

FIG. 5 is a right view of FIG. 1;

FIG. 6 is a top view of FIG. 1;

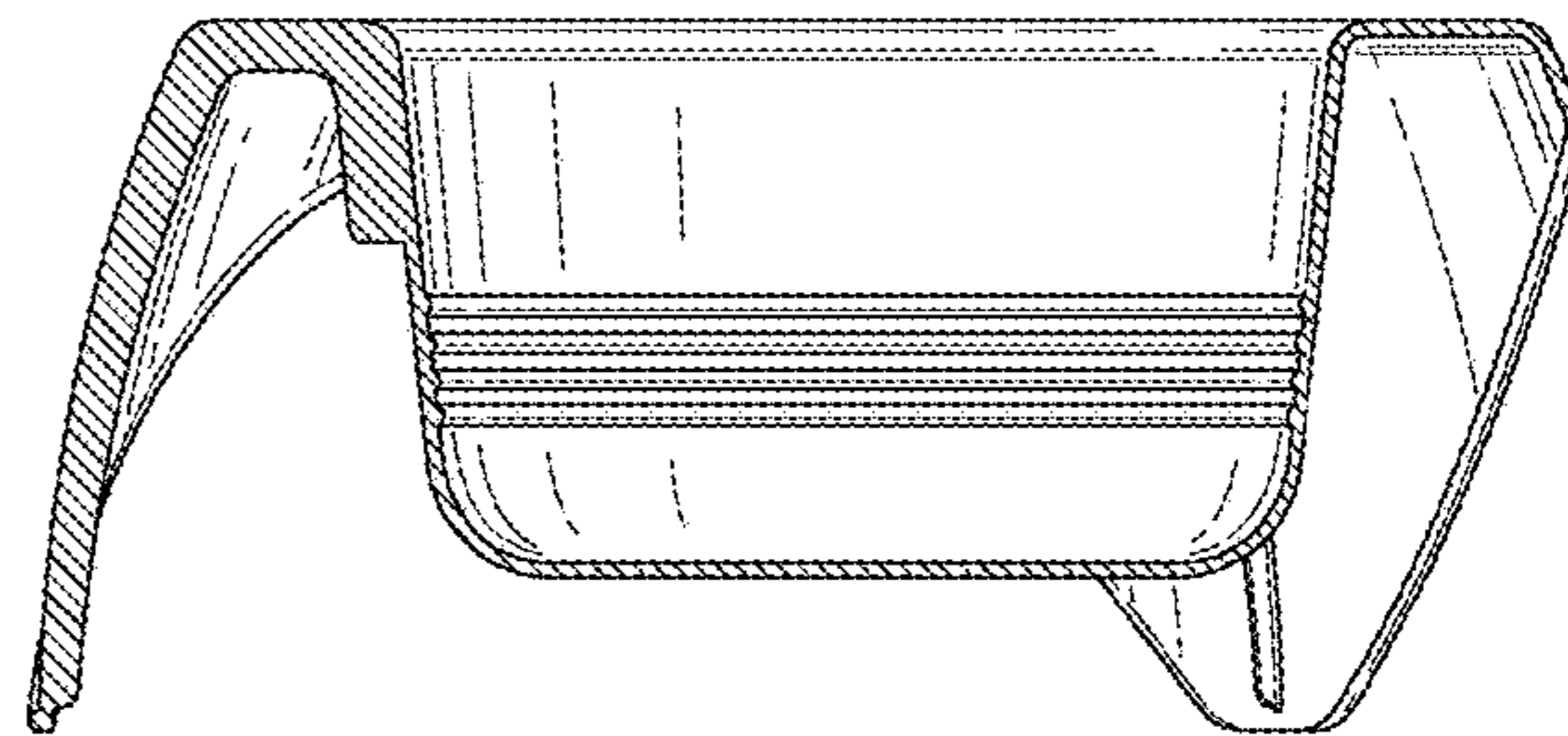
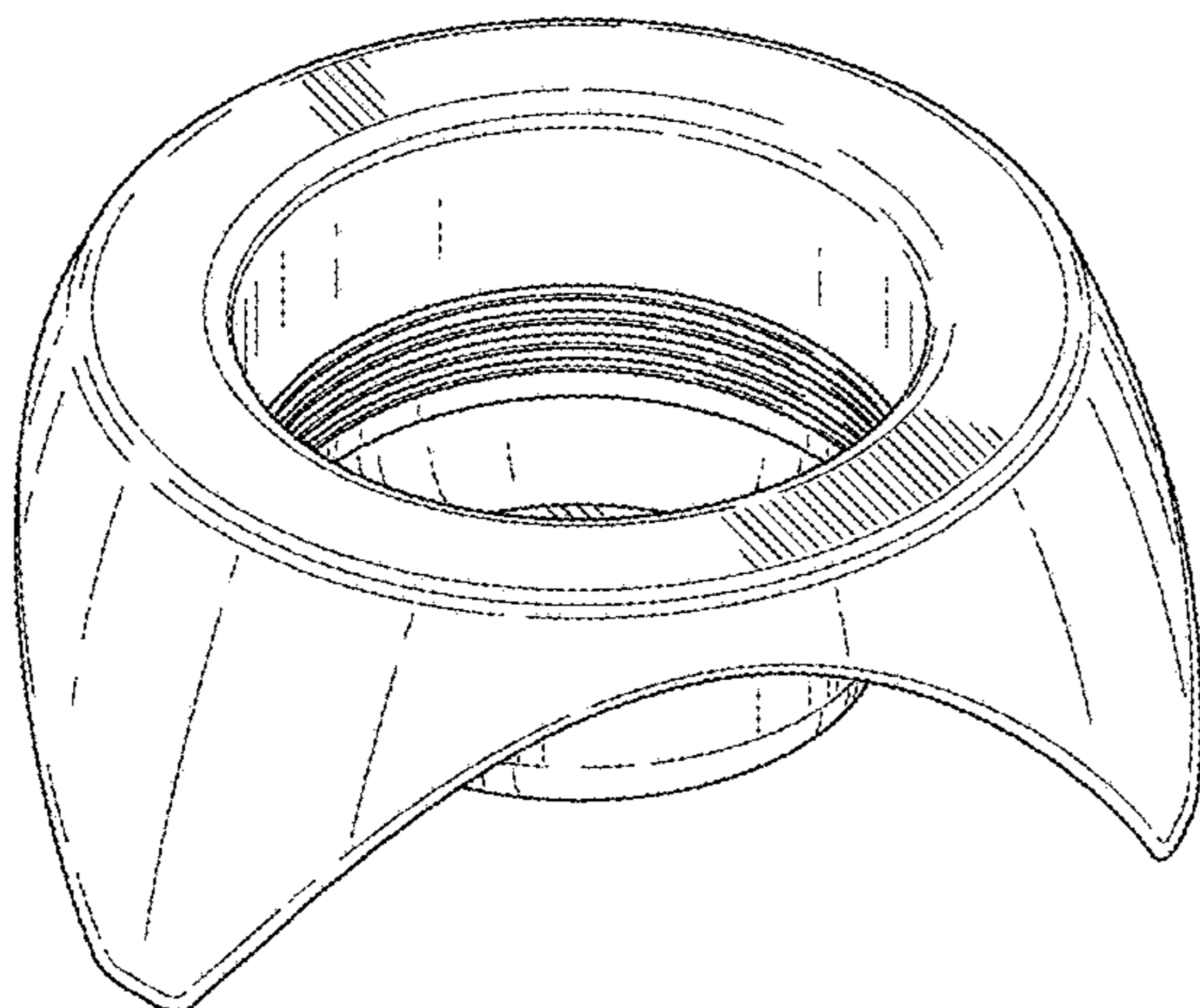
FIG. 7 is a bottom view of FIG. 1;

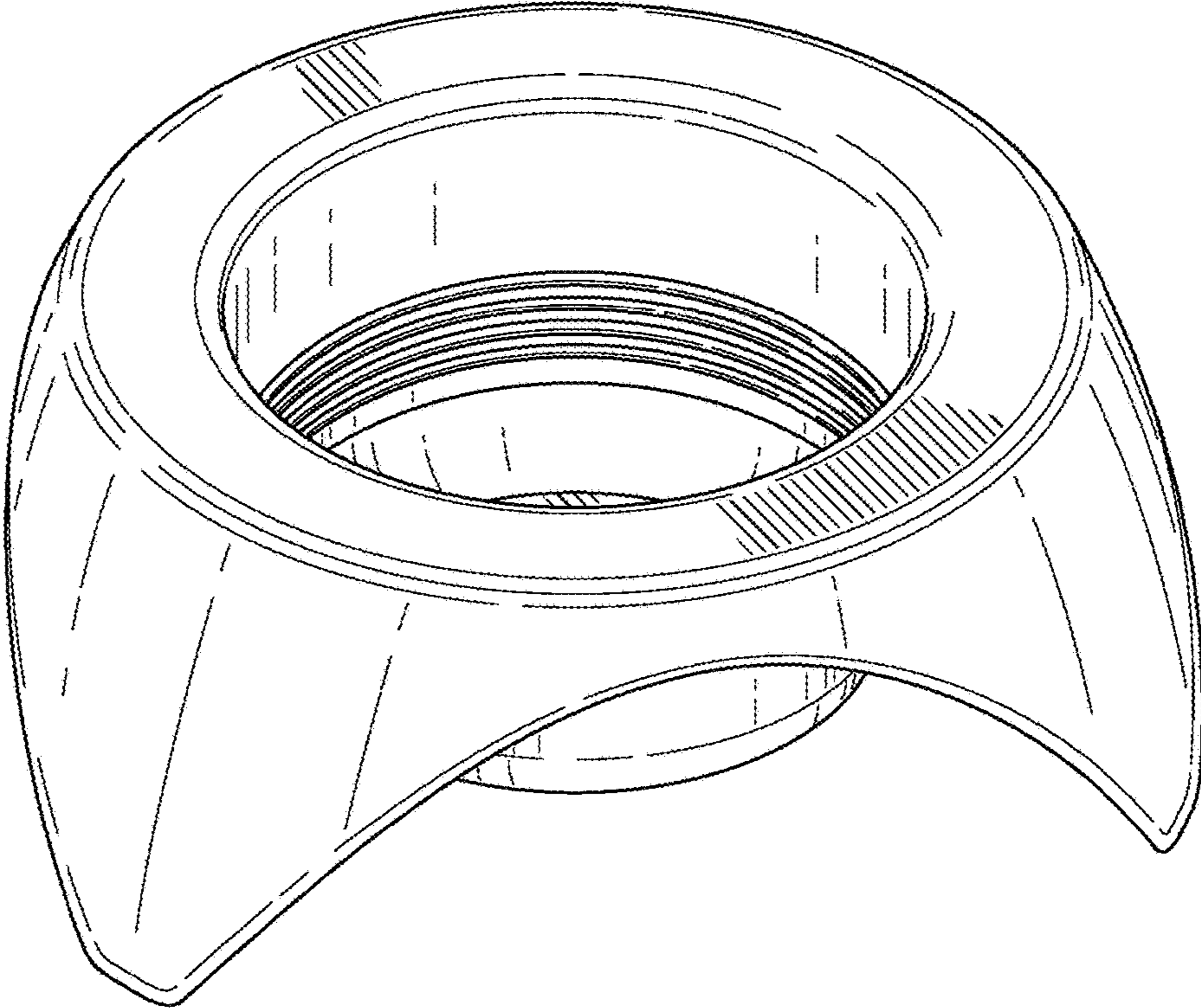
FIG. 8 is a section view along line 8-8 of FIG. 6;

FIG. 9 is a section view along line 9-9 of FIG. 6; and,

FIG. 10 is a section view along line 10-10 of FIG. 6.

**1 Claim, 10 Drawing Sheets**





**FIG. 1**

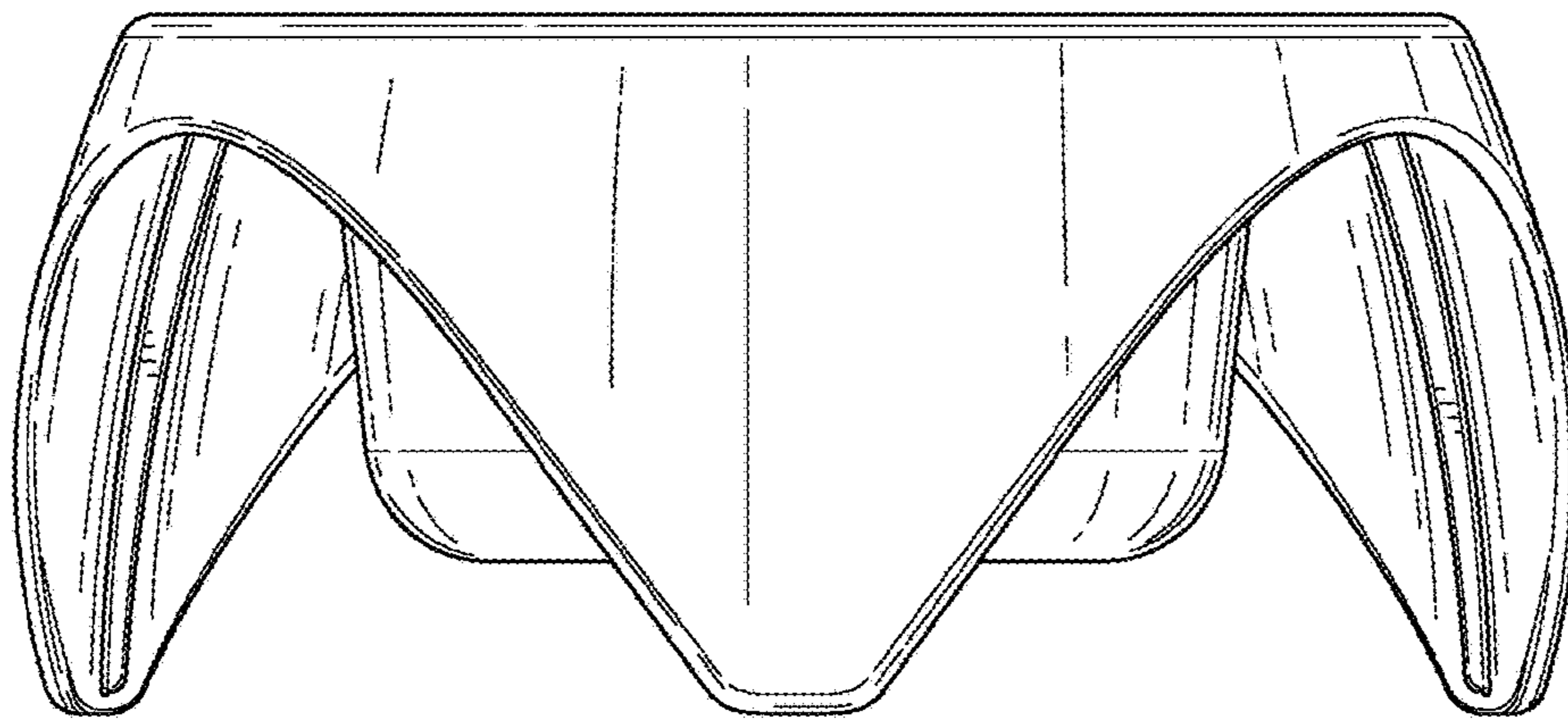
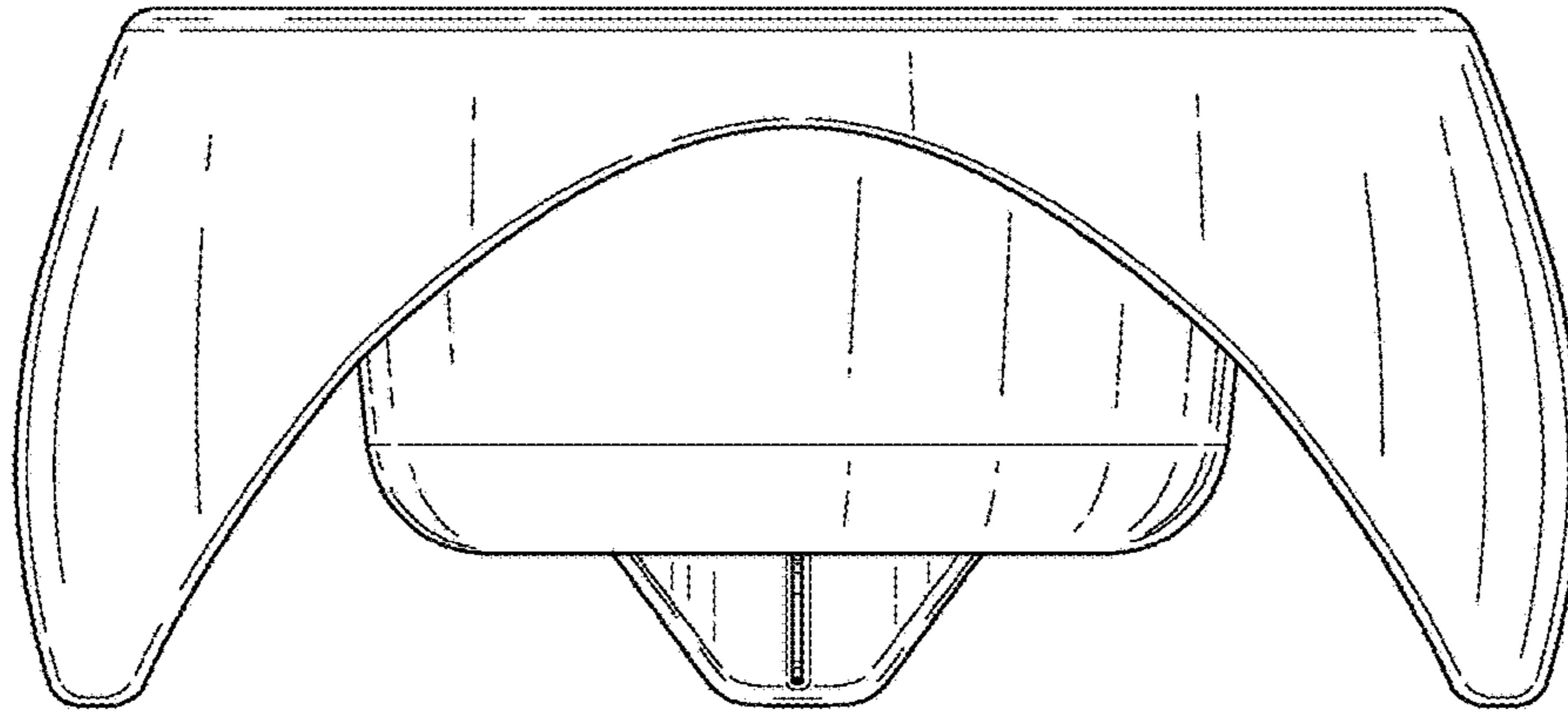


FIG. 2



**FIG. 3**

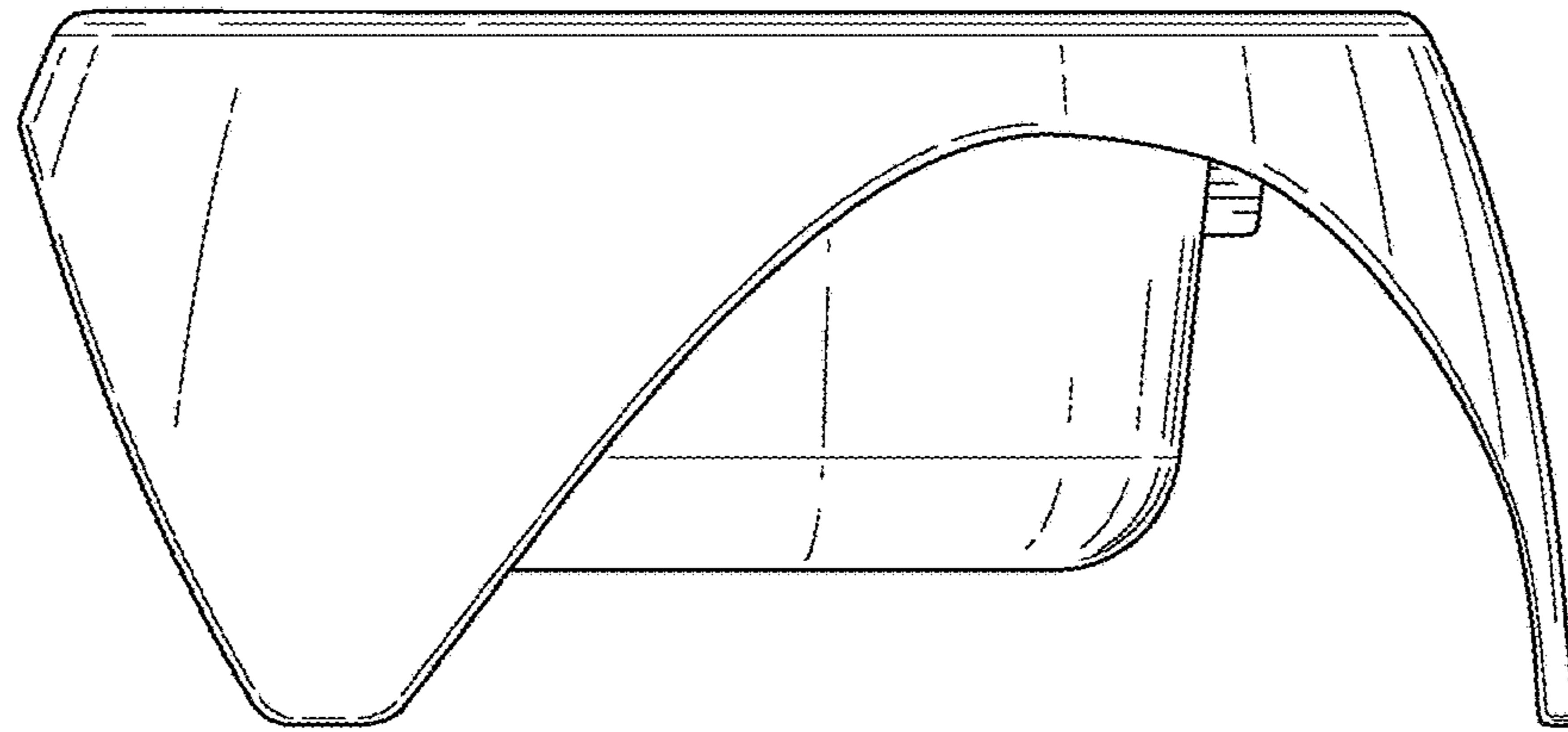


FIG. 4



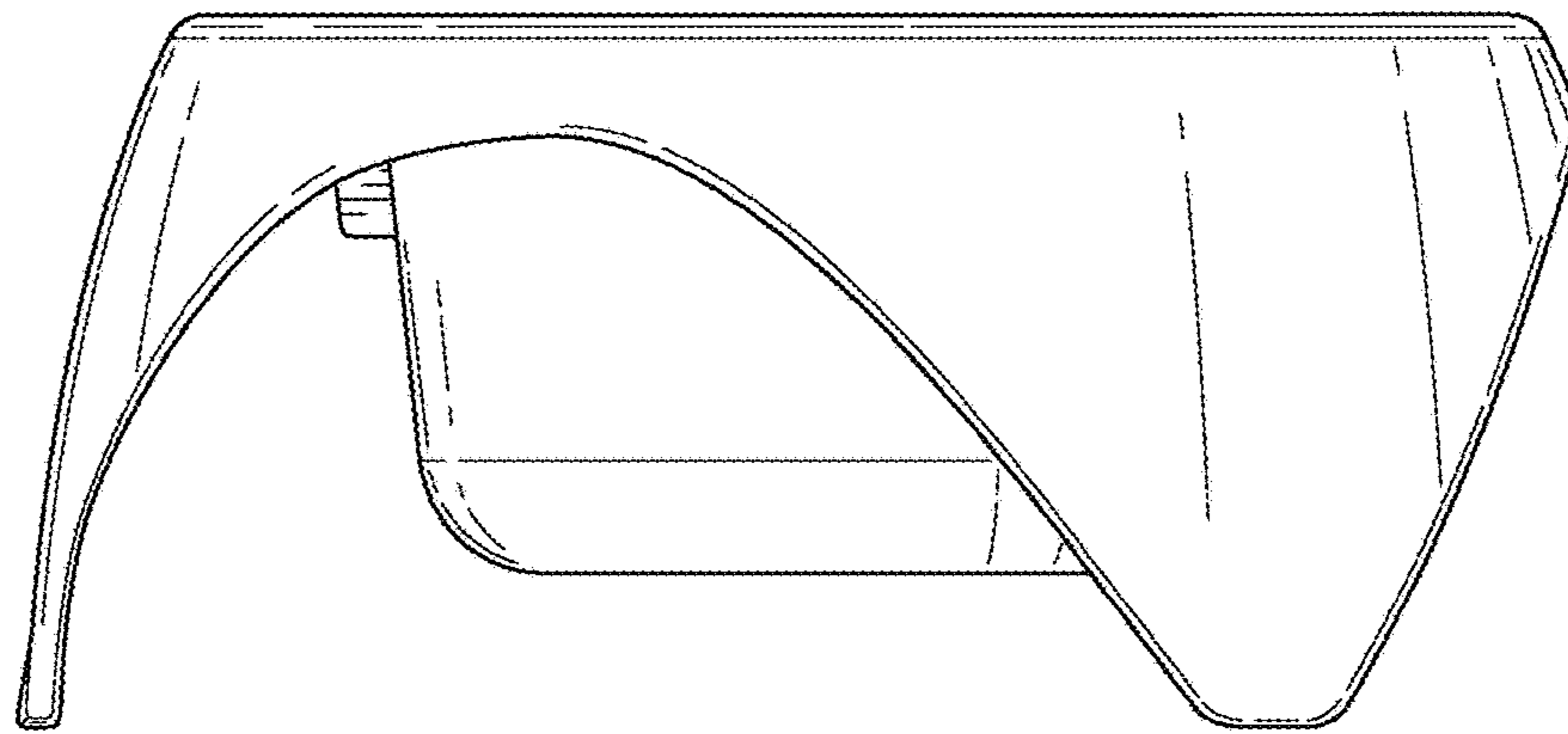


FIG. 5

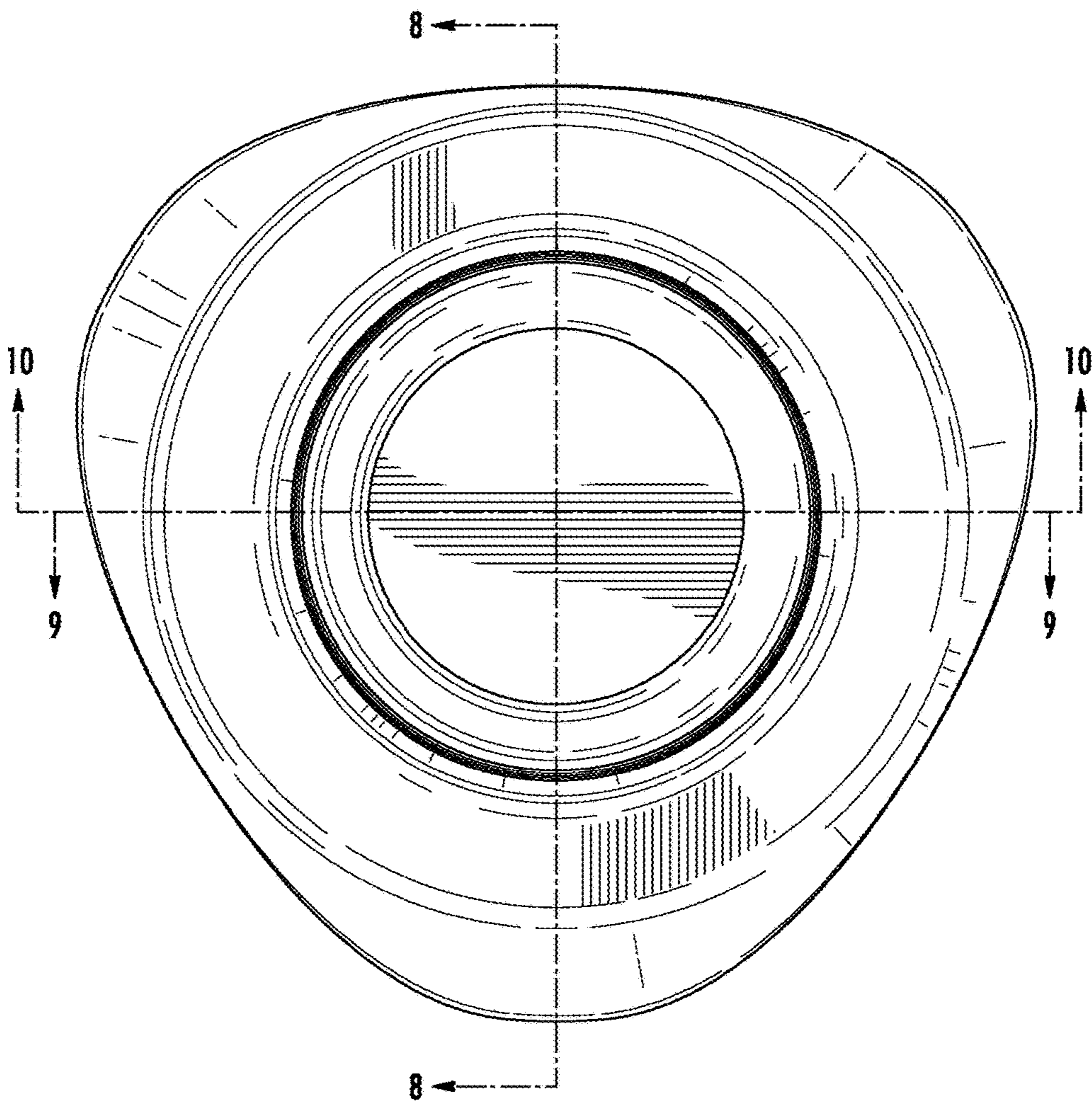


FIG. 6

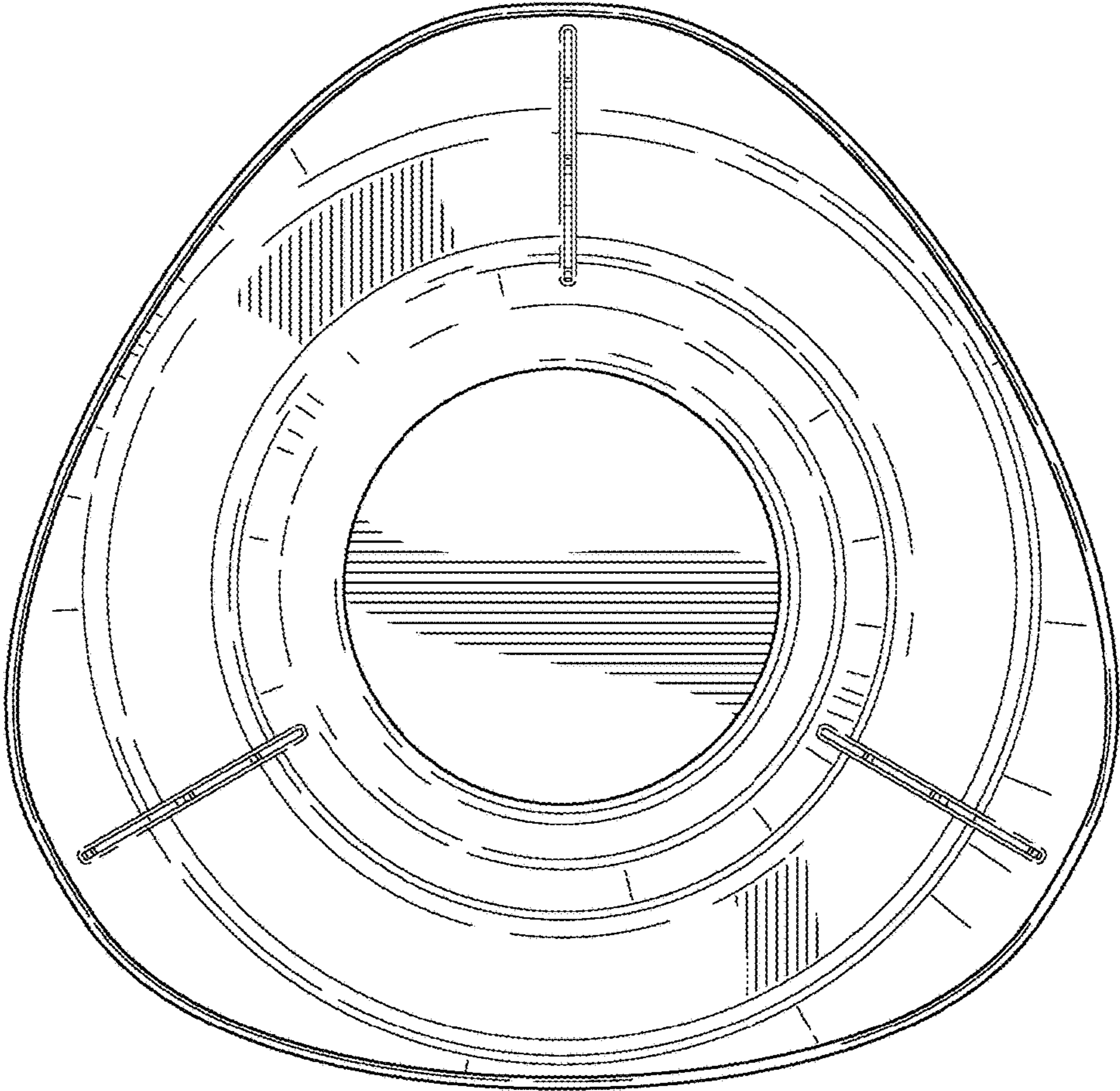


FIG. 7



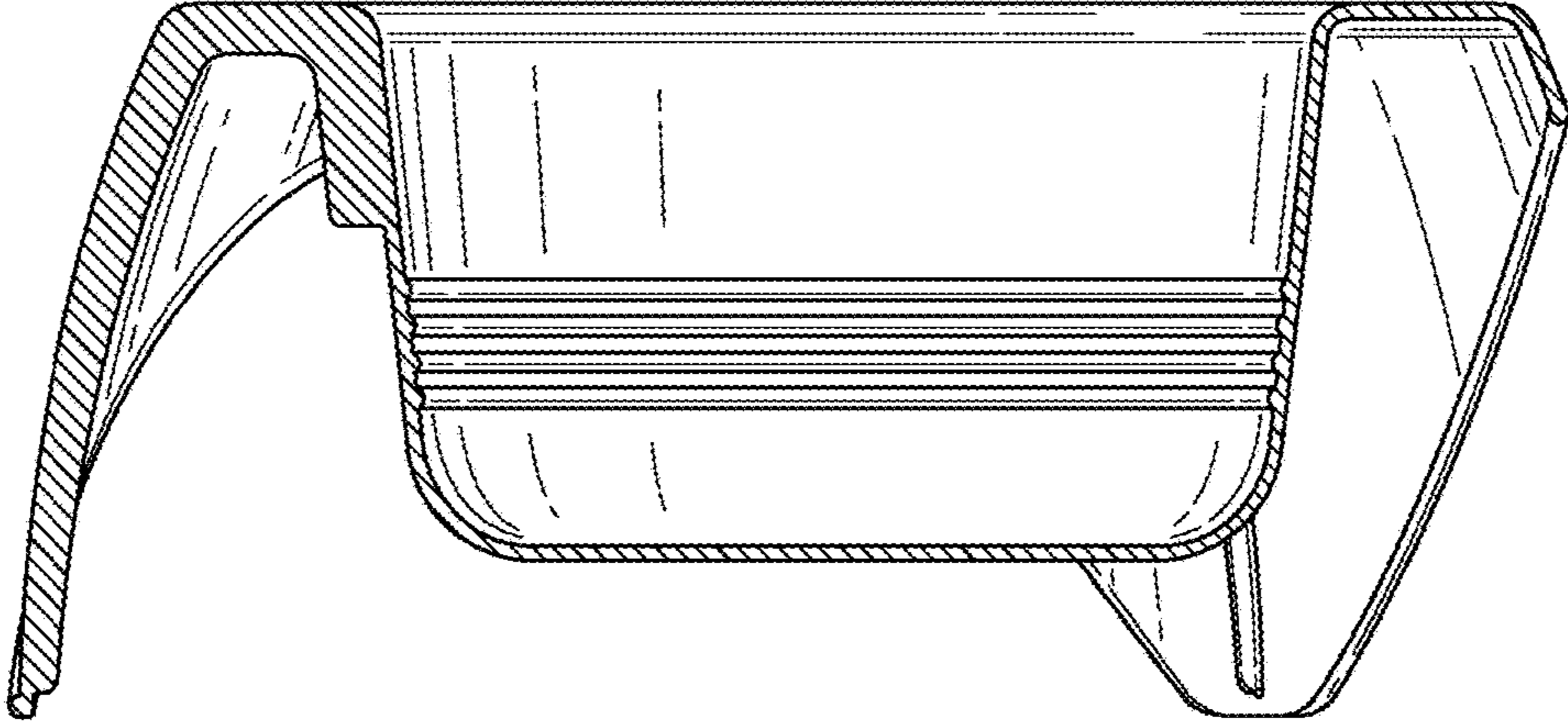
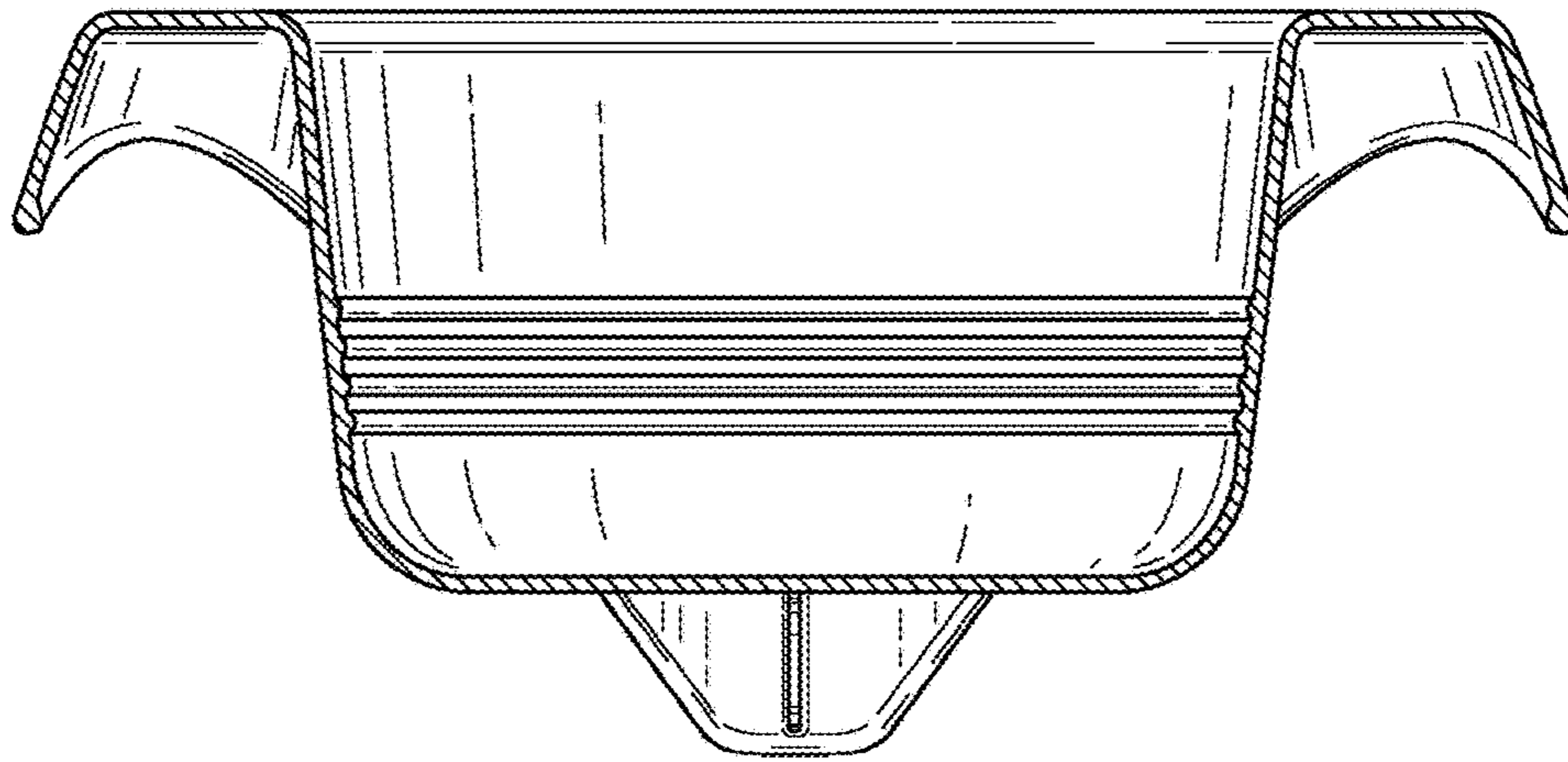
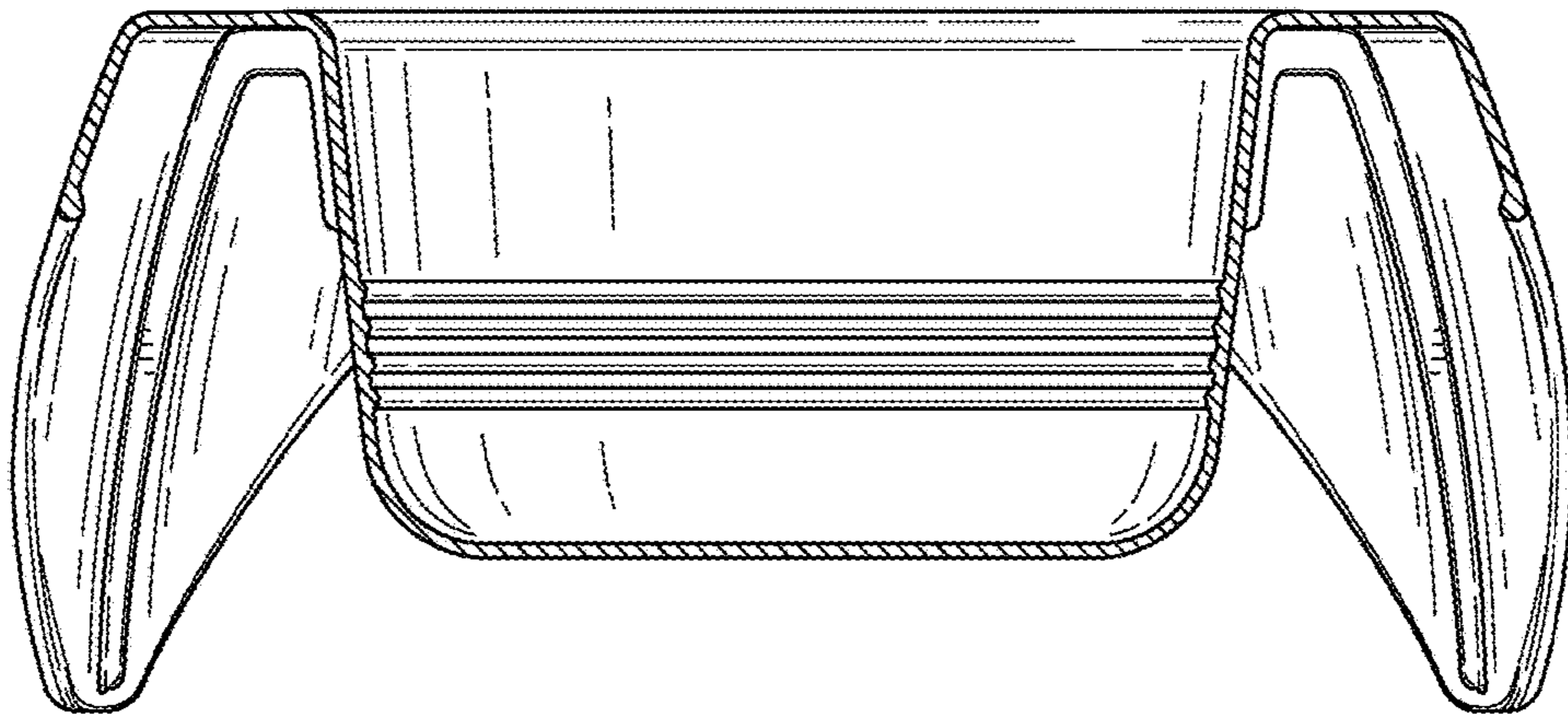


FIG. 8



**FIG. 9**



**FIG. 10**