



US00D817105S

(12) **United States Design Patent** (10) **Patent No.:** **US D817,105 S**
Stuart et al. (45) **Date of Patent:** **** May 8, 2018**

(54) **ORGANIZER WITH RECEPTACLES**

23/03; A47G 23/02; A47G 23/0633;
A47G 23/08; A47G 29/00; A01G 5/04

See application file for complete search history.

(71) Applicant: **DEFLECTO, LLC**, Indianapolis, IN
(US)

(56) **References Cited**

U.S. PATENT DOCUMENTS

1,565,952 A *	12/1925	Phillips	A47B 13/00 294/143
2,291,672 A *	8/1942	Youngberg	A01J 19/00 249/119

(Continued)

FOREIGN PATENT DOCUMENTS

DE	3702061	8/1987
DE	271830	9/1989

(Continued)

OTHER PUBLICATIONS

Europe Office Action dated Jan. 20, 2015 in related Application No. 14184658.4-1302 filed Sep. 12, 2014 (7 pages).

(Continued)

Primary Examiner — Shannon W Morgan

(74) *Attorney, Agent, or Firm* — Dentons US LLP; Brian R. McGinley; Roman Tsibulevskiy

(57) **CLAIM**

The ornamental design for an organizer with receptacles, as shown and described.

DESCRIPTION

FIG. 1 is a front, perspective view of an organizer with receptacles showing a new design;
 FIG. 2 is another perspective view thereof;
 FIG. 3 is a front elevational view thereof;
 FIG. 4 is a rear elevational view thereof;
 FIG. 5 is a left-side elevational view thereof; the right side elevational view being an identical mirror image thereof;
 FIG. 6 is a top plan view thereof; and,
 FIG. 7 is a bottom plan view thereof.

(Continued)

(72) Inventors: **Christopher Stuart**, Noblesville, IN
(US); **James DeChant**, Carmel, IN
(US); **Patrick Foley**, Fishers, IN (US);
Danielle Rodgers, Indianapolis, IN
(US); **Cyril Bennett**, Indianapolis, IN
(US); **Robin Wang**, Indianapolis, IN
(US)

(73) Assignee: **Deflecto, LLC**, Indianapolis, IN (US)

(**) Term: **14 Years**

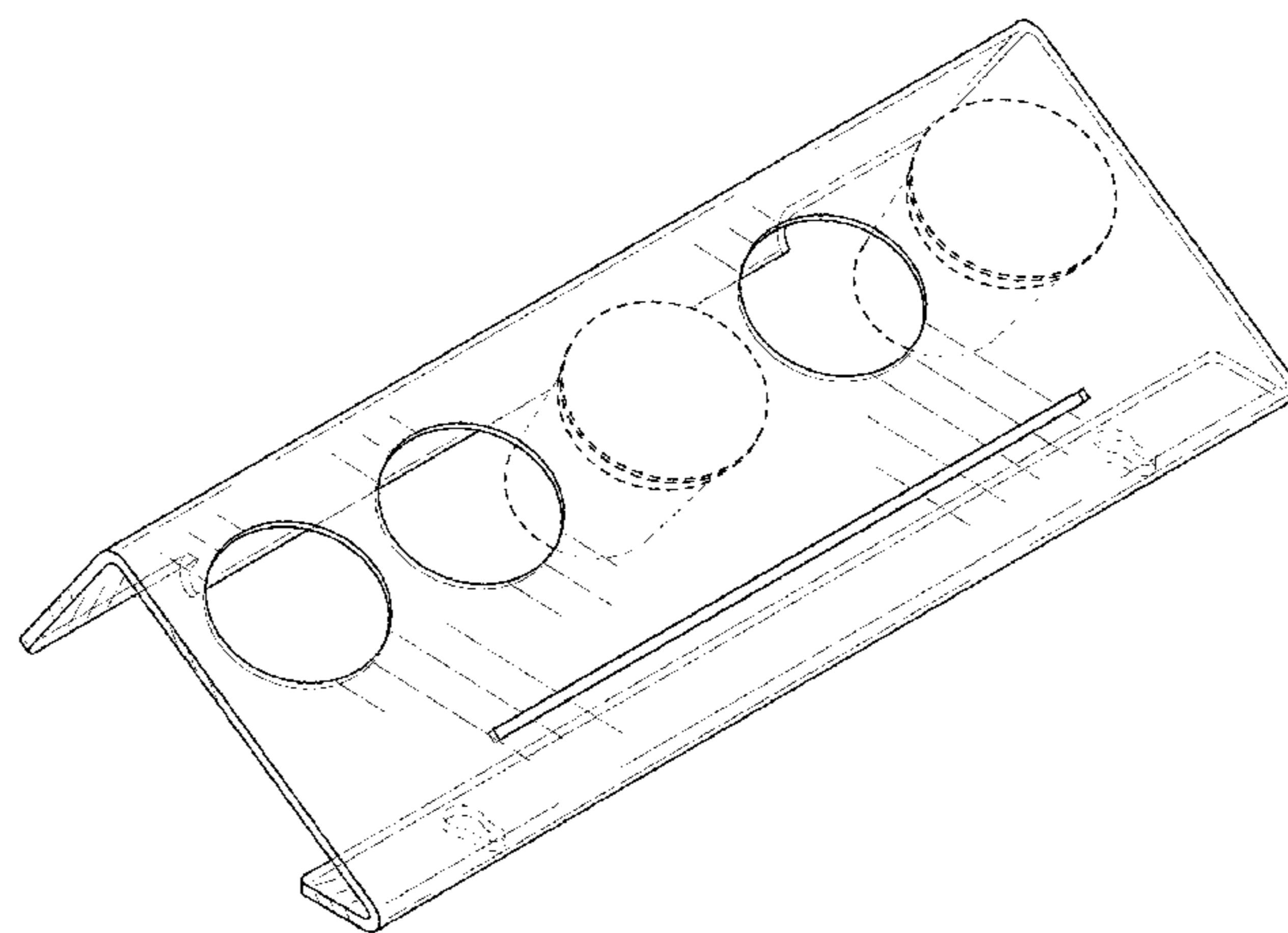
(21) Appl. No.: **29/515,949**

(22) Filed: **Jan. 28, 2015**

(51) **LOC (11) Cl.** **07-99**

(52) **U.S. Cl.**
USPC **D7/600.1**

(58) **Field of Classification Search**
 USPC D7/600.1–600.4, 601, 602, 590,
 D7/619.1–625, 704, 637, 638, 596, 597,
 D7/611, 701, 703, 708, 641; D6/404,
 D6/405, 406.4, 463, 515, 552, 556, 566,
 D6/567, 517, 553, 555, 704, 705, 560,
 D6/627; D3/201, 202, 210, 257, 259,
 D3/263, 264, 295, 296, 298, 304, 310,
 D3/313, 315, 328; D24/216
 CPC A47B 81/007; A47B 81/00; A47B 96/00;
 A47F 7/283; A47F 7/0078; A47F 1/08;
 A47F 1/00; A47J 47/16; A47J 47/01;
 A47J 47/20; A47J 47/00; A47J 31/3642;
 F16M 11/00; A47G 23/0208; A47G



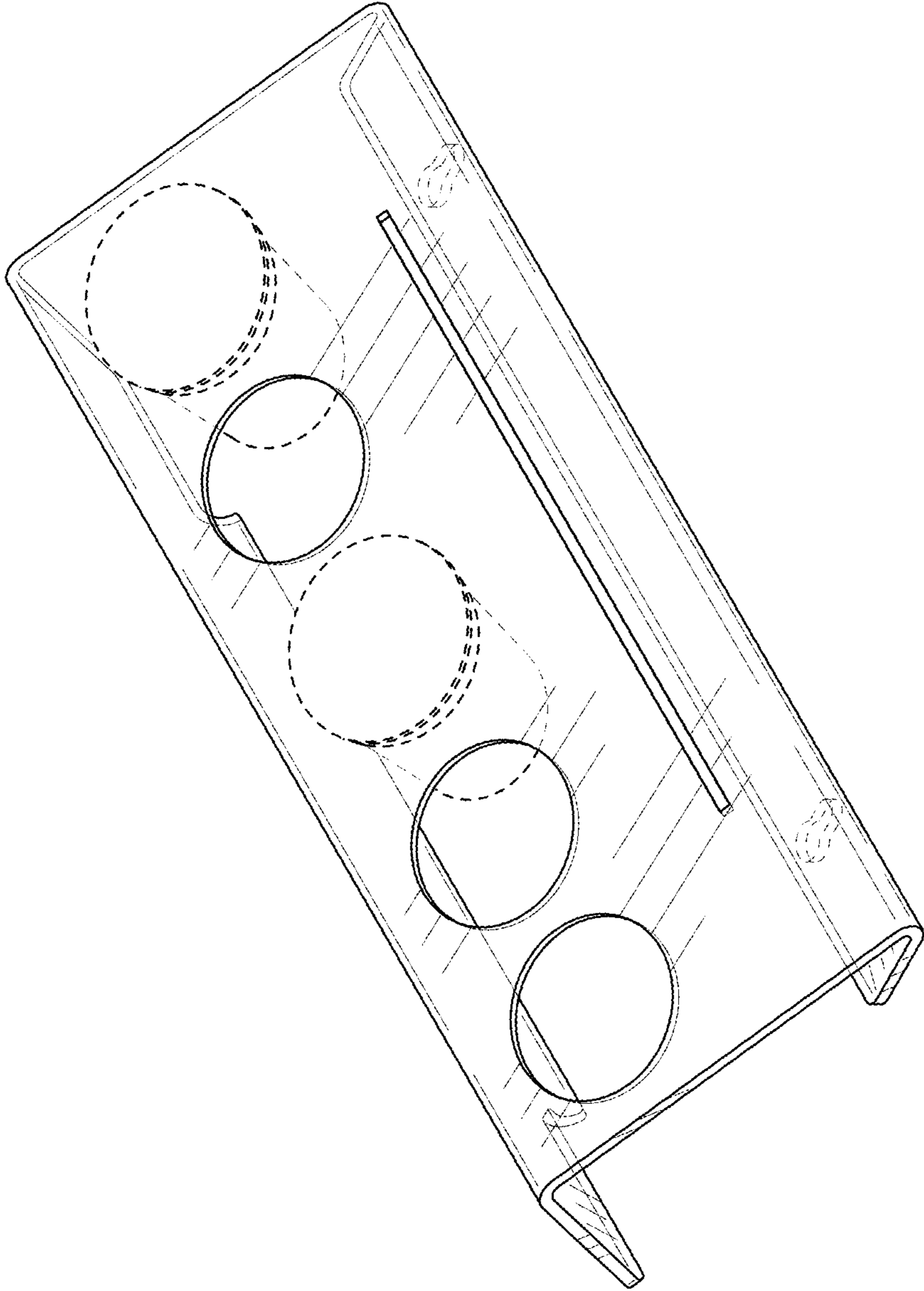


FIG. 1

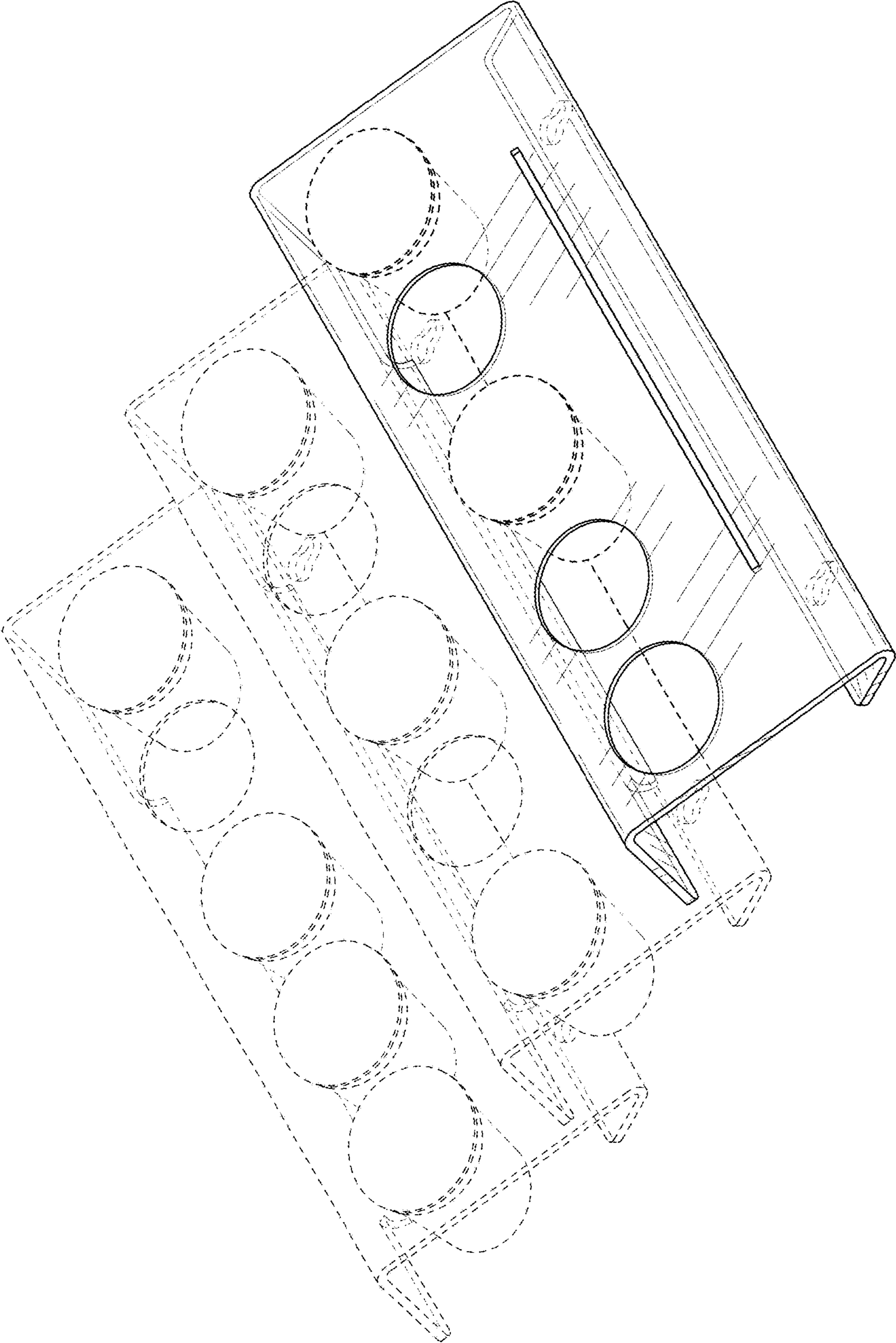


FIG. 2

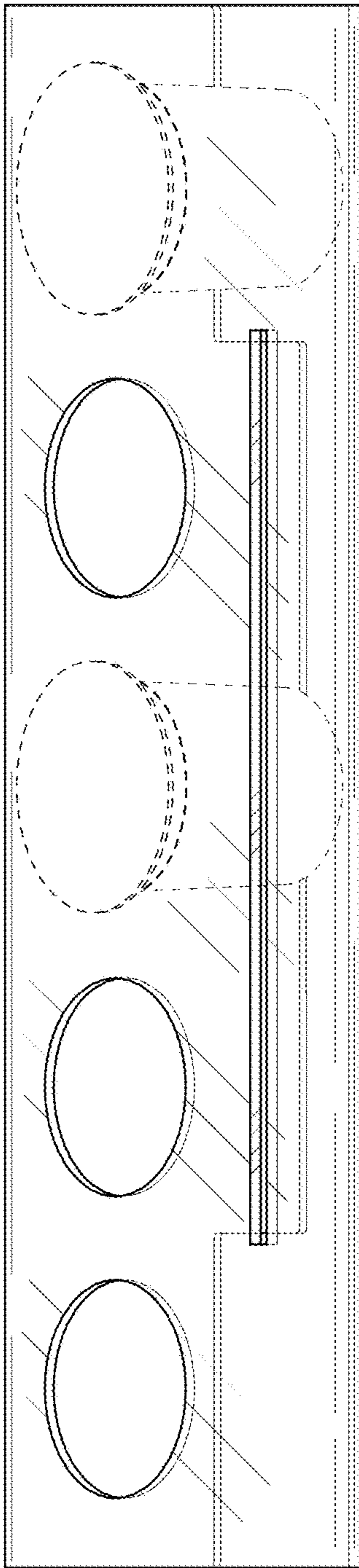


FIG. 3

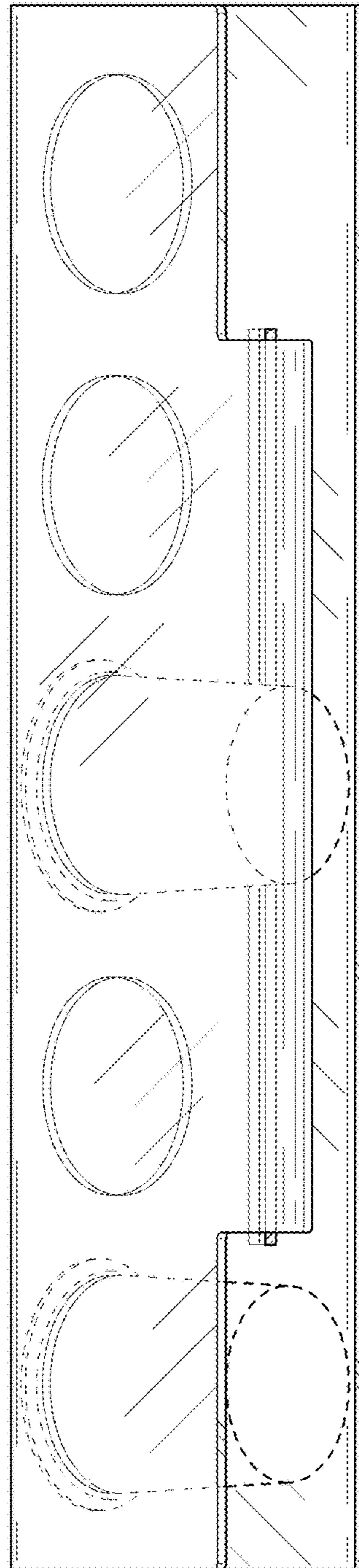


FIG. 4

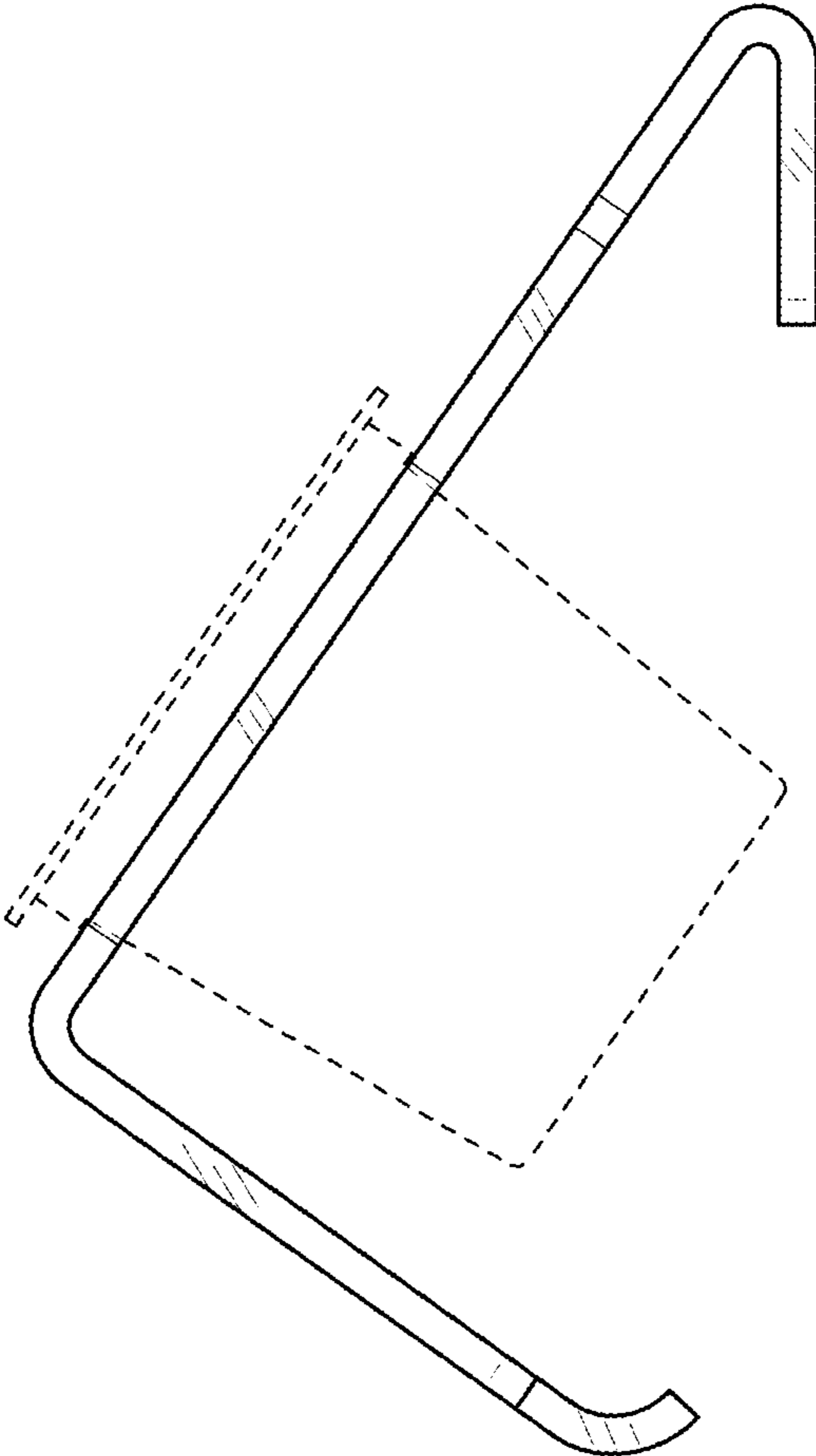


FIG. 5

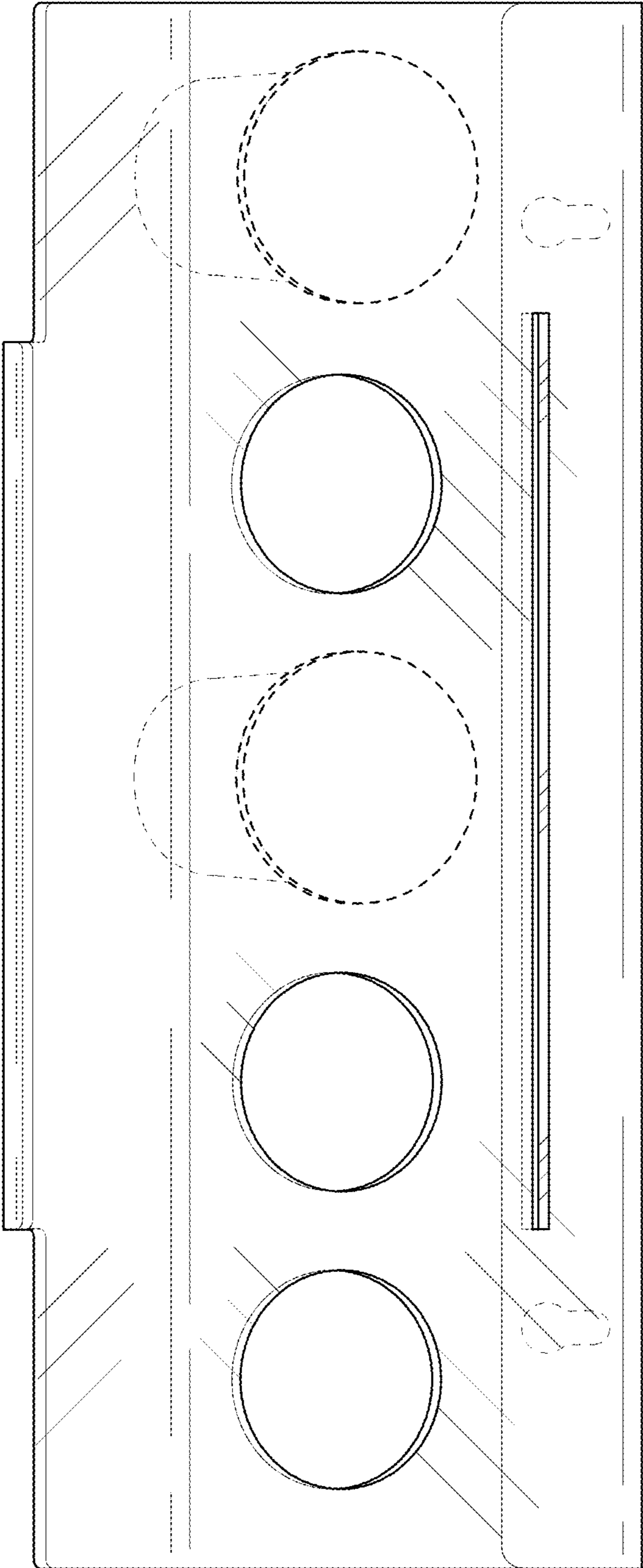


FIG. 6

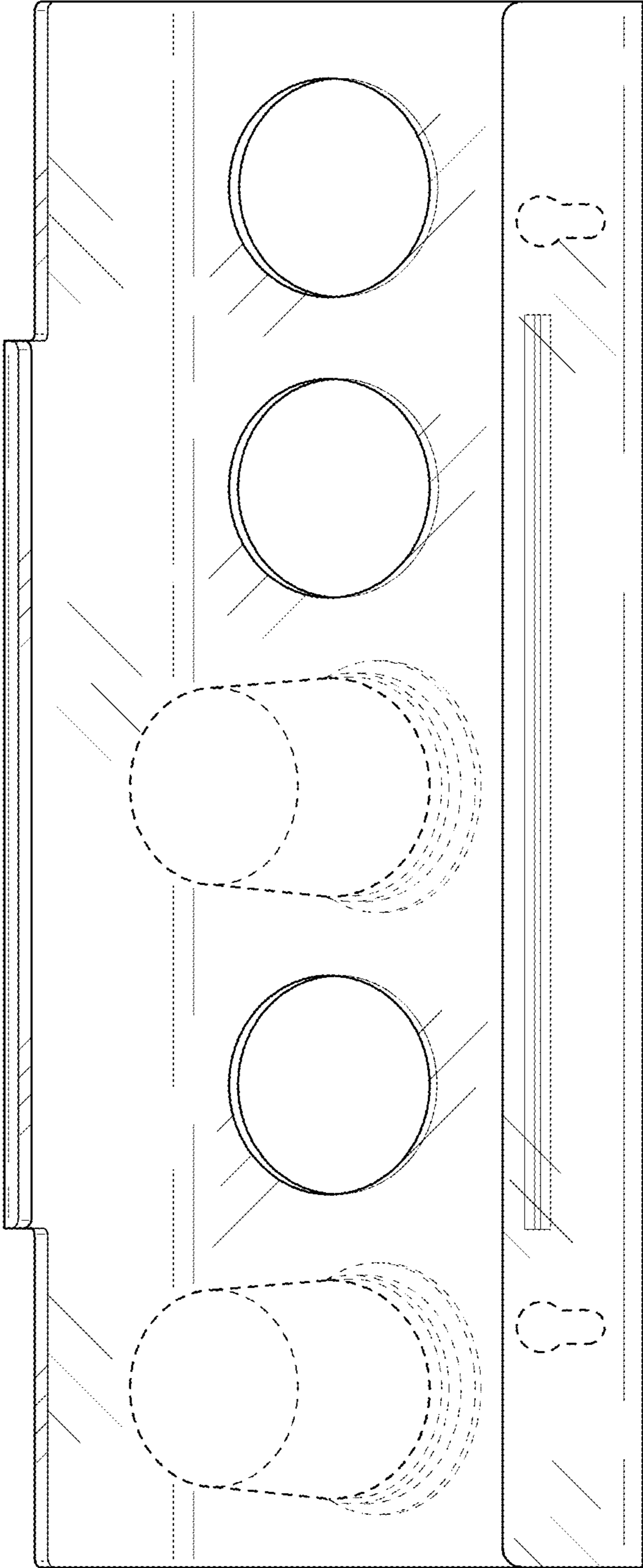


FIG. 7