



US00D817104S

(12) **United States Design Patent**
Ignatoff

(10) **Patent No.:** **US D817,104 S**

(45) **Date of Patent:** **** May 8, 2018**

(54) **FOOD DISPENSING JAR**

(71) Applicant: **Emily L. Ignatoff**, Tucson, AZ (US)

(72) Inventor: **Emily L. Ignatoff**, Tucson, AZ (US)

(**) Term: **15 Years**

(21) Appl. No.: **29/538,814**

(22) Filed: **Sep. 8, 2015**

(51) **LOC (11) Cl.** **07-07**

(52) **U.S. Cl.**

USPC **D7/589**; D7/629

(58) **Field of Classification Search**

USPC D7/300, 300.1, 300.2, 301, 302, 303,
D7/589, 590, 598, 599, 629, 591-597,
D7/601, 602, 603, 604, 605, 608, 612,
D7/613, 614, 615, 619.1, 619.2, 630, 623,
D7/628, 710, 514, 518, 515, 509, 538,
D7/539, 540, 542, 544, 545, 368, 665,
D7/666, 668, 669, 674, 679, 681, 683,
D7/684, 685, 686, 688, 370, 371, 372,
D7/376; D9/600, 643, 644, 645, 646,
D9/647, 655, 661, 738, 743, 744, 745,
D9/746, 761, 772, 773, 776, 500, 516,
D9/537, 539, 541, 545, 546, 549, 551,
D9/559

CPC B65D 47/04; B65D 47/18; B65D 47/06;
B65D 47/28; B65D 47/286; B65D 43/02;
B65D 43/14; B65D 43/16; B65D
2543/00092; B65D 2543/00296; B65D
2543/00537; A47J 43/27; A47G 19/24;
A47G 19/00; A47G 19/122; A47G
19/125; A47G 19/127; A47G 19/18;
A47G 19/20; A47G 19/14; A47G 19/32;
A47G 19/34; B01F 13/002

See application file for complete search history.

(56) **References Cited**

U.S. PATENT DOCUMENTS

D49,049 S *	5/1916	Bostwick	D7/590
2,749,098 A *	6/1956	Johnson	A47J 43/105
				366/243
D181,143 S *	10/1957	Gundelfinger	366/256
D237,576 S *	11/1975	Gayle	241/168
4,135,672 A *	1/1979	Schlessel	A47J 42/04
				241/169.1
D258,257 S *	2/1981	Bounds	D7/679
D268,318 S *	3/1983	Lutzker	D7/669
D269,584 S *	7/1983	Bounds	D7/679
4,408,703 A *	10/1983	Libit	G01F 11/18
				222/284
D273,553 S *	4/1984	Bovet	D7/372
D275,829 S *	10/1984	Starke	D7/589
4,522,314 A *	6/1985	Nelson	A47G 21/12
				206/380
D287,209 S *	12/1986	Bounds	D7/679
D288,514 S *	3/1987	Tong	D7/665
D292,257 S *	10/1987	Bounds	D7/679
D292,358 S *	10/1987	Cockrell	D7/589
D302,508 S *	8/1989	Persoff	D7/596
D305,196 S *	12/1989	Persoff	D7/596
D307,223 S *	4/1990	Rossari	D7/679

(Continued)

Primary Examiner — Shannon W Morgan

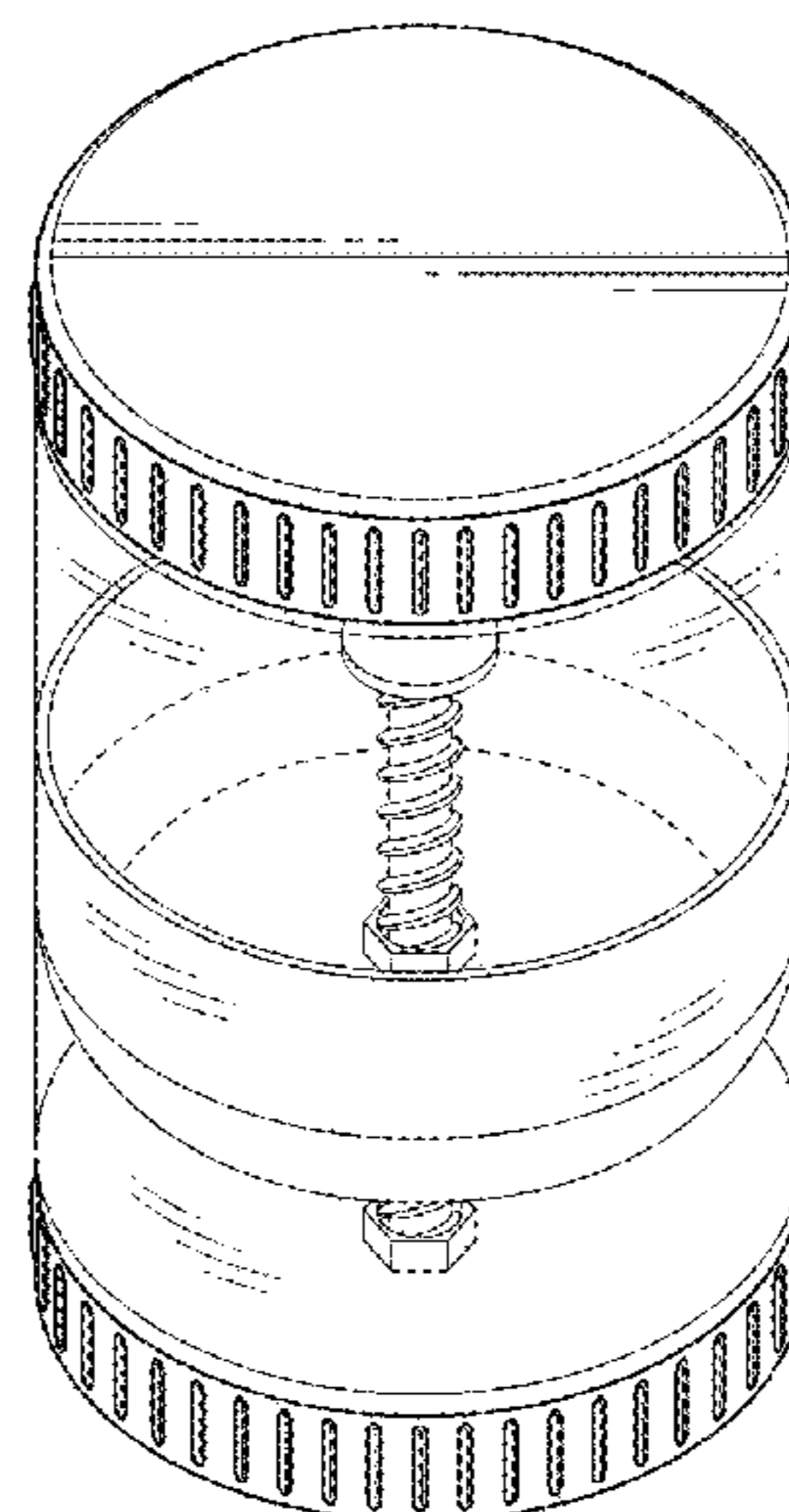
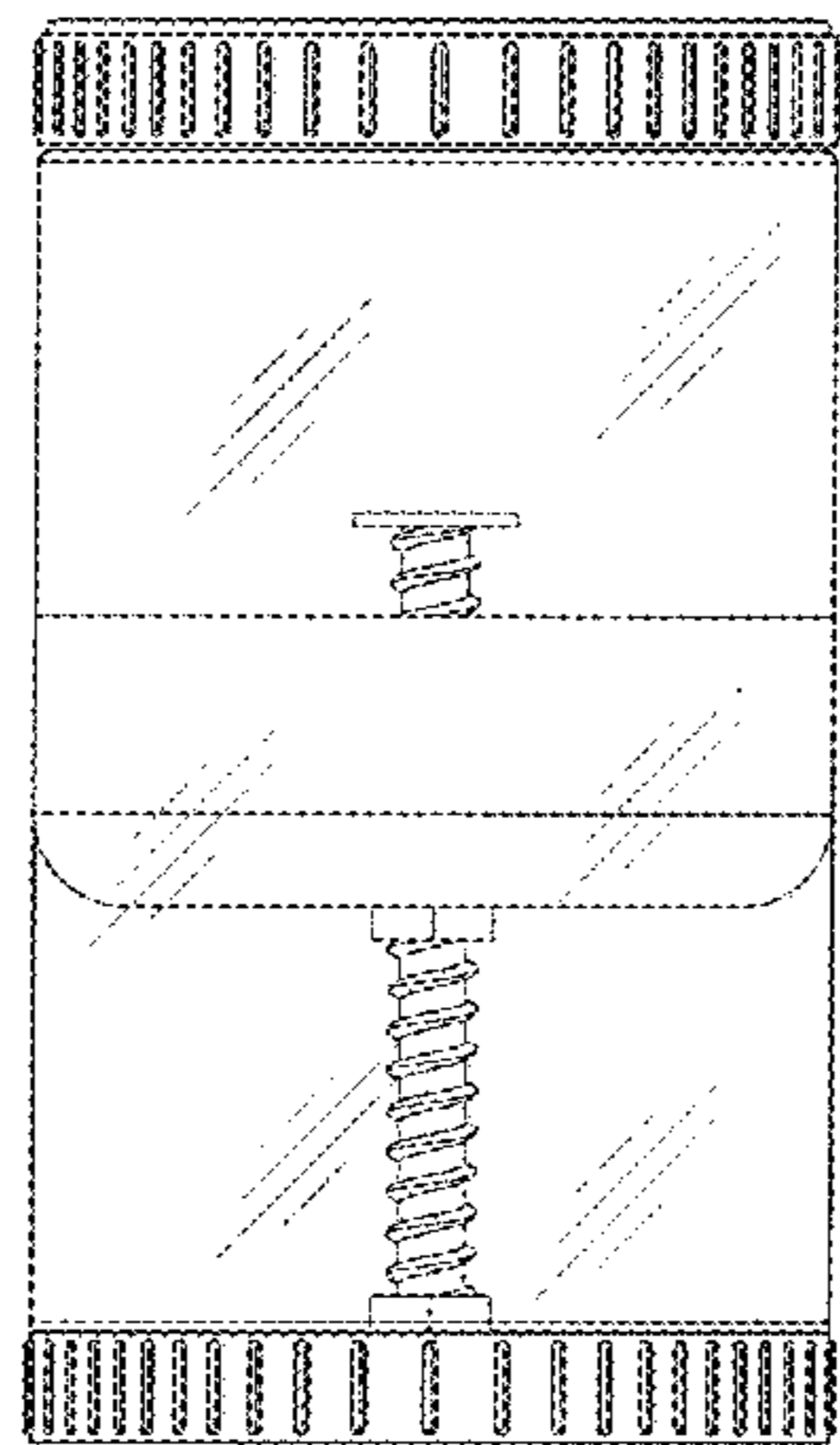
(57) **CLAIM**

The ornamental design for a food dispensing jar, as shown and described.

DESCRIPTION

FIG. 1 is a side view of a food dispensing jar showing my new design;
FIG. 2 is a top view thereof;
FIG. 3 is a bottom view thereof;
FIG. 4 is a bottom perspective view thereof; and,
FIG. 5 is a top perspective view.
In FIG. 5, the broken lines and area within said broken lines depict portions of the food dispensing jar that form no part of the claimed design.

1 Claim, 2 Drawing Sheets



(56)

References Cited

U.S. PATENT DOCUMENTS

D309,075	S *	7/1990	Rossari	D7/590
D309,698	S *	8/1990	Bounds	D7/679
D315,480	S *	3/1991	Wu	D7/679
D336,829	S *	6/1993	Ancona	D7/591
D338,598	S *	8/1993	Ancona	D7/591
D341,062	S *	11/1993	Husted	D7/679
D341,063	S *	11/1993	Husted	D7/679
D361,478	S *	8/1995	Kinsman	D7/679
D363,405	S *	10/1995	Elliott, Sr.	D7/669
5,695,282	A *	12/1997	Hess	A47J 43/27 366/256
D390,427	S *	2/1998	Bounds	D7/679
5,934,516	A *	8/1999	Strycharske	A23G 3/28 222/158
D465,135	S *	11/2002	Ng	D7/679
D508,385	S *	8/2005	Gilberts	D7/679
D665,222	S *	8/2012	Cerasani	D7/376
D667,703	S *	9/2012	Ramirez	D7/665
D700,008	S *	2/2014	Ehrenhaus	D7/376
D766,045	S *	9/2016	Ismail	D7/589
D797,517	S *	9/2017	de Almeida Braga	D7/602
2003/0071070	A1 *	4/2003	Jouve	G01F 11/261 222/205
2006/0255035	A1 *	11/2006	Lin	A47J 41/0016 220/212
2011/0101023	A1 *	5/2011	Chan	G01F 11/20 222/1

* cited by examiner

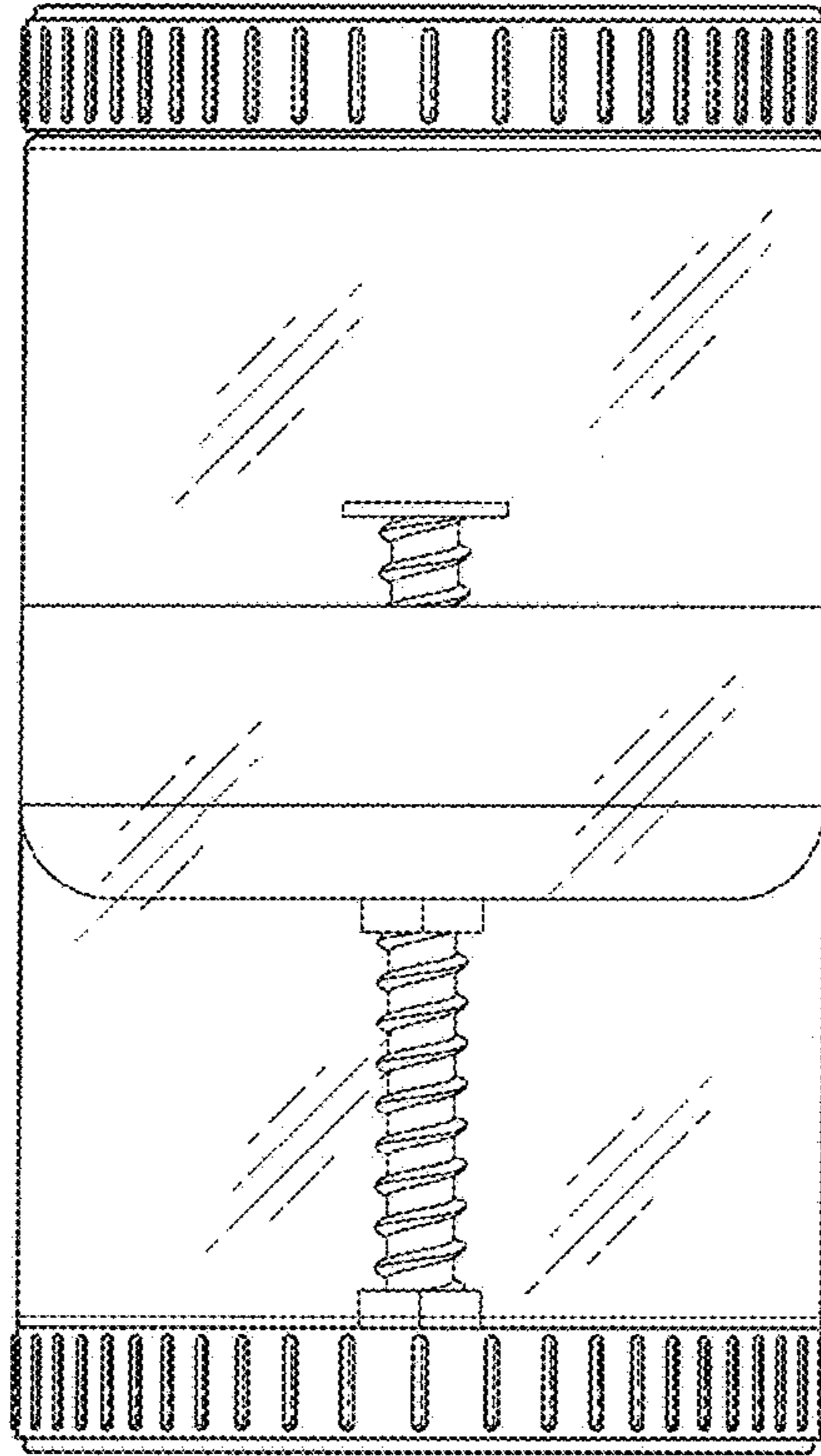


FIG. 1

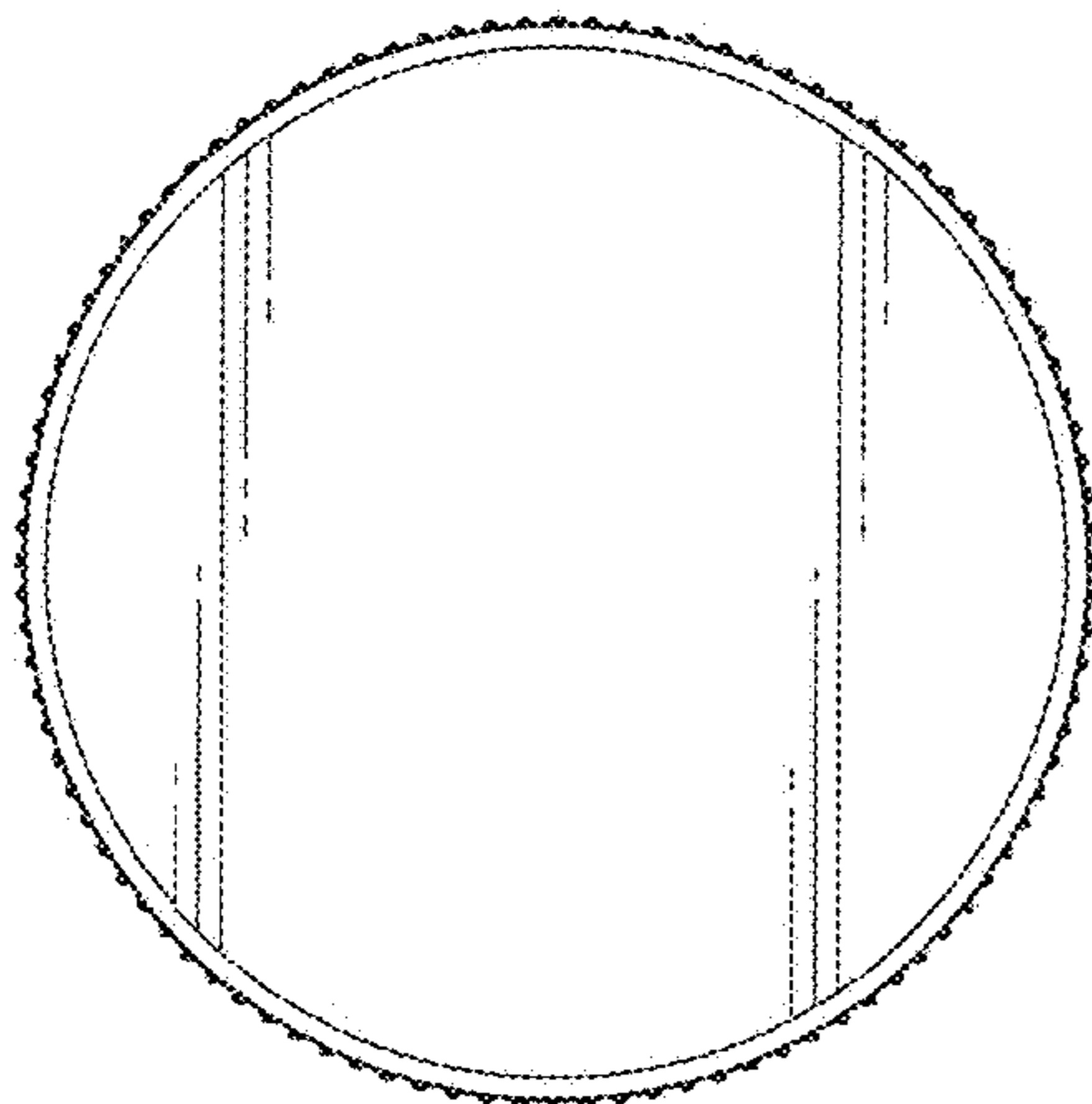


FIG. 2

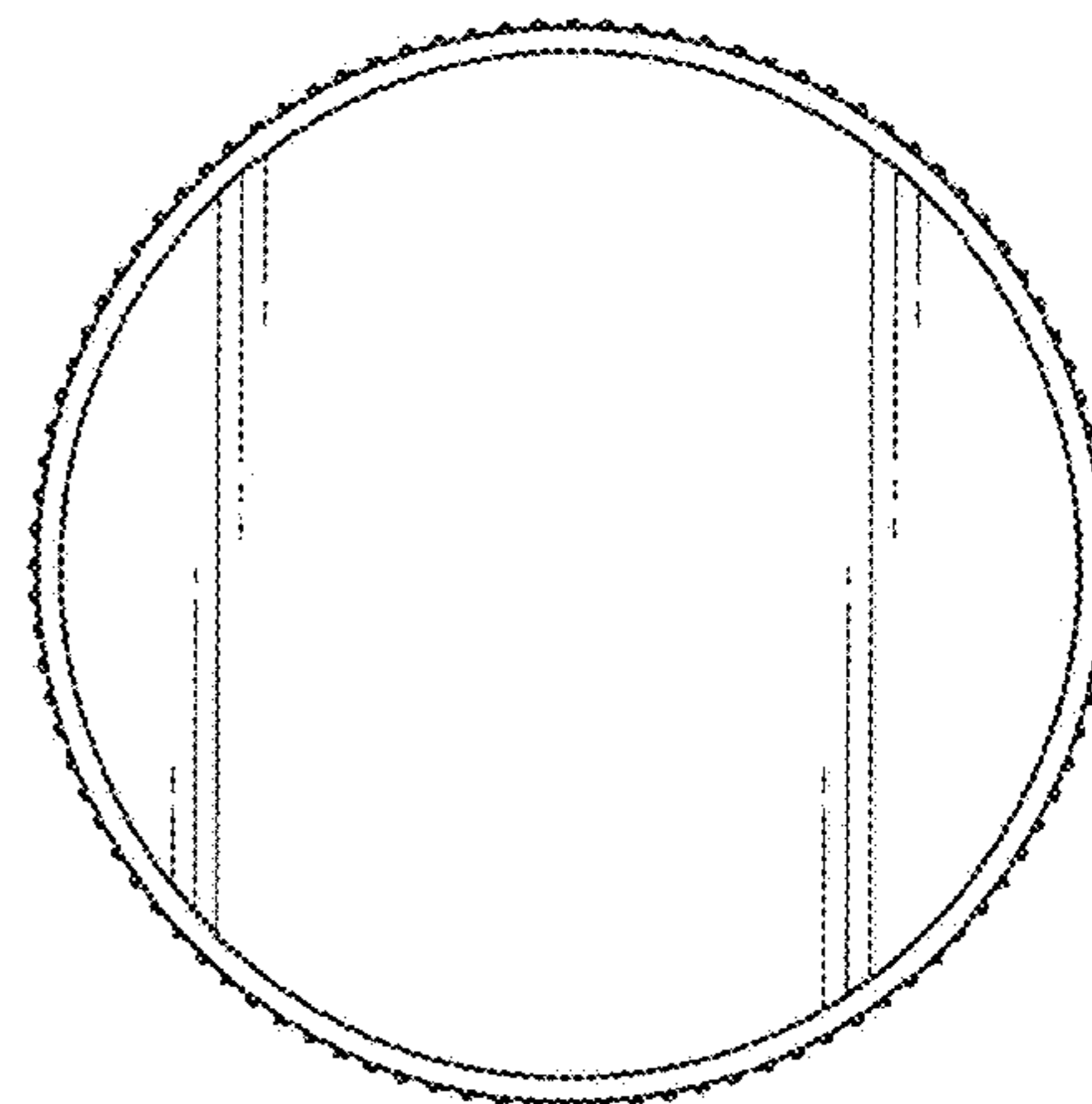


FIG. 3

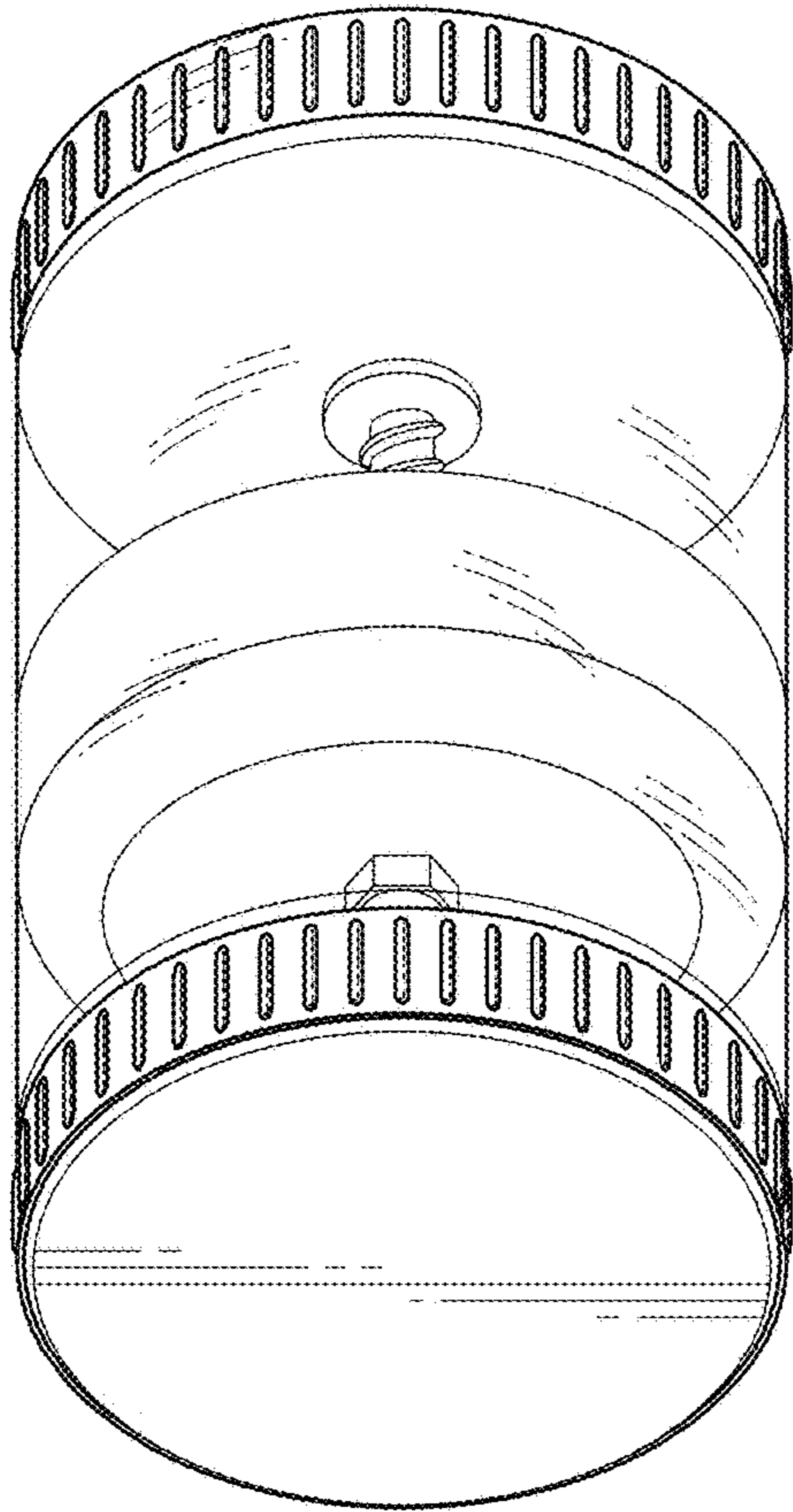


FIG. 4

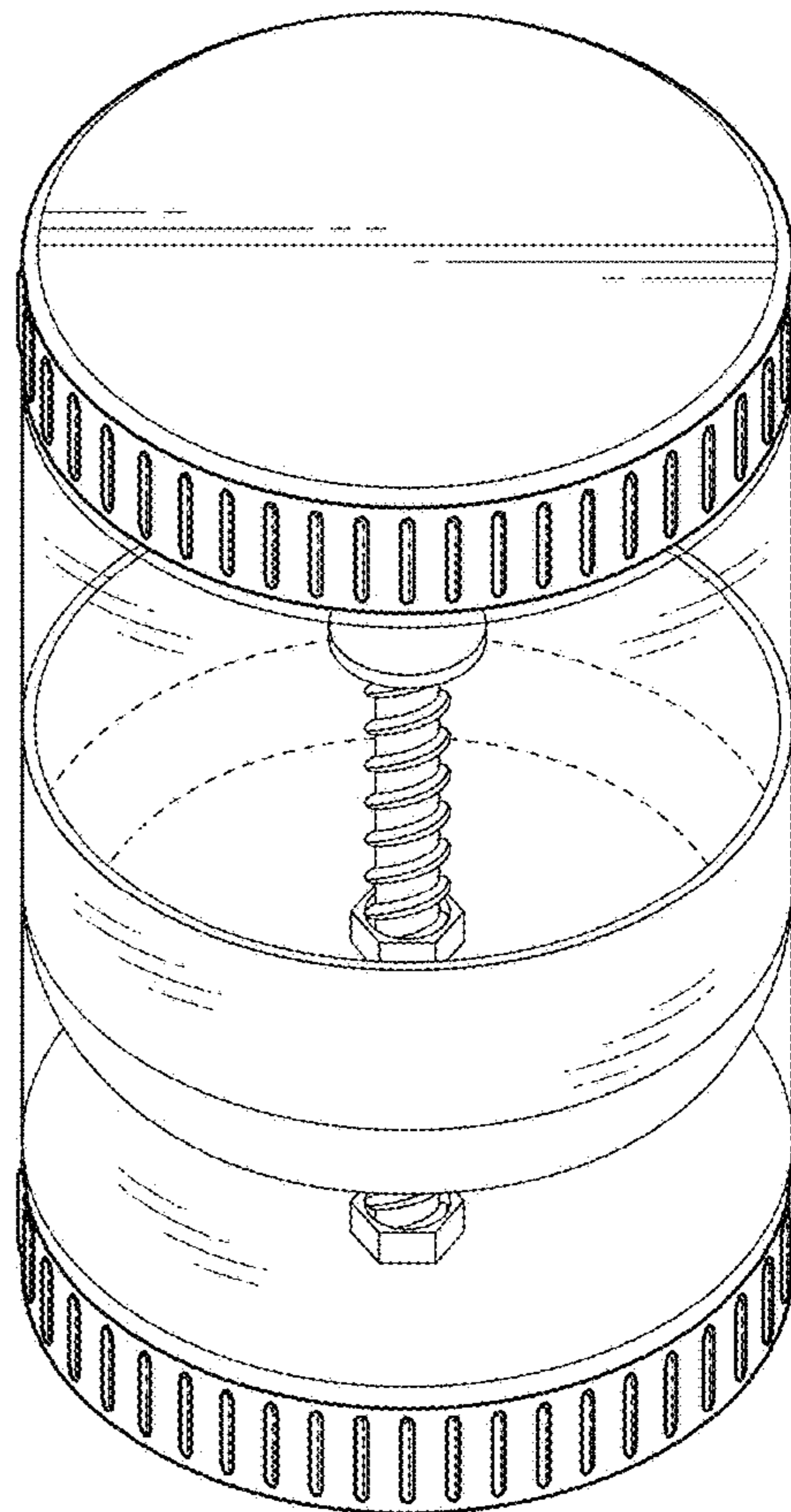


FIG. 5