



US00D817103S

(12) **United States Design Patent**  
**Clarichetti**

(10) **Patent No.:** **US D817,103 S**

(45) **Date of Patent:** **\*\* May 8, 2018**

(54) **PAPER PLATE**

(71) Applicant: **EX.TRA. S.R.L.**, Pomezia (IT)

(72) Inventor: **Gianluca Clarichetti**, Pomezia (IT)

(73) Assignee: **EX.TRA. S.R.L.**, Pomezia (IT)

(\*\*) Term: **15 Years**

(21) Appl. No.: **29/588,586**

(22) Filed: **Dec. 21, 2016**

(30) **Foreign Application Priority Data**

Jun. 27, 2016 (EM) ..... 003241561

(51) **LOC (11) Cl.** ..... **07-01**

(52) **U.S. Cl.**  
USPC ..... **D7/585**

(58) **Field of Classification Search**  
USPC ..... D7/584, 585, 500  
CPC ..... A47G 19/03; A47G 19/00  
See application file for complete search history.

(56) **References Cited**

**U.S. PATENT DOCUMENTS**

D61,298 S *	8/1922	Goodwin	.....	D7/585
D102,808 S *	1/1937	Van Winkle et al.	.....	D7/585
2,323,356 A *	7/1943	Rosay	.....	A47G 19/03
				220/574.3
D154,216 S *	6/1949	Reifsnyder	.....	D7/562
D187,156 S *	2/1960	Masuda et al.	.....	D7/585
D239,686 S *	4/1976	Gosta et al.	.....	220/574
D374,153 S *	10/1996	Moreno-Montemayor	...	D7/566
D501,762 S *	2/2005	Wolhender	.....	D7/566
D504,282 S *	4/2005	McMullin	.....	D7/543
D518,334 S *	4/2006	Wolhender	.....	D7/396.5

D525,832 S *	8/2006	Hayes	.....	D7/554.2
D527,584 S *	9/2006	Hayes	.....	D7/545
D563,729 S *	3/2008	Eide	.....	D7/584
D577,963 S *	10/2008	Eide	.....	D7/585
D595,542 S *	7/2009	Dewey	.....	D7/566
D702,504 S *	4/2014	Tibbets	.....	D7/566
D711,191 S *	8/2014	Lee	.....	D7/388
D722,251 S *	2/2015	Morga	.....	D7/500
9,555,594 B2 *	1/2017	Littlejohn	.....	A47G 19/03

\* cited by examiner

*Primary Examiner* — Cynthia R Underwood

(74) *Attorney, Agent, or Firm* — Cantor Colburn LLP

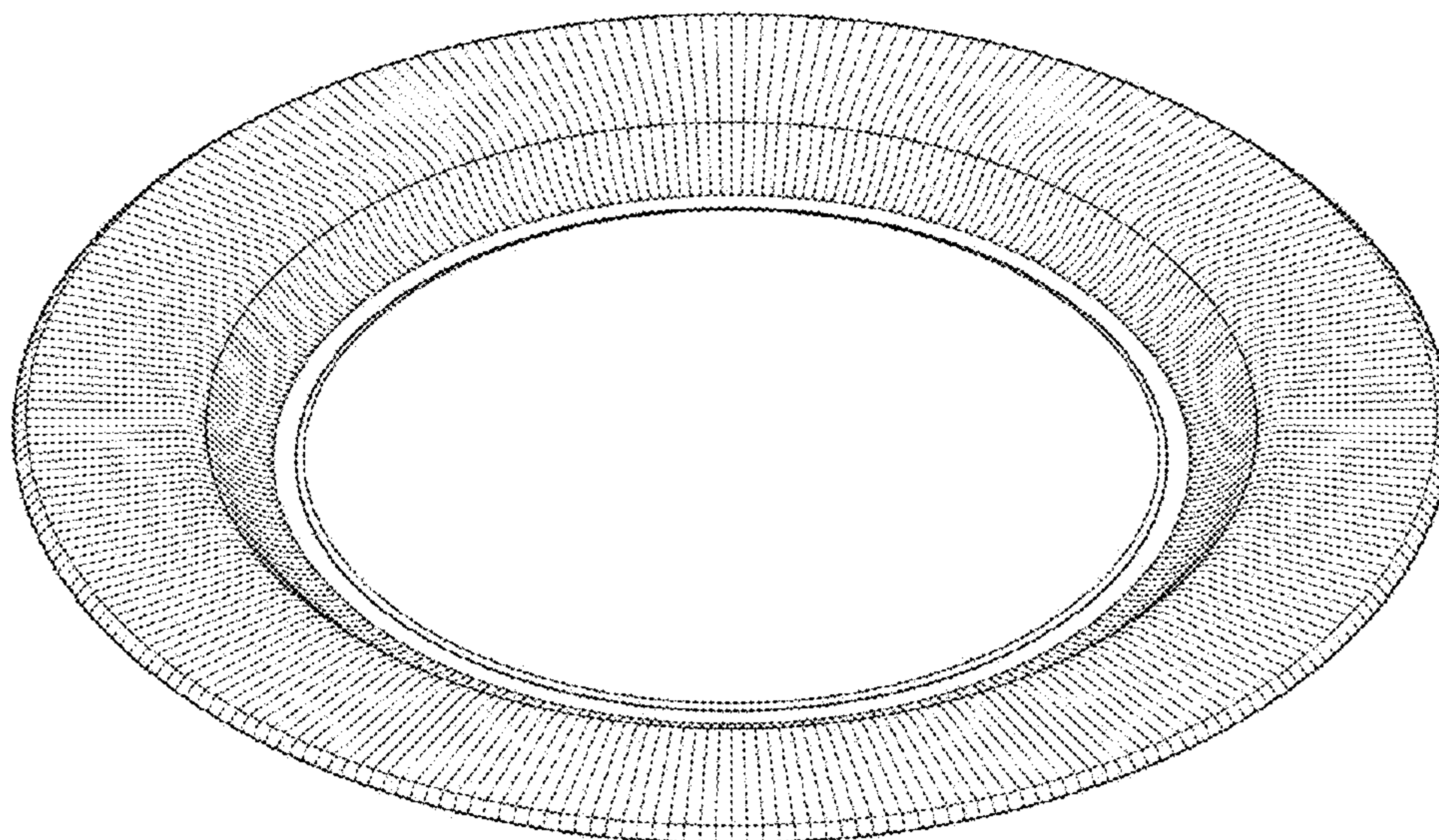
(57) **CLAIM**

I claim, the ornamental design for a paper plate, as shown and described.

**DESCRIPTION**

FIG. 1 is a perspective view of a paper plate showing my new design;  
 FIG. 2 is a front elevation view thereof;  
 FIG. 3 is a rear elevation view thereof;  
 FIG. 4 is a left side elevation view thereof;  
 FIG. 5 is a right side elevation view thereof;  
 FIG. 6 is a top plan view thereof;  
 FIG. 7 is a bottom plan view thereof;  
 FIG. 8 is a perspective view of another embodiment thereof;  
 FIG. 9 is a front elevation view thereof;  
 FIG. 10 is a rear elevation view thereof;  
 FIG. 11 is a left side elevation view thereof;  
 FIG. 12 is a right side elevation view thereof;  
 FIG. 13 is a top plan view thereof; and,  
 FIG. 14 is a bottom plan view thereof.

**1 Claim, 14 Drawing Sheets**



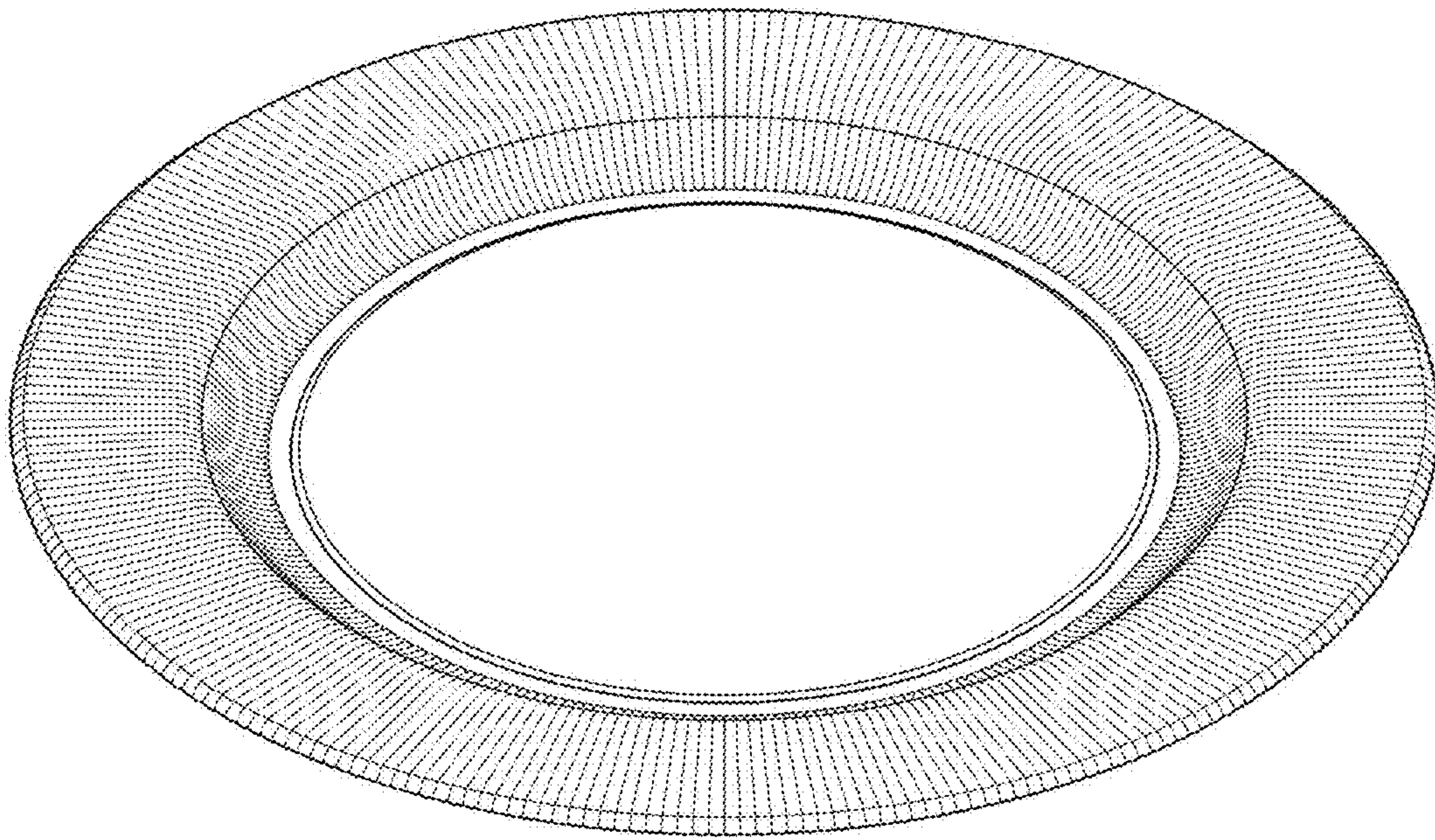


Fig. 1





Fig. 2

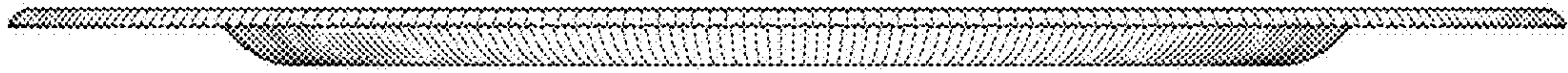


Fig. 3



Fig. 4



Fig. 5

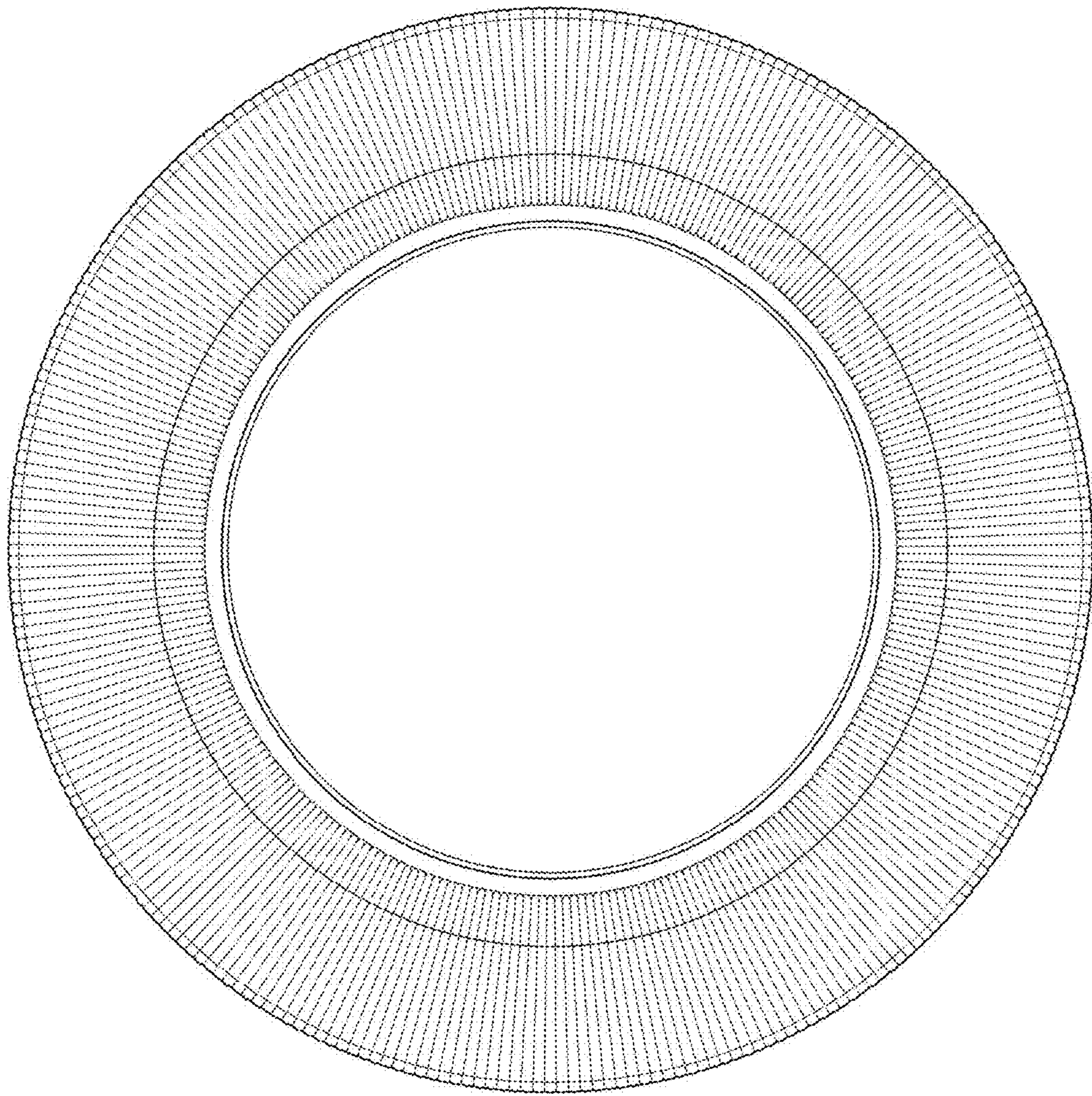


Fig. 6



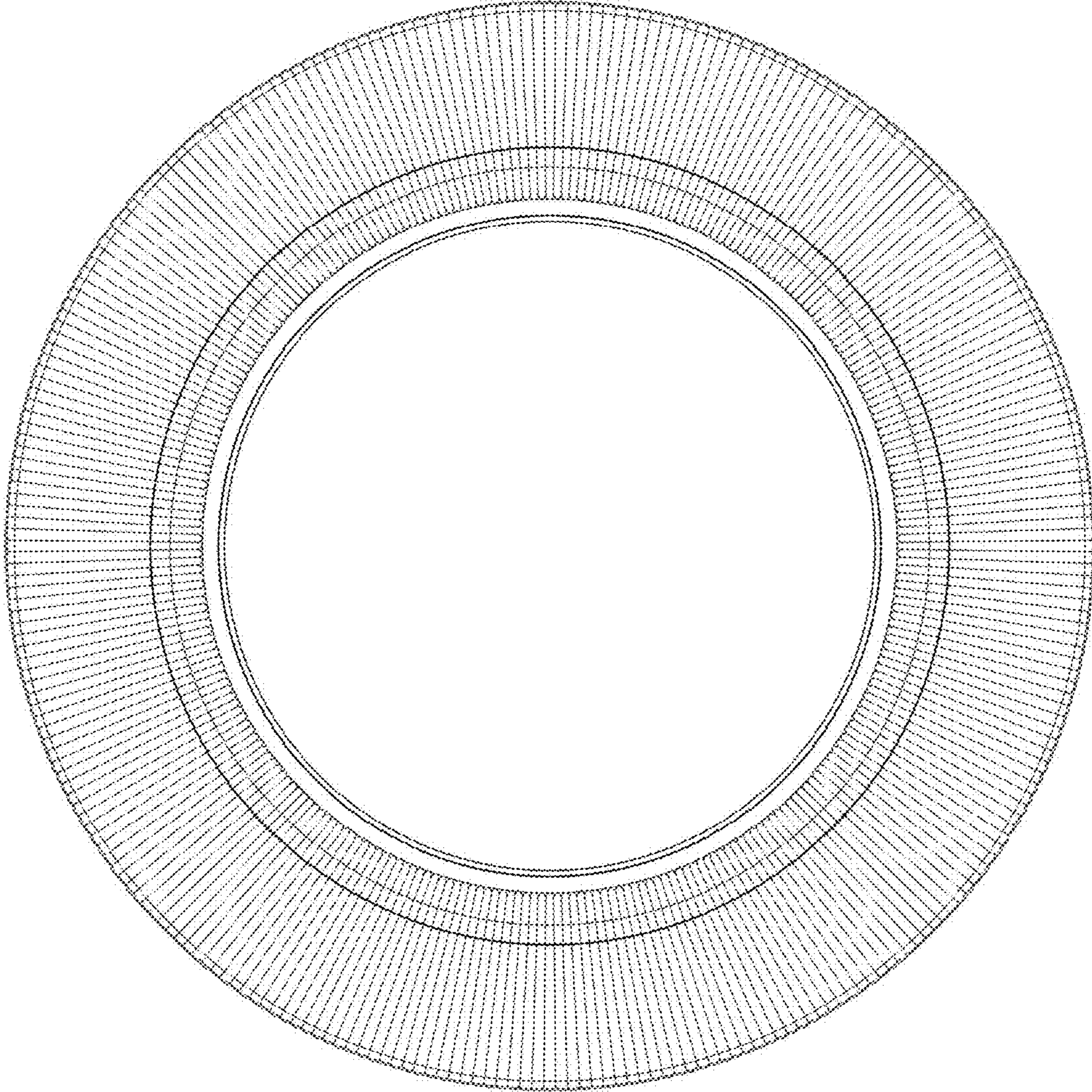


Fig. 7



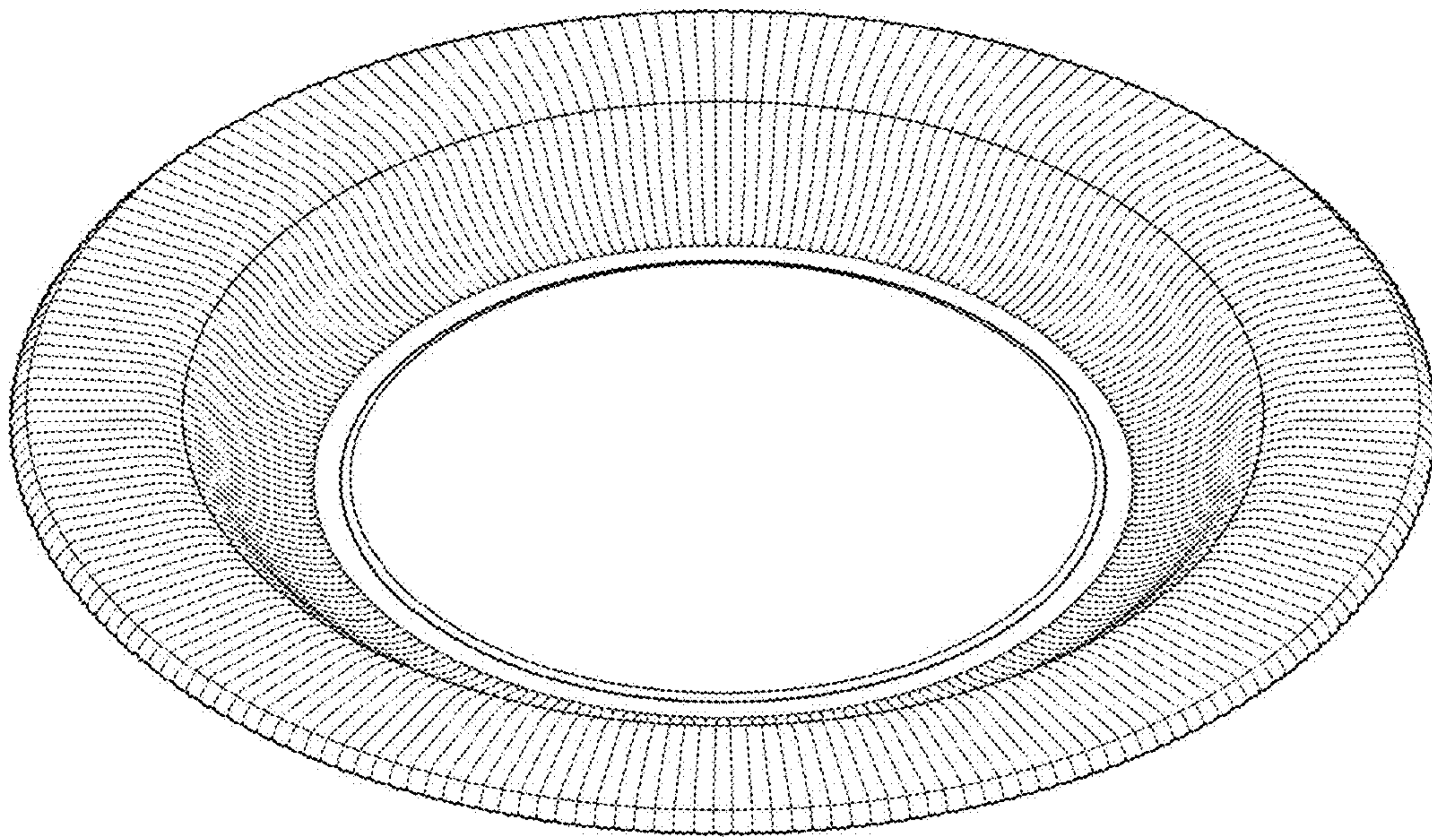


Fig. 8

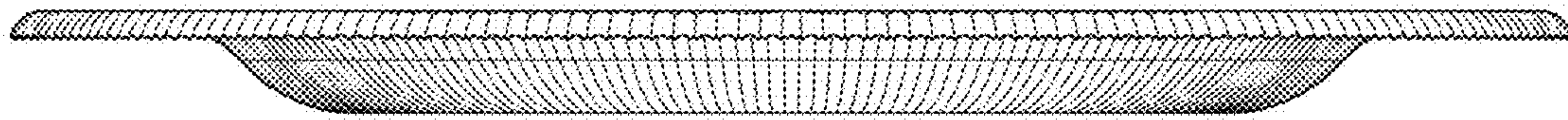


Fig. 9

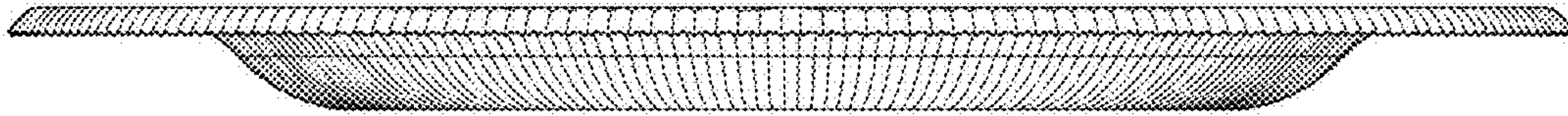


Fig. 10



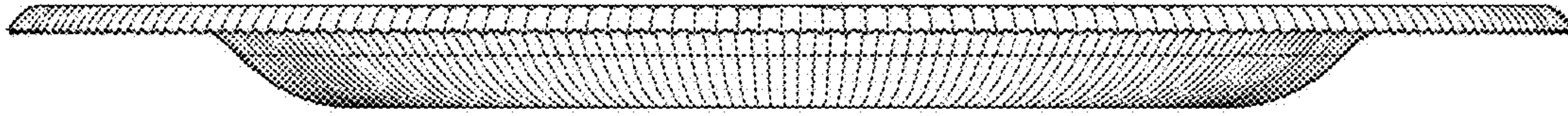


Fig. 11

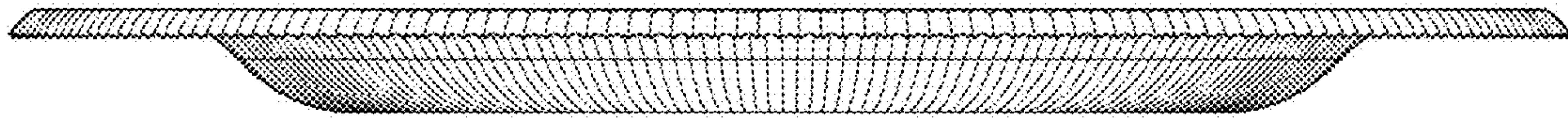


Fig. 12

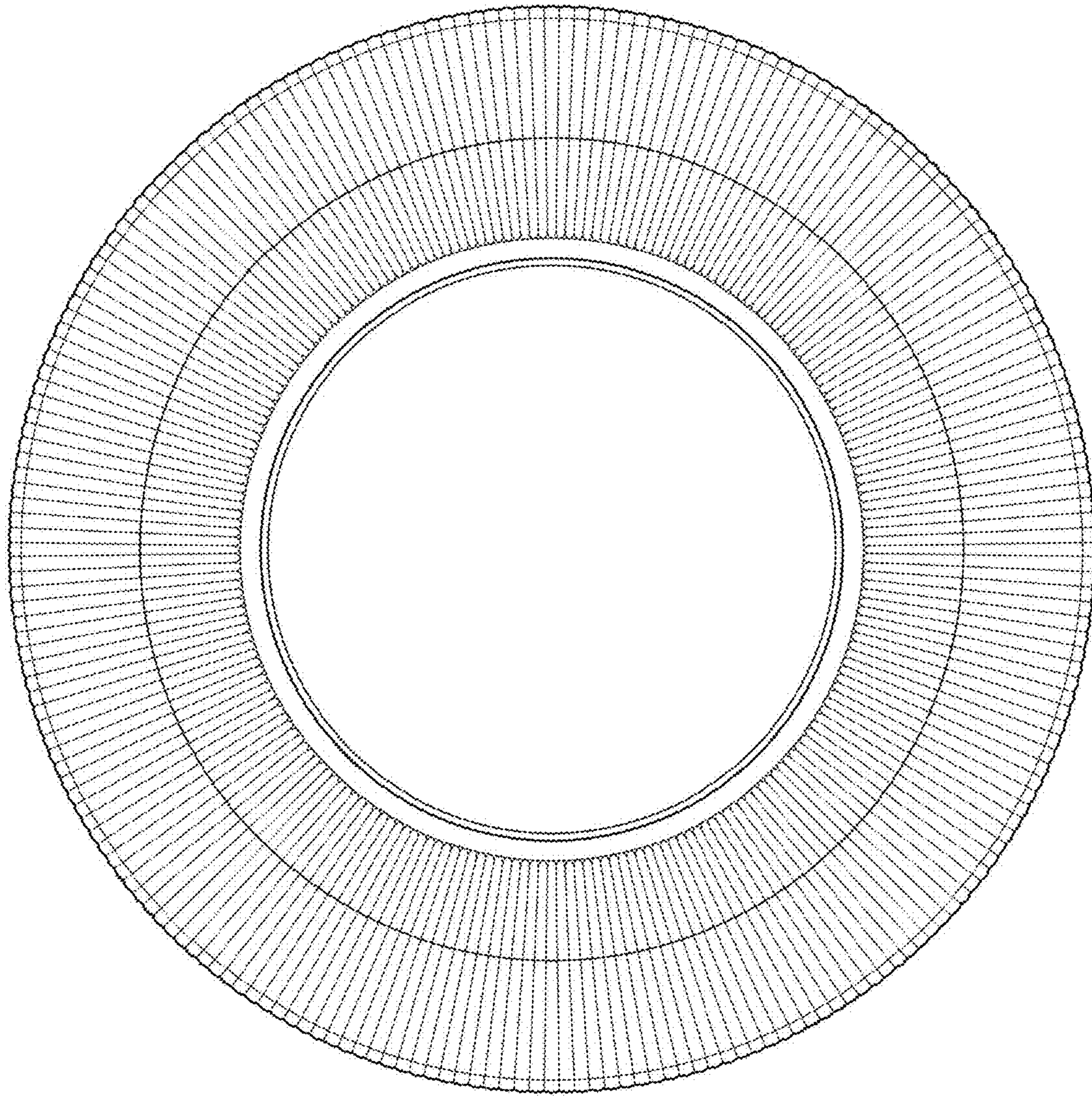


Fig. 13



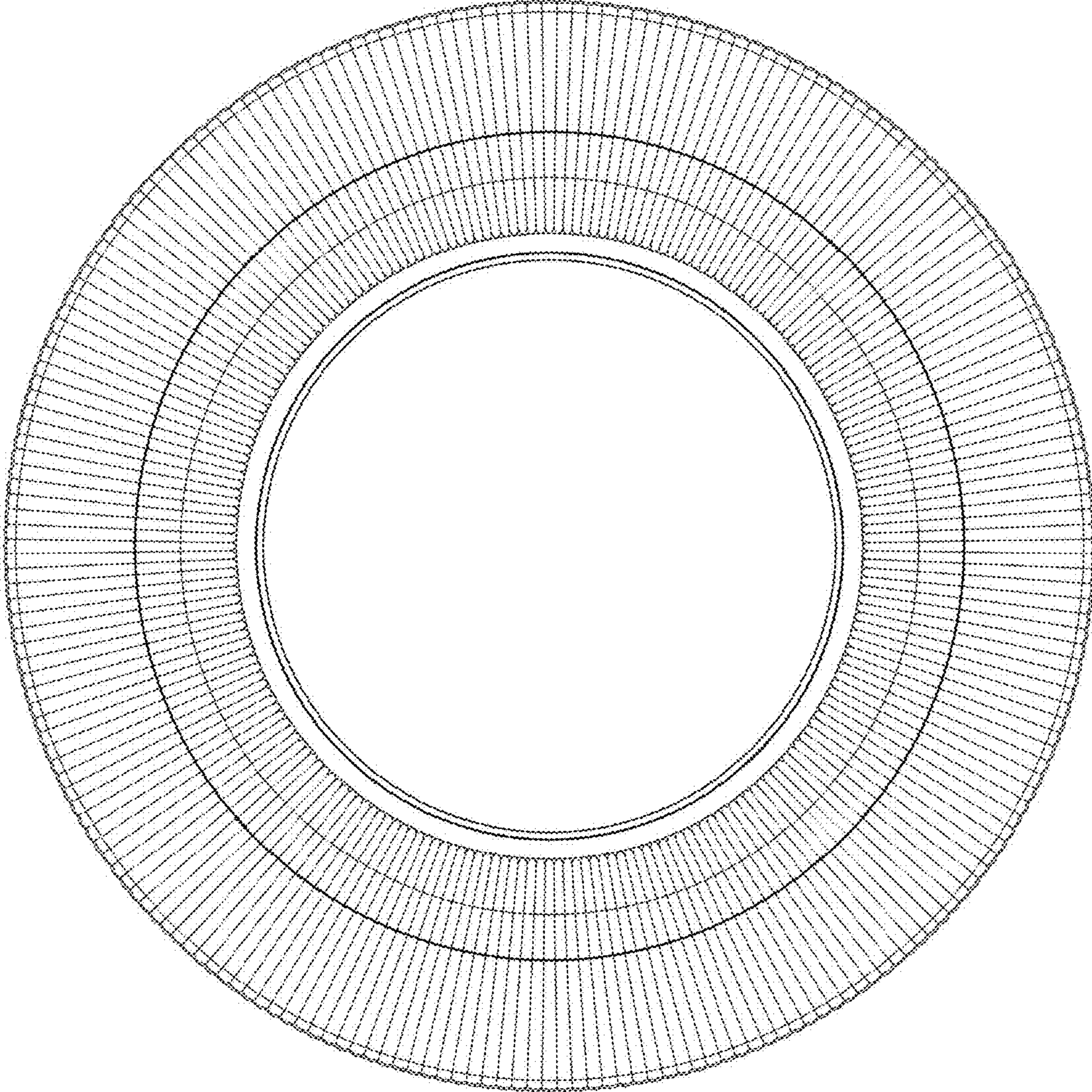


Fig. 14