



US00D817102S

(12) **United States Design Patent** (10) **Patent No.:** **US D817,102 S**
Higgins (45) **Date of Patent:** **** May 8, 2018**

(54) **HORS D'OEUVRE HOLDER**
(71) Applicant: **Patrick Higgins**, Chandler, AZ (US)
(72) Inventor: **Patrick Higgins**, Chandler, AZ (US)
(**) Term: **15 Years**

D345,084 S 3/1994 Williams
D353,077 S * 12/1994 Hollstrom D7/553.5
5,429,266 A 7/1995 D'Oliveira
D366,817 S 2/1996 Sampson
D392,156 S 3/1998 Michael
6,021,914 A 2/2000 Schmidt
D484,000 S 12/2003 Levien
D495,931 S * 9/2004 Cole D7/698
6,938,790 B2 * 9/2005 Hughes F16N 31/006
137/312

(21) Appl. No.: **29/610,804**
(22) Filed: **Jul. 14, 2017**
(51) **LOC (11) Cl.** **07-01**
(52) **U.S. Cl.**
USPC **D7/554.3**
(58) **Field of Classification Search**
USPC D7/550.1, 552.2, 553.2, 553.5, 554.3,
D7/601-602, 397, 401.1; D9/415, 418,
D9/759-761
CPC ... B65D 3/00; B65D 3/26; B65D 5/00; B65D
5/08; B65D 5/20; B65D 5/42; B65D
5/4266
See application file for complete search history.

(Continued)

Primary Examiner — Kelley Donnelly
(74) *Attorney, Agent, or Firm* — IPTechLaw

(57) **CLAIM**

The ornamental design for a hors d'oeuvre holder, as shown and described.

DESCRIPTION

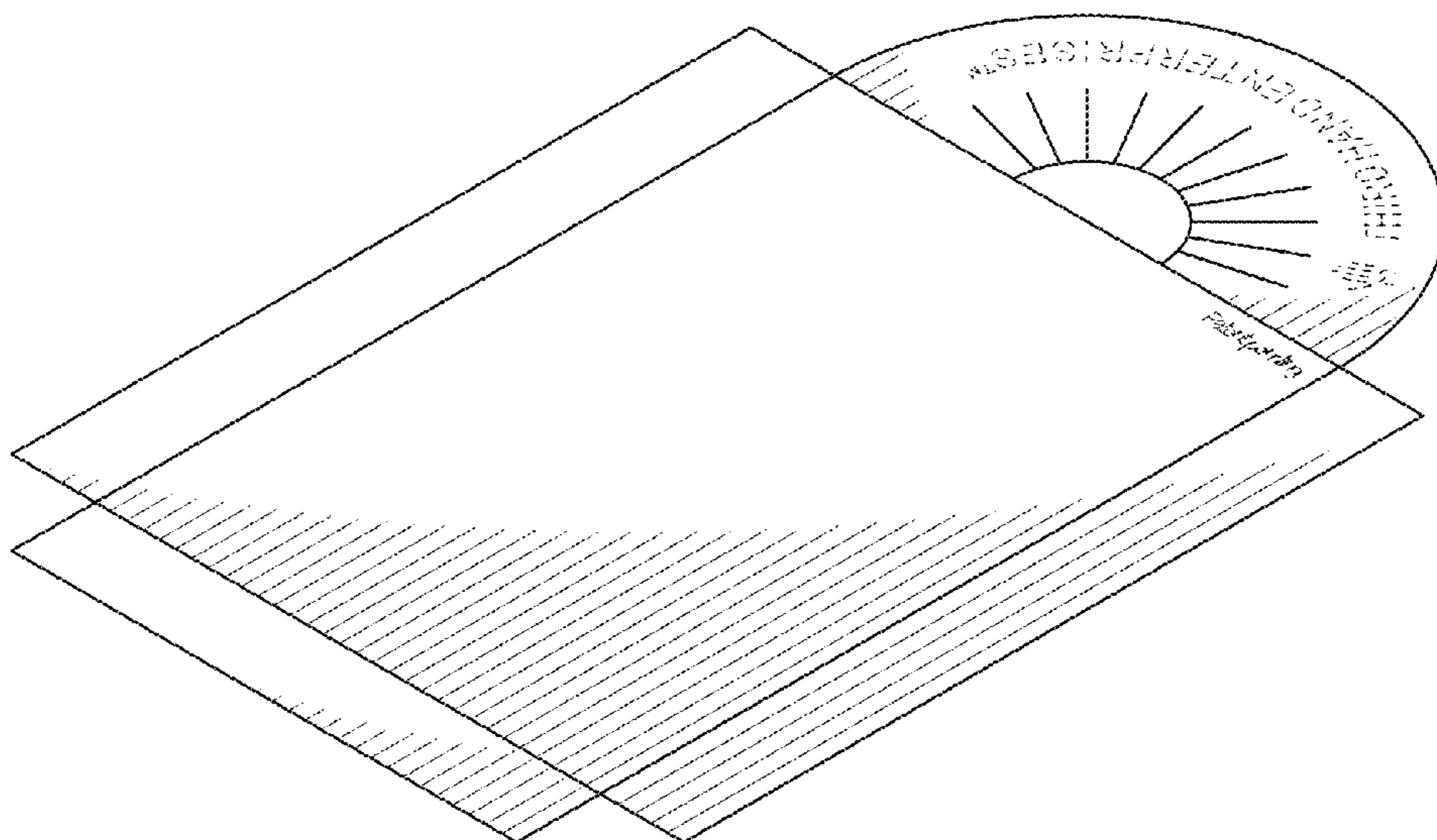
FIG. 1 is a top perspective view of a hors d'oeuvre holder; FIG. 2 is a front view thereof, the rear view being a mirror image; FIG. 3 is a left side view thereof, the right side being a mirror image; FIG. 4 is a top view thereof; FIG. 5 is a bottom view thereof; FIG. 6 is a top perspective view of the hors d'oeuvre holder in a folded position; FIG. 7 is an environmental view thereof; FIG. 8 is a front view thereof; FIG. 9 is a left side view thereof, the right side being a mirror image; FIG. 10 is a rear view thereof; FIG. 11 is a top view thereof; and, FIG. 12 is a bottom view thereof.
All broken lines are directed to environment and are for illustrative purposes only and form no part of the claimed design.

(56) **References Cited**

U.S. PATENT DOCUMENTS

1,396,684 A * 11/1921 Hansen A21B 3/13
249/117
2,427,697 A 9/1947 Weidler
2,916,180 A 12/1959 Alger
3,401,858 A 9/1968 White
3,850,333 A 11/1974 Reichert
D246,875 S * 1/1978 Ellison D3/208
D266,250 S * 9/1982 Gallagher D10/46.2
D268,010 S * 2/1983 O'Brien D20/40
4,461,396 A 7/1984 Harper
D283,390 S * 4/1986 McGinnis D7/698
4,607,758 A 8/1986 Stevens
D289,253 S * 4/1987 Super D10/97
D301,820 S 6/1989 Wasserman
D305,712 S 1/1990 Bauman
5,119,967 A 6/1992 Ercolani
D336,217 S 6/1993 Picozza

1 Claim, 6 Drawing Sheets



(56)

References Cited

U.S. PATENT DOCUMENTS

D530,155 S * 10/2006 Chang D7/554.3
7,392,932 B2 * 7/2008 Bostick, II B65D 5/009
229/189
8,215,242 B2 7/2012 Aguayo
D747,193 S * 1/2016 Melistas D9/433
D767,341 S * 9/2016 Koempel D7/554.3
9,532,928 B2 * 1/2017 Devita A61J 7/02
D791,299 S * 7/2017 Neuberger D23/393
D793,229 S * 8/2017 Meneaud D9/433
D799,826 S * 10/2017 Devita A61J 7/02
D3/304
D808,171 S * 1/2018 Trost D3/304

* cited by examiner

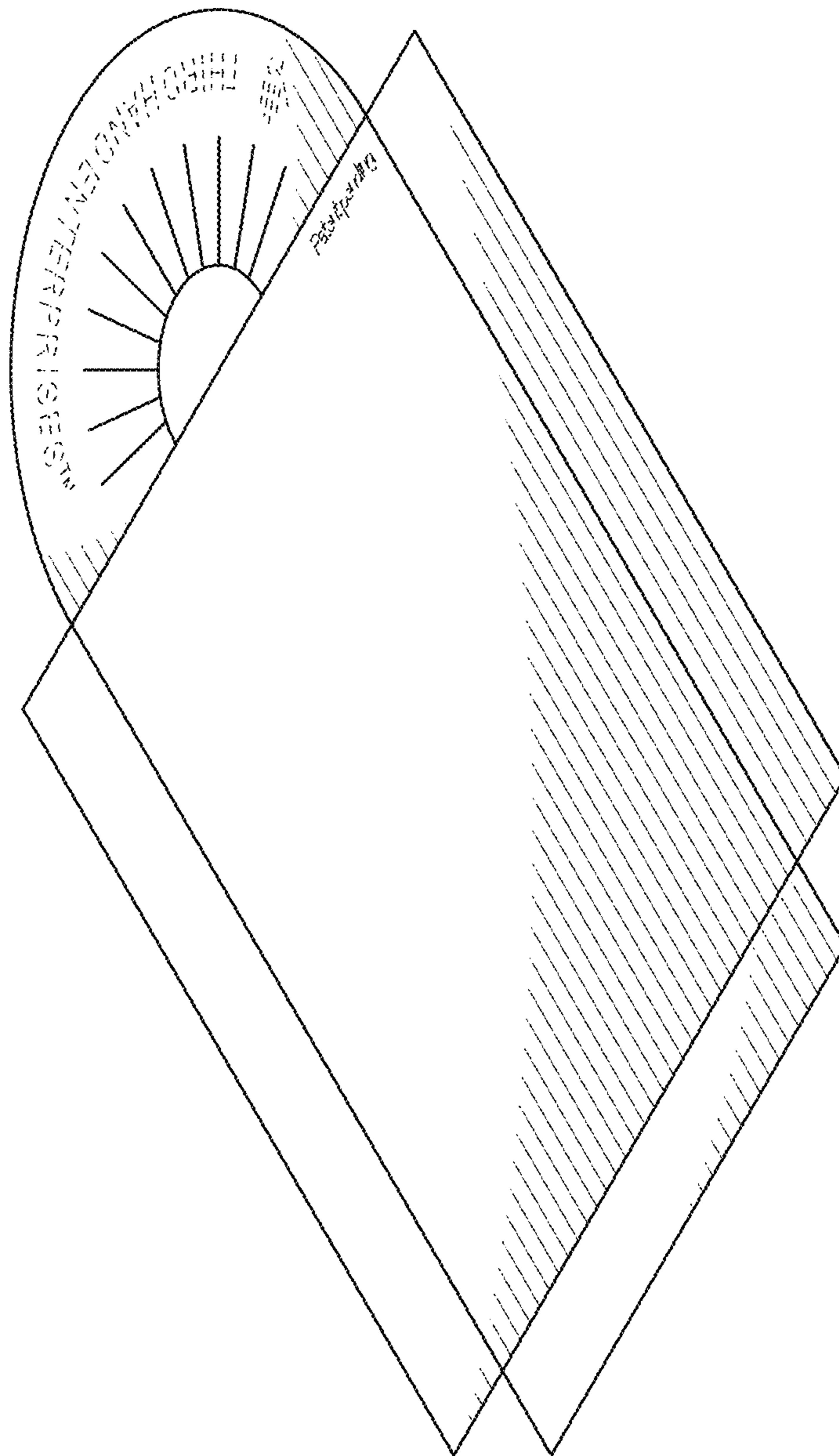


FIG. 1

FIG. 3

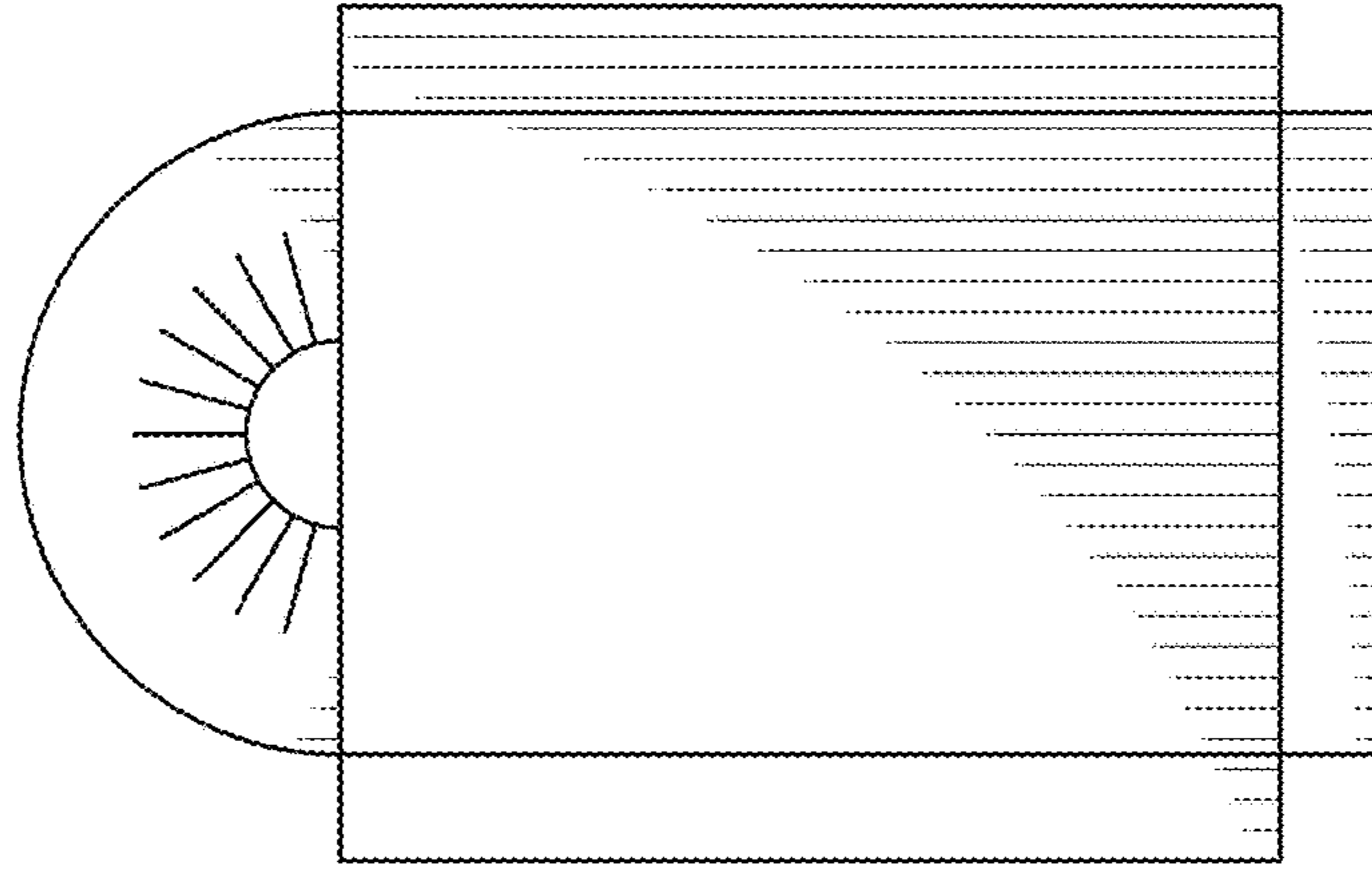


FIG. 5

FIG. 2

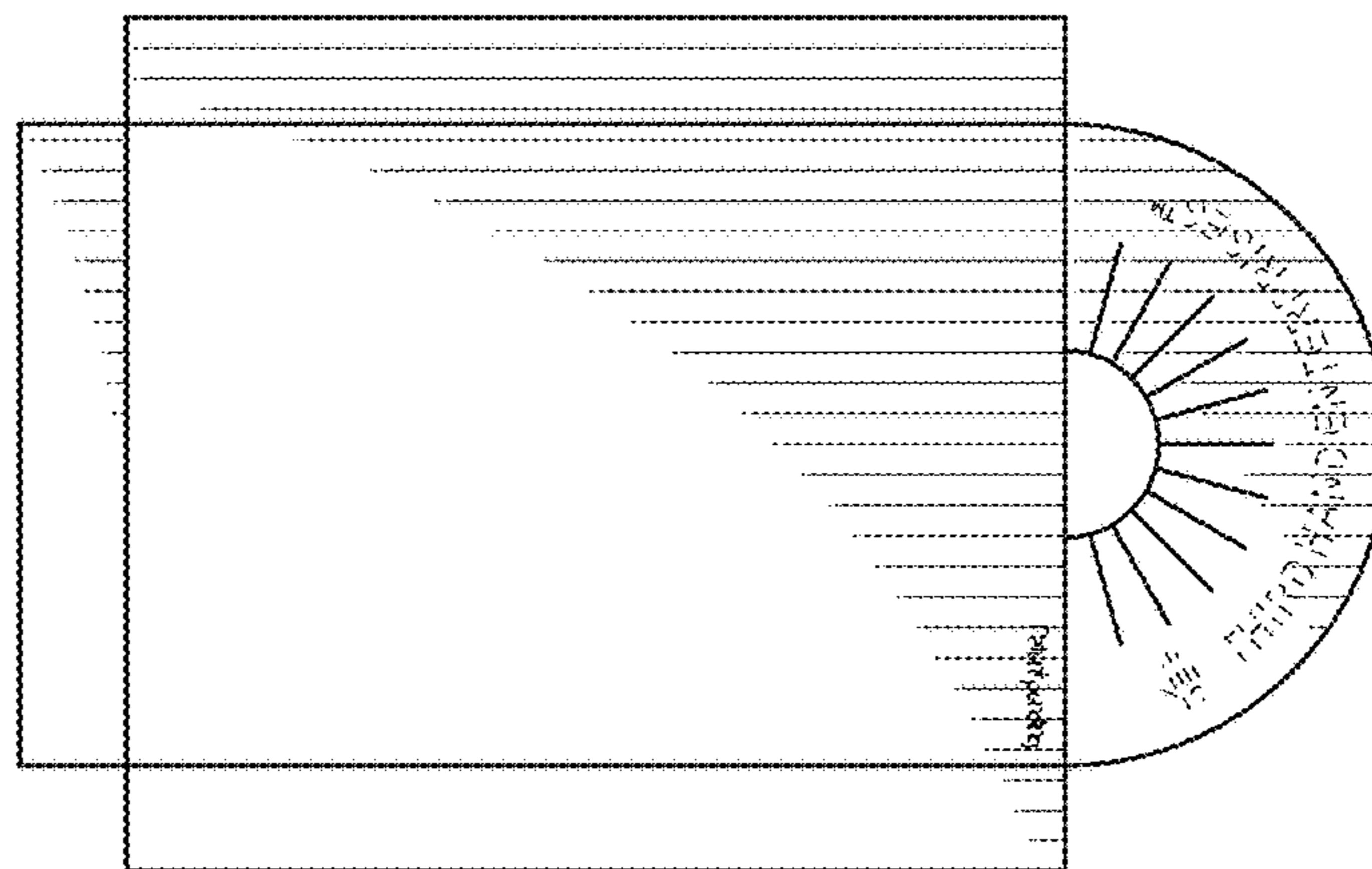


FIG. 4

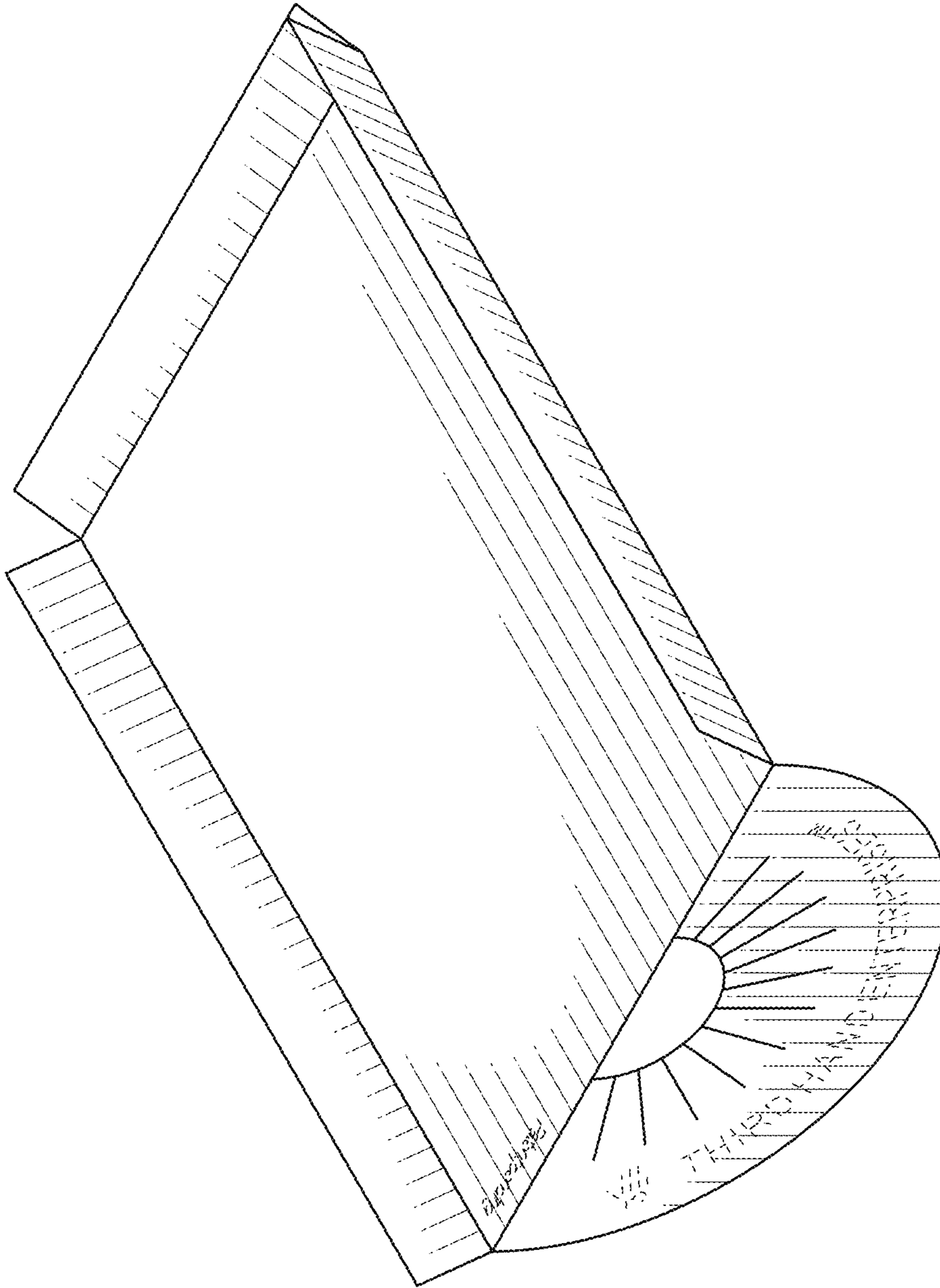


FIG. 6

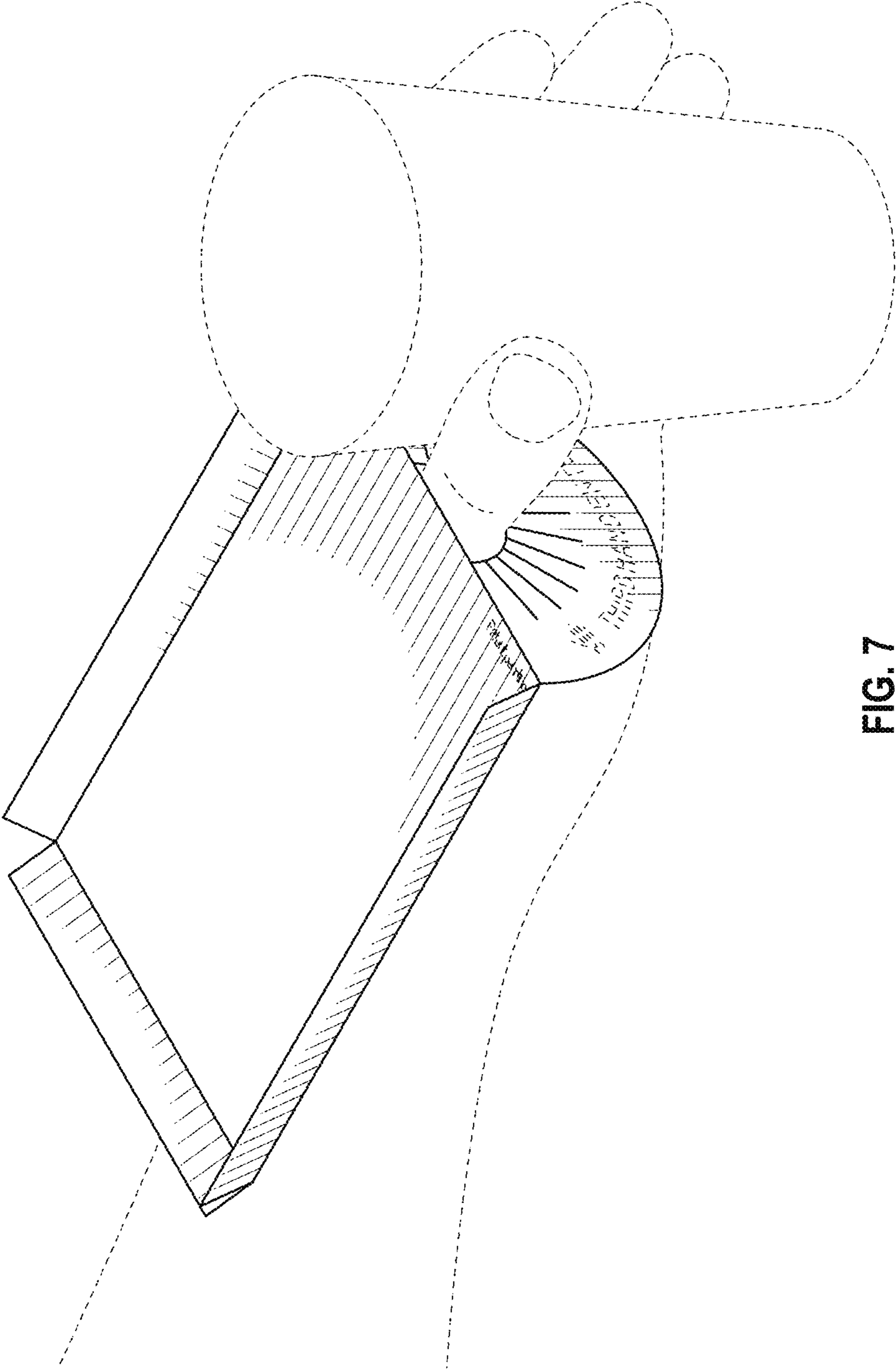


FIG. 7

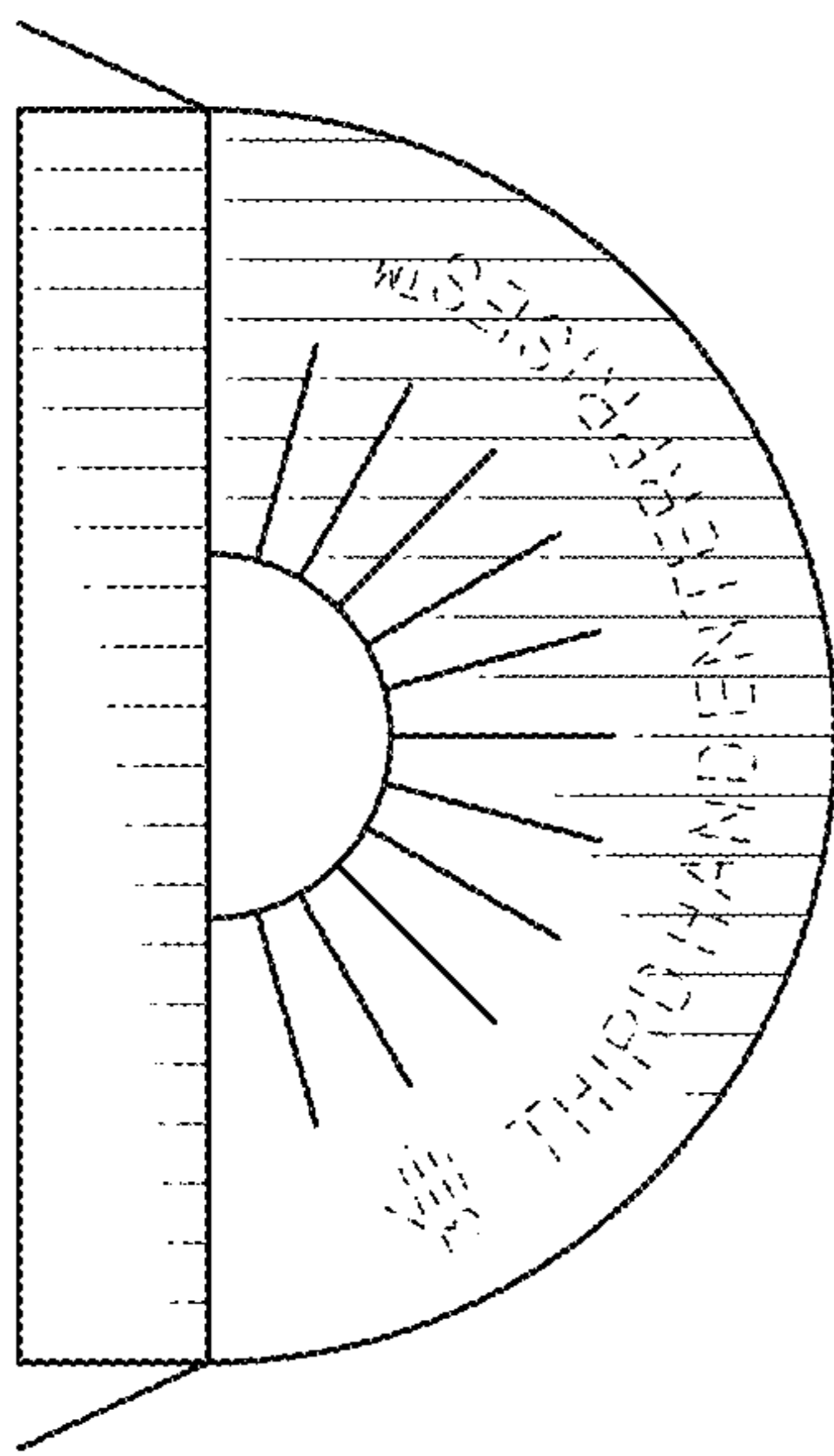


FIG. 8

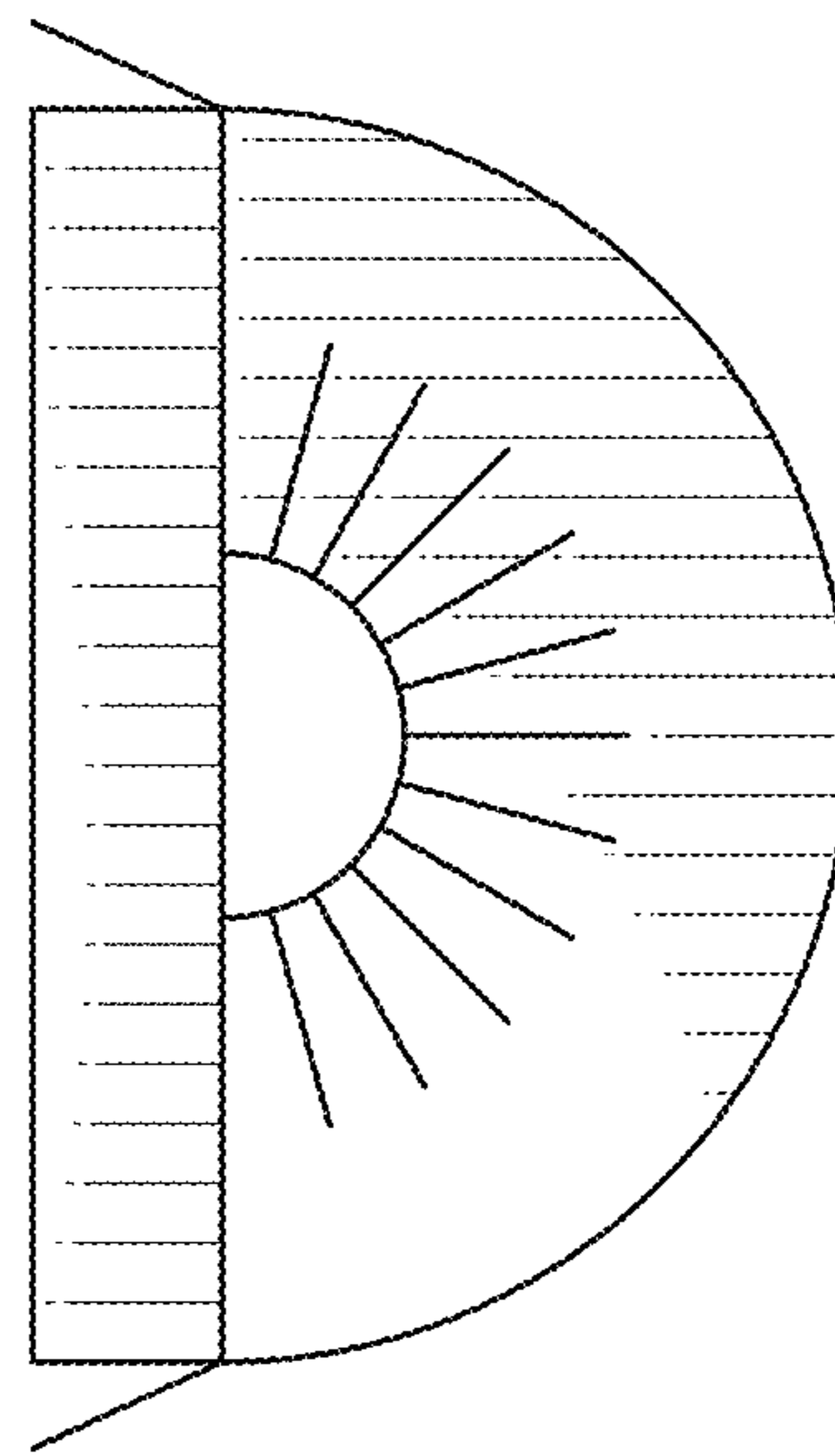


FIG. 10

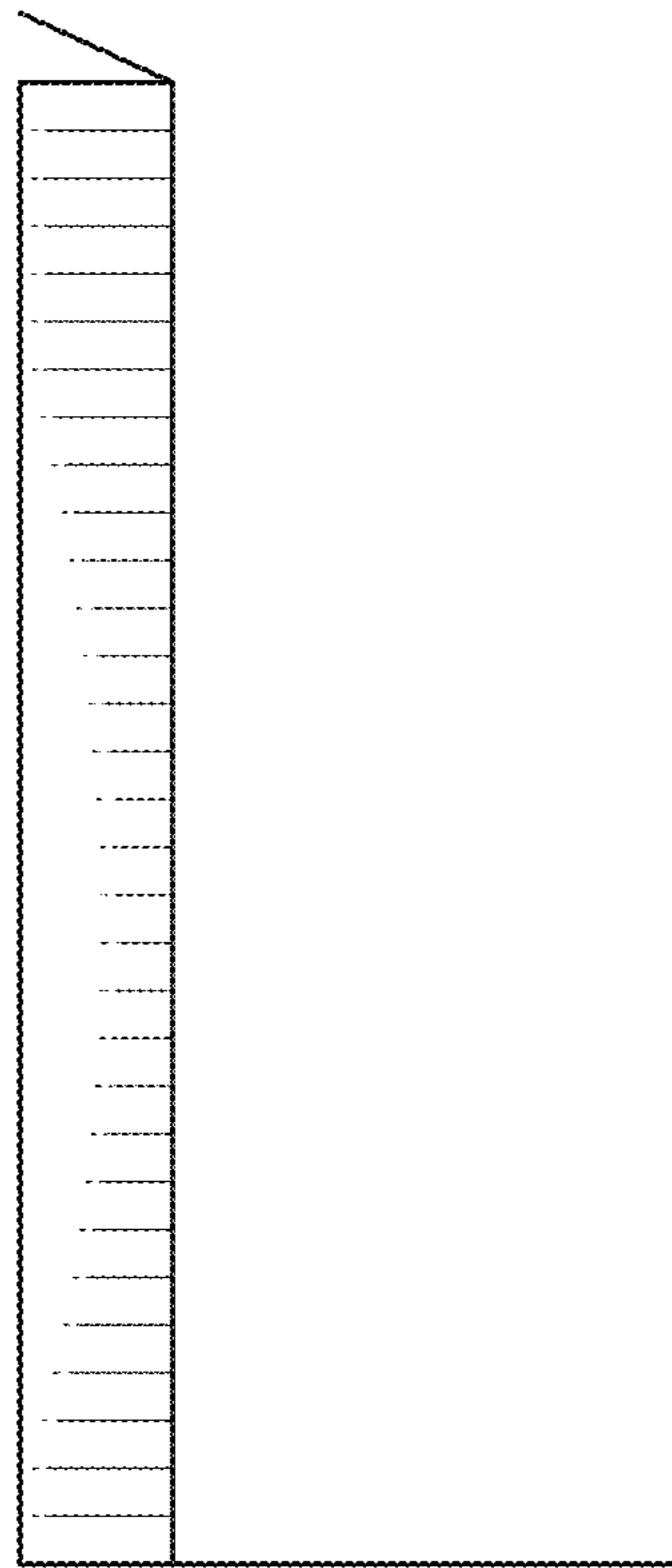


FIG. 9

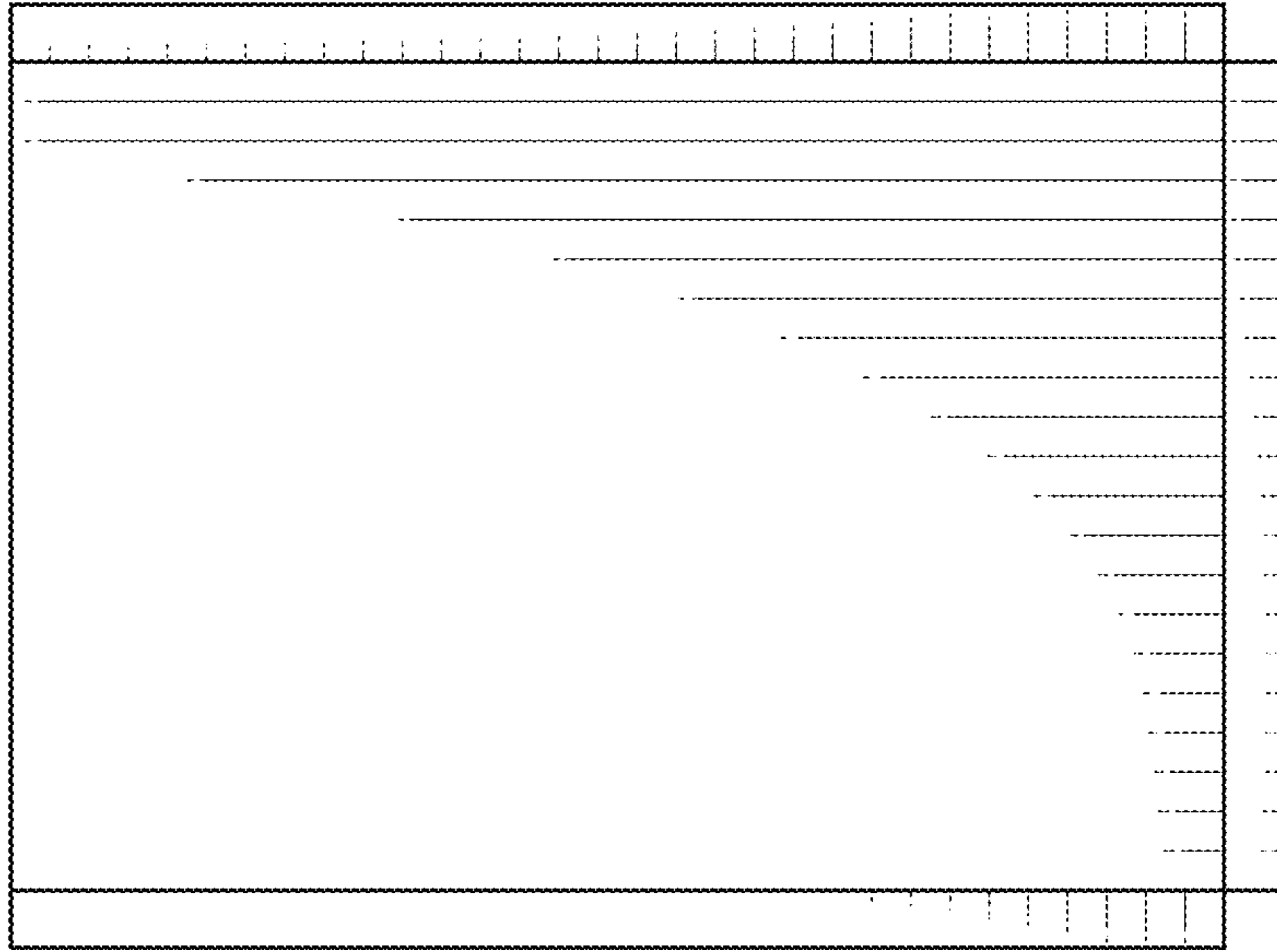


FIG. 12

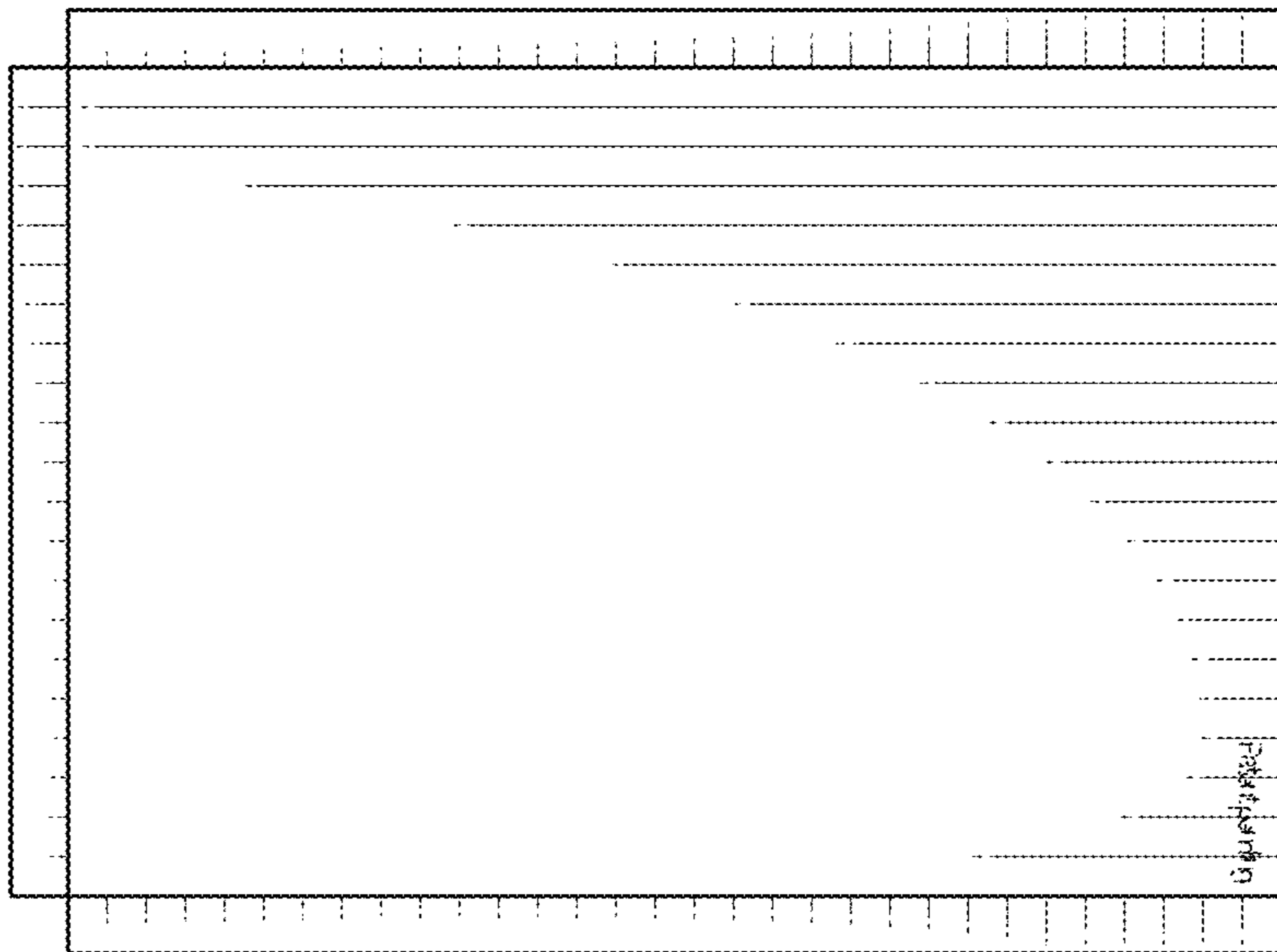


FIG. 11