



US00D817101S

(12) **United States Design Patent**
Kestenbaum et al.

(10) **Patent No.:** **US D817,101 S**

(45) **Date of Patent:** **** May 8, 2018**

(54) **CONTAINER**

(71) Applicant: **SharkNinja Operating LLC**, Newton, MA (US)

(72) Inventors: **Daniel Kestenbaum**, Brookline, MA (US); **Devin Coakley**, Bellingham, MA (US)

(73) Assignee: **SHARKNINJA OPERATING LLC**, Newton, MA (US)

(**) Term: **15 Years**

(21) Appl. No.: **29/532,027**

(22) Filed: **Jul. 1, 2015**

(51) **LOC (11) Cl.** **07-99**

(52) **U.S. Cl.**
USPC **D7/536**

(58) **Field of Classification Search**

USPC D7/536, 509, 533, 537, 300.1, 548, 600, D7/602, 376, 381, 622; D9/716, 531

CPC B65D 85/8043; B65D 25/28; B65D 1/00; B65D 1/265; B67D 1/0801; A47G 19/2288; A47G 19/2272; A47G 19/2266; A47G 19/22; A47G 19/2205; A47G 19/2227

See application file for complete search history.

(56) **References Cited**

U.S. PATENT DOCUMENTS

- 3,135,118 A * 6/1964 Zlobin A47G 19/2227
116/137 R
- D356,234 S * 3/1995 Wolfenden D7/531
- D552,932 S * 10/2007 Carlson D7/509
- D553,442 S * 10/2007 Bodum D7/509
- D568,103 S * 5/2008 Bodum D7/509
- D575,987 S * 9/2008 Williams D7/509
- D623,897 S * 9/2010 Ross D7/507
- D675,875 S * 2/2013 Miller D7/523
- D703,490 S * 4/2014 Maire D7/536
- D707,373 S * 6/2014 Nugent D26/22

- D713,201 S * 9/2014 Rees D7/509
- D744,287 S * 12/2015 Bodum D7/523
- D747,626 S * 1/2016 Morris, II D7/533
- D748,944 S * 2/2016 Ross D7/536
- D756,709 S * 5/2016 Weitman D7/509

(Continued)

FOREIGN PATENT DOCUMENTS

- EM 001560277001 7/2009
- JP D1348258 S 1/2009
- JP D1561129 * 1/2016

(Continued)

OTHER PUBLICATIONS

Ninja Glass Mug, Ninja 12 oz. Insulated Mug (CF12MUG), posted at Amazon.com, posted on Aug. 17, 2015, site visited Nov. 2, 2016, <<https://www.amazon.com/Ninja-oz-Insulated-Mug-CF12MUG/dp/B0152VPBN2>>.*

(Continued)

Primary Examiner — Barbara Fox

Assistant Examiner — Messina L Smith

(74) *Attorney, Agent, or Firm* — Cantor Colburn LLP

(57) **CLAIM**

The ornamental design for a container, as shown and described.

DESCRIPTION

FIG. 1 is a perspective view of a container showing our new design;

FIG. 2 is a front elevational view thereof;

FIG. 3 is a rear elevational view thereof;

FIG. 4 is a left side elevational view thereof;

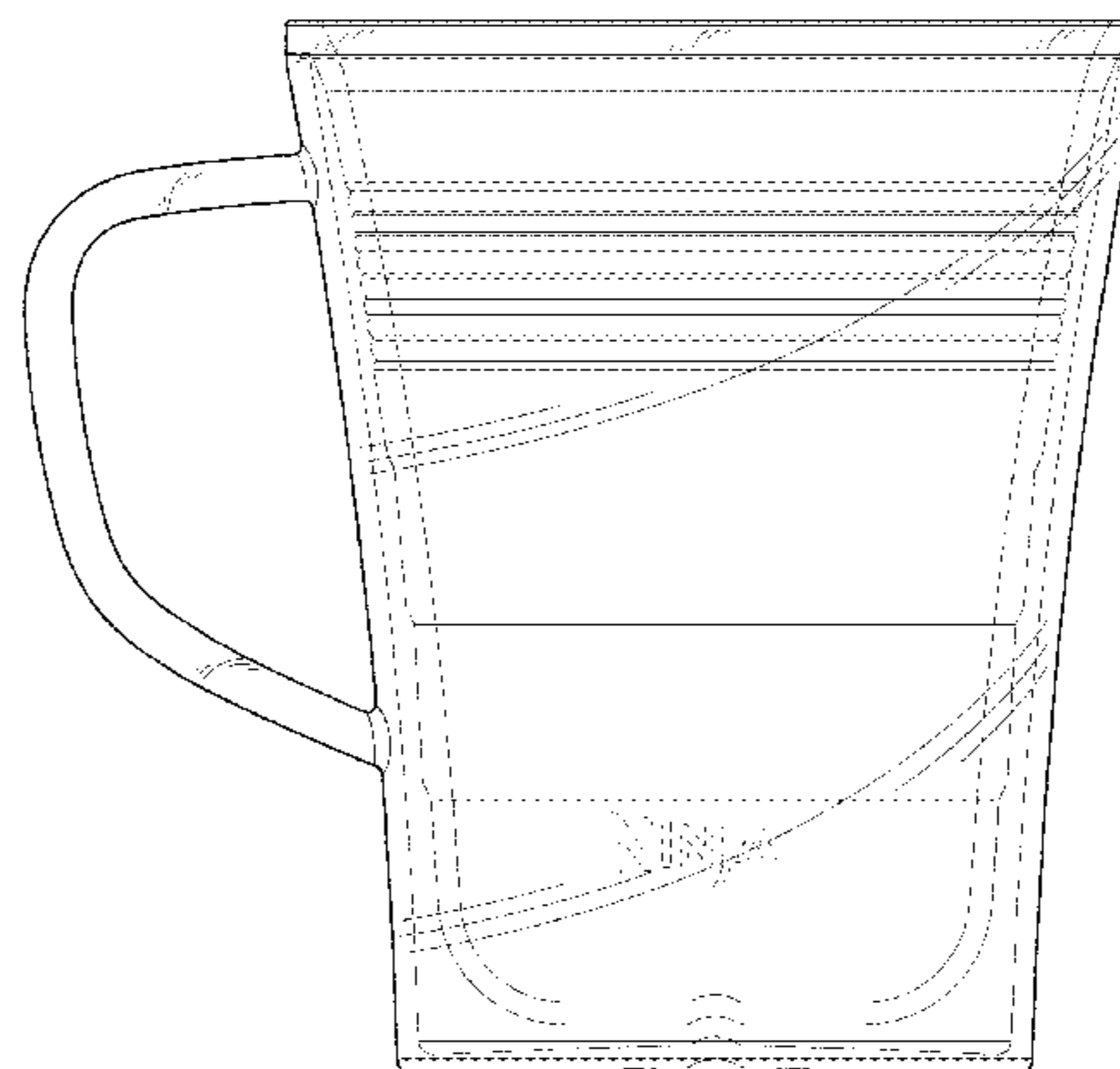
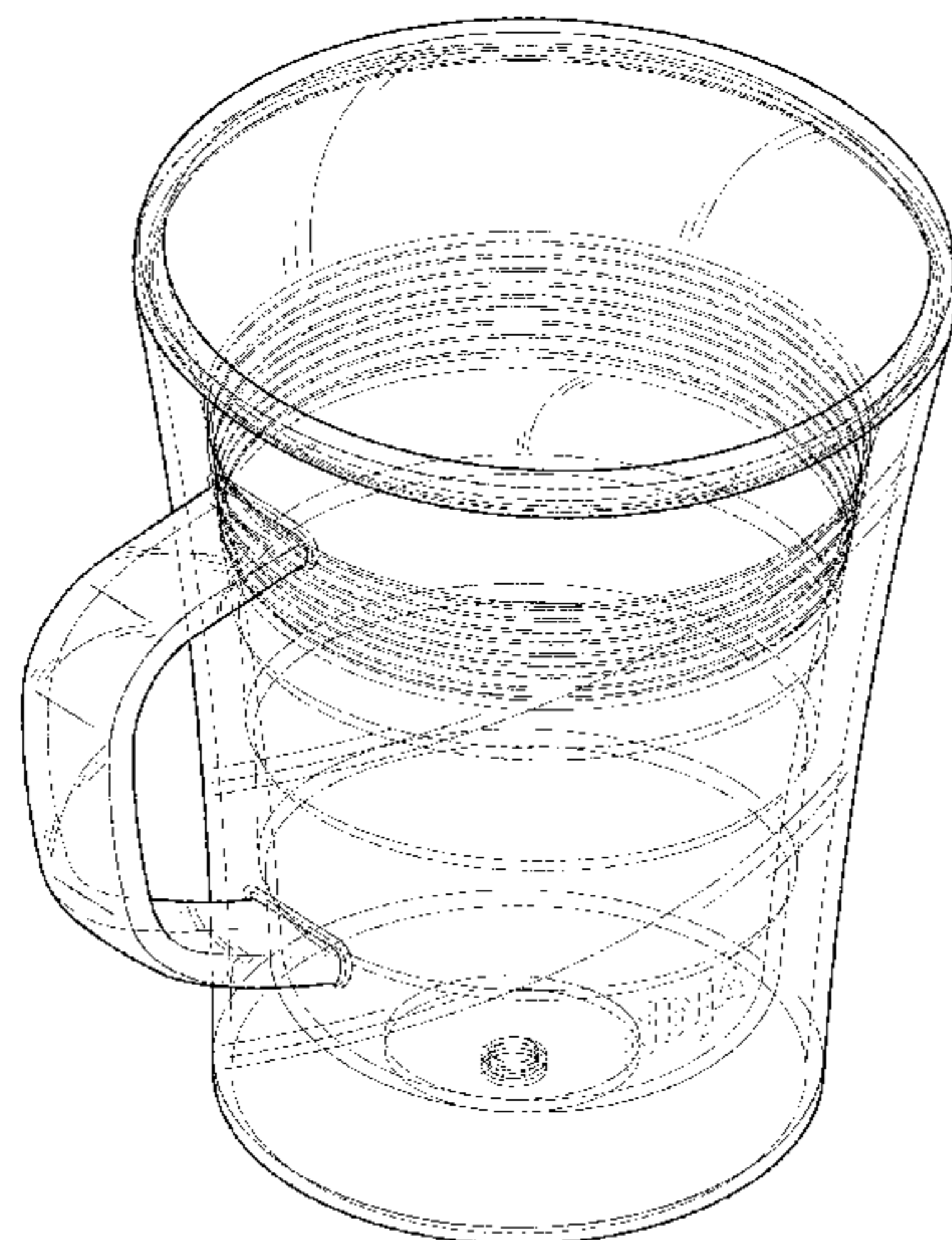
FIG. 5 is a right side elevational view thereof;

FIG. 6 is a top plan view thereof; and,

FIG. 7 is a bottom plan view thereof.

The broken lines in the drawings depict portions of the container that form no part of the claimed design.

1 Claim, 7 Drawing Sheets



(56)

References Cited

U.S. PATENT DOCUMENTS

2008/0011710 A1* 1/2008 Cohn B65D 41/26
215/329

FOREIGN PATENT DOCUMENTS

JP D1561131 * 1/2016
JP D1561224 * 1/2016

OTHER PUBLICATIONS

Ninja Glass Mug, Ninja© 12 oz. Insulated Mug, posted at Ninjakitchen.com, no posting date given, © 2016, site visited Nov. 2, 2016, <<http://www.ninjakitchen.com/parts/0/all/289/ninja-12-oz-insulated-mug/>>.*

Ninja Glass Mug, Ninja—12-Oz. Mug—Clear, posted at Ebay.com, posted on Aug. 20, 2016, site visited Nov. 2, 2016, <http://www.ebay.com/itm/Ninja-12-Oz-Mug-Clear-/322234886149?_trksid=p2141725.m3641.16368>.*

Glass Mug, Vista Glass Mug 11 oz, posted at Martiniincentives.com, posted on Aug. 6, 2013, site visited Nov. 2, 2016, <<http://martiniincentives.com/vista-glass-mug-11-oz/>>.*

Insulated Glass Mug, Bodum Bistro Double-Wall Insulated Glass Coffee Mugs, posted at Singleservecoffee.com, posted on Dec. 26, 2007, <<http://www.singleservecoffee.com/archives/015611.php>>.*

Insulated Glass Mug, Double walled insulated glasses, posted at Goodlifetea.com, no posting date given, © 2016, site visited Nov. 2, 2016, <<https://www.goodlifetea.com/collections/glass-tea-ware/products/double-walled-insulated-tea-cup-5-and-10-ounces>>.*

3M Innovative Properties Company; JPO Publicly Known Design No. HJ26044095; Disclosed in JP Design Application No. 2016-000027 Notice of References dated Aug. 19, 2016; 2 Pages.

amazon.com—Trudeau Tea Mendous Tea Tumbler, Clear, 16-Ounce; JPO Publicly Known Design No. HJ24053267; Disclosed in JP Design Application No. 2016-000029 Notification of Reasons for Rejection dated Oct. 14, 2016; 6 Pages.

First Office Action; Chinese Application No. 201530550407.7; dated May 11, 2016; 3 Pages.

Kawajun Co., Ltd.—Nucri Heat Resistant Mug Cup and Caucer; JPO Publicly Known Design No. HJ22020653; Disclosed in JP Design Application No. 2016-000026 Notification of Reasons for Rejection dated Oct. 14, 2016; 3 Pages.

K'S Factory Mugs—Helping to Make Shop Goods, Novelty, and Sales Promotion Tools; JPO Publicly Known Design No. HC15045357; Disclosed in JP Design Application No. 2016-000026 Notification of Reasons for Rejection dated Oct. 14, 2016; 5 Pages.

Notice of Allowance; Japanese Application No. 2016-000027; dated Aug. 19, 2016; 2 Pages.

Notice of Allowance; Japanese Application No. 2016-000031; dated Aug. 19, 2016; 2 Pages.

Notice of Allowance; Japanese Application No. 2016-000032; dated Aug. 19, 2016; 2 Pages.

Notice of Completion of Formalities for Patent Register and Notice of Grant of Design Patent Right; Chinese Application No. 201530550407.7; dated Jul. 11, 2016; 6 Pages.

Notice of Decision for Design Registration; Korean Application No. 30-2015-0066727; dated Jun. 3, 2016; 3 Pages.

Notice of References; Japanese Application No. 2016-000027; dated Aug. 19, 2016; 4 Pages.

Notice of References; Japanese Application No. 2016-000031; dated Aug. 19, 2016; 4 Pages.

Notification of Reasons for Rejection; Japanese Application No. 2016-000026; dated Oct. 14, 2016; 7 Pages.

Notification of Reasons for Rejection; Japanese Application No. 2016-000029; dated Oct. 14, 2016; 4 Pages.

Office Action; Korean Application No. 30-2015-0066721; dated Apr. 28, 2016; 4 Pages.

Office Action; Korean Application No. 30-2015-0066722; dated Apr. 29, 2016; 4 Pages.

Office Action; Korean Application No. 30-2015-0066725; dated Apr. 27, 2016; 4 Pages.

Office Action; Korean Application No. 30-2015-0066726; dated Apr. 29, 2016; 4 Pages.

Office Action; Korean Application No. 30-2015-0066727; dated Apr. 22, 2016; 4 Pages.

* cited by examiner

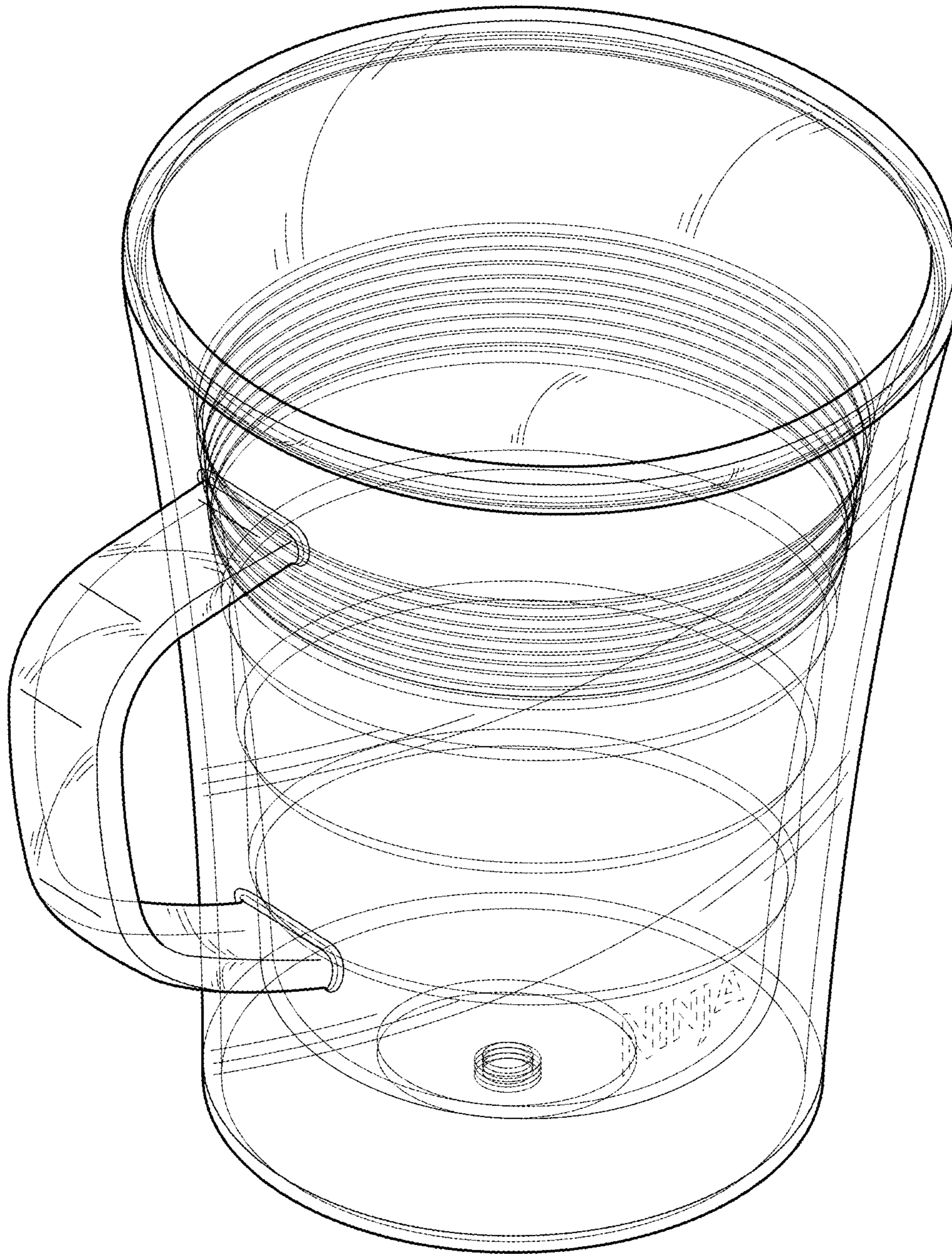


FIG. 1

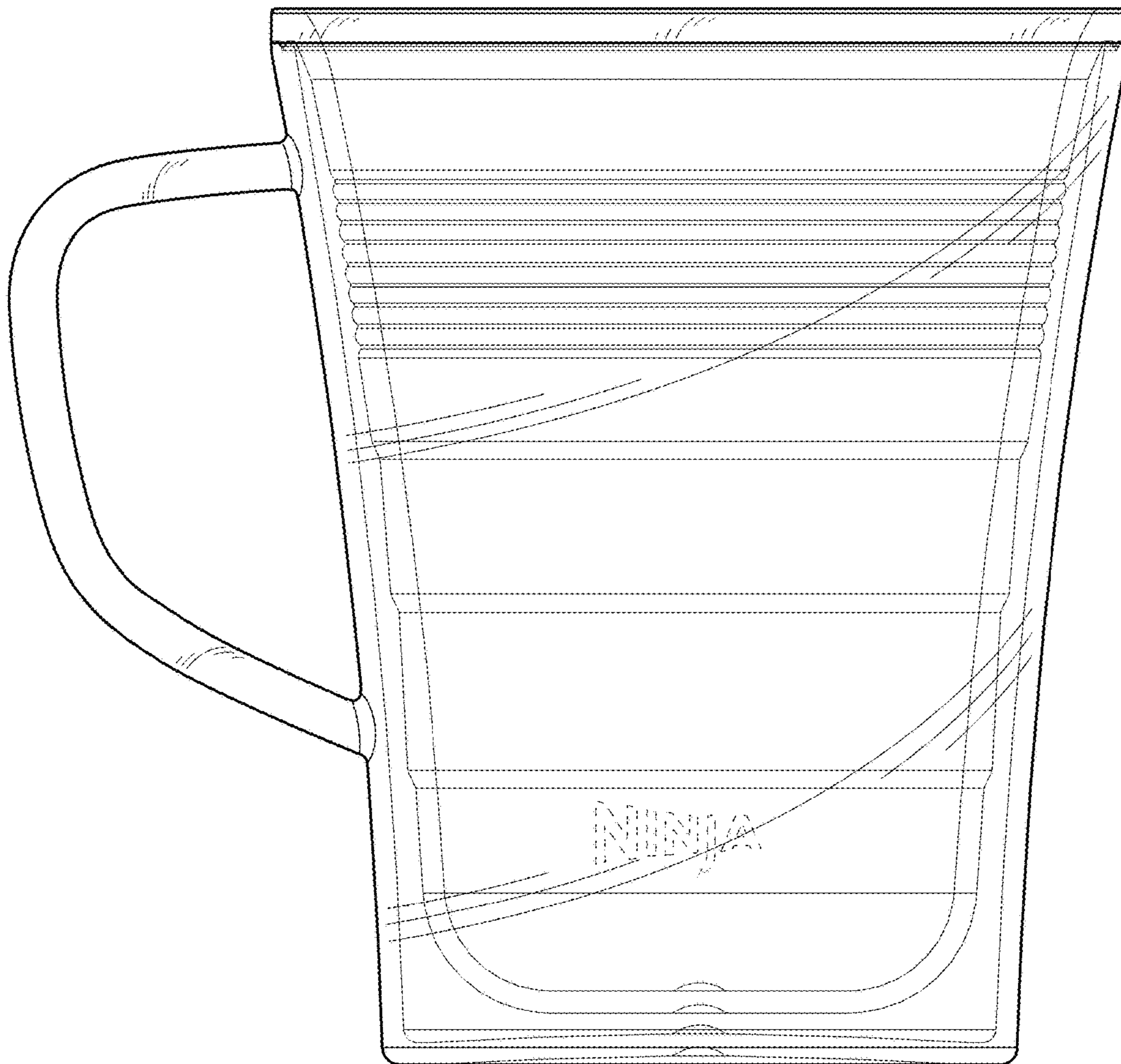


FIG. 2

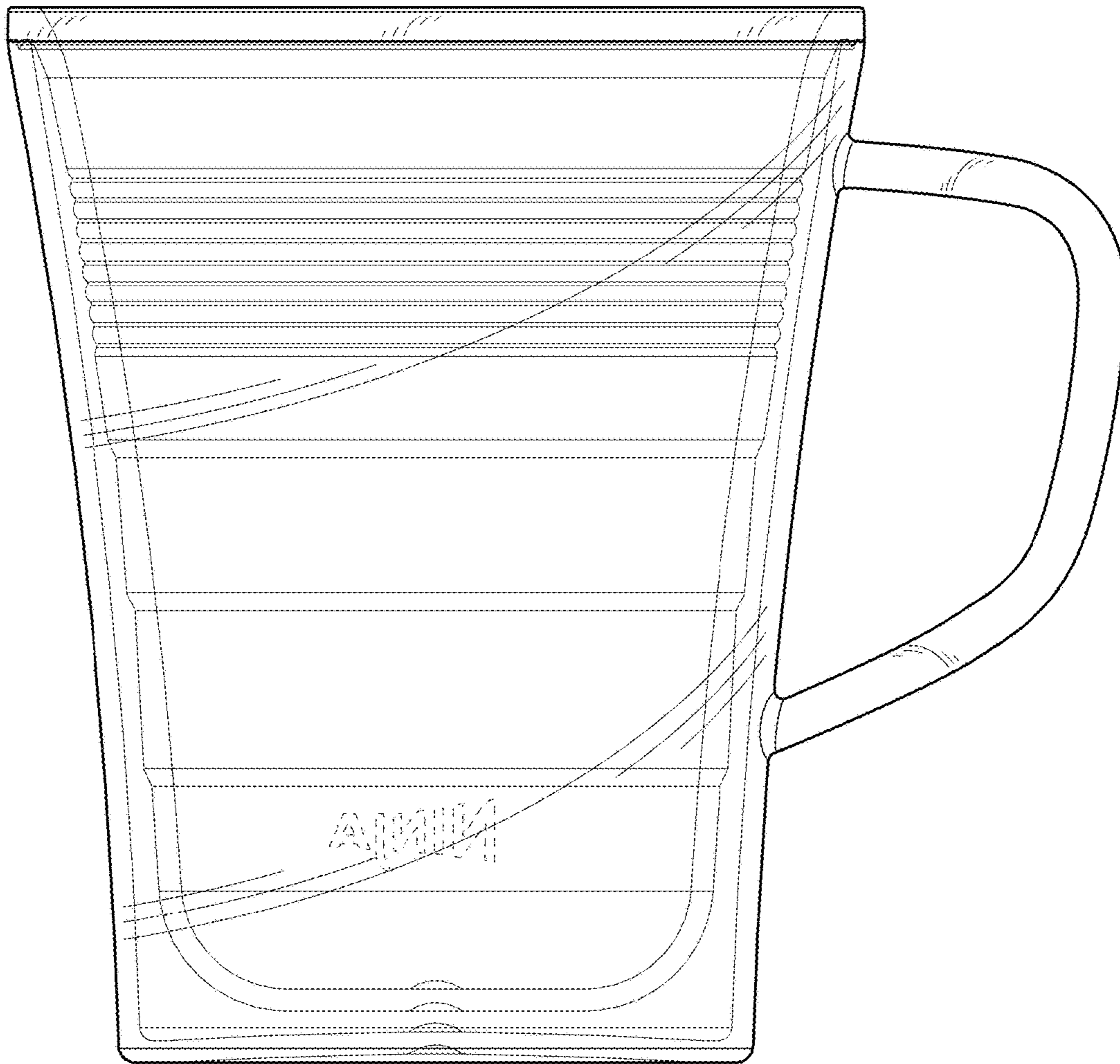


FIG. 3

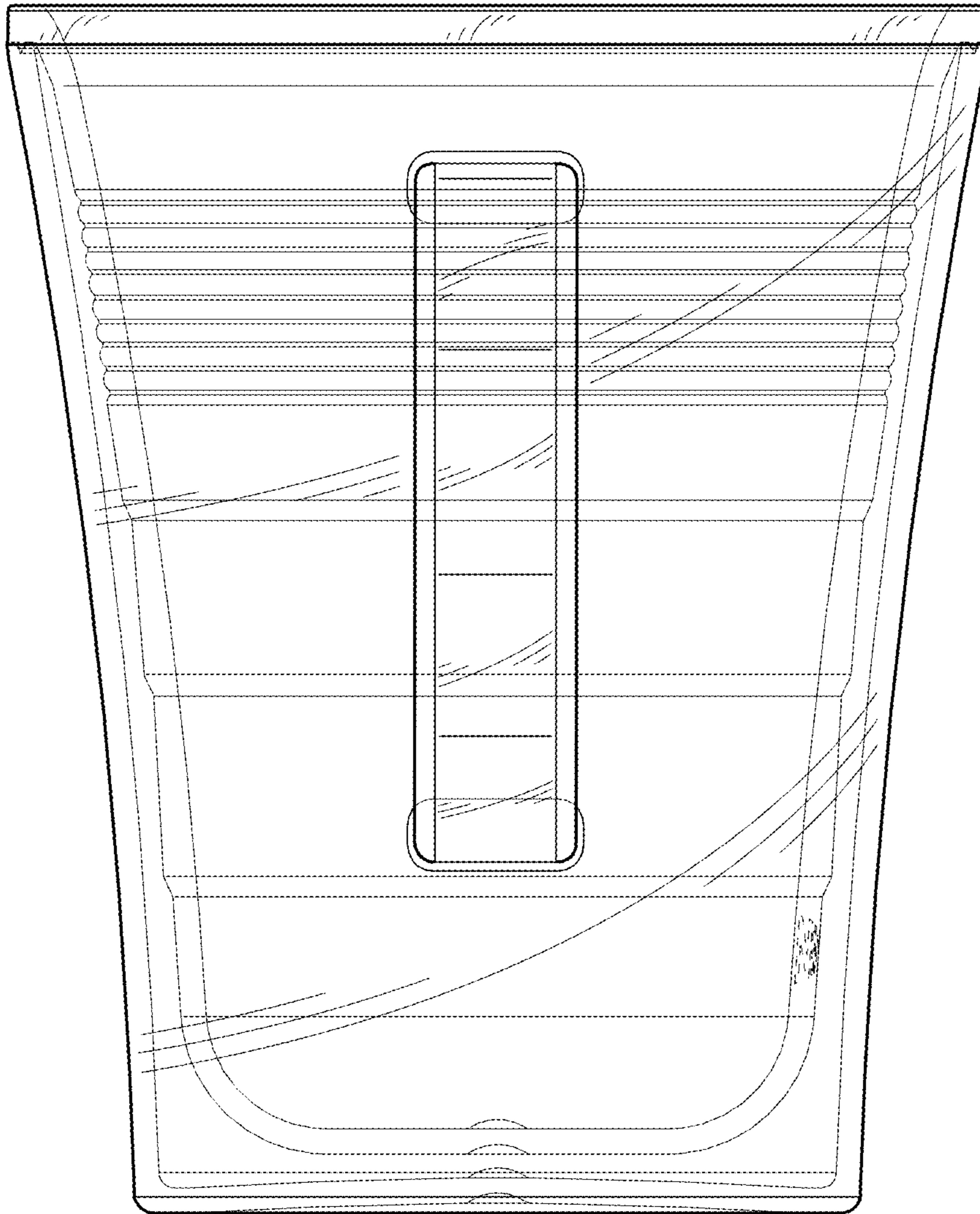


FIG. 4

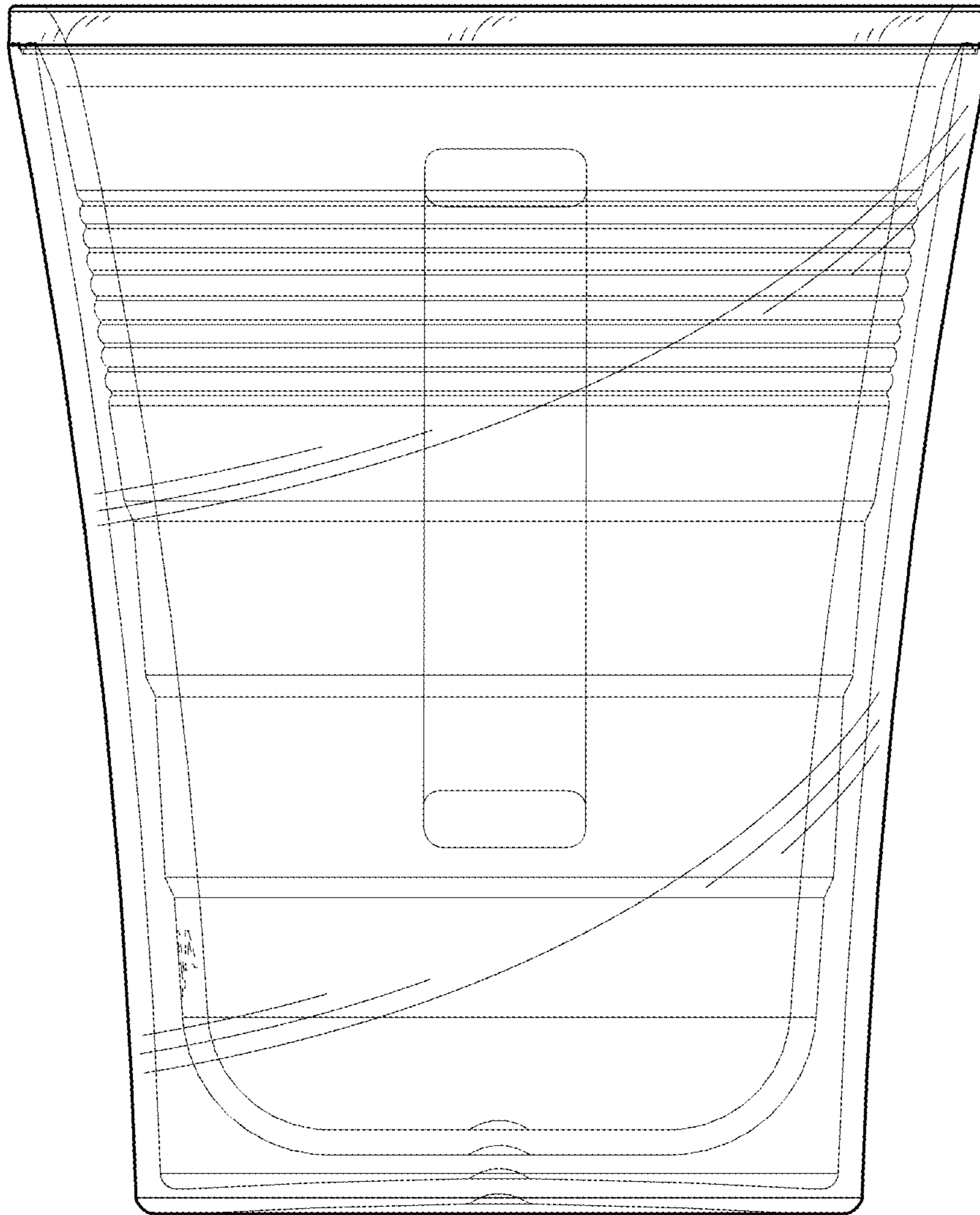


FIG. 5

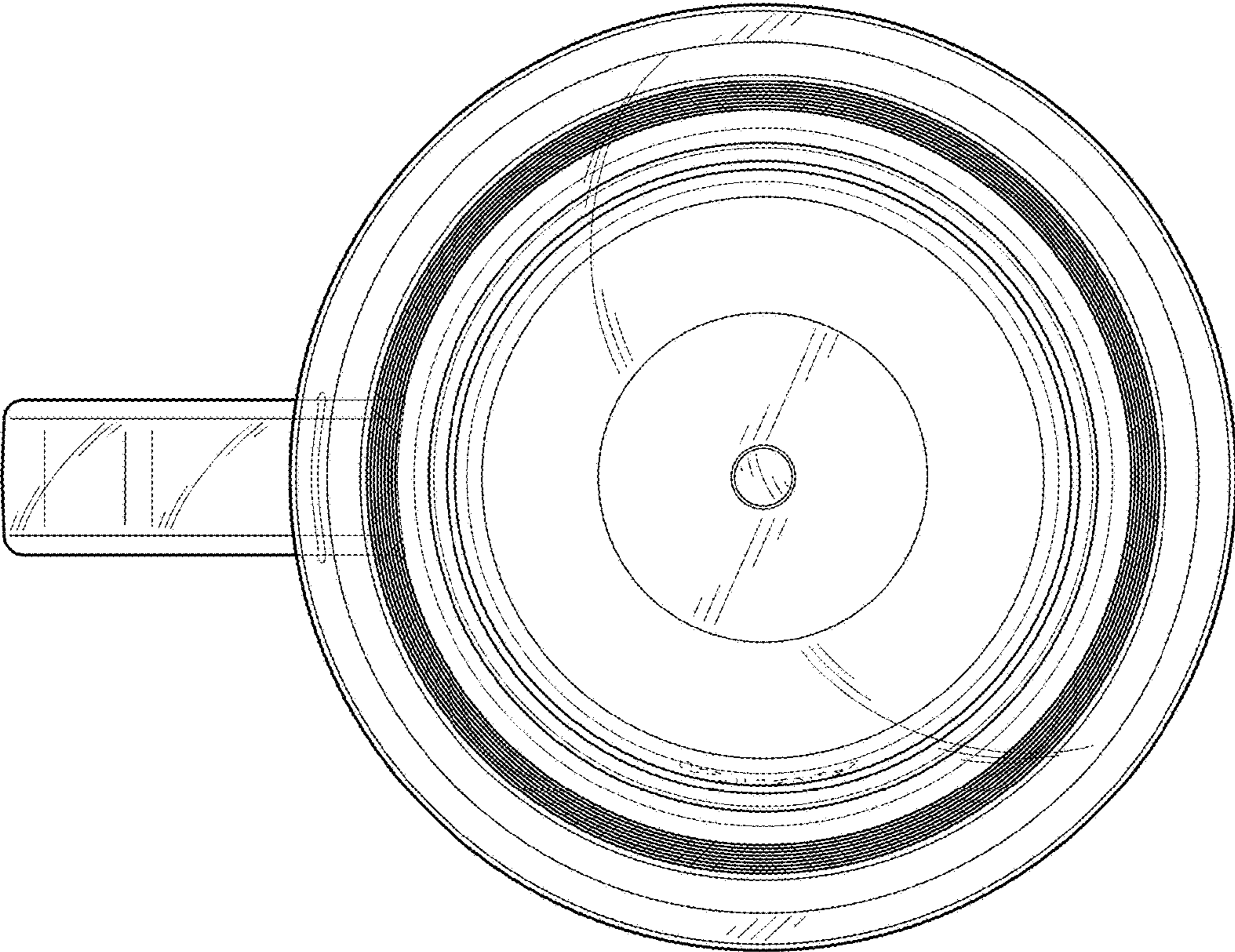


FIG. 6

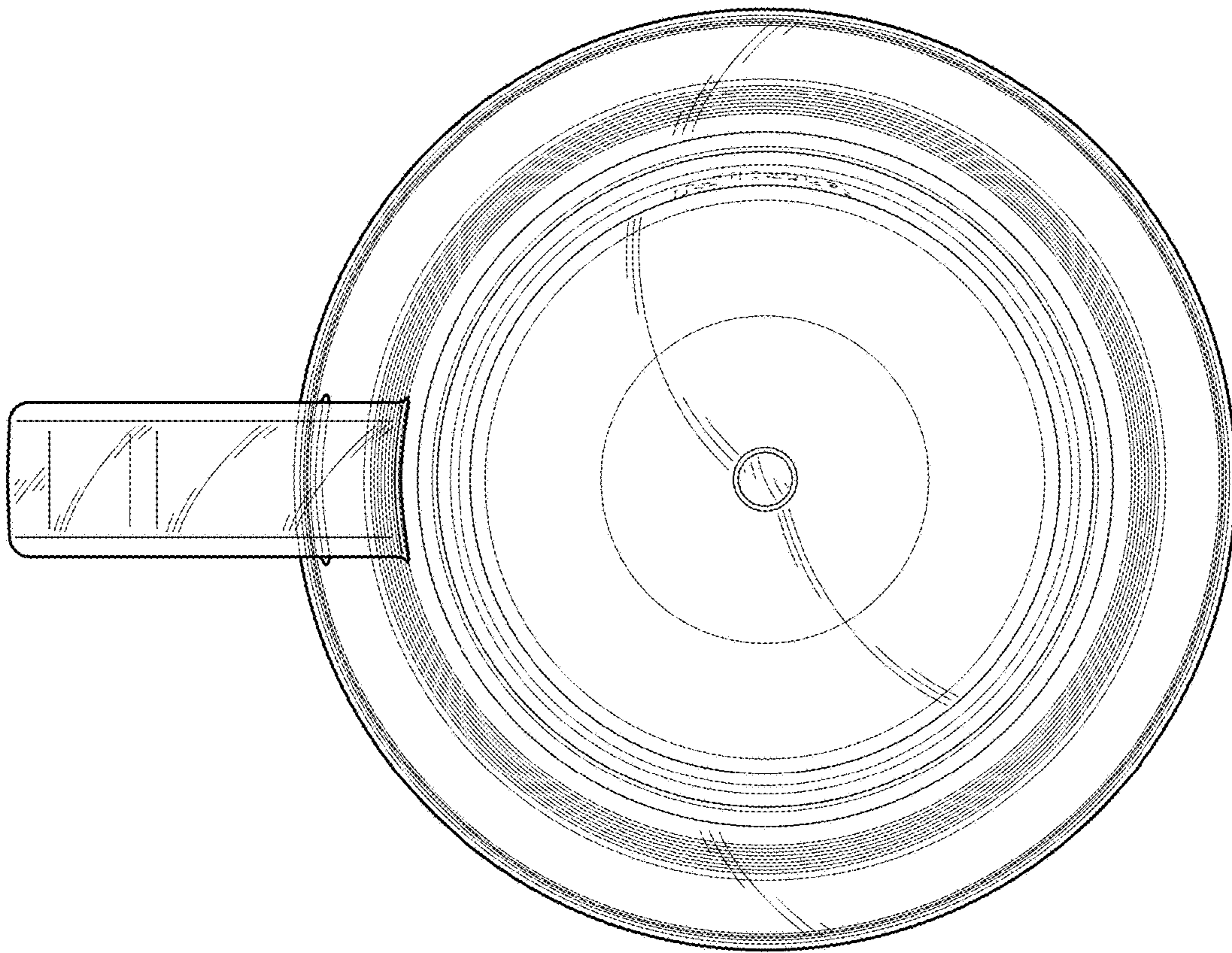


FIG. 7