



US00D817099S

(12) **United States Design Patent** (10) **Patent No.:** **US D817,099 S**
Bo (45) **Date of Patent:** **** May 8, 2018**

(54) **GEOMETRIC DOUBLE WALL VACUUM TUMBLER**

(71) Applicant: **Anhui Inno-Sign International Co., Ltd.**, Hefei (CN)

(72) Inventor: **Jin Bo**, Hefei (CN)

(73) Assignee: **Anhui-Inno Sign Int'l Co. Ltd.**, Hefei (CN)

(**) Term: **15 Years**

(21) Appl. No.: **29/591,024**

(22) Filed: **Jan. 16, 2017**

(51) **LOC (11) Cl.** **07-01**

(52) **U.S. Cl.**
USPC **D7/523; D7/530**

(58) **Field of Classification Search**
USPC D7/509, 510, 511, 523, 532, 534, 536, D7/300.1, 533, 394, 395, 531, 608, 529, D7/513, 507; D24/197; 220/592.16, 220/592.17, 704, 705, 706, 707; D9/435, D9/447

CPC A47G 19/22; A47G 19/2205; A47G 19/2211; A47G 19/2266; A47G 19/2288; B65D 47/066; B65D 43/02; B65D 43/04; A47J 43/27; A47J 41/02

See application file for complete search history.

(56) **References Cited**

U.S. PATENT DOCUMENTS

D372,167 S * 7/1996 Ahern, Jr. D7/523
D383,038 S * 9/1997 Willbrandt D7/523

D436,499 S * 1/2001 Pritchard D7/523
D449,963 S * 11/2001 Neal D7/514
D489,940 S * 5/2004 Gluck D7/509
D554,434 S * 11/2007 Morrison D7/509
D584,568 S * 1/2009 Gibbs D7/509
D701,427 S * 3/2014 Edmund D7/523
D721,006 S * 1/2015 Tsai D11/143
D750,438 S * 3/2016 Passot D7/523
D795,649 S * 8/2017 Ke D7/509
D796,264 S * 9/2017 Bo D7/523
D805,353 S * 12/2017 Wong D7/523
D808,727 S * 1/2018 Bo D7/532

* cited by examiner

Primary Examiner — Marianne Pandozzi

Assistant Examiner — Jae Liang

(74) *Attorney, Agent, or Firm* — Richards Patent Law P.C.

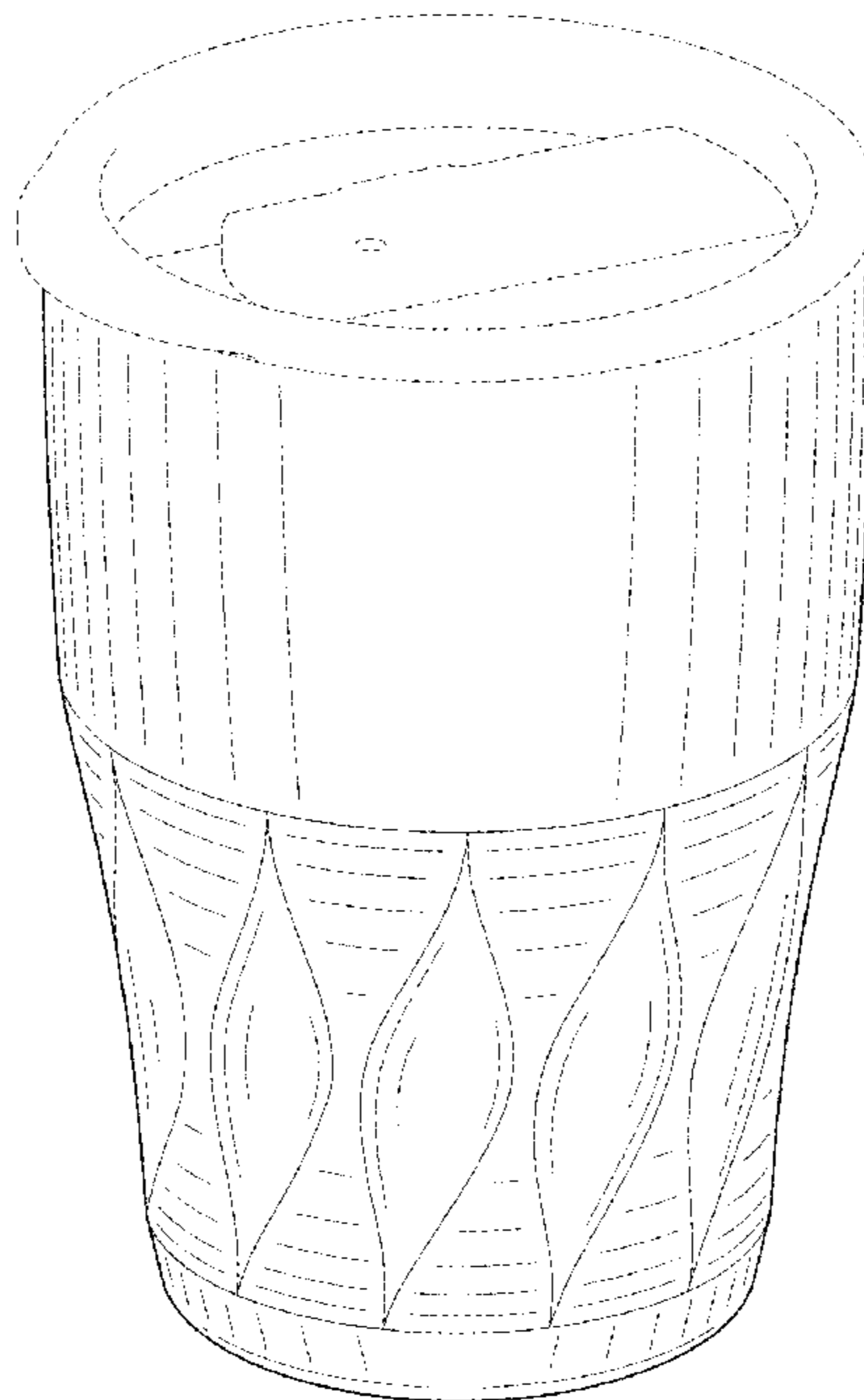
(57) **CLAIM**

The ornamental design for a geometric double wall vacuum tumbler, as shown and described.

DESCRIPTION

FIG. 1 is an isometric view of a geometric double wall vacuum tumbler showing my new design; FIG. 2 is a front elevational view thereof; FIG. 3 is a rear elevational view thereof; FIG. 4 is a left side elevational view thereof; FIG. 5 is a right side elevational view thereof; FIG. 6 is a top plan view thereof; and, FIG. 7 is bottom plan view thereof. The broken lines depict portions of the geometric double wall vacuum tumbler that form no part of the claimed design.

1 Claim, 7 Drawing Sheets



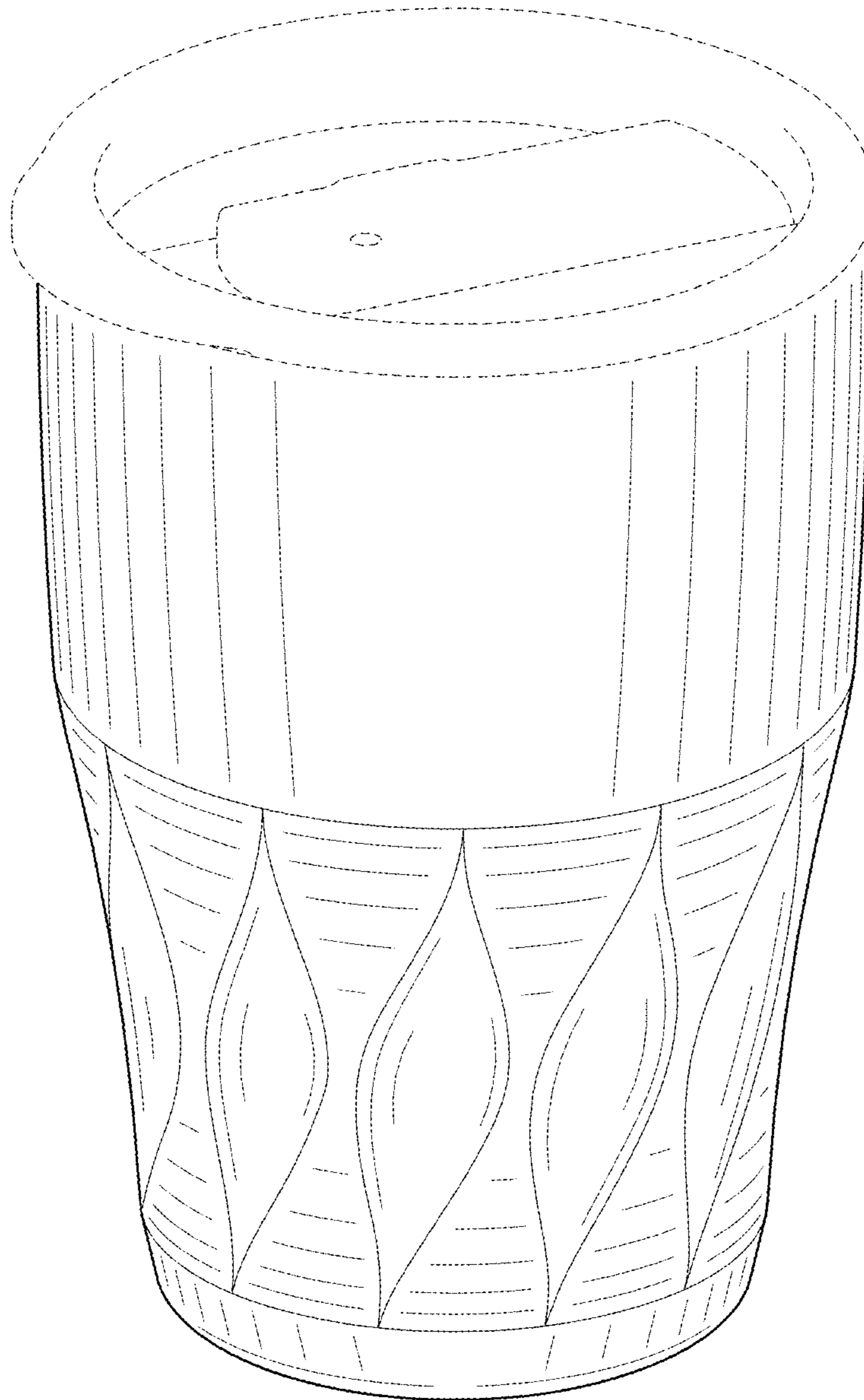


FIG. 1

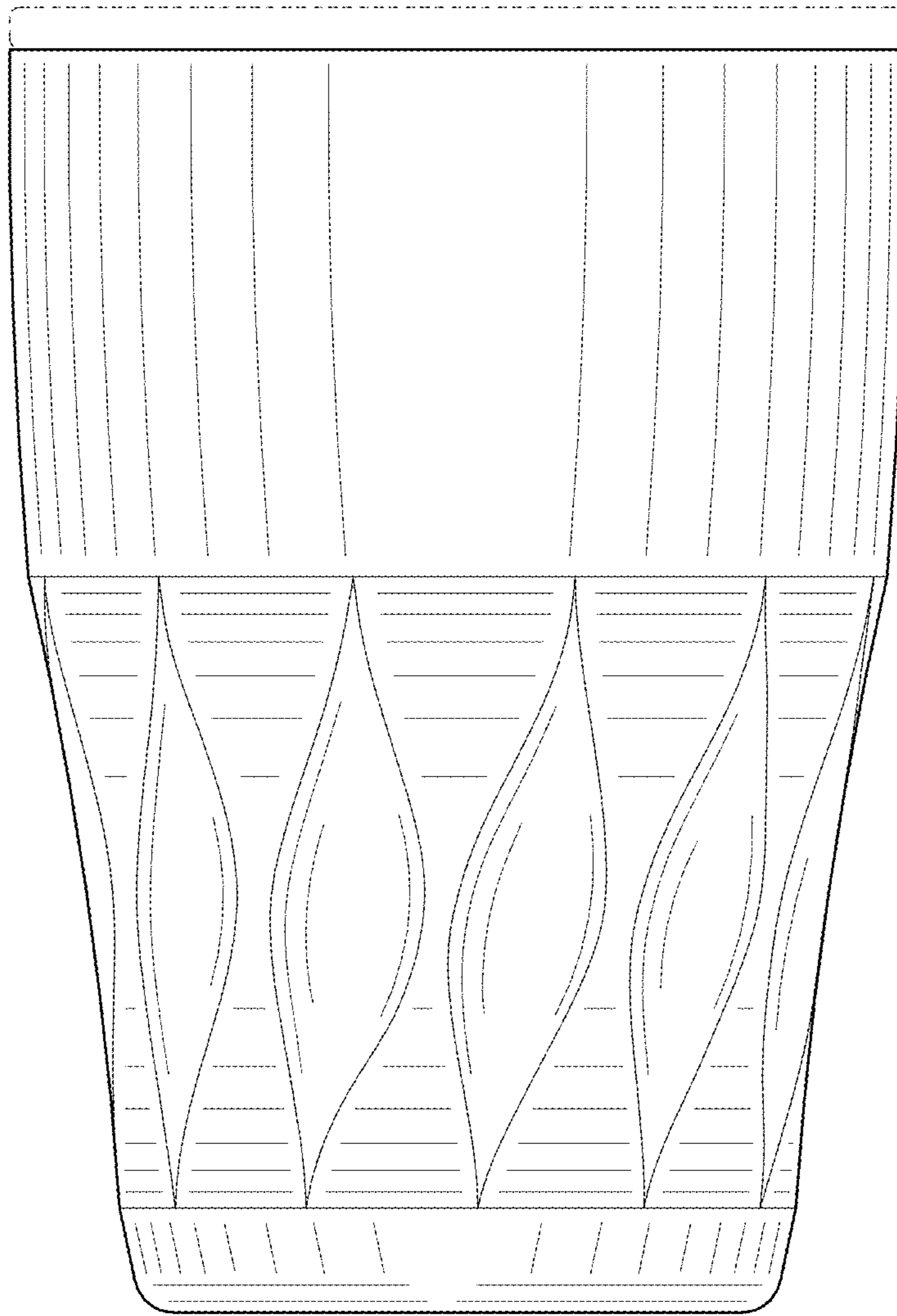


FIG. 2

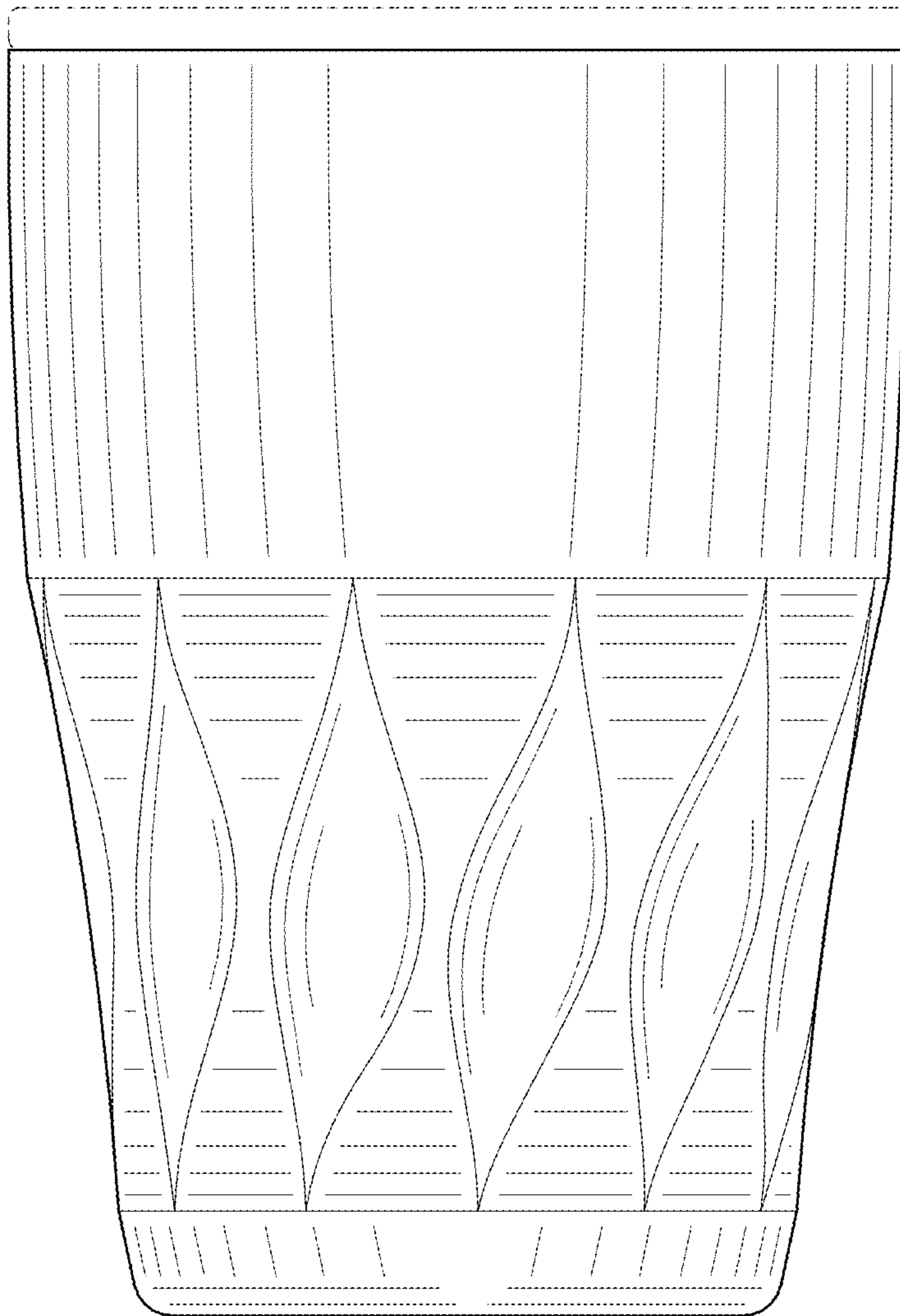


FIG. 3

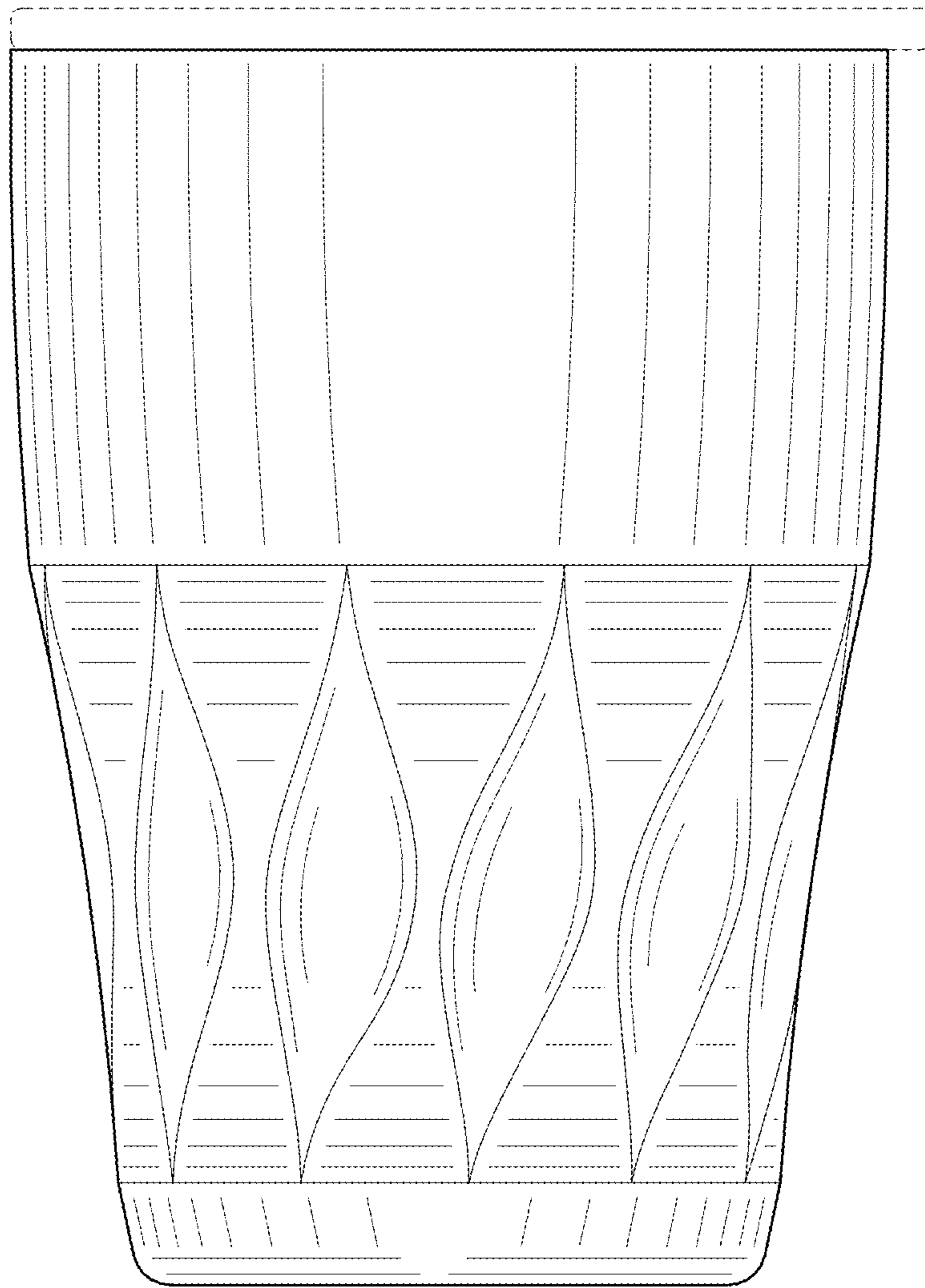


FIG. 4

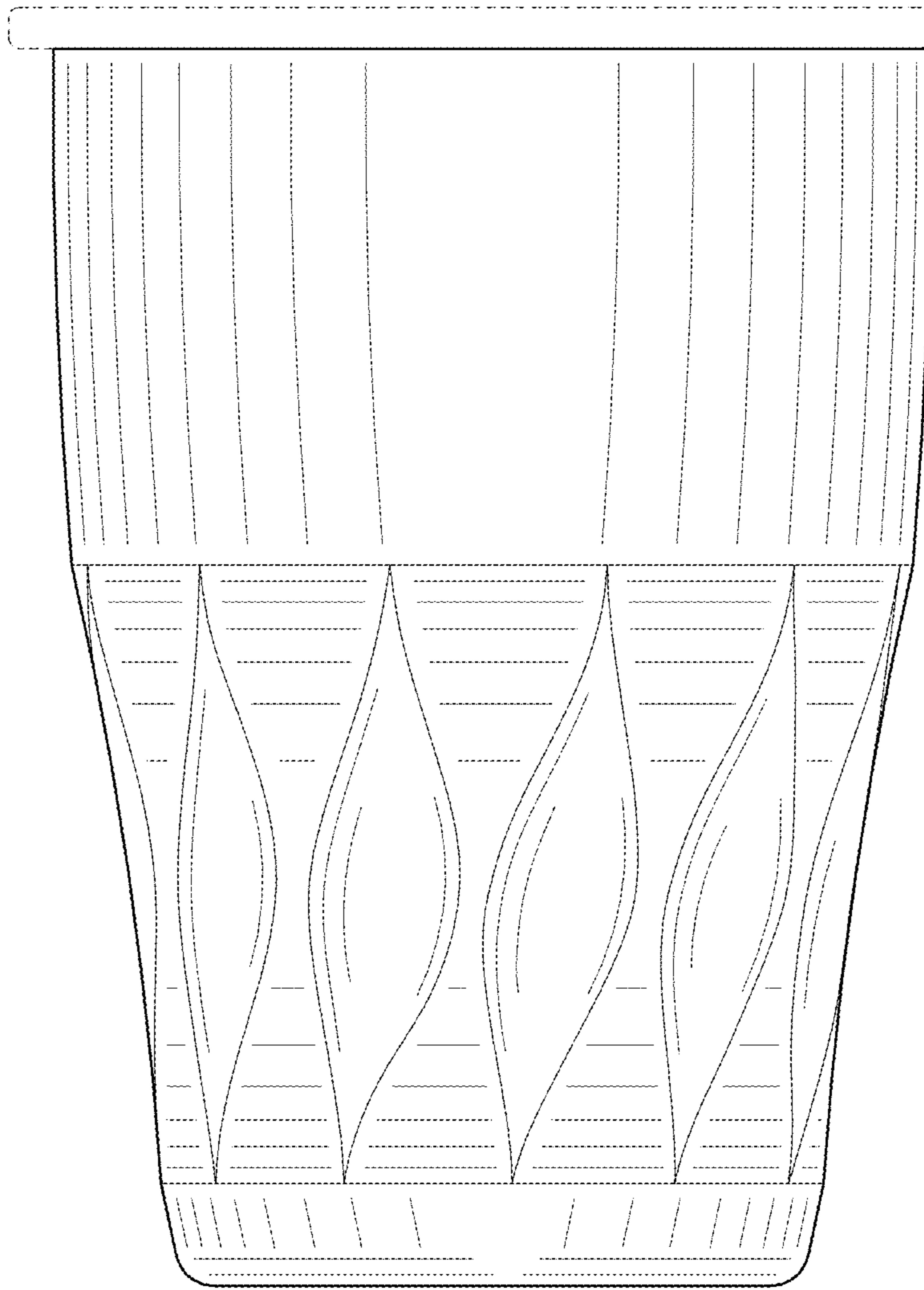


FIG. 5

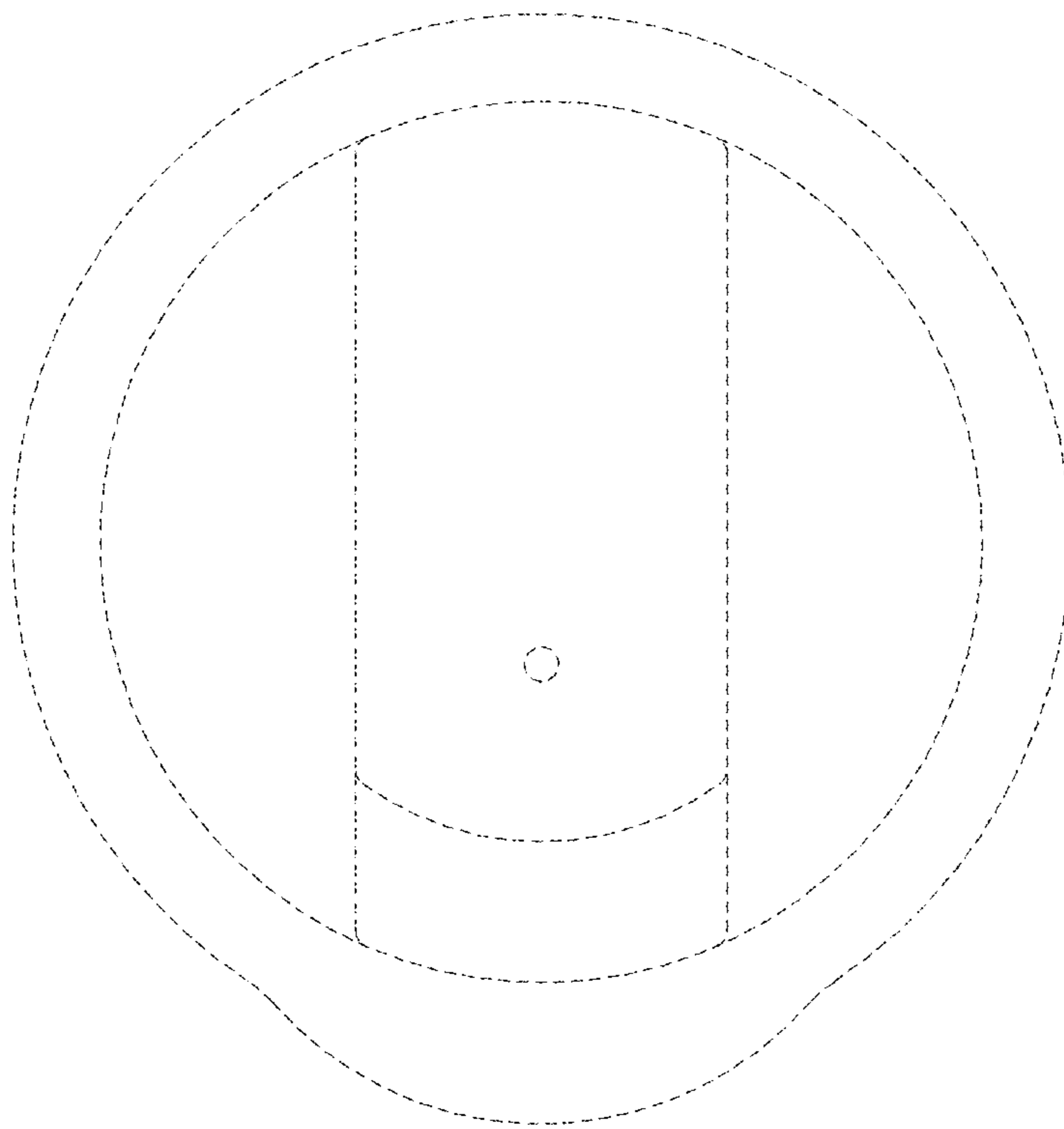


FIG. 6

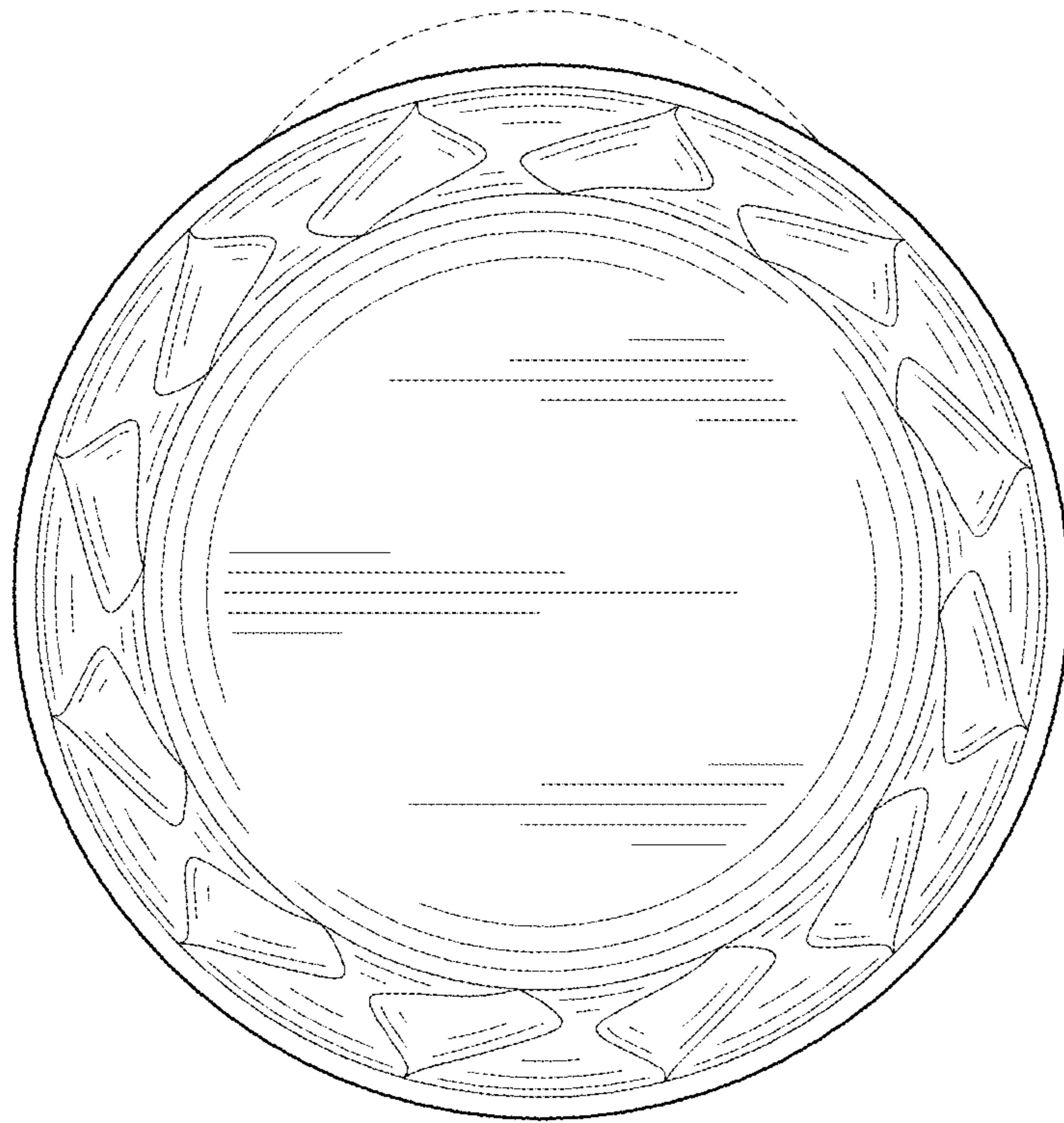


FIG. 7