



US00D817098S

(12) **United States Design Patent**
Arora

(10) **Patent No.:** **US D817,098 S**

(45) **Date of Patent:** **** May 8, 2018**

- (54) **CUP WITH A BOTTOM INSERT**
- (71) Applicant: **Just Funky LLC**, Richfield, OH (US)
- (72) Inventor: **Rajnish Arora**, Wooster, OH (US)
- (73) Assignee: **JUST FUNKY LLC**, Wooster, OH (US)
- (**) Term: **15 Years**
- (21) Appl. No.: **29/565,773**
- (22) Filed: **May 24, 2016**
- (51) **LOC (11) Cl.** **07-01**
- (52) **U.S. Cl.**
USPC **D7/523; D7/509**
- (58) **Field of Classification Search**
USPC D7/507, 509, 523, 524, 525, 526, 527, D7/528, 530, 531, 532, 533, 536, 537, D7/503, 510, 514, 515, 512, 608; 220/592.16, 502.17, 495.03, 740, 620, 220/619, 62.12; D3/202; D30/130, 121; 206/307, 217, 509; D9/424, 651
CPC A47G 19/22; A47G 19/2205; A47G 19/2227; A47G 23/0233; A45F 3/20; B65D 1/265
See application file for complete search history.

- (56) **References Cited**
U.S. PATENT DOCUMENTS
723,796 A * 3/1903 Perry B65D 81/3869 220/568
1,879,820 A * 9/1932 Perry A47G 19/2205 215/371
2,062,897 A * 12/1936 Michel B65D 85/816 206/217
2,779,472 A * 1/1957 Febbraro B65D 1/04 210/514
2,945,361 A * 7/1960 Miller F25C 1/22 220/592.17

- 3,847,324 A * 11/1974 Uchanski A47G 19/03 206/813
- 4,125,218 A * 11/1978 DeBoer A47G 19/2227 181/177
- 4,765,465 A * 8/1988 Yamada A47G 19/2227 206/217
- 4,869,912 A * 9/1989 McCoy A61J 9/001 215/11.3
- 5,938,162 A * 8/1999 Honjo A47G 23/032 248/346.11
- D421,139 S * 2/2000 Garcia-Maldonado D26/11
- 6,105,814 A * 8/2000 Chen A47G 19/2227 206/217
- D480,271 S * 10/2003 Lin D7/523
- 6,715,604 B2 * 4/2004 Taylor A47G 23/032 206/204
- D530,569 S * 10/2006 Hsu D7/509
- D548,526 S * 8/2007 Huffman D7/523
- D548,534 S * 8/2007 Sullivan D7/509

(Continued)

Primary Examiner — Marianne Pandozzi
Assistant Examiner — Jae Liang
(74) *Attorney, Agent, or Firm* — Amin, Turocy & Watson, LLP

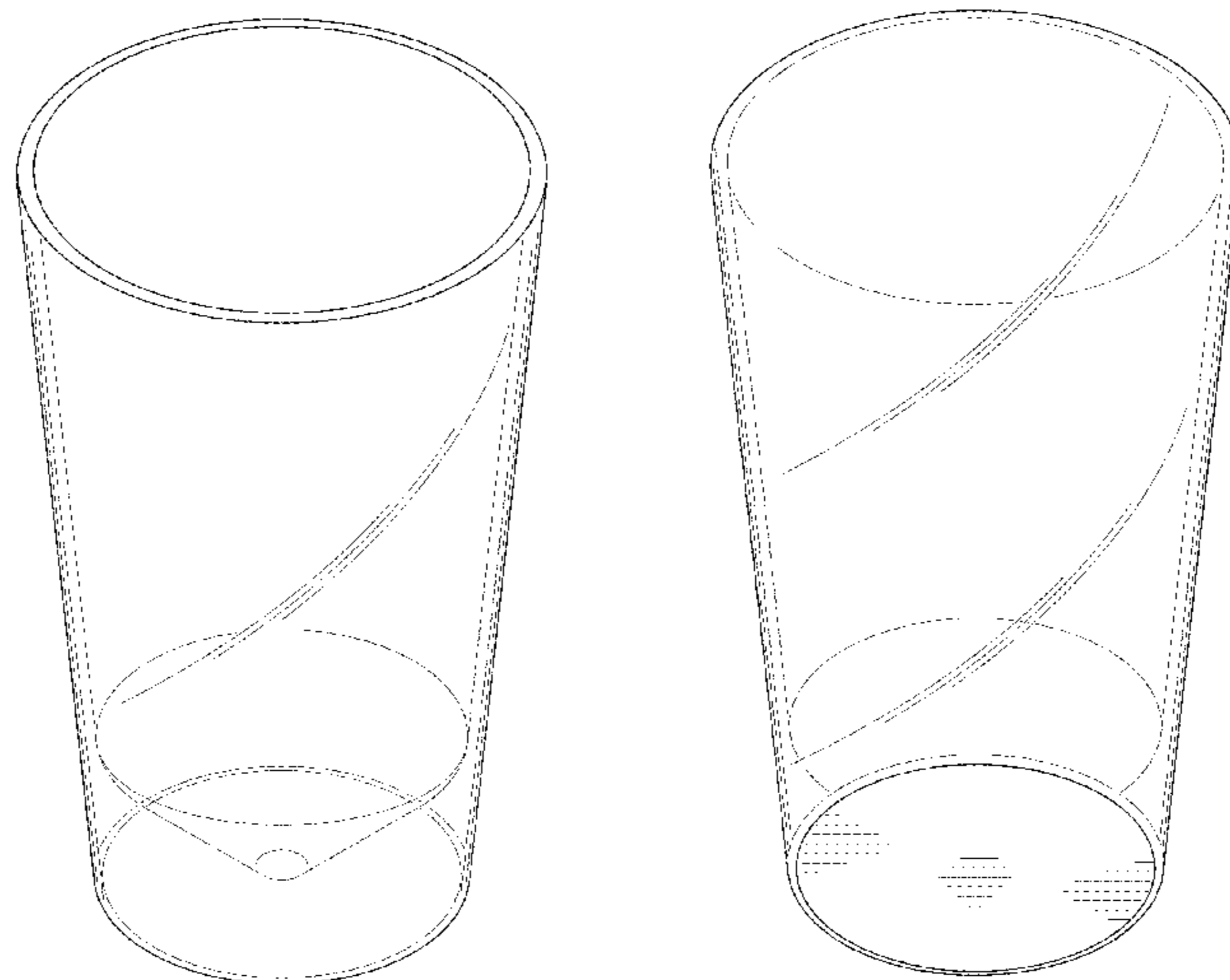
(57) **CLAIM**

The ornamental design for a cup with a bottom insert, as shown and described.

DESCRIPTION

FIG. 1 is a top front perspective view of a cup with a bottom insert showing my new design;
FIG. 2 is a bottom-rear perspective view of the cup of FIG. 1;
FIG. 3 is a front view of the cup of FIG. 1;
FIG. 4 is a rear view of the cup of FIG. 1;
FIG. 5 is a right side view of the cup of FIG. 1;
FIG. 6 is a left side view of the cup of FIG. 1;
FIG. 7 is a top view of the cup of FIG. 1; and,
FIG. 8 is a bottom view of the cup of FIG. 1.

1 Claim, 5 Drawing Sheets



(56)

References Cited

U.S. PATENT DOCUMENTS

D563,172	S	*	3/2008	Bodum	D7/509
D563,724	S	*	3/2008	Bodum	D7/509
D570,158	S	*	6/2008	Massi	D7/509
D595,090	S	*	6/2009	Benson	D7/509
D606,807	S	*	12/2009	Humphreys	D7/505
D613,996	S	*	4/2010	Ross	D7/523
D631,294	S	*	1/2011	Ross	D7/507
D635,399	S	*	4/2011	DelVecchio	D7/509
D646,926	S	*	10/2011	Willat	D7/509
D655,982	S	*	3/2012	Liu	D7/509
D670,836	S	*	11/2012	Hisey	26/22
D680,377	S	*	4/2013	Romley	D7/523
D693,176	S	*	11/2013	Kaiser	D7/509
D713,690	S	*	9/2014	Katterheinrich	D7/523
D720,185	S	*	12/2014	Kaiser	D7/509
D724,386	S	*	3/2015	Royer	D7/523
D737,100	S	*	8/2015	Ross	D7/523
D751,863	S	*	3/2016	Eyal	D7/507
D772,013	S	*	11/2016	O'Connor	D7/509
2009/0120938	A1	*	5/2009	Liu	A45D 33/006 220/288

* cited by examiner

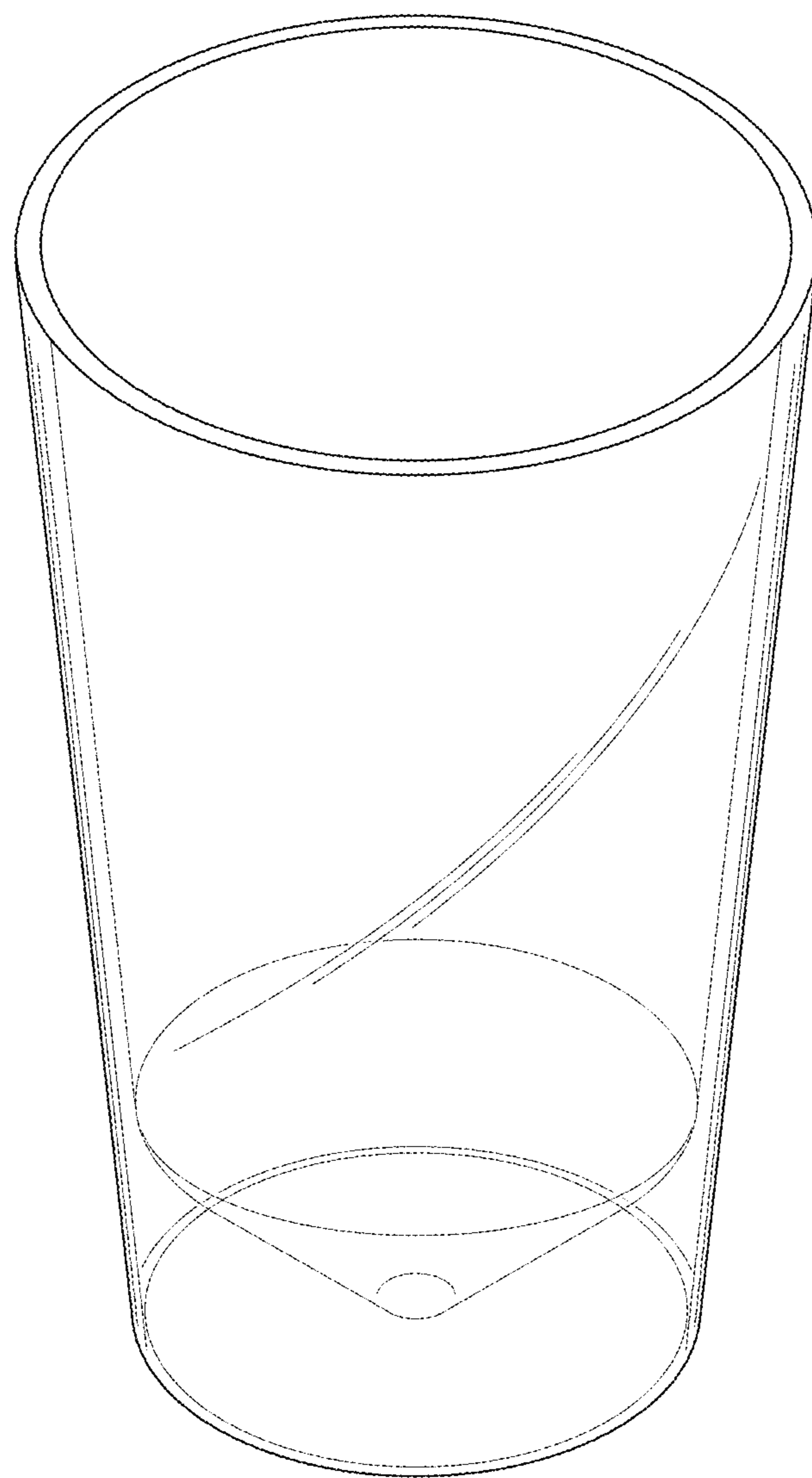


FIG. 1

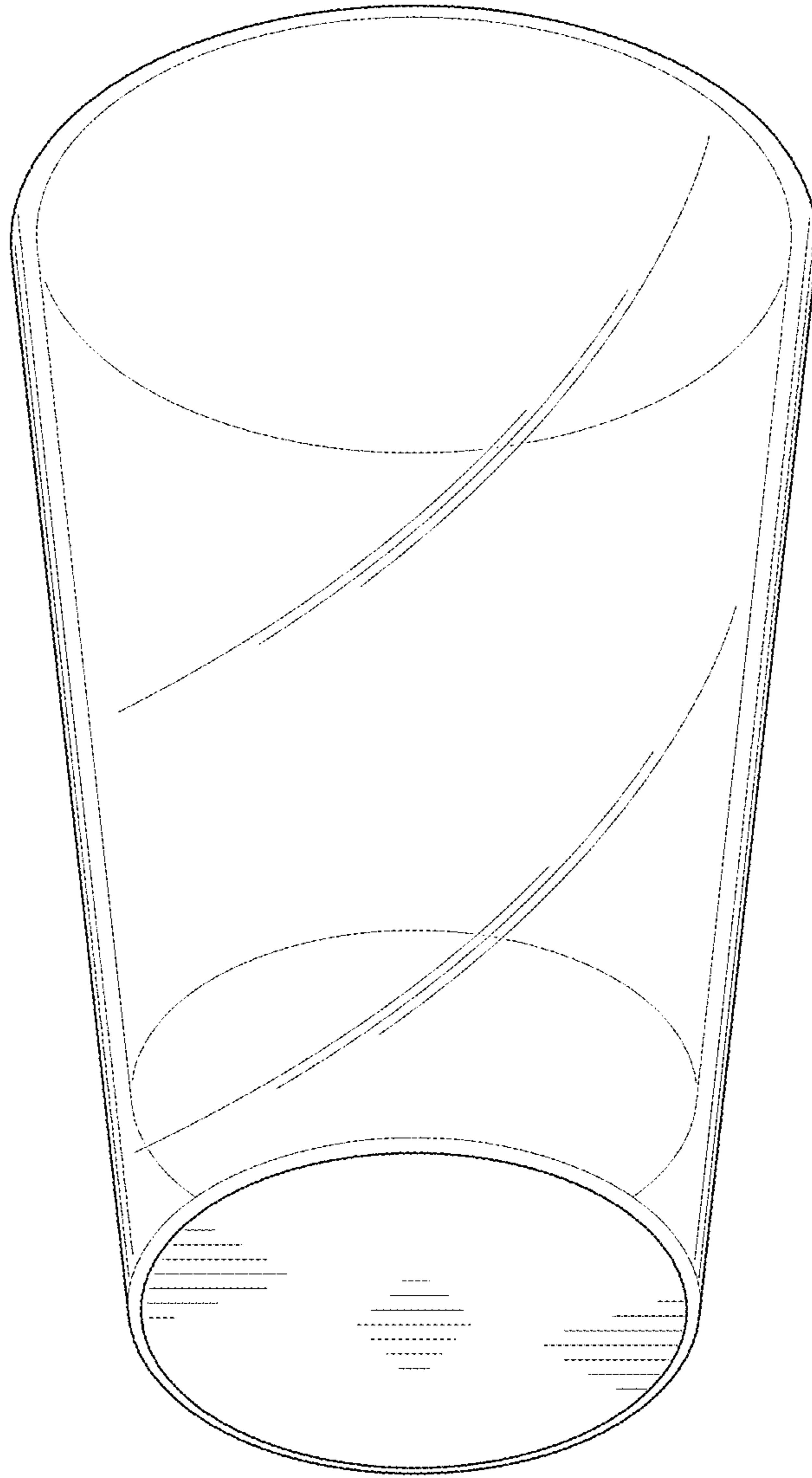


FIG. 2

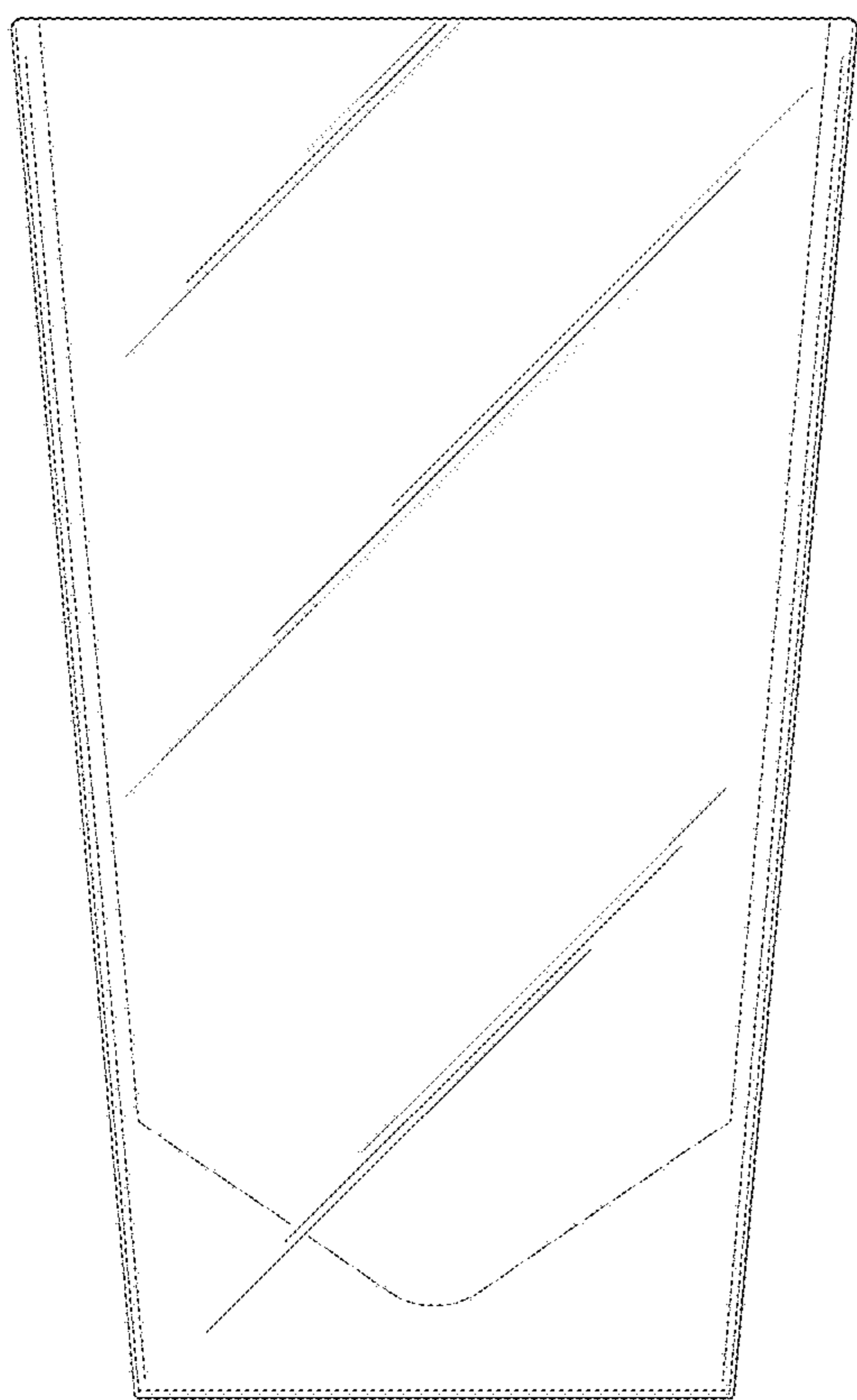


FIG. 3

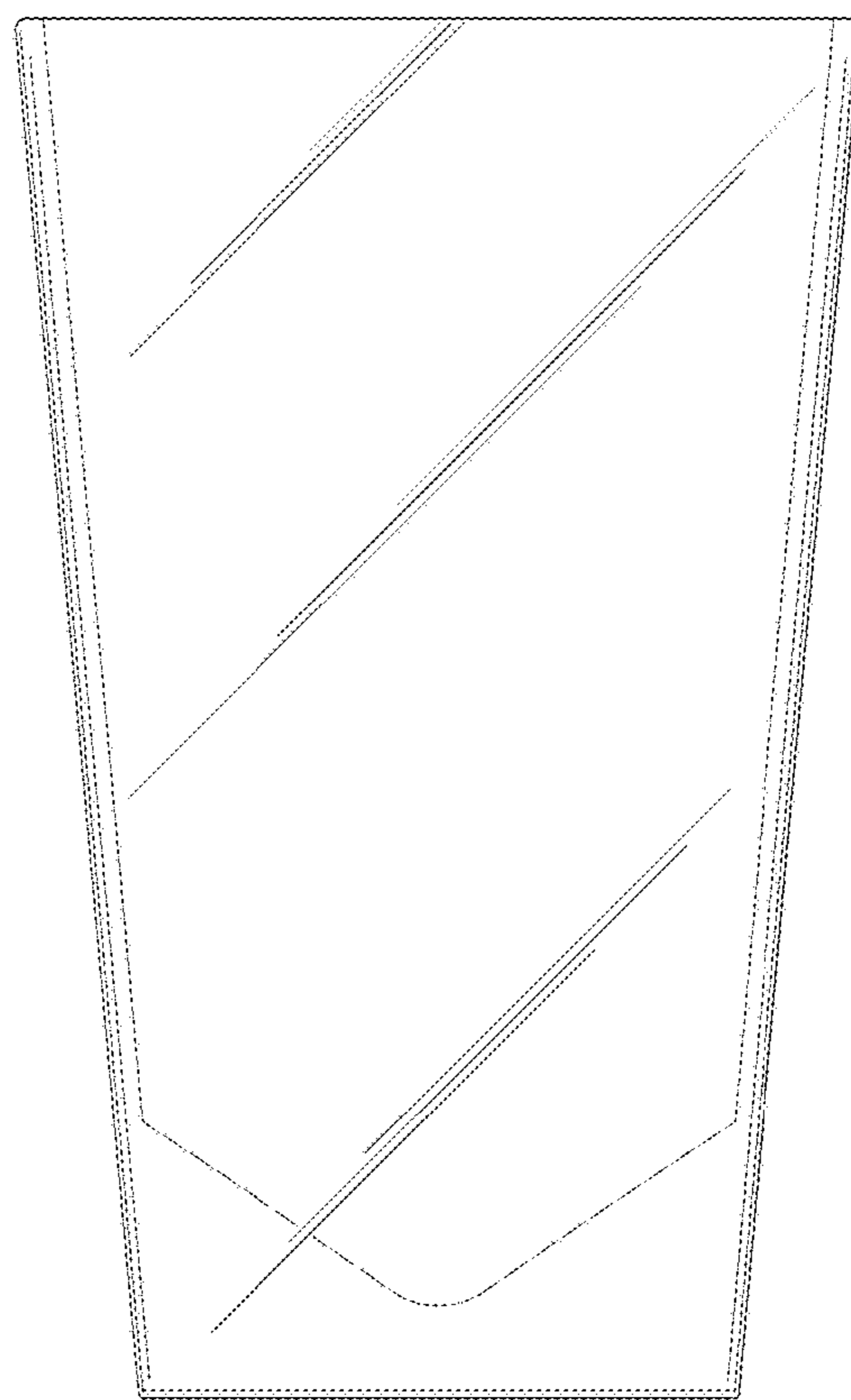


FIG. 4

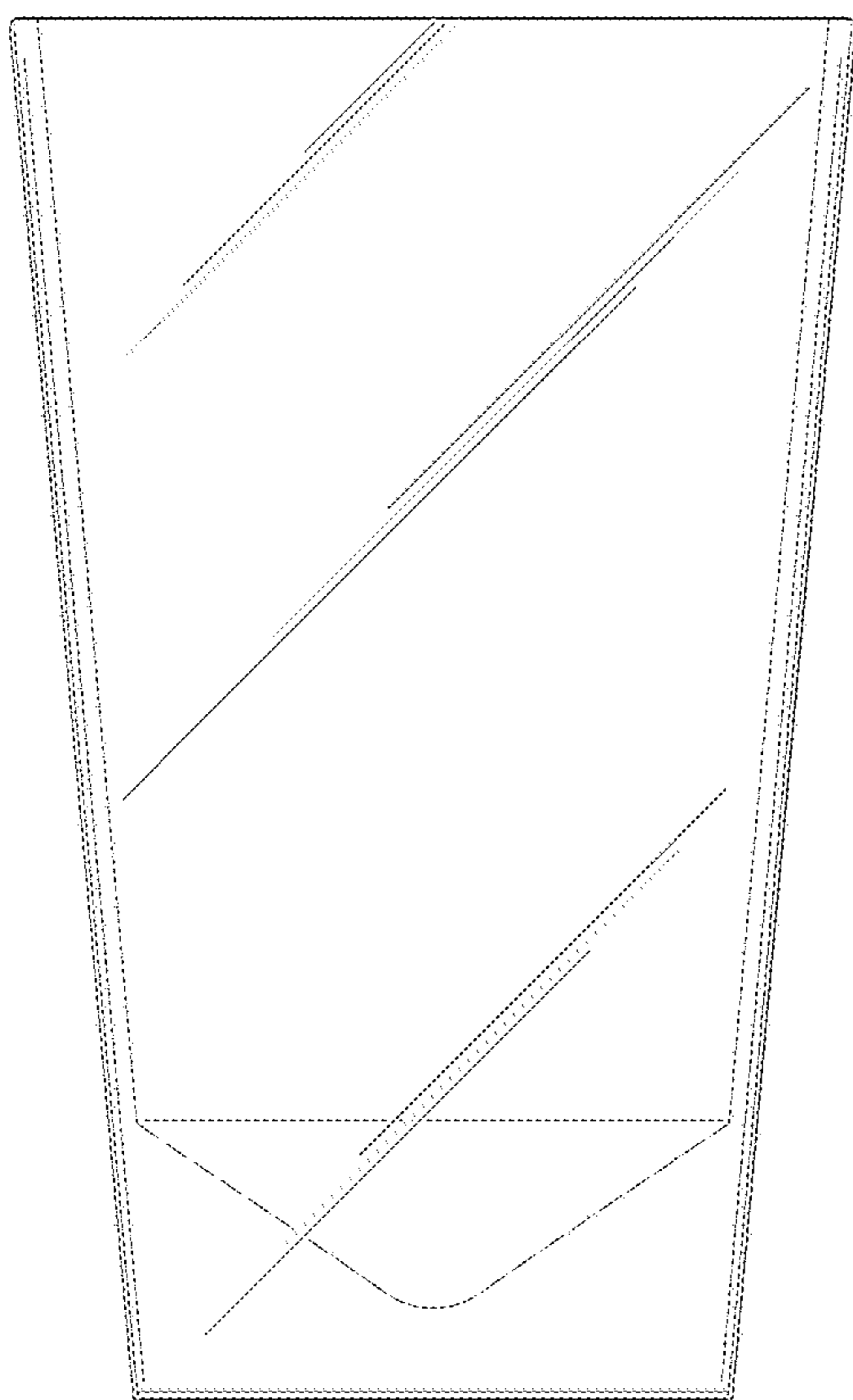


FIG. 5

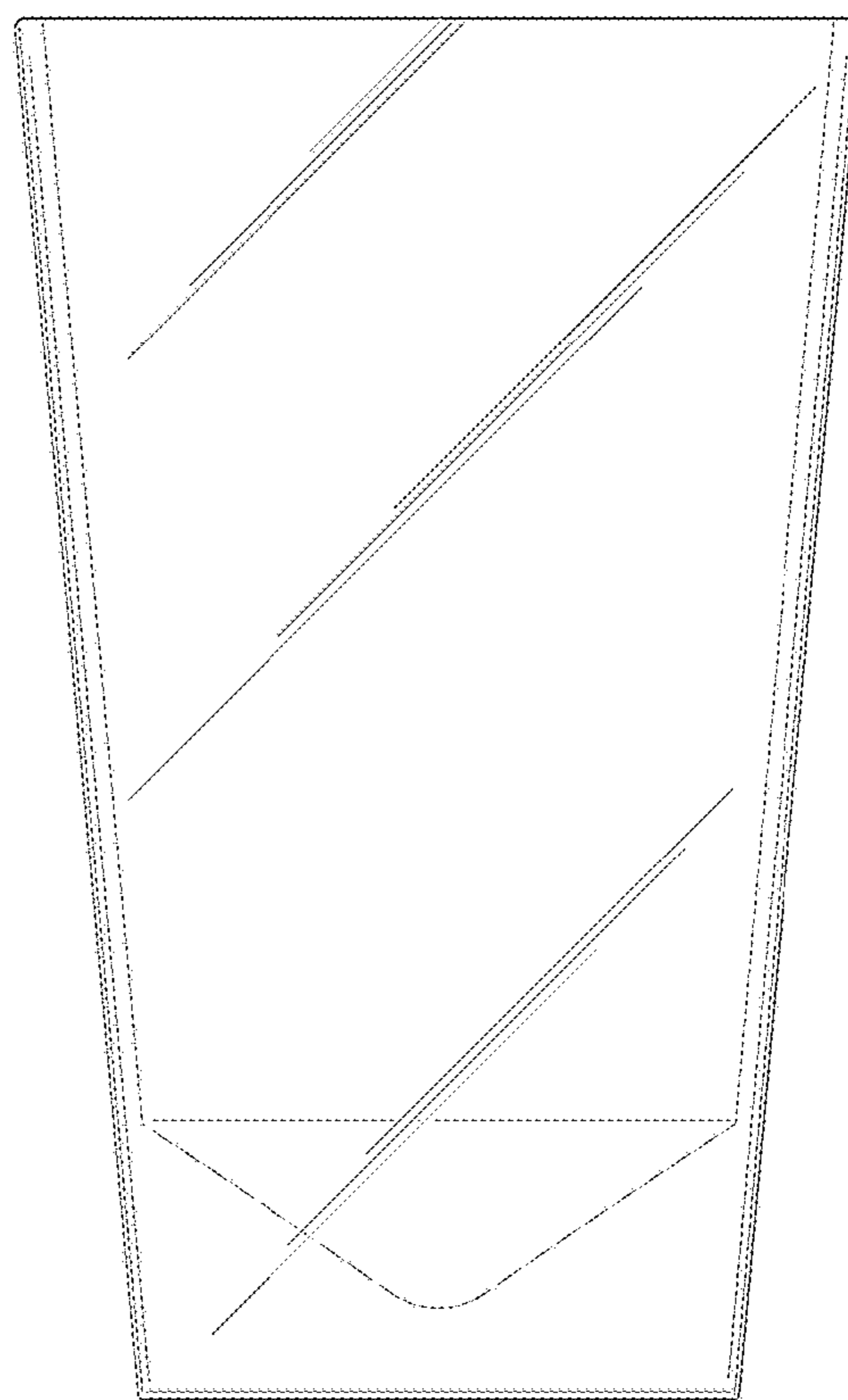


FIG. 6

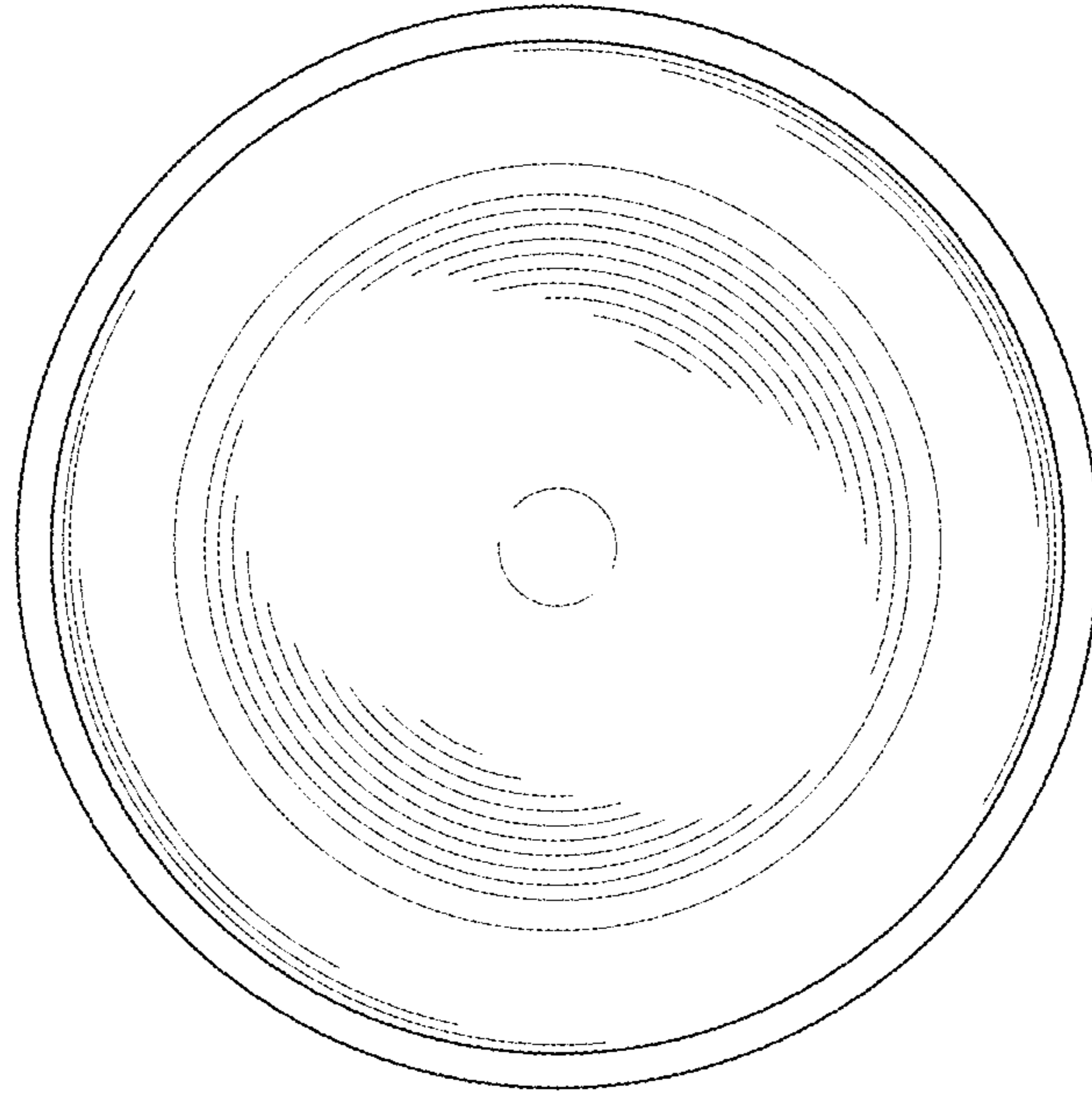


FIG. 7

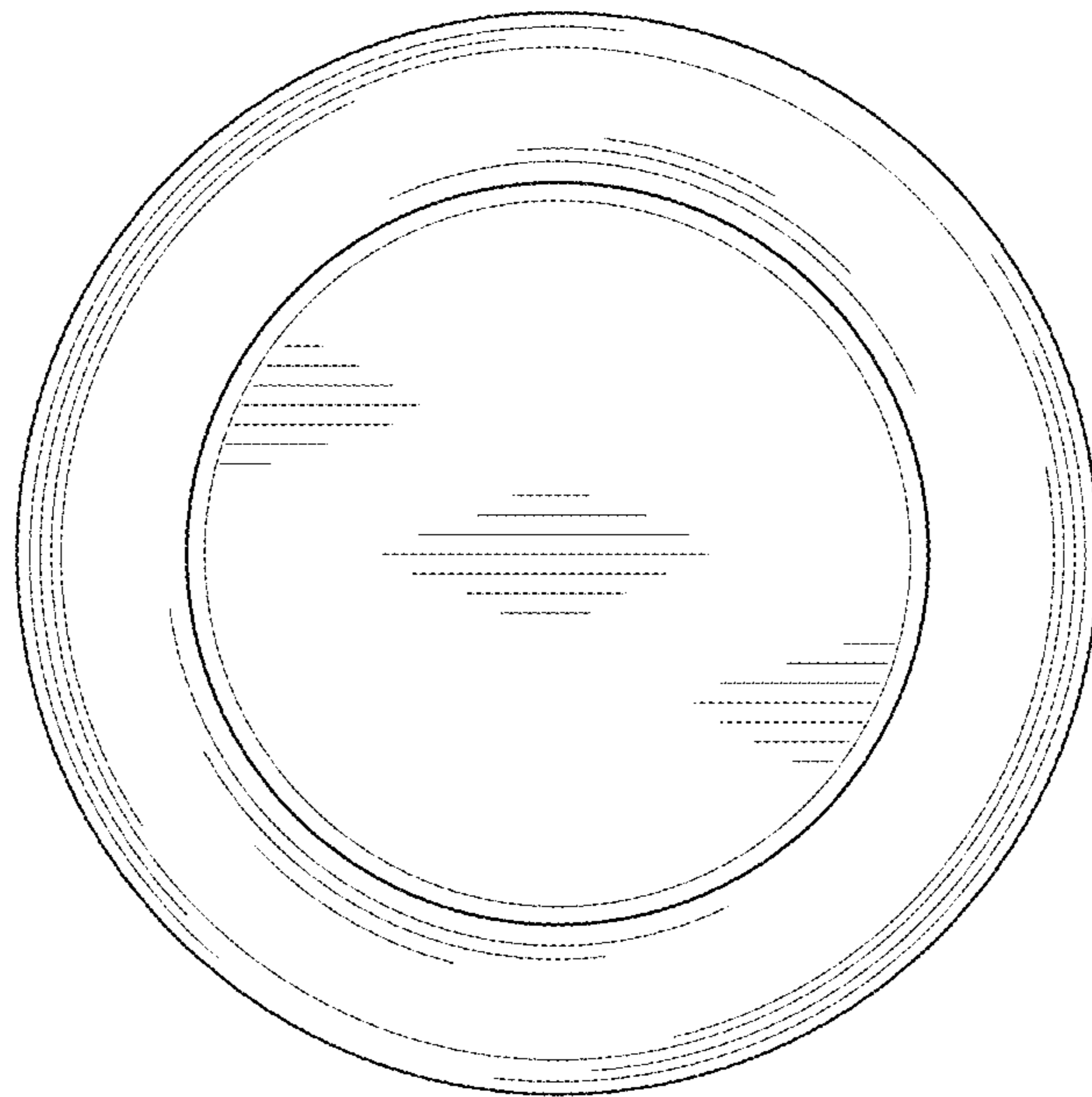


FIG. 8