

(56)

References Cited

U.S. PATENT DOCUMENTS

4,125,218 A * 11/1978 DeBoer A47G 19/2227
181/177
4,869,912 A * 9/1989 McCoy A61J 9/001
215/11.3
5,001,907 A 3/1991 LaCroix et al.
D316,671 S 5/1991 Rohmeder
D322,753 S 12/1991 Sussman
D335,428 S 5/1993 Picozza et al.
5,361,935 A 11/1994 Sagucio
D421,139 S 2/2000 Garcia-Maldonado
6,105,814 A * 8/2000 Chen A47G 19/2227
206/217
D480,271 S 10/2003 Lin
D506,910 S 7/2005 Tham-itthisak
D530,569 S * 10/2006 Hsu D7/509
D548,534 S * 8/2007 Sullivan D7/509
D550,083 S 9/2007 Etheridge
D554,763 S 11/2007 Gerretz
D554,764 S 11/2007 Gerretz et al.
D555,835 S 11/2007 Song
D562,500 S 2/2008 Dretzka
D563,172 S * 3/2008 Bodum D7/509
D563,724 S * 3/2008 Bodum D7/509
H2217 H 6/2008 Smay et al.
D570,158 S * 6/2008 Massi D7/509
D581,739 S 12/2008 Bodum
D595,090 S * 6/2009 Benson D7/509
D595,578 S 7/2009 Del Tedesco Zamberlan
D606,807 S * 12/2009 Humphreys D7/505
D613,168 S 4/2010 Rowland et al.
D613,603 S 4/2010 Rowland et al.
D613,996 S * 4/2010 Ross D7/523
D615,400 S 5/2010 Usui et al.
D622,592 S 8/2010 Niikura et al.
D623,475 S 9/2010 Aarnoudse et al.
D624,276 S 9/2010 Green
D630,514 S 1/2011 Niikura et al.
D631,294 S * 1/2011 Ross D7/507
D637,492 S 5/2011 Baird et al.
D645,750 S 9/2011 Lee
D646,926 S * 10/2011 Willat D7/509
D652,722 S 1/2012 Robertson et al.
D655,982 S * 3/2012 Liu D7/509
D670,836 S * 11/2012 Hisey 26/22
D679,545 S 4/2013 Wolhendler
D686,454 S 7/2013 Roth
8,505,763 B2 * 8/2013 Hayakawa B05B 11/3047
215/377
D693,176 S * 11/2013 Kaiser D7/509

D696,948 S 1/2014 Kim
D698,499 S 1/2014 Deng
D705,608 S 5/2014 Wolhendler
D705,609 S 5/2014 Keyes
D713,690 S * 9/2014 Katterheinrich D7/523
D714,098 S 9/2014 Zollweg et al.
D714,589 S 10/2014 Uchida
D719,829 S 12/2014 Ferber et al.
D720,185 S * 12/2014 Kaiser D7/509
D720,958 S 1/2015 Kehoe
D724,386 S * 3/2015 Royer D7/523
D728,311 S 5/2015 Eyal
D733,499 S 7/2015 Perman et al.
D736,034 S 8/2015 Spivey et al.
D737,100 S * 8/2015 Ross D7/523
D741,603 S 10/2015 Mehta et al.
D742,562 S 11/2015 Kasha
D742,563 S 11/2015 Kasha
9,204,744 B2 12/2015 Vacanti
D751,863 S * 3/2016 Eyal D7/507
D754,478 S 4/2016 Kushner
D755,013 S 5/2016 Khubani et al.
D761,112 S 7/2016 Komai et al.
D769,069 S 10/2016 Sanbar
D772,013 S * 11/2016 O'Connor D7/509
D772,653 S 11/2016 Miller
D777,519 S 1/2017 Levy et al.
D779,884 S 2/2017 Karussi
D780,519 S 3/2017 Karussi et al.
D788,530 S 6/2017 Kestenbaum et al.
2003/0076671 A1 4/2003 Diak/Ghanem
2003/0219616 A1 11/2003 Cheng
2008/0210694 A1 9/2008 Castonguay
2012/0247998 A1 10/2012 Wahl
2013/0112696 A1 5/2013 Fenelon
2014/0240962 A1 8/2014 Wang et al.
2015/0265078 A1 9/2015 Goosman

OTHER PUBLICATIONS

Office Action for Design U.S. Appl. No. 29/543,390 dated Jun. 20, 2017, 13 pages.
Office Action for Design U.S. Appl. No. 29/565,766 dated Apr. 27, 2017, 10 pages.
Office Action for Design U.S. Appl. No. 29/565,771 dated Feb. 8, 2017, 11 pages.
Office Action for Design U.S. Appl. No. 29/545,341 dated Dec. 30, 2016, 8 pages.
Office Action for Design U.S. Appl. No. 29/545,341 dated Mar. 24, 2017, 6 pages.

* cited by examiner

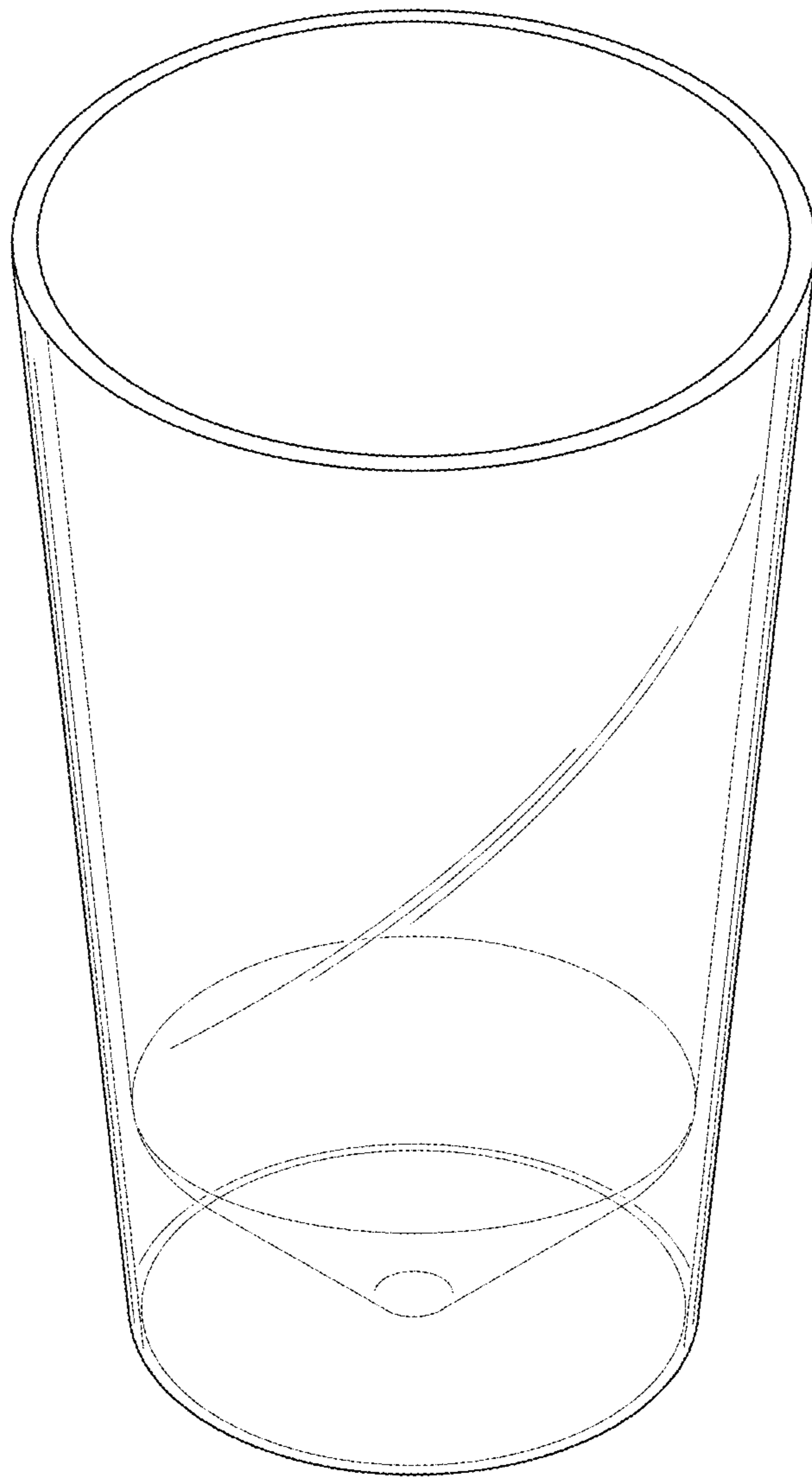


FIG. 1

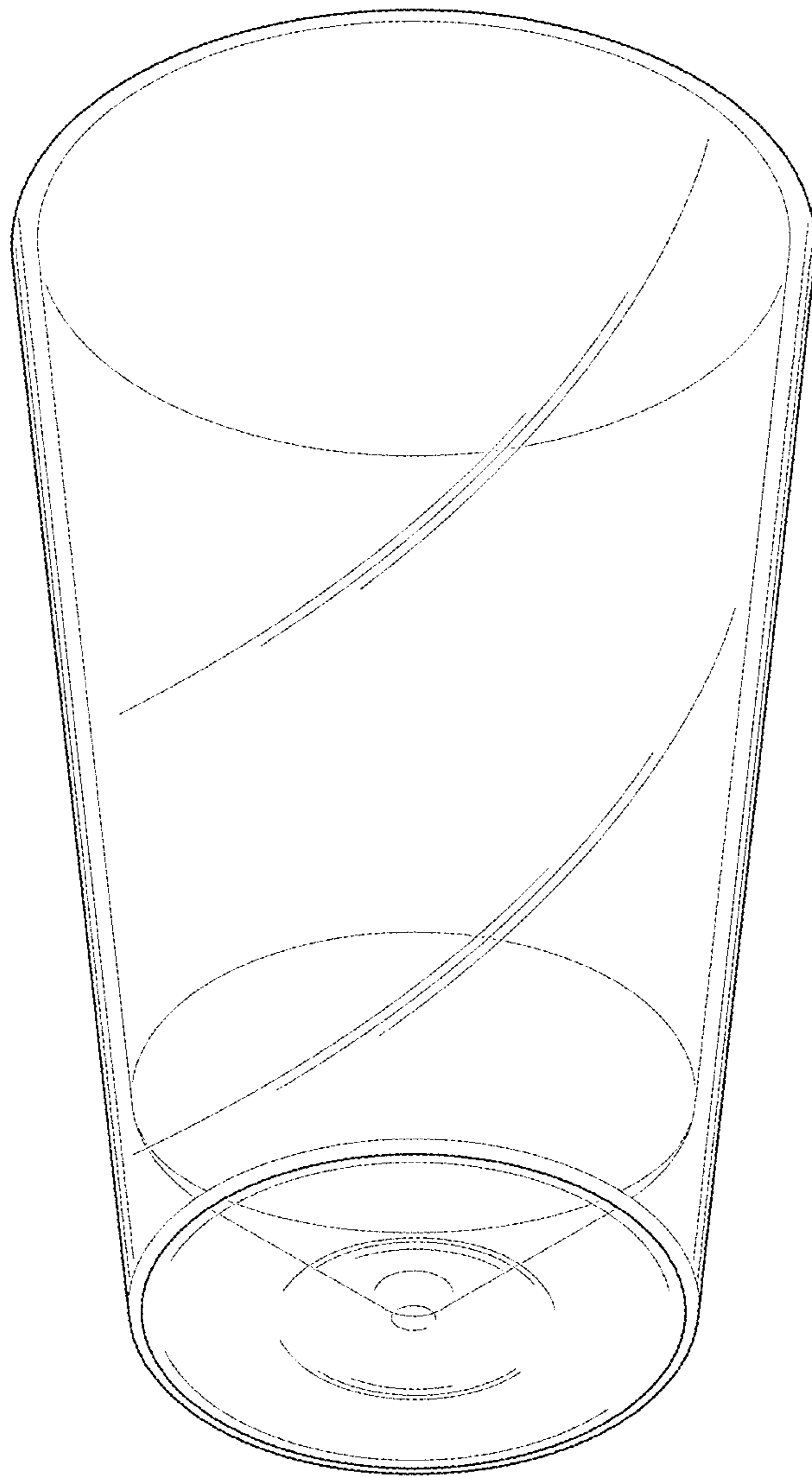


FIG. 2

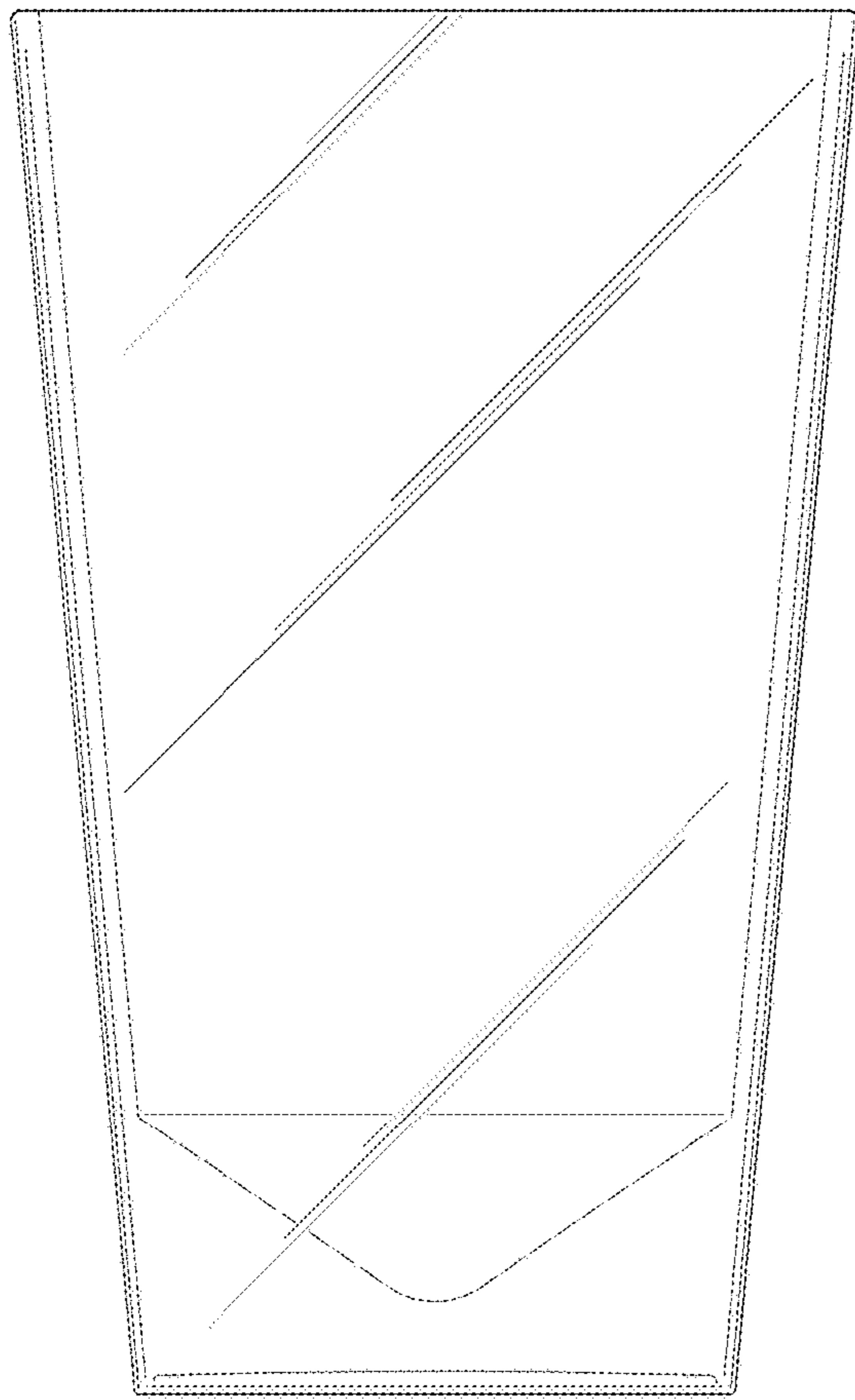


FIG. 3

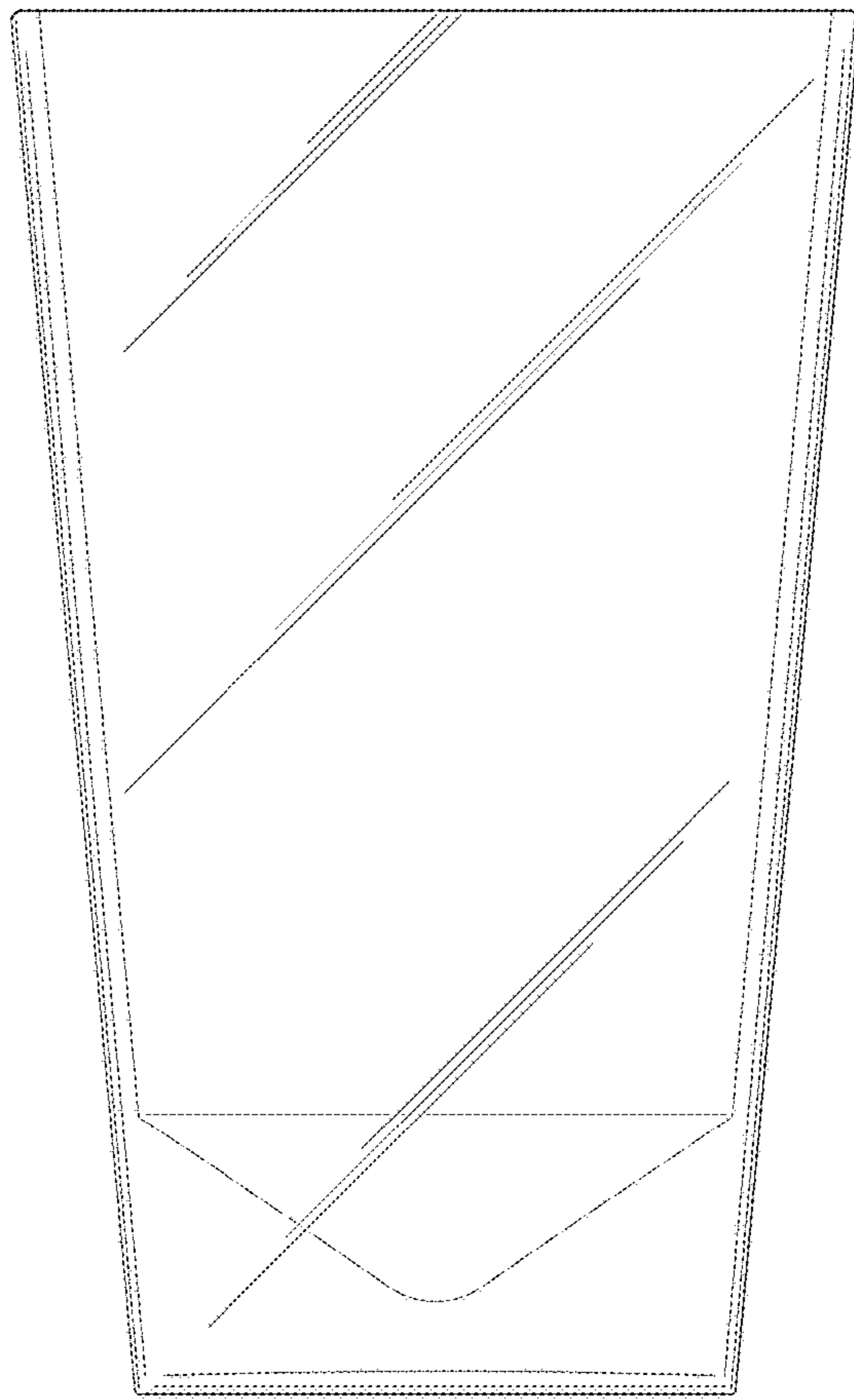


FIG. 4

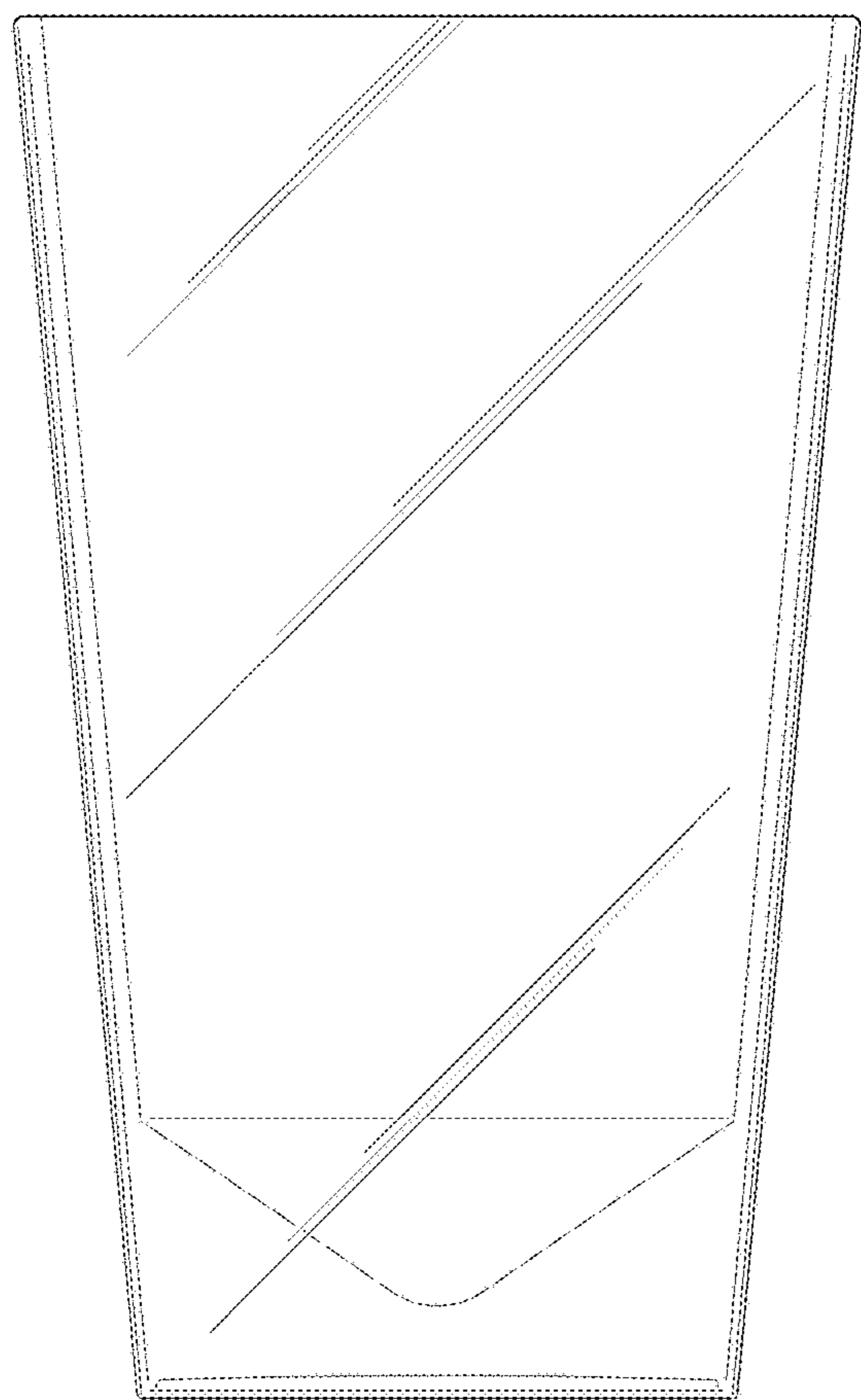


FIG. 5

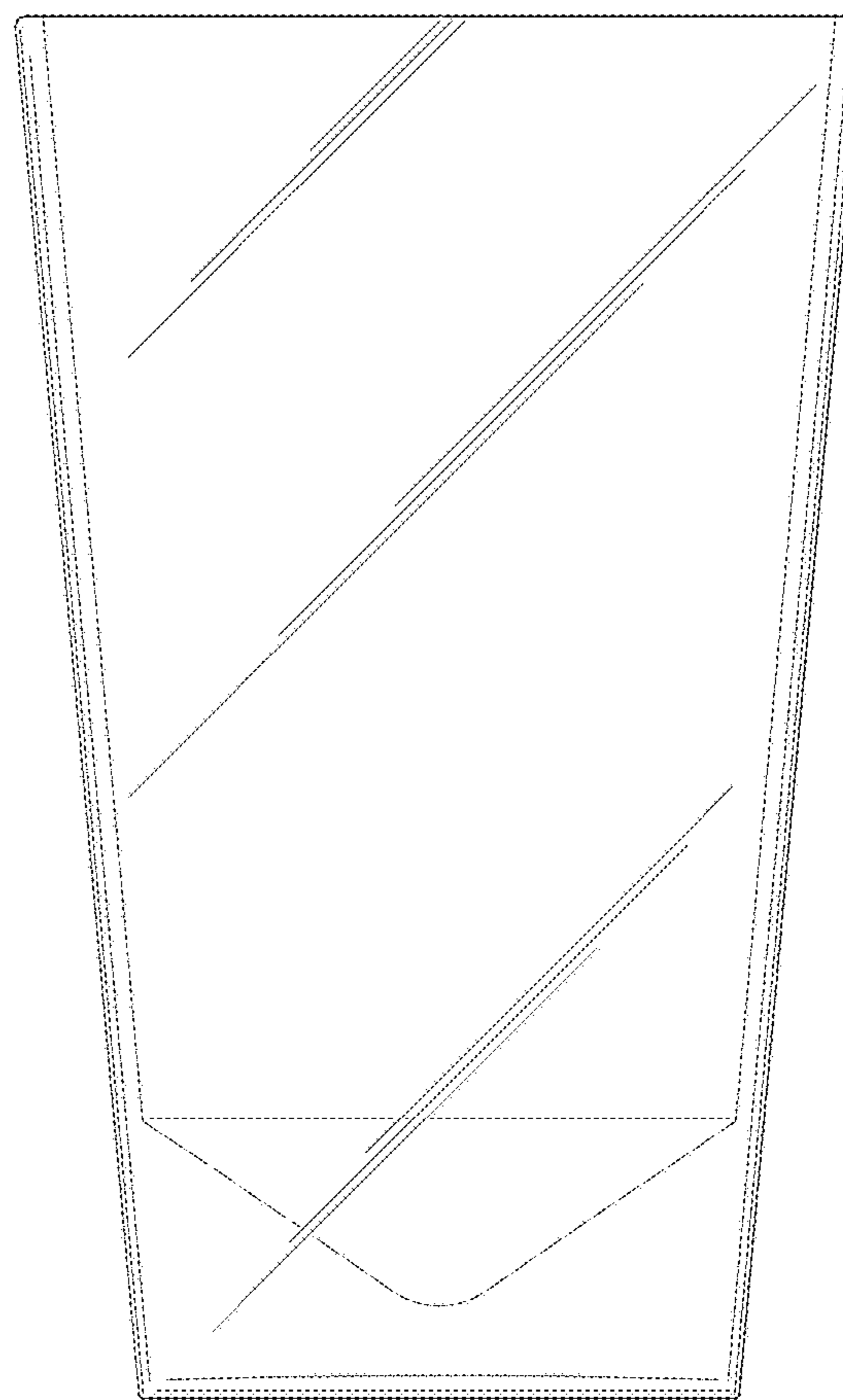


FIG. 6

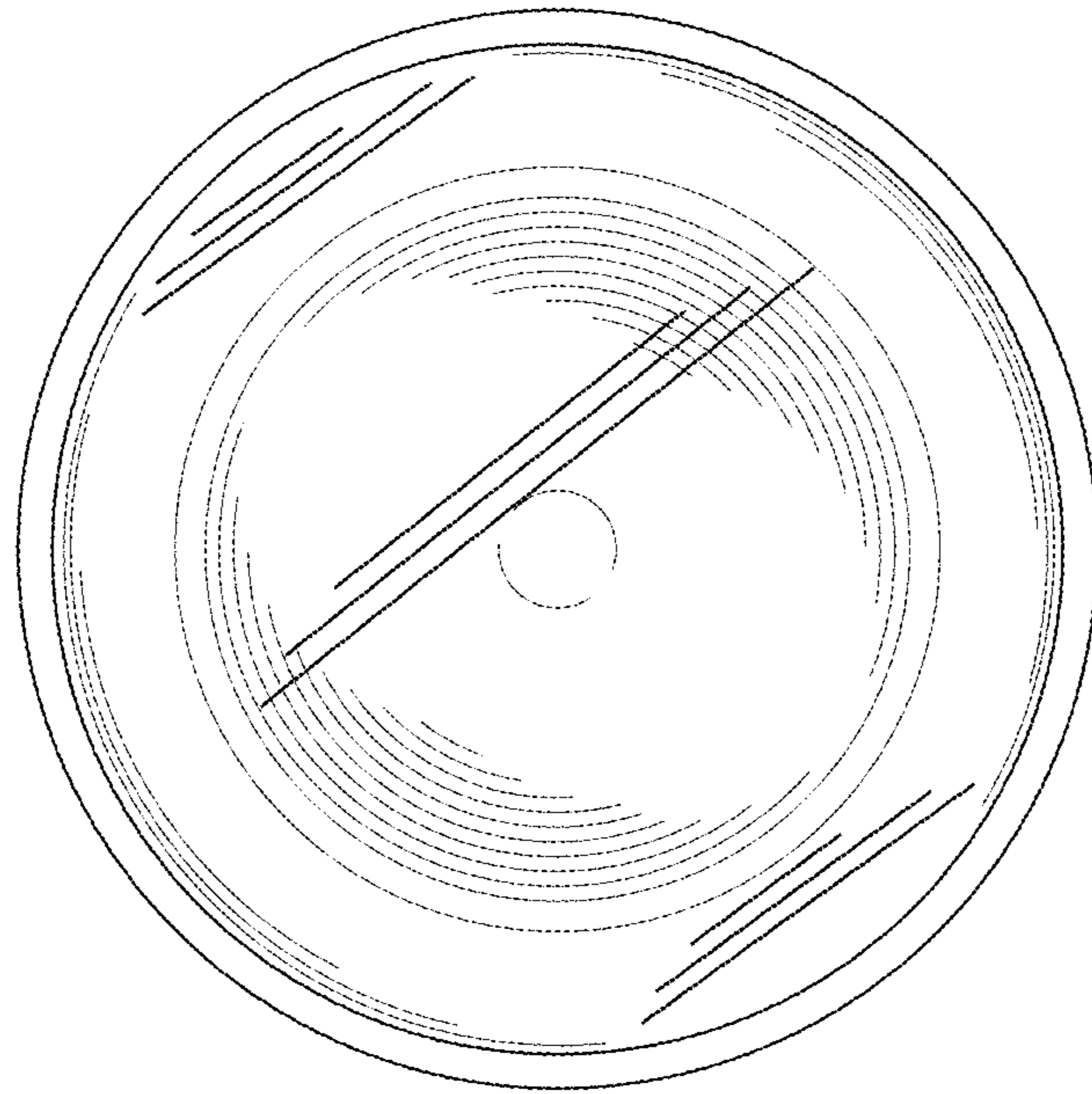


FIG. 7

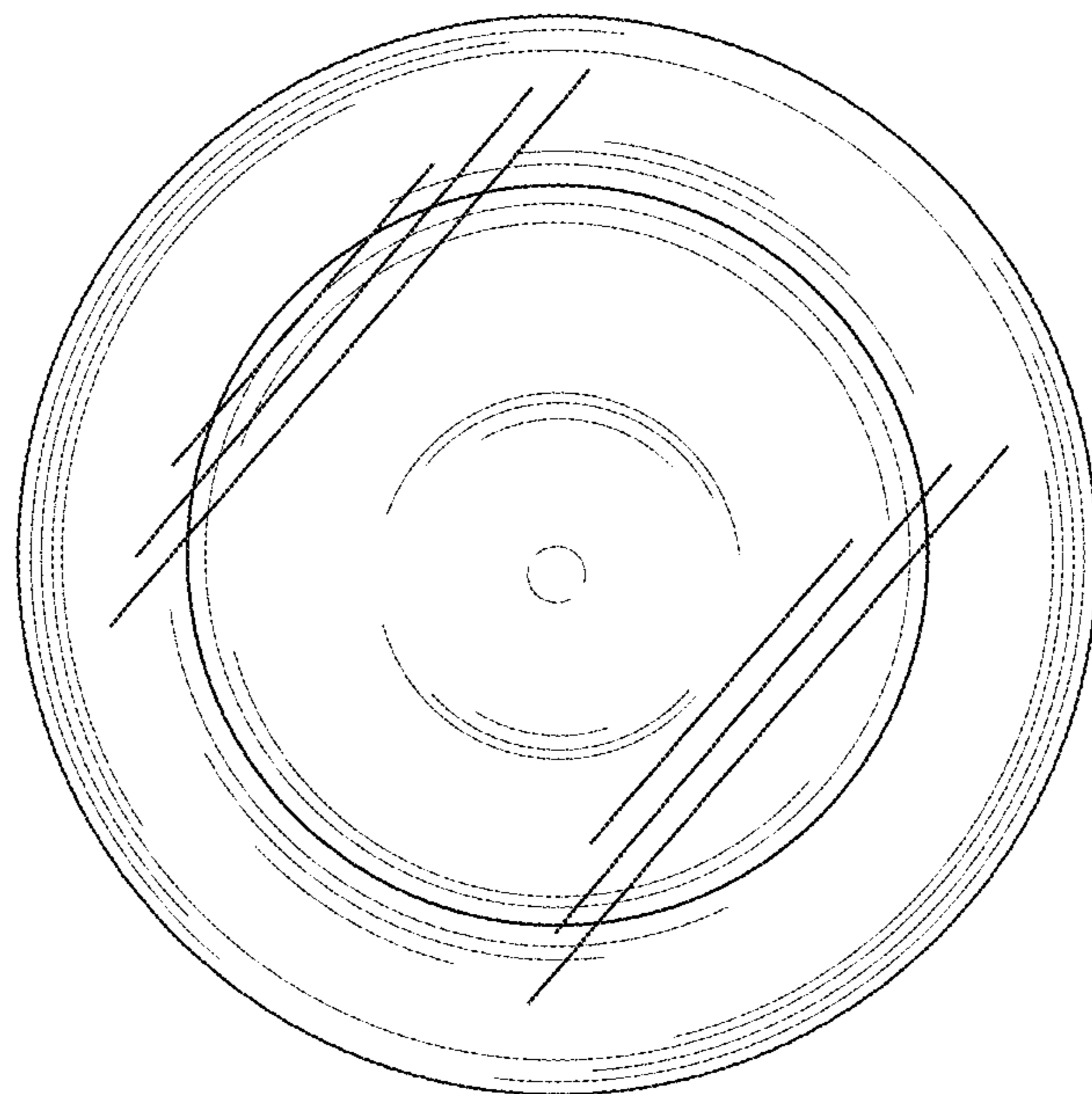


FIG. 8