



US00D817094S

(12) **United States Design Patent** (10) **Patent No.:** **US D817,094 S**
Silsby et al. (45) **Date of Patent:** **** *May 8, 2018**

(54) **BEVERAGE CONTAINER**
(71) Applicant: **Pacific Market International, LLC**,
Seattle, WA (US)

(72) Inventors: **Jacob D. Silsby**, Seattle, WA (US);
Evan Michael Choltco-Devlin,
Ellensburg, WA (US)

(73) Assignee: **Pacific Market International, LLC**,
Seattle, WA (US)

(*) Notice: This patent is subject to a terminal disclaimer.

(**) Term: **15 Years**

(21) Appl. No.: **29/586,903**

(22) Filed: **Dec. 7, 2016**

(51) **LOC (11) Cl.** **07-01**

(52) **U.S. Cl.**
USPC **D7/510; D7/511; D7/532**

(58) **Field of Classification Search**
USPC D7/507, 509, 510, 511, 523, 527, 529,
D7/531, 532, 533, 534, 535, 536, 608,
D7/300, 300.1; D34/39; D9/503, 907,
D9/531; 220/592.16, 592.17, 495.03
CPC A47G 19/22; A47G 19/2205; A47G
19/2222; A45F 3/16; A45F 3/20; B67D
7/06; B67D 1/0004; B65D 25/14
See application file for complete search history.

(56) **References Cited**

U.S. PATENT DOCUMENTS

- 1,575,870 A * 3/1926 Sehlbach A47G 19/2205
215/383
- D398,478 S * 9/1998 Spencer D7/510
- D462,576 S * 9/2002 Janky D7/510
- D587,069 S * 2/2009 Bodum D7/510
- D658,944 S * 5/2012 Gilbert D7/511

D690,162 S * 9/2013 Staton D7/510
D715,100 S * 10/2014 Eyal D7/510
D724,895 S * 3/2015 Kawase D7/510
(Continued)

OTHER PUBLICATIONS

Stanley Classic Pint product offered for sale at least one year prior to the filing date of the application of Dec. 7, 2016.
(Continued)

Primary Examiner — Marianne Pandozzi
Assistant Examiner — Jae Liang
(74) *Attorney, Agent, or Firm* — George C. Rondeau, Jr.;
Davis Wright Tremaine LLP

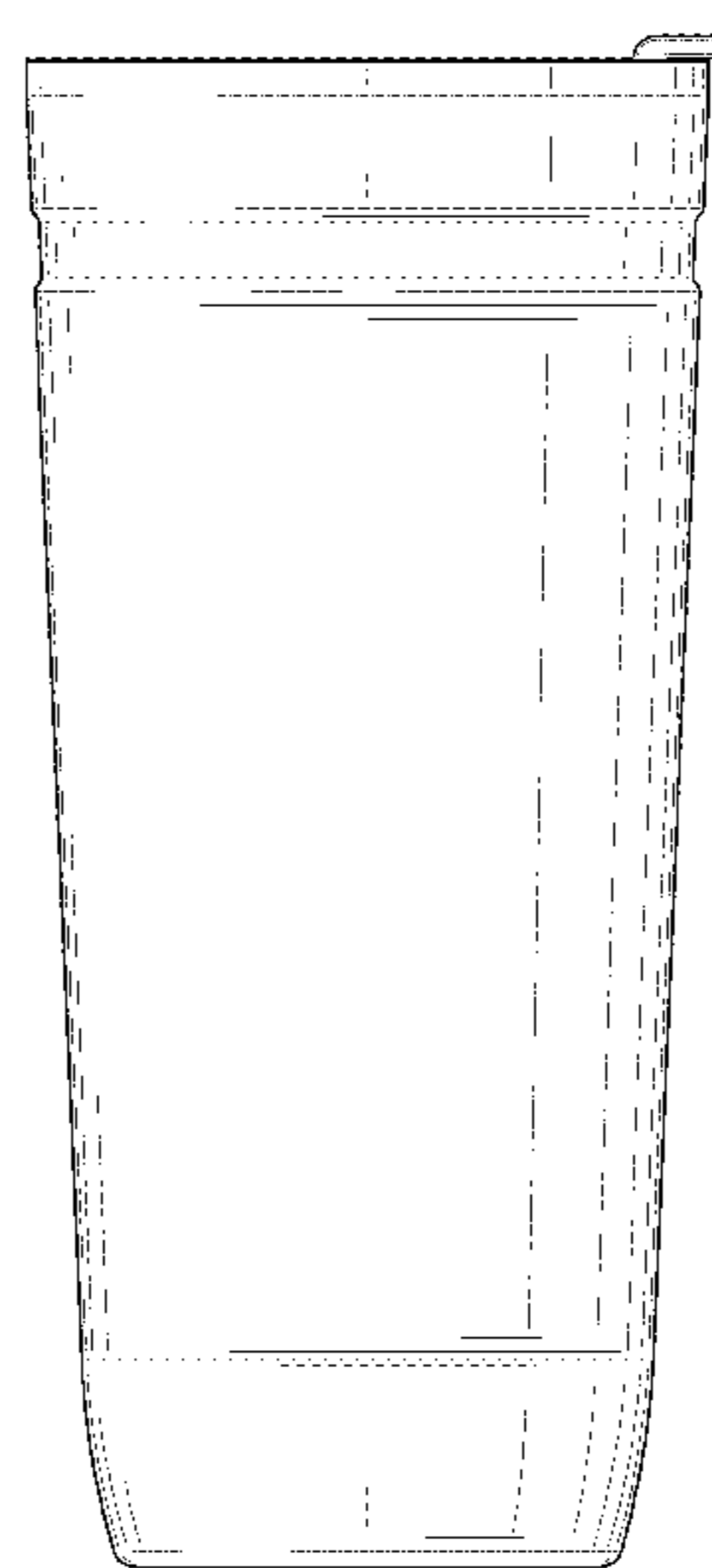
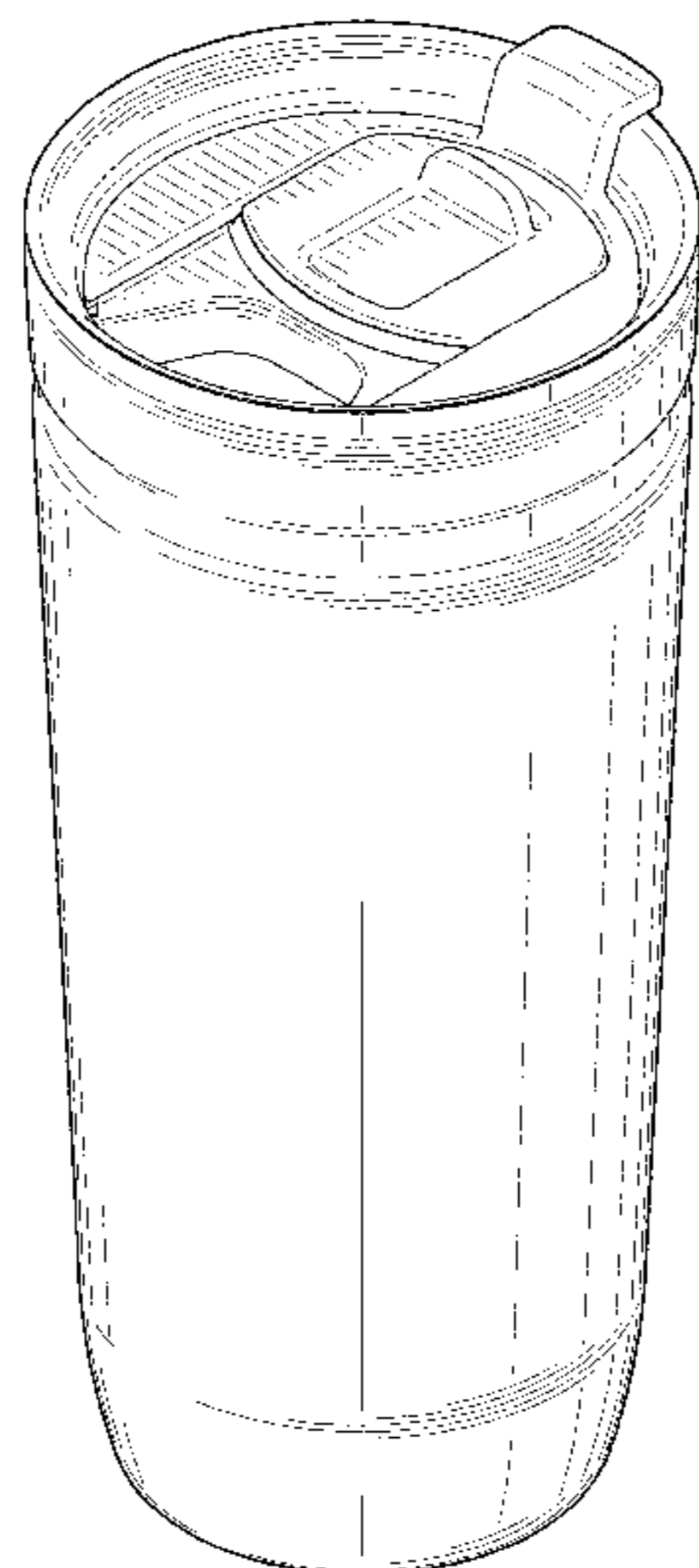
(57) **CLAIM**

The ornamental design for a beverage container, as shown and described.

DESCRIPTION

FIG. 1 is a top perspective view of a first embodiment of a beverage container showing our new design; FIG. 2 is a bottom perspective view thereof; FIG. 3 is a front elevational view thereof; FIG. 4 is a right side elevational view thereof; FIG. 5 is a rear elevational view thereof; FIG. 6 is a left side elevational view thereof; FIG. 7 is a top plan view thereof; FIG. 8 is a bottom plan view thereof; FIG. 9 is a top perspective view of a second embodiment thereof; FIG. 10 is a bottom perspective view thereof; FIG. 11 is a front elevational view thereof; FIG. 12 is a right side elevational view thereof; FIG. 13 is a rear elevational view thereof; FIG. 14 is a left side elevational view thereof; FIG. 15 is a top plan view thereof; and, FIG. 16 is a bottom plan view thereof. The broken lines in the drawings depict portions of the beverage container that form no part of the claimed design.

1 Claim, 14 Drawing Sheets



(56)

References Cited

U.S. PATENT DOCUMENTS

D727,684 S *	4/2015	Forsyth	D7/510
D756,787 S *	5/2016	Marchant	D9/503
D792,155 S *	7/2017	Stover	D7/510
D794,390 S *	8/2017	Boettcher Sebben	D7/510
D798,112 S *	9/2017	Godsey	D7/510

OTHER PUBLICATIONS

Hydroflask Pint product offered for sale at least one year prior to the filing date of the application of Dec. 7, 2016.

Avex Pint product offered for sale at least one year prior to the filing date of the application of Dec. 7, 2016.

* cited by examiner

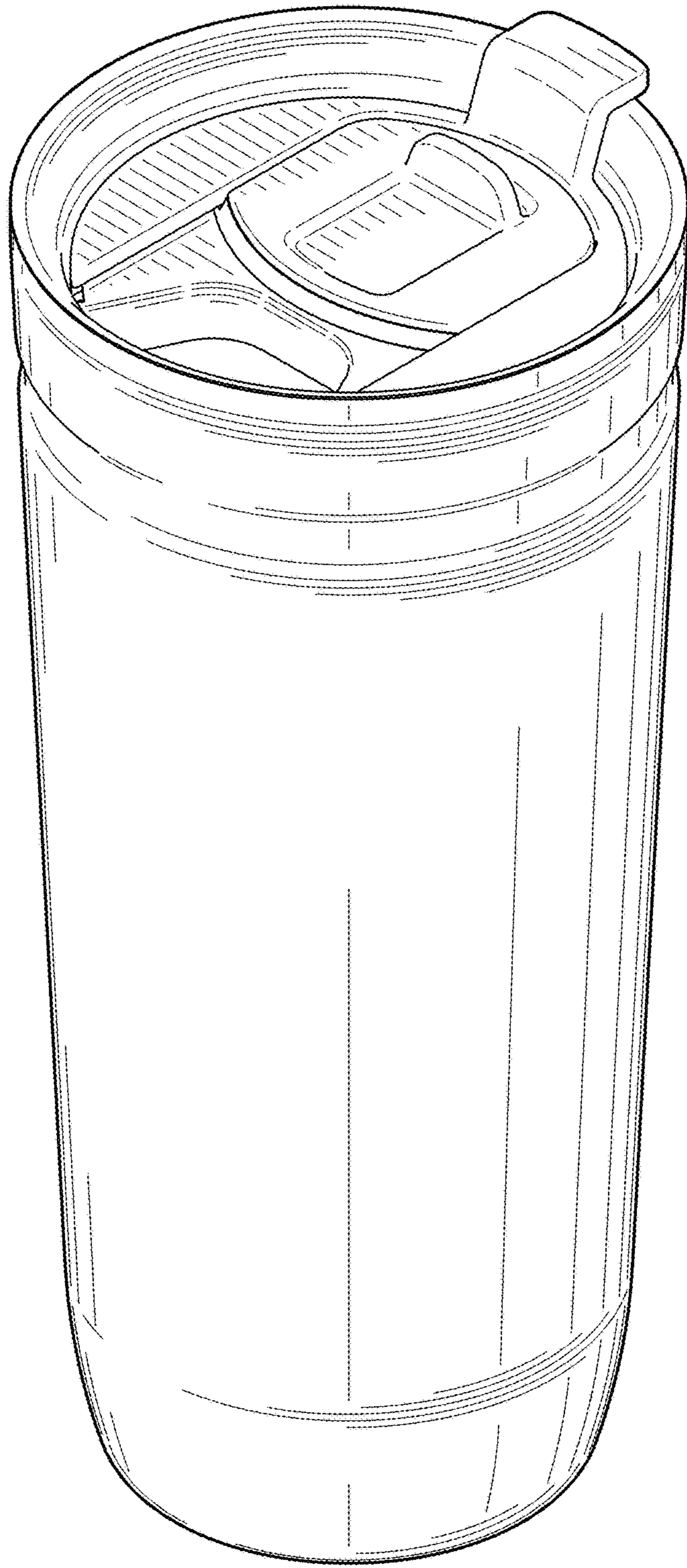


FIG. 1

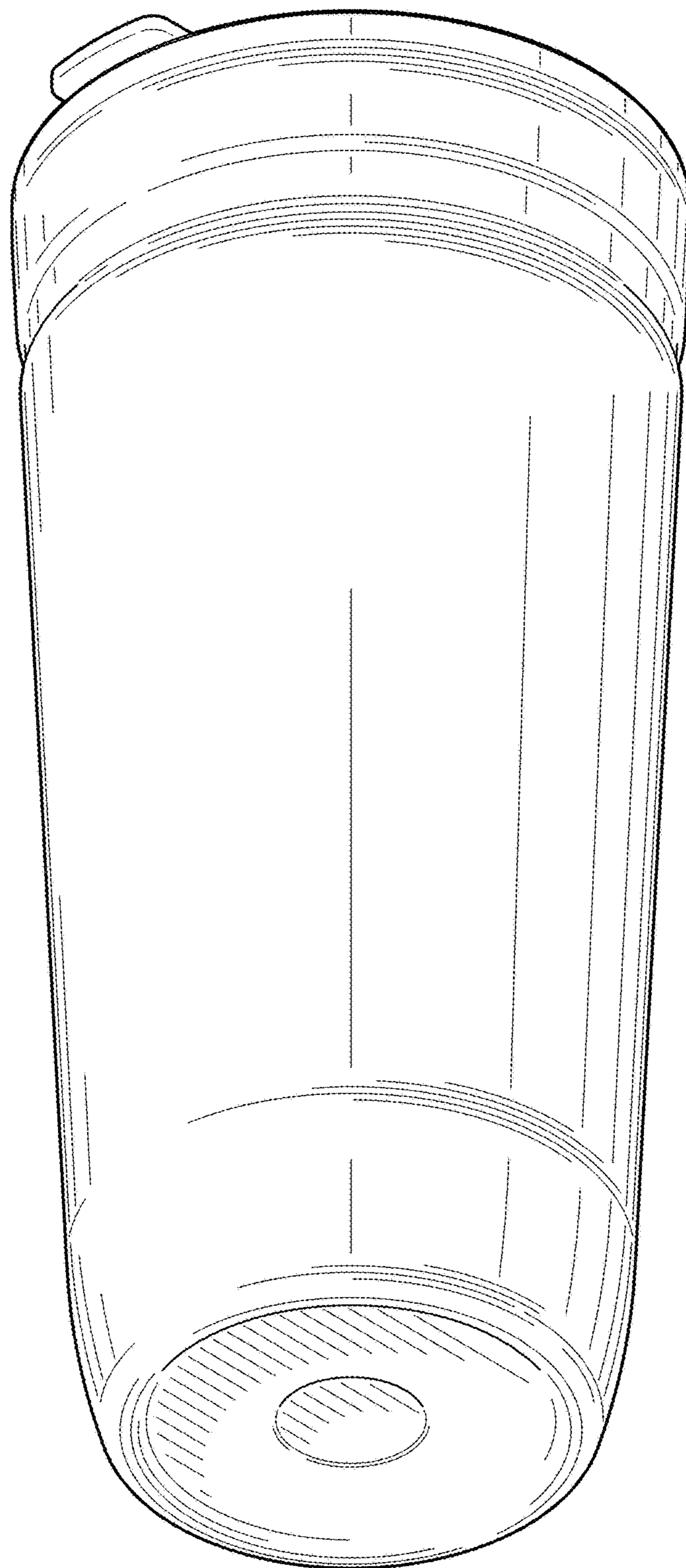


FIG. 2

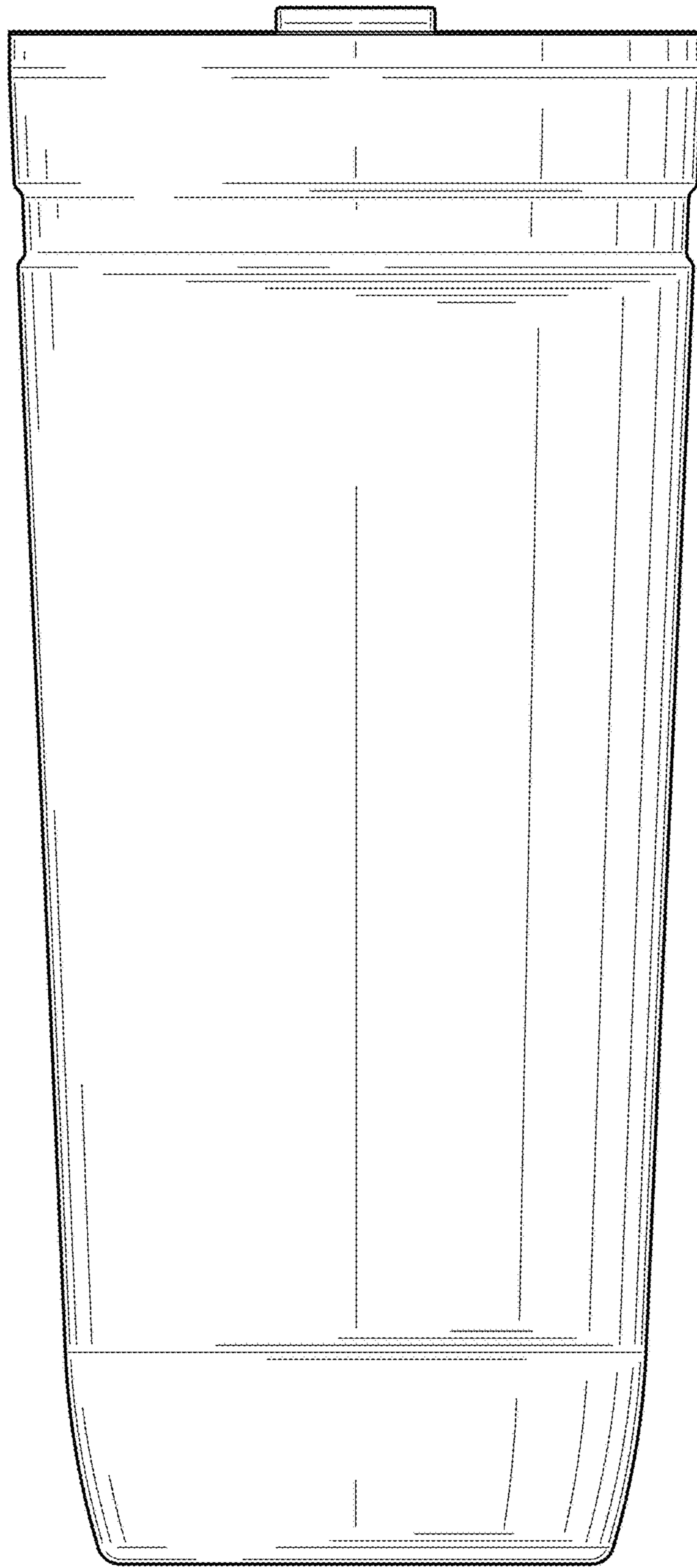


FIG. 3

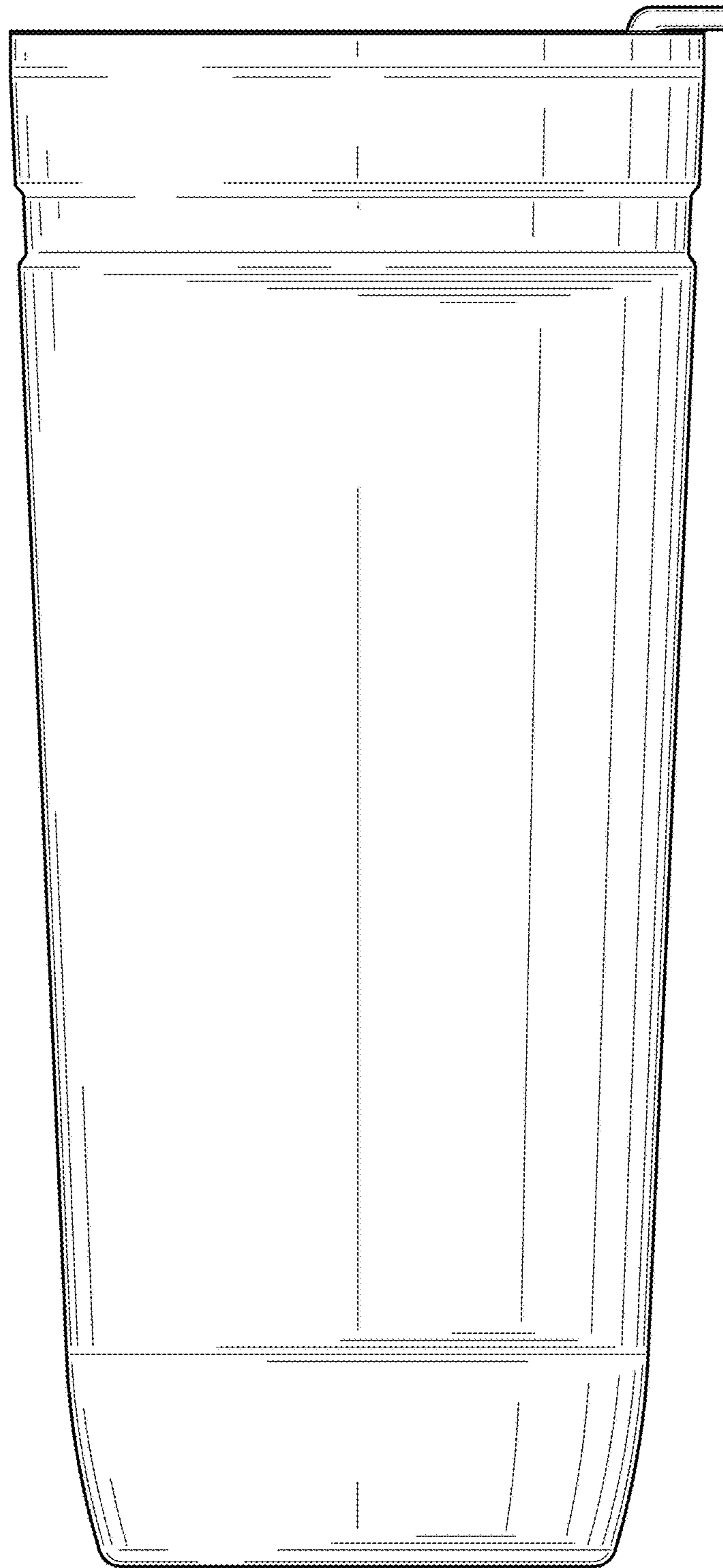


FIG. 4

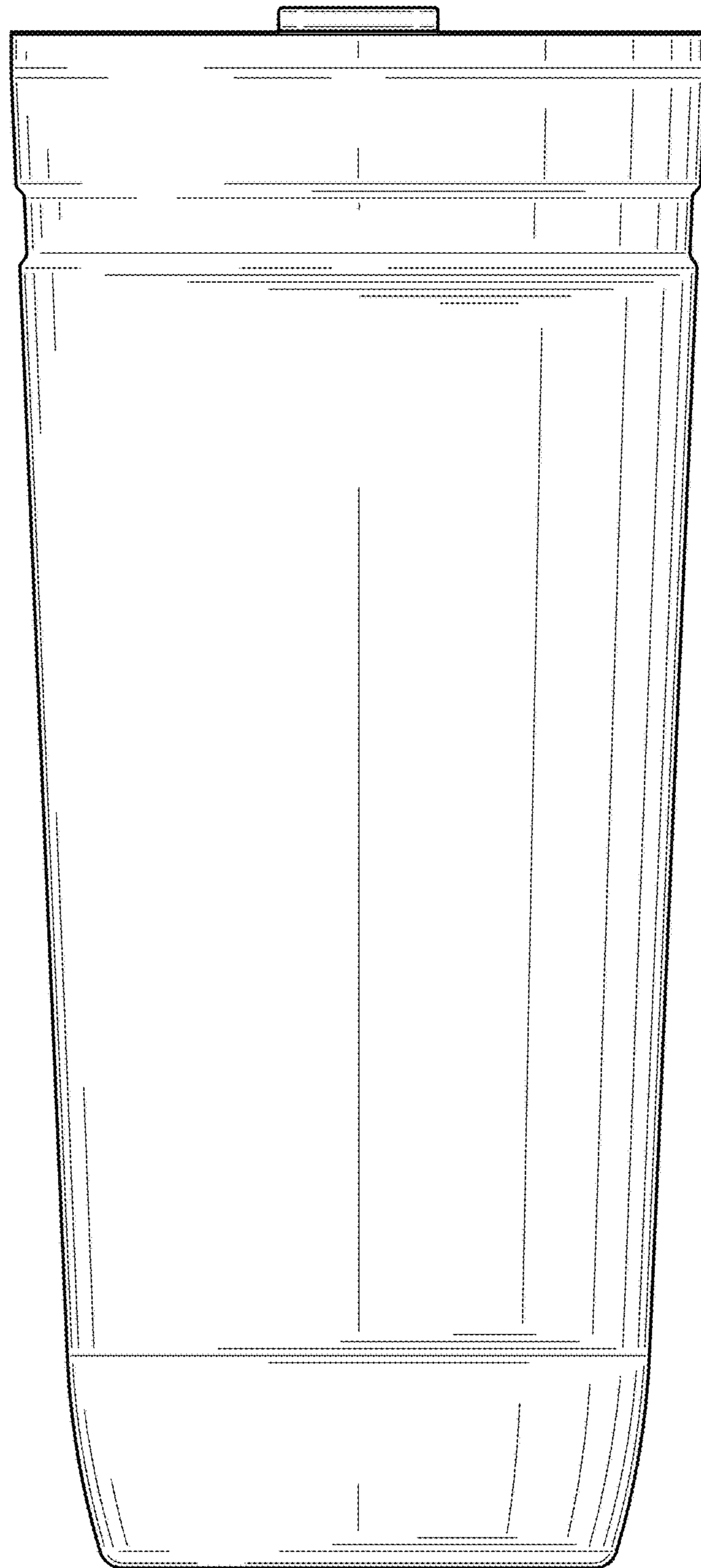


FIG. 5

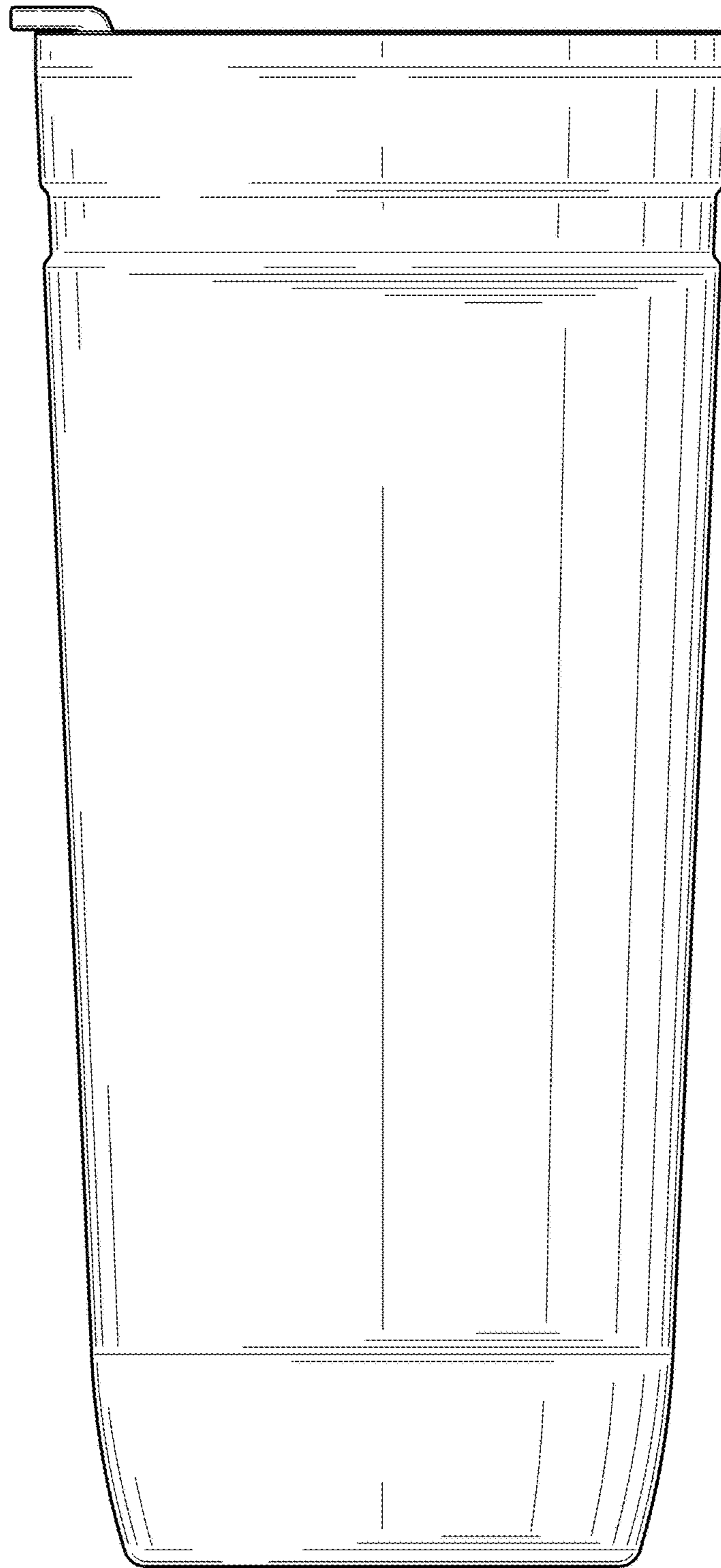


FIG. 6

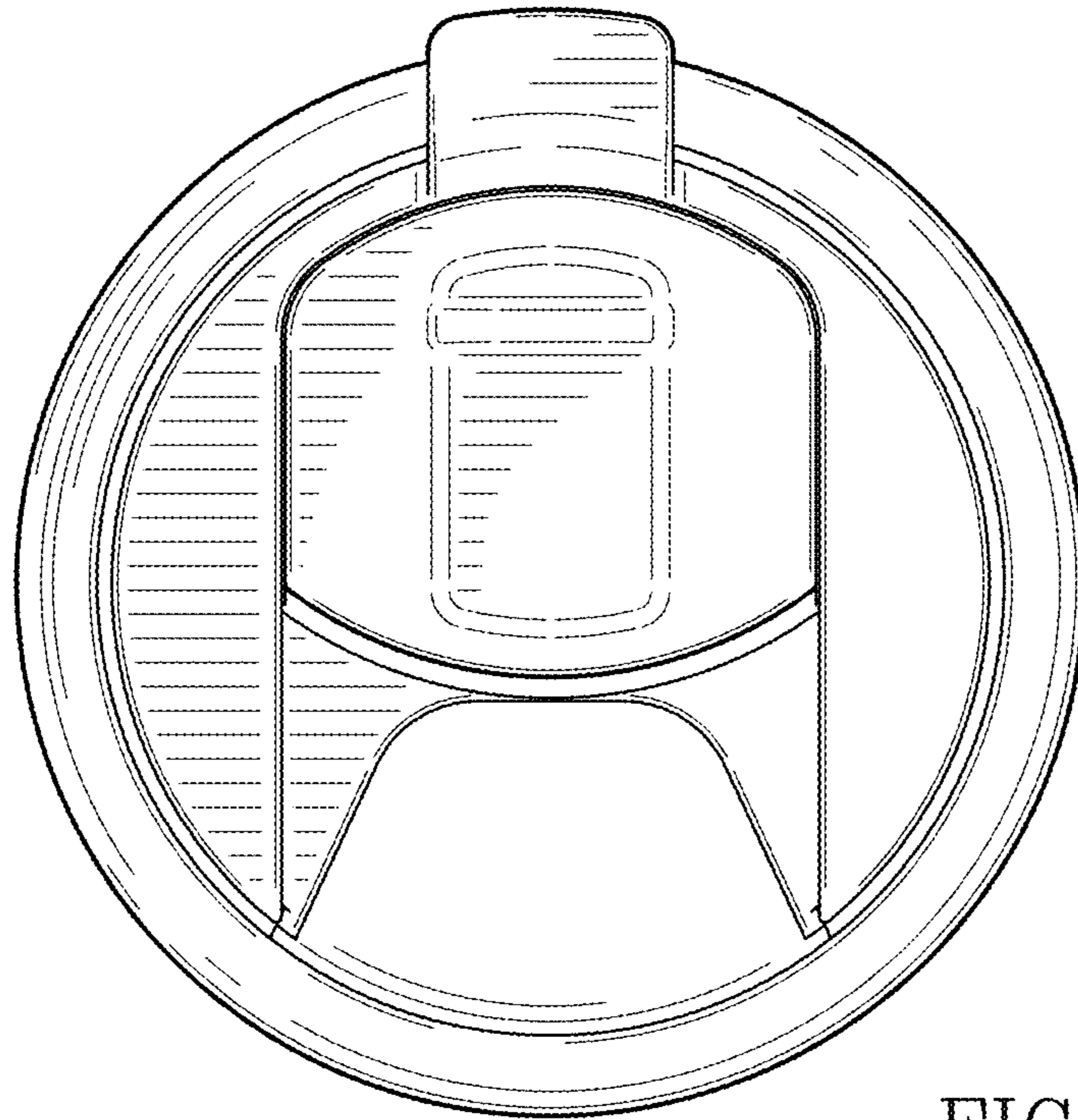


FIG. 7

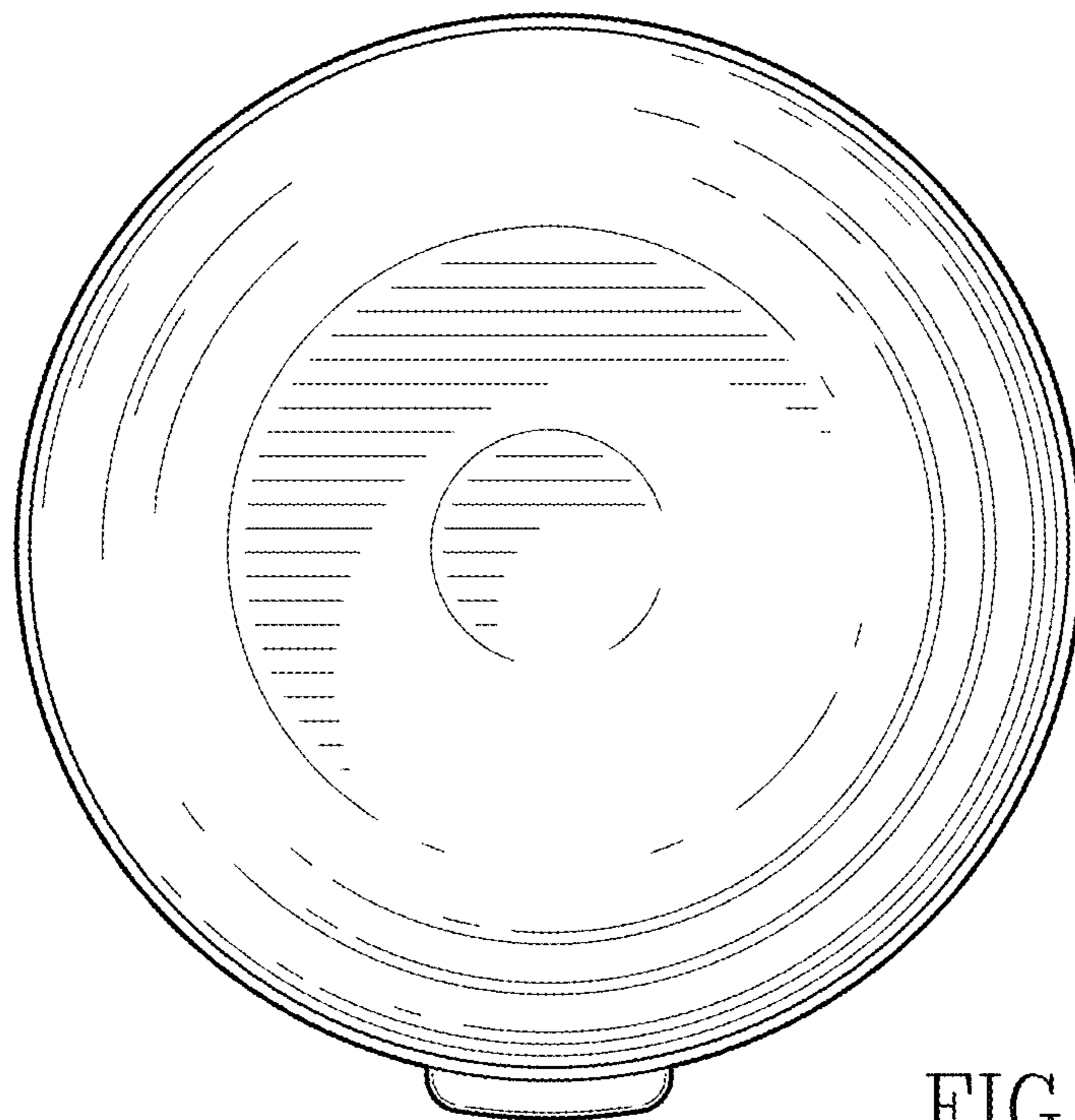


FIG. 8

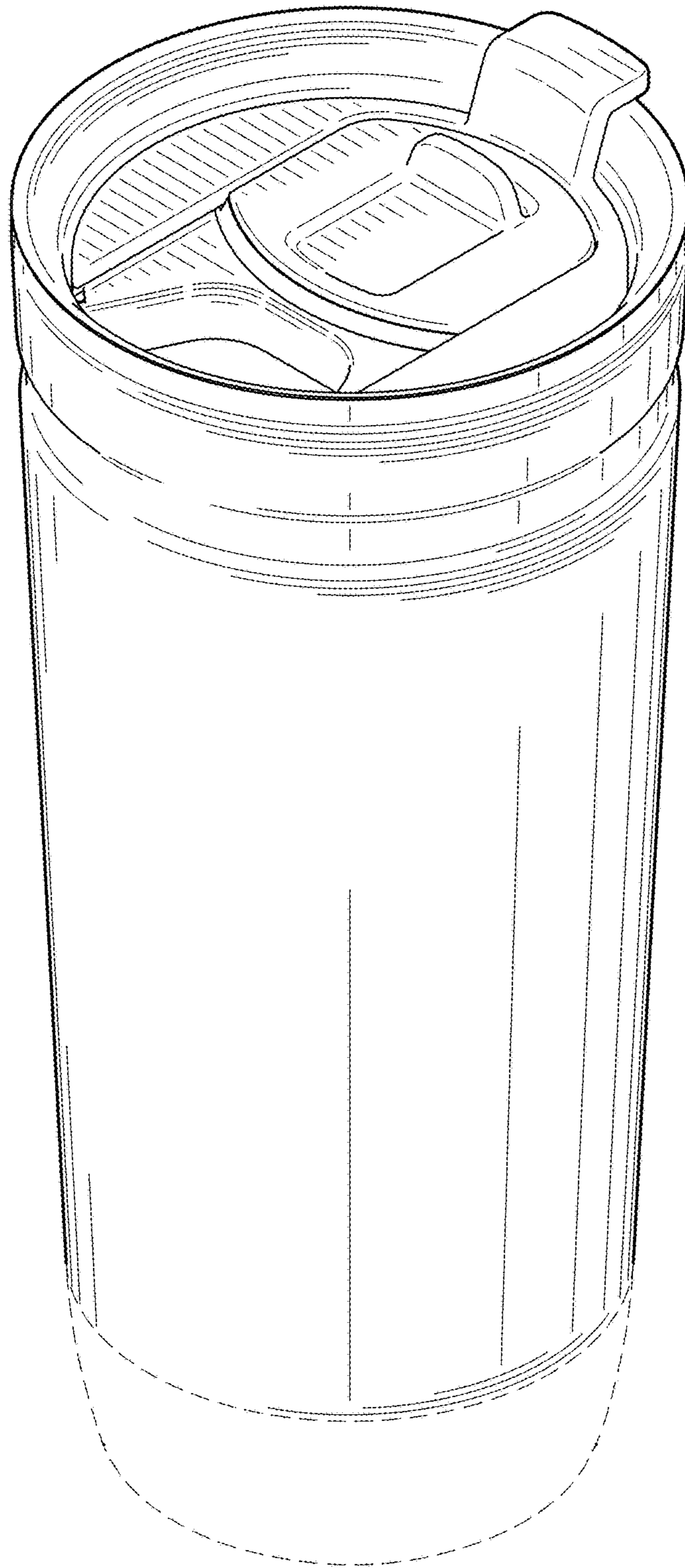


FIG. 9

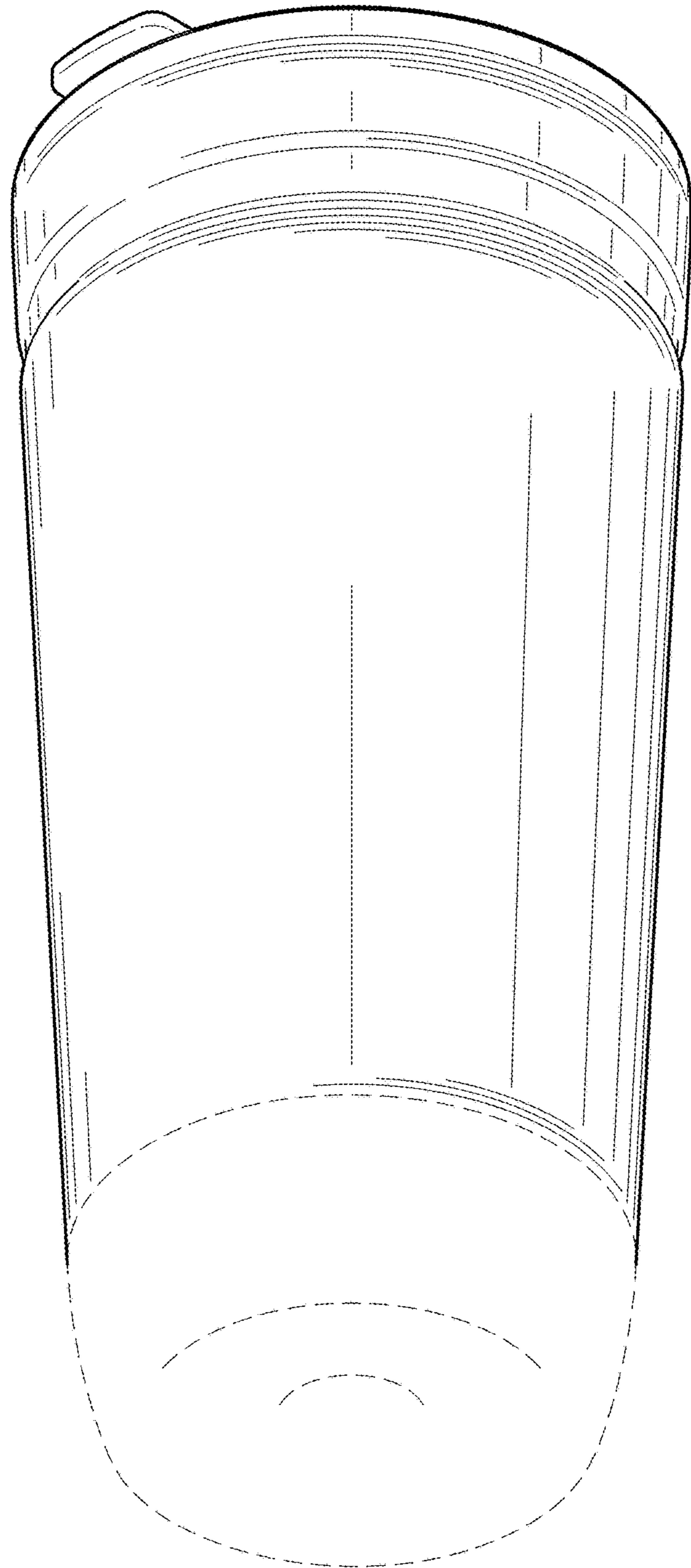


FIG. 10

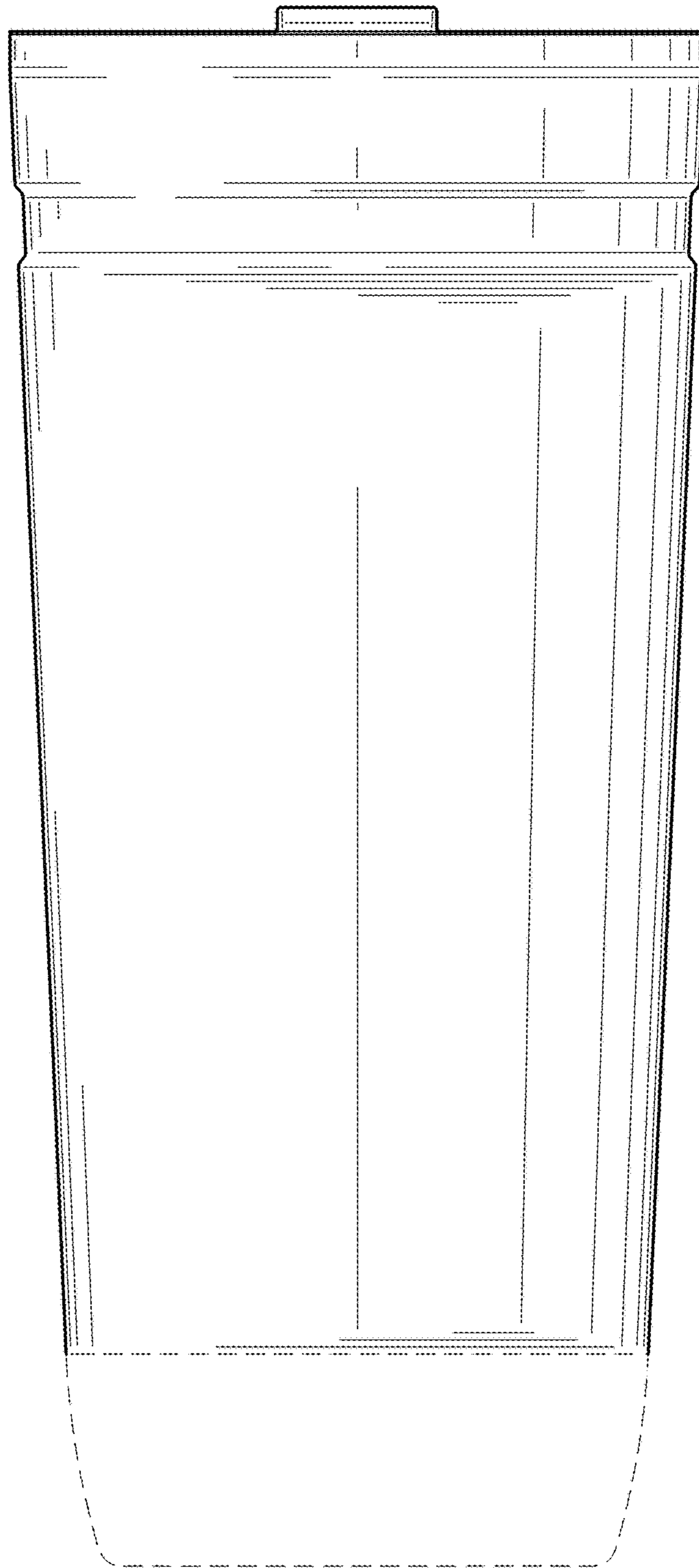


FIG. 11

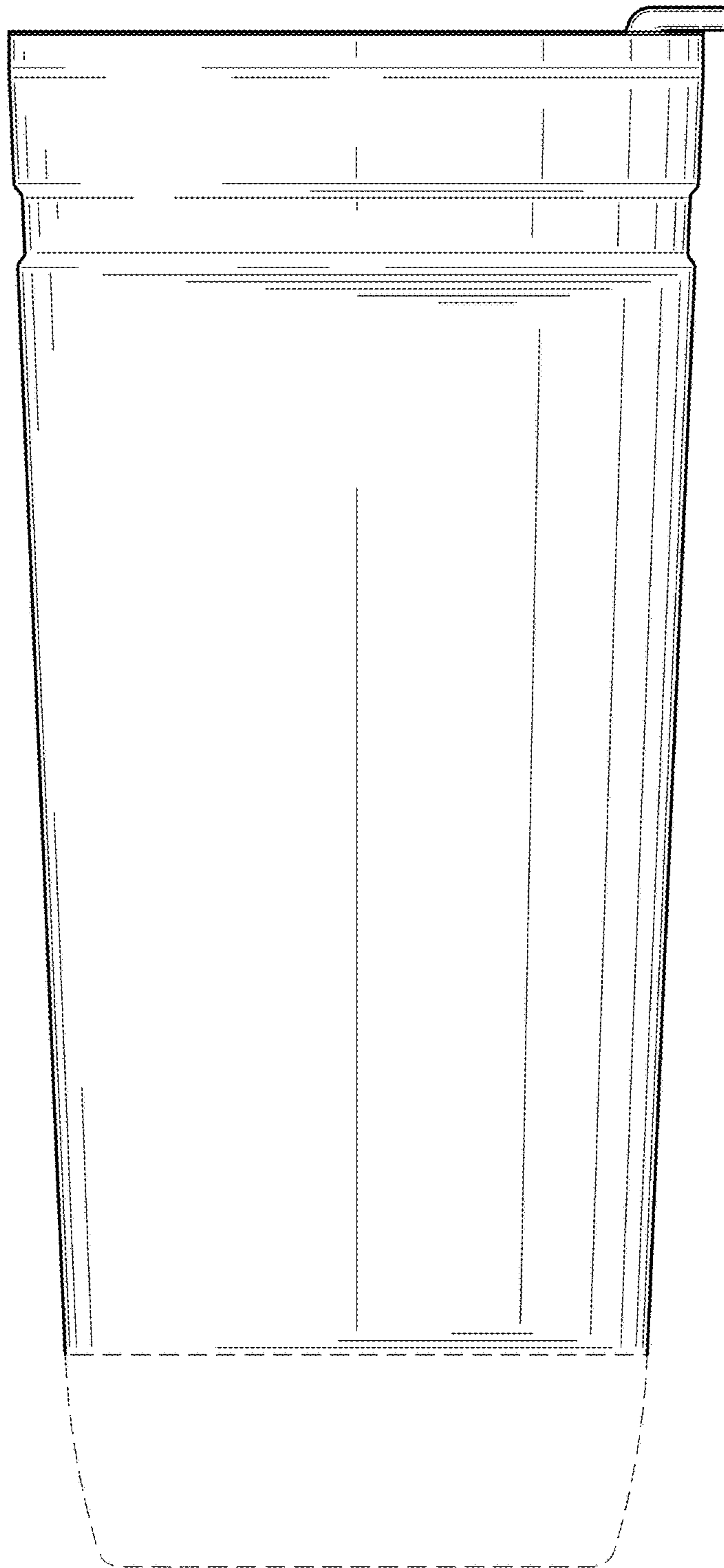


FIG. 12

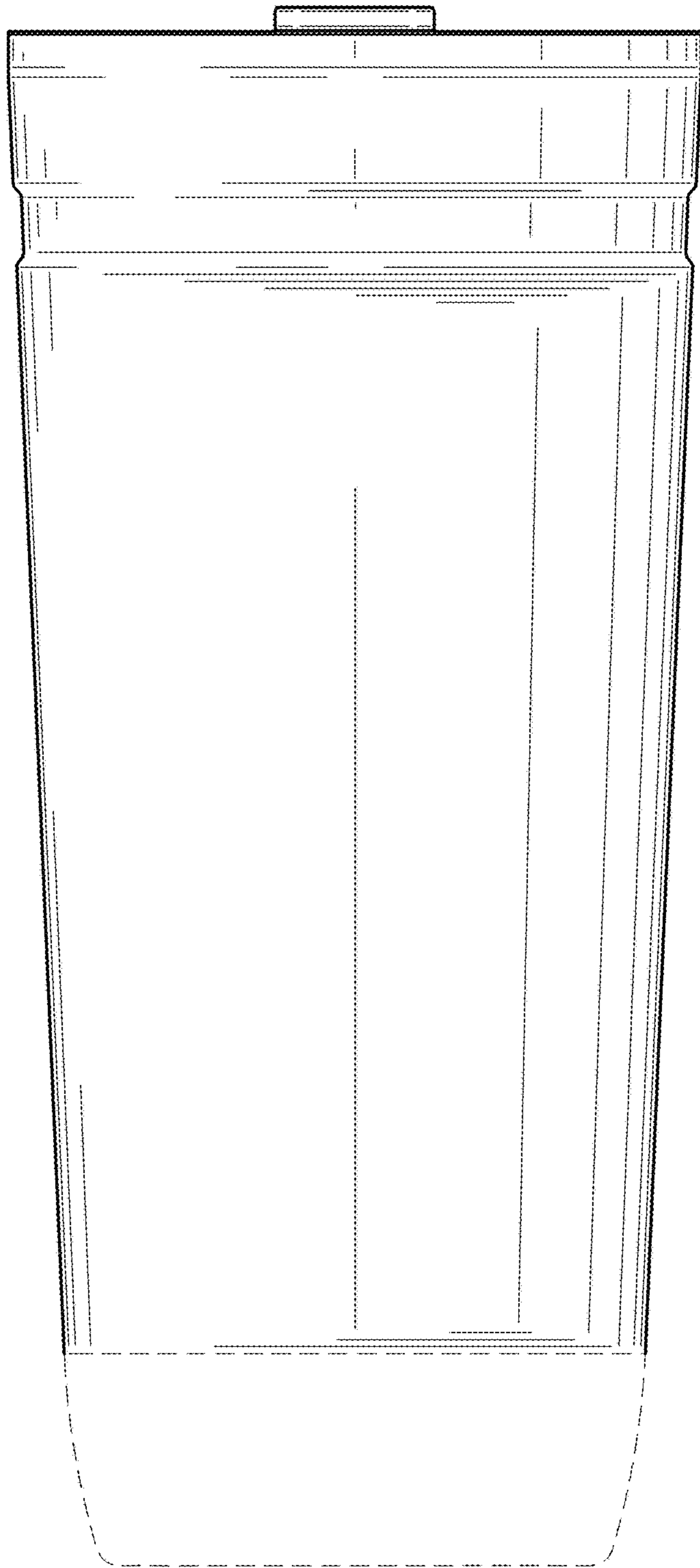


FIG. 13

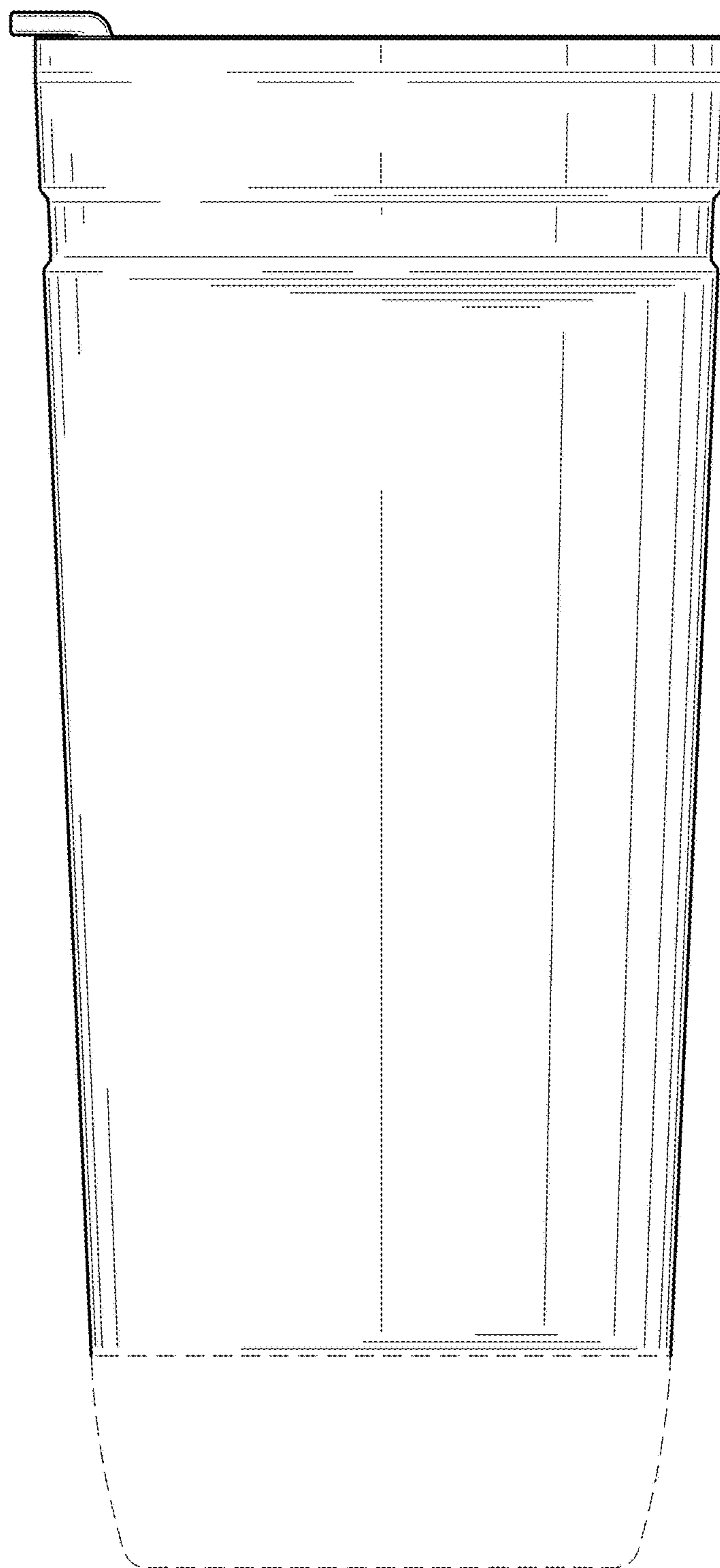


FIG. 14

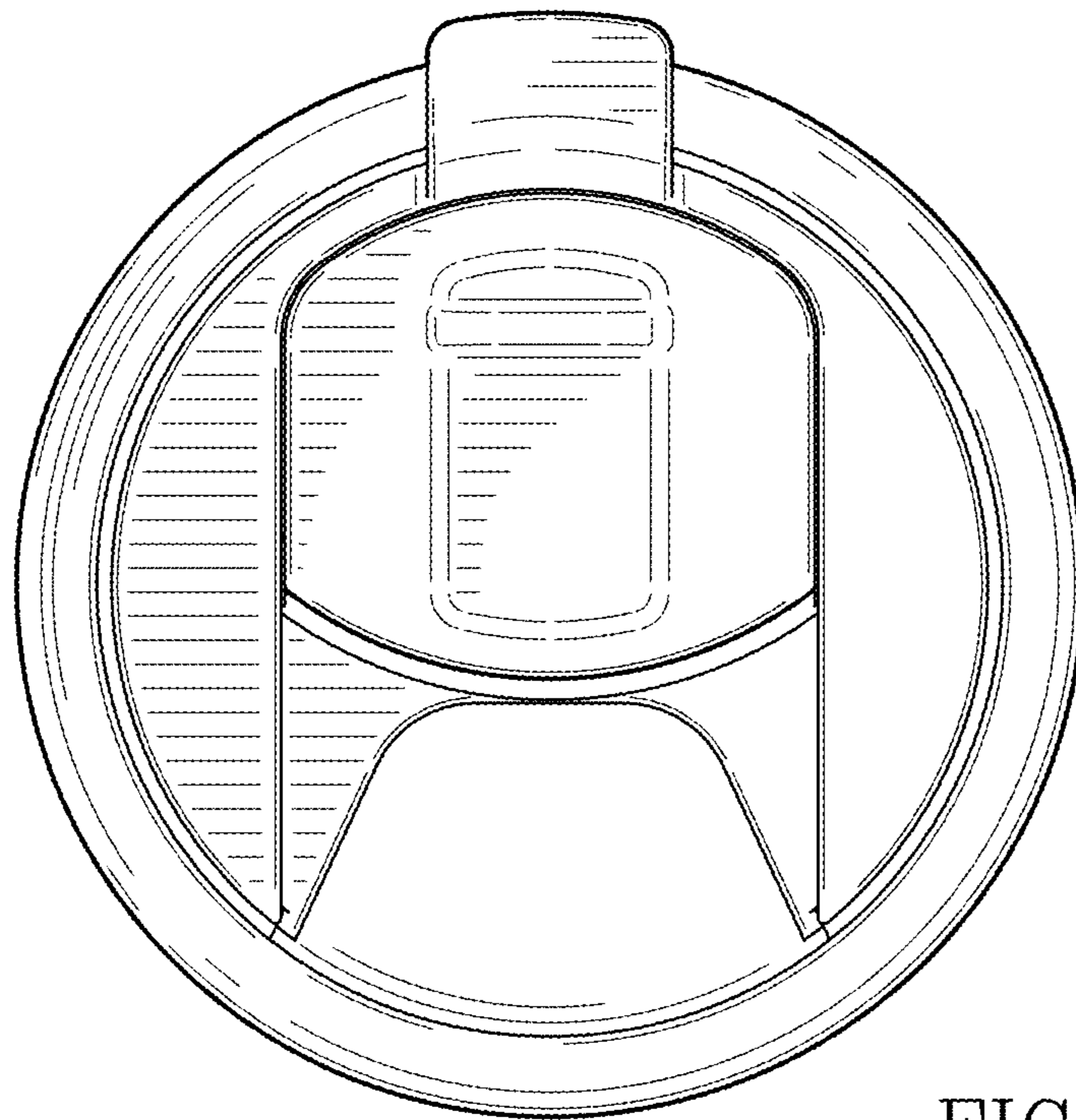


FIG. 15

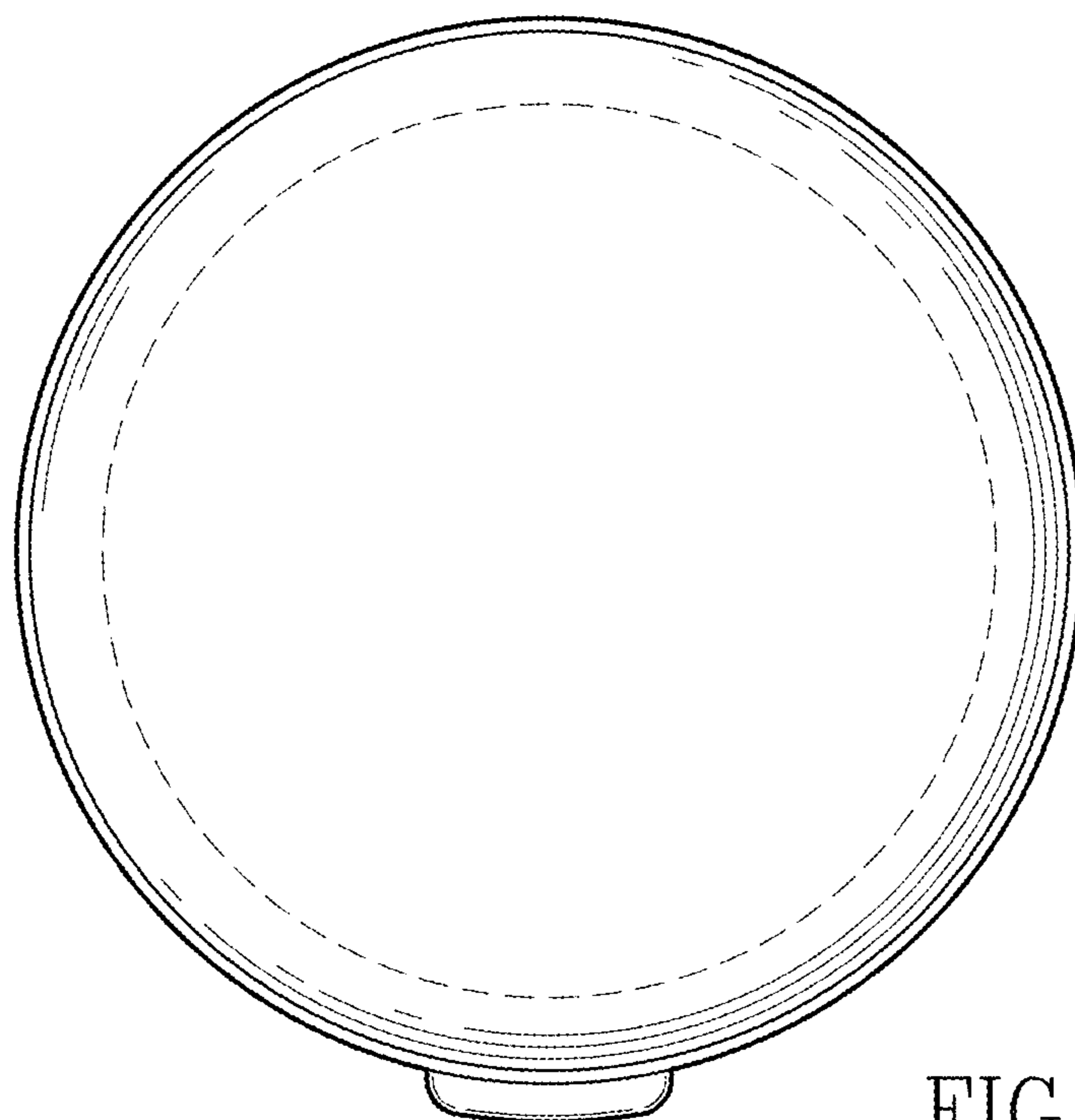


FIG. 16