



US00D817091S

(12) **United States Design Patent** (10) **Patent No.:** **US D817,091 S**
Colston (45) **Date of Patent:** **** May 8, 2018**

(54) **GRILL INTERNAL CHIMNEY**
(71) Applicant: **Traeger Pellet Grills LLC**,
Wilsonville, OR (US)
(72) Inventor: **Michael Colston**, Salt Lake City, UT
(US)
(73) Assignee: **Traeger Pellet Grills, LLC**, Salt Lake
City, UT (US)
(**) Term: **15 Years**
(21) Appl. No.: **29/539,832**
(22) Filed: **Sep. 17, 2015**
(51) **LOC (11) Cl.** **07-99**
(52) **U.S. Cl.**
USPC **D7/407**
(58) **Field of Classification Search**
USPC D7/332-337, 402-411, 352, 353, 393;
126/152 R, 25 R; D6/549, 523, 524;
D23/304; D15/89; D32/3
CPC .. A47J 37/067; A47J 37/0694; A47J 37/0786;
A47J 37/0704; A47J 37/0713; A47J
37/0781; A47J 37/0777; A47J 37/0763;
A47J 37/0611; A47J 37/0709; A47J
37/0676; A47J 37/0754; F24C 15/16;
F24C 15/2014
See application file for complete search history.

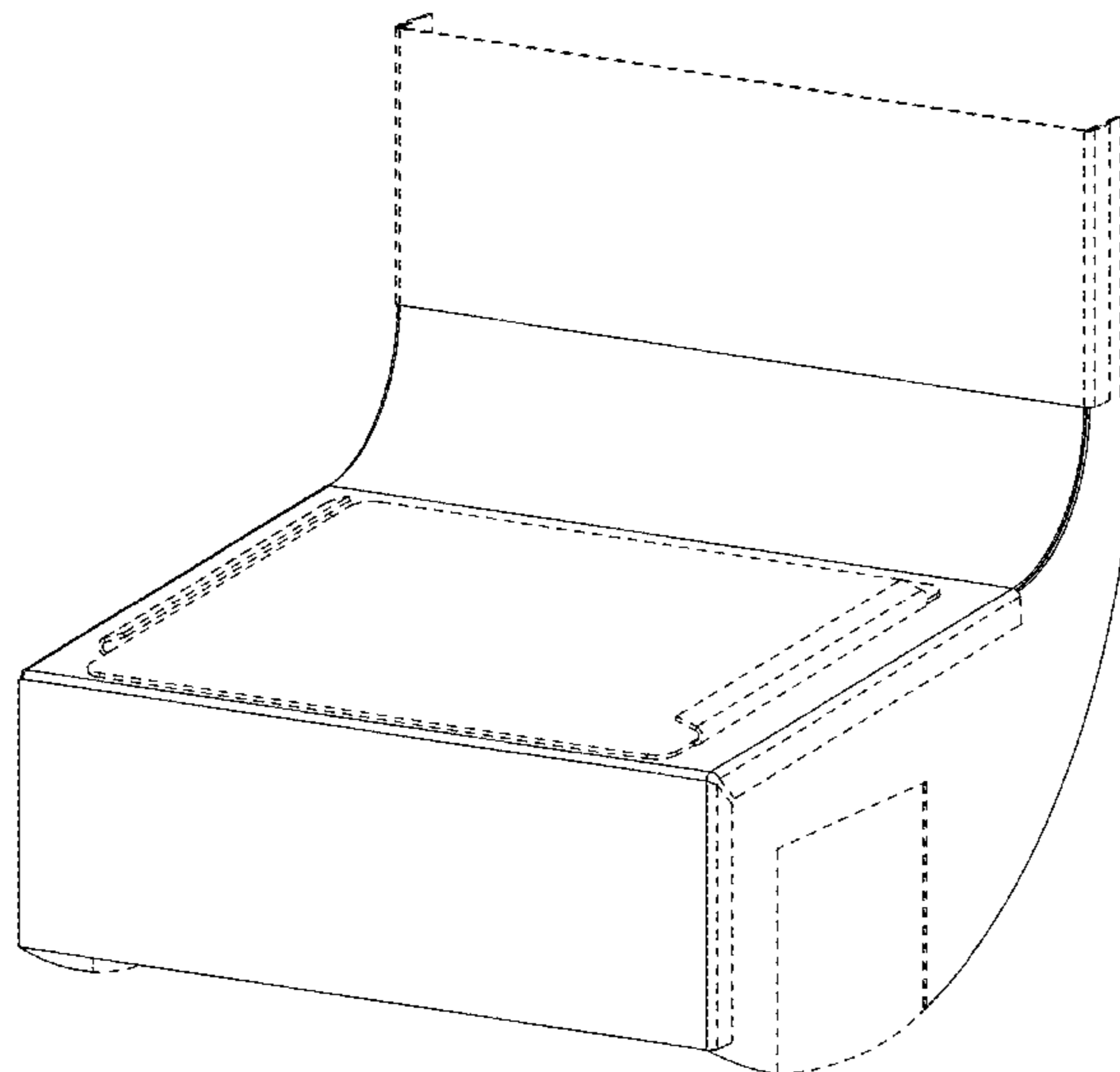
(56) **References Cited**
U.S. PATENT DOCUMENTS
2,933,080 A * 4/1960 Adey A47J 37/0704
126/25 R
4,291,668 A * 9/1981 Moeller F24C 15/2042
126/299 R
4,457,293 A * 7/1984 Berlik F24C 15/2042
126/214 R

5,000,160 A * 3/1991 Dunlop F24C 15/2042
126/299 D
D786,013 S * 5/2017 Rogers D7/402
2017/0238761 A1* 8/2017 Jungmeyer A47J 37/0754
* cited by examiner
Primary Examiner — Susan Bennett Hattan
Assistant Examiner — Brett Miller
(74) *Attorney, Agent, or Firm* — Workman Nydegger

(57) **CLAIM**
The ornamental design for a grill internal chimney, as shown
and described.

DESCRIPTION
FIG. 1 is a top, left perspective view of my new design for
a grill internal chimney shown in a grilling environment;
FIG. 2 is a top, right perspective view thereof;
FIG. 3 is a front, right perspective view thereof;
FIG. 4 is a rear, left perspective view thereof;
FIG. 5 is a top plan view thereof;
FIG. 6 is a bottom plan view thereof;
FIG. 7 is a front elevation view thereof;
FIG. 8 is a rear elevation view thereof;
FIG. 9 is a right side elevation view thereof;
FIG. 10 is a left side elevation view thereof;
FIG. 11 is a front, right perspective view of another embodi-
ment of my new design for a grill internal chimney;
FIG. 12 is a rear, left perspective view thereof;
FIG. 13 is a top plan view thereof;
FIG. 14 is a bottom plan view thereof;
FIG. 15 is a front elevation view thereof;
FIG. 16 is a rear elevation view thereof;
FIG. 17 is a right side elevation view thereof; and,
FIG. 18 is a left side elevation view thereof.
The broken lines in the drawings depict environmental
subject matter only and form no part of the claimed design.

1 Claim, 18 Drawing Sheets



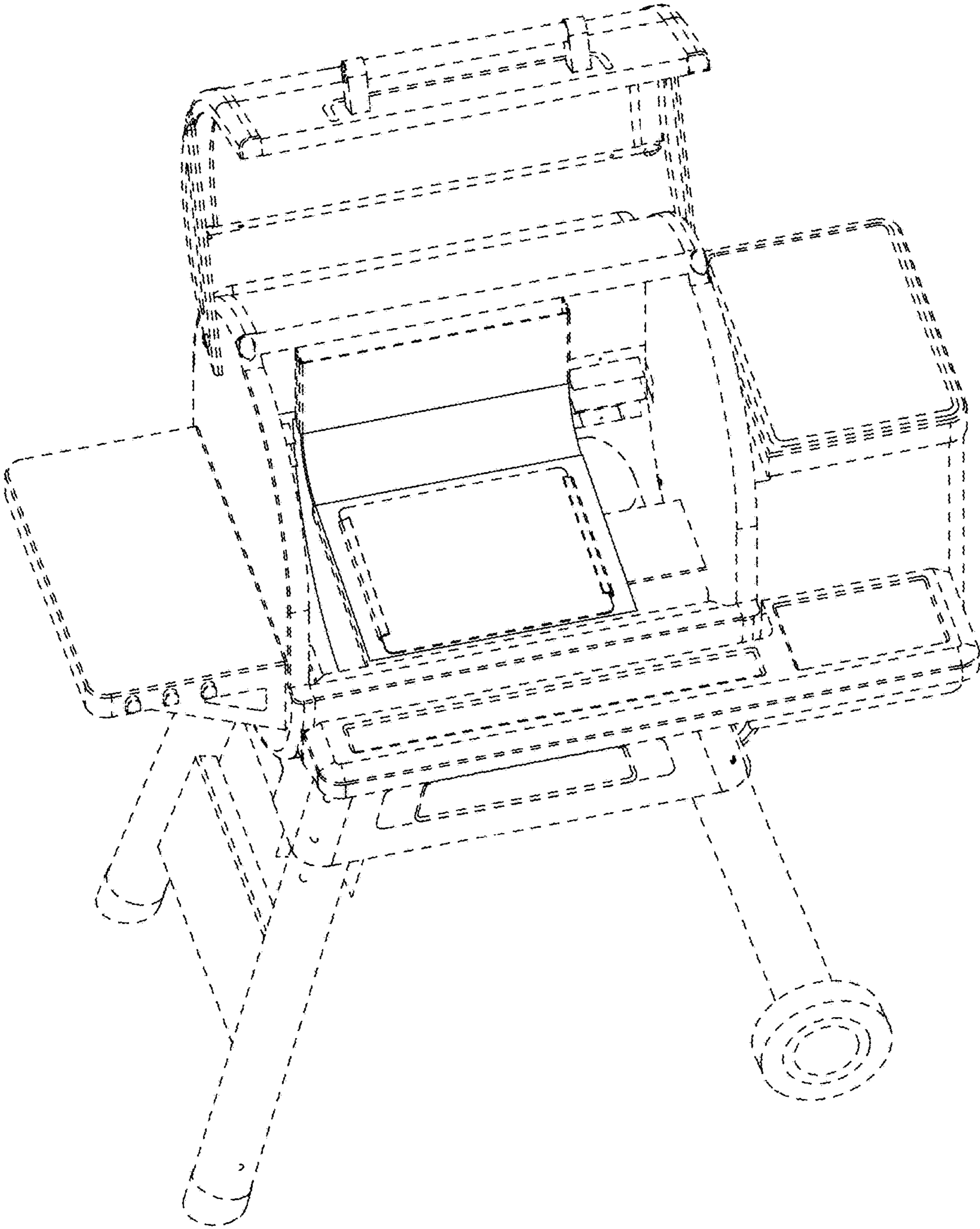


FIG. 1

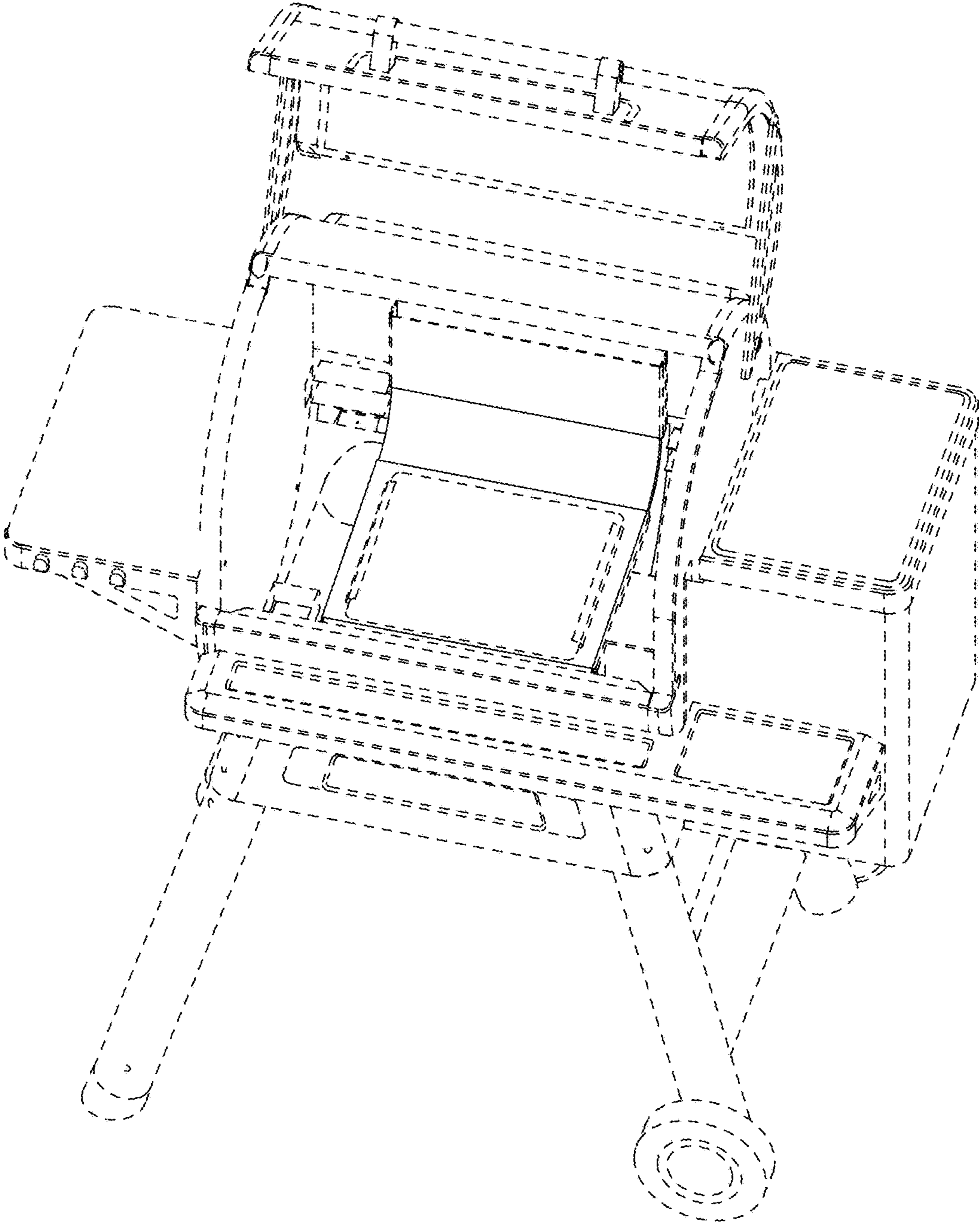


FIG. 2

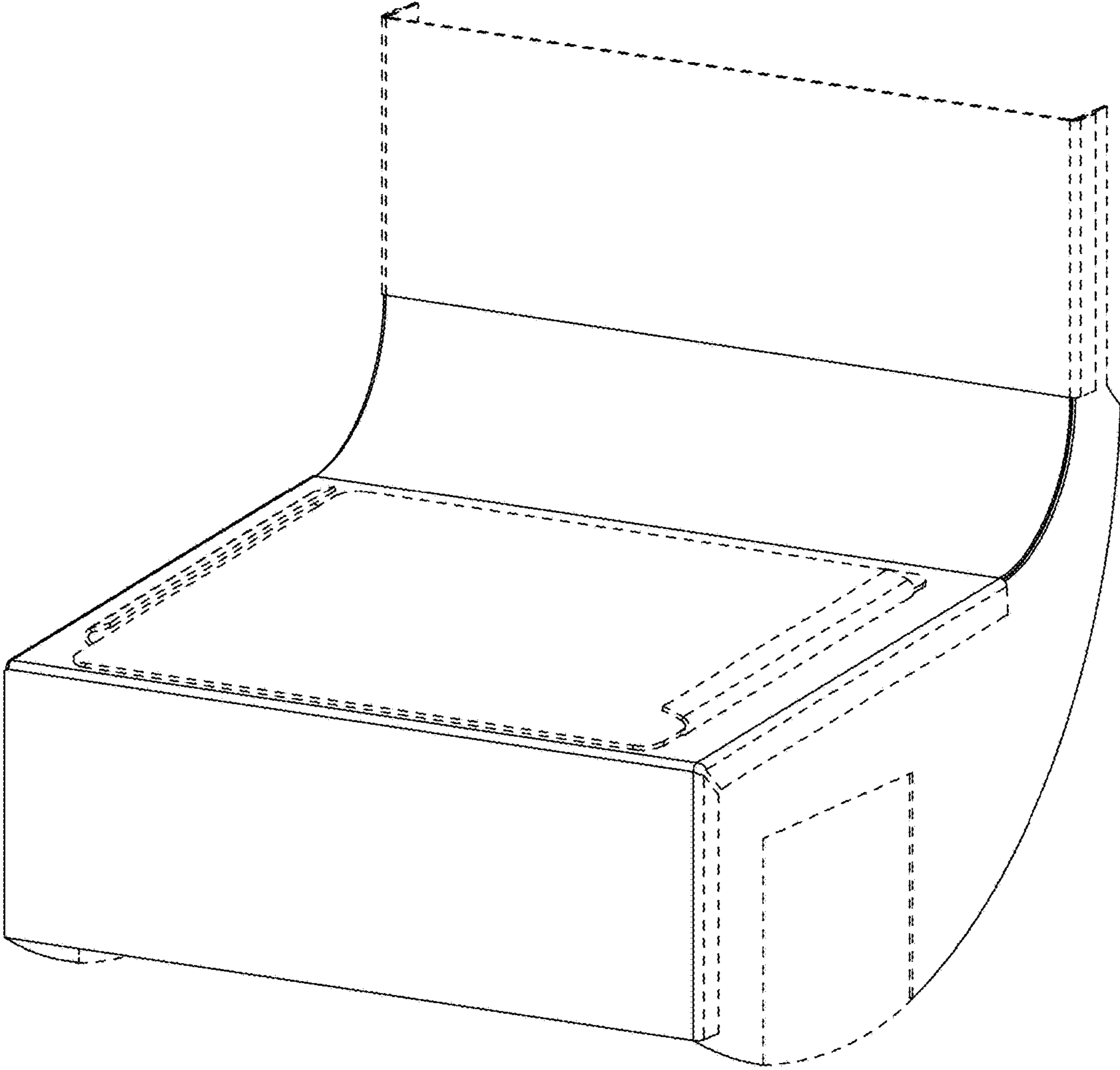


FIG. 3

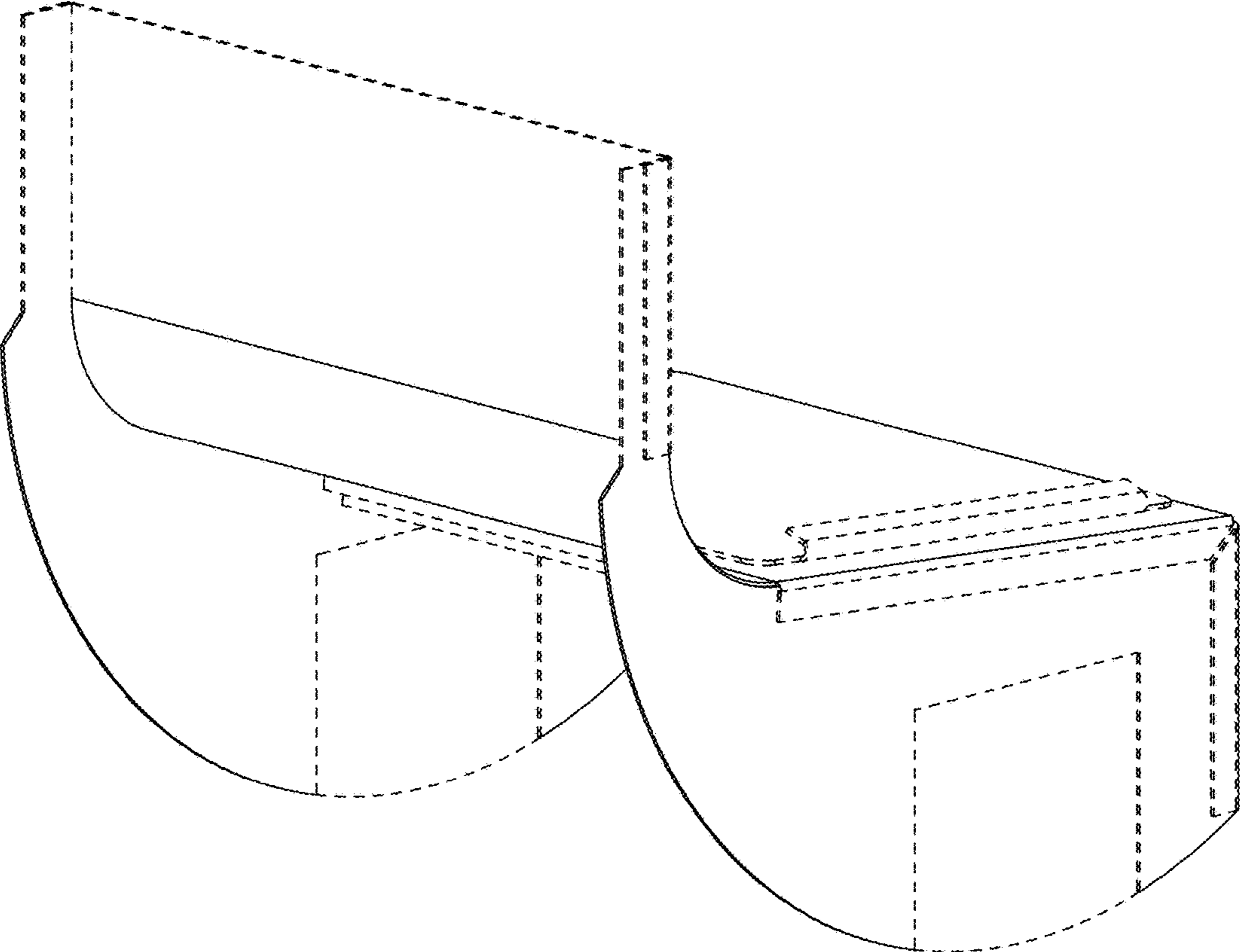


FIG. 4

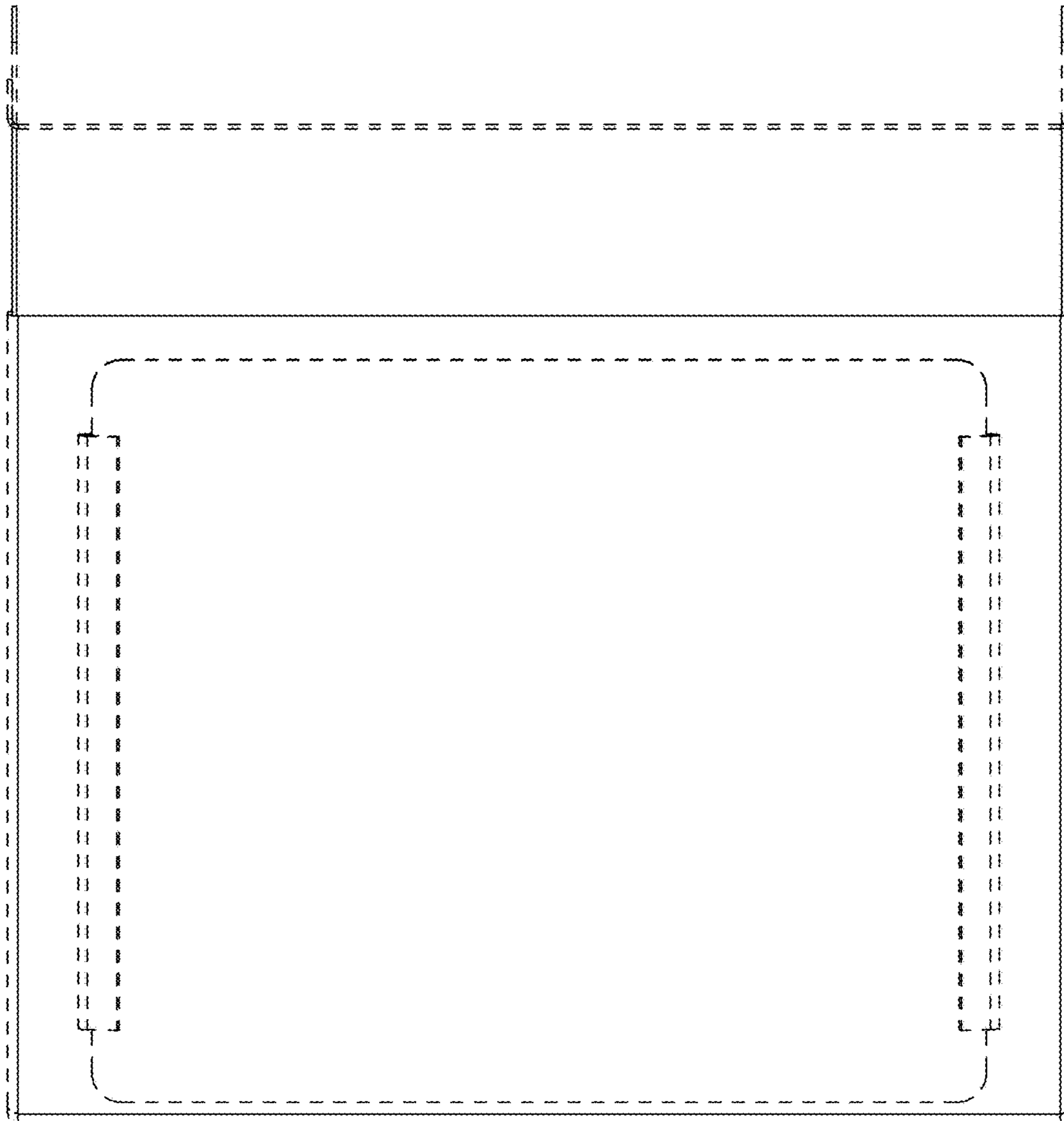


FIG. 5

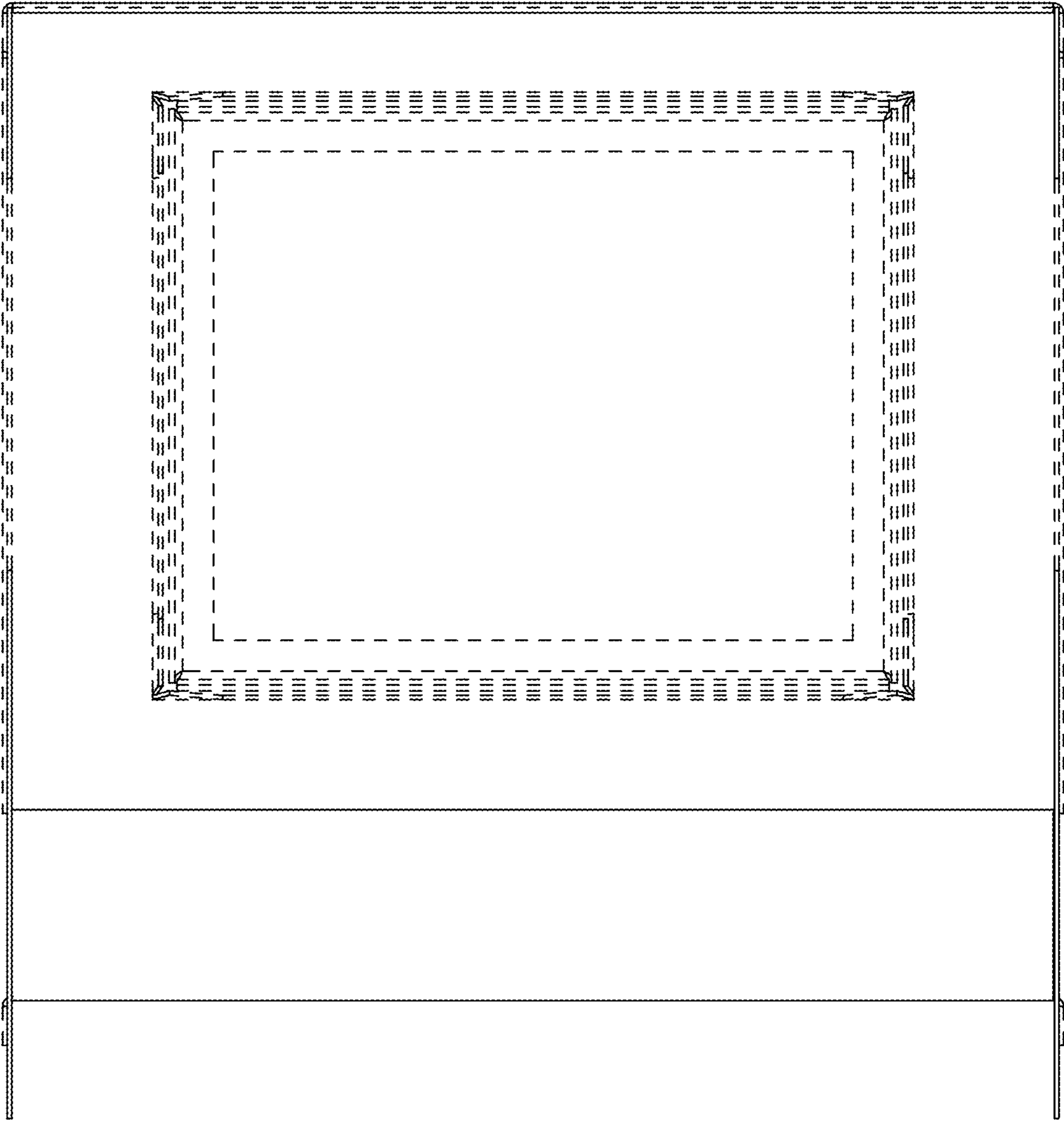


FIG. 6

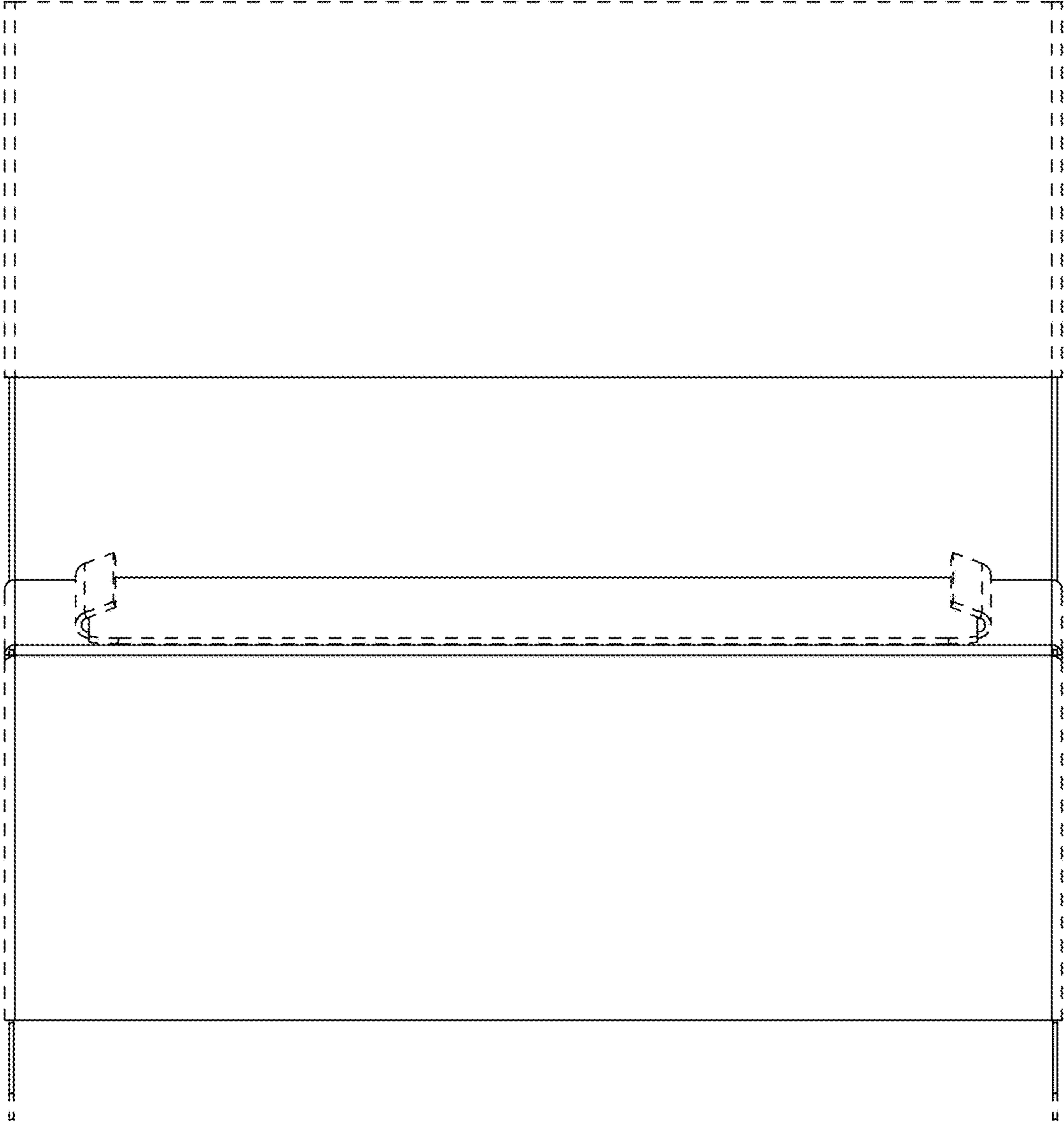


FIG. 7

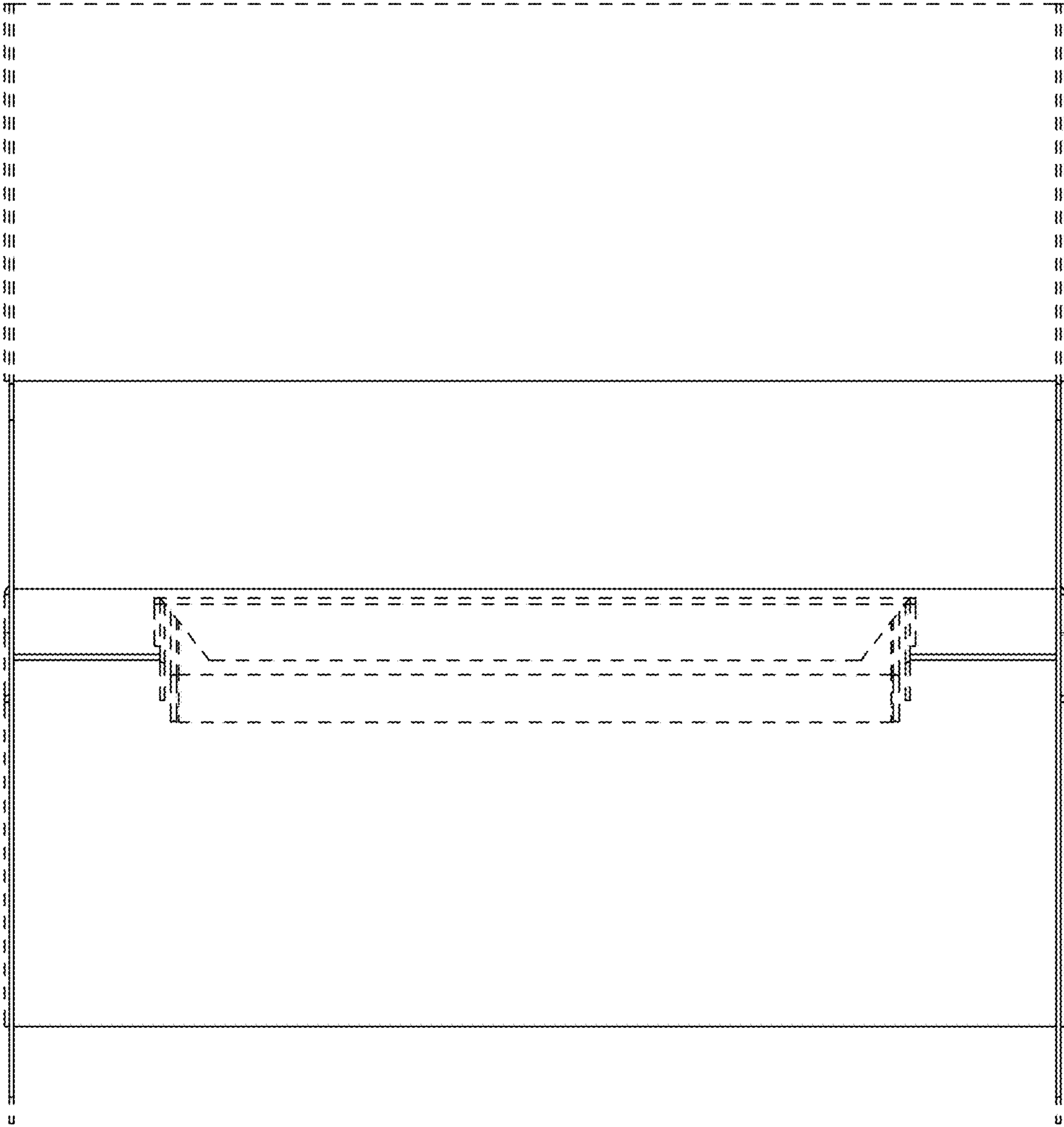


FIG. 8

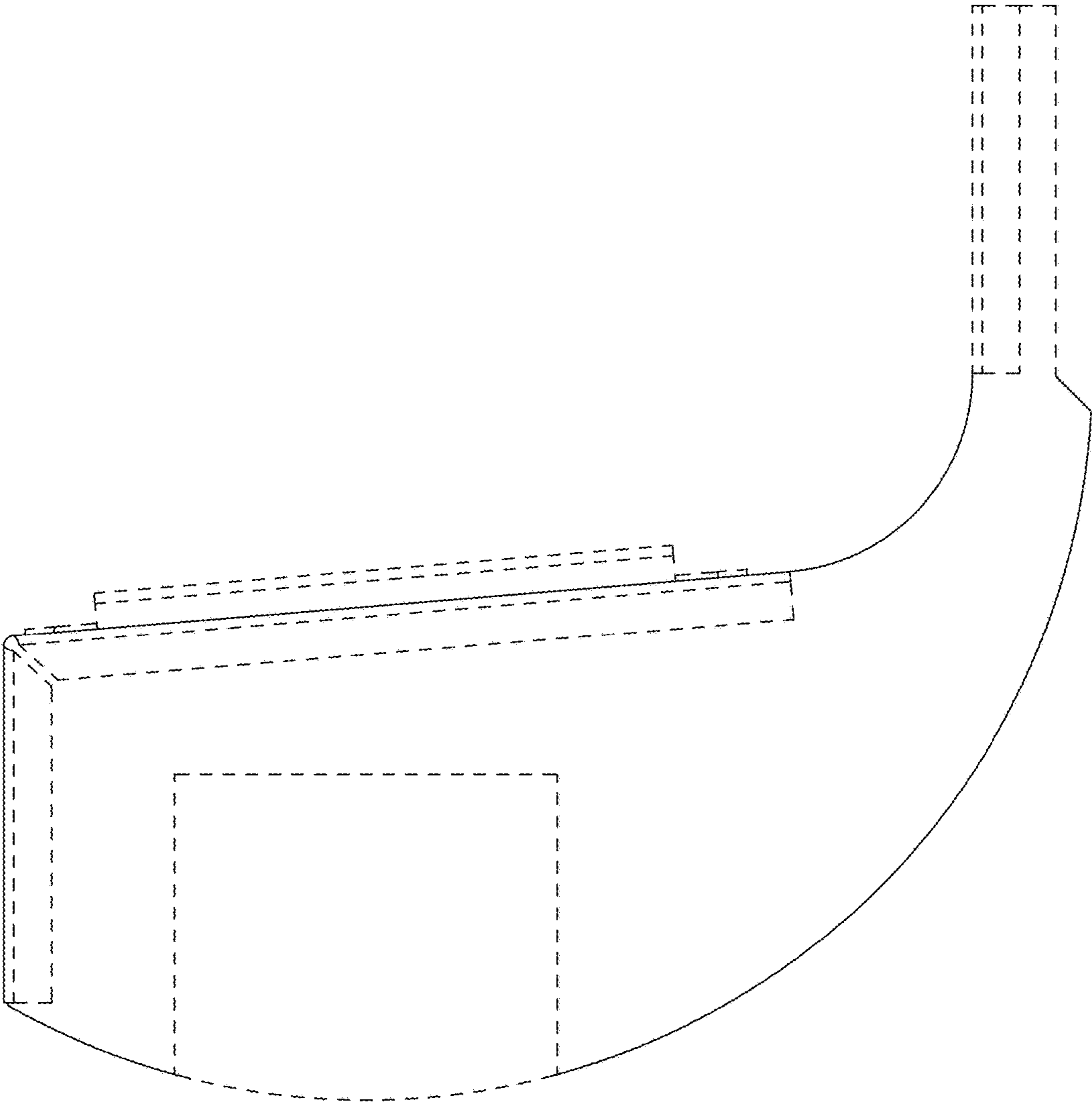


FIG. 9

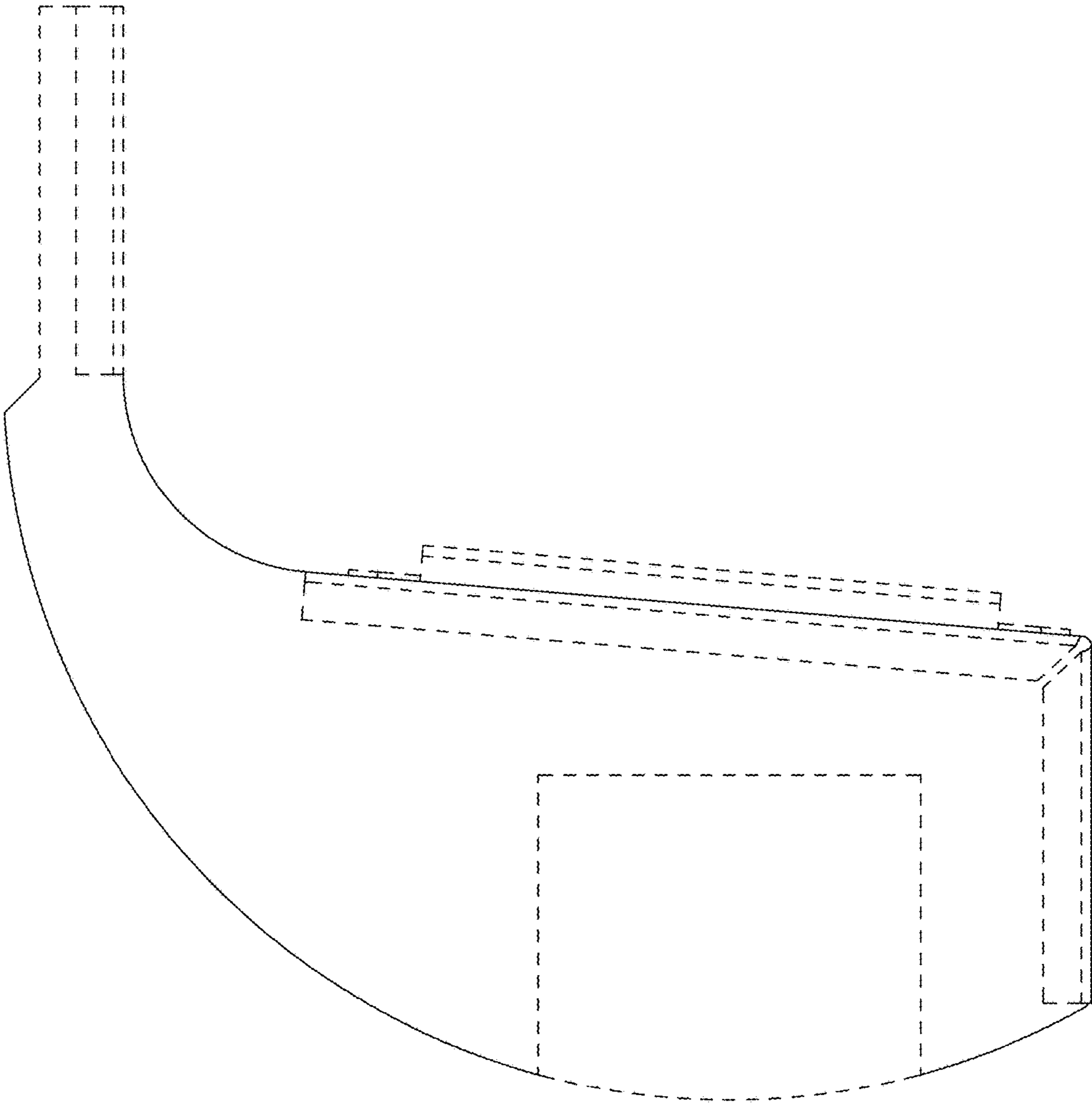


FIG. 10

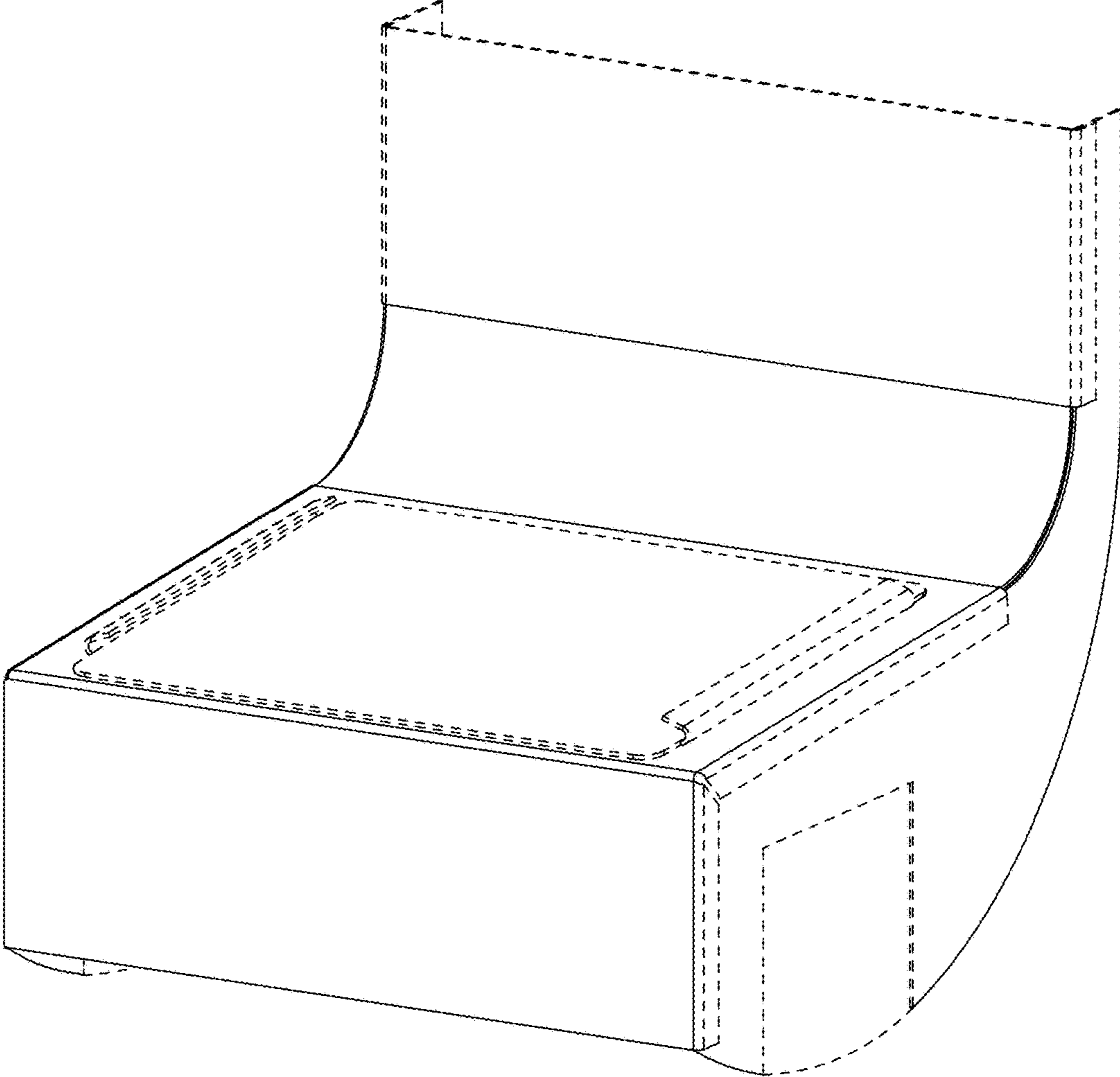


FIG. 11

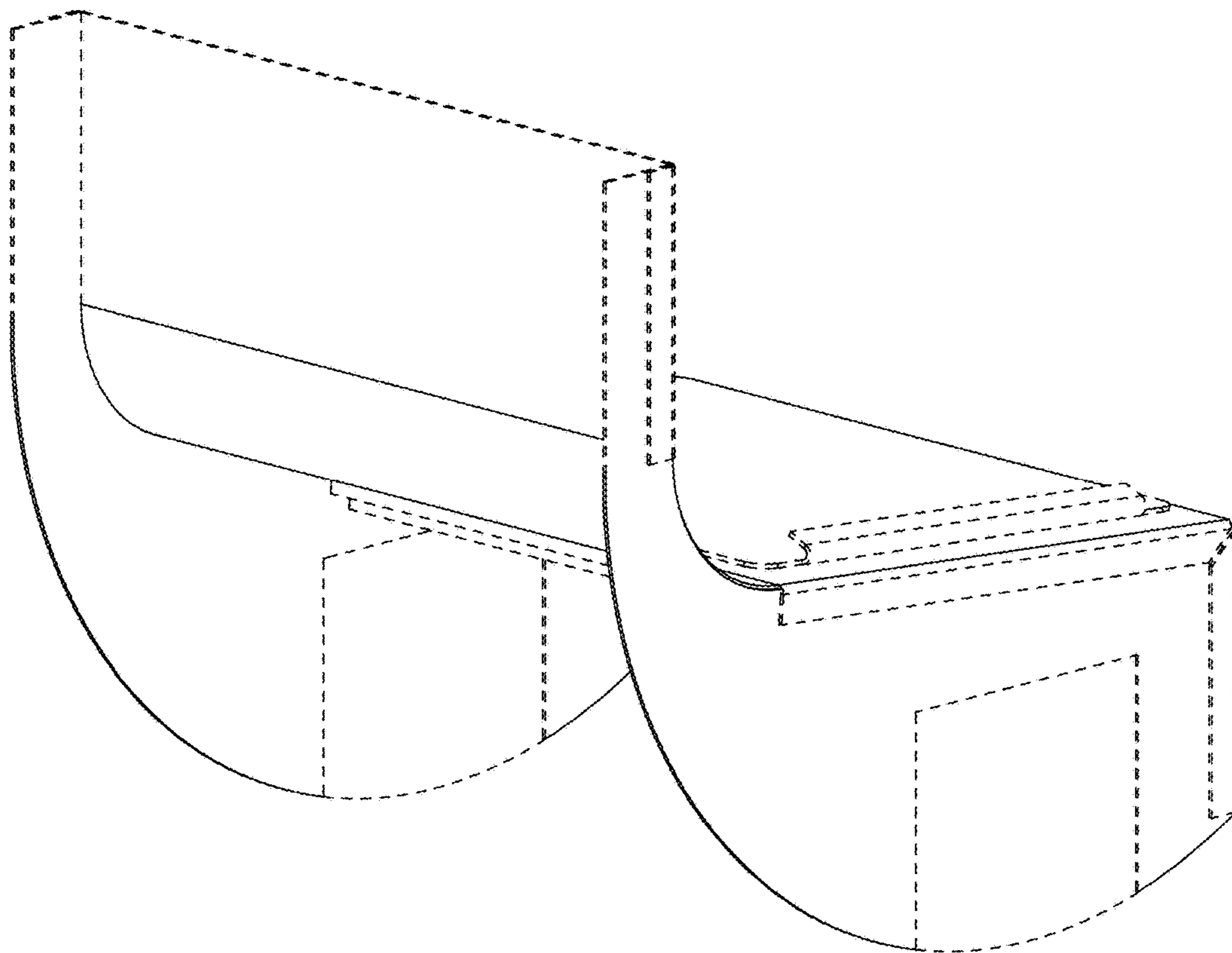


FIG. 12

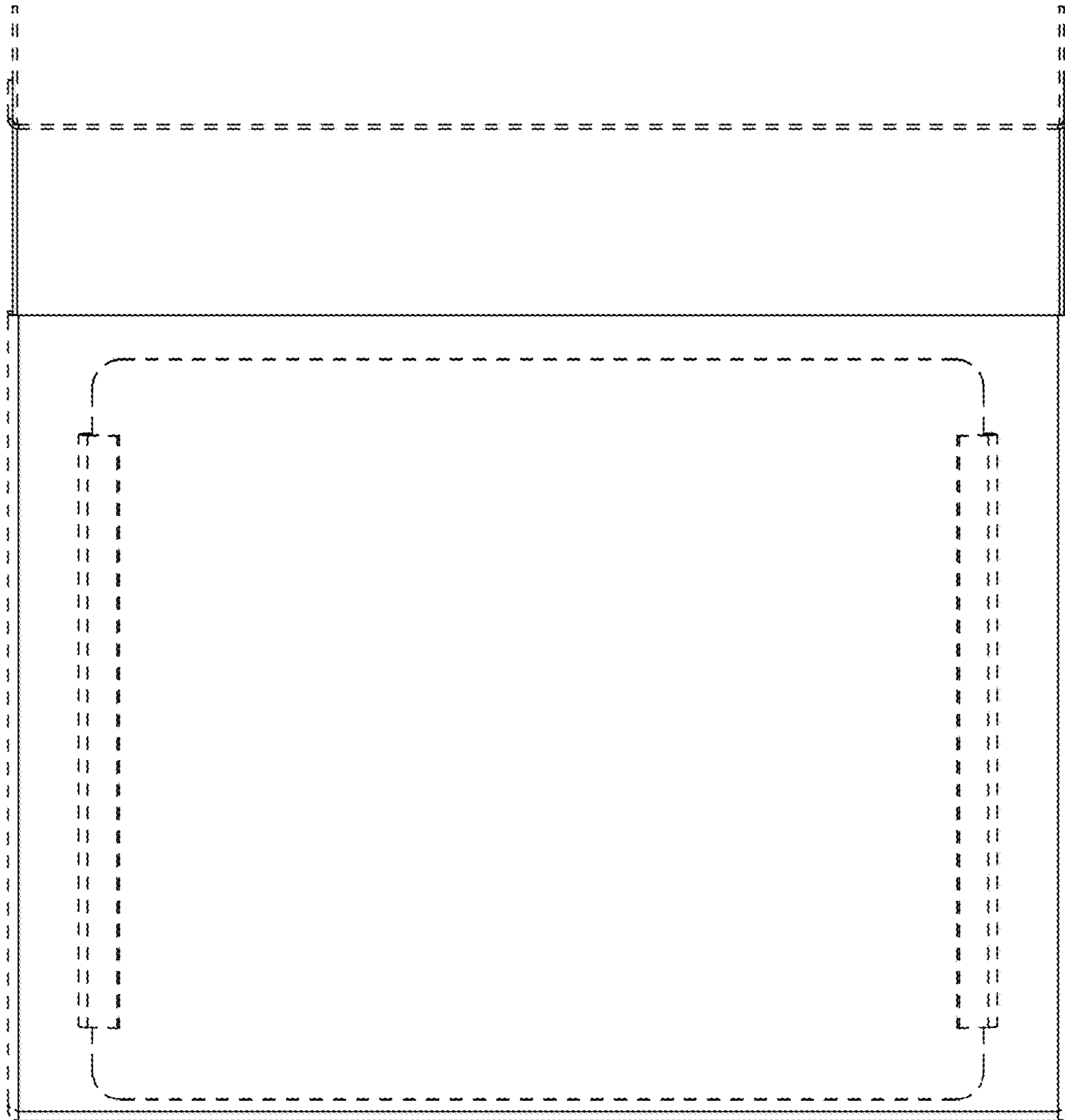


FIG. 13

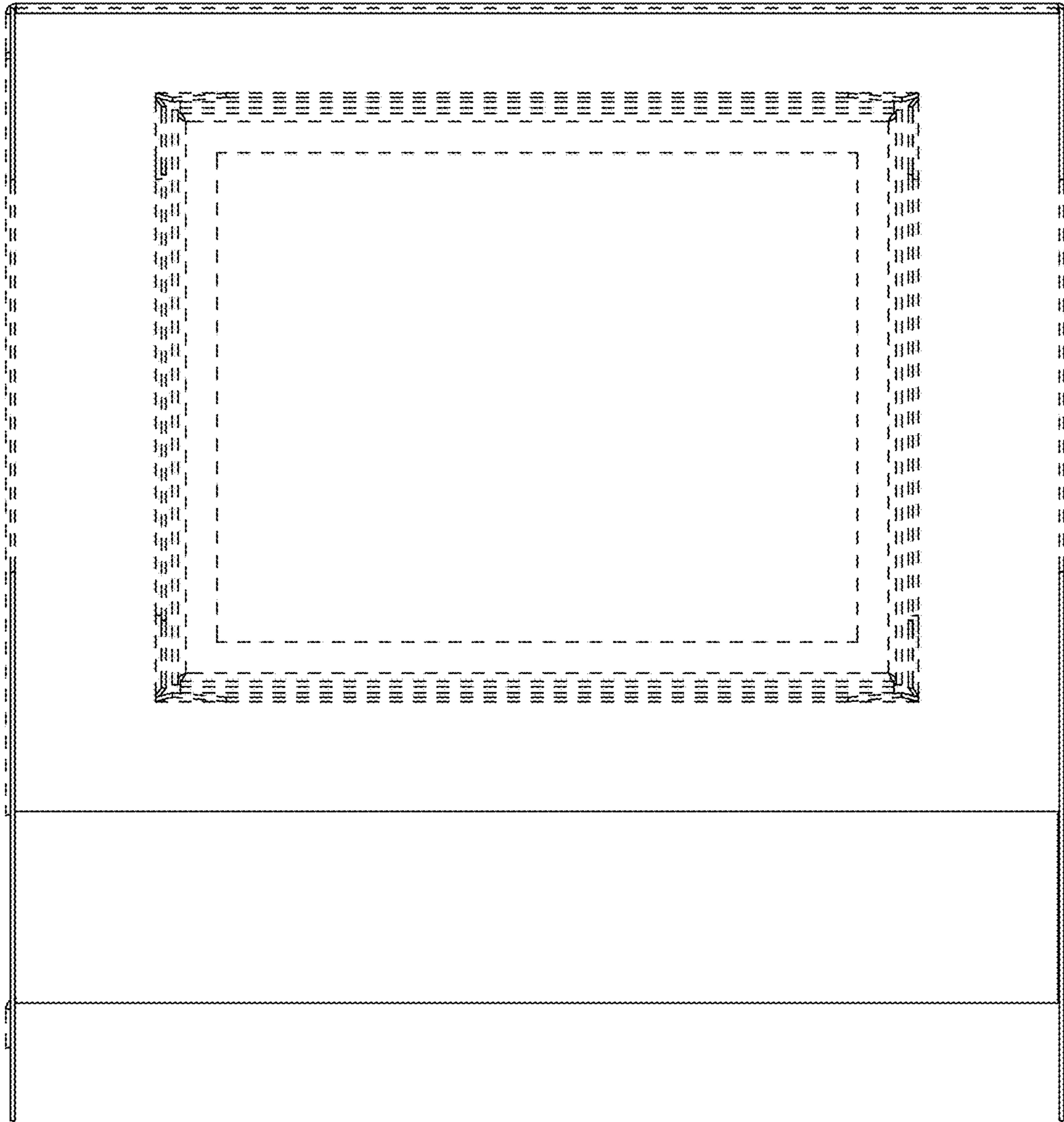


FIG. 14

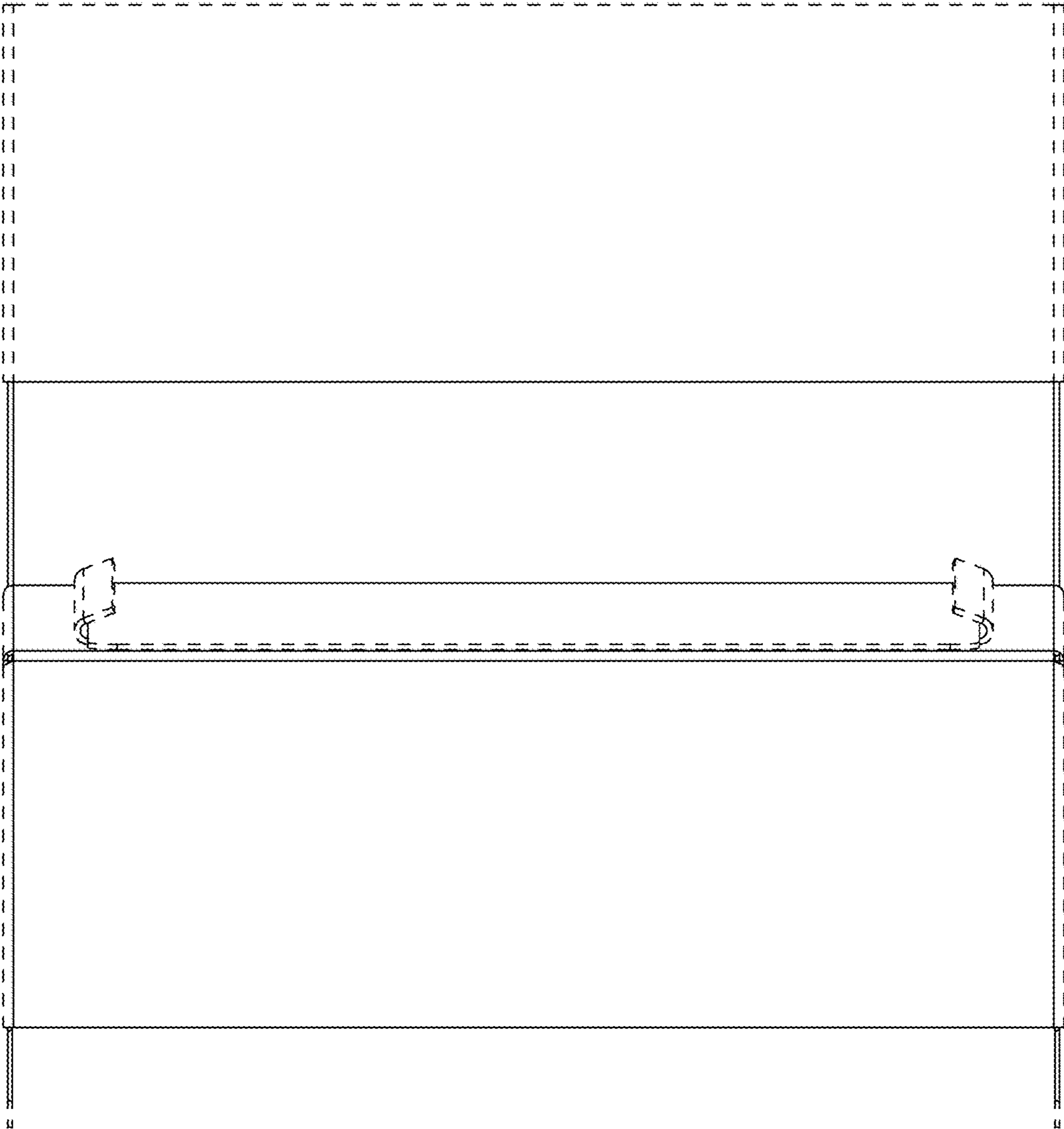


FIG. 15

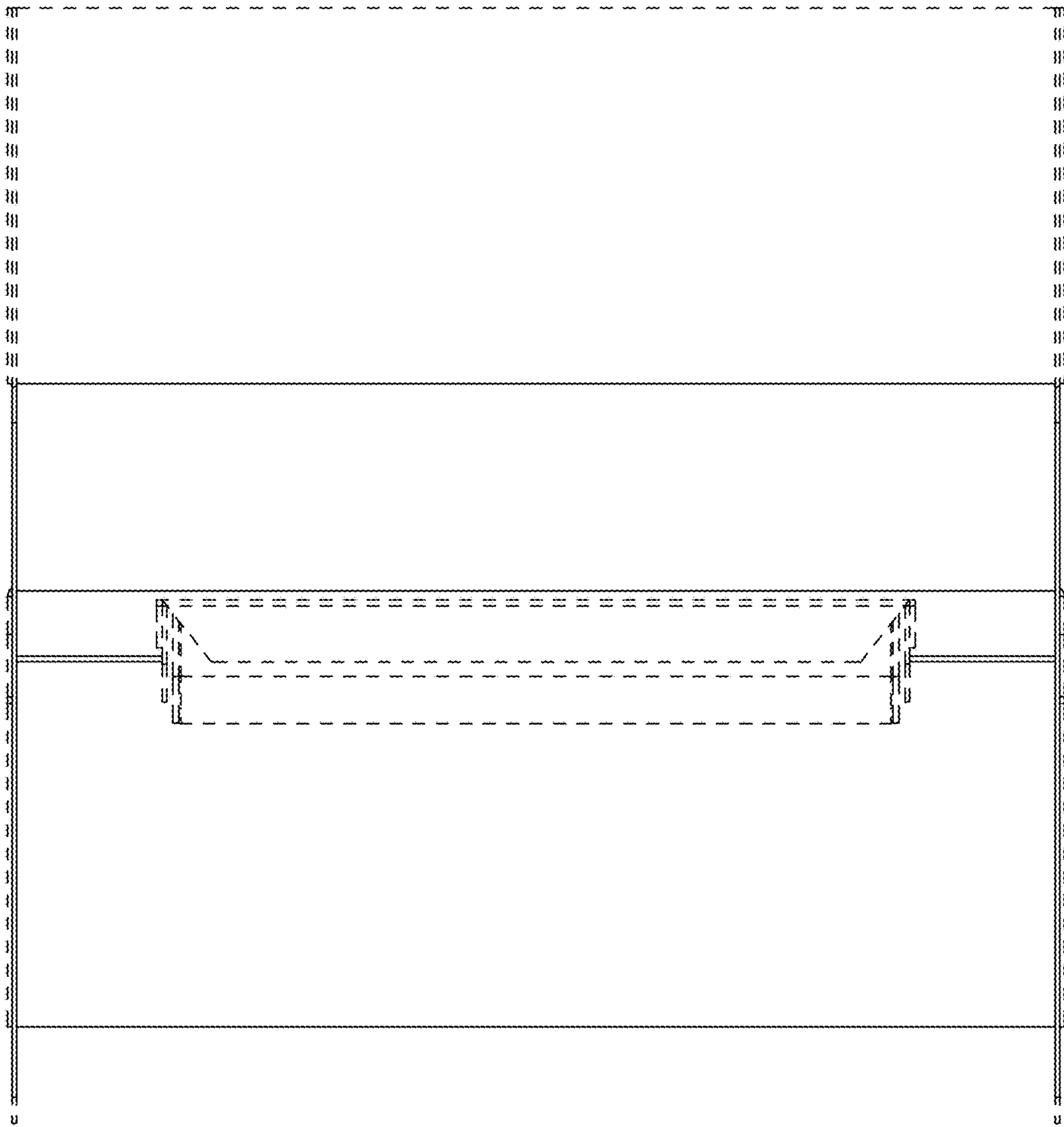


FIG. 16

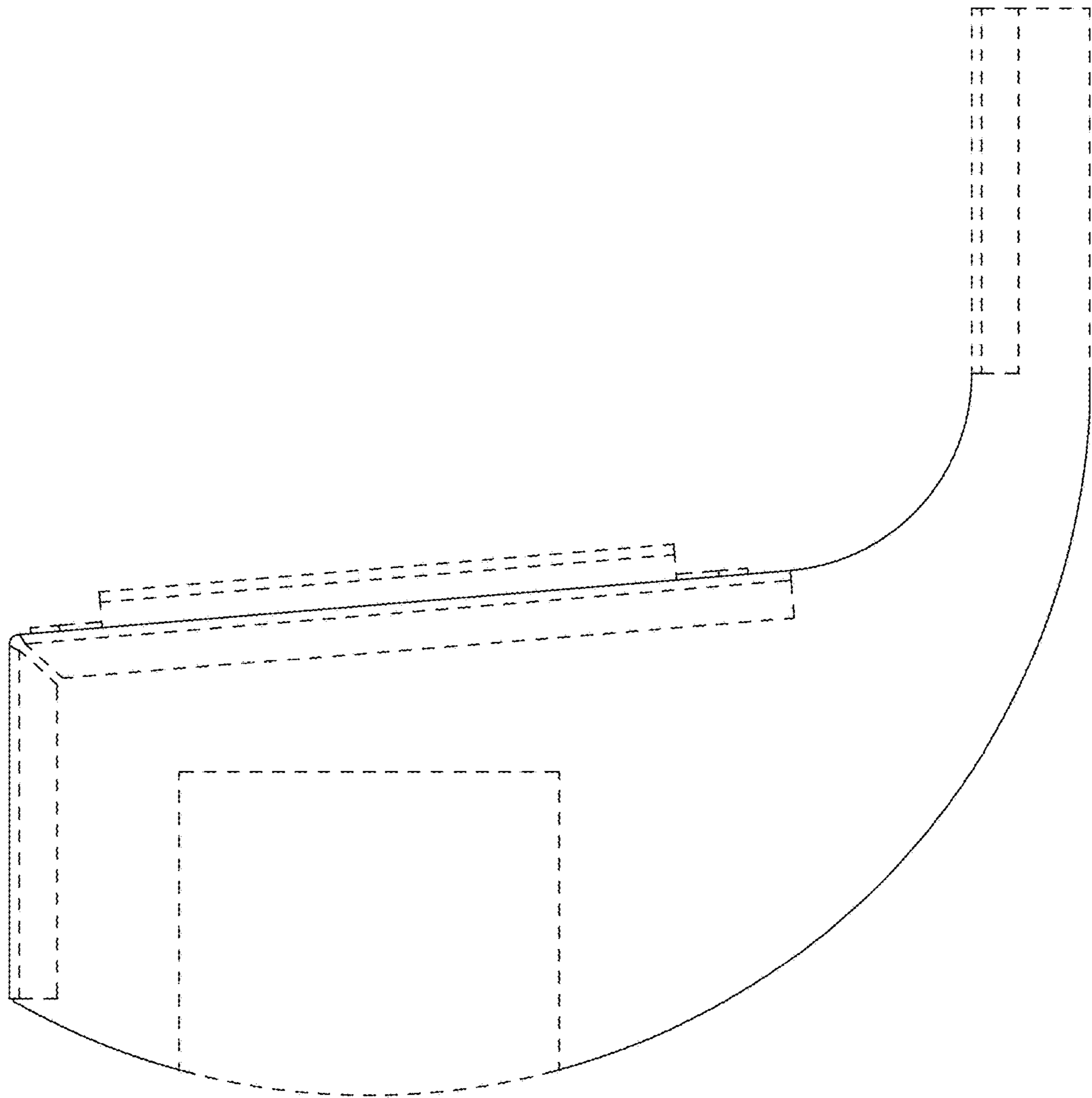


FIG. 17

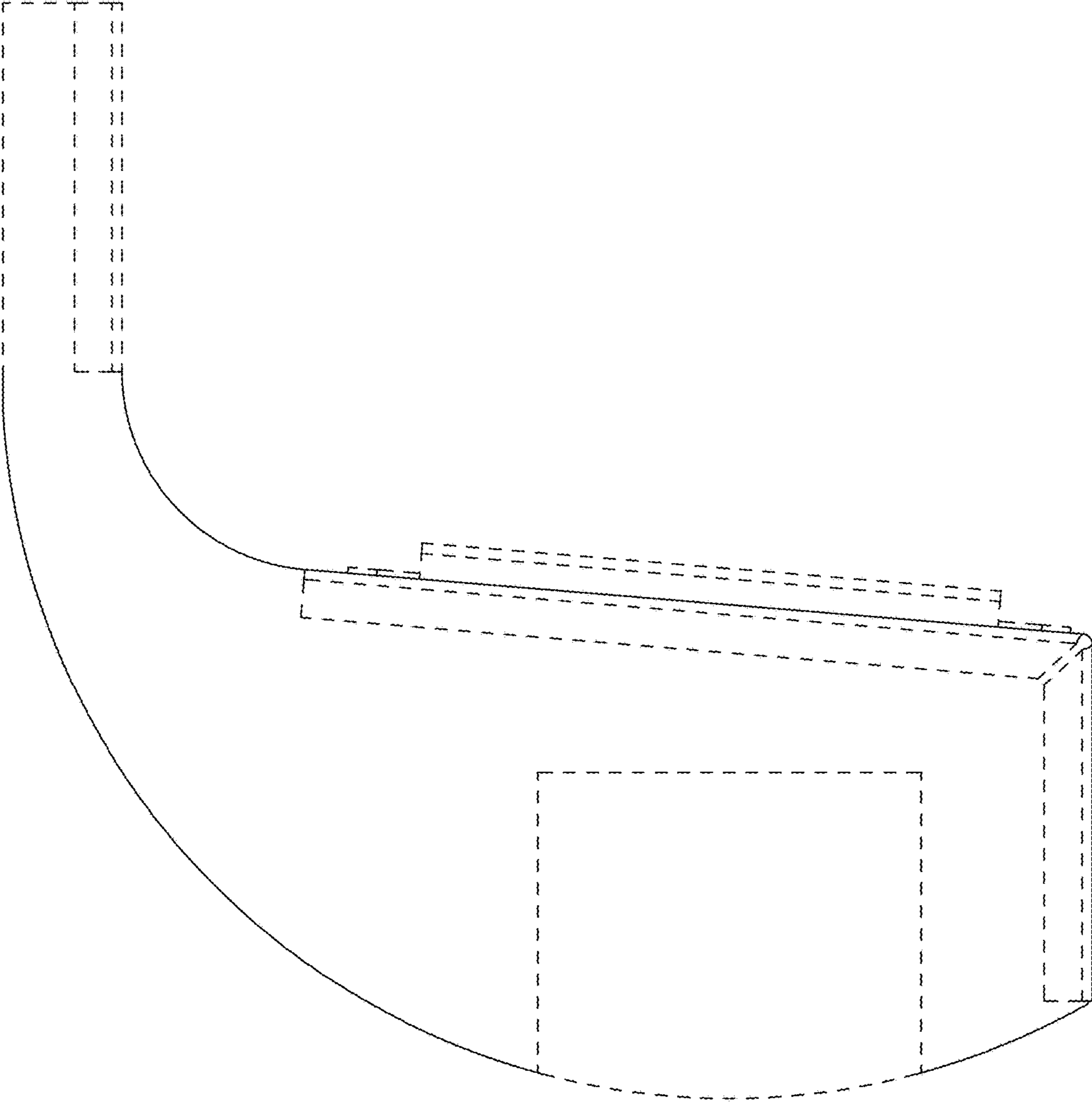


FIG. 18