



US00D817090S

(12) **United States Design Patent**
Bogazzi

(10) **Patent No.:** **US D817,090 S**
(45) **Date of Patent:** **** May 8, 2018**

(54) **CHIMNEY VENT CAP**

(71) Applicant: **Marco Bogazzi**, Marietta, GA (US)
(72) Inventor: **Marco Bogazzi**, Marietta, GA (US)
(73) Assignee: **The Big Green Egg, Inc.**, Atlanta, GA (US)

(**) Term: **15 Years**

(21) Appl. No.: **29/569,393**

(22) Filed: **Jun. 27, 2016**

(51) **LOC (11) Cl.** **07-99**

(52) **U.S. Cl.**
USPC **D7/402; D9/443**

(58) **Field of Classification Search**
USPC D7/332, 334, 354-361, 393-396, 402,
D7/406, 409; D9/434, 435, 436, 443,
D9/995

(Continued)

(56) **References Cited**

U.S. PATENT DOCUMENTS

D105,256 S * 7/1937 Amrine D9/443
D135,161 S * 3/1943 Stempel D9/449

(Continued)

Primary Examiner — Cathron C Brooks

Assistant Examiner — Sharon S Oum

(74) *Attorney, Agent, or Firm* — Merchant & Gould P.C.

(57) **CLAIM**

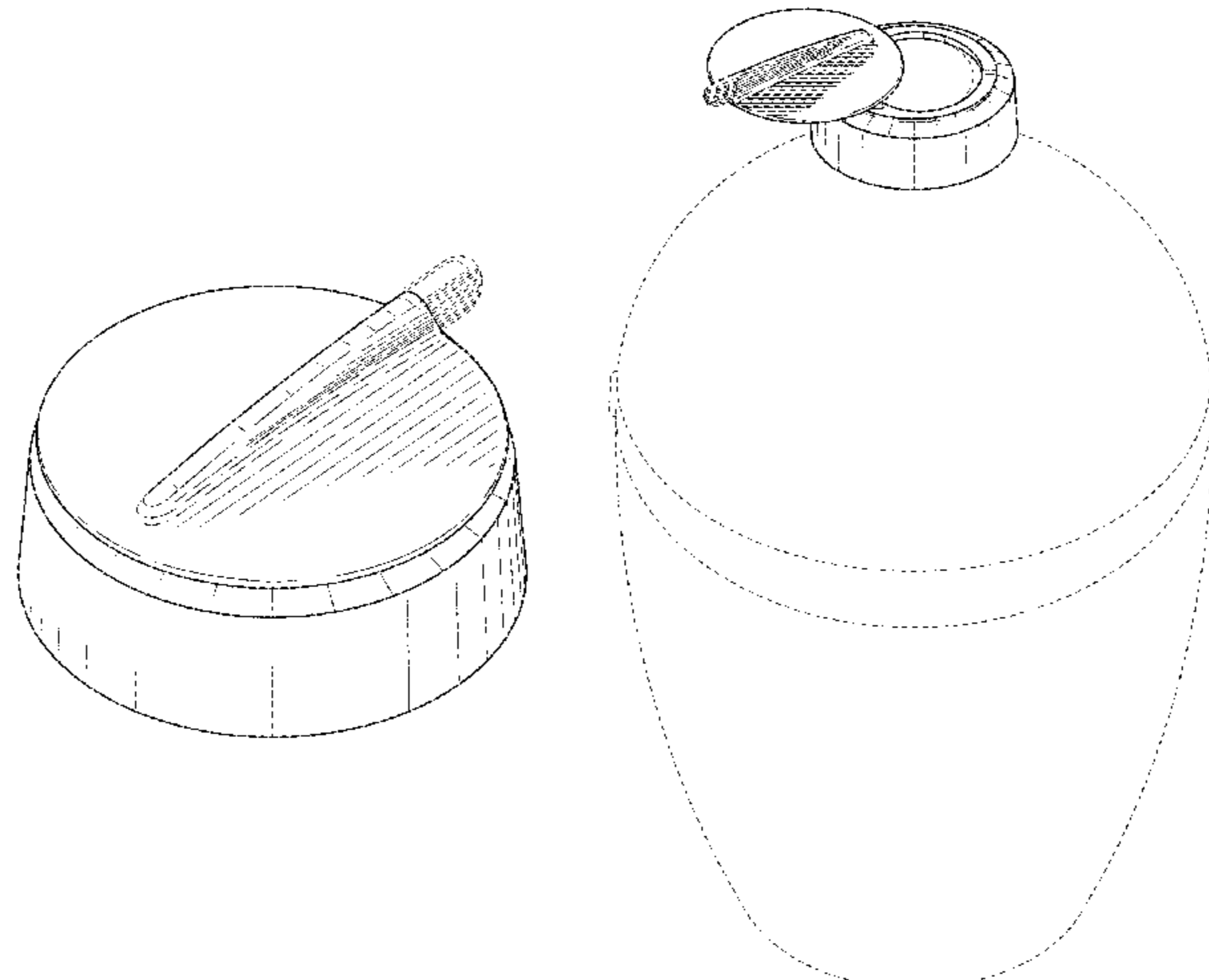
The ornamental design for a chimney vent cap, as shown and described.

DESCRIPTION

FIG. 1 is a top perspective view of a chimney vent cap showing my new design, the chimney vent cap being shown in a first configuration positioned atop a Kamado-style cooking device;

FIG. 2 is the top perspective view of the chimney vent cap shown in FIG. 1 without the Kamado-style cooking device; FIG. 3 is a bottom perspective view of the chimney vent cap shown in FIG. 1; FIG. 4 is a front elevation view of the chimney vent cap shown in FIG. 1; FIG. 5 is a back elevation view of the chimney vent cap shown in FIG. 1; FIG. 6 is a right side elevation view of the chimney vent cap shown in FIG. 1; FIG. 7 is a left side elevation view of the chimney vent cap shown in FIG. 1; FIG. 8 is a top plan view of the chimney vent cap shown in FIG. 1; FIG. 9 is a bottom plan view of the chimney vent cap shown in FIG. 1; FIG. 10 is a top perspective view of a chimney vent cap showing my new design, the chimney vent cap being shown in a second configuration positioned atop a Kamado-style cooking device; FIG. 11 is the top perspective view of the chimney vent cap shown in FIG. 10 without the Kamado-style cooking device; FIG. 12 is a bottom perspective view of the chimney vent cap shown in FIG. 10; FIG. 13 is a front elevation view of the chimney vent cap shown in FIG. 10; FIG. 14 is a back elevation view of the chimney vent cap shown in FIG. 10; FIG. 15 is a right side view of the chimney vent cap shown in FIG. 10; FIG. 16 is a left side view of the chimney vent cap shown in FIG. 10; FIG. 17 is a top plan view of the chimney vent cap shown in FIG. 10; and, FIG. 18 is a bottom plan view of the chimney vent cap shown in FIG. 10. The broken lines in FIG. 1 and FIG. 10 illustrate the chimney vent cap grip and the body of the Kamado-style cooking device. The broken lines in all other figures illustrate the chimney vent cap grip. The broken lines form no part of the claimed design.

1 Claim, 9 Drawing Sheets



(58) **Field of Classification Search**
 CPC A47J 37/0786; A47J 37/0704; F23J 11/08;
 F24B 1/028
 See application file for complete search history.

(56) **References Cited**

U.S. PATENT DOCUMENTS

D185,648 S * 7/1959 Rudebeck D7/395
 D191,838 S * 11/1961 Ebstein D7/322
 3,300,075 A * 1/1967 Dahl B65D 51/242
 215/399
 D289,614 S * 5/1987 Sanchez D7/392.1
 D336,817 S * 6/1993 Wilcox, Jr. D7/392
 D341,320 S * 11/1993 Morin D9/443
 D359,451 S * 6/1995 Dees D9/443
 D419,373 S * 1/2000 Geelen D7/393
 D472,145 S * 3/2003 Nottingham D9/443
 D496,823 S * 10/2004 Josancy D7/360
 D533,396 S * 12/2006 Lipson D7/391

D578,391 S * 10/2008 Larkin D9/443
 D627,639 S * 11/2010 Ziegler D9/443
 D634,156 S * 3/2011 Fuller D7/393
 D651,458 S * 1/2012 Segers D7/402
 D668,104 S * 10/2012 Segers D7/402
 D689,738 S * 9/2013 Hobbs D7/402
 D696,068 S * 12/2013 Baacke D7/402
 D701,421 S * 3/2014 Tai D7/354
 D701,422 S * 3/2014 Tai D7/354
 D703,998 S * 5/2014 Funnell, II D7/393
 D722,815 S * 2/2015 Fuller D7/393
 D747,620 S * 1/2016 Chung D7/332
 D747,909 S * 1/2016 Simms, II D7/332
 D772,002 S * 11/2016 Affatato D7/354
 2011/0283990 A1 * 11/2011 Walters A47J 37/0704
 126/25 R
 2016/0135645 A1 * 5/2016 Walters A47J 37/0786
 126/25 R
 2016/0220066 A1 * 8/2016 Roberts A47J 37/0786
 2016/0255998 A1 * 9/2016 Feng A47J 37/0713

* cited by examiner

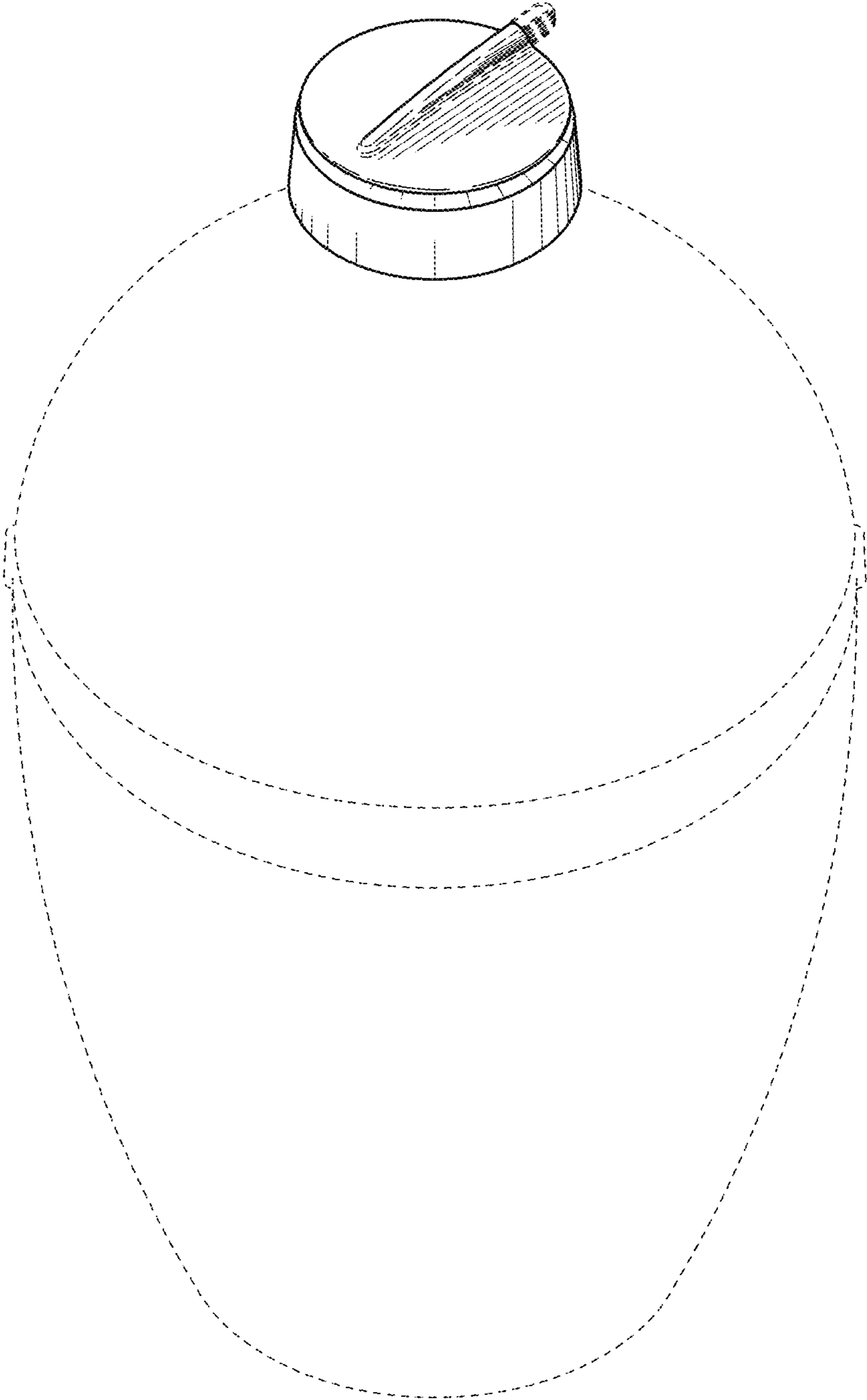


FIG. 1

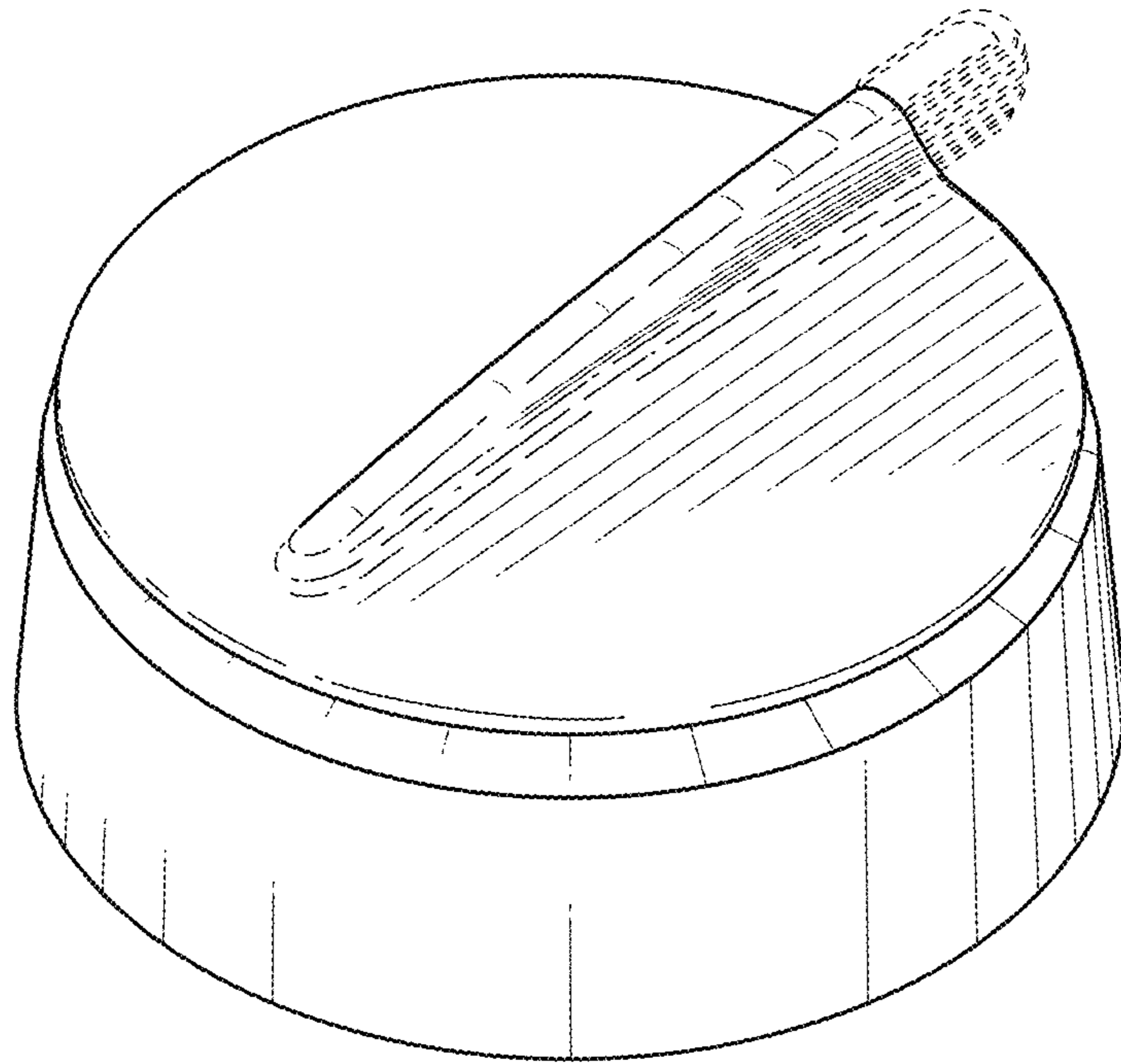


FIG. 2

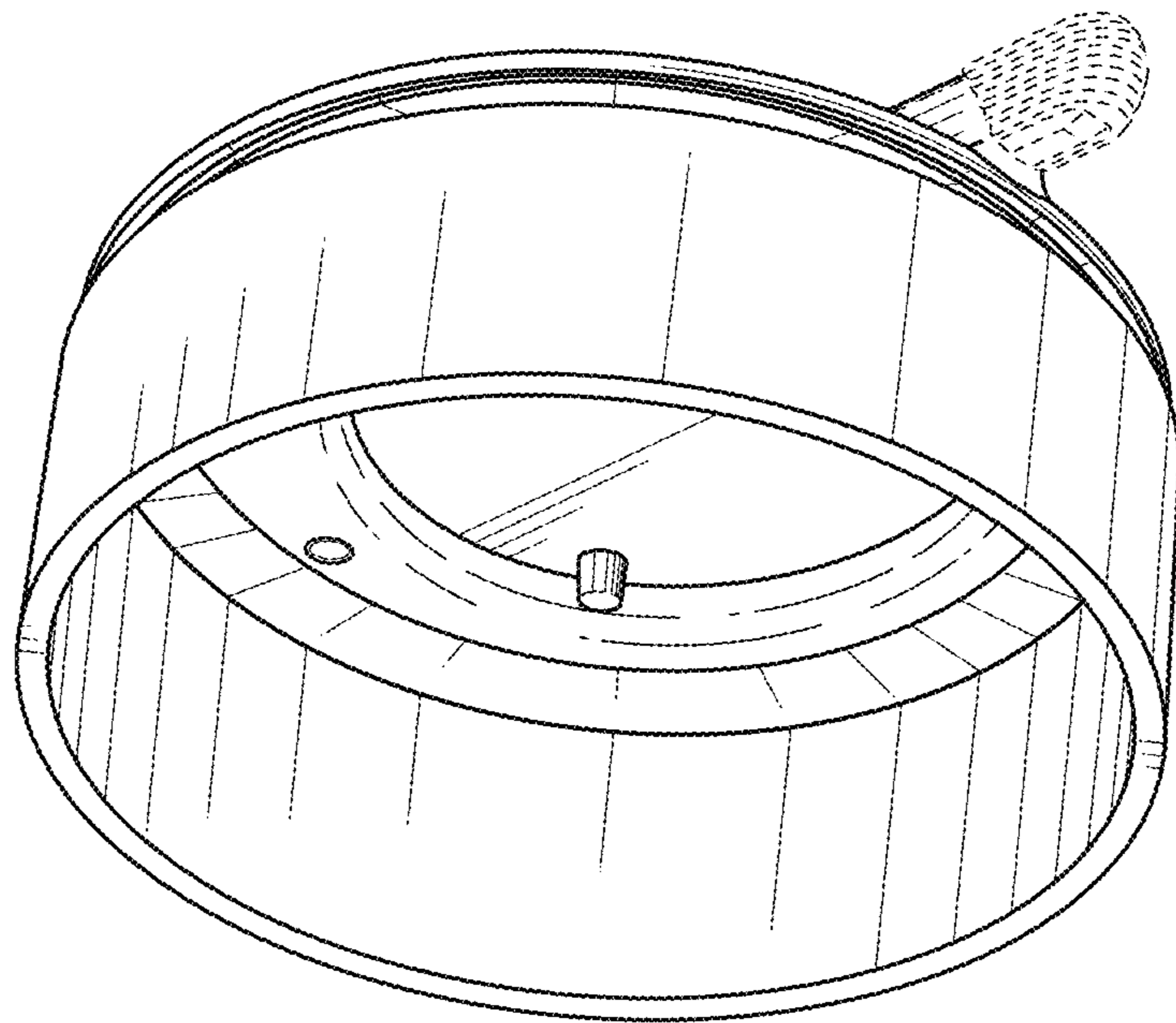


FIG. 3

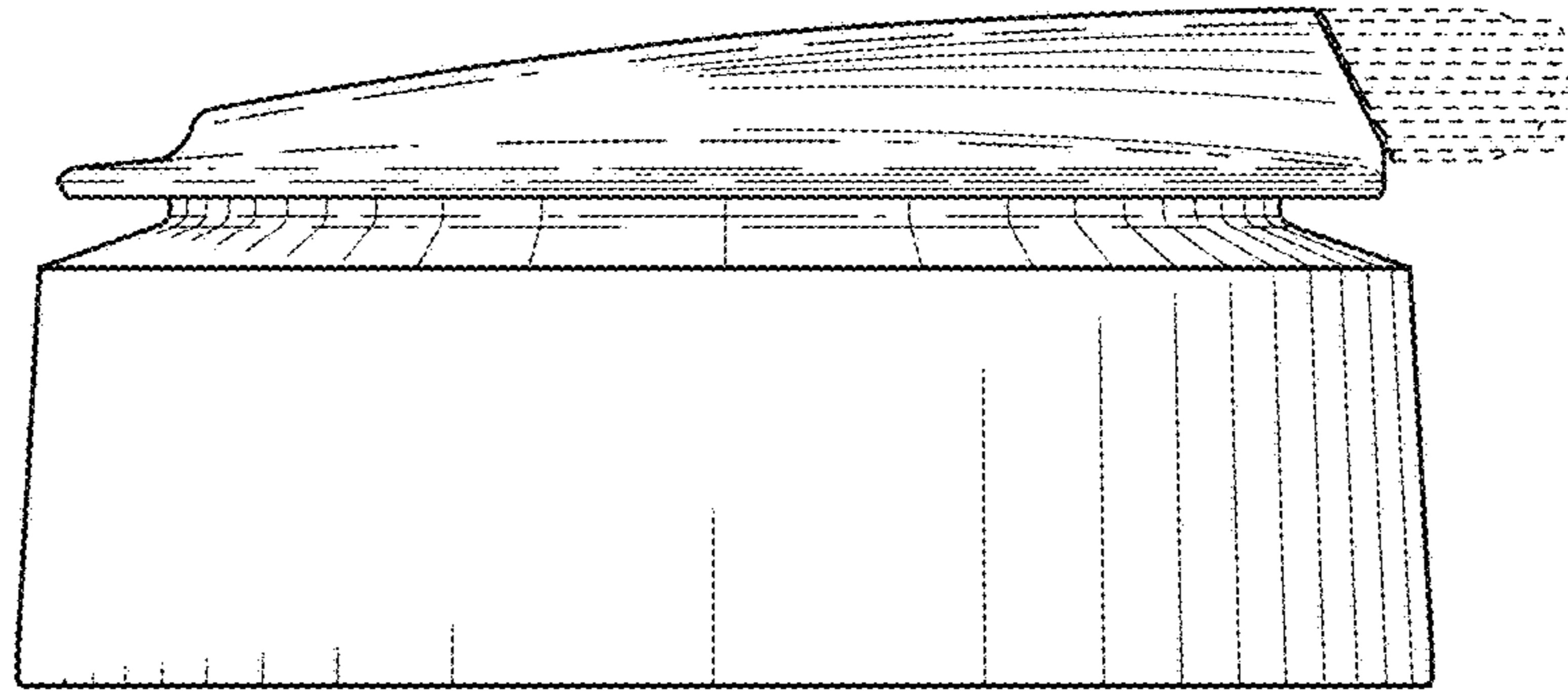


FIG. 4

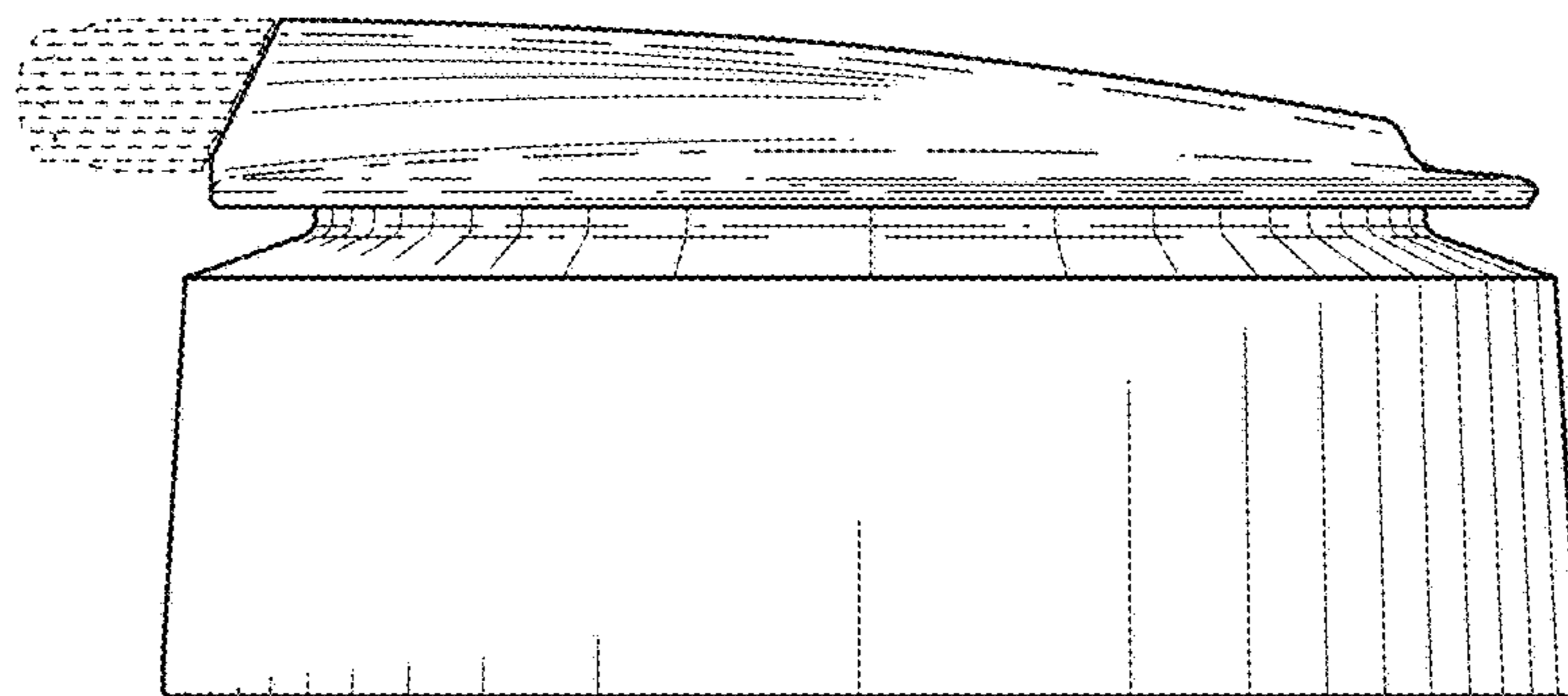


FIG. 5

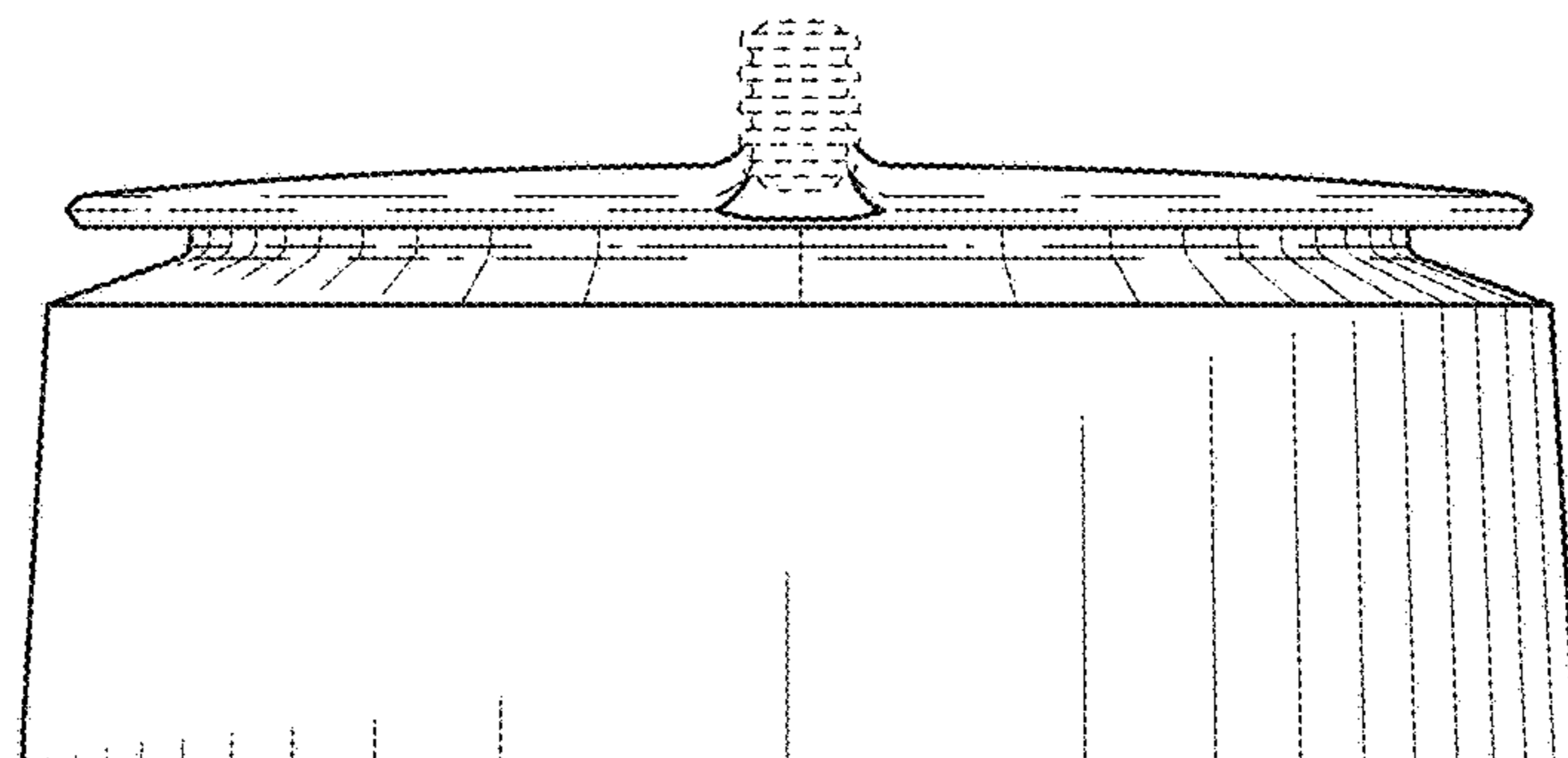


FIG. 6

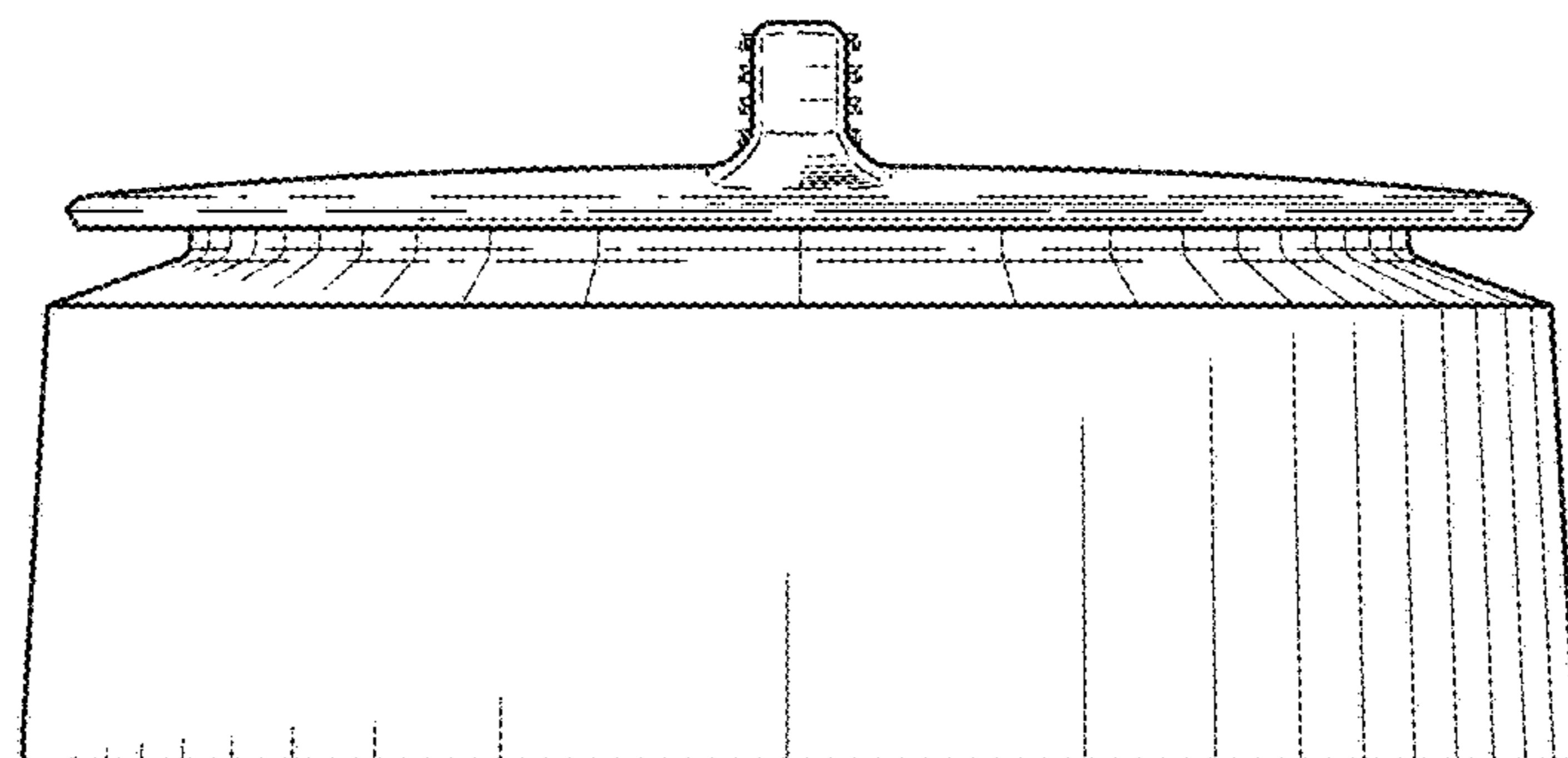


FIG. 7

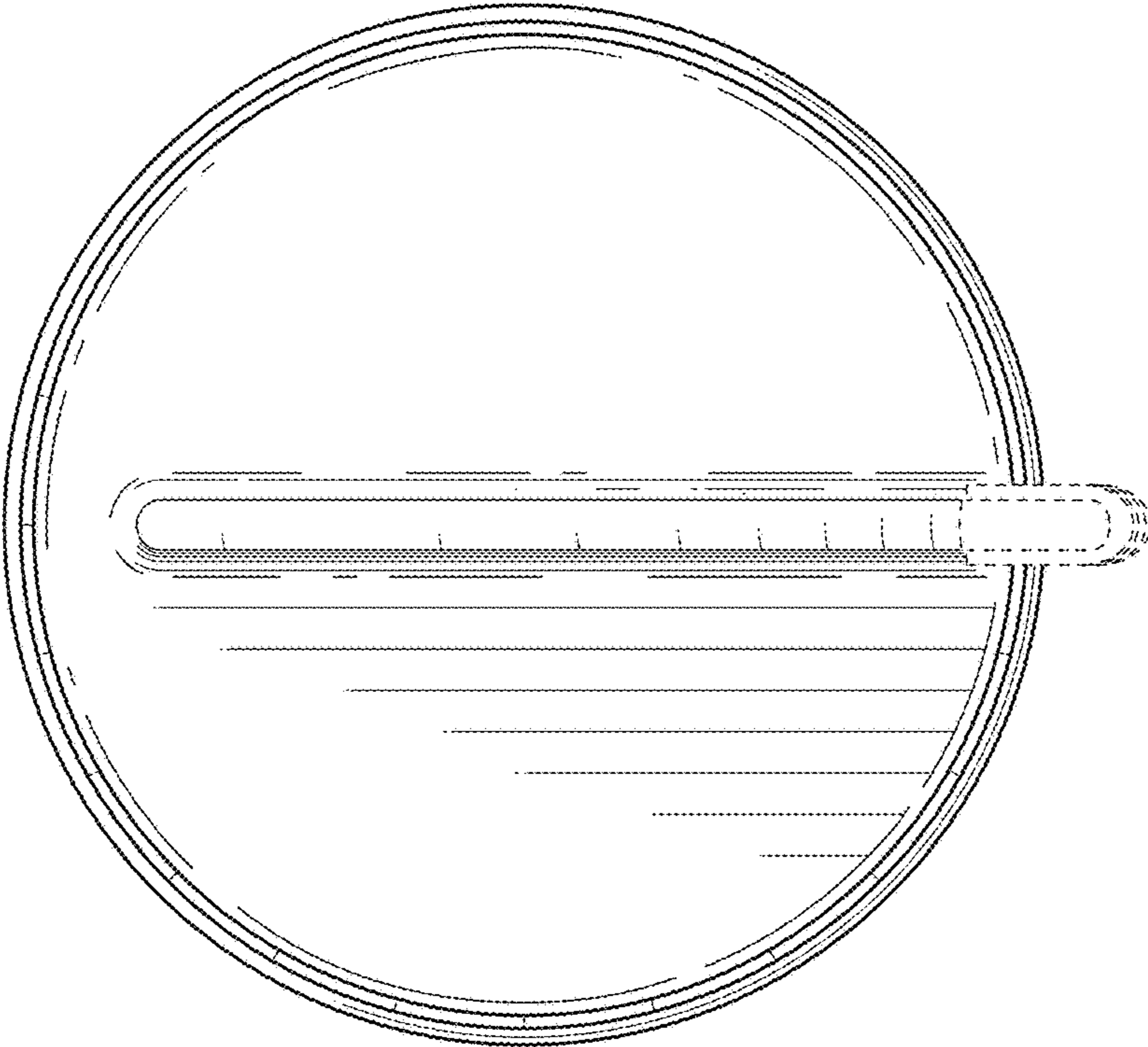


FIG. 8

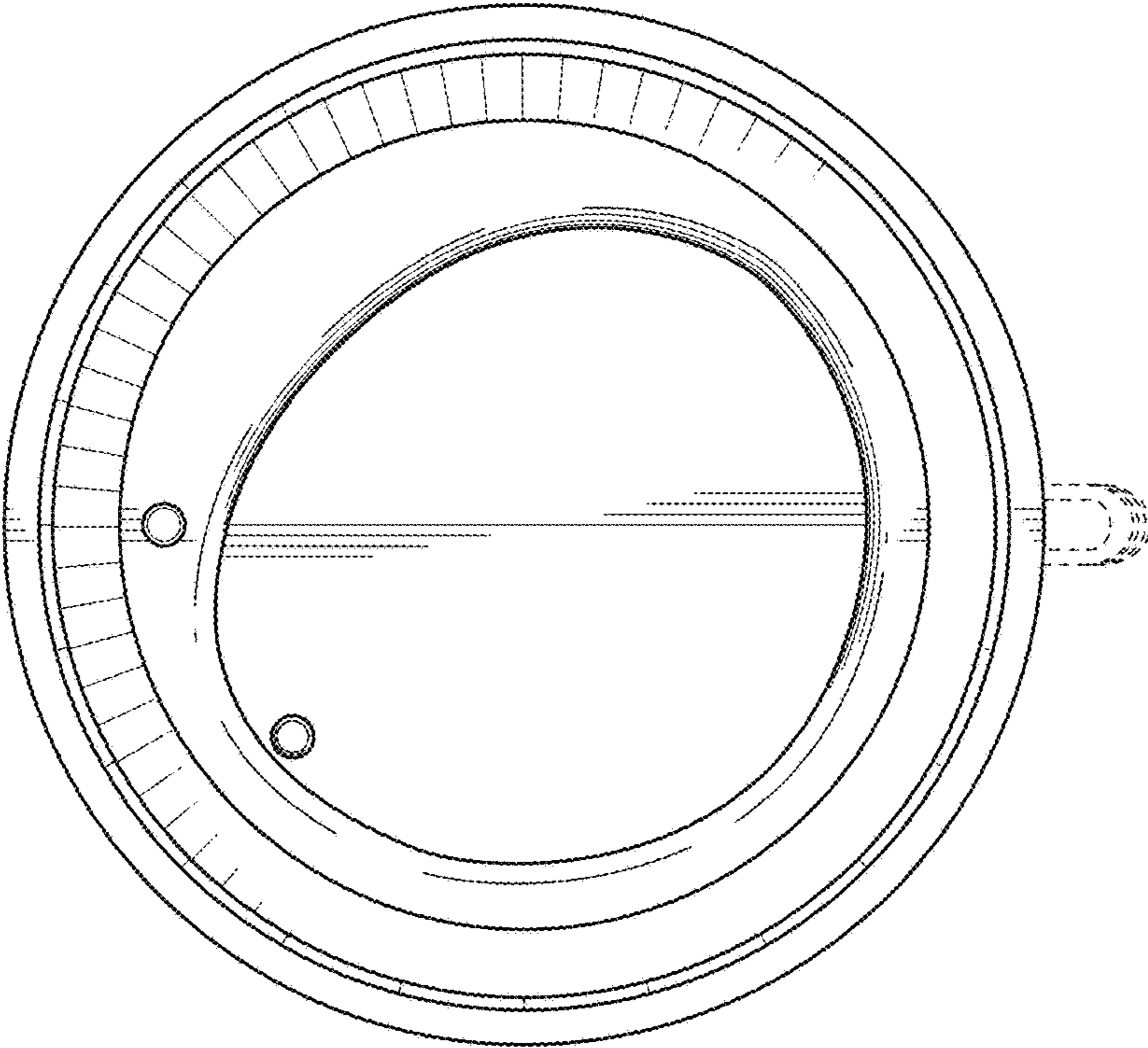


FIG. 9

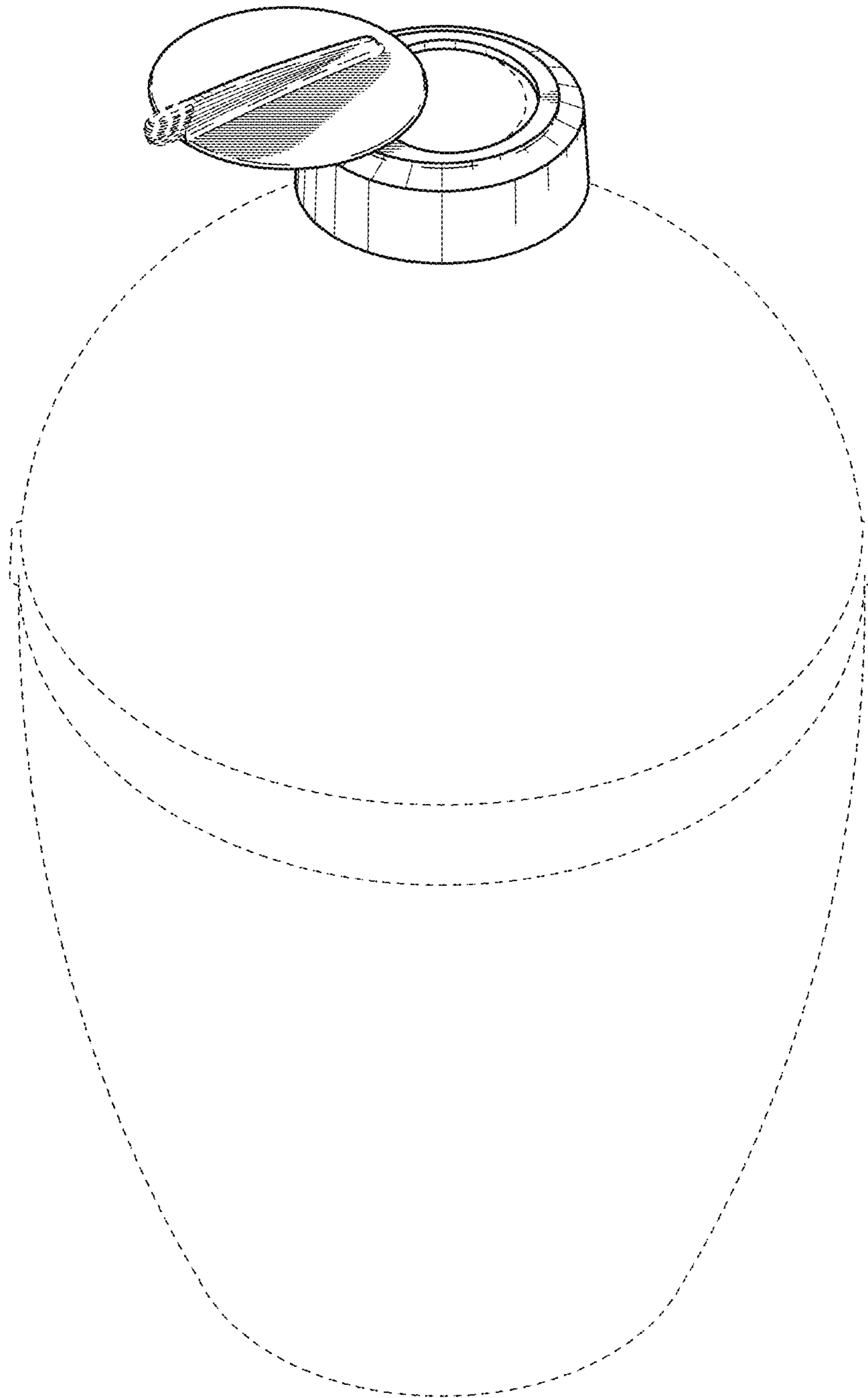


FIG. 10

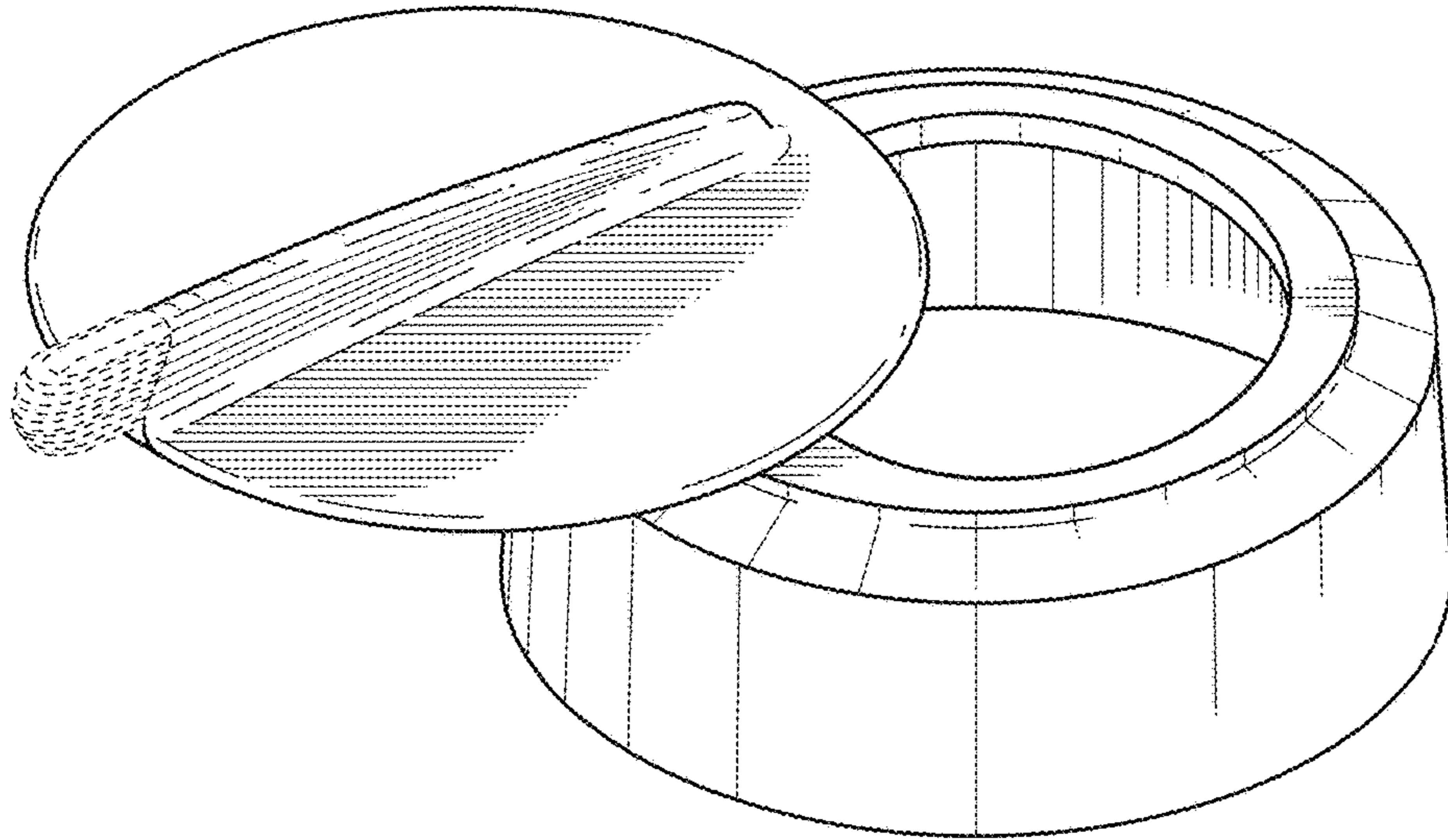


FIG. 11

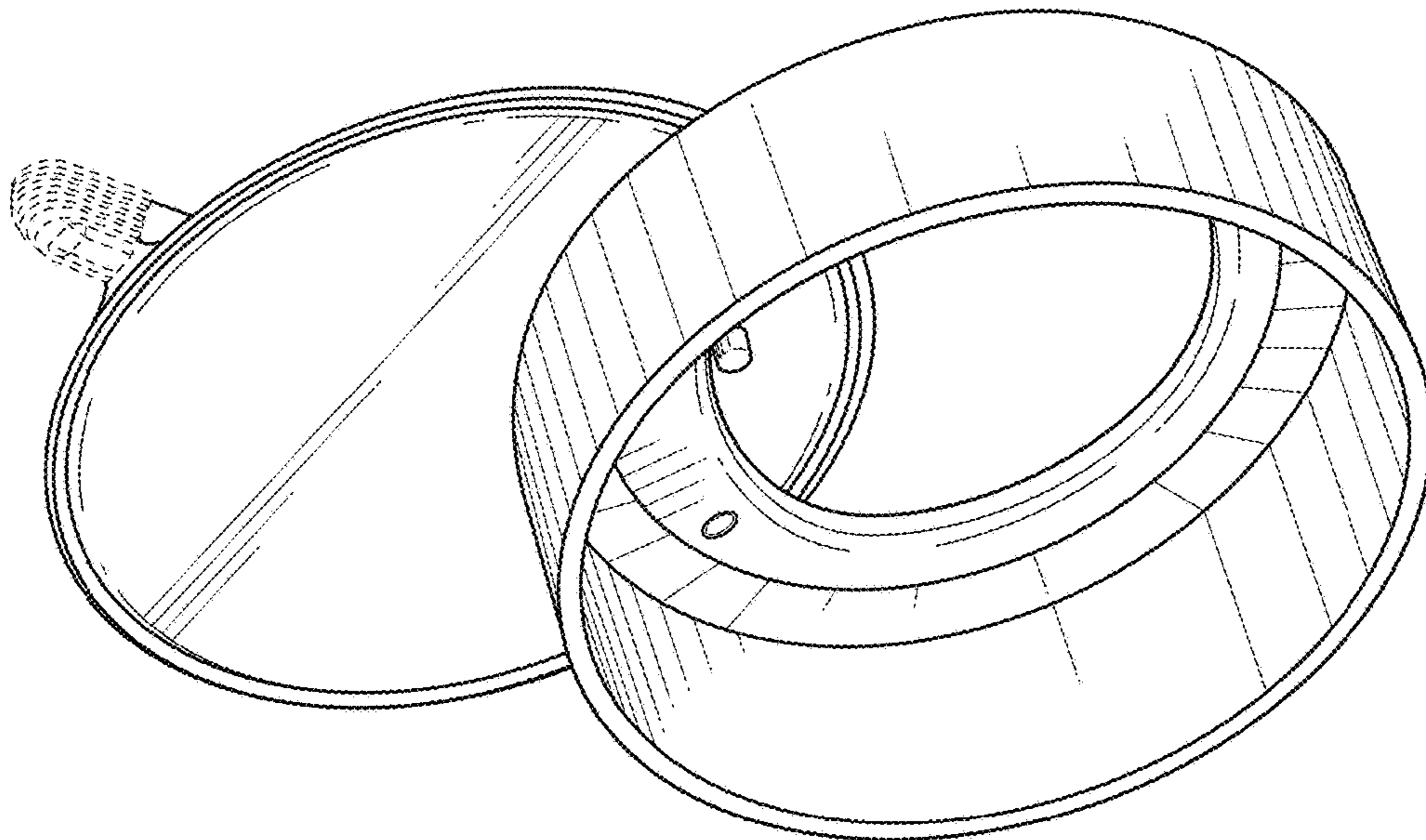


FIG. 12

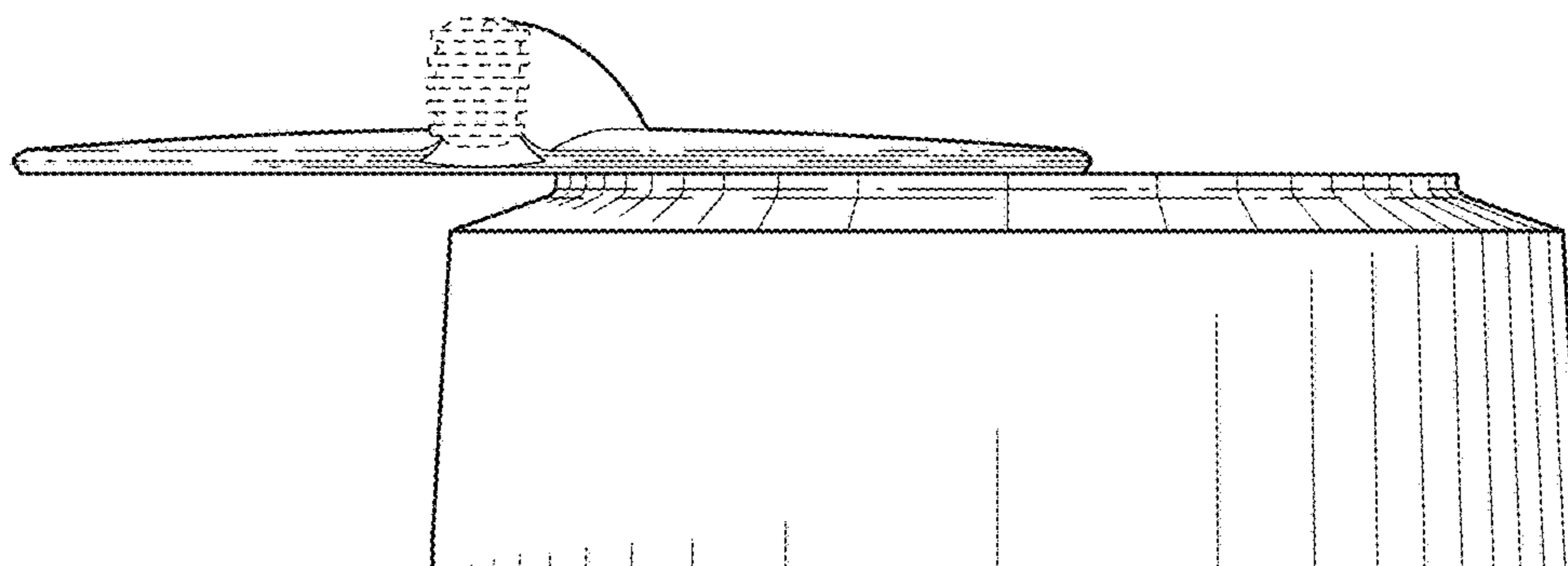


FIG. 13

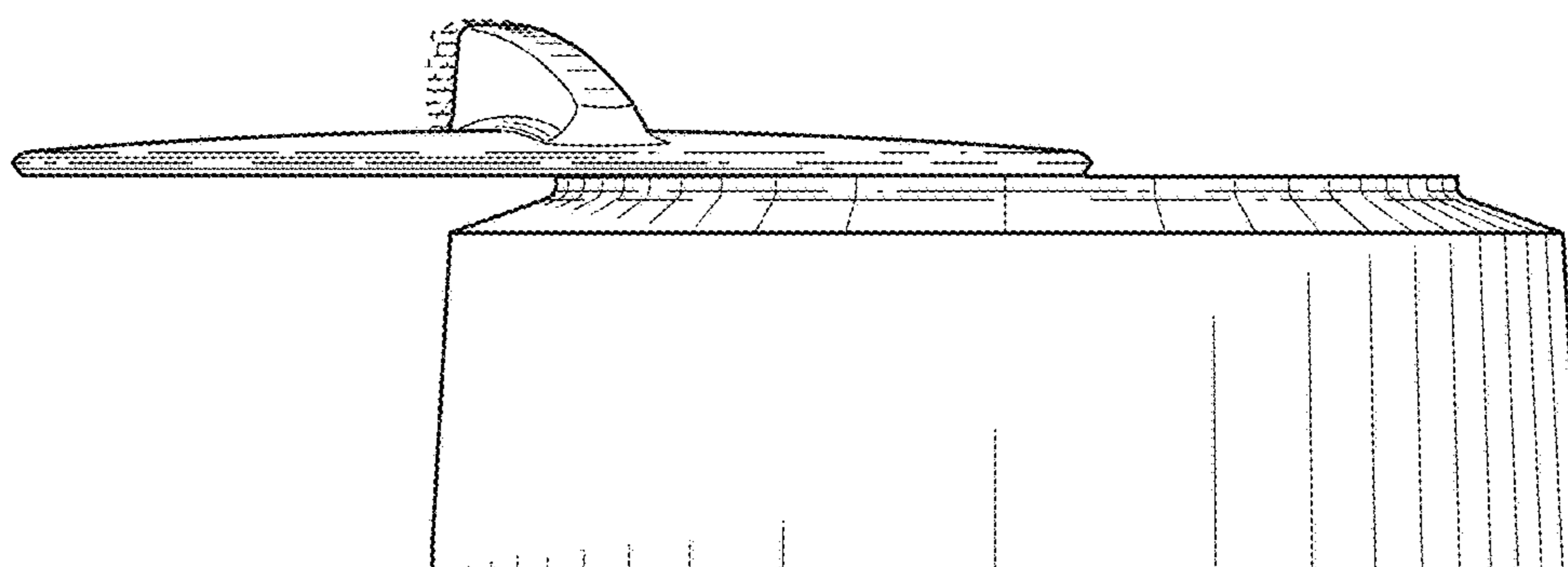


FIG. 14

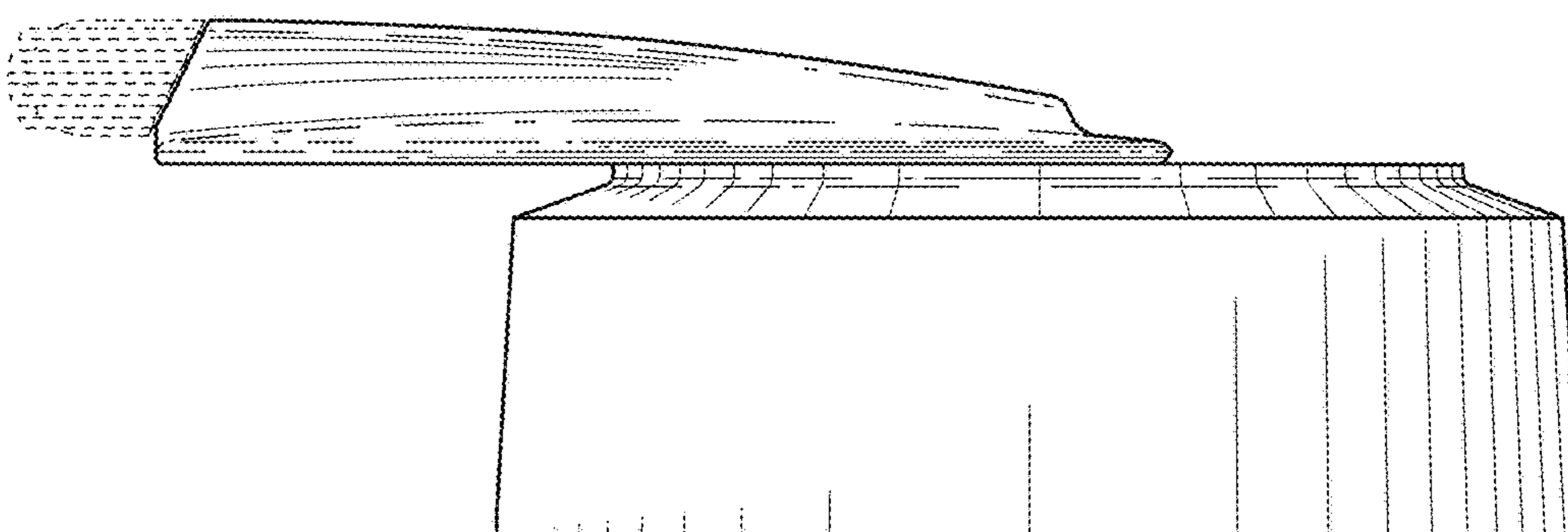


FIG. 15

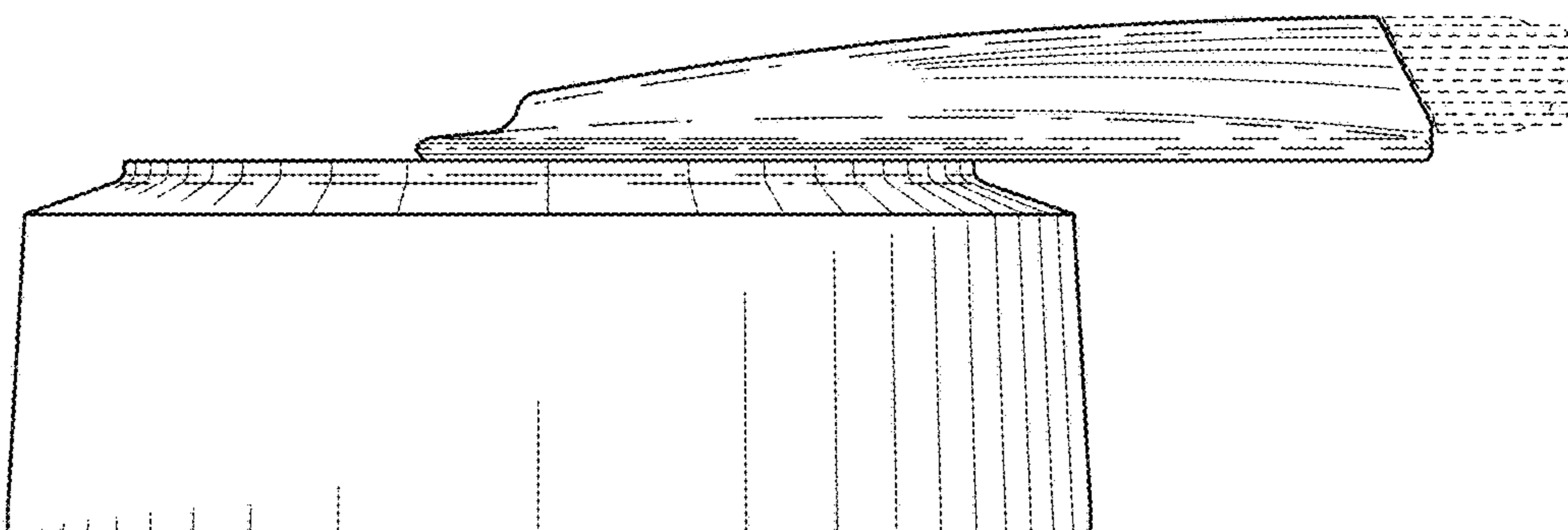


FIG. 16

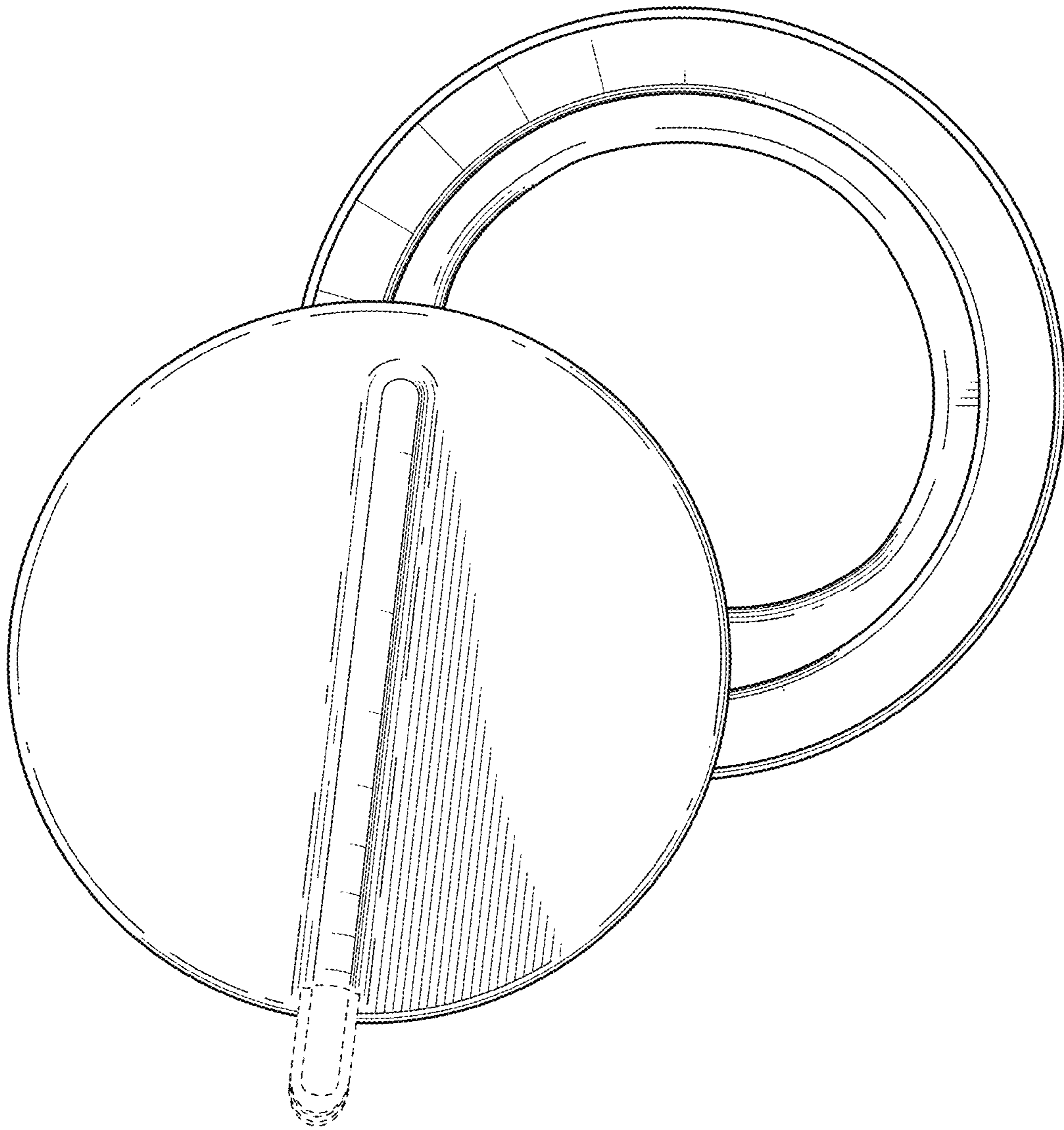


FIG. 17

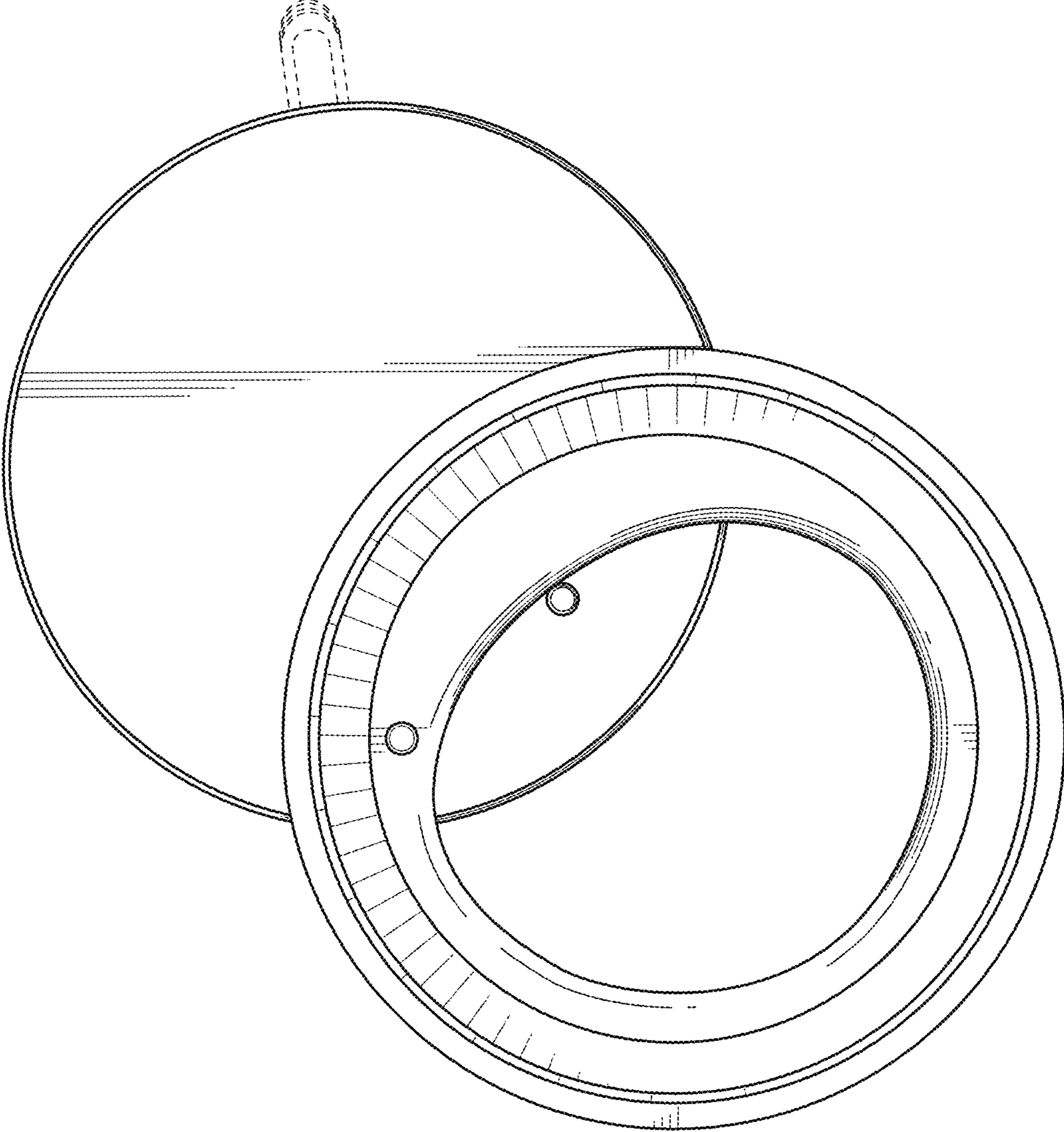


FIG. 18