



US00D817089S

(12) **United States Design Patent** (10) **Patent No.:** **US D817,089 S**  
**Gross et al.** (45) **Date of Patent:** **\*\* May 8, 2018**

(54) **CARAFE WITH STEEPING FILTER SUPPORT**

(71) Applicant: **Eternal East (HK) Ltd.**, Hong Kong (CN)

(72) Inventors: **Charles Brian Gross**, Greeley, CO (US); **Xiaoqiang Liu**, Zhuzhou (CN); **Chengping Shen**, Yuanqu (CN)

(73) Assignee: **Eternal East (HK) Ltd.**, Hong Kong (CN)

(\*\*) Term: **15 Years**

(21) Appl. No.: **29/571,070**

(22) Filed: **Jul. 14, 2016**

(51) **LOC (11) Cl.** ..... **07-99**

(52) **U.S. Cl.**  
USPC ..... **D7/397; D7/401.1**

(58) **Field of Classification Search**  
USPC ... D7/396.1, 396.2, 397-401, 412, 415, 602, D7/619.1, 630; D15/150; D23/200, 206  
(Continued)

(56) **References Cited**

**U.S. PATENT DOCUMENTS**

D580,696 S \* 11/2008 Bodum ..... D7/316  
D726,475 S \* 4/2015 Wittke ..... D7/300.1  
(Continued)

**OTHER PUBLICATIONS**

Print of Amazon.com listing for Chemex 6-Cup Classic Series Glass Coffeemaker captured Sep. 8, 2016: [http://www.amazon.com/Chemex-6-Cup-Classic-Glass-Coffee/dp/B0000YWF5E/ref=sr\\_1\\_1s=kitchen&ie=UTF8&qid=1458500048&sr=1-1&keywords=chemex](http://www.amazon.com/Chemex-6-Cup-Classic-Glass-Coffee/dp/B0000YWF5E/ref=sr_1_1s=kitchen&ie=UTF8&qid=1458500048&sr=1-1&keywords=chemex).

(Continued)

*Primary Examiner* — Daniel D Bui  
*Assistant Examiner* — Andrew Kerr

(74) *Attorney, Agent, or Firm* — Polson Intellectual Property Law, PC; Margaret Polson

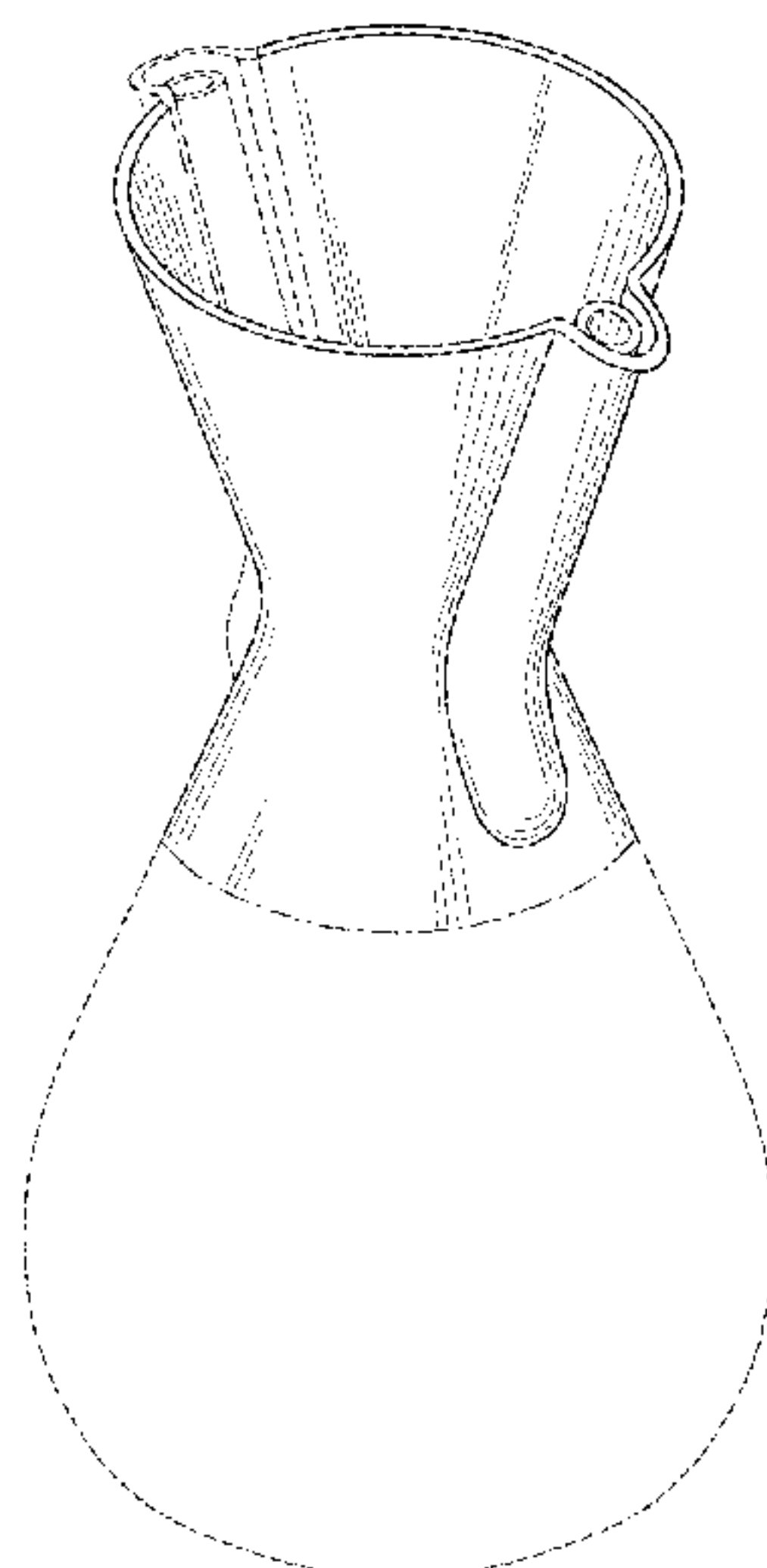
(57) **CLAIM**

The ornamental design for a carafe with steeping filter support, as shown and described.

**DESCRIPTION**

FIG. 1 is a front, top and right side isometric view of a first embodiment of a carafe with steeping filter support, showing our new design;  
FIG. 2 is a top plan view thereof;  
FIG. 3 is bottom plan view thereof;  
FIG. 4 is a front side elevation view thereof, a back side elevation view being mirror image;  
FIG. 5 is a left side elevation view thereof;  
FIG. 6 is a right side elevation view thereof;  
FIG. 7 is a front, top and right side isometric view of a second embodiment of a carafe with steeping filter support, showing our new design;  
FIG. 8 is a top plan view thereof;  
FIG. 9 is bottom plan view thereof;  
FIG. 10 is a front side elevation view thereof, a back side elevation view being mirror image;  
FIG. 11 is a left side elevation view thereof;  
FIG. 12 is a right side elevation view thereof;  
FIG. 13 is a front, top and right side isometric view of a third embodiment of a carafe with steeping filter support, showing our new design;  
FIG. 14 is a top plan view thereof;  
FIG. 15 is bottom plan view thereof;  
FIG. 16 is a front side elevation view thereof, a back side elevation view being mirror image;  
FIG. 17 is a left side elevation view thereof; and  
FIG. 18 is a right side elevation view thereof.  
The broken lines in the drawing views represent unclaimed portions of a carafe with steeping filter support, which are included for the purpose of illustrating unclaimed environment only, and forms no part of the claimed design. The dash-dot line represents the boundary of the claimed design.

**1 Claim, 6 Drawing Sheets**



(58) **Field of Classification Search**  
CPC .. A47G 23/0241; A47G 23/0214; A47J 43/44  
See application file for complete search history.

(56) **References Cited**

U.S. PATENT DOCUMENTS

D751,331 S	*	3/2016	Rashid .....	D7/316
D773,544 S	*	12/2016	Tseng .....	D15/150
D789,134 S	*	6/2017	Lin .....	D7/316
D795,998 S	*	8/2017	Gelardi .....	D23/209
D797,501 S	*	9/2017	Thurlow .....	D7/400

OTHER PUBLICATIONS

Print of Amazon.com listing for Osaka Pour-Over Drip Brewer, 6 Cup Glass Carafe with Permanent Stainless Steel Filter “Itsukushima” captured Sep. 8, 2016: <https://www.amazon.com/>

Osaka-Pour-Over-Permanent-Stainless-Itsukushima/dp/B01867PTUY/ref=sr\_1\_6?s=kitchen&ie=UTF8&qid=1458500048&sr=1-6&keywords=chemex.  
Print or Amazon.com listing for Bodum 11571-01 Pour Over Coffee Maker with Permanent Filter, 34 oz, Black captured Sep. 8, 2016: [https://www.amazon.com/Bodum-11571-01-Coffee-Permanent-Filter/dp/B00LOCYKIQ/ref=pd\\_sim\\_79\\_2?ie=UTF8&dpID=41S0D3ydZ5L&dpSrc=sims&preST=\\_AC\\_UL160\\_SR160%2C160\\_&refRID=1N6DF0FB02M2VNV0BC4E](https://www.amazon.com/Bodum-11571-01-Coffee-Permanent-Filter/dp/B00LOCYKIQ/ref=pd_sim_79_2?ie=UTF8&dpID=41S0D3ydZ5L&dpSrc=sims&preST=_AC_UL160_SR160%2C160_&refRID=1N6DF0FB02M2VNV0BC4E).  
Print of Amazon.com listing for Hario V60 Drip Decanter captured Sep. 8, 2016: [http://www.amazon.com/Hario-VDD-02B-V60-Drip-Decanter/dp/B00755F9Z4/ref=pd\\_sim\\_79\\_1?ie=UTF8&dpID=41hqlqAhx%2BL&dpSrc=sims&preST=\\_AC\\_UL160\\_SR160%2C160\\_&refRID=0CR4DGB692XWFPP62S78](http://www.amazon.com/Hario-VDD-02B-V60-Drip-Decanter/dp/B00755F9Z4/ref=pd_sim_79_1?ie=UTF8&dpID=41hqlqAhx%2BL&dpSrc=sims&preST=_AC_UL160_SR160%2C160_&refRID=0CR4DGB692XWFPP62S78).

\* cited by examiner

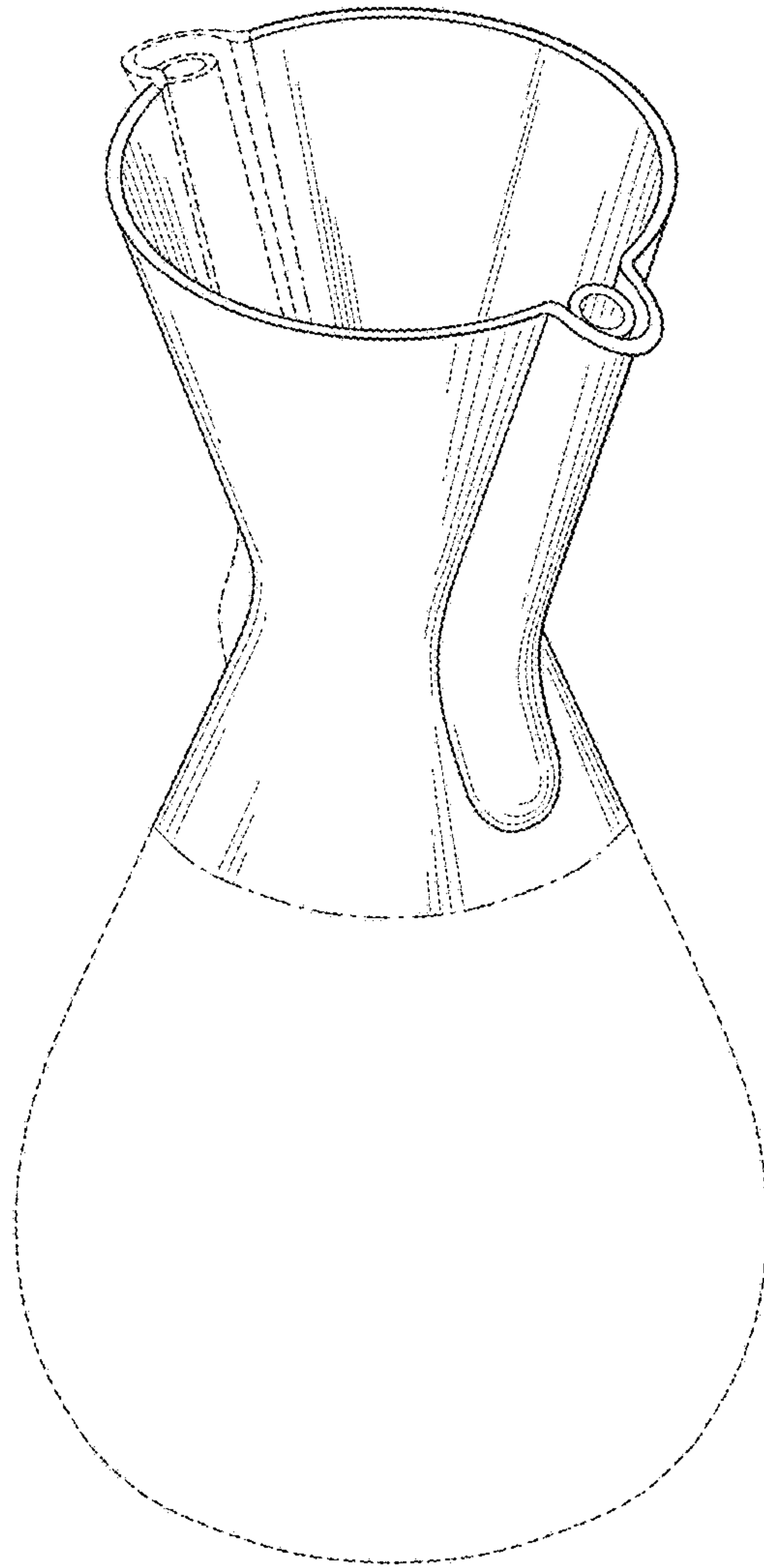


FIG.1

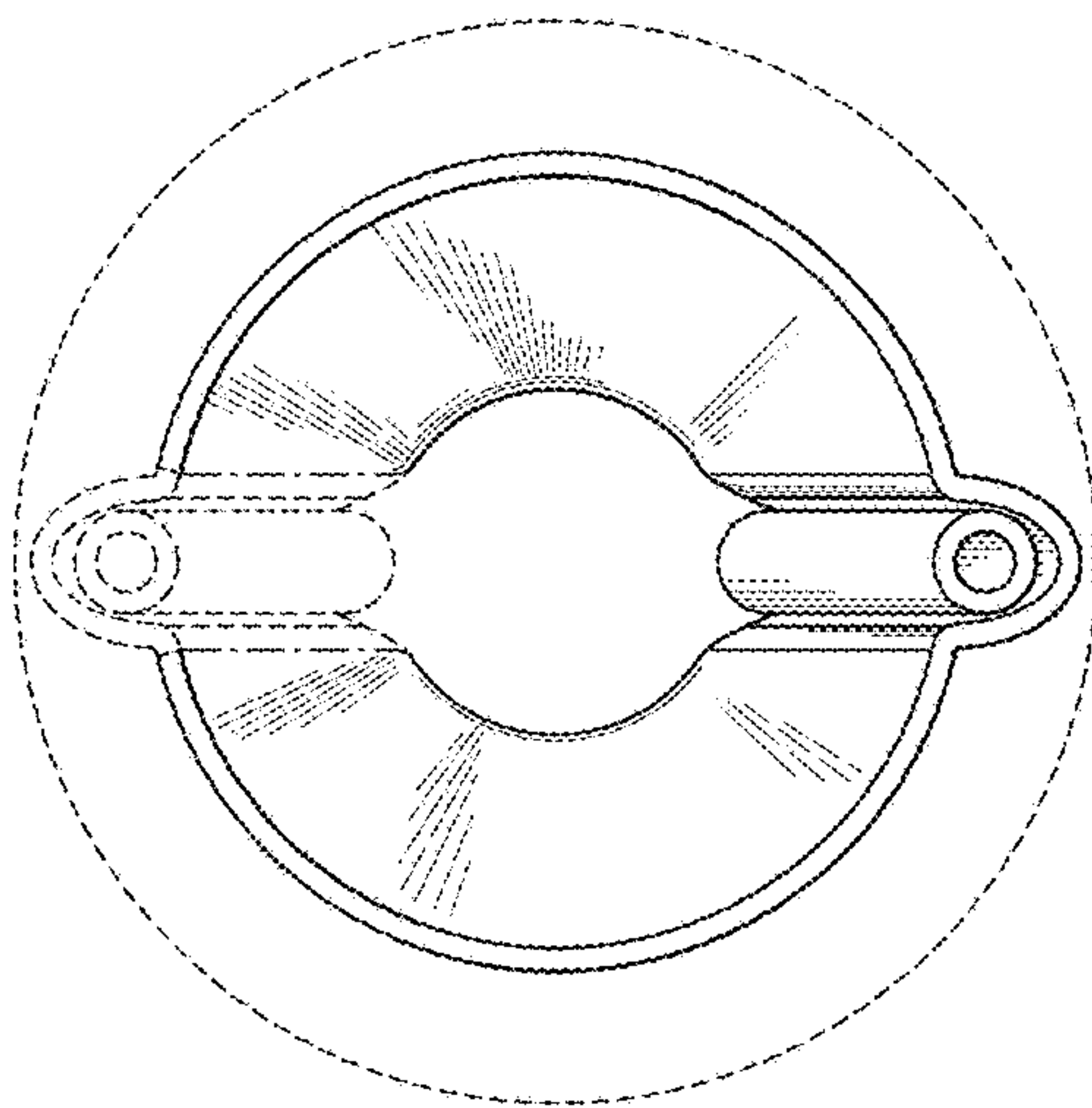


FIG.2

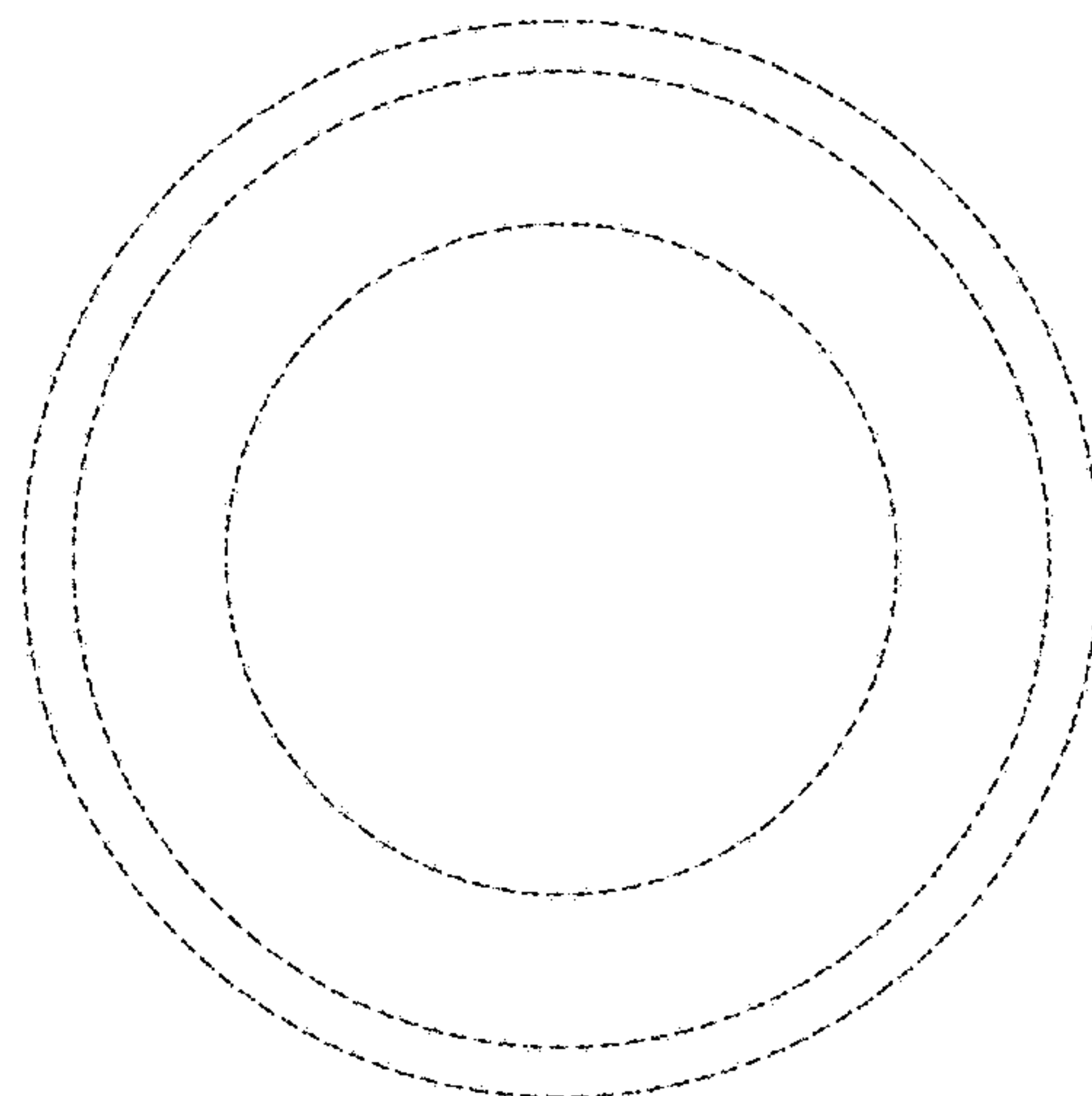


FIG.3

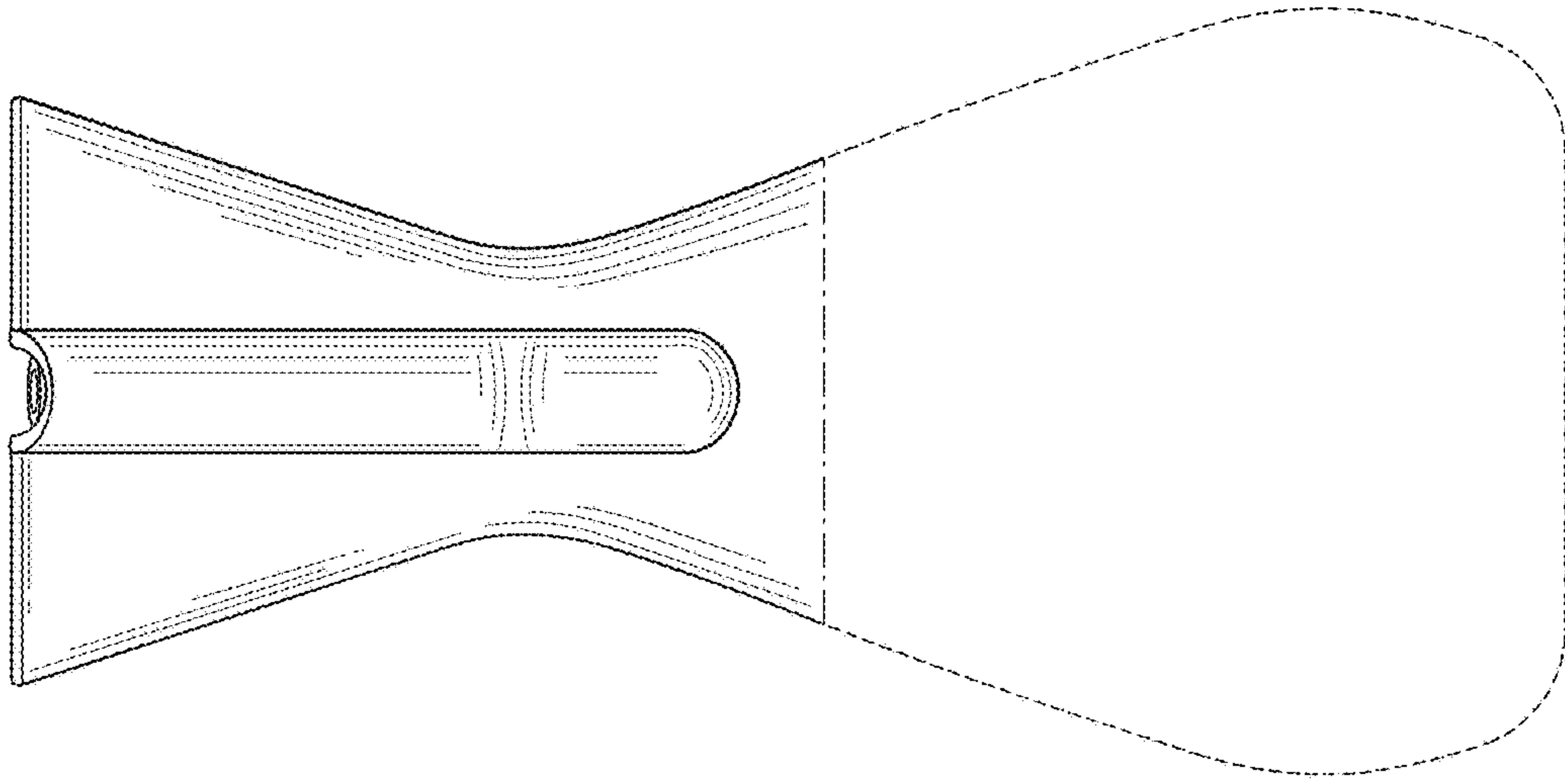


FIG.4

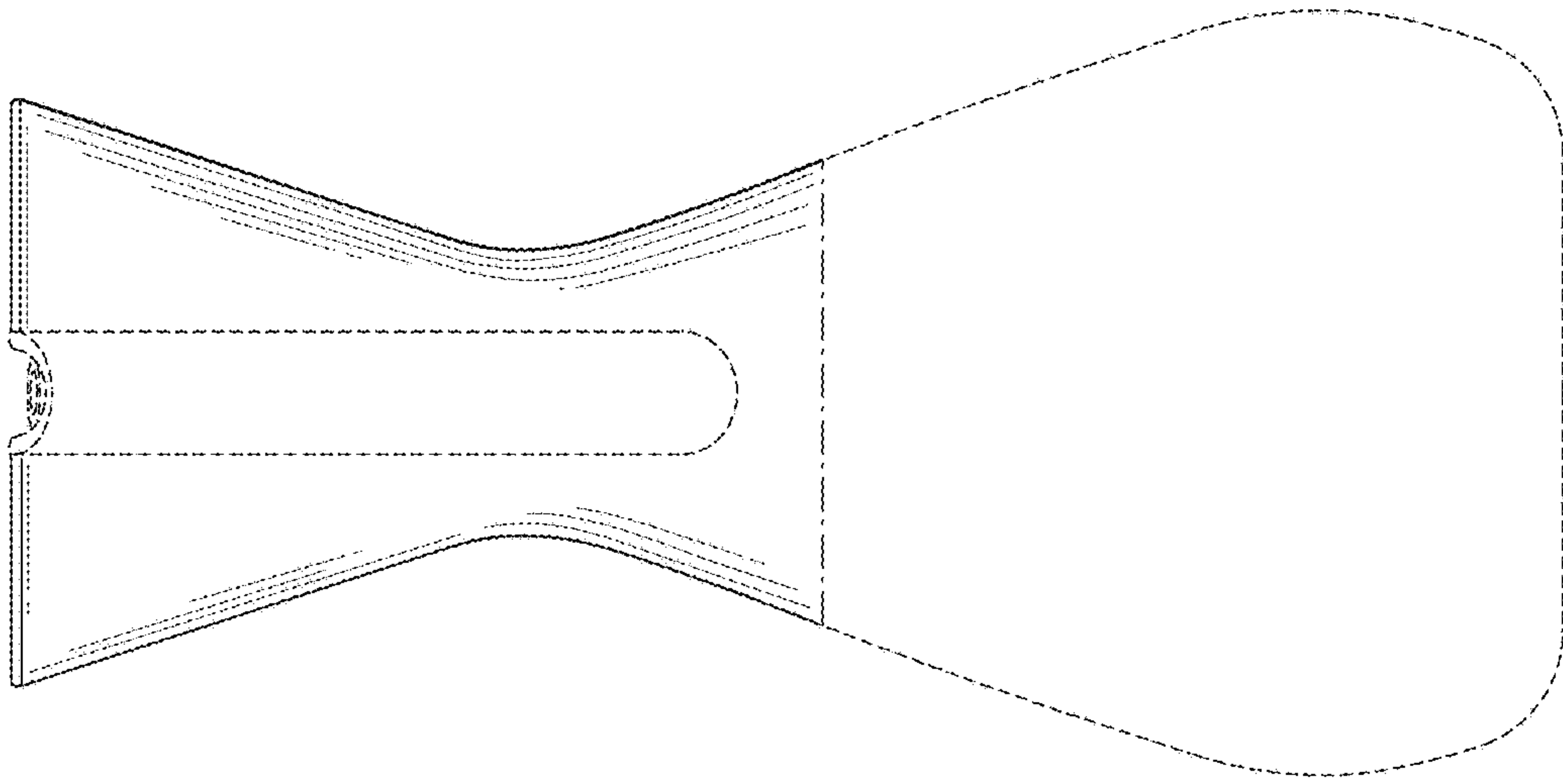


FIG.5

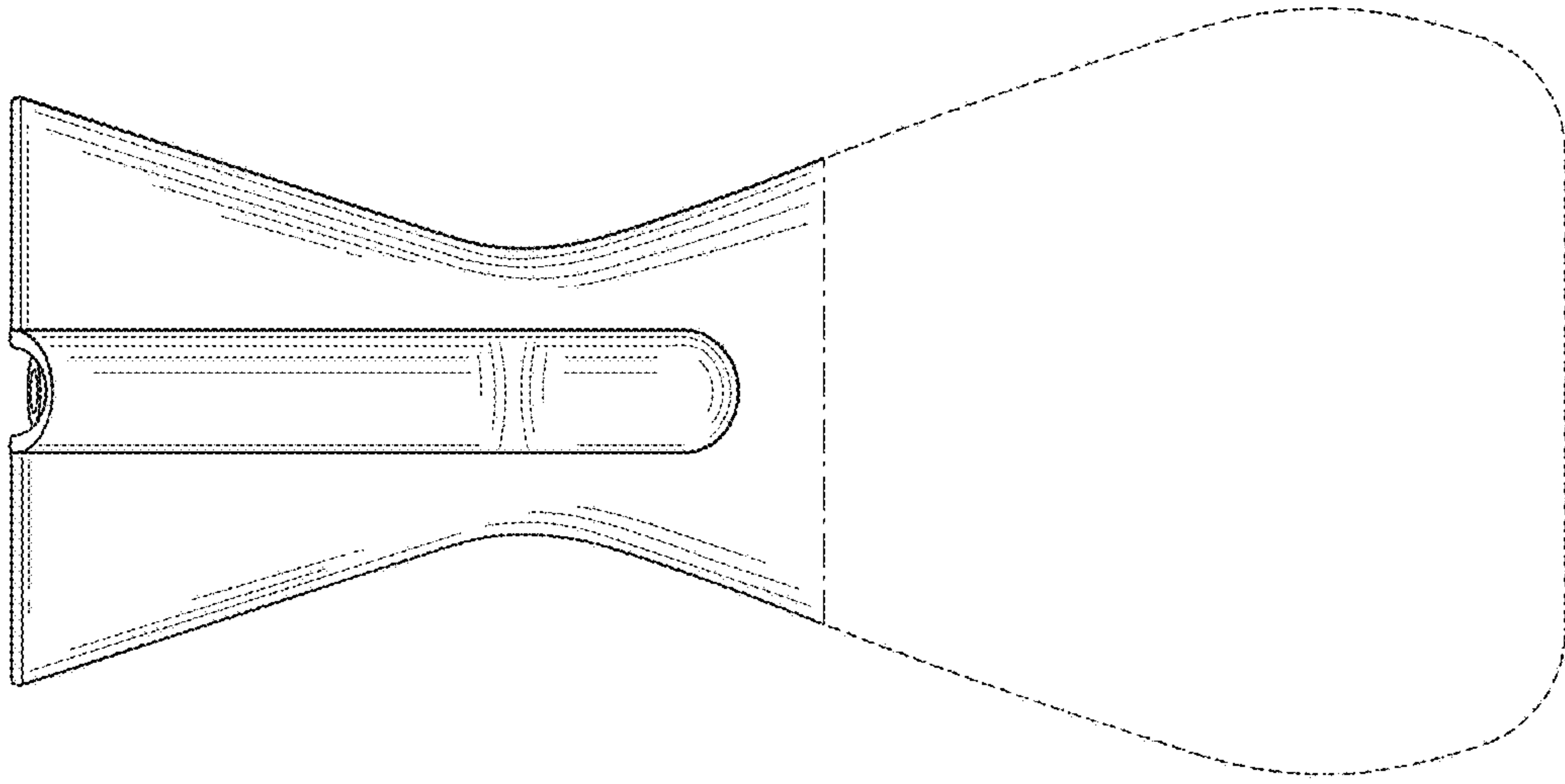


FIG.6



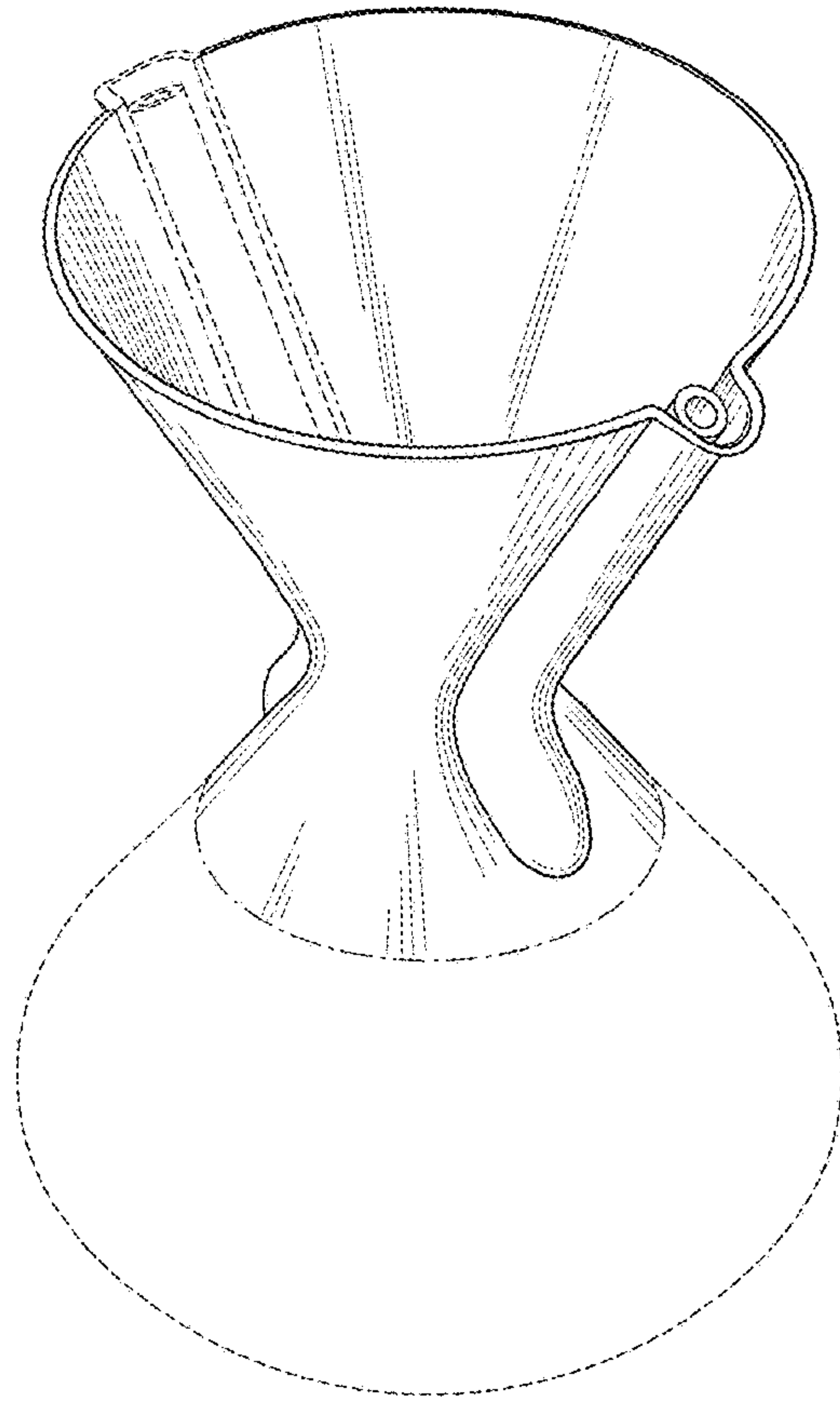


FIG. 7

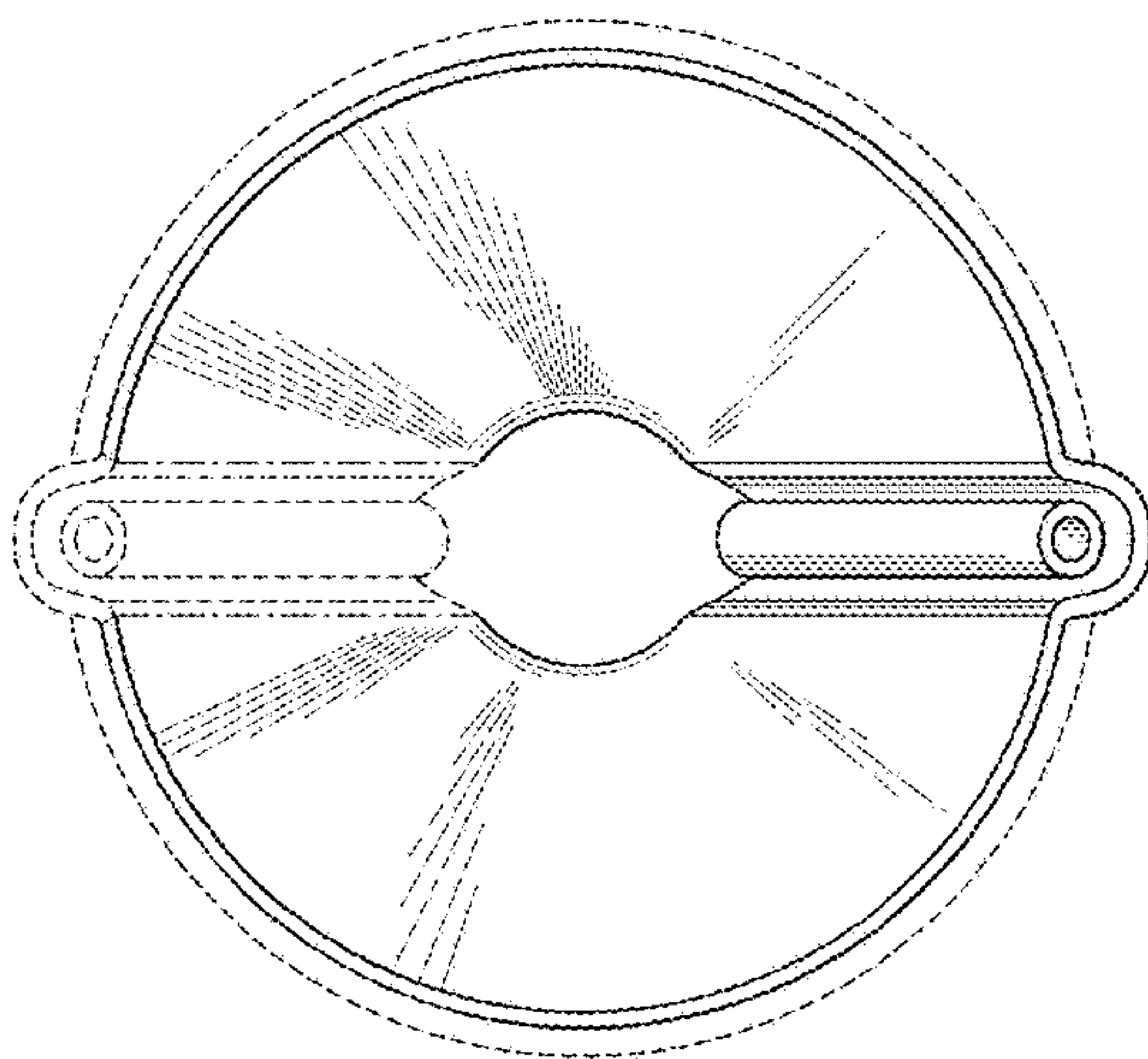


FIG. 8

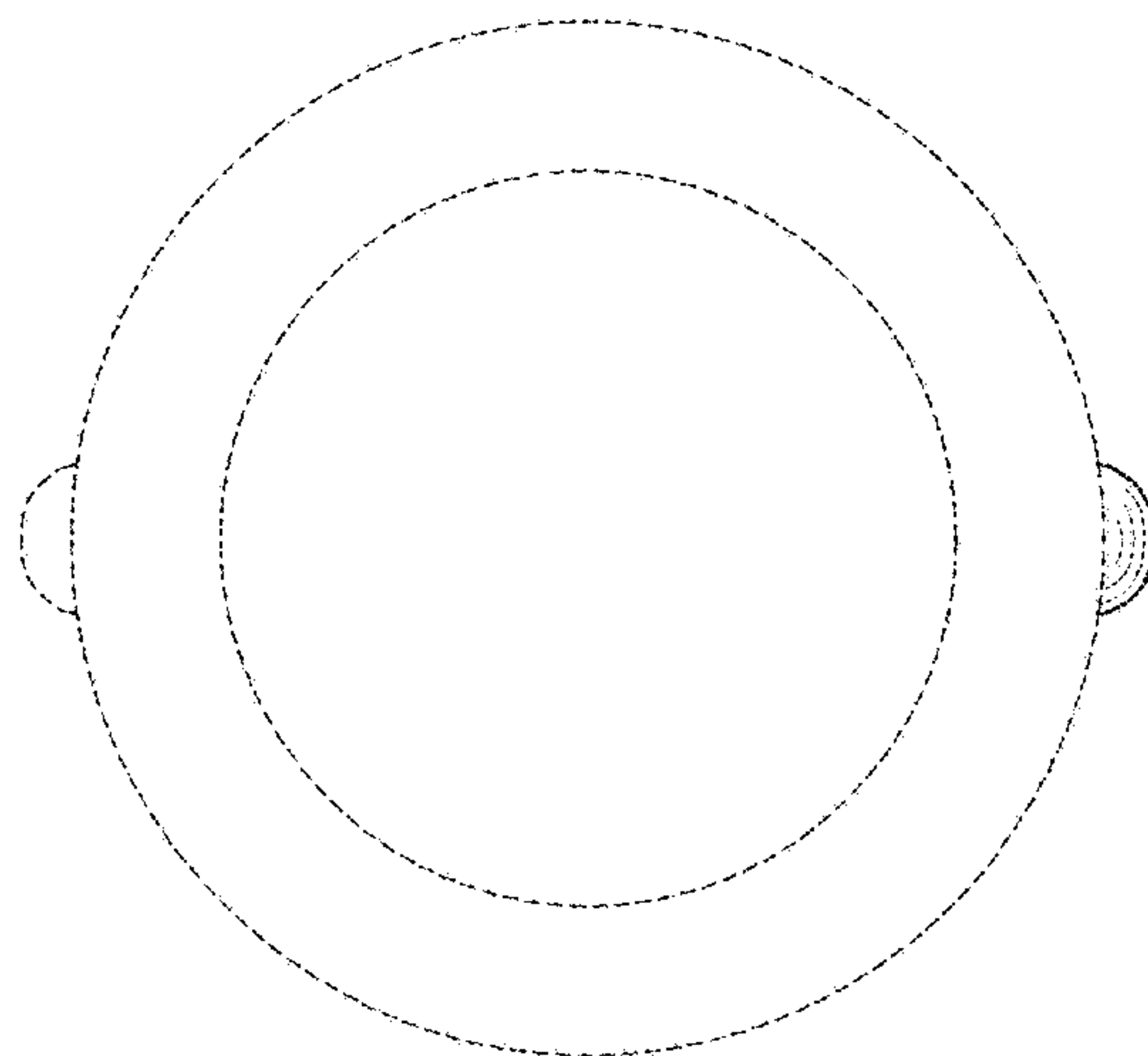


FIG. 9

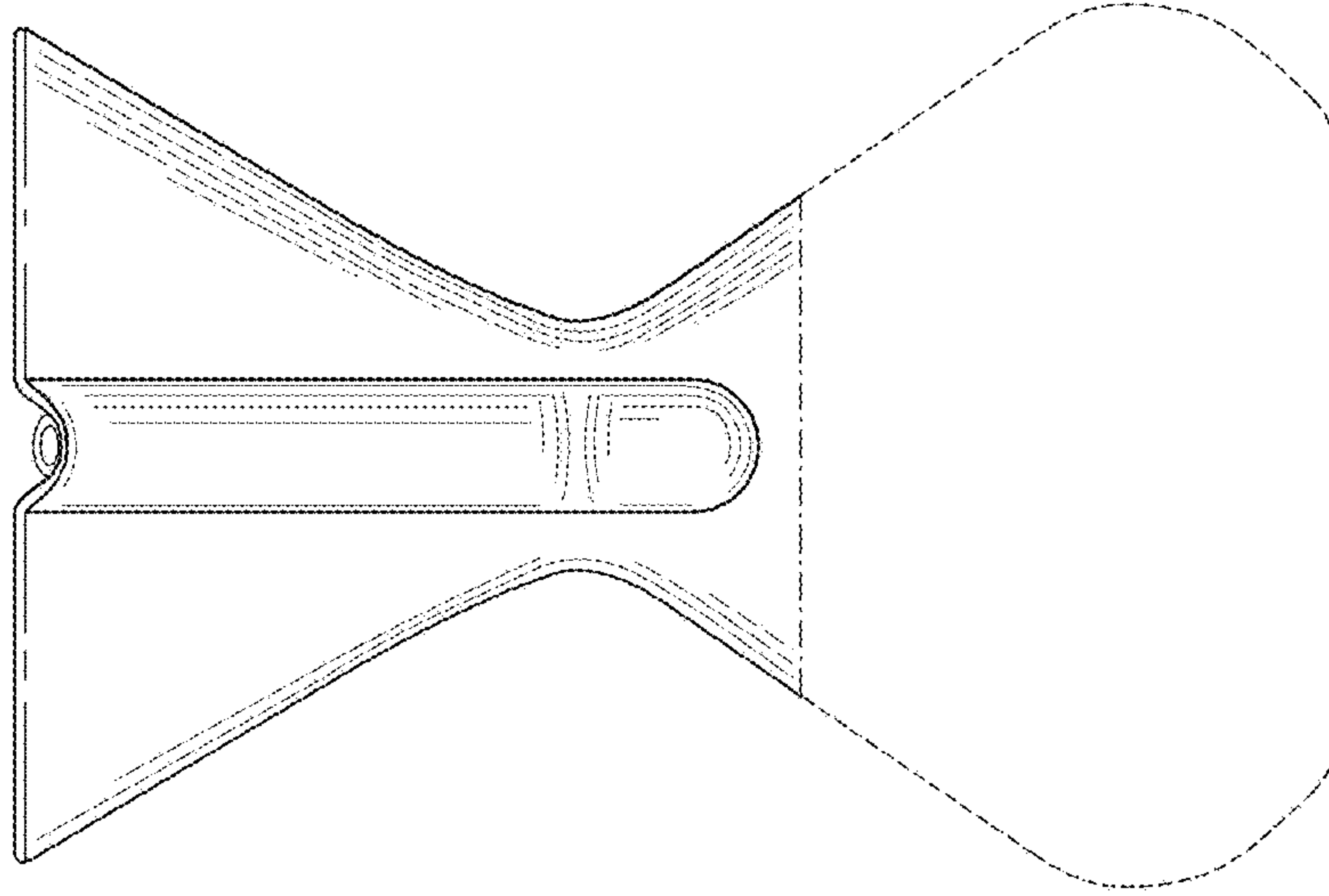


FIG.10

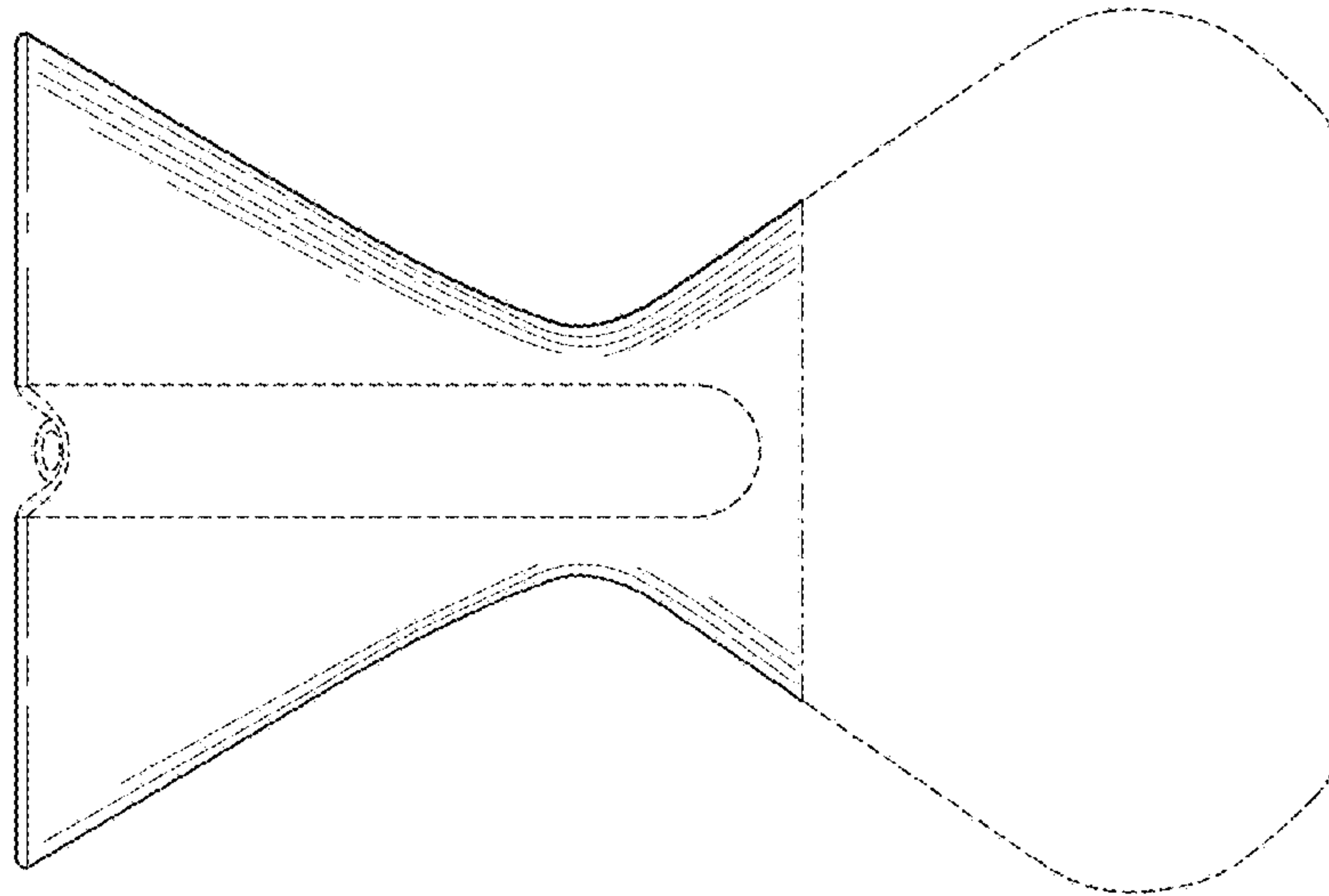


FIG.11

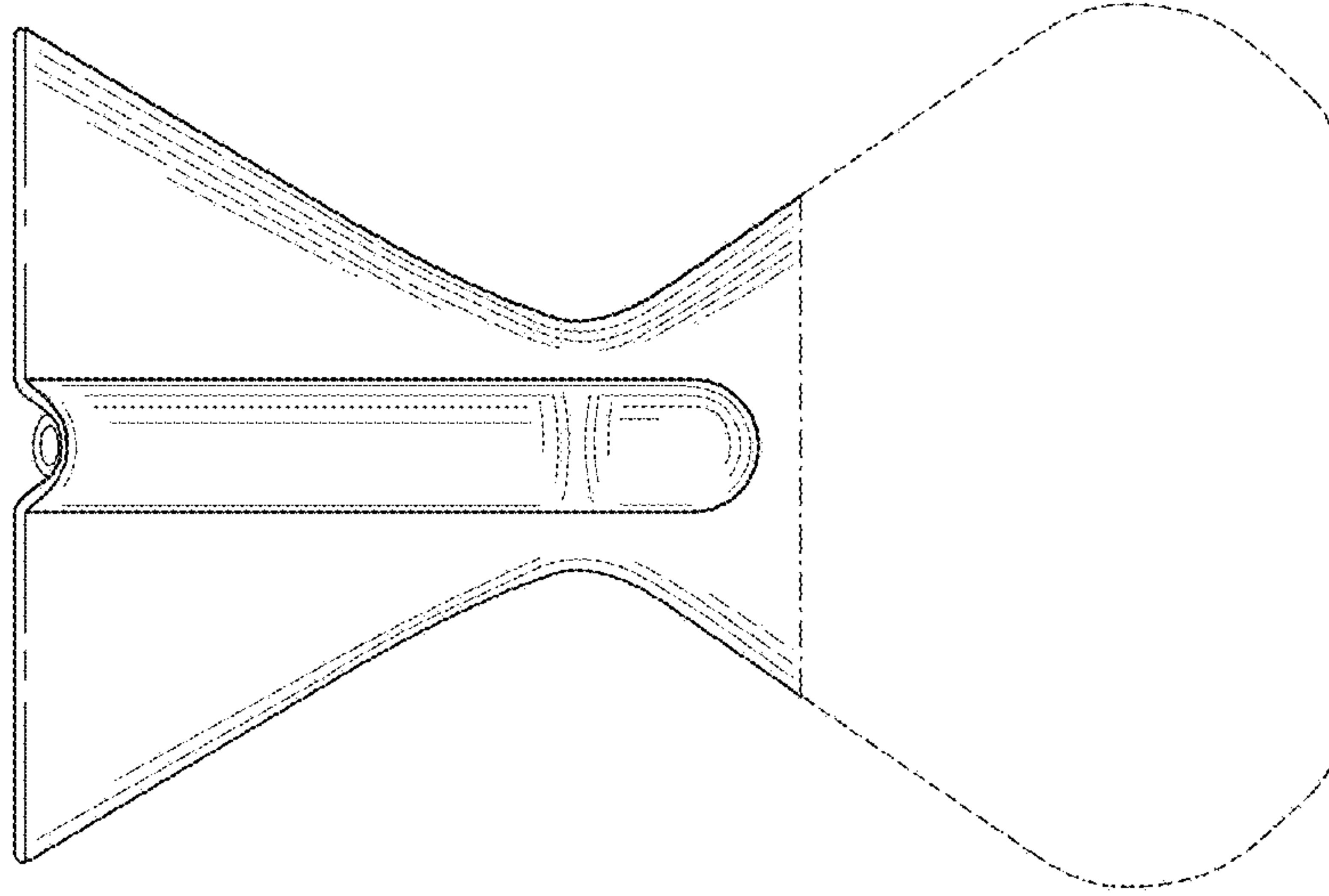


FIG.12

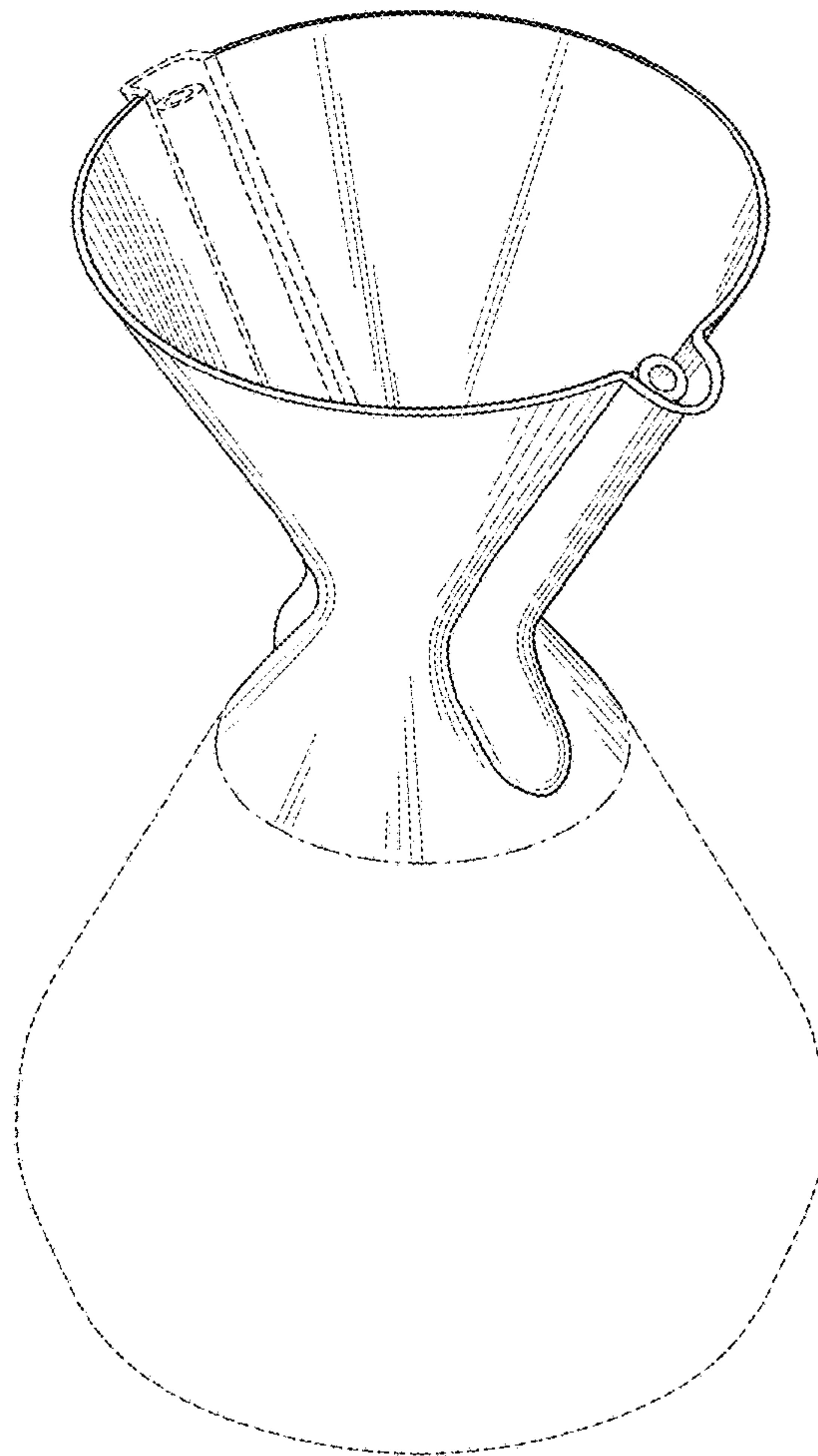


FIG. 13

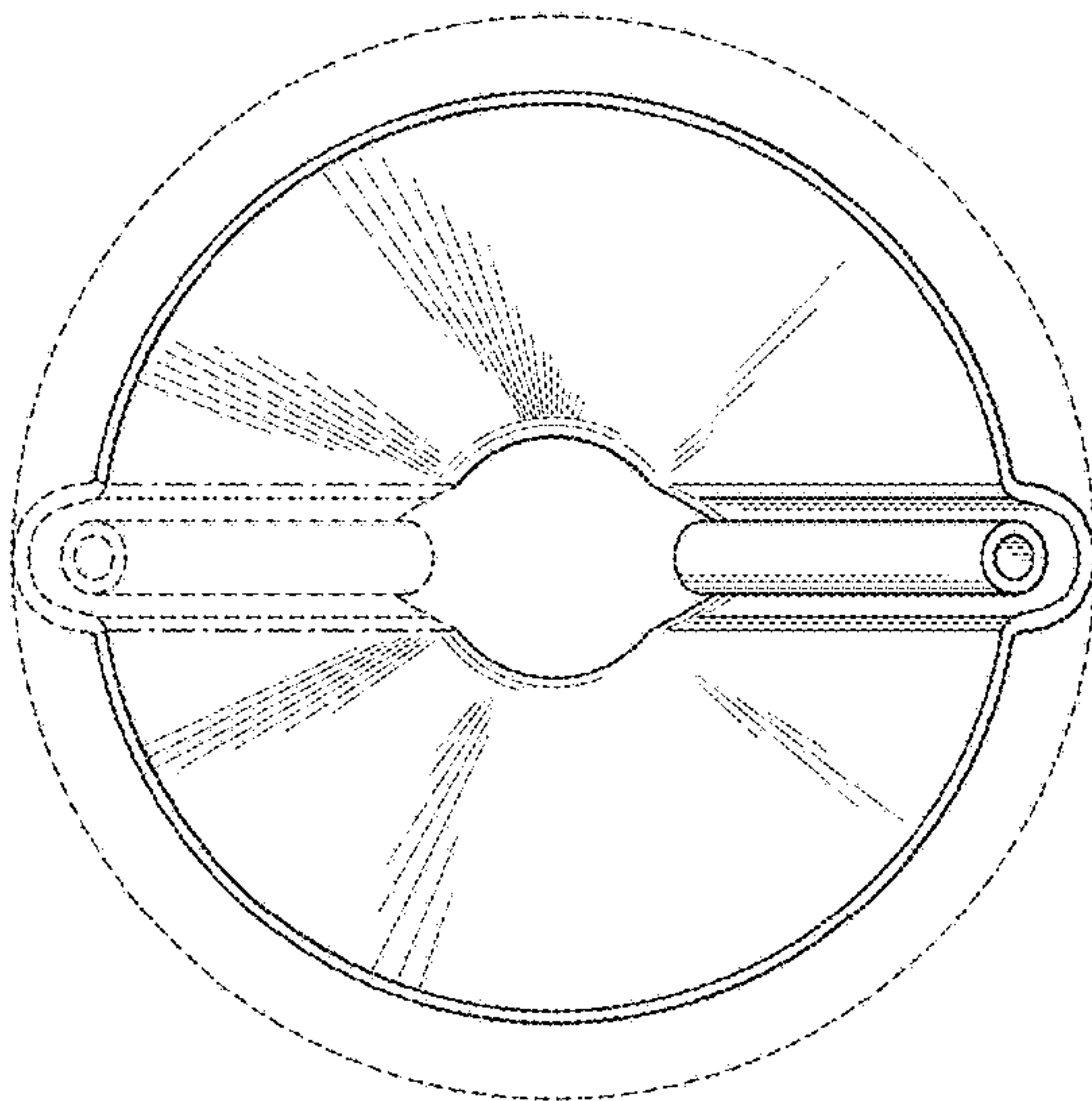


FIG. 14

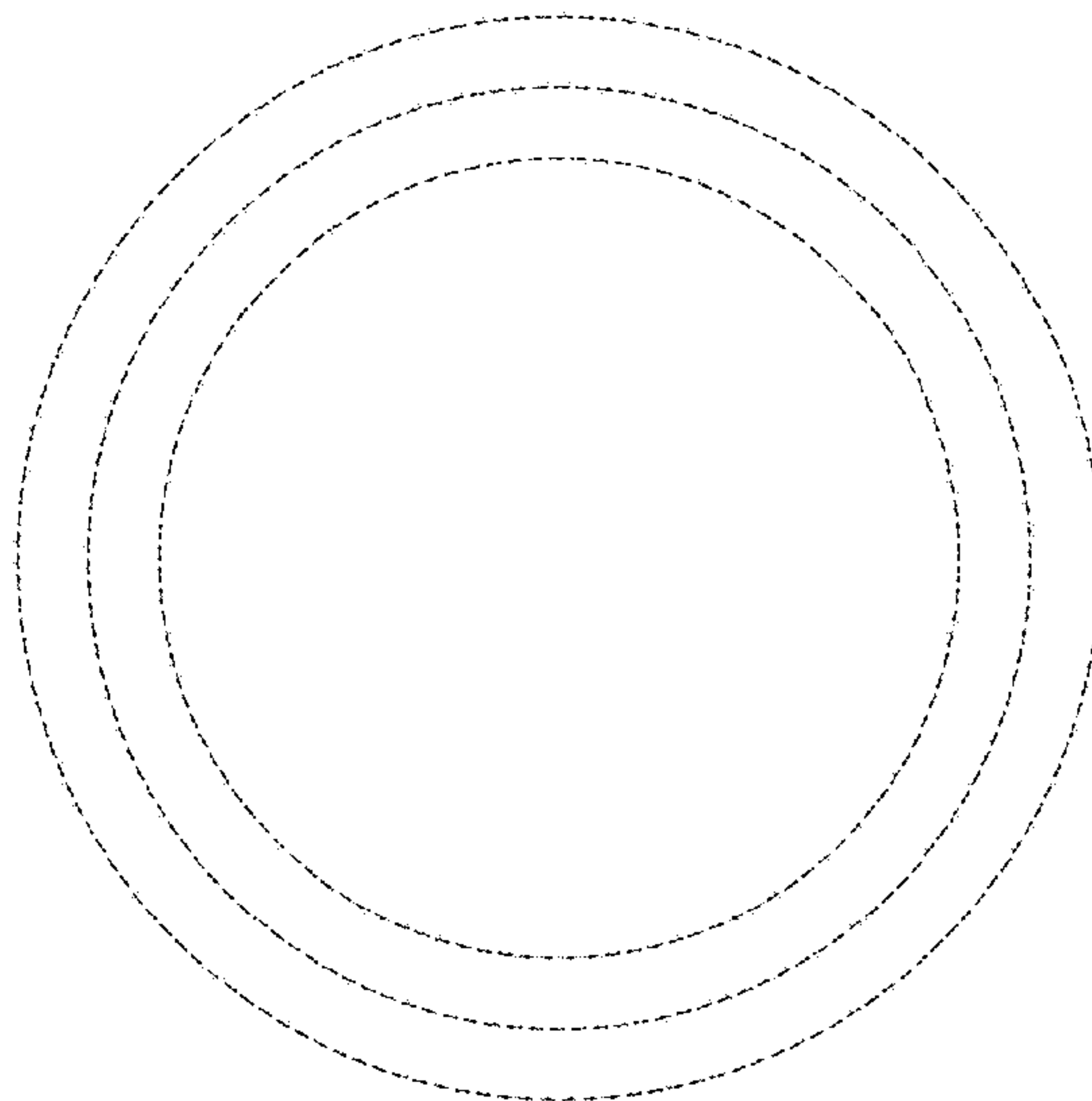


FIG. 15

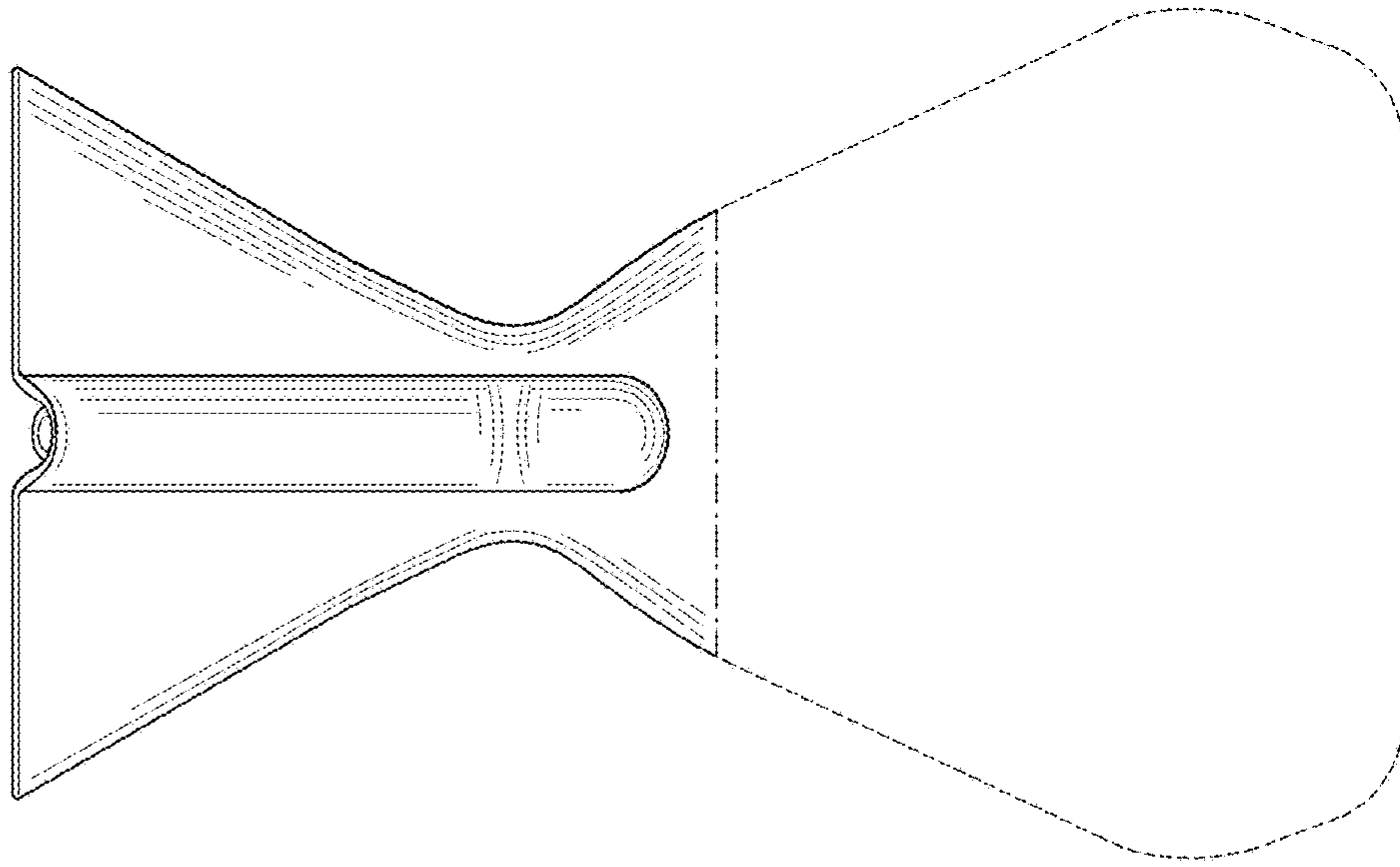


FIG.16

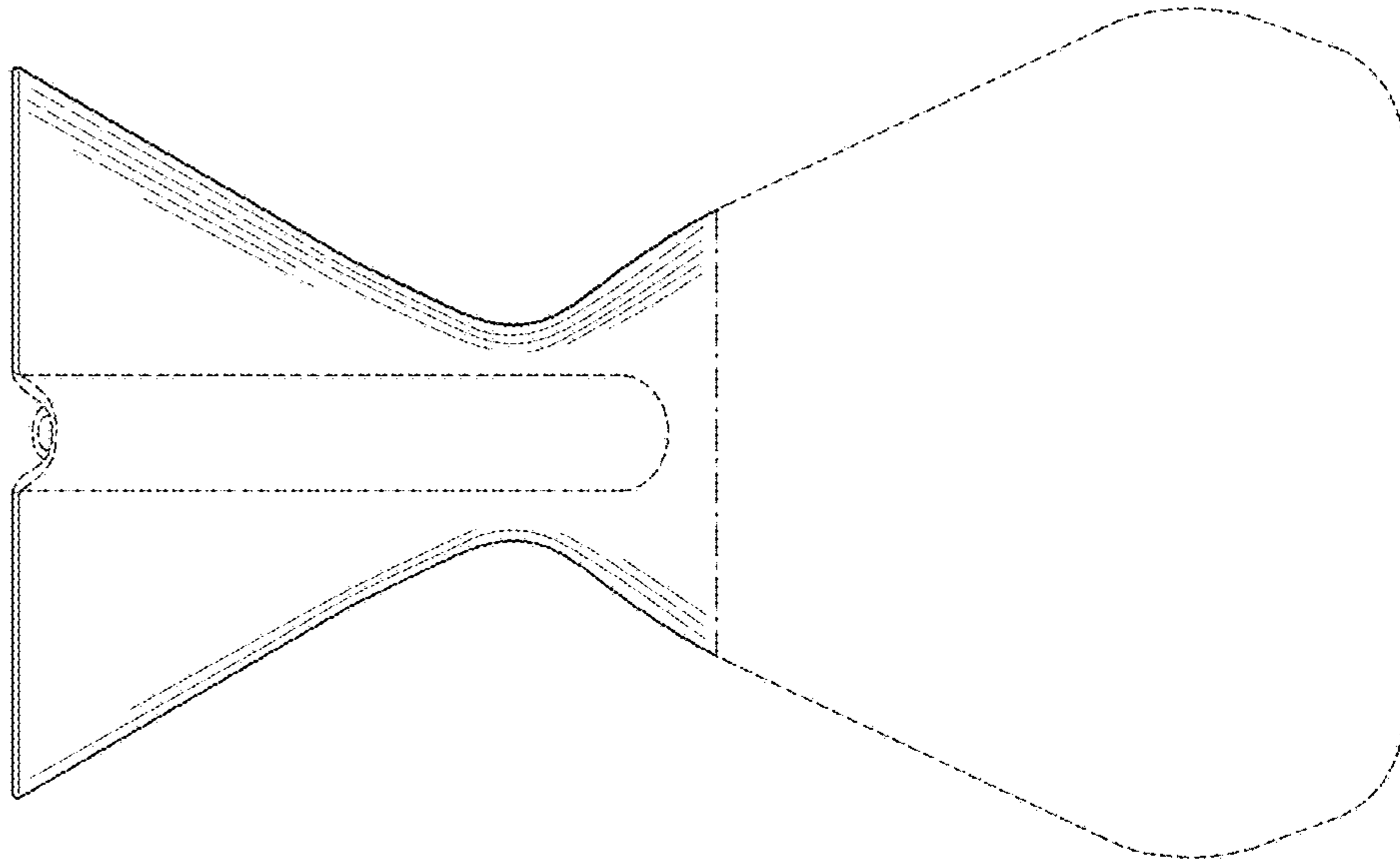


FIG.17

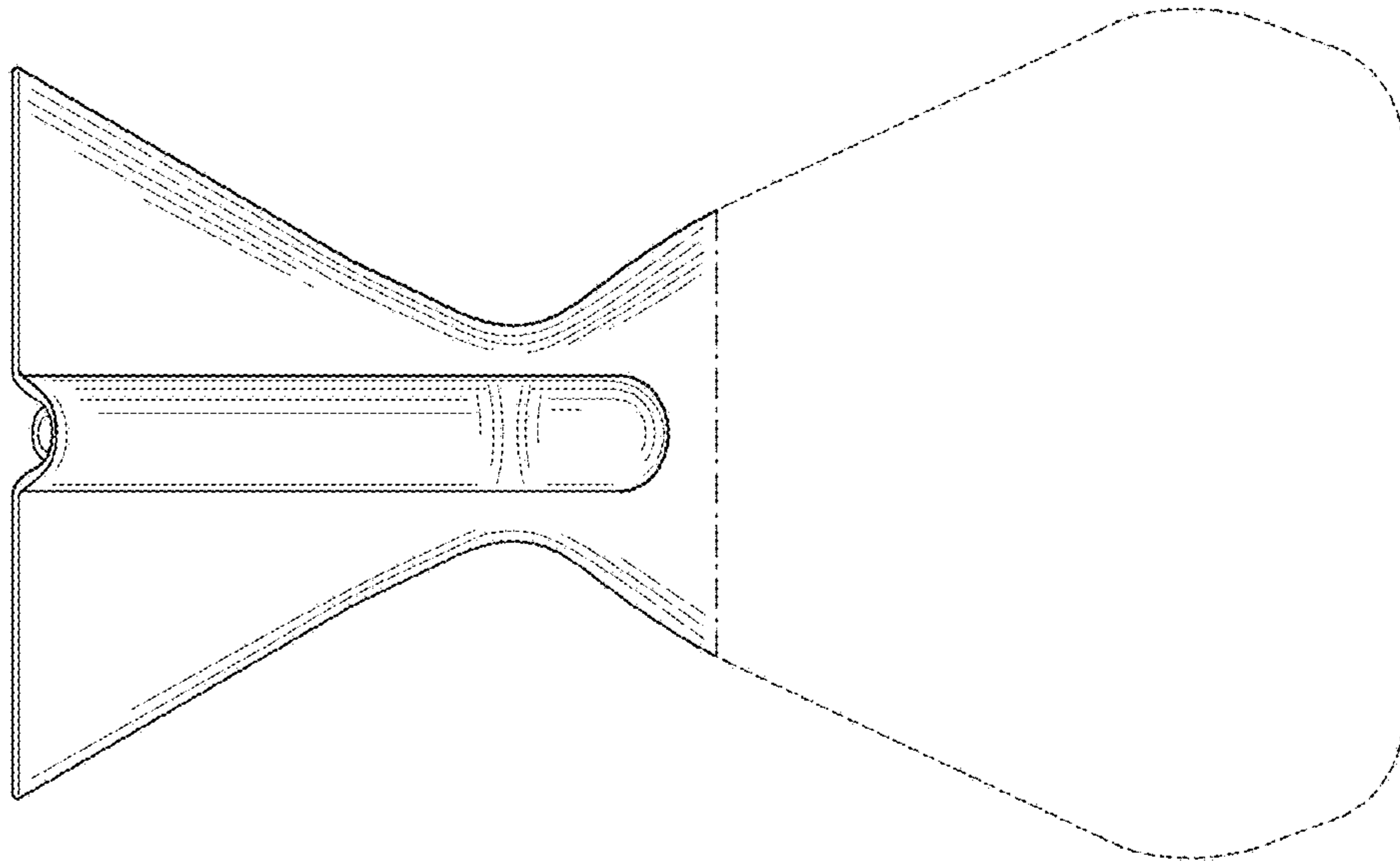


FIG.18