



US00D817088S

(12) **United States Design Patent** (10) **Patent No.:** **US D817,088 S**
Shirley (45) **Date of Patent:** **** May 8, 2018**

(54) **STRAW CAP**

(71) Applicant: **Dart Industries Inc.**, Orlando, FL (US)

(72) Inventor: **Nathan E. Shirley**, Vancouver, WA (US)

(73) Assignee: **Dart Industries Inc.**, Orlando, FL (US)

(**) Term: **15 Years**

(21) Appl. No.: **29/599,724**

(22) Filed: **Apr. 6, 2017**

(51) **LOC (11) Cl.** **07-99**

(52) **U.S. Cl.**
USPC **D7/396.2; D7/398**

(58) **Field of Classification Search**
USPC D7/510, 511, 608, 300.1, 591, 392.1,
D7/396.2, 529, 533-536; D9/503, 504,
D9/434
CPC A47G 19/22; A47G 19/2205; B65D 41/04;
B65D 43/02
See application file for complete search history.

(56) **References Cited**

U.S. PATENT DOCUMENTS

D419,370 S *	1/2000	Busick	D7/392
D426,746 S *	6/2000	Busick	D7/397
D609,964 S *	2/2010	Lane	D7/392.1
D675,060 S *	1/2013	Lane	D7/392.1
D725,436 S *	3/2015	Miller	D7/396.2
D725,966 S *	4/2015	Boroski	D7/511
D739,183 S *	9/2015	Lane	D7/605
D740,605 S *	10/2015	Wodka	D7/396.2
D763,622 S *	8/2016	Shirley	D7/511
9,567,140 B2 *	2/2017	Backaert	A47G 23/16

(Continued)

OTHER PUBLICATIONS

U.S. Appl. No. 29/594,569; public disclosure Feb. 2017; "Cap for Drinking Flask;" Julie L. Yessin et al.

Primary Examiner — Daniel D Bui

Assistant Examiner — Andrew Kerr

(74) *Attorney, Agent, or Firm* — Taylor J. Ross

(57) **CLAIM**

The ornamental design for a straw cap, as shown and described.

DESCRIPTION

FIG. 1 is a top, front and right side perspective view of a straw cap showing my new design shown in the closed position;

FIG. 2 is a bottom, front and left side perspective view thereof;

FIG. 3 is a left side elevation view, the right side being a mirror image thereof;

FIG. 4 is a rear elevation view thereof;

FIG. 5 is a front elevation view thereof;

FIG. 6 is a top plan view thereof;

FIG. 7 is a bottom plan view thereof;

FIG. 8 is a cross-sectional view taken along line 8-8 of FIG. 6;

FIG. 9 is a cross-sectional view taken along line 9-9 of FIG. 6;

FIG. 10 is a top, front and right side perspective view of a straw cap showing my new design shown in the open position;

FIG. 11 is a bottom, front and left side perspective view thereof;

FIG. 12 is a left side elevation view, the right side being a mirror image thereof;

FIG. 13 is a rear elevation view thereof;

FIG. 14 is a front elevation view thereof;

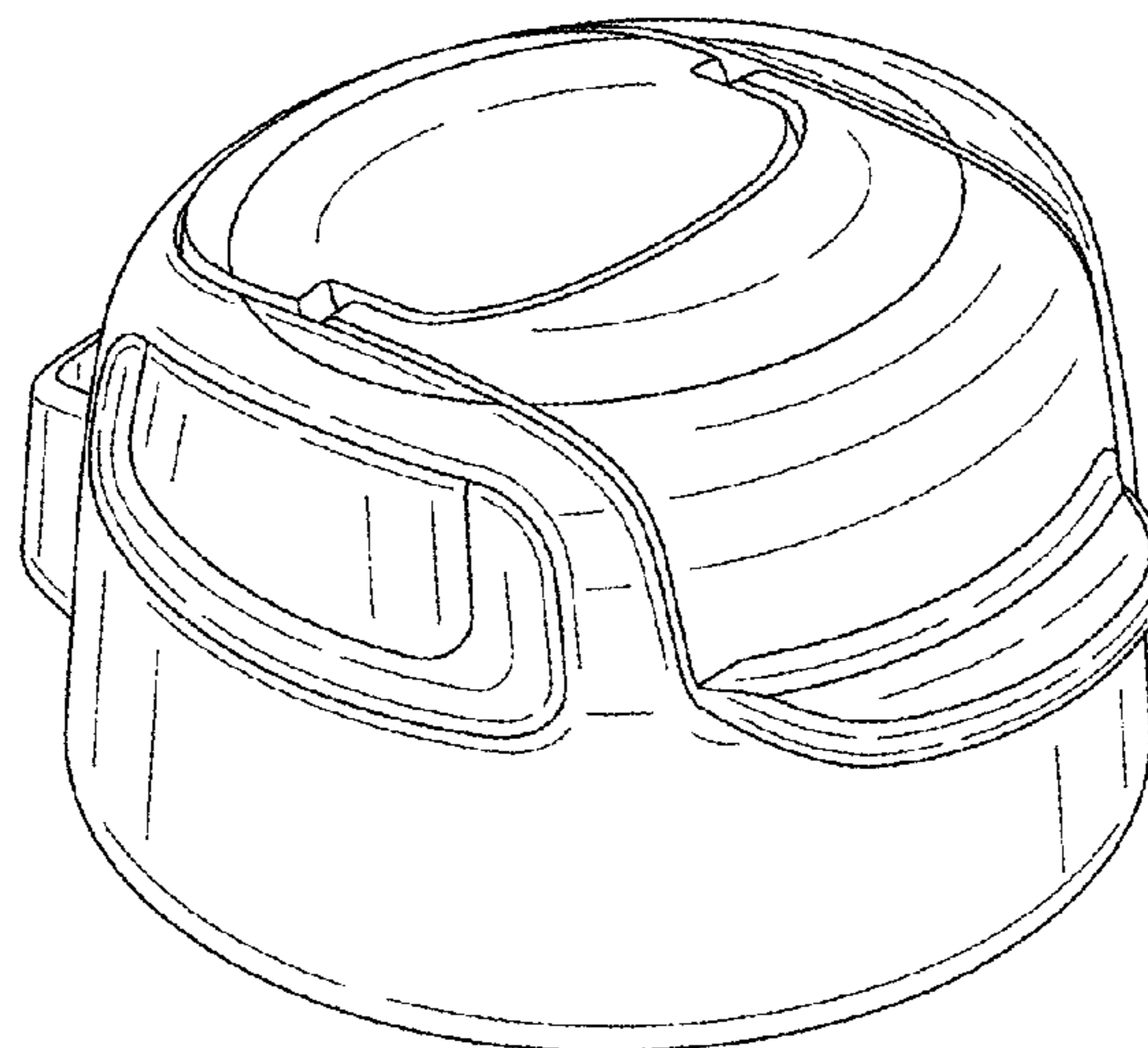
FIG. 15 is a top plan view thereof;

FIG. 16 is a bottom plan view thereof;

FIG. 17 is a cross-sectional view taken along line 17-17 of FIG. 15; and,

FIG. 18 is a cross-sectional view taken along line 18-18 of FIG. 15.

1 Claim, 8 Drawing Sheets



(56)

References Cited

U.S. PATENT DOCUMENTS

D785,402 S * 5/2017 Shirley D7/392.1
D794,453 S * 8/2017 Boroski D7/392.1
D804,904 S * 12/2017 Noveletsky D7/510
2011/0089059 A1* 4/2011 Lane B65D 47/08
206/222
2012/0312832 A1* 12/2012 Lane B65D 47/066
220/833
2017/0144808 A1* 5/2017 Choltco-Devlin B65D 43/26
2017/0253395 A1* 9/2017 Matthis A47G 19/2272
2017/0349354 A1* 12/2017 Garg B65D 81/3205

* cited by examiner

FIG. 1

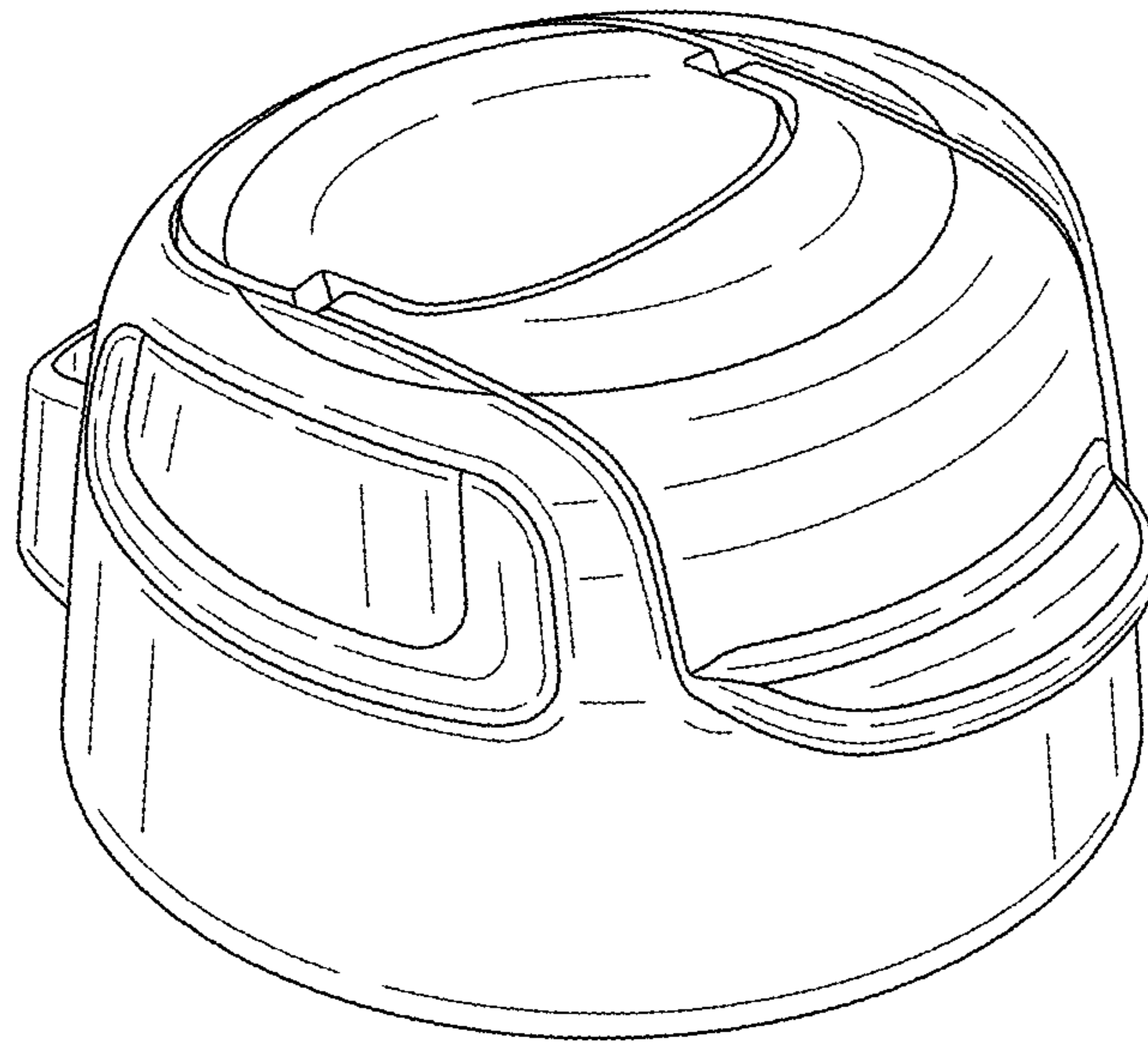


FIG. 2

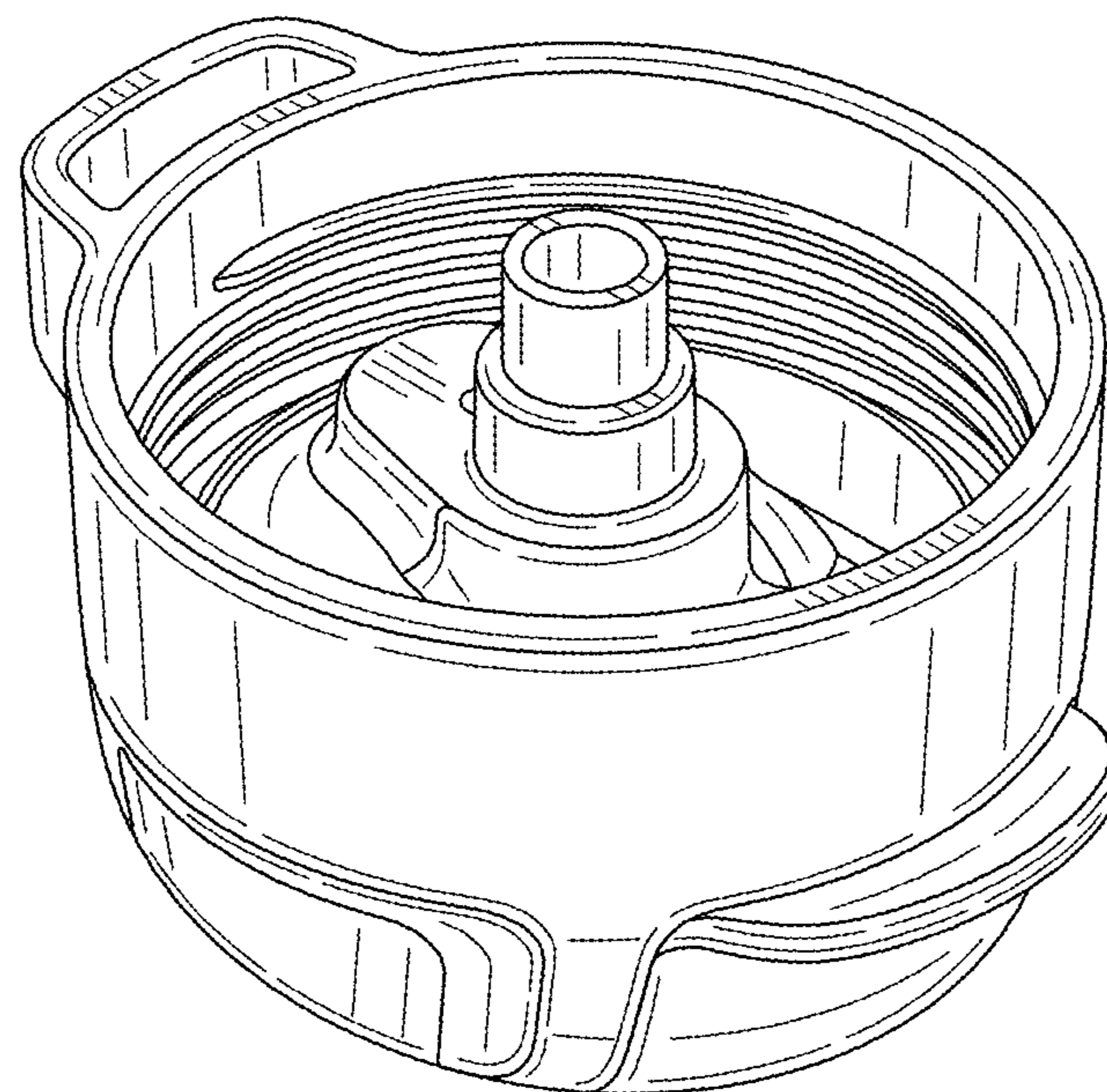


FIG. 3

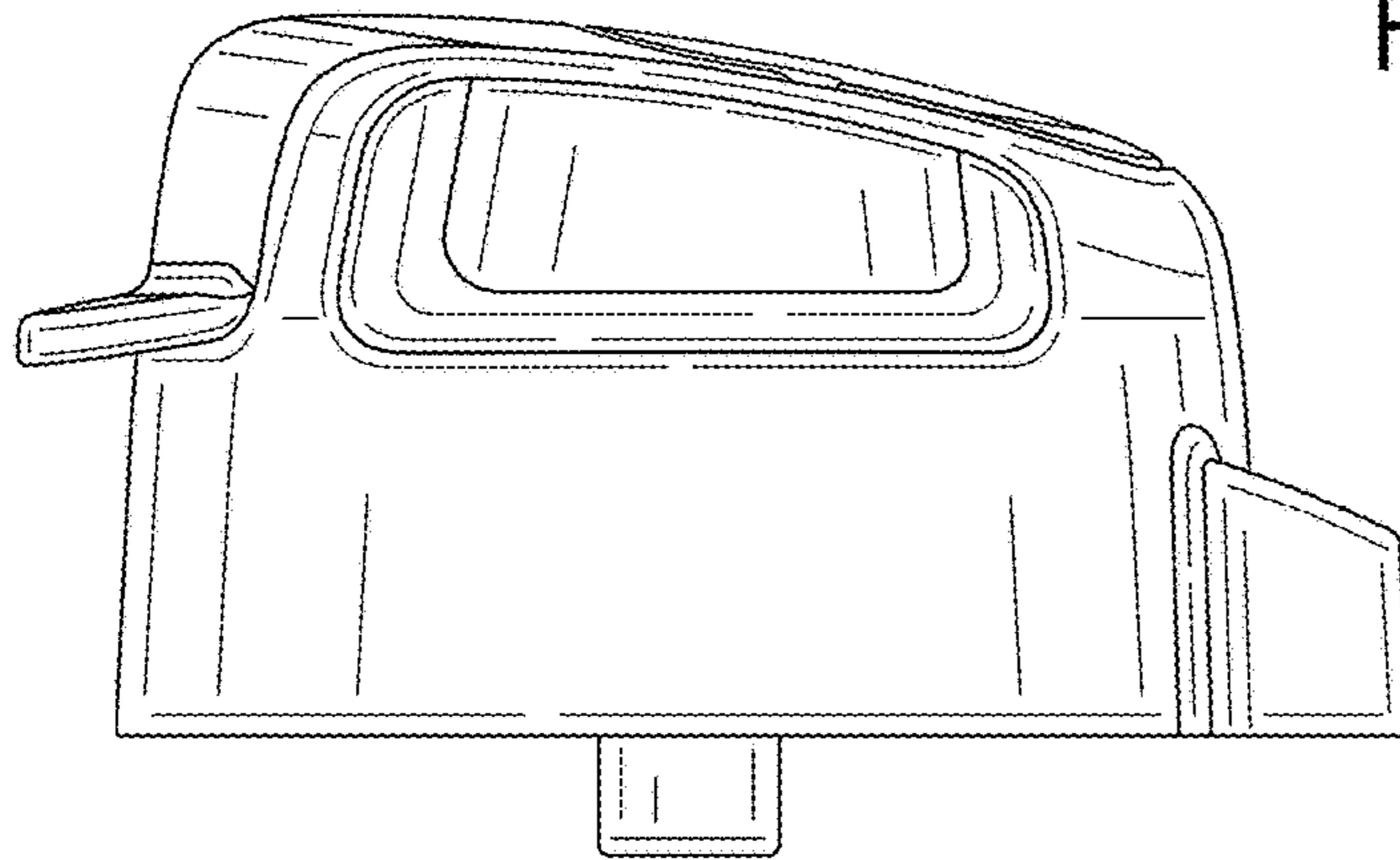


FIG. 4

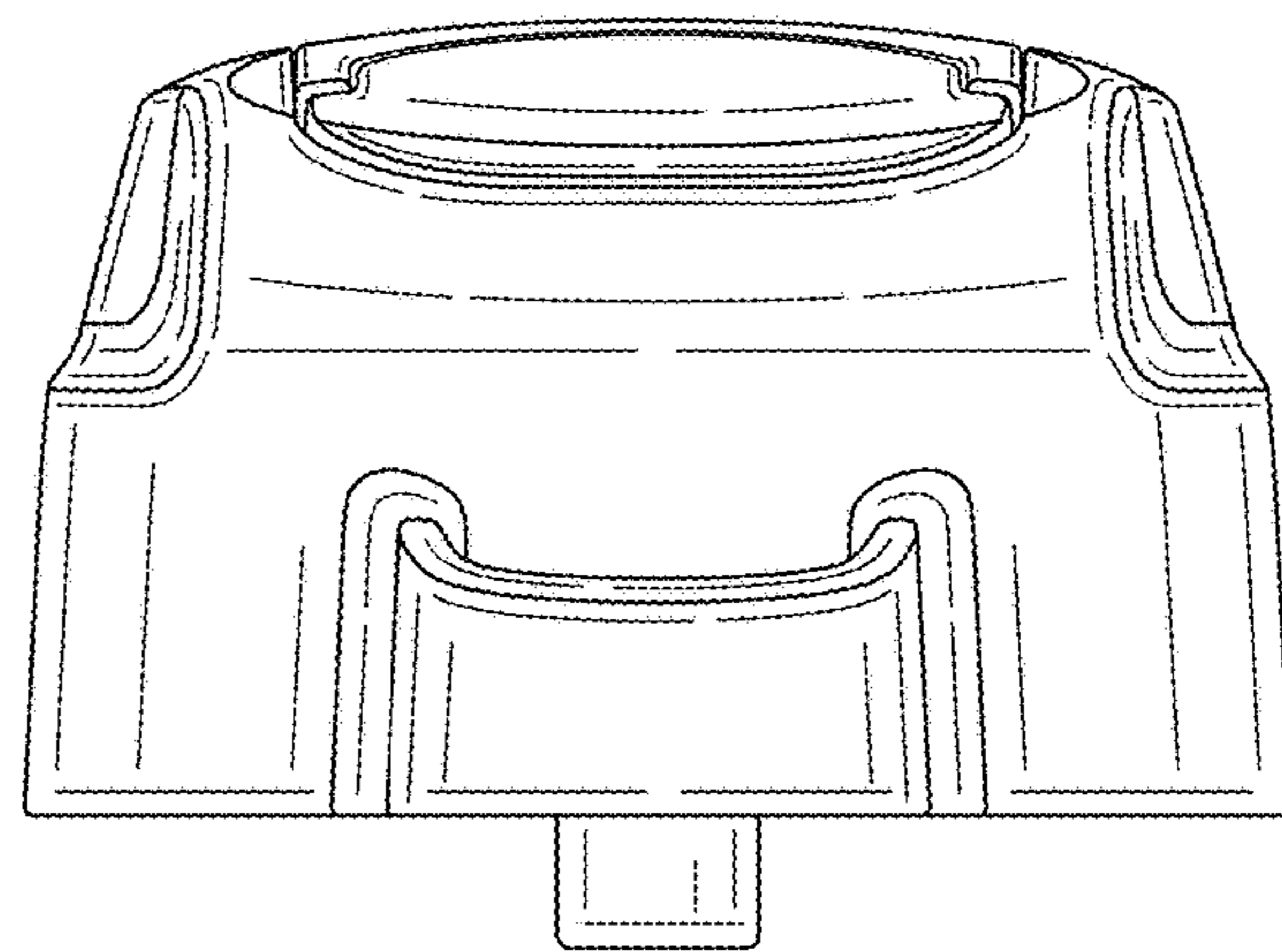


FIG. 5

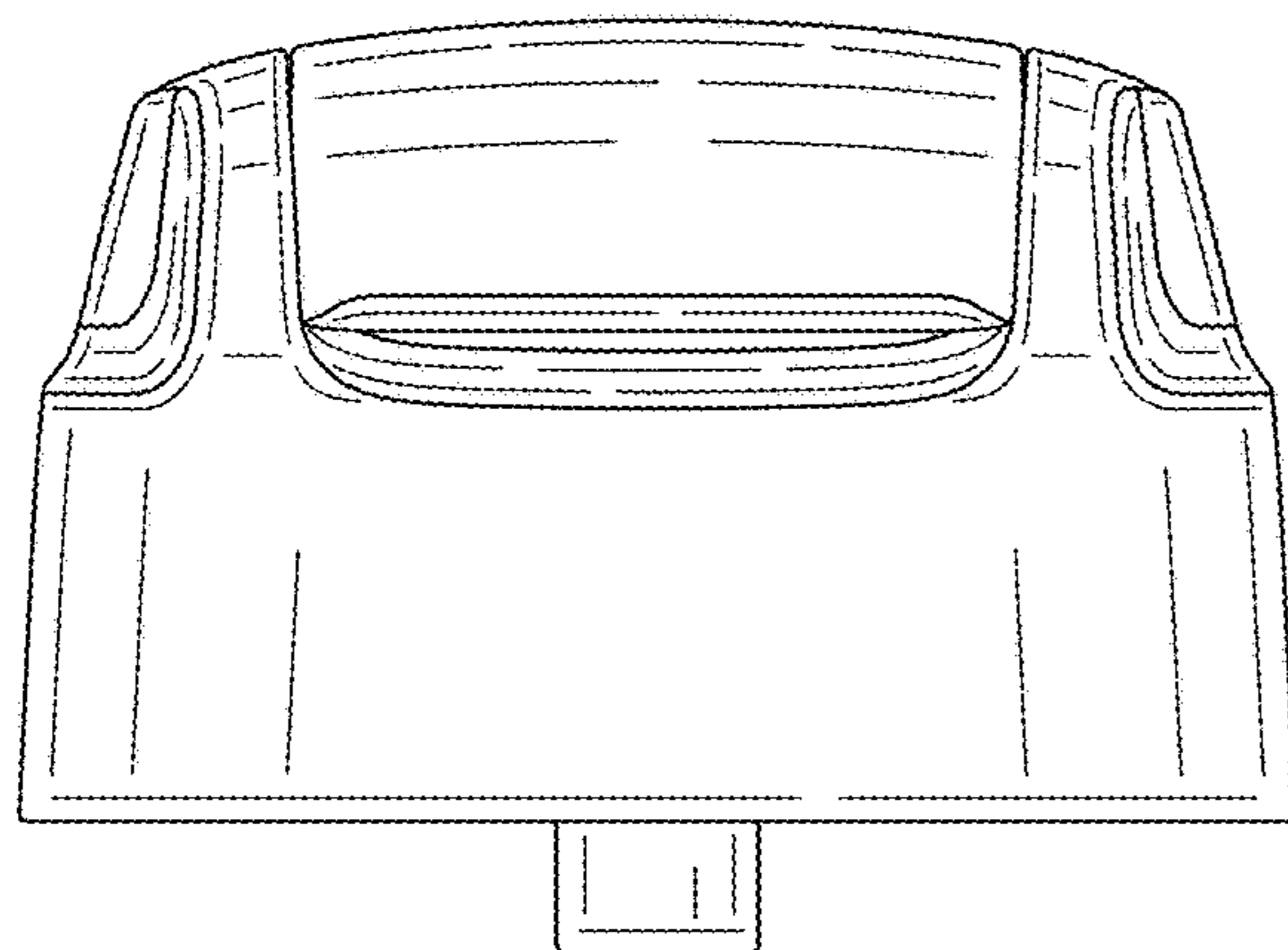


FIG. 6

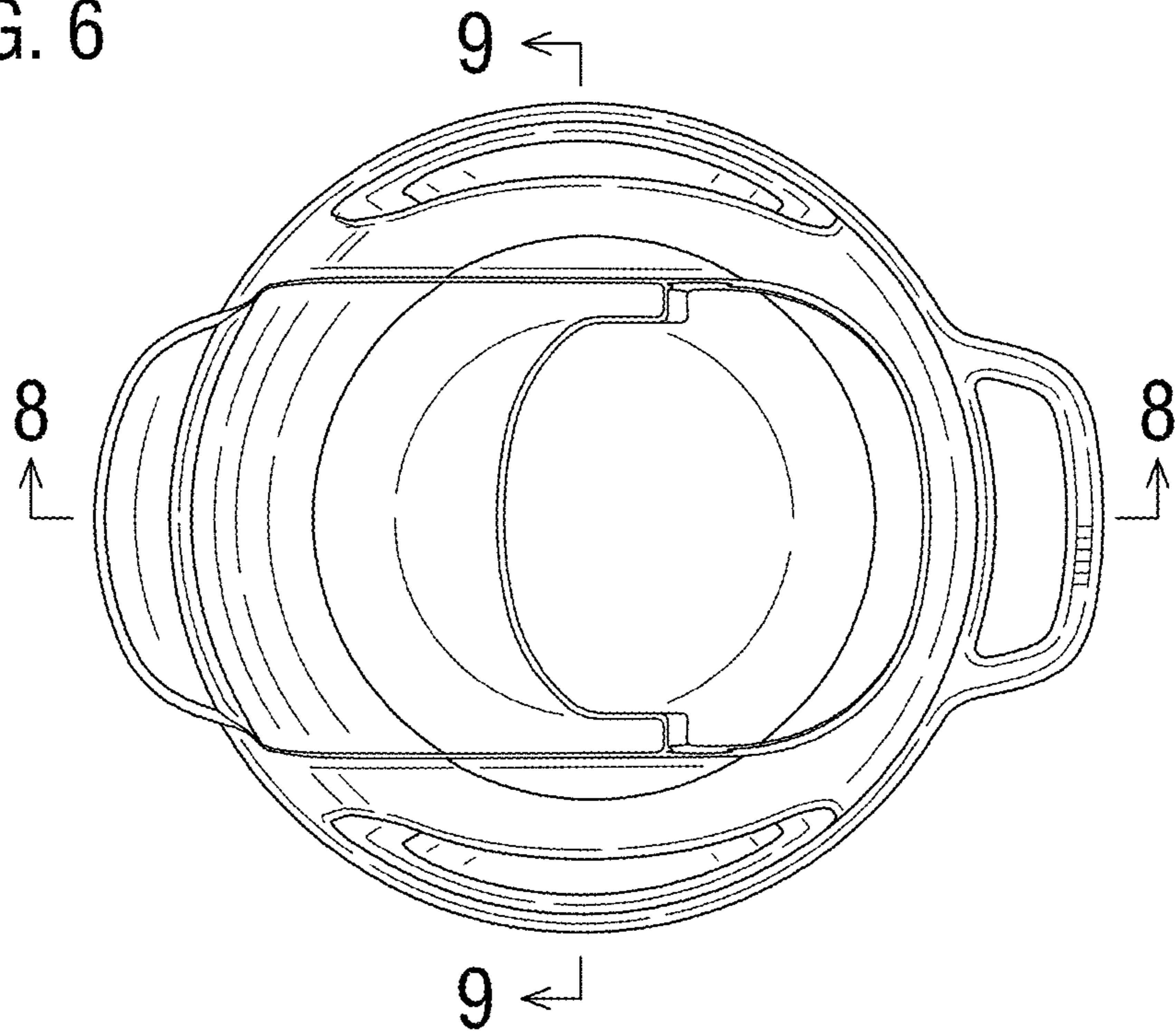


FIG. 7

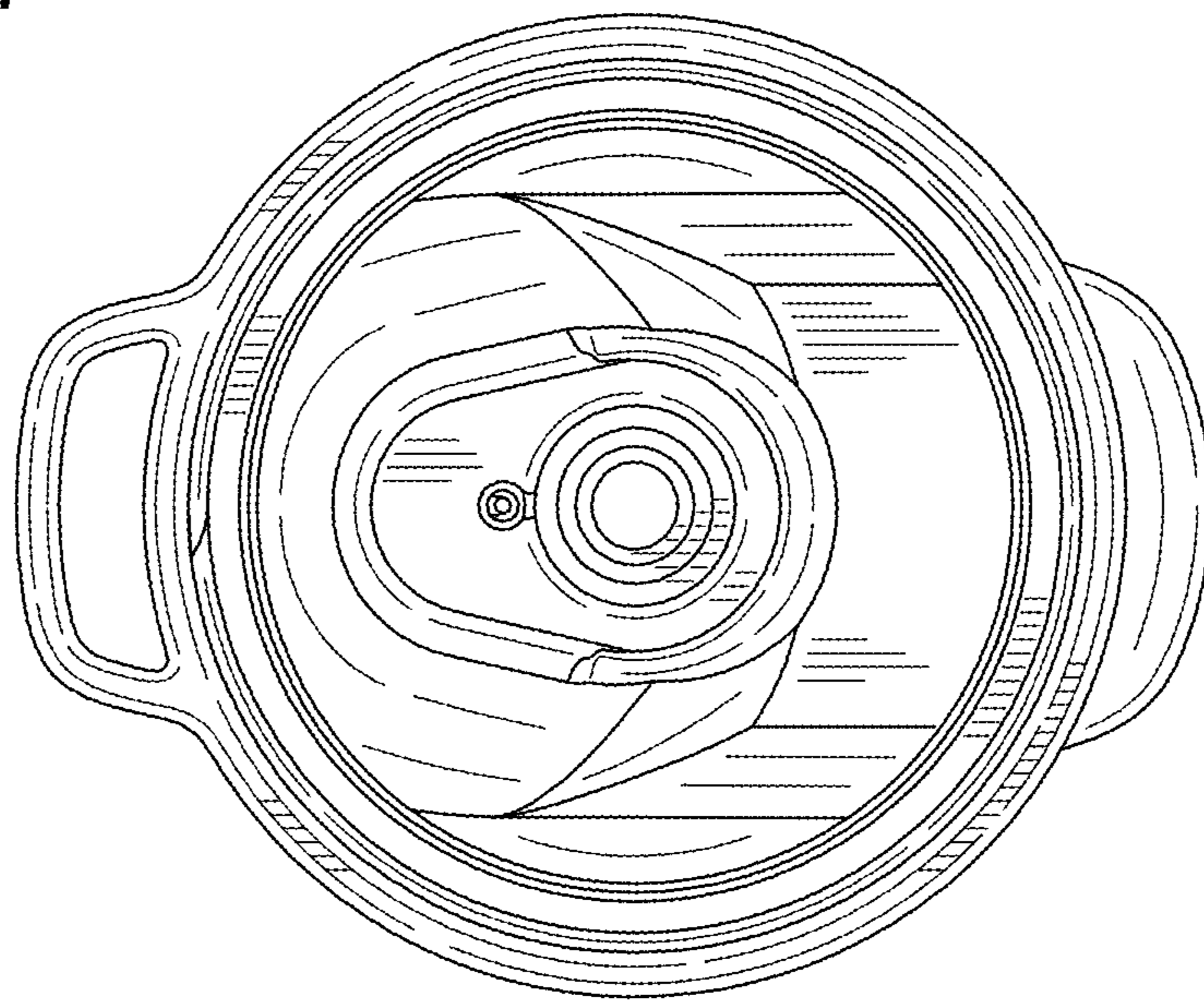


FIG. 8

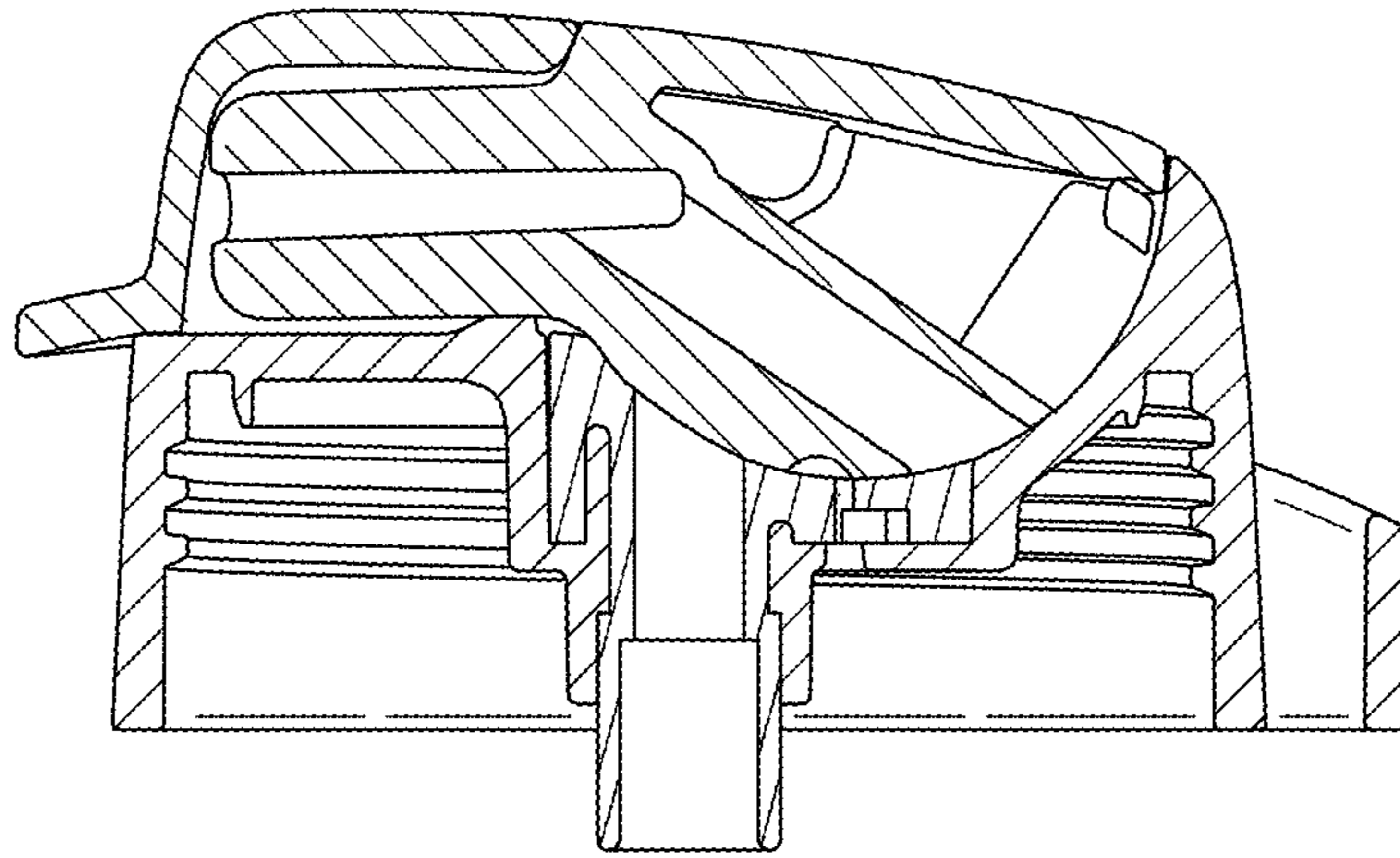


FIG. 9

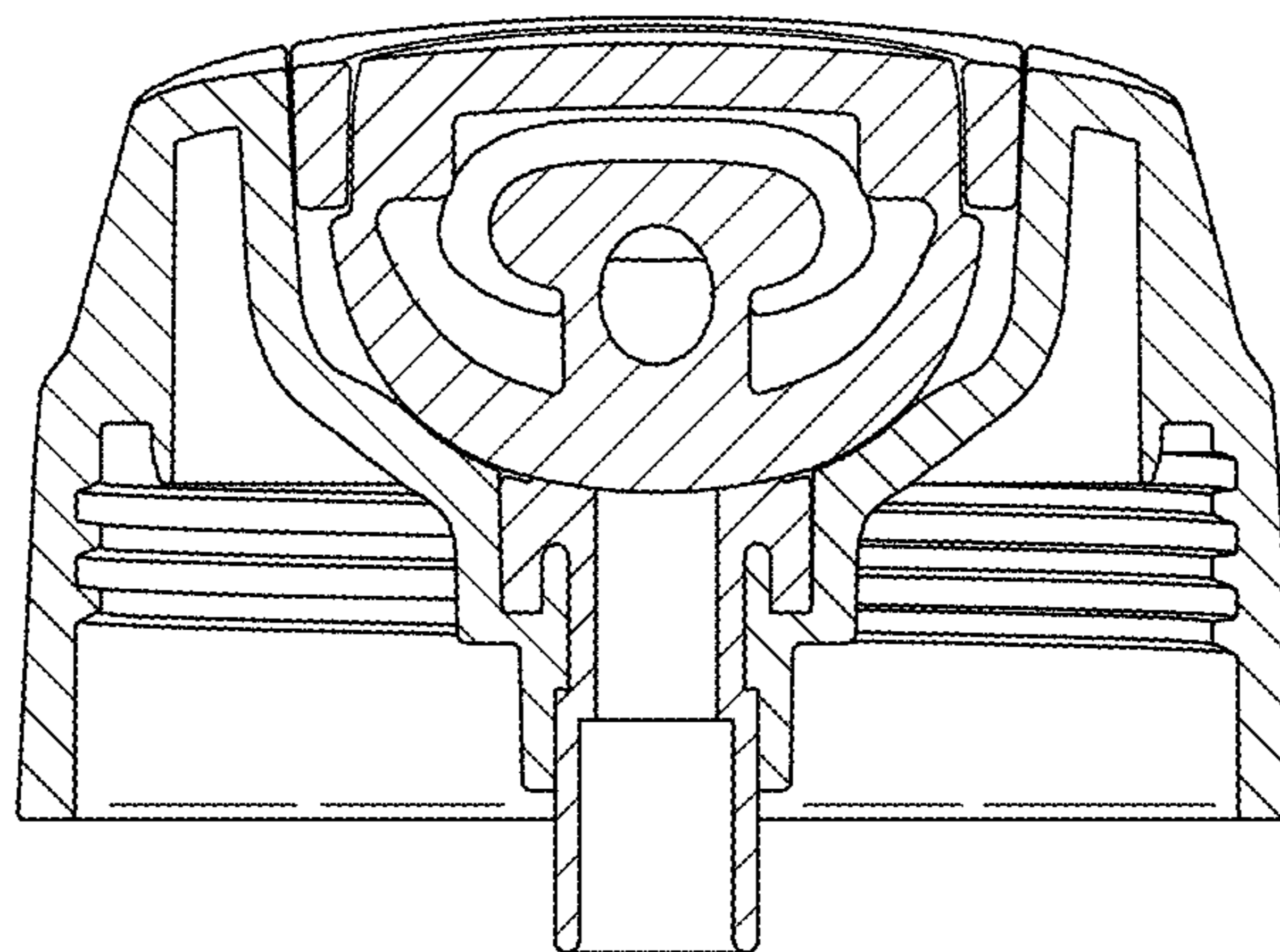


FIG. 10

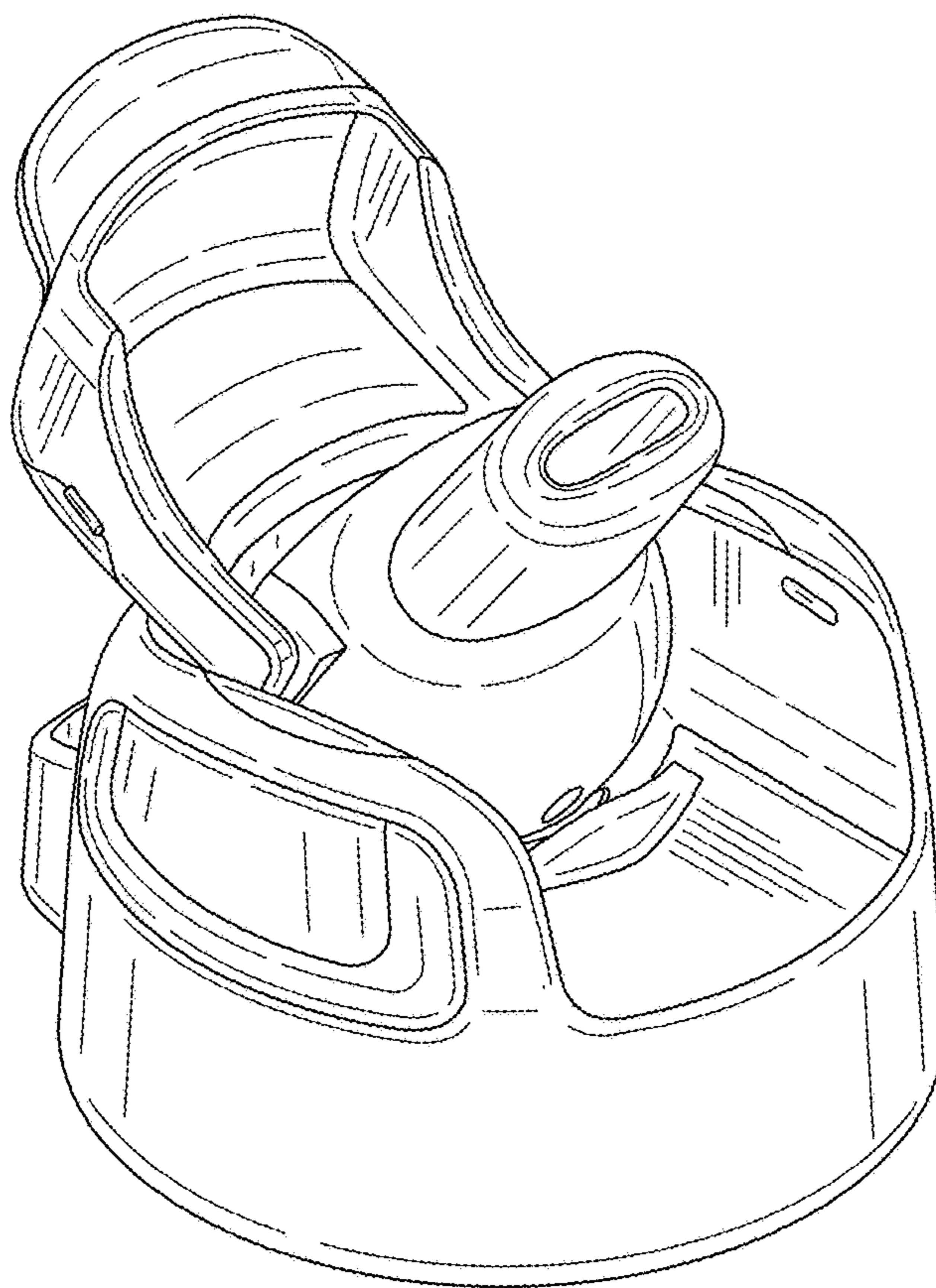
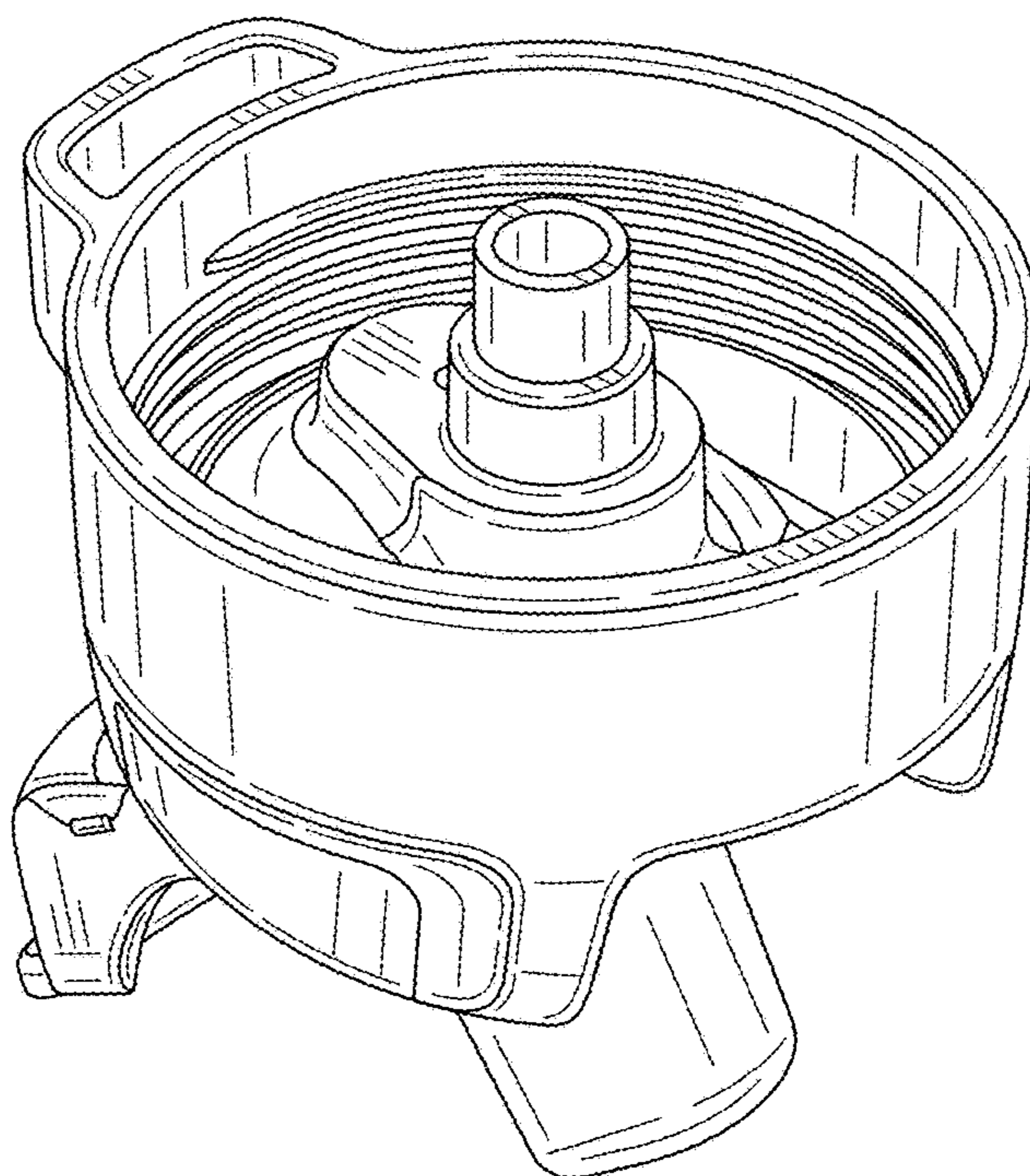


FIG. 11



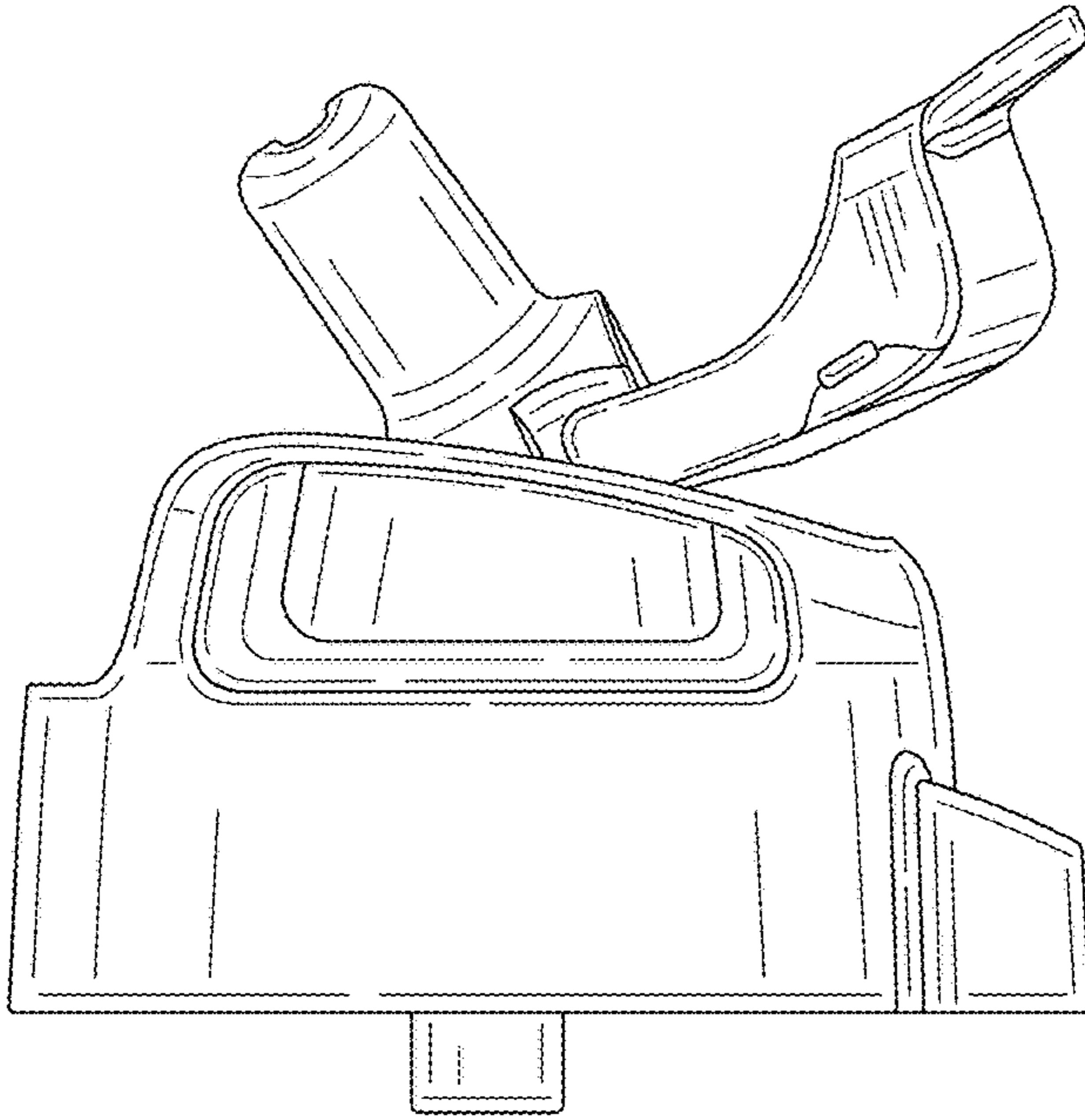


FIG. 12

FIG. 13

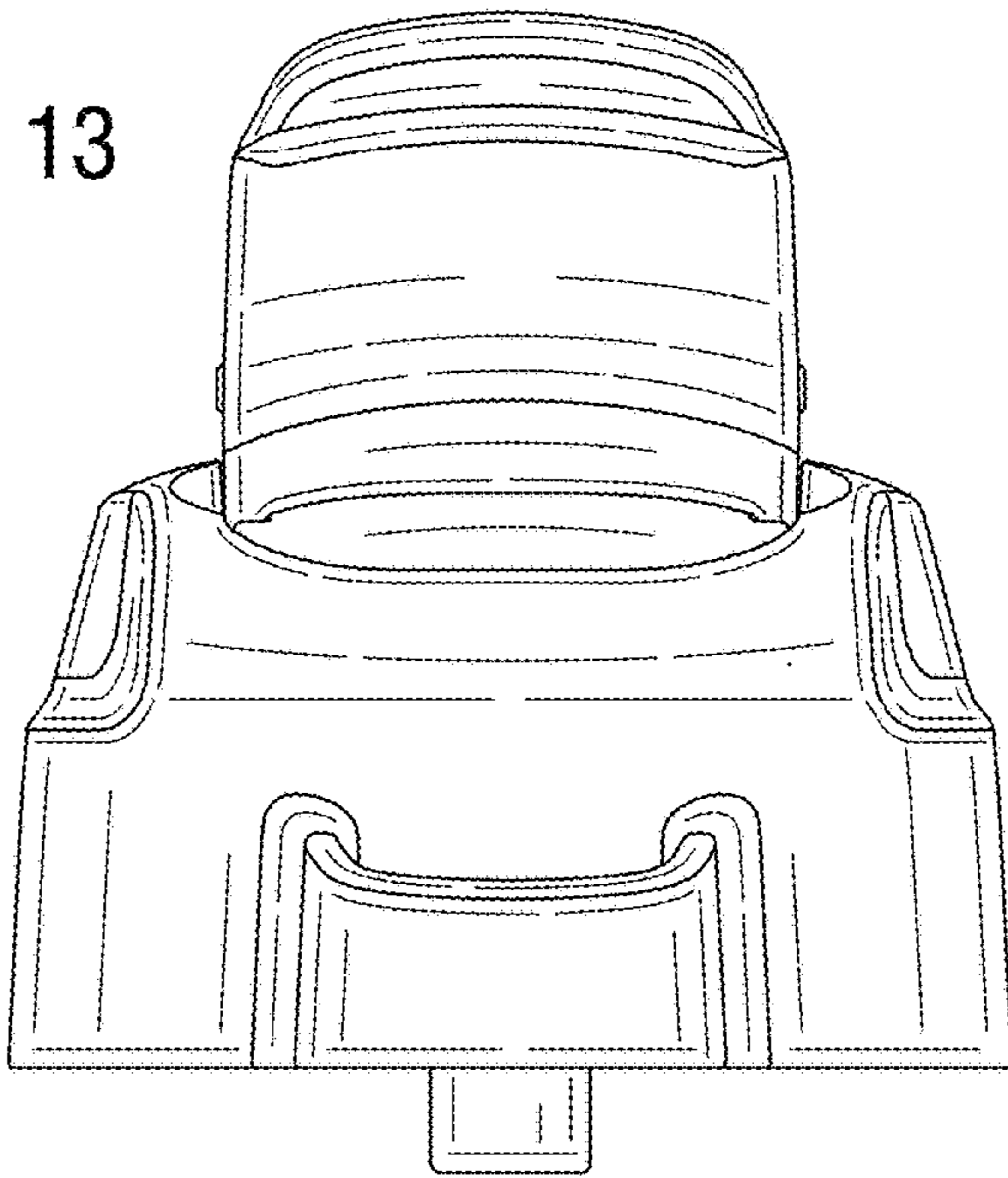


FIG. 14

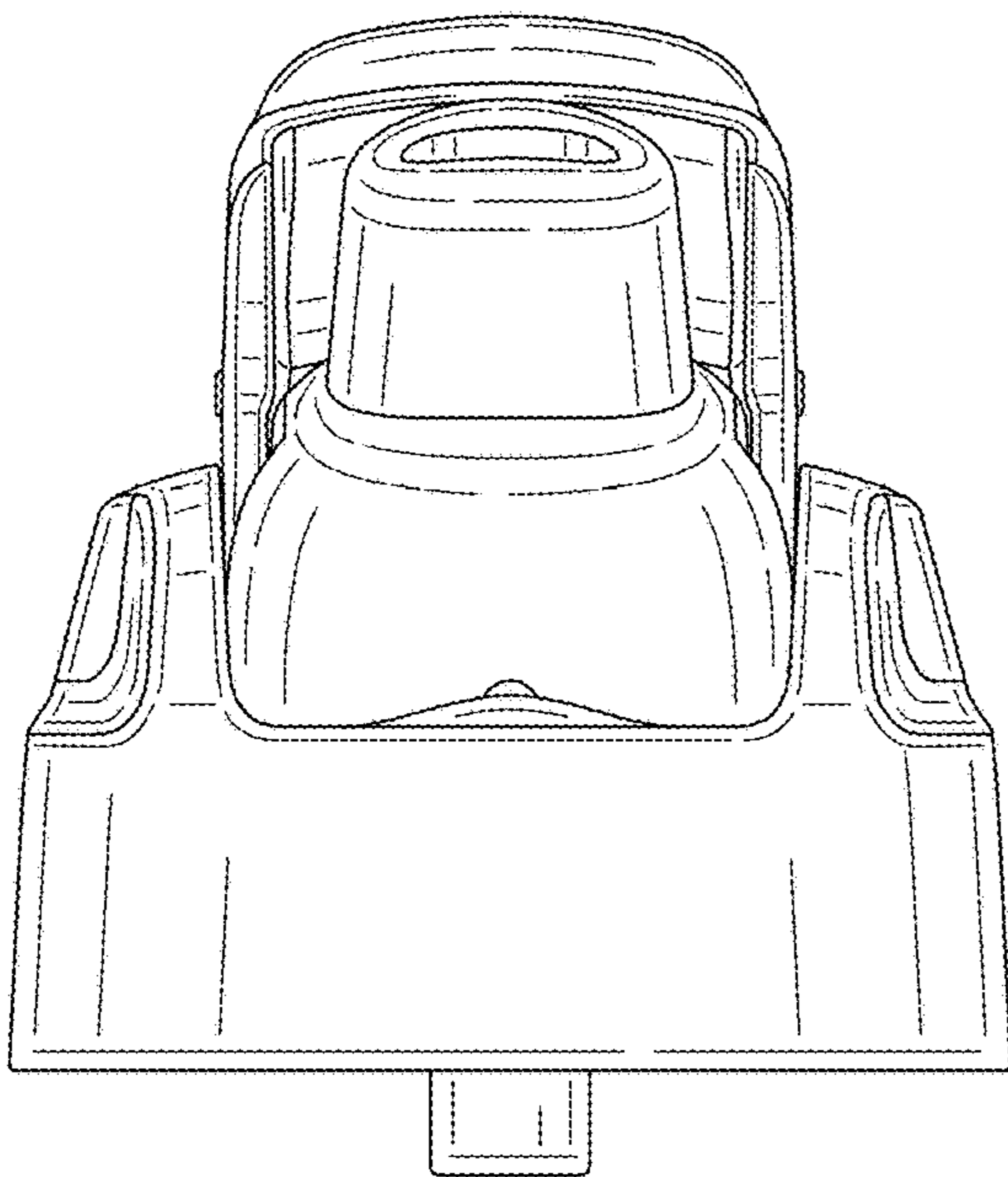


FIG. 15

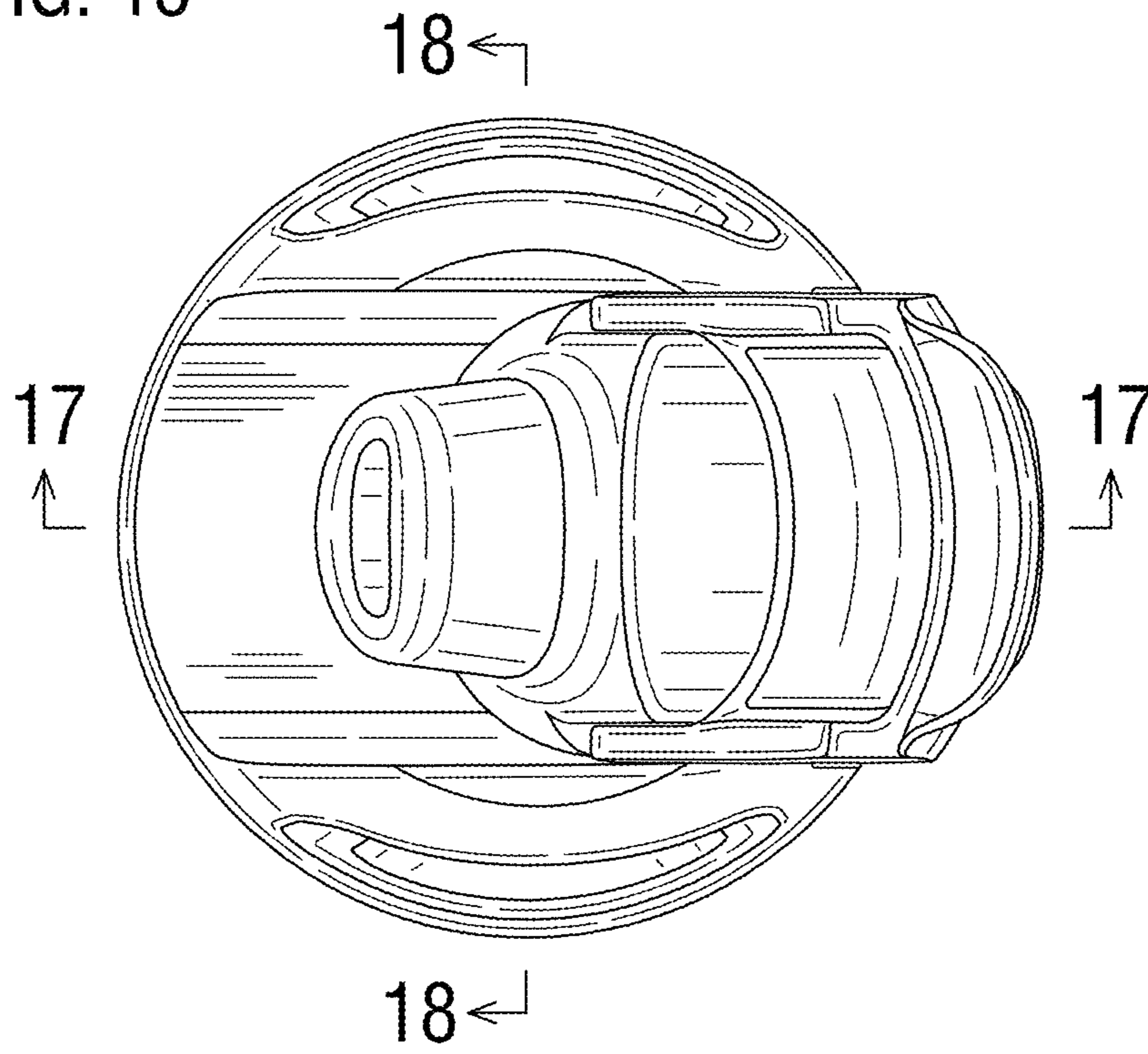


FIG. 16

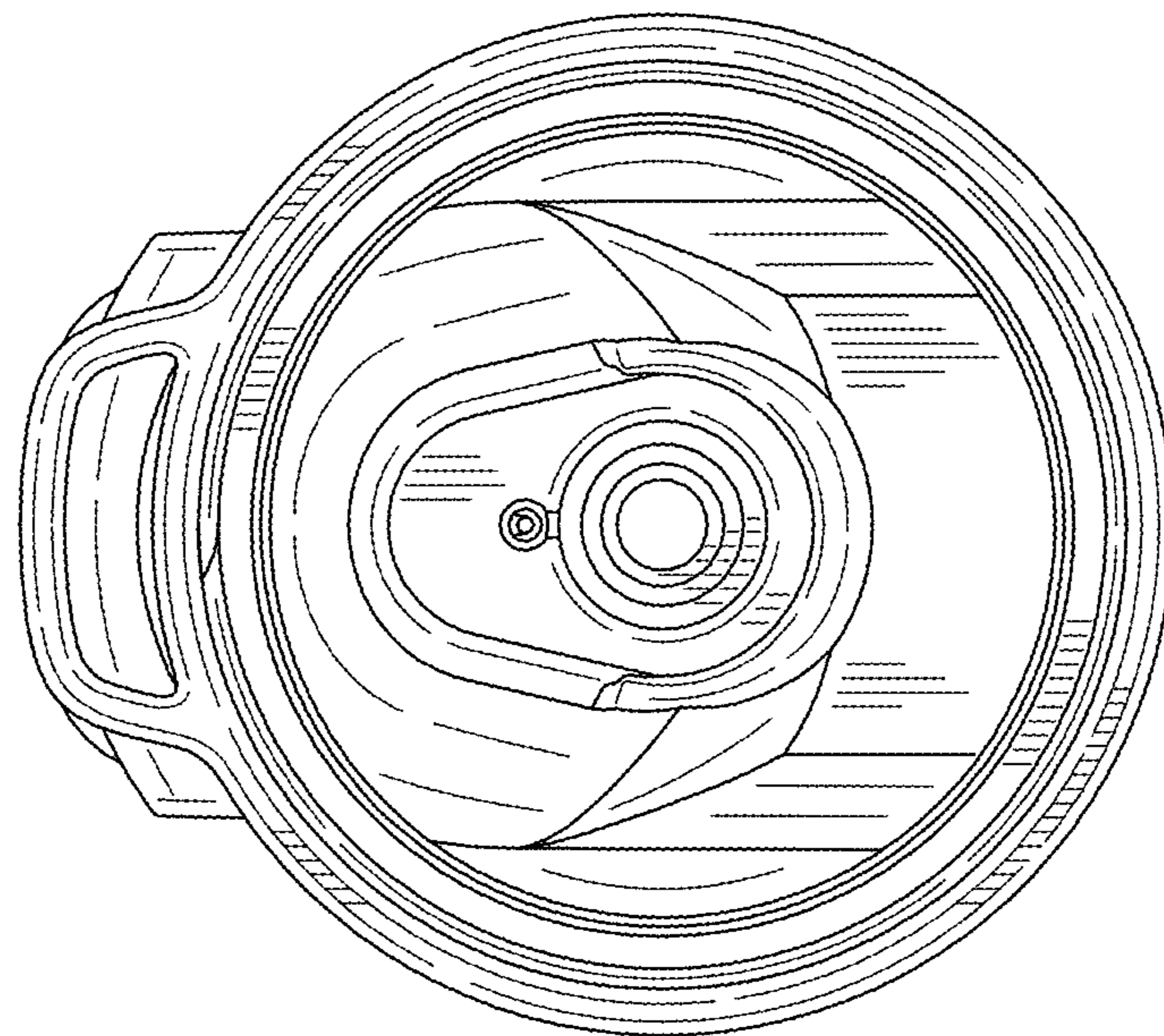


FIG. 17

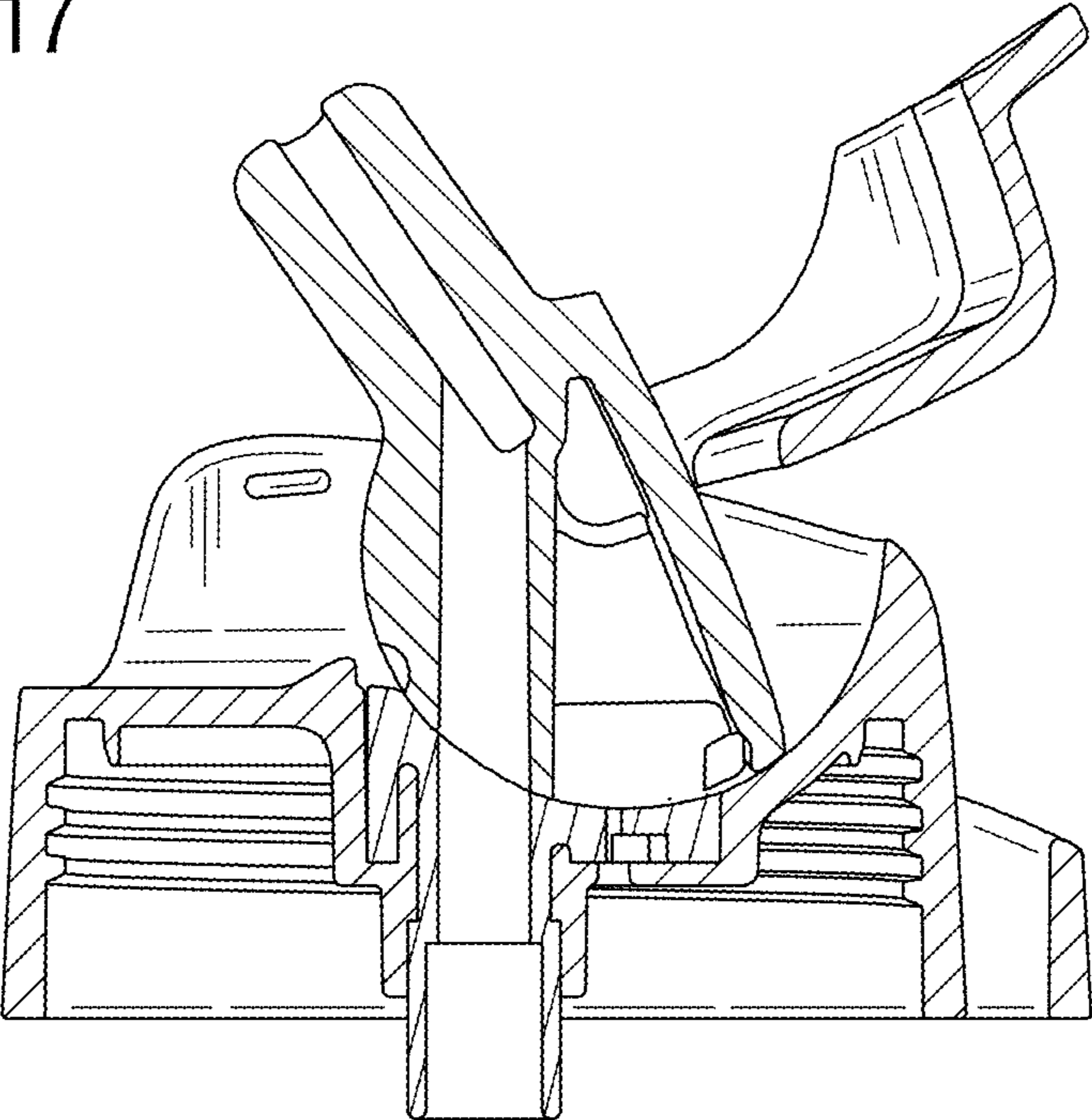


FIG. 18

