



US00D817087S

(12) **United States Design Patent** (10) **Patent No.:** **US D817,087 S**
Silsby et al. (45) **Date of Patent:** **** May 8, 2018**

(54) **HANDLE FOR A BEVERAGE CONTAINER**

(71) Applicant: **Pacific Market International LLC**,
Seattle, WA (US)

(72) Inventors: **Jacob D. Silsby**, Seattle, WA (US);
Evan Michael Choltco-Devlin,
Ellensburg, WA (US)

(73) Assignee: **Pacific Market International, LLC**,
Seattle, WA (US)

(**) Term: **15 Years**

(21) Appl. No.: **29/596,142**

(22) Filed: **Mar. 6, 2017**

(51) **LOC (11) Cl.** **07-99**

(52) **U.S. Cl.**
USPC **D7/396.2; D7/394**

(58) **Field of Classification Search**
USPC D7/507, 509, 510, 511, 523, 529, 530,
D7/531, 532, 533, 536, 300.1, 300.2,
D7/396.2, 392.1, 394, 395, 534;
220/592.16, 592.17, 495.03; D9/503,
D9/504; D8/107, 300, 83, 84
CPC A47G 19/22; A47G 19/2205; A47G 19/02;
A47G 19/00; A47J 43/27
See application file for complete search history.

(56) **References Cited**

U.S. PATENT DOCUMENTS

D277,721 S *	2/1985	Jordan	D6/328
D314,490 S *	2/1991	Elie	D7/395
D390,083 S *	2/1998	Ludy	D8/107
D412,088 S *	7/1999	Otake	D7/510
D431,159 S *	9/2000	Otake	D7/510
D437,185 S *	2/2001	Freed	D7/510
D438,429 S *	3/2001	Otake	D7/510
D440,815 S *	4/2001	Freed	D7/394
D451,358 S *	12/2001	Griese	D8/107
D472,425 S *	4/2003	Hurlbut	D7/510

D479,669 S *	9/2003	Norris	D7/532
D480,916 S *	10/2003	Norris	D7/532
D480,917 S *	10/2003	Holsinger	D7/531
D481,254 S *	10/2003	Lin	D7/317
D512,269 S *	12/2005	Trombly	D7/510
D525,080 S *	7/2006	Katz	D7/394
D585,719 S *	2/2009	Imai	D8/300
D587,963 S *	3/2009	Elsener	D7/395
D587,967 S *	3/2009	Wahl	D7/507
D587,969 S *	3/2009	Gilbert	D7/507
D602,308 S *	10/2009	Alviar	D7/510
D604,103 S *	11/2009	Alviar	D7/510

(Continued)

OTHER PUBLICATIONS

“Stanley Beverage Container,” 1 page, Stanley product publicly disclosed prior to Mar. 6, 2017.

Primary Examiner — Marianne Pandozzi

Assistant Examiner — Jae Liang

(74) *Attorney, Agent, or Firm* — George C. Rondeau, Jr.;
Davis Wright Tremaine LLP

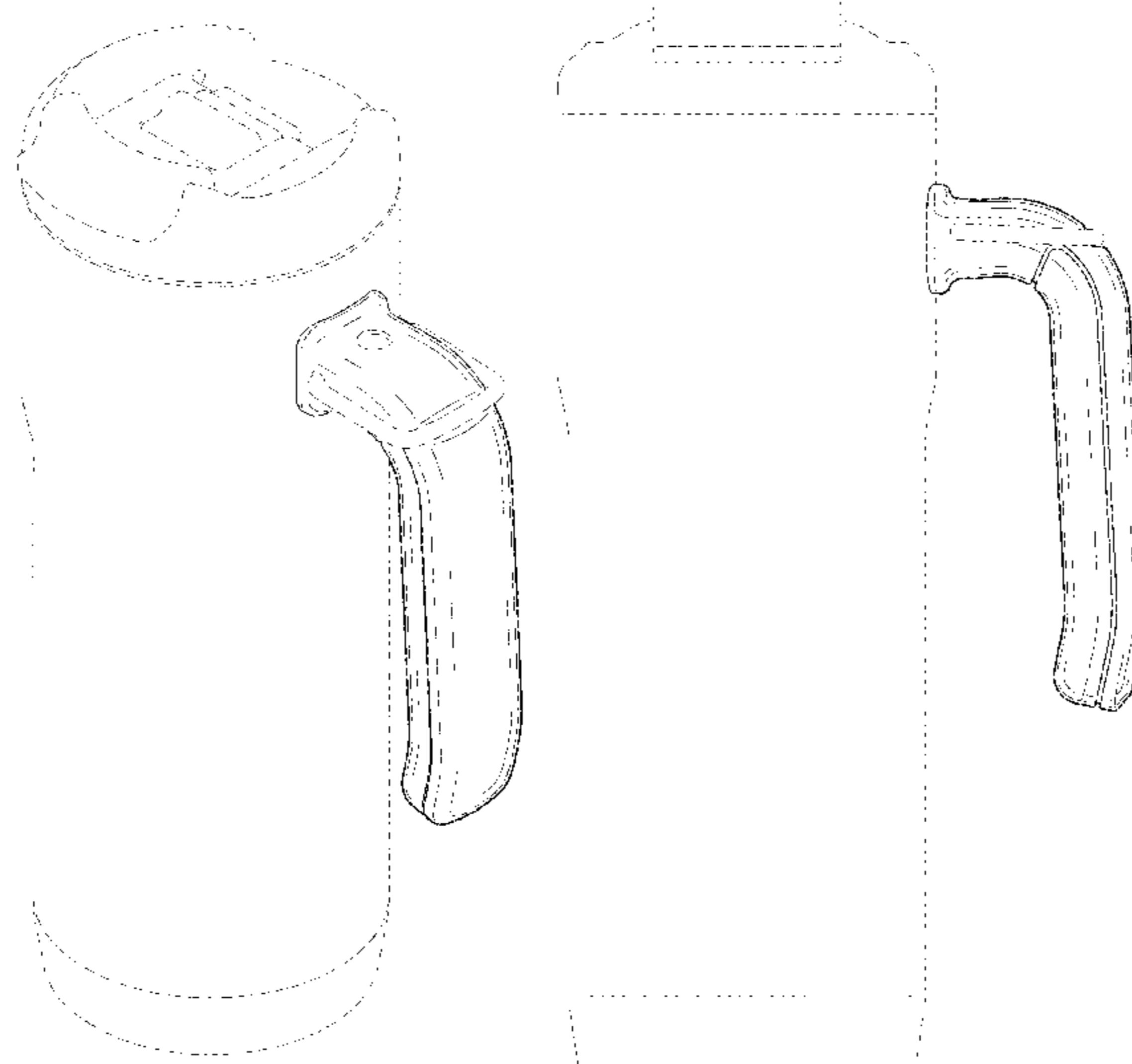
(57) **CLAIM**

The ornamental design for a handle for a beverage container, as shown and described.

DESCRIPTION

FIG. 1 is a top perspective view of a handle for a beverage container showing our new design;
FIG. 2 is a bottom perspective view thereof;
FIG. 3 is a front elevational view thereof;
FIG. 4 is a right side elevational view thereof;
FIG. 5 is a left side elevational view thereof;
FIG. 6 is a rear elevational view thereof;
FIG. 7 is a top plan view thereof; and,
FIG. 8 is a bottom plan view thereof.
The broken lines in the drawings depict portions of a handle for a beverage container and environmental subject matter that form no part of the claimed design.

1 Claim, 7 Drawing Sheets



(56)

References Cited

U.S. PATENT DOCUMENTS

D604,990	S	*	12/2009	Watkins	D7/396.2
D609,970	S	*	2/2010	Richau	D7/510
D616,248	S	*	5/2010	George	D7/510
D619,869	S	*	7/2010	Garcia	D8/107
D622,549	S	*	8/2010	Carreno	D7/510
D623,011	S	*	9/2010	Gilbert	D7/394
D625,562	S	*	10/2010	McClellan	D7/509
D628,440	S	*	12/2010	LeVere	D7/514
D632,132	S	*	2/2011	George	D7/510
D660,081	S	*	5/2012	Gilbert	D7/396.2
D681,392	S	*	5/2013	Dichraff	D7/393
D696,900	S		1/2014	George et al.		
D697,783	S	*	1/2014	Chesner	D8/107
D707,492	S	*	6/2014	George	D7/510
D712,701	S	*	9/2014	Boroski	D7/533
D713,206	S	*	9/2014	Lane	D7/533
D720,186	S	*	12/2014	Lane	D7/533
D734,096	S	*	7/2015	George	D7/509
D799,268	S	*	10/2017	Gschwandtl	D7/509
D802,986	S	*	11/2017	Krooshof	D7/354
2008/0101056	A1	*	5/2008	Bhavnani	A47G 19/2227
						362/101
2010/0288782	A1	*	11/2010	Lin	A47G 19/22
						220/752

* cited by examiner

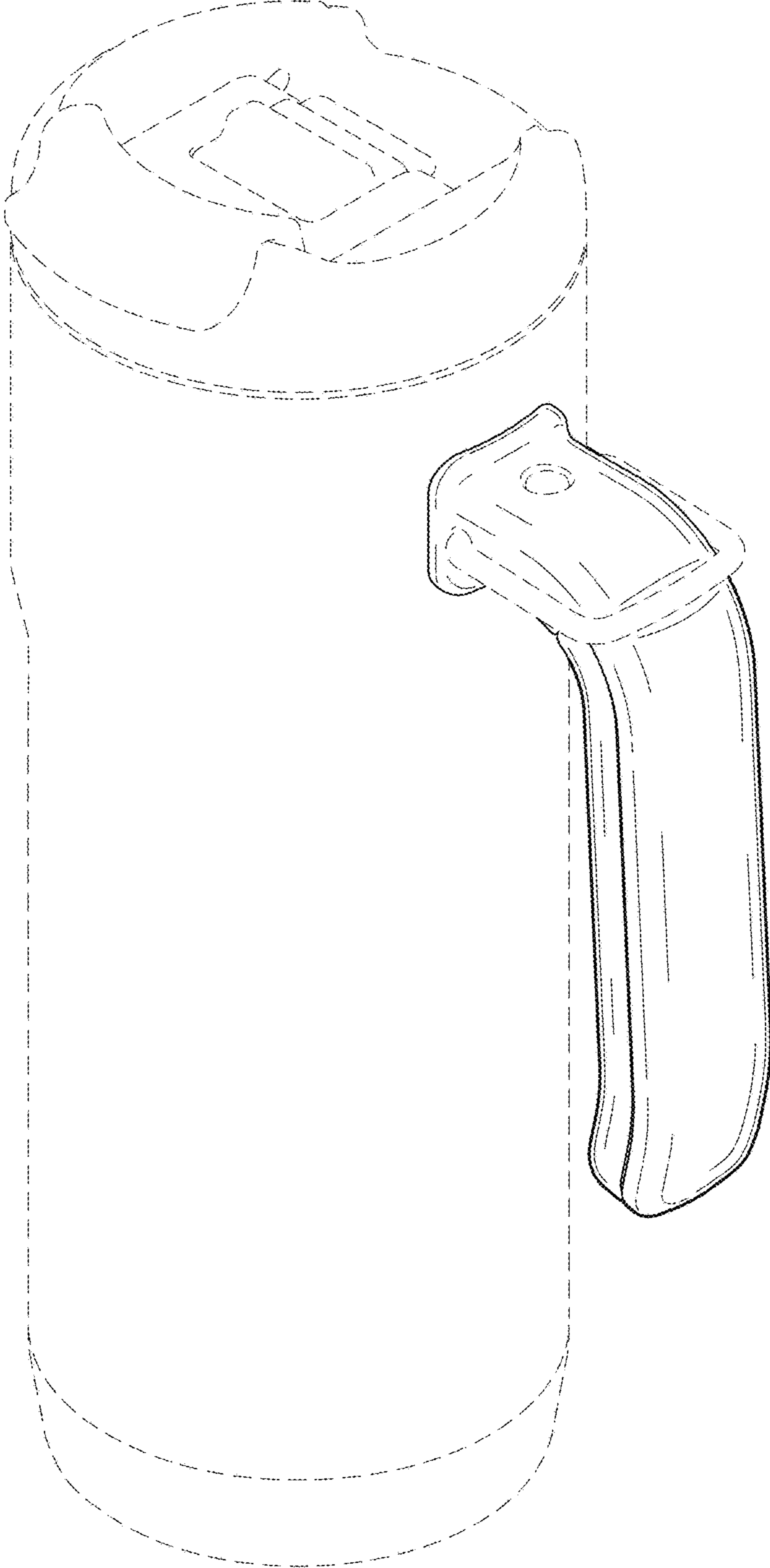


FIG. 1

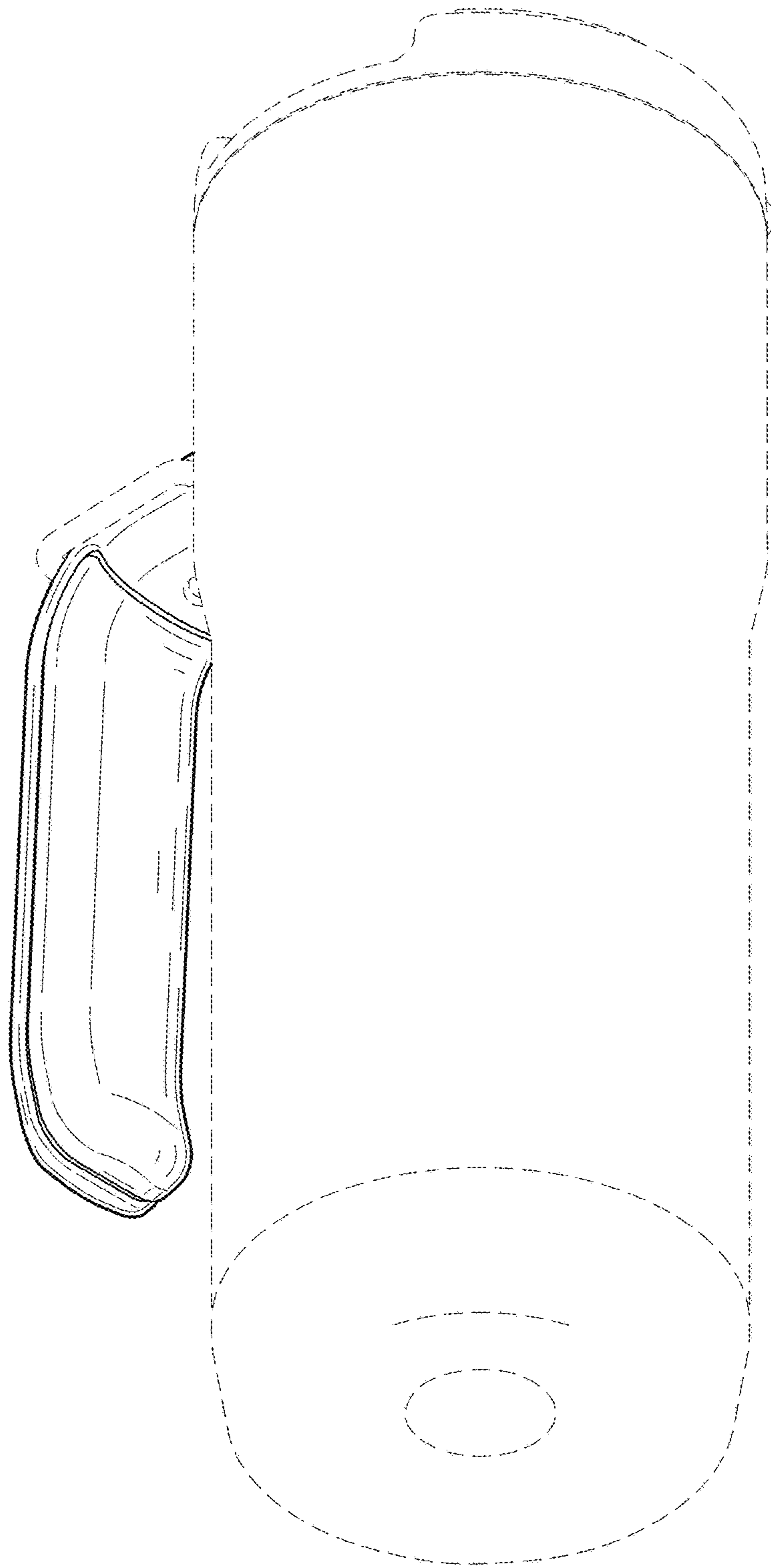


FIG. 2

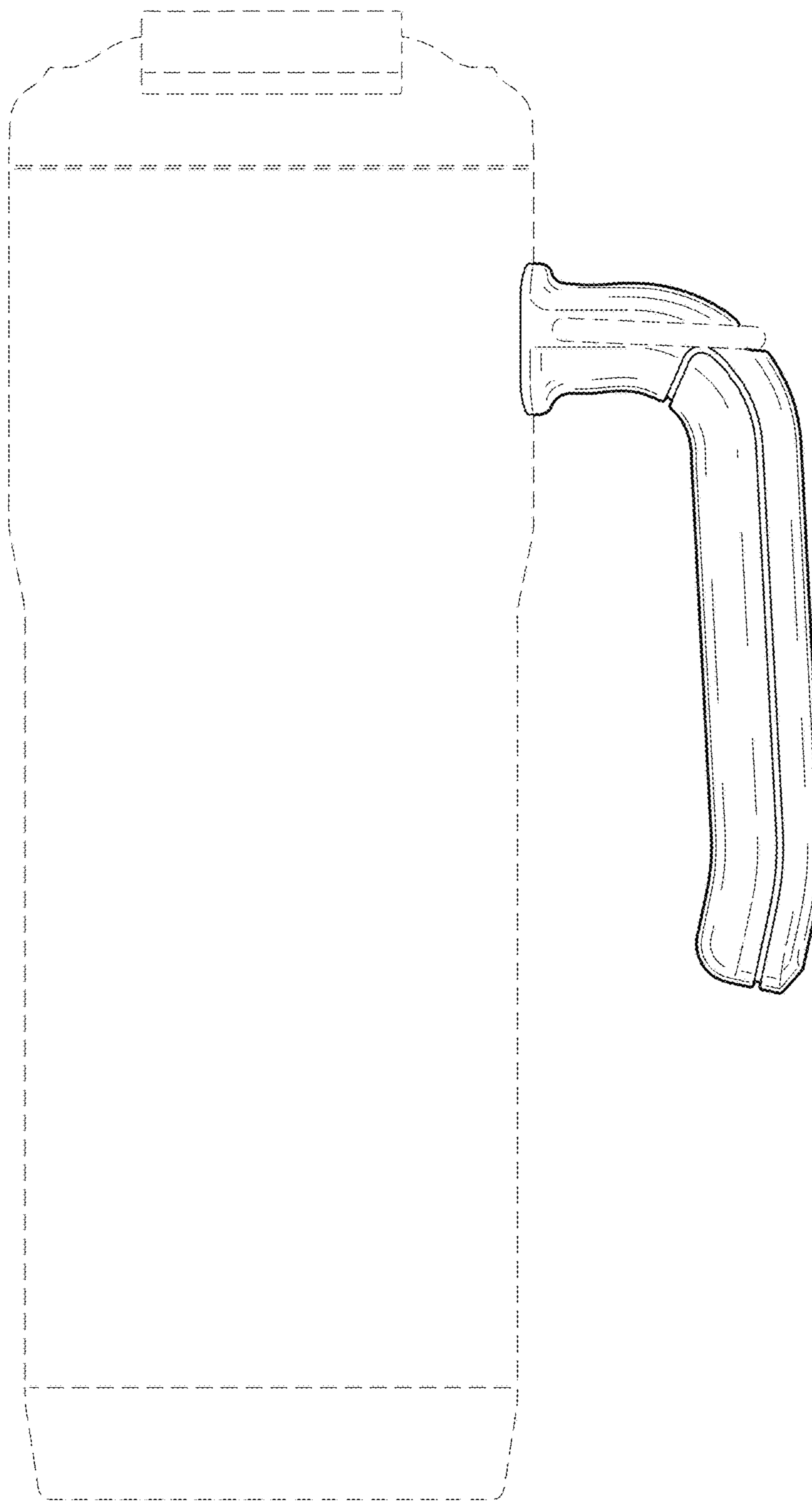


FIG. 3

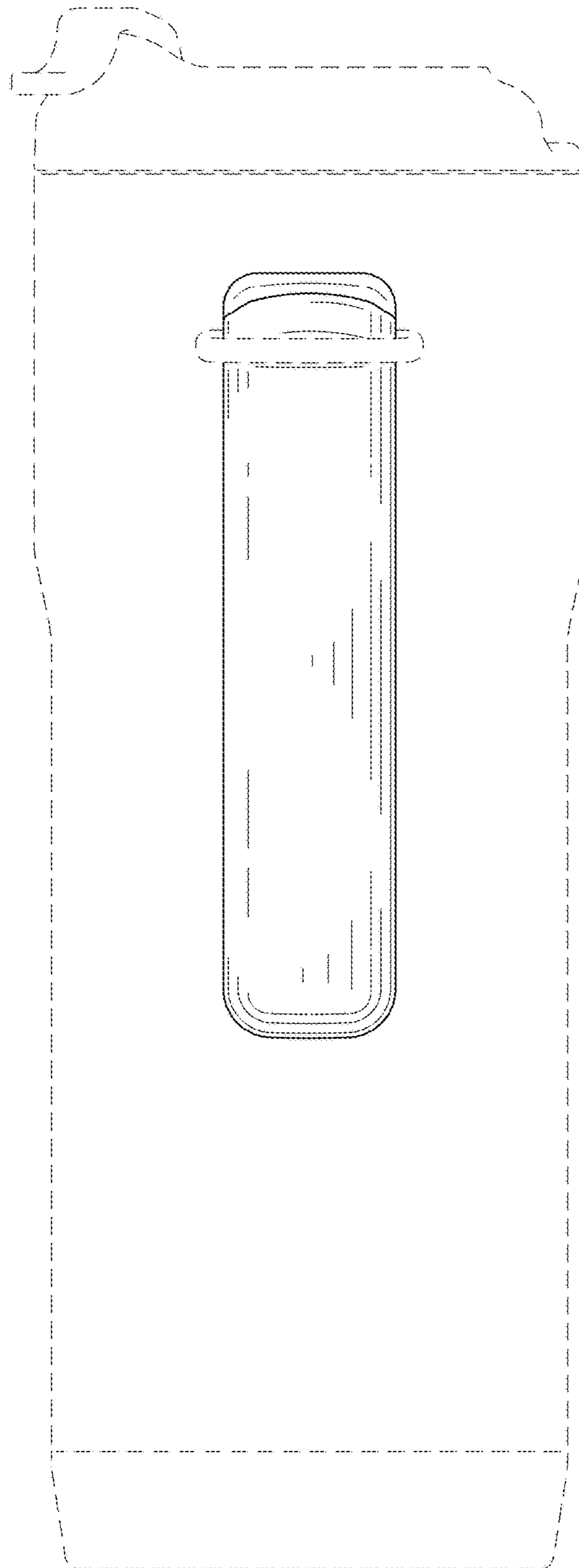


FIG. 4

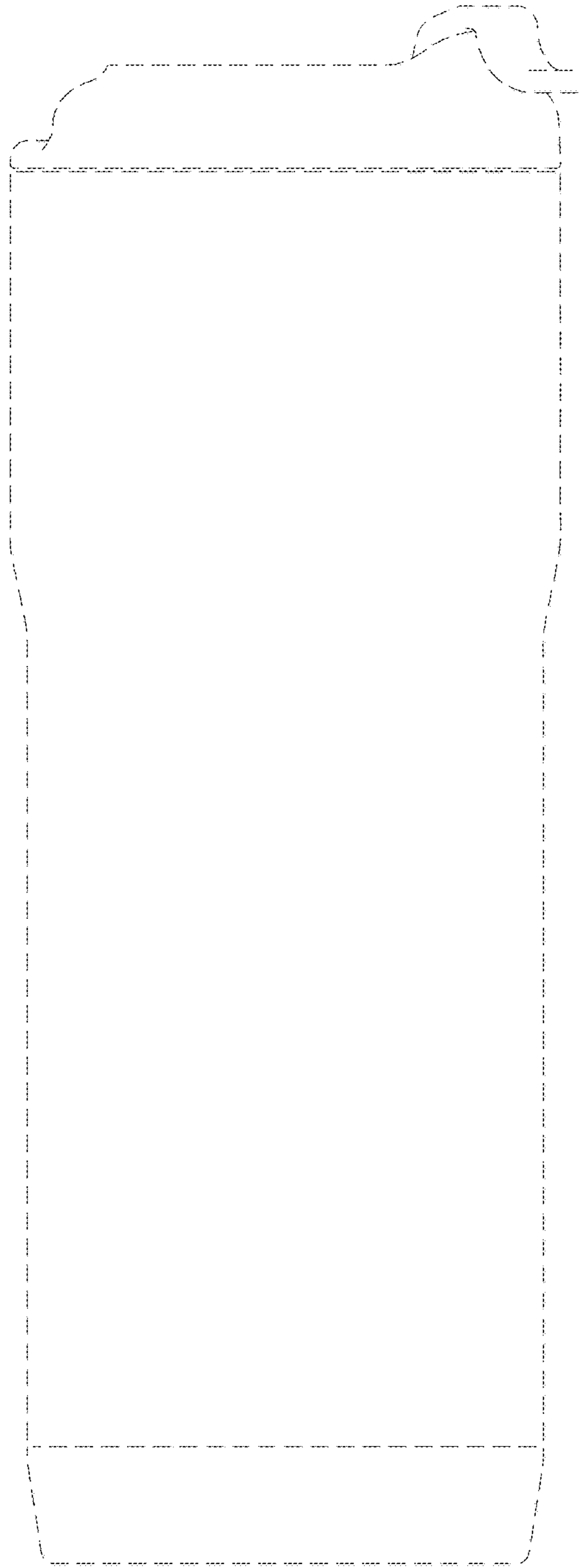


FIG. 5

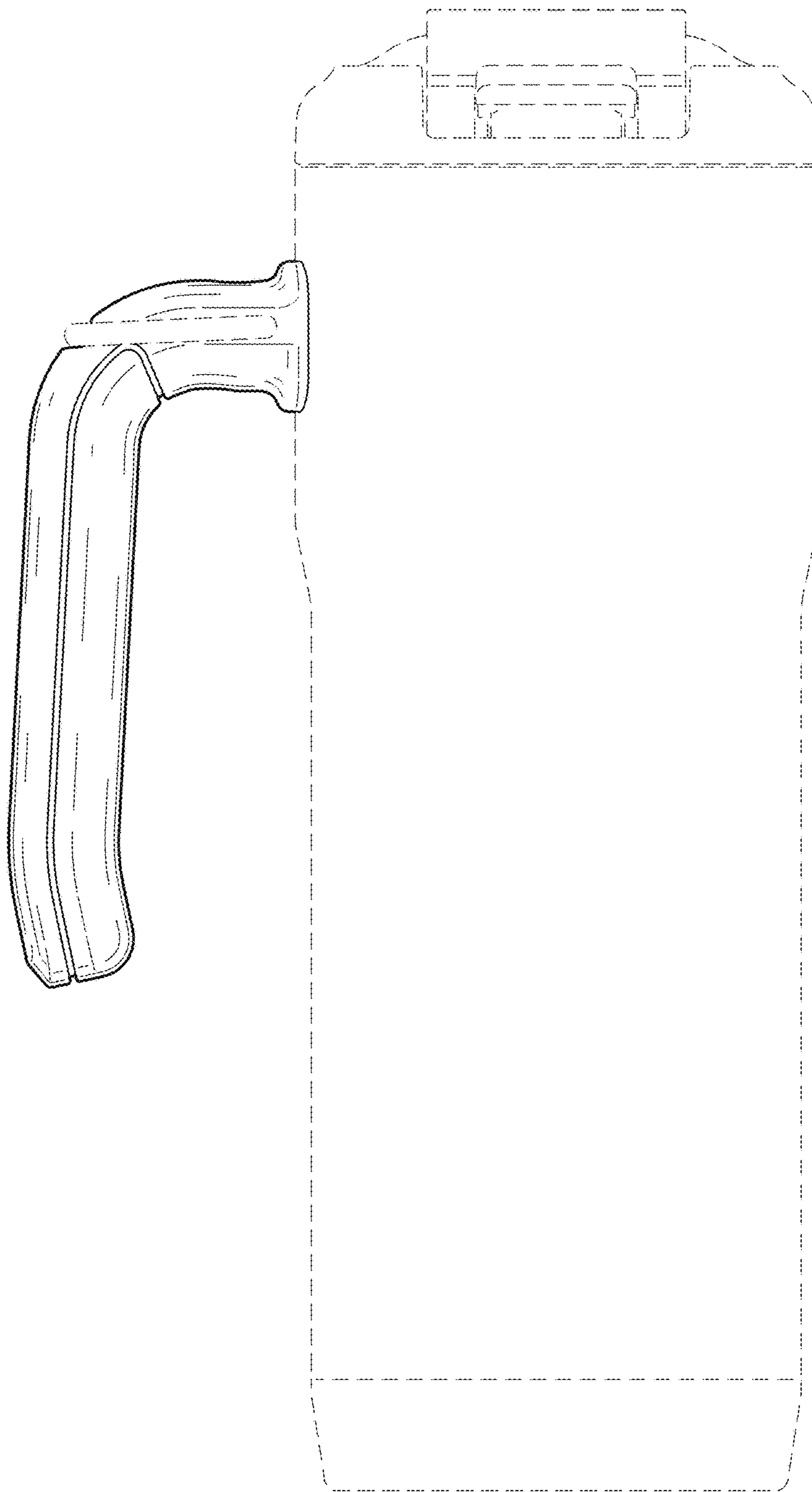


FIG. 6

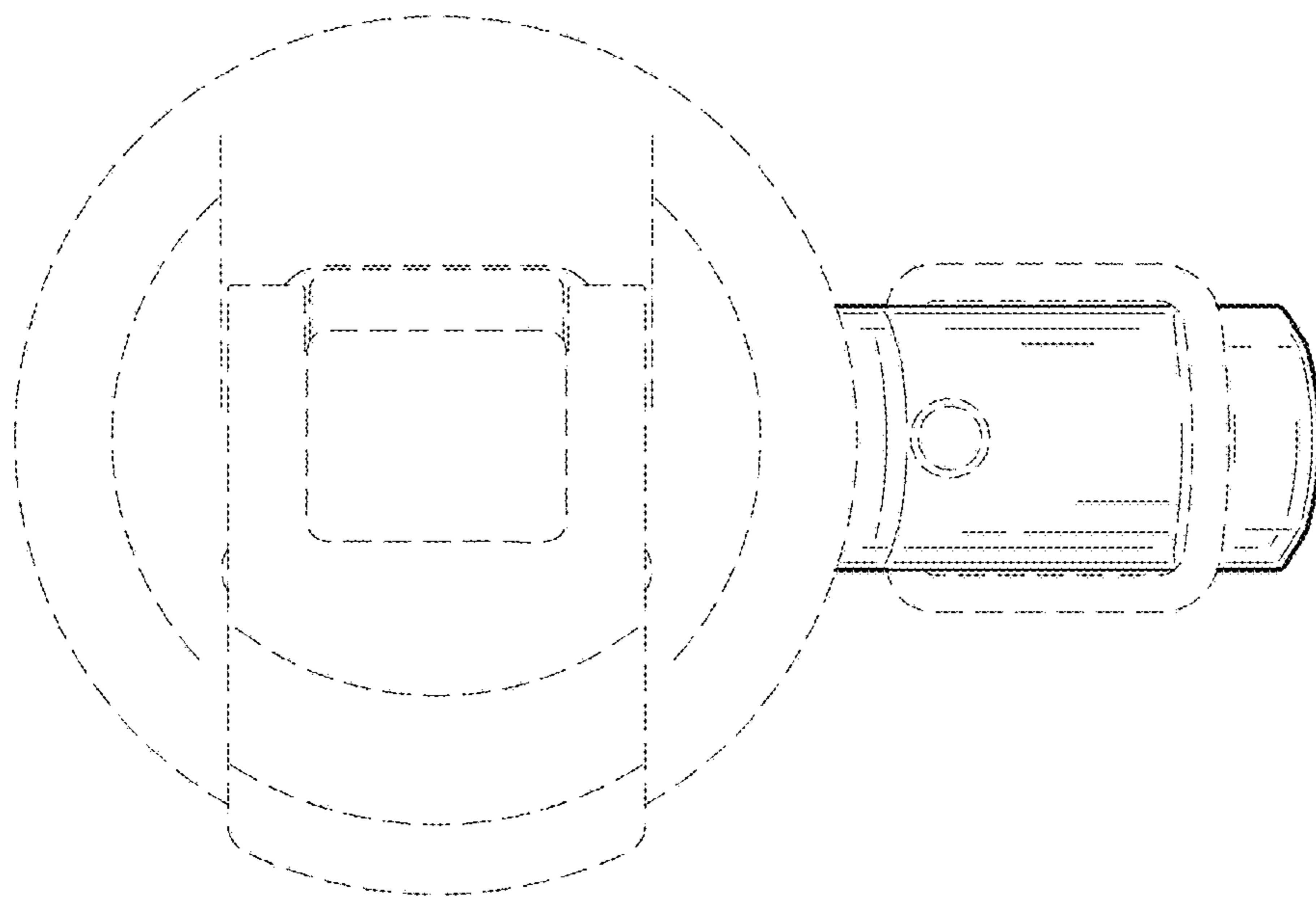


FIG. 7

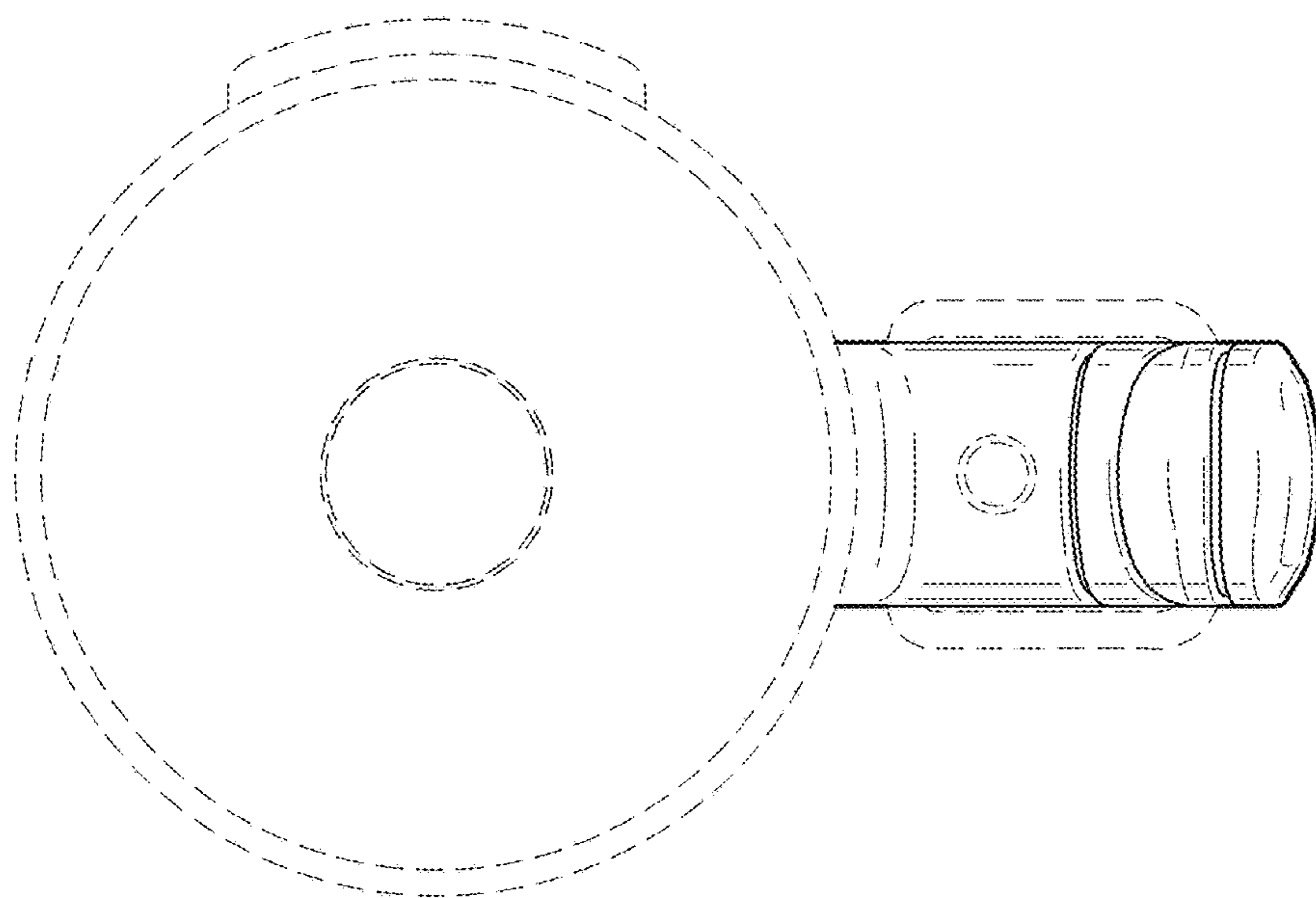


FIG. 8