



US00D817086S

(12) **United States Design Patent** (10) **Patent No.:** **US D817,086 S**
Guthrie (45) **Date of Patent:** **** May 8, 2018**

(54) **BEVERAGE CONTAINER LID**
(71) Applicant: **Pacific Market International, LLC**,
Seattle, WA (US)
(72) Inventor: **Emily Claire Guthrie**, Seattle, WA
(US)
(73) Assignee: **Pacific Market International, LLC**,
Seattle, WA (US)
(**) Term: **15 Years**
(21) Appl. No.: **29/567,147**
(22) Filed: **Jun. 6, 2016**
(51) **LOC (11) Cl.** **07-99**
(52) **U.S. Cl.**
USPC **D7/396.2; D9/449**
(58) **Field of Classification Search**
USPC D7/316, 396.2, 397, 510; D9/434-436,
D9/438, 439, 440, 443, 447, 449, 450,
D9/454, 499, 549; D23/260, 269, 390
(Continued)

(56) **References Cited**
U.S. PATENT DOCUMENTS
2,304,214 A * 12/1942 Straub B65D 47/286
220/254.9
D295,831 S * 5/1988 Urion D9/438
(Continued)

OTHER PUBLICATIONS
Timolino. Icon Vacuum Travel Tumbler Flip-Top Lid. 2017 [earliest
online date], [site visited May 19, 2017]. Available from Internet,
<URL:http://timolino.com/products/icon-vacuum-travel-tumbler-
flip-top-lid>.*

Primary Examiner — Robert M. Spear
Assistant Examiner — Darcey E Heflin

(74) *Attorney, Agent, or Firm* — George C. Rondeau, Jr.;
Davis Wright Tremaine LLP

(57) **CLAIM**
The ornamental design for a beverage container lid, as
shown and described.

DESCRIPTION
FIG. 1 is a top perspective view of a beverage container lid
showing my new design.
FIG. 2 is a bottom perspective view thereof.
FIG. 3 is a front elevational view thereof.
FIG. 4 is a right side elevational view thereof.
FIG. 5 is a rear elevational view thereof.
FIG. 6 is a left side elevational view thereof.
FIG. 7 is a top plan view thereof.
FIG. 8 is a bottom plan view thereof.
FIG. 9 is a top perspective view of a second embodiment
thereof.
FIG. 10 is a bottom perspective view thereof.
FIG. 11 is a front elevational view thereof.
FIG. 12 is a right side elevational view thereof.
FIG. 13 is a rear elevational view thereof.
FIG. 14 is a left side elevational view thereof.
FIG. 15 is a top plan view thereof.
FIG. 16 is a bottom plan view thereof.
FIG. 17 is a top perspective view of a third embodiment
thereof.
FIG. 18 is a bottom perspective view thereof.
FIG. 19 is a front elevational view thereof.
FIG. 20 is a right side elevational view thereof.
FIG. 21 is a rear elevational view thereof.
FIG. 22 is a left side elevational view thereof.
FIG. 23 is a top plan view thereof.
FIG. 24 is a bottom plan view thereof.
FIG. 25 is a top perspective view of a fourth embodiment
thereof.
FIG. 26 is a bottom perspective view thereof.
FIG. 27 is a front elevational view thereof.
FIG. 28 is a right side elevational view thereof.
FIG. 29 is a rear elevational view thereof.
FIG. 30 is a left side elevational view thereof.

(Continued)

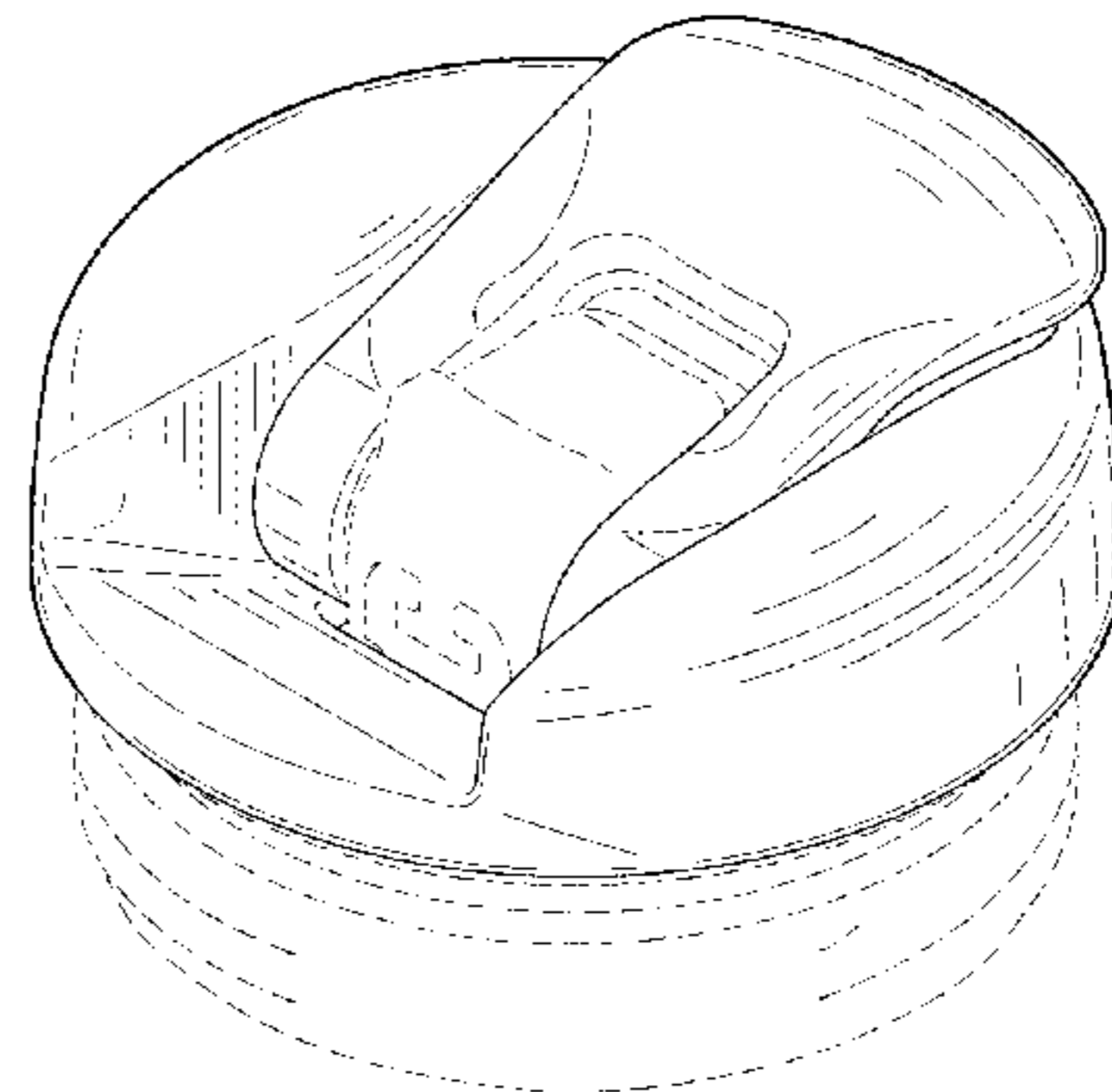
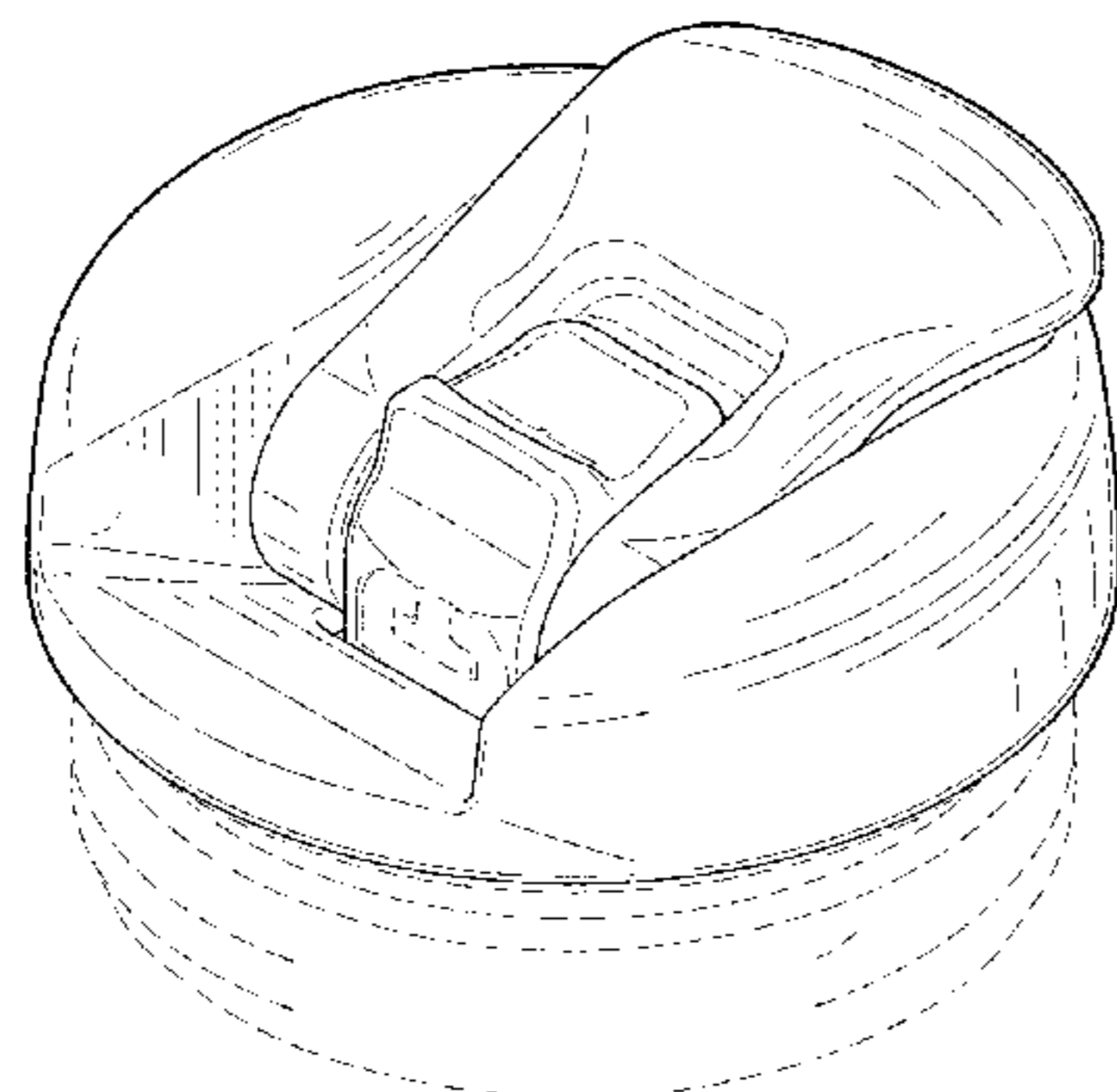


FIG. 31 is a top plan view thereof; and,
FIG. 32 is a bottom plan view thereof.
In the drawings, the broken lines showing portions of the
beverage container lid depict environment and form no part
of the claim.

1 Claim, 20 Drawing Sheets

(58) **Field of Classification Search**

CPC B65D 39/00; B65D 39/0035; B65D 43/16;
B65D 2517/0014; B65D 17/165

See application file for complete search history.

(56) **References Cited**

U.S. PATENT DOCUMENTS

| | | | |
|--------------|---------|----------------|----------|
| D584,106 S * | 1/2009 | Wong | D7/396.2 |
| D589,747 S * | 4/2009 | Wong | D7/396.1 |
| D591,103 S * | 4/2009 | Wong | D7/396.1 |
| D625,951 S * | 10/2010 | Baek | D7/396.2 |
| D691,416 S * | 10/2013 | Eyal | D7/396.2 |
| D696,940 S * | 1/2014 | Hale | D9/447 |
| D715,100 S * | 10/2014 | Eyal | D7/510 |
| D719,023 S * | 12/2014 | Hu | D9/449 |
| D721,535 S * | 1/2015 | Chapman | D7/396.2 |
| D747,199 S * | 1/2016 | Phillips | D9/438 |
| D747,649 S * | 1/2016 | Phillips | D9/438 |
| D751,338 S * | 3/2016 | Seiders | D7/396.2 |
| D751,339 S * | 3/2016 | Seiders | D7/396.2 |
| D751,340 S * | 3/2016 | Seiders | D7/396.2 |
| D751,341 S * | 3/2016 | Seiders | D7/396.2 |

* cited by examiner

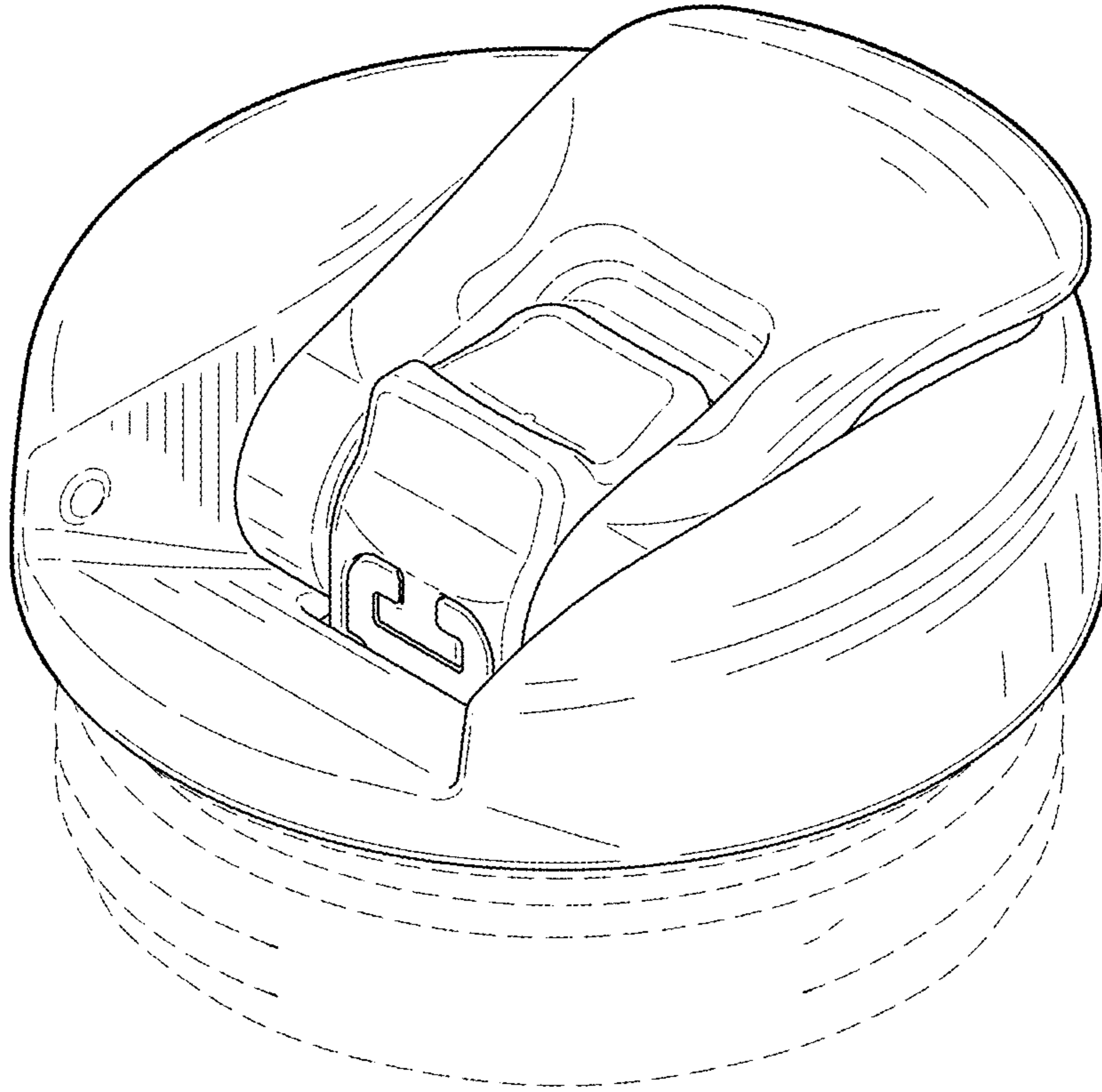


FIG. 1

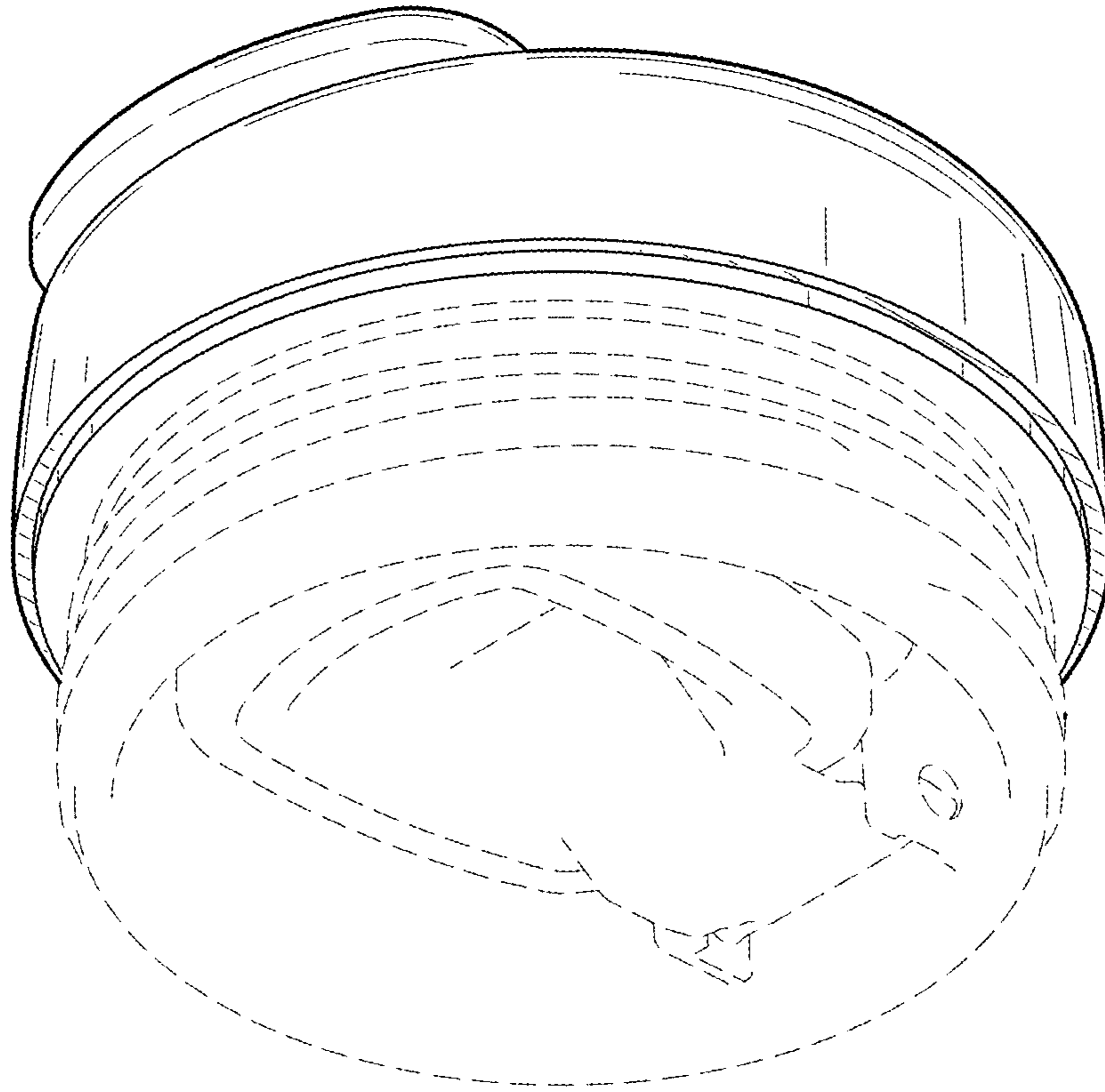


FIG. 2

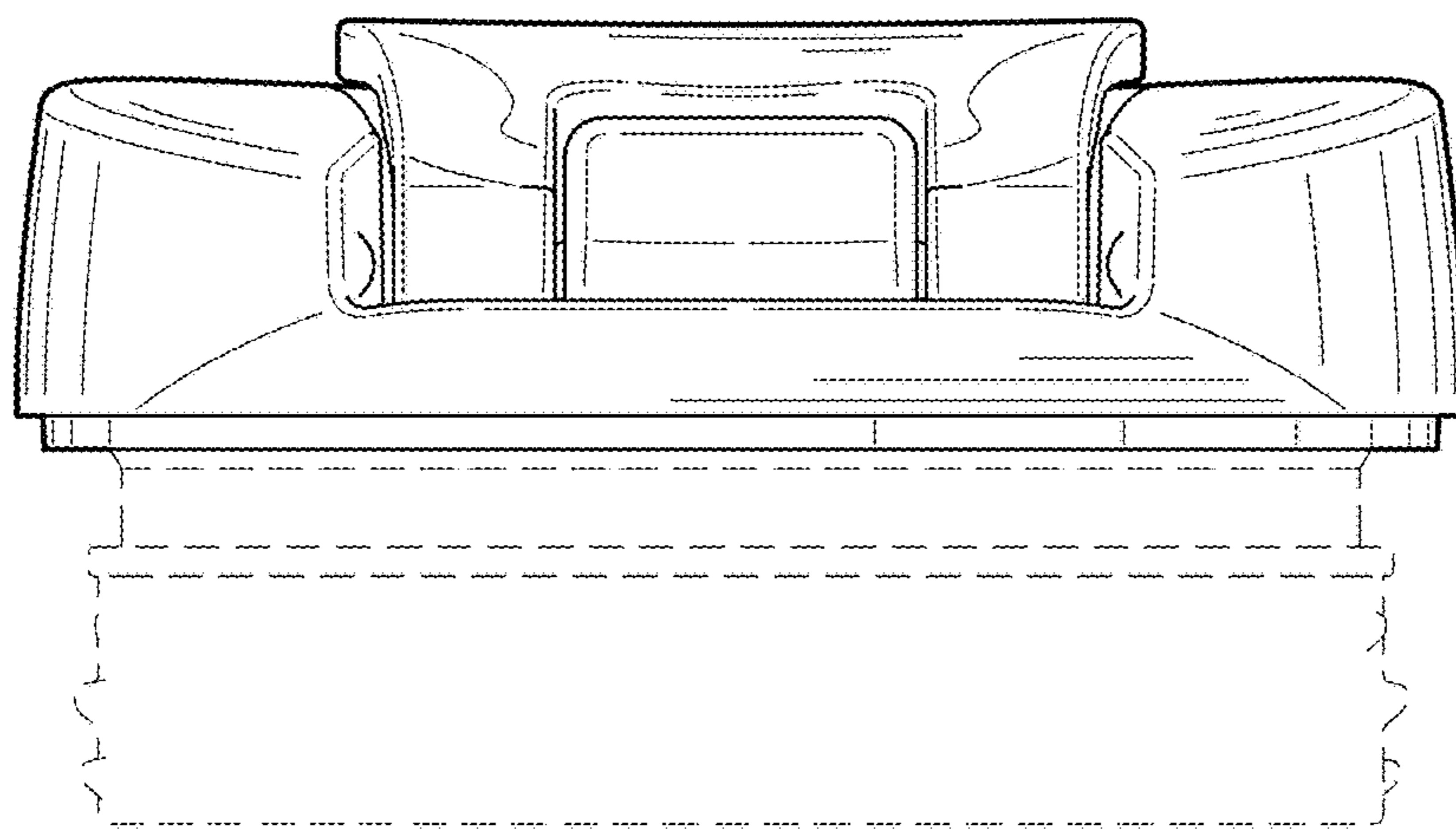


FIG. 3

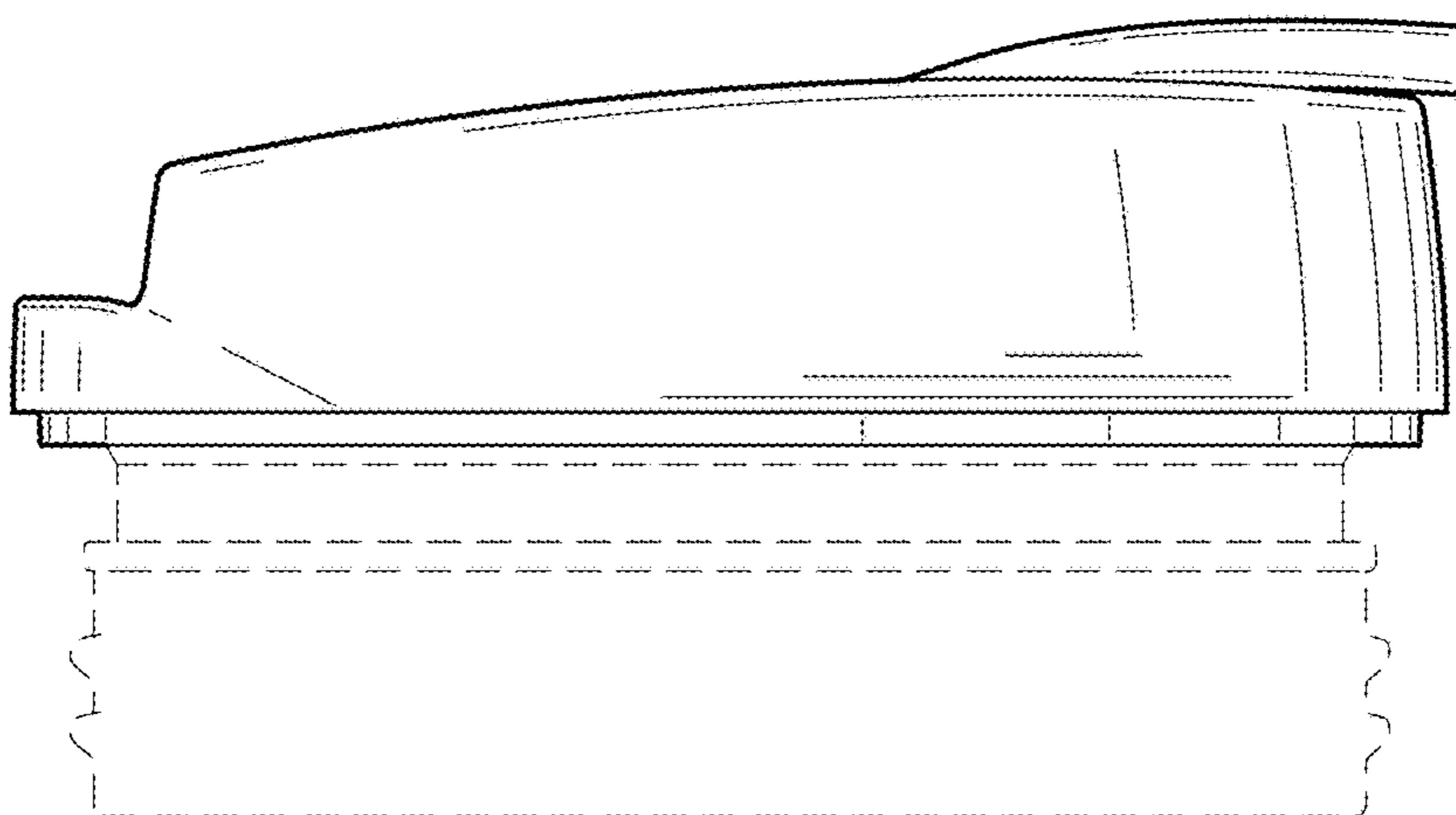


FIG. 4

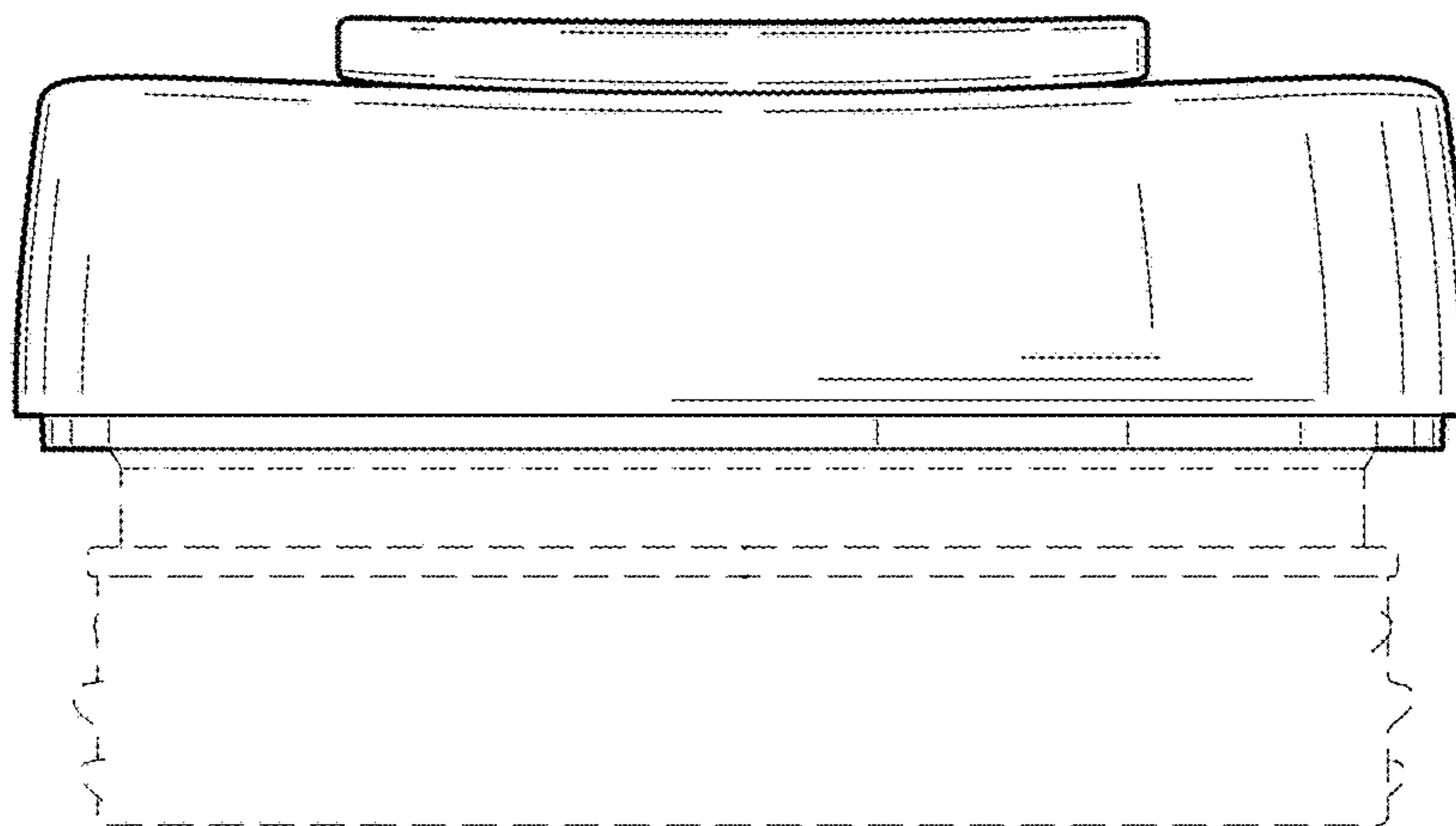


FIG. 5

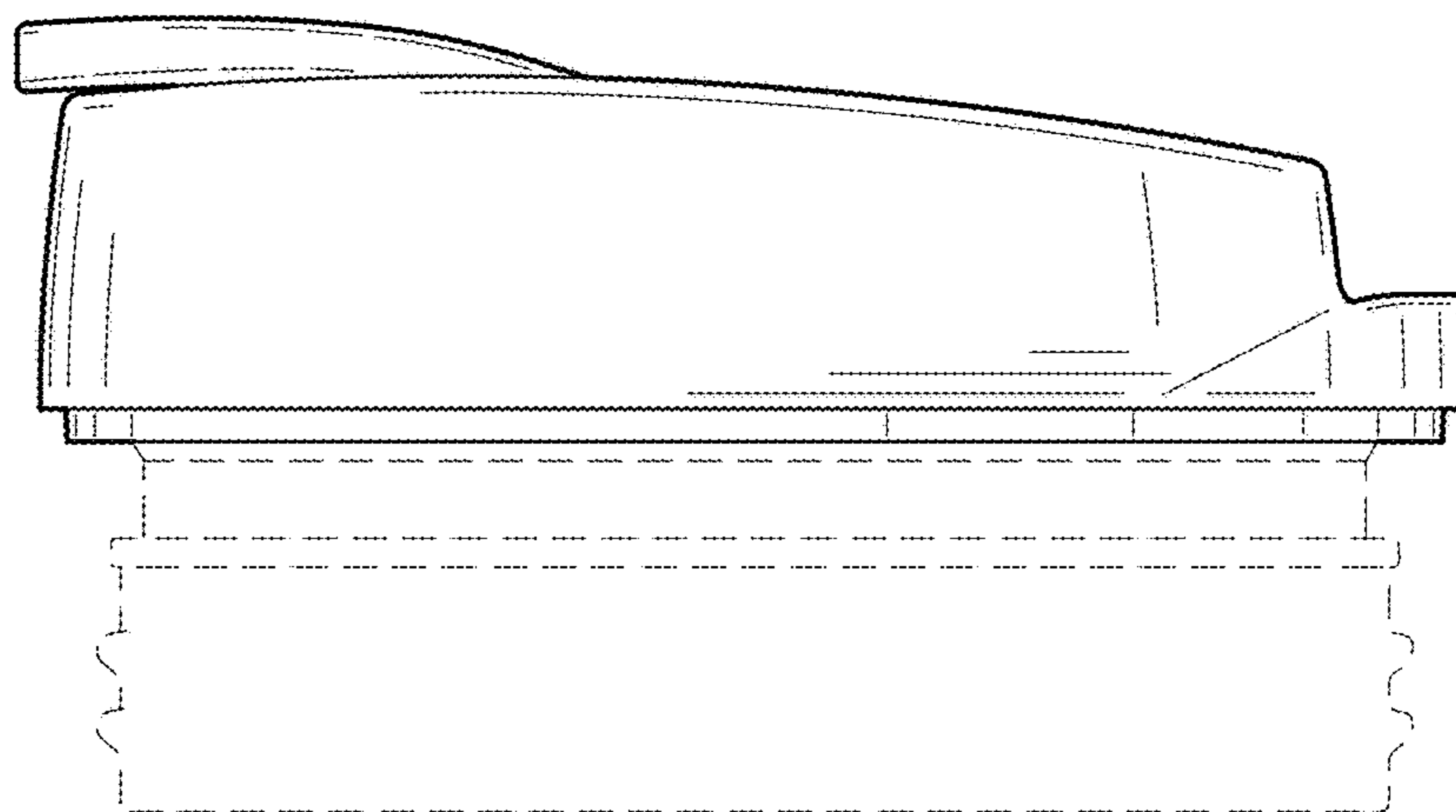


FIG. 6

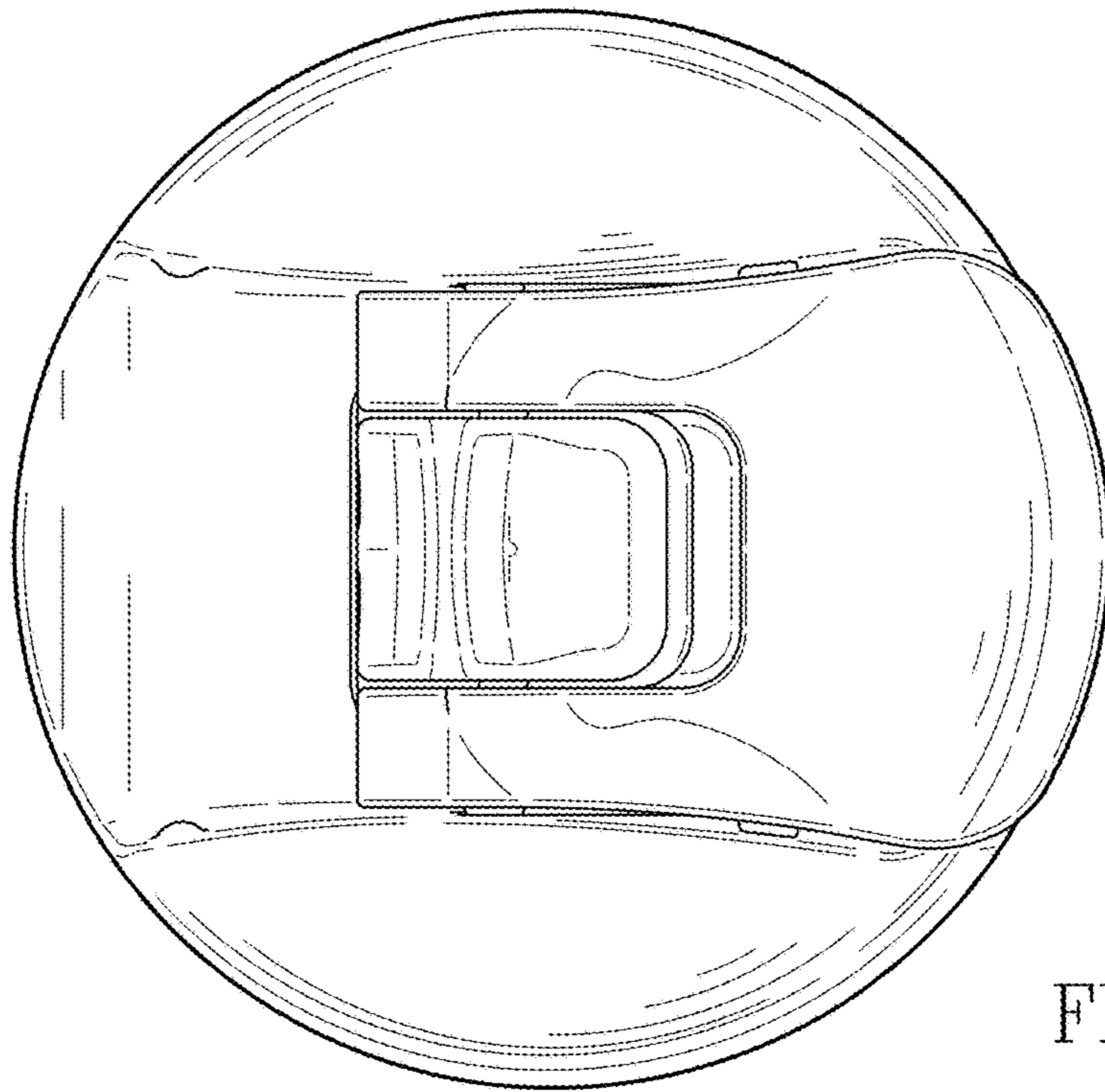


FIG. 7

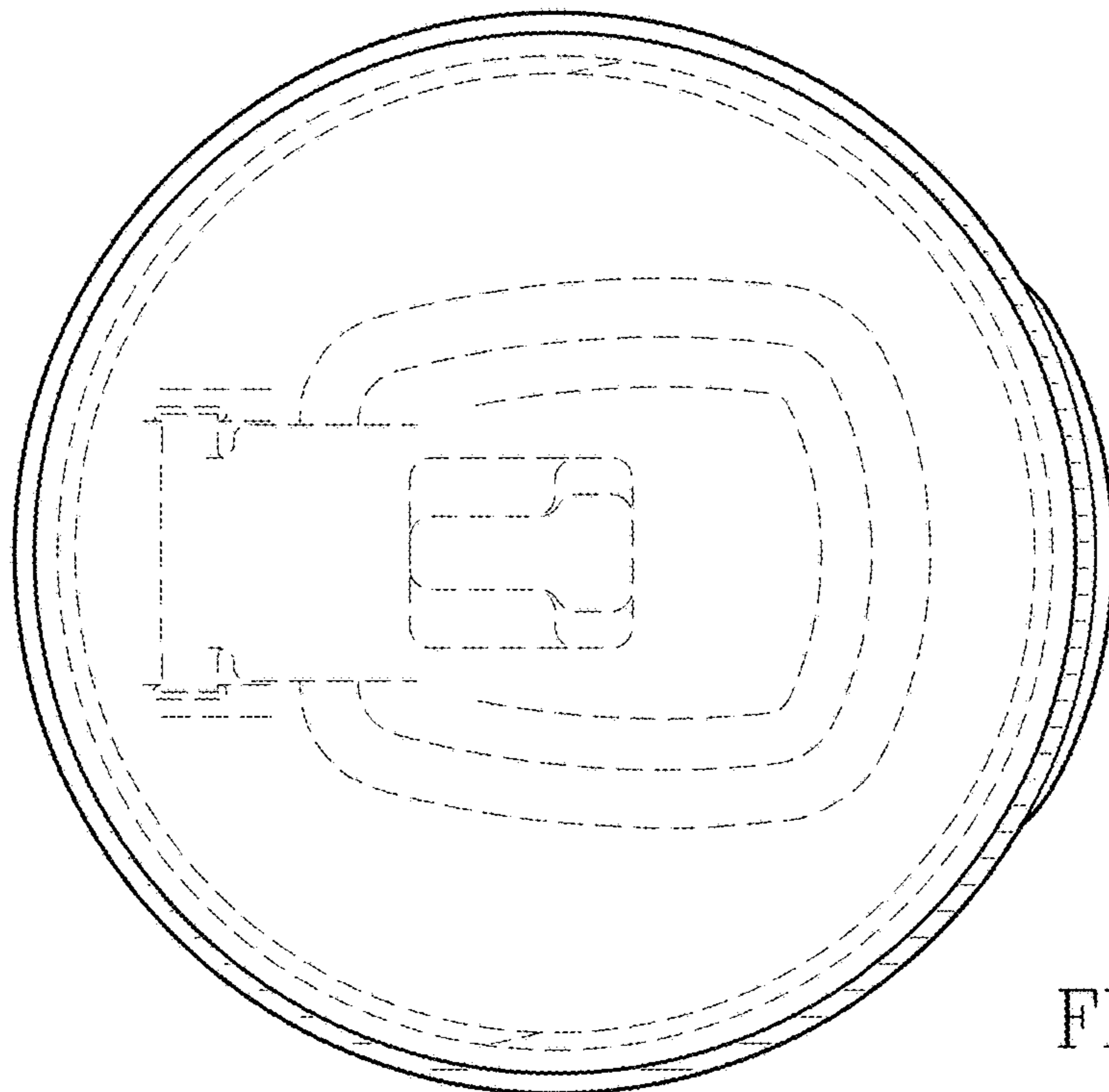


FIG. 8

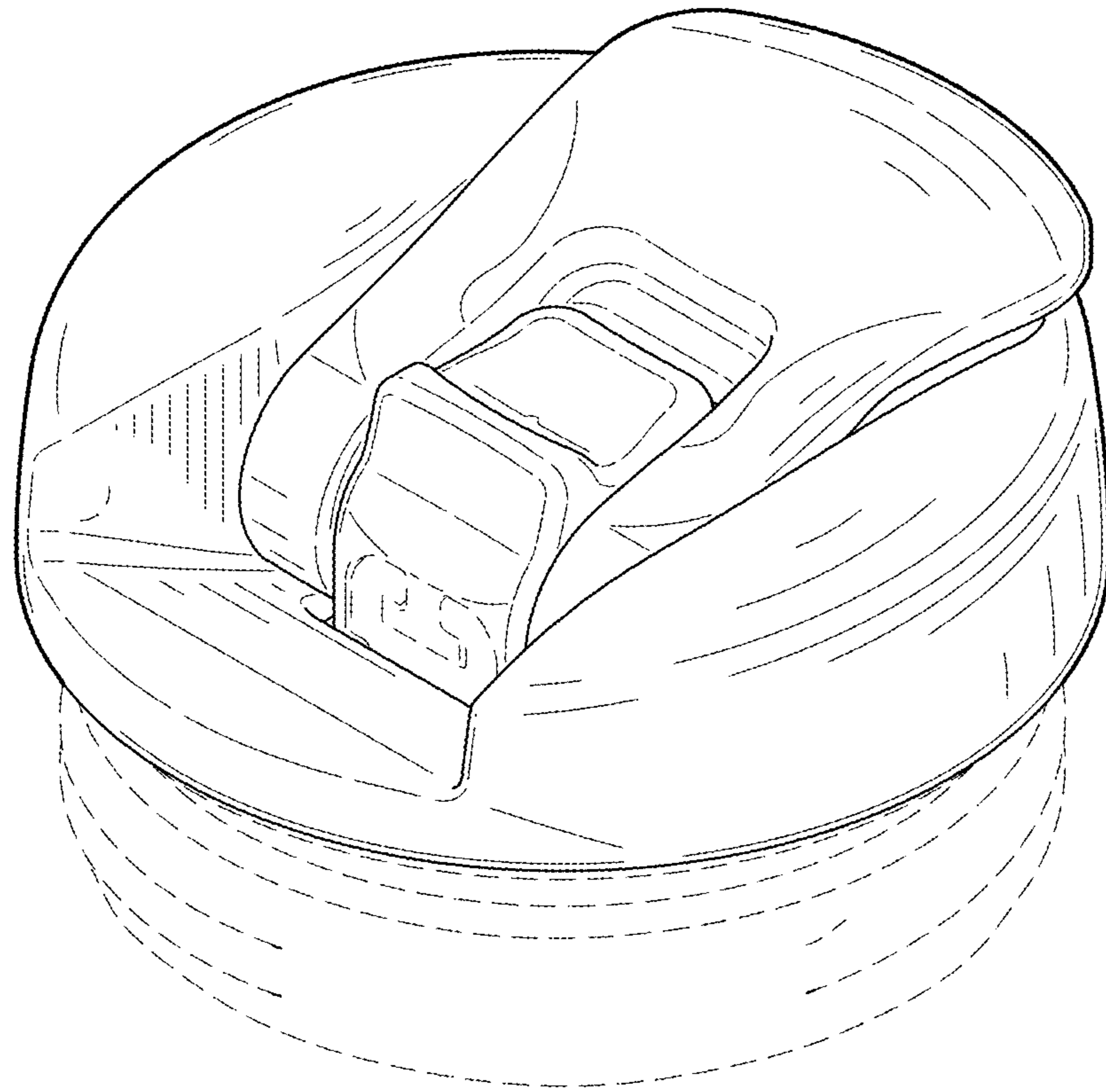


FIG. 9

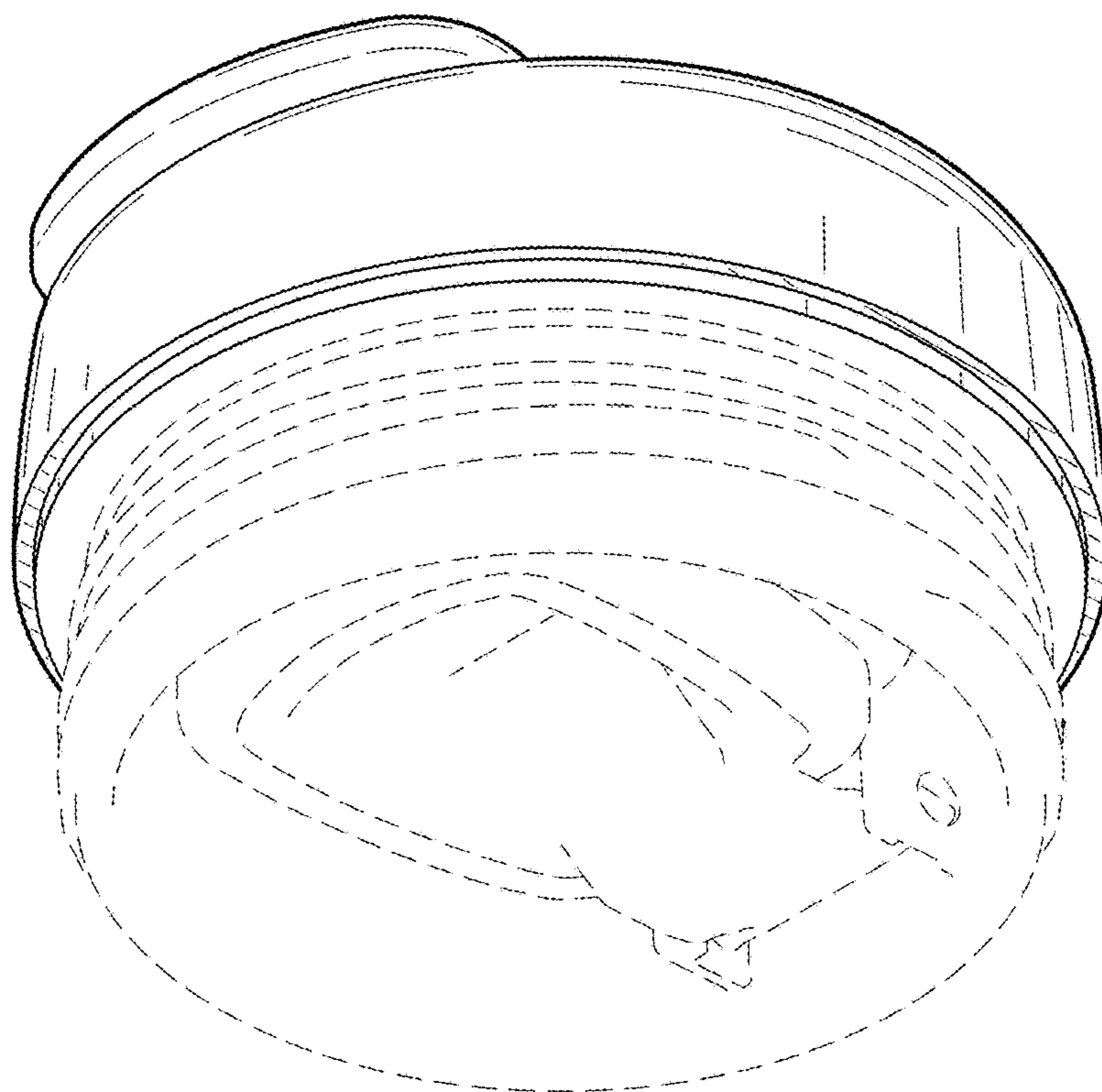


FIG. 10

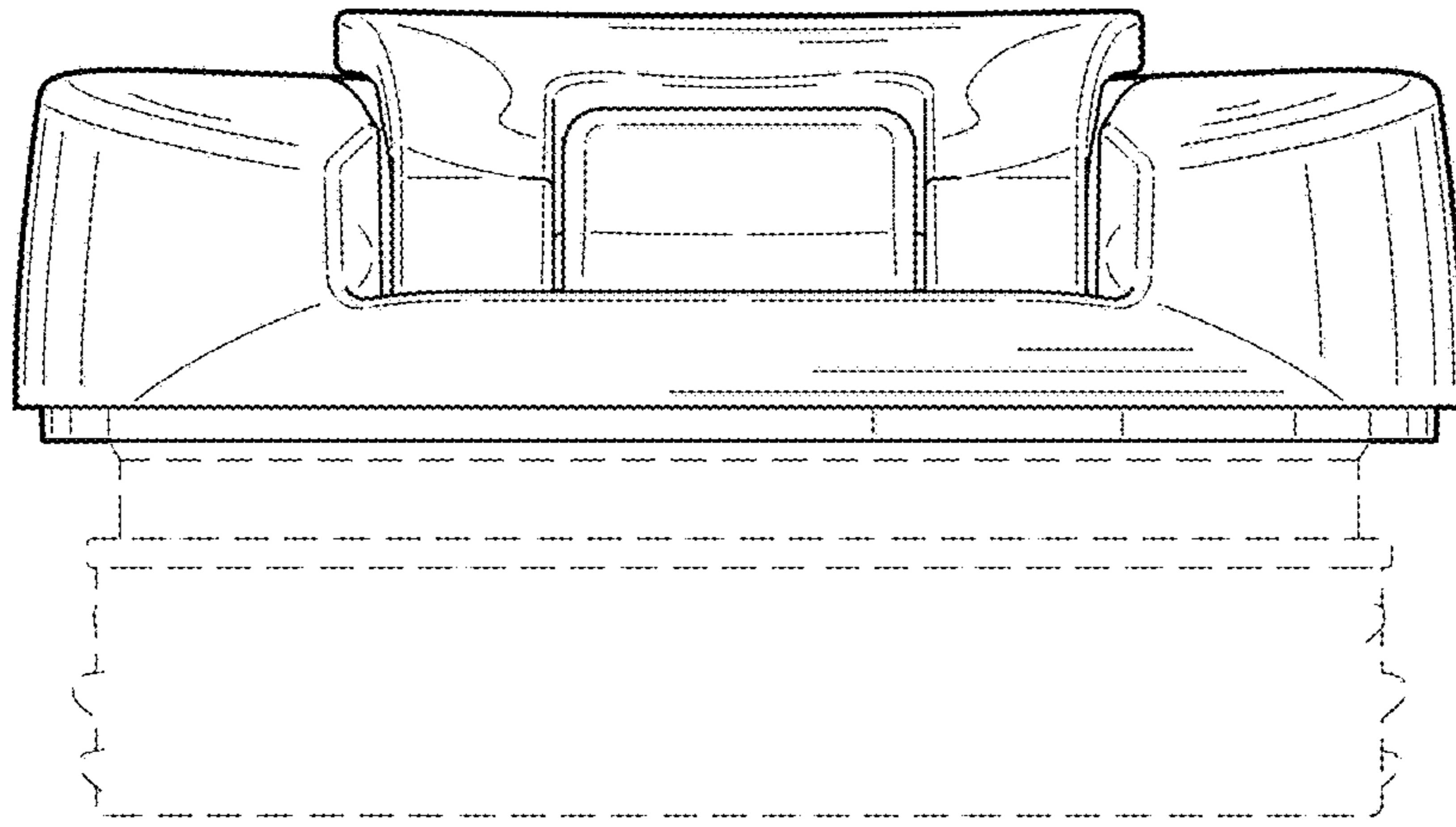


FIG. 11

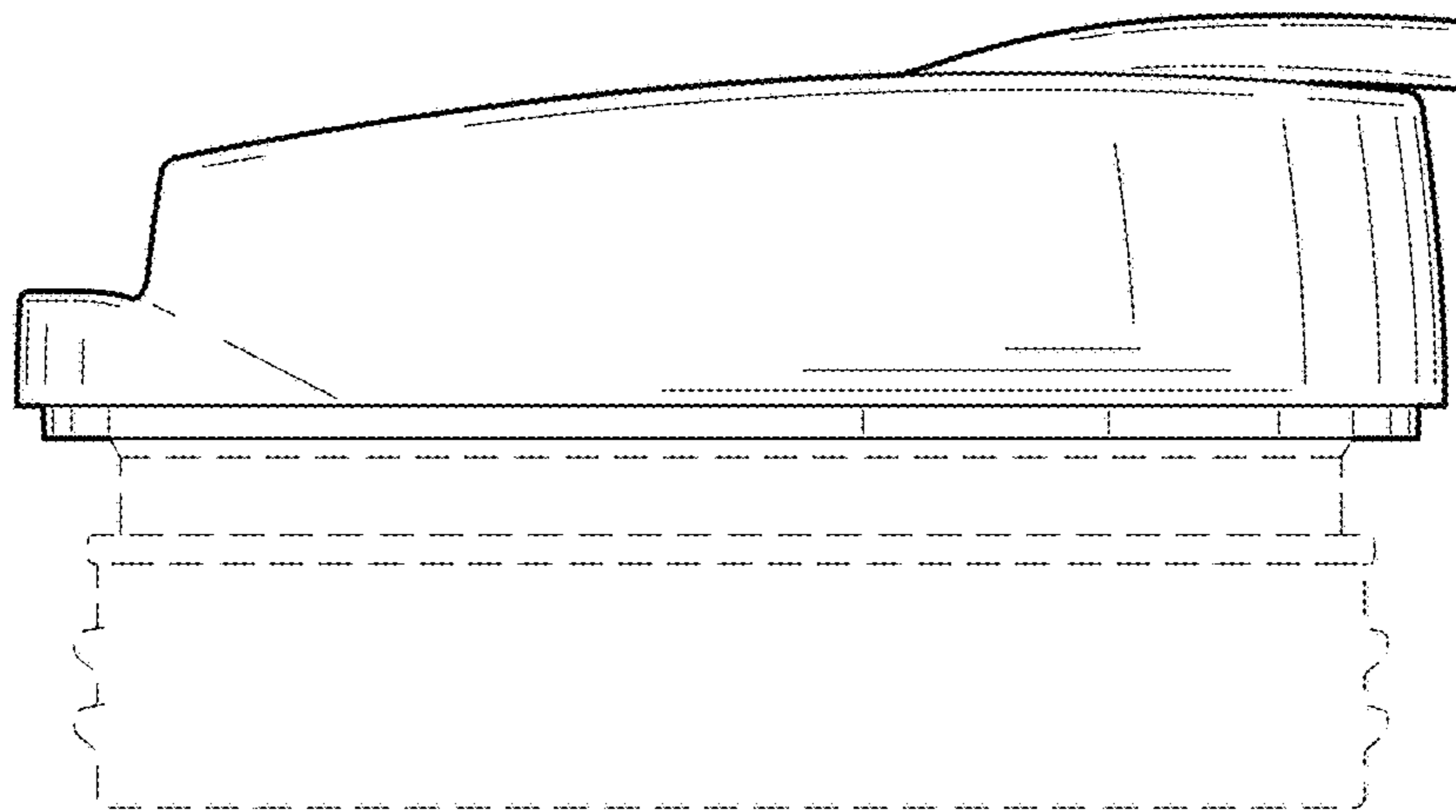


FIG. 12

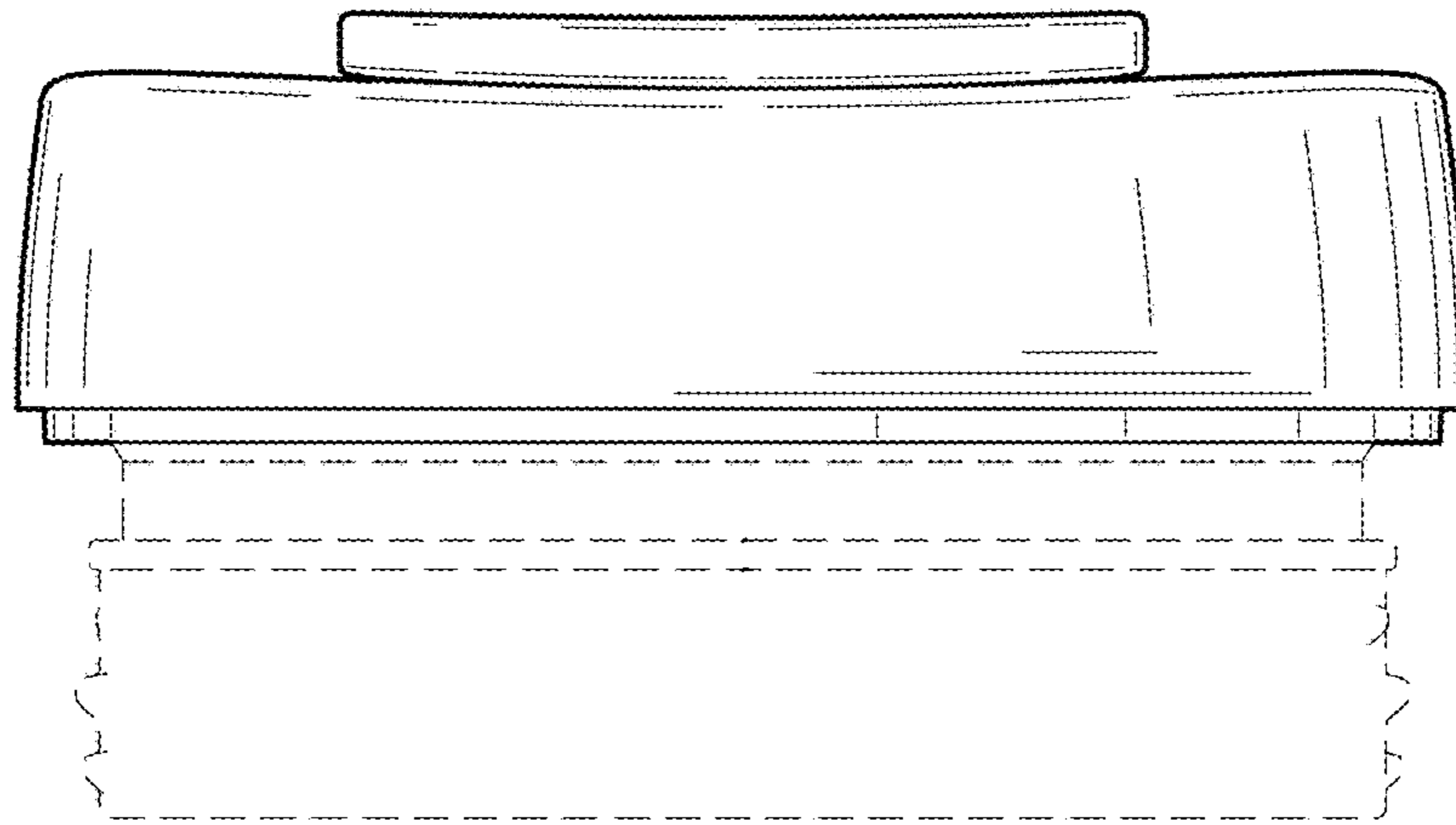


FIG. 13

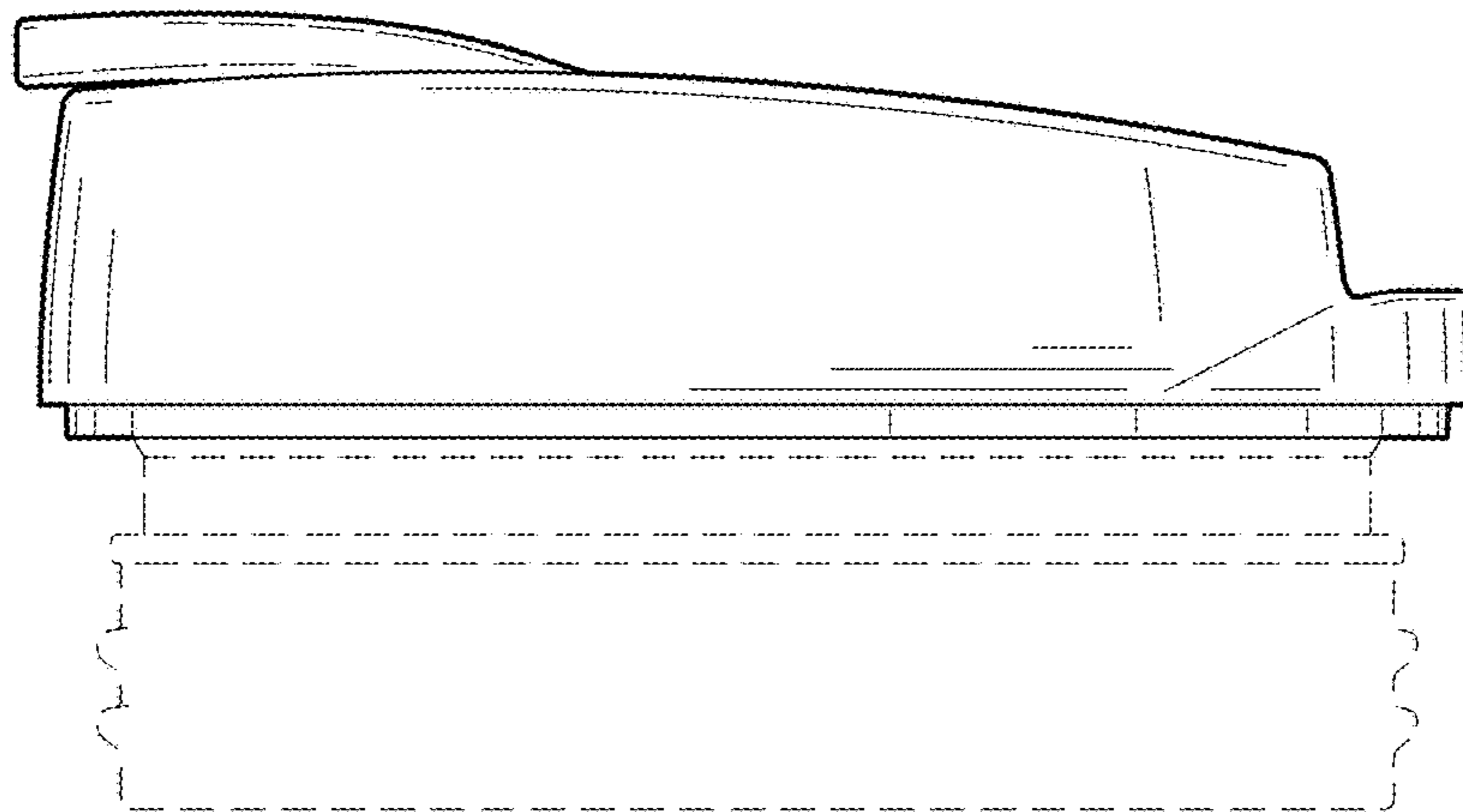


FIG. 14

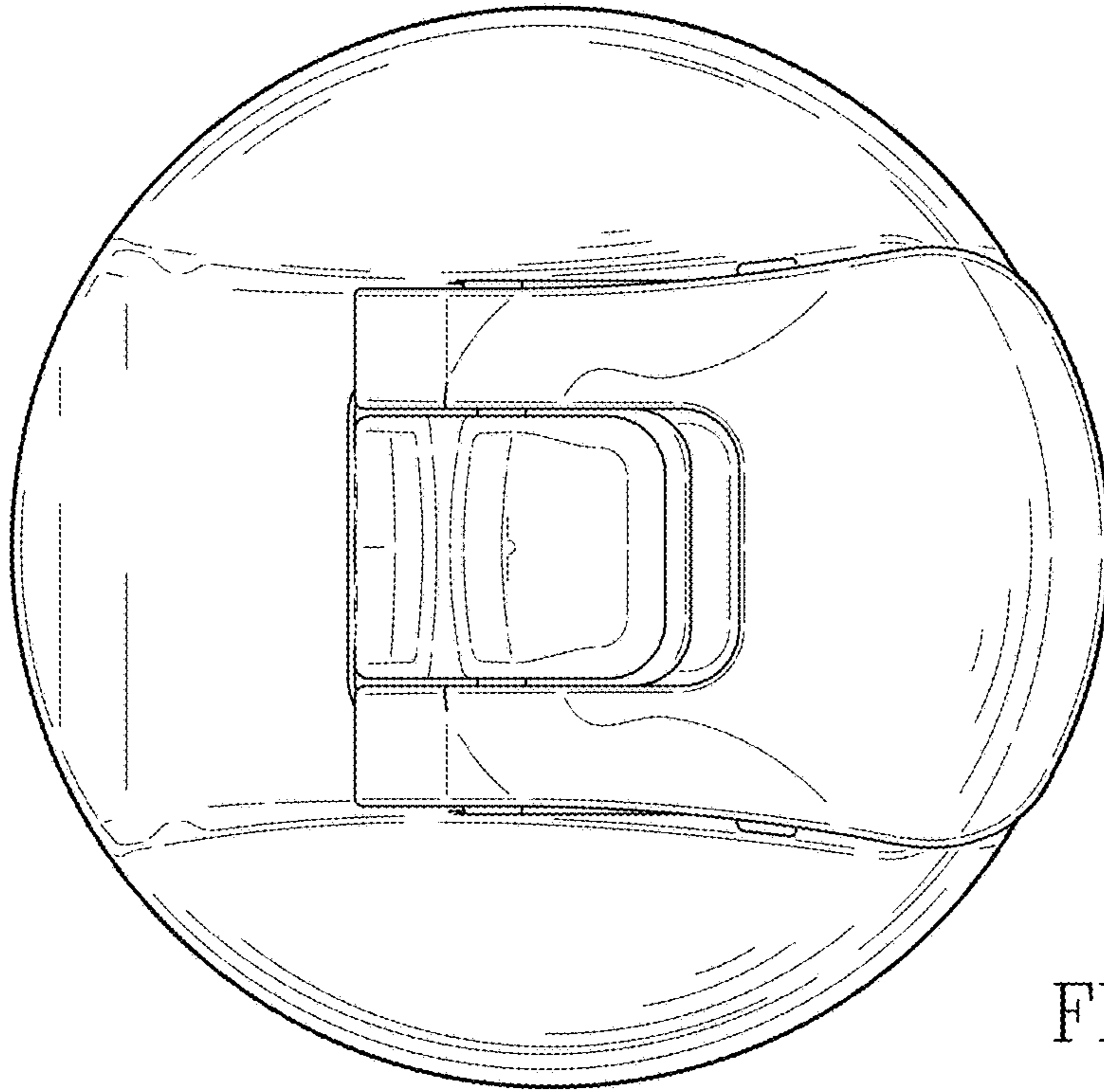


FIG. 15

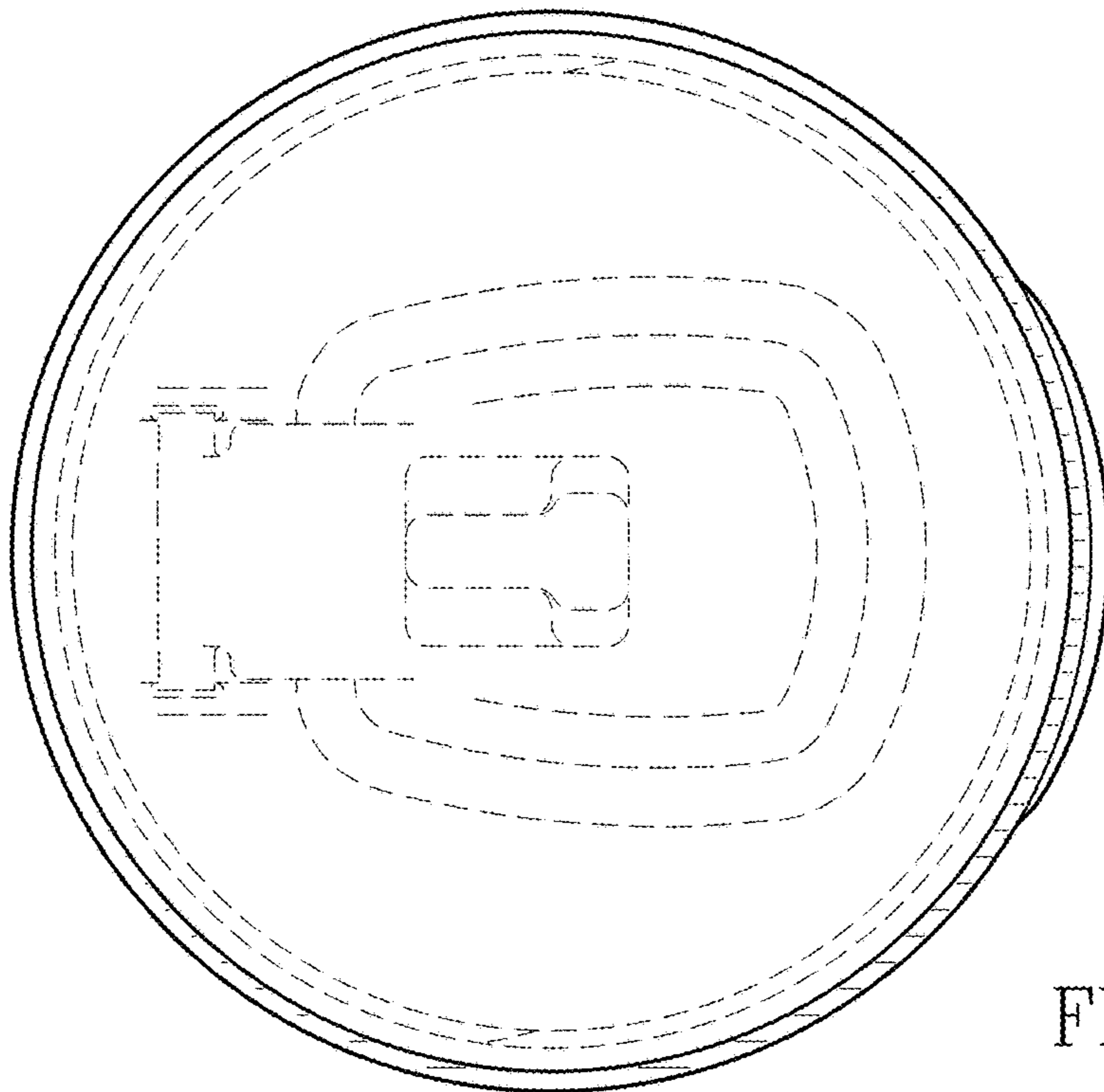


FIG. 16

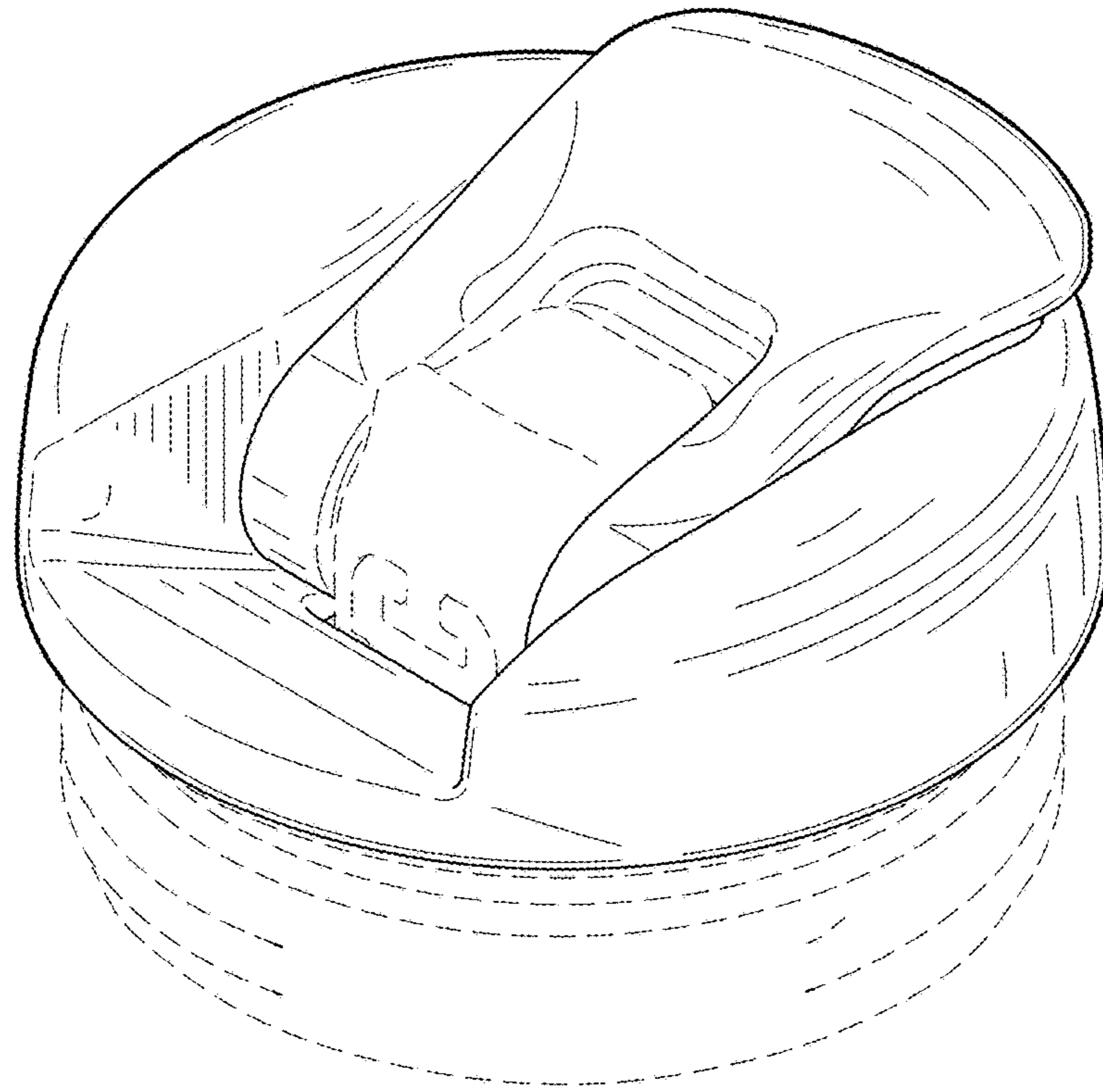


FIG. 17

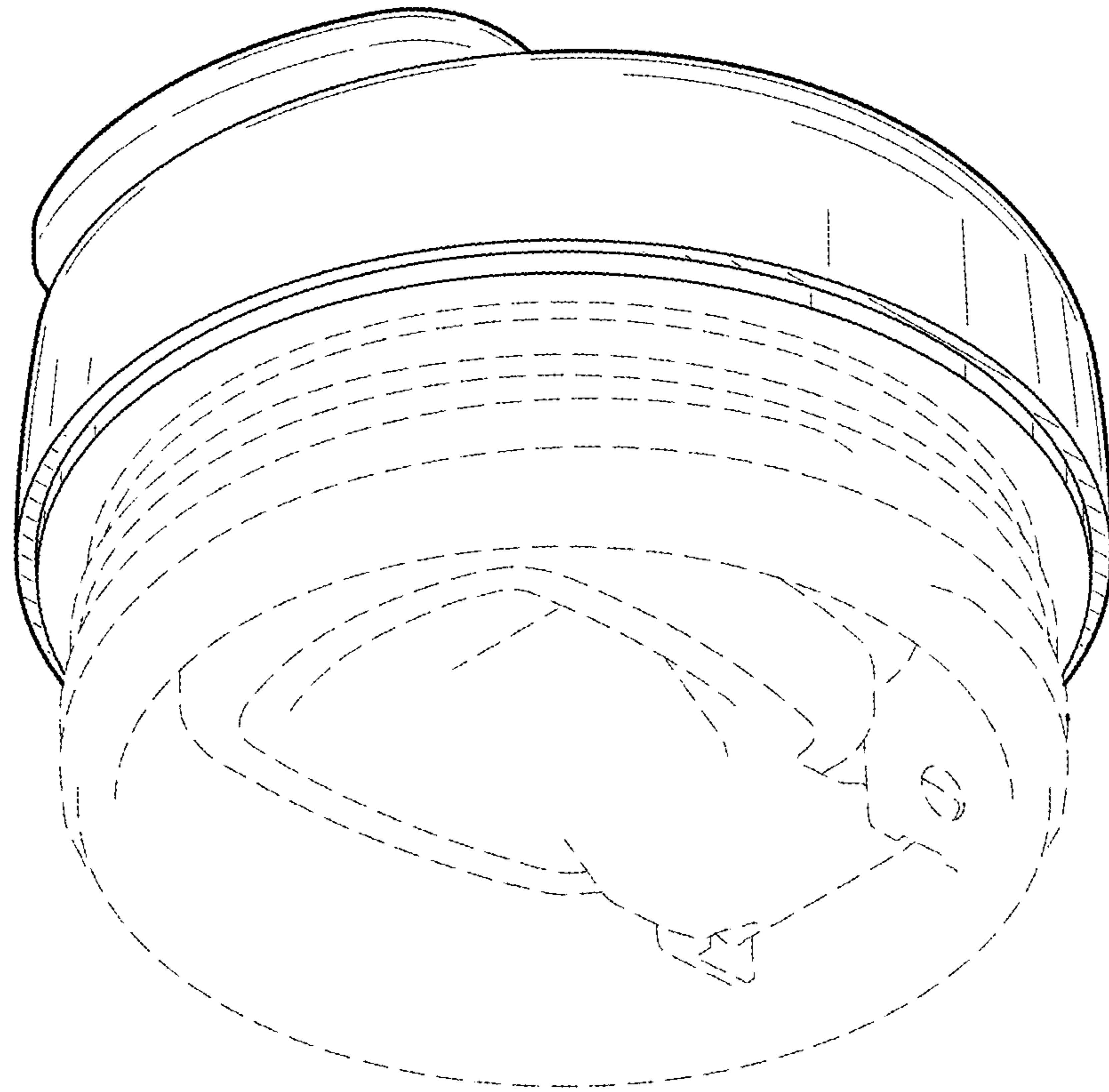


FIG. 18

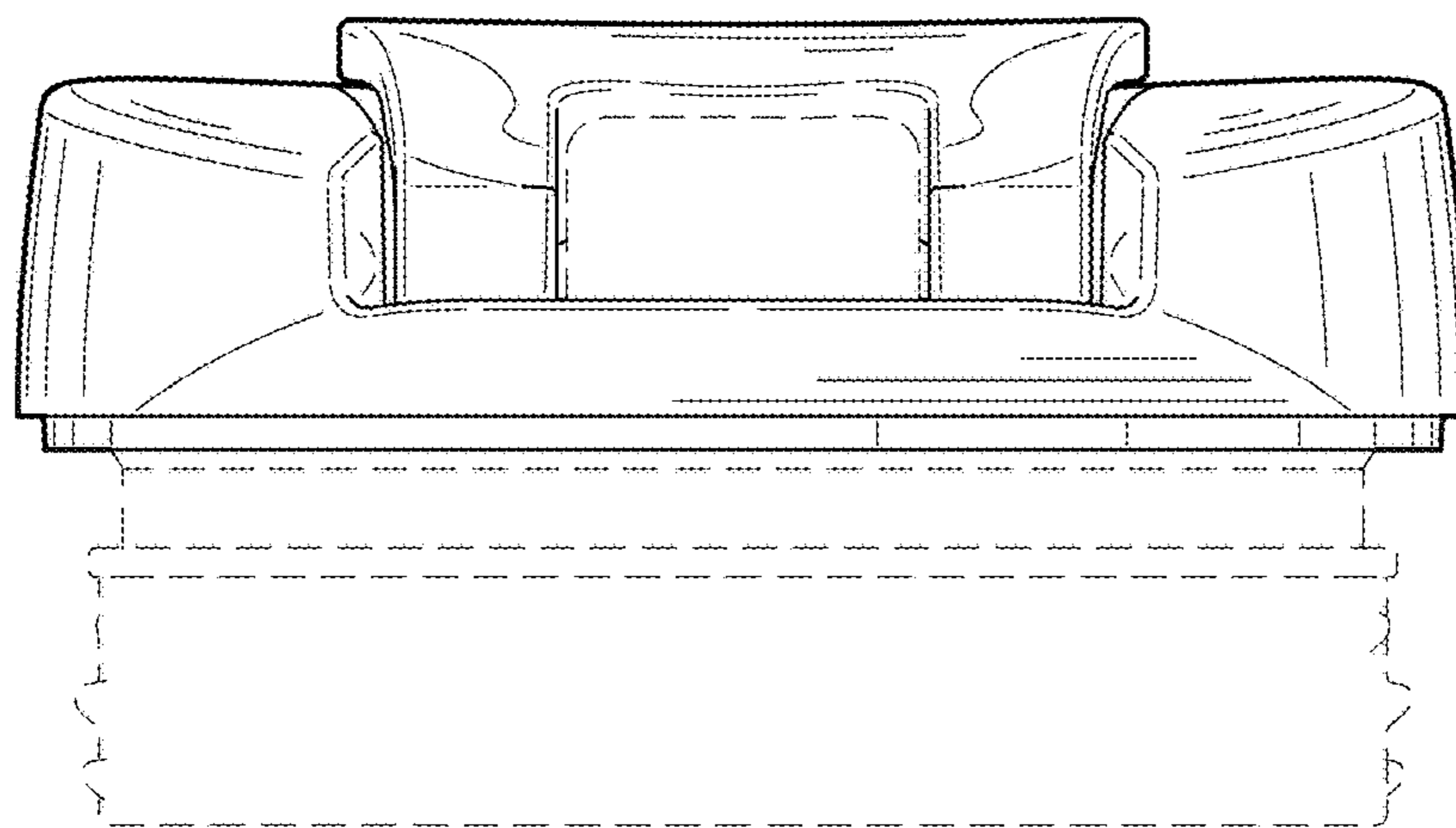


FIG. 19

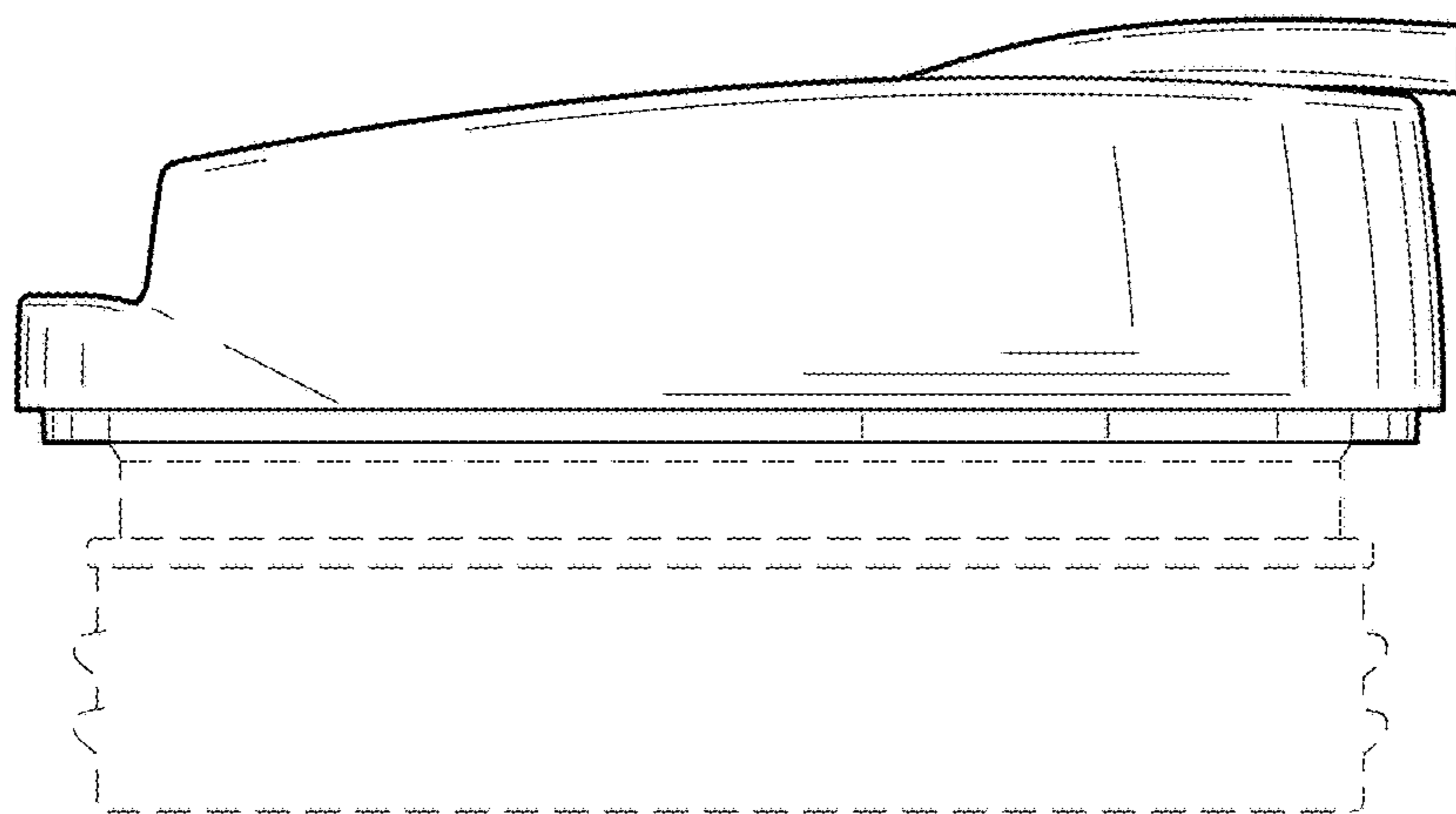


FIG. 20

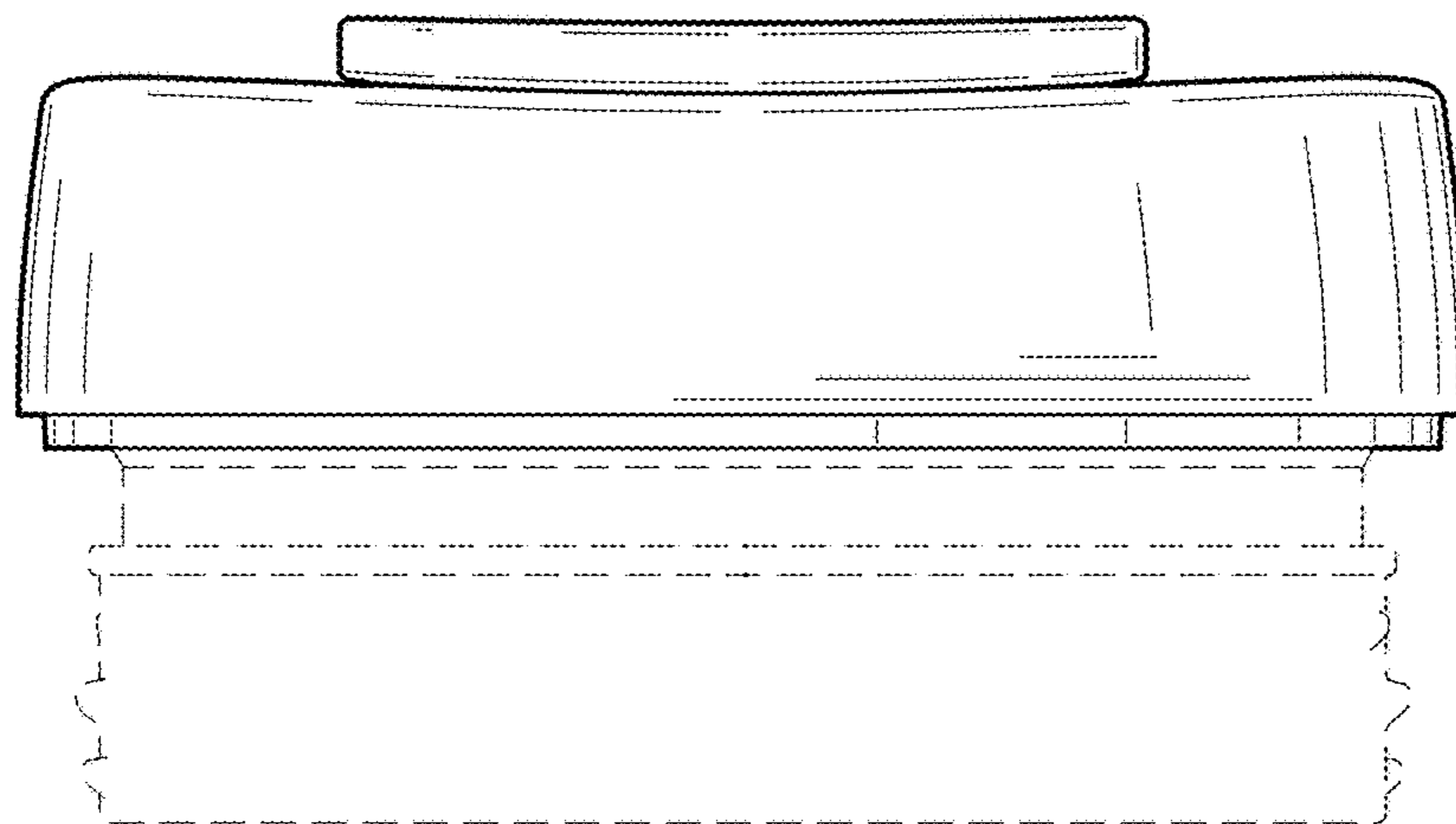


FIG. 21

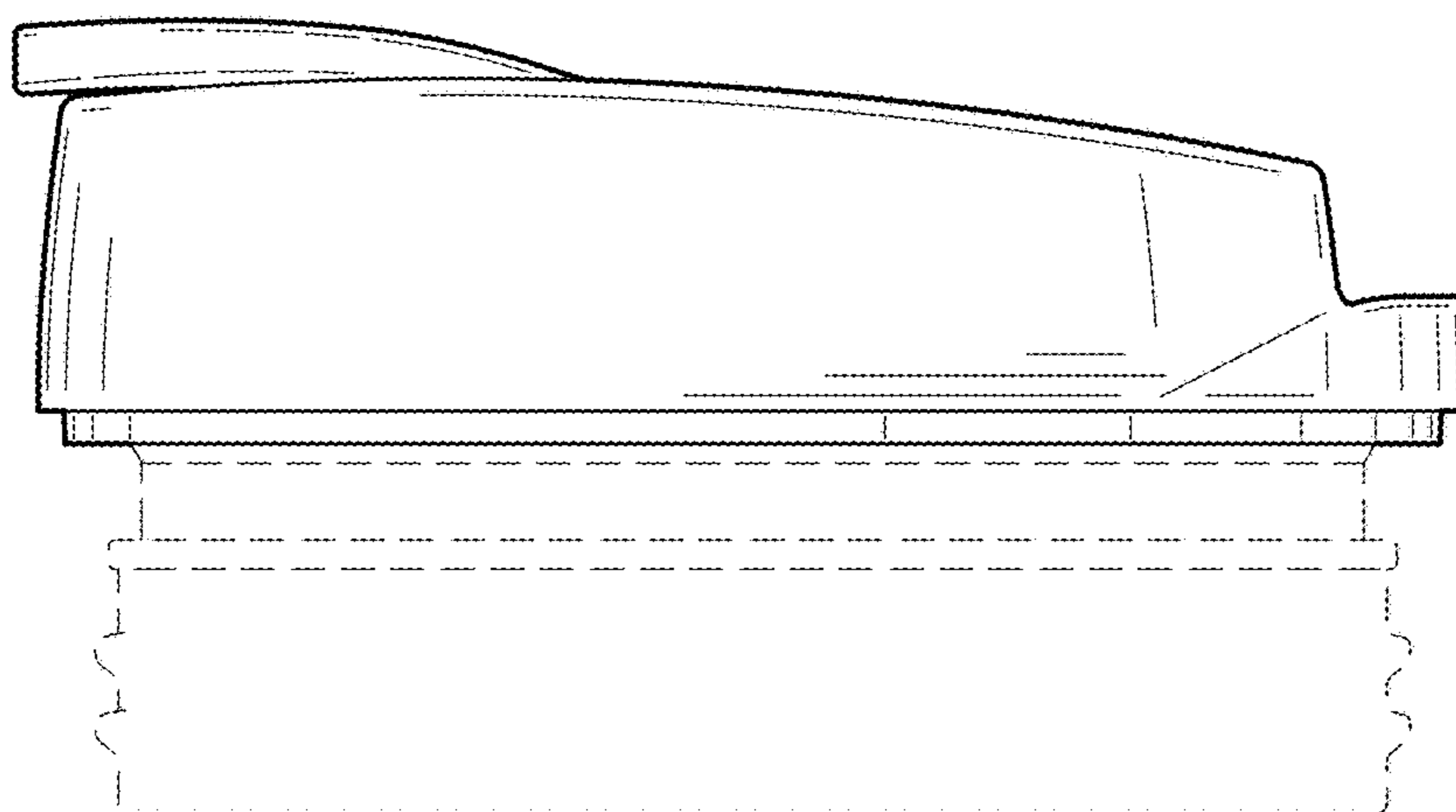


FIG. 22

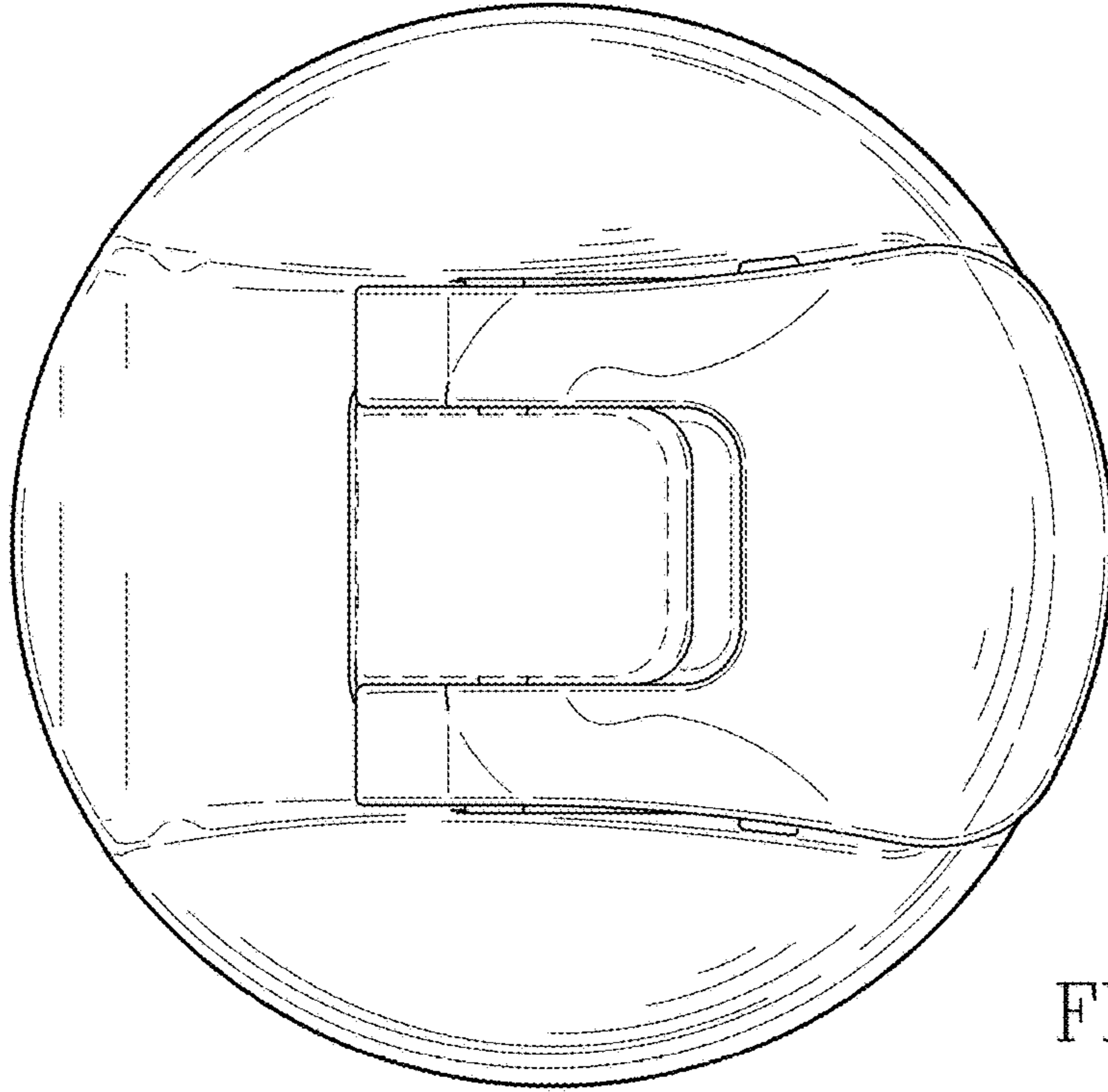


FIG. 23

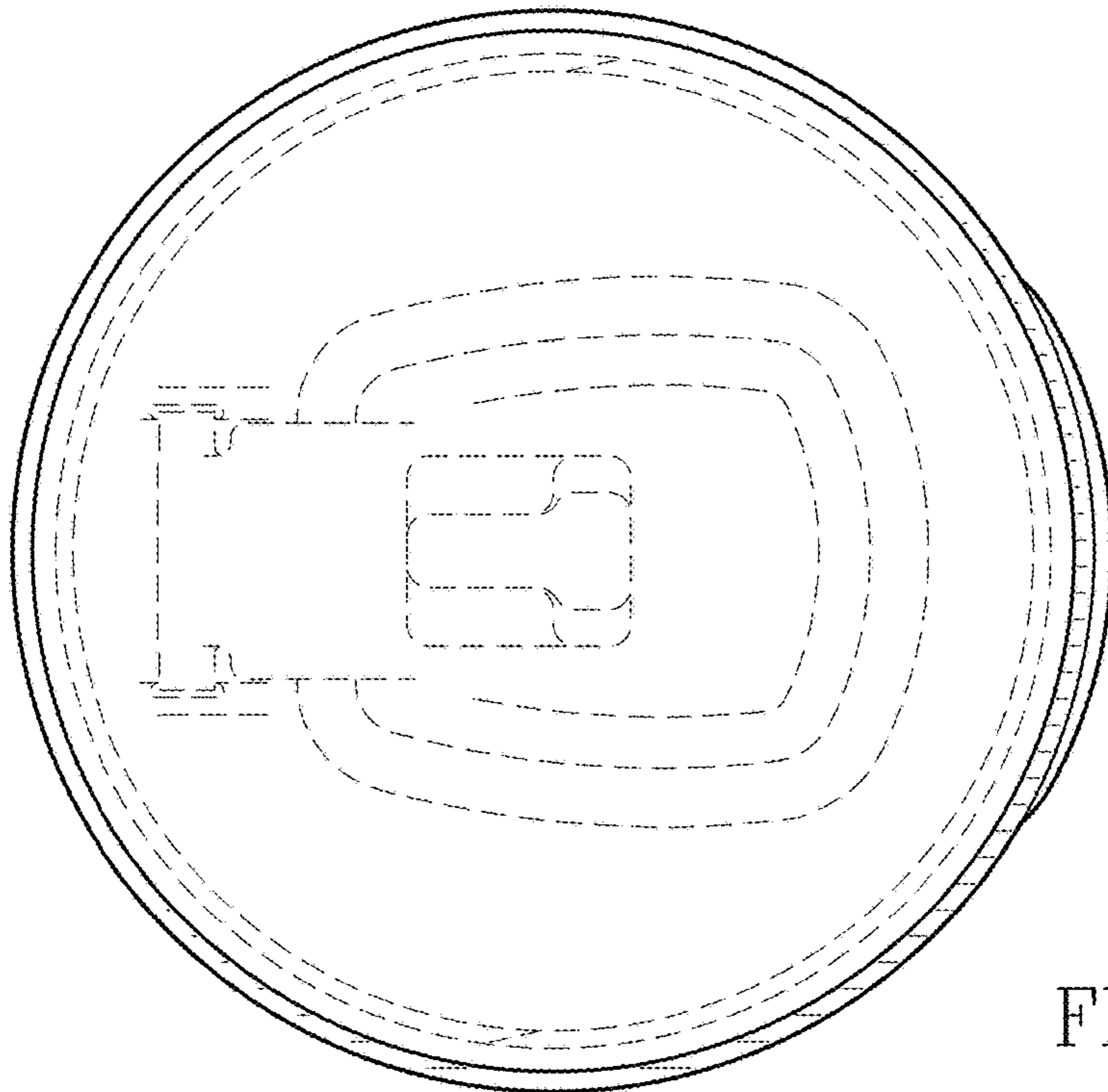


FIG. 24

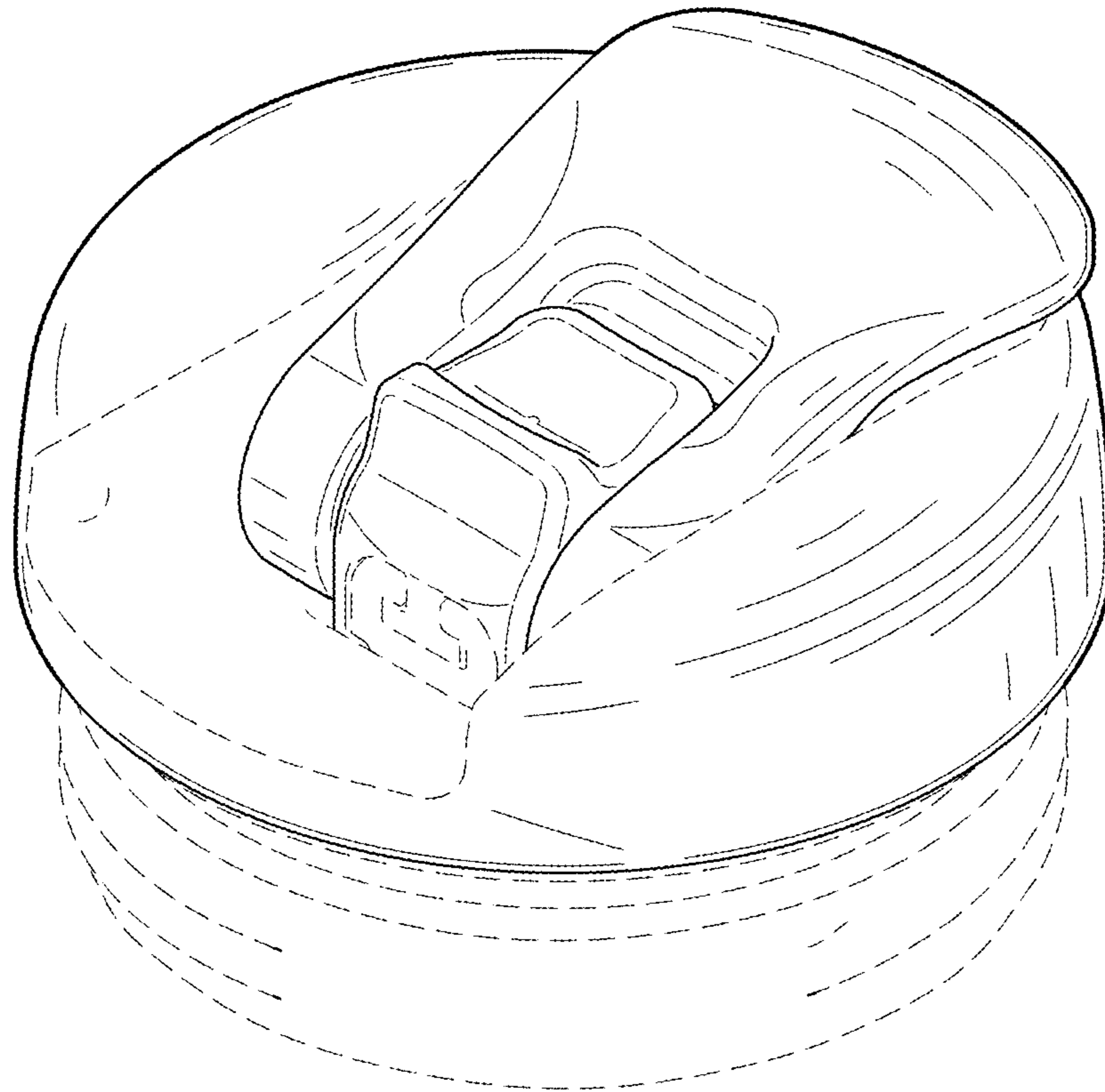


FIG. 25

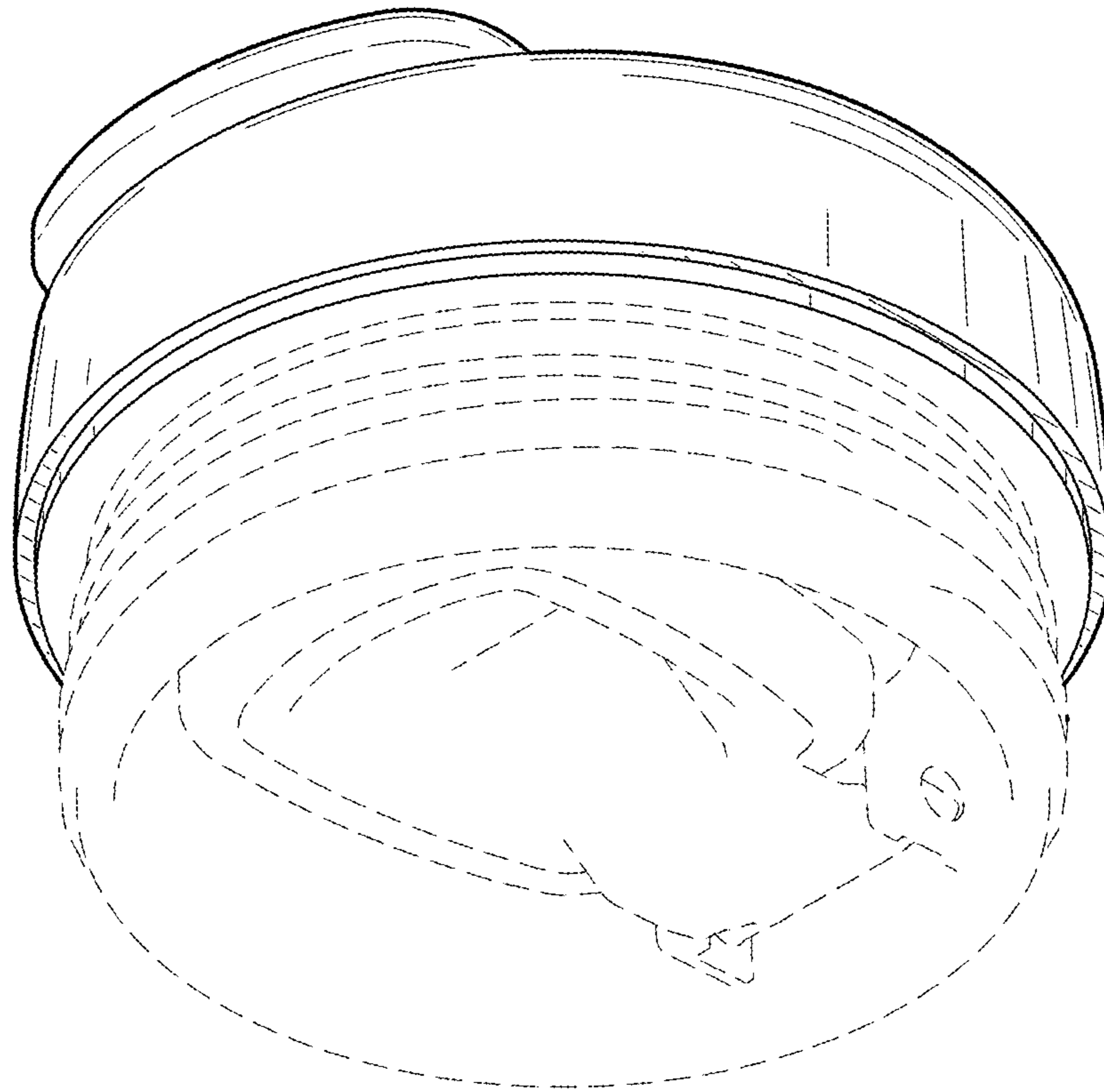


FIG. 26

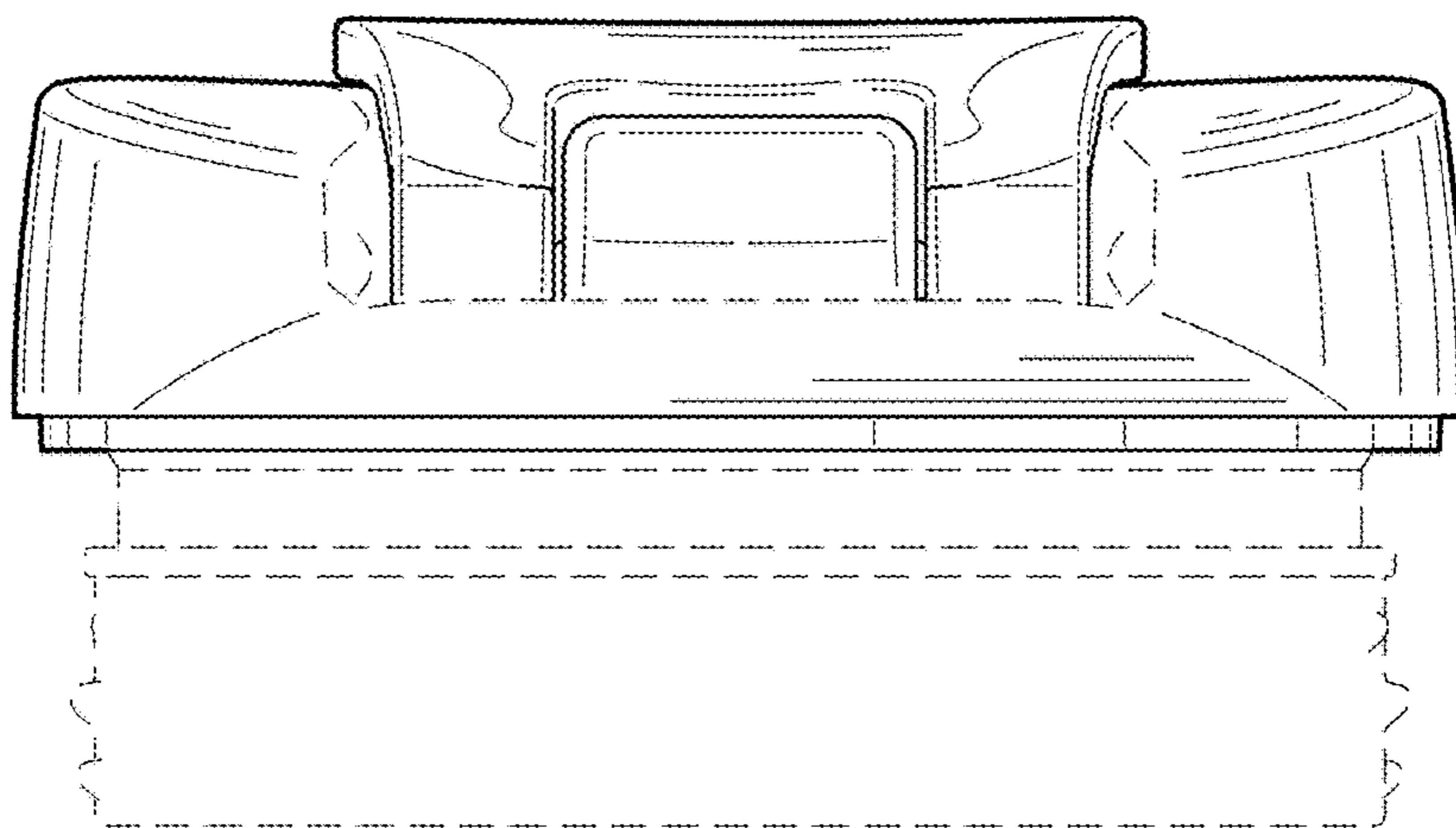


FIG. 27

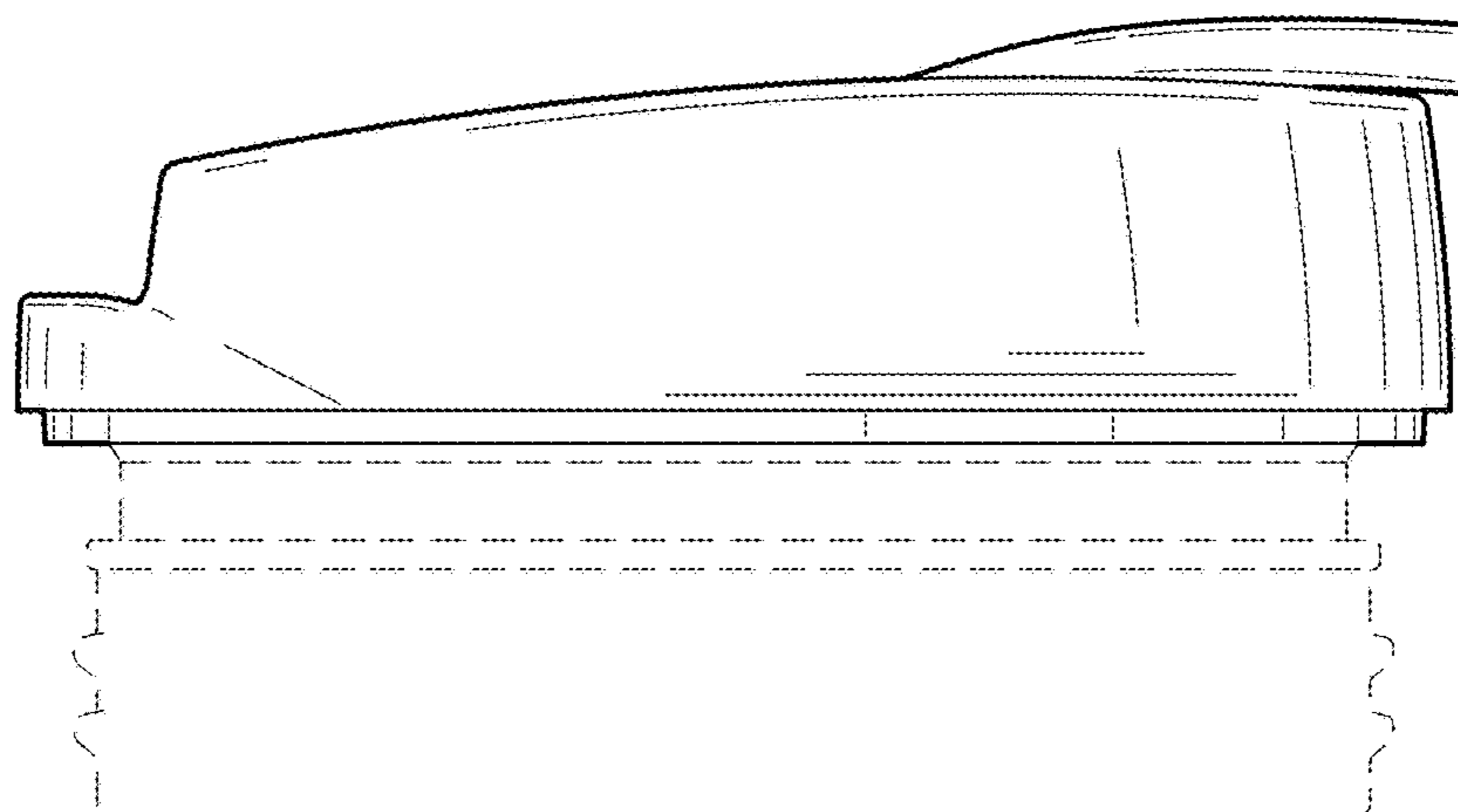


FIG. 28

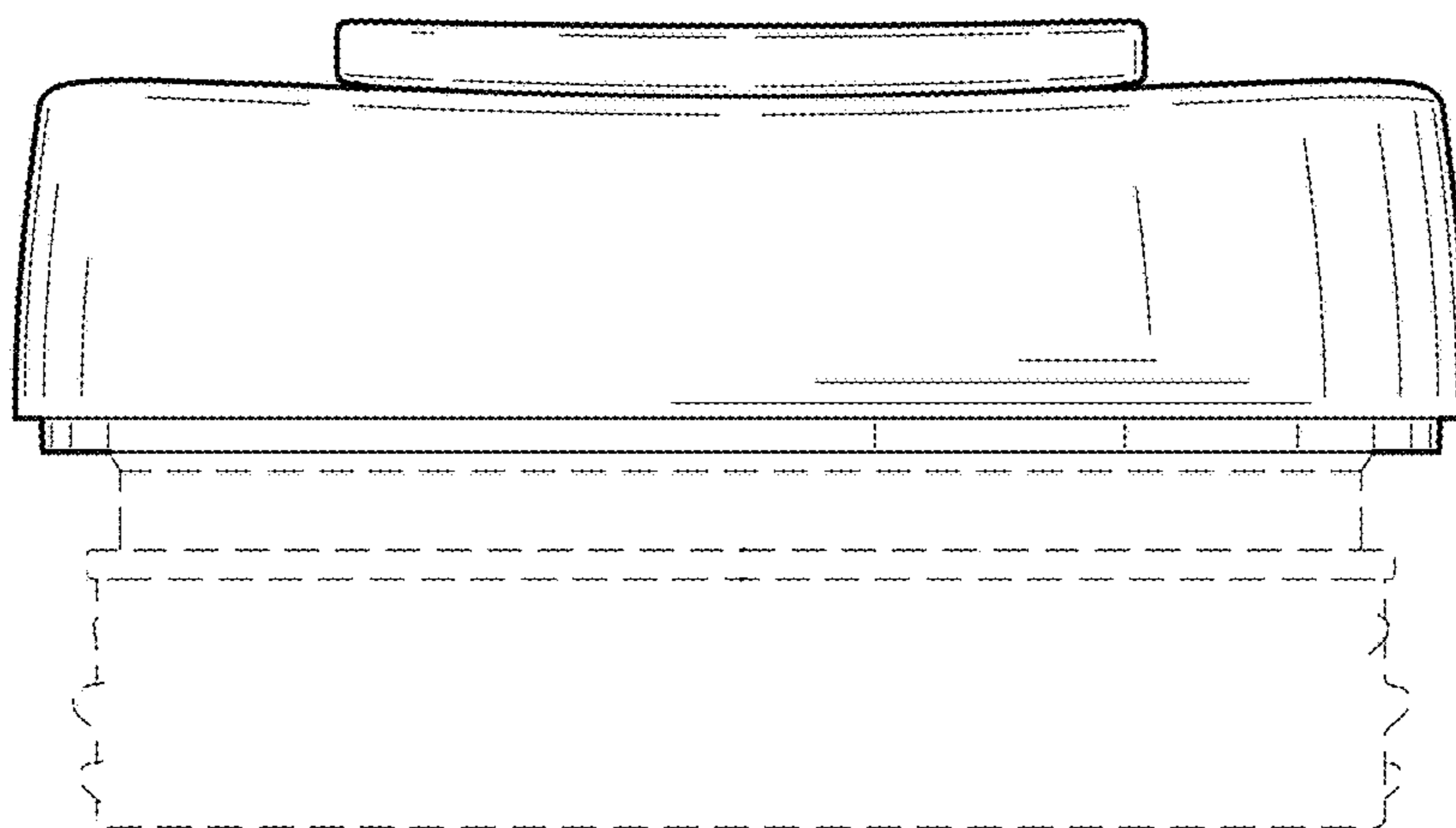


FIG. 29

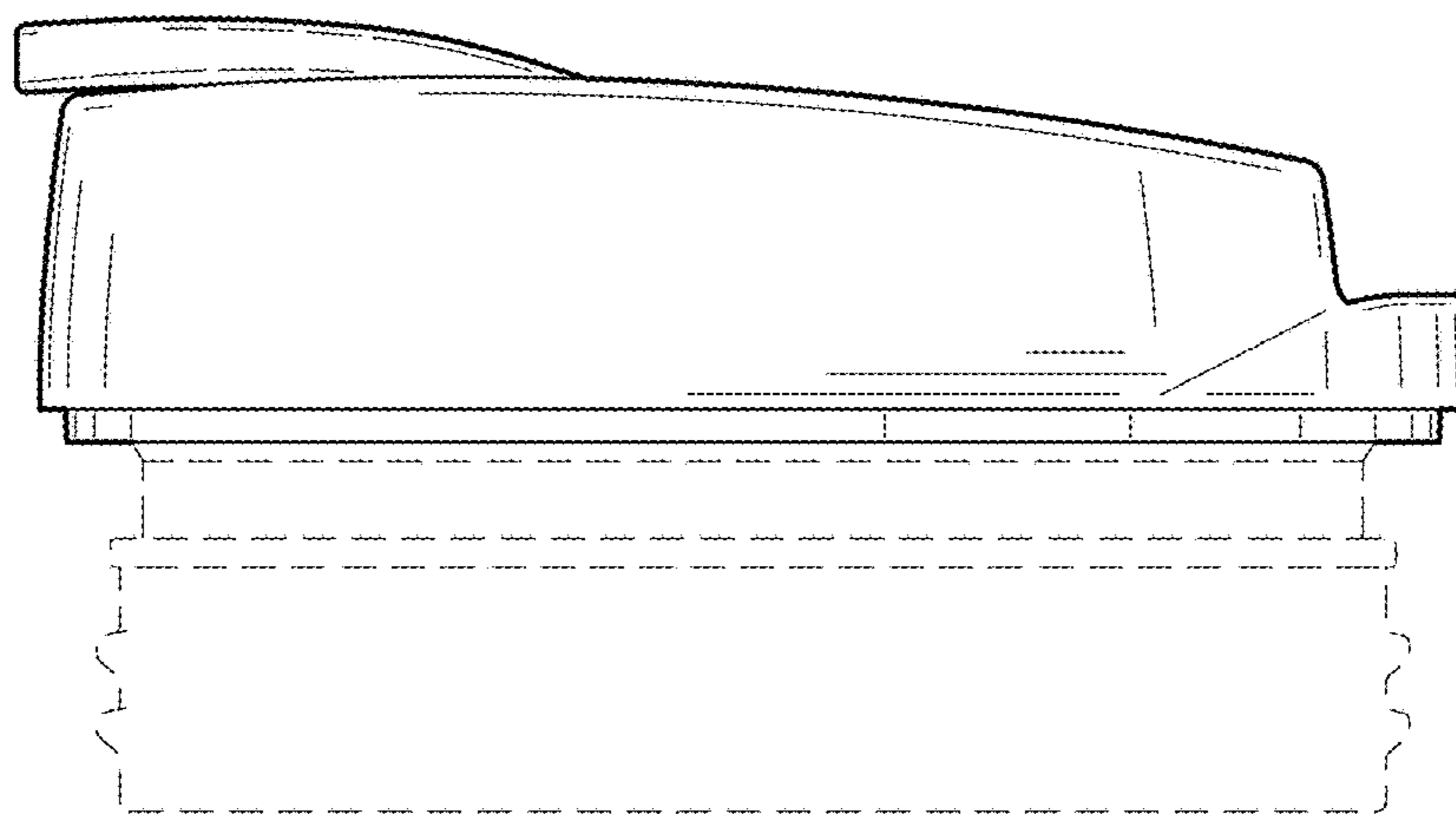


FIG. 30

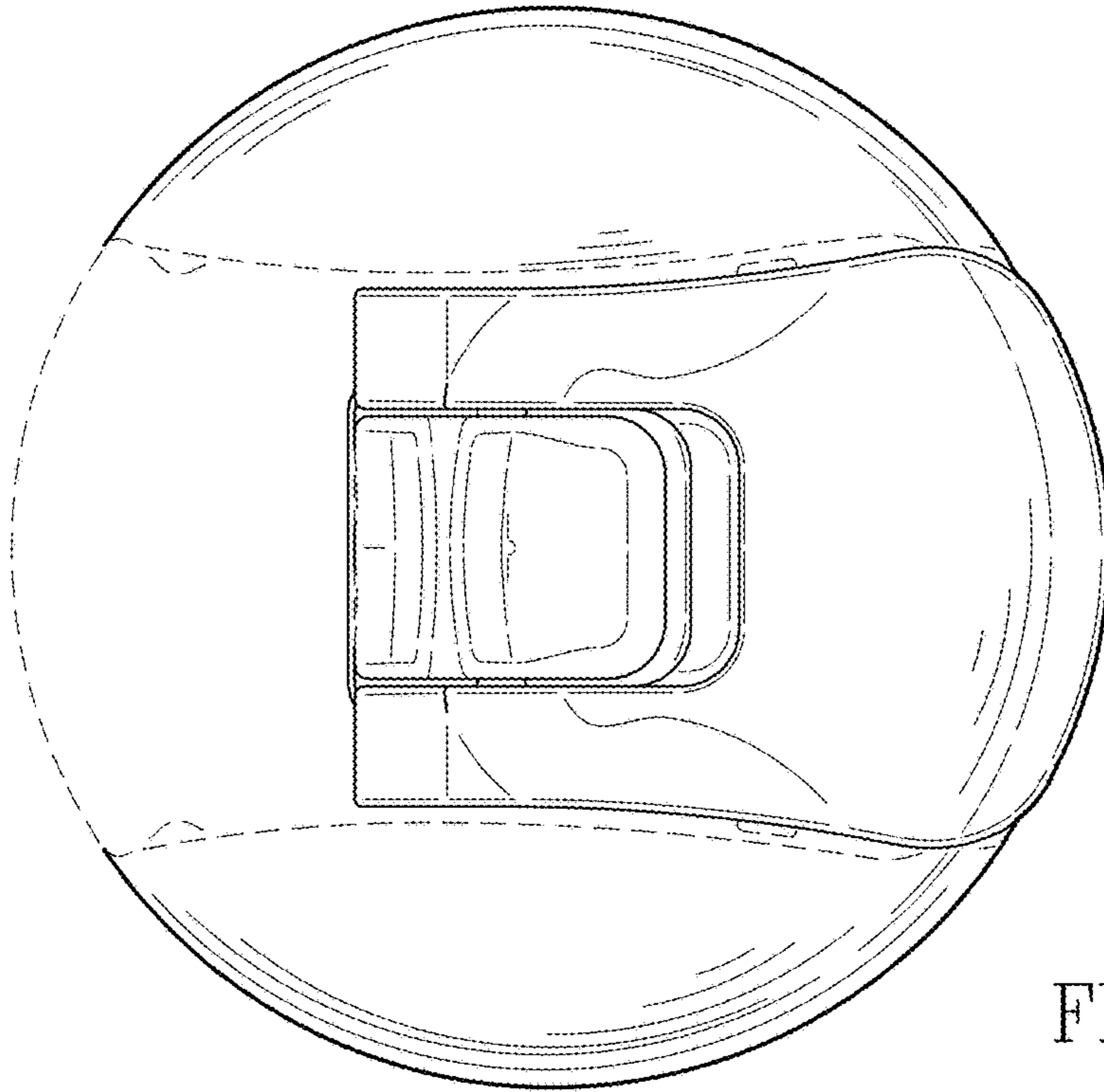


FIG. 31

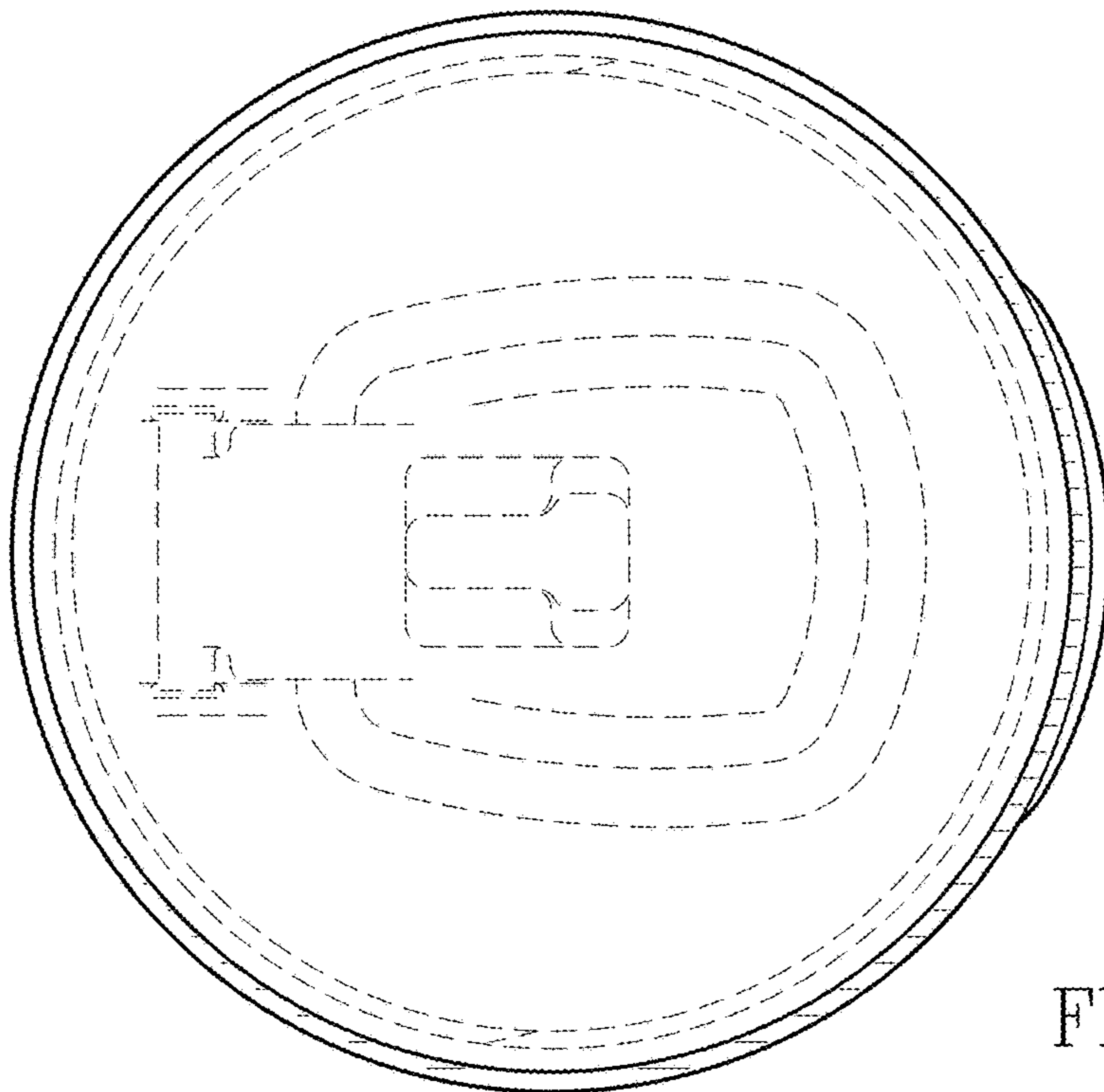


FIG. 32