



US00D817085S

(12) **United States Design Patent** (10) **Patent No.:** **US D817,085 S**
Davis (45) **Date of Patent:** **** May 8, 2018**

(54) **LID FOR A BEVERAGE CONTAINER**

OTHER PUBLICATIONS

(71) Applicant: **Ignite USA, LLC**, Chicago, IL (US)

“Rubbermaid Shaker Bottle”. Found online Oct. 26, 2016 at amazon.com. Page dated May 30, 2014. Retrieved from https://www.amazon.com/Rubbermaid-Shaker-Bottle-28-Ounce-Black/dp/B00J2QLC9G.*

(72) Inventor: **Chad Davis**, Oak Park, IL (US)

“Camelbak Chute Water Bottle”. Found online Jun. 9, 2017 at shopnaturally.com.au. Page dated May 10, 2015. Retrieved from http://www.shopnaturally.com.au/camelbak-chute-water-bottle-bpa-free-tritan-plastic-with-screw-lid-600ml-blastoff-blue.html.*

(73) Assignee: **Ignite USA, LLC**, Chicago, IL (US)

“6 Best Water Bottles for Your Workout: The eco-conscious”. Found online Jun. 9, 2017 at prevention.com. Page dated Nov. 16, 2011. Retrieved from http://www.prevention.com/fitness/fitness-tips/best-bpa-free-water-bottles-for-your-workout.*

(**) Term: **15 Years**

“h2go Surge Aluminum Sport Bottle”. Found online May 24, 2017 at 4imprint.com. Page dated Oct. 2012. Retrieved from https://www.4imprint.com/product/115226-M/h2go-Surge-Aluminum-Sport-Bottle-28-oz-Matte.*

(21) Appl. No.: **29/588,412**

(22) Filed: **Dec. 20, 2016**

(51) **LOC (11) Cl.** **07-01**

(52) **U.S. Cl.**

USPC **D7/392.1**

(58) **Field of Classification Search**

USPC D7/391, 392, 392.1, 396.1, 396.2, 397, D7/509, 510, 543, 629; D9/435, 443, D9/447, 449, 516

CPC B65D 2543/0092; B65D 47/122; B65D 47/2037

See application file for complete search history.

* cited by examiner

Primary Examiner — Robert M. Spear

Assistant Examiner — Kendra Leslie Hamilton

(56) **References Cited**

U.S. PATENT DOCUMENTS

3,307,752	A *	3/1967	Anderson	B65D 23/108
					215/306
D461,361	S *	8/2002	Orr	D7/392.1
D638,658	S *	5/2011	Staton	D7/392
8,403,173	B2 *	3/2013	Wahl	B65D 47/248
					215/387
D682,016	S *	5/2013	Knight	D7/392.1
D723,328	S *	3/2015	Steel	D7/396.2
D748,943	S *	2/2016	Miller	D7/392.1
D752,916	S *	4/2016	Goodwin	D7/392.1
D758,189	S *	6/2016	Roth	D7/392.1
D763,076	S *	8/2016	Lane	D9/446
D763,688	S *	8/2016	Breit	D9/443
D790,912	S *	7/2017	Joseph	D7/391
2011/0253733	A1 *	10/2011	Meyers	B65D 47/089
					220/833

(57) **CLAIM**

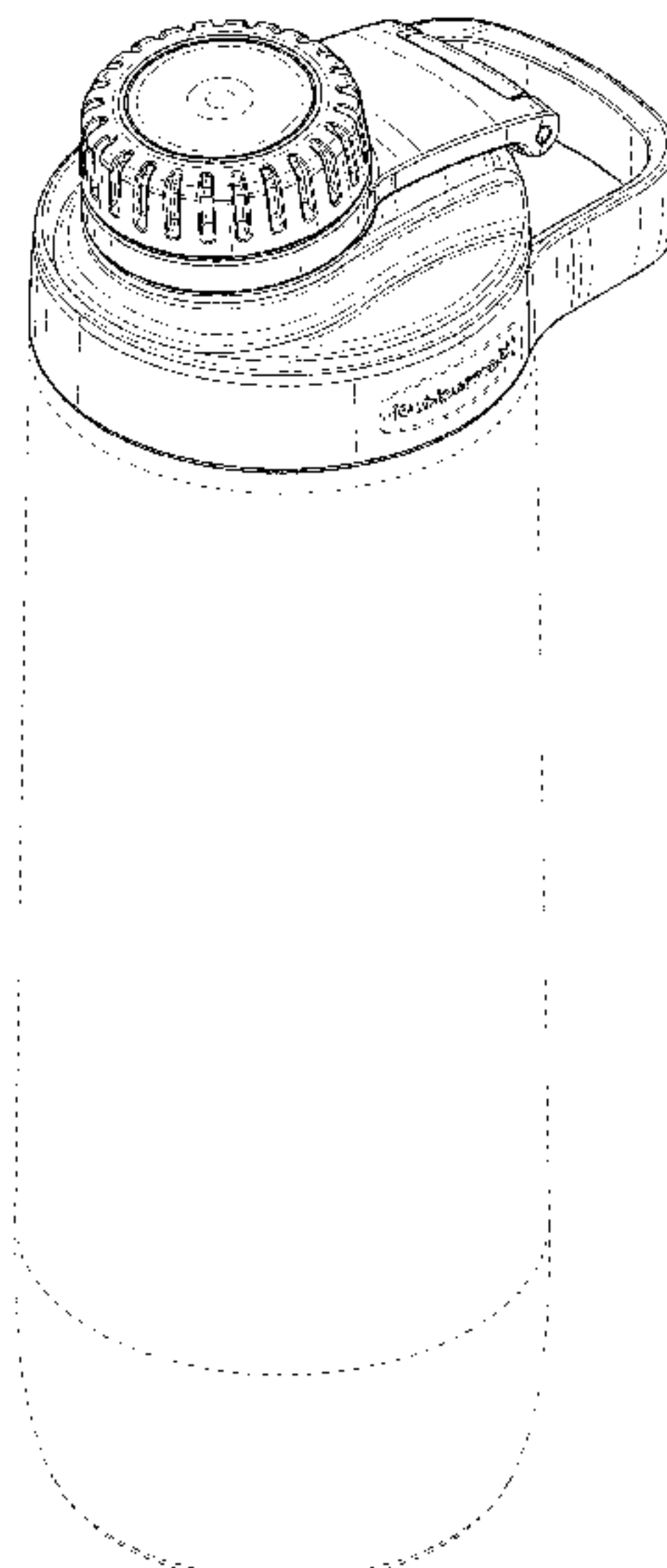
The ornamental design for a lid for a beverage container, as shown and described.

DESCRIPTION

FIG. 1 is a top perspective view of a lid for a beverage container, showing a new design; FIG. 2 is a front view thereof; FIG. 3 is a rear view thereof; FIG. 4 is a left view thereof; FIG. 5 is a right view thereof; FIG. 6 is a top view thereof; and, FIG. 7 is a bottom view thereof.

In the drawings, the broken lines depict environmental subject matter only and form no part of the claimed design.

1 Claim, 7 Drawing Sheets



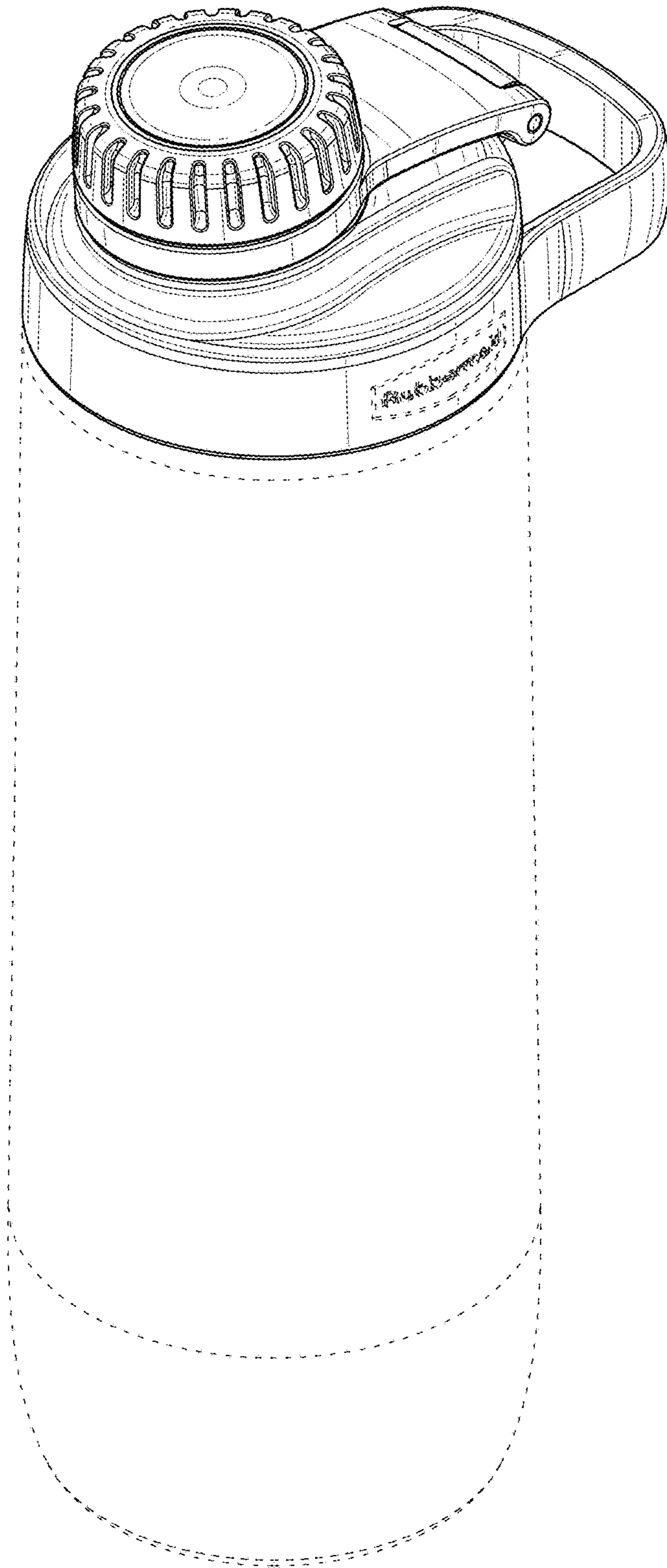


FIG. 1



FIG. 2

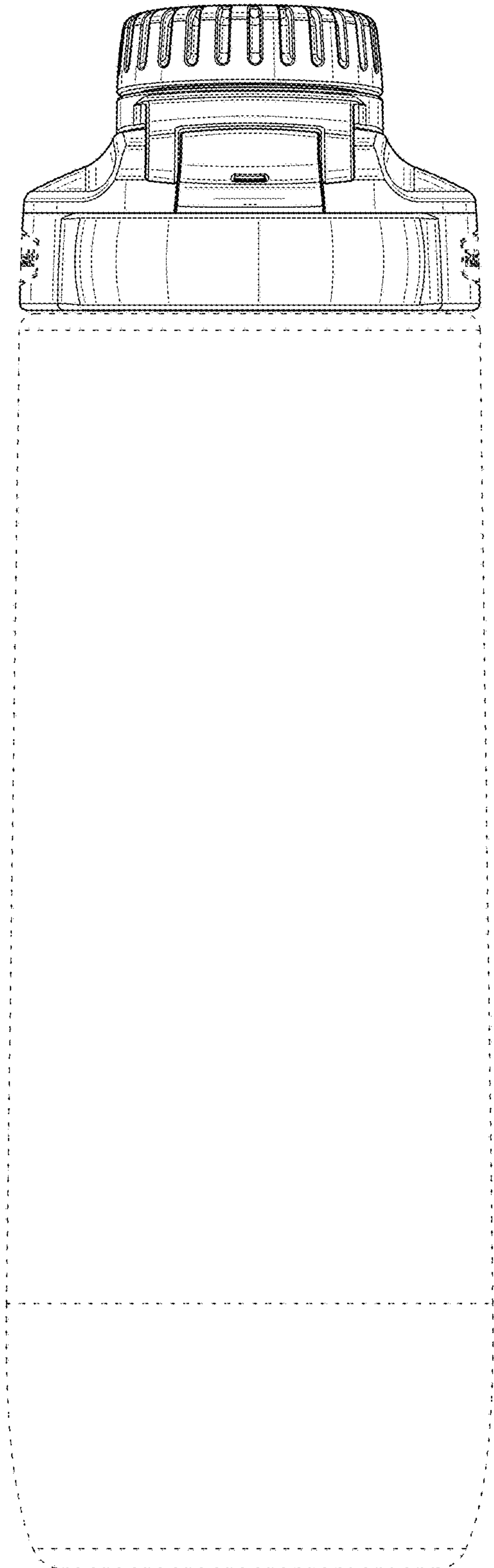


FIG. 3



FIG. 4

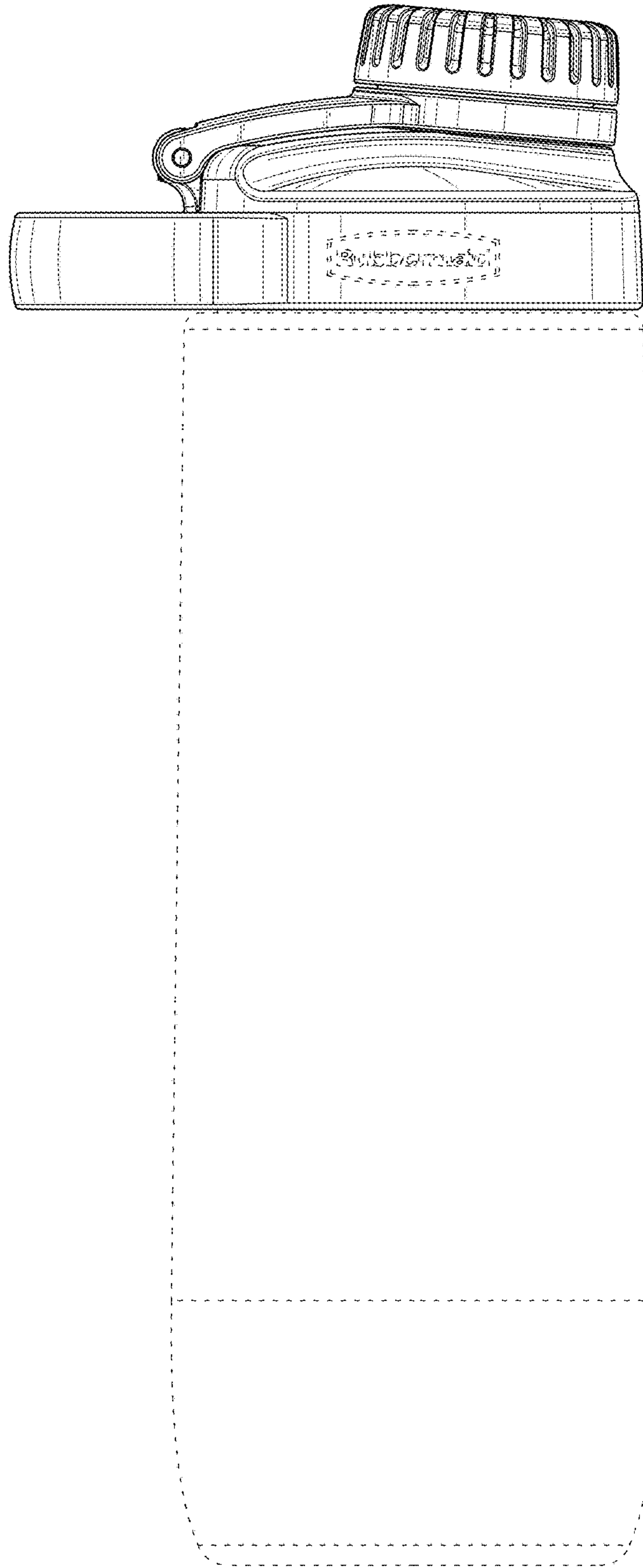


FIG. 5

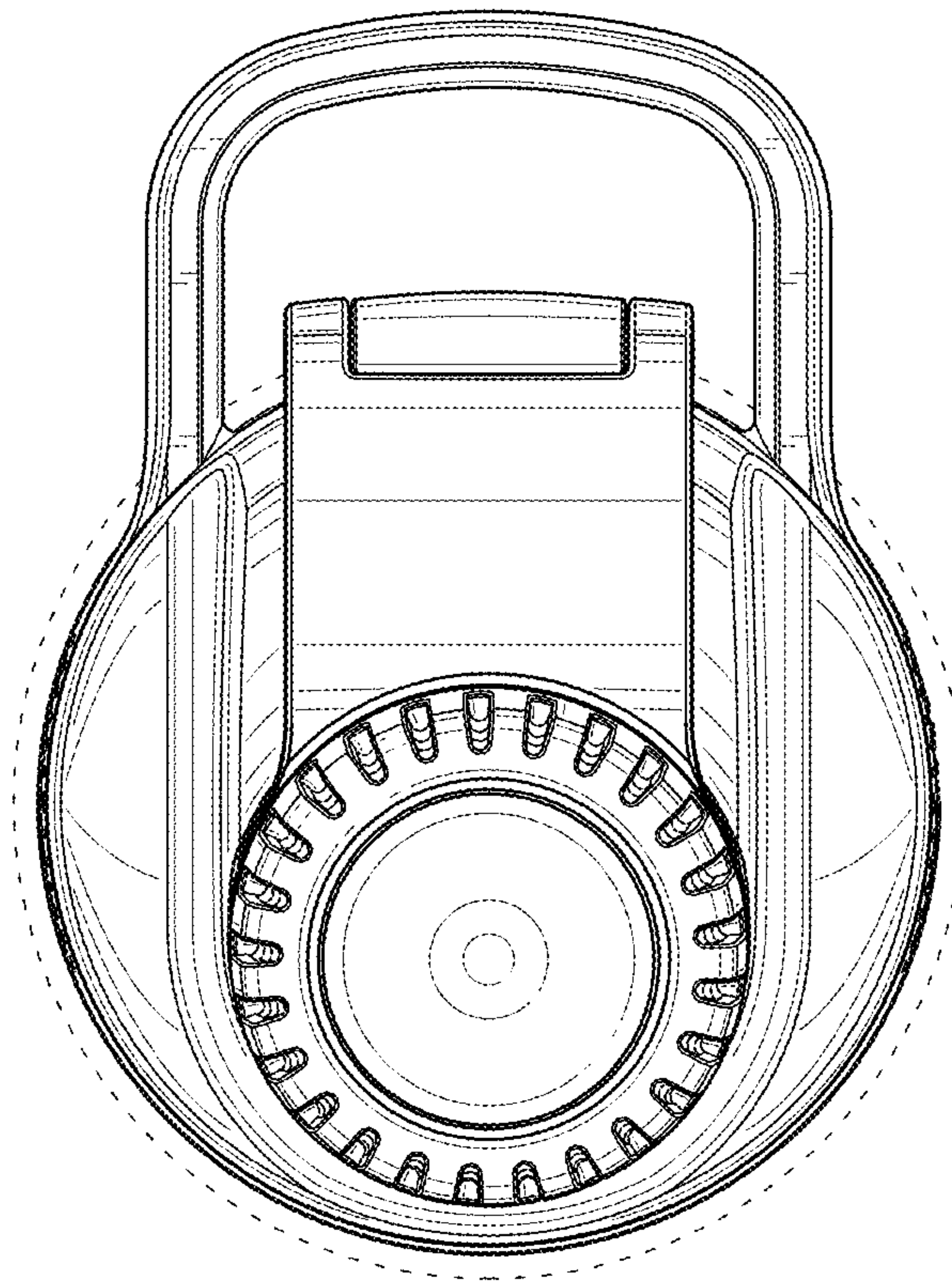


FIG. 6

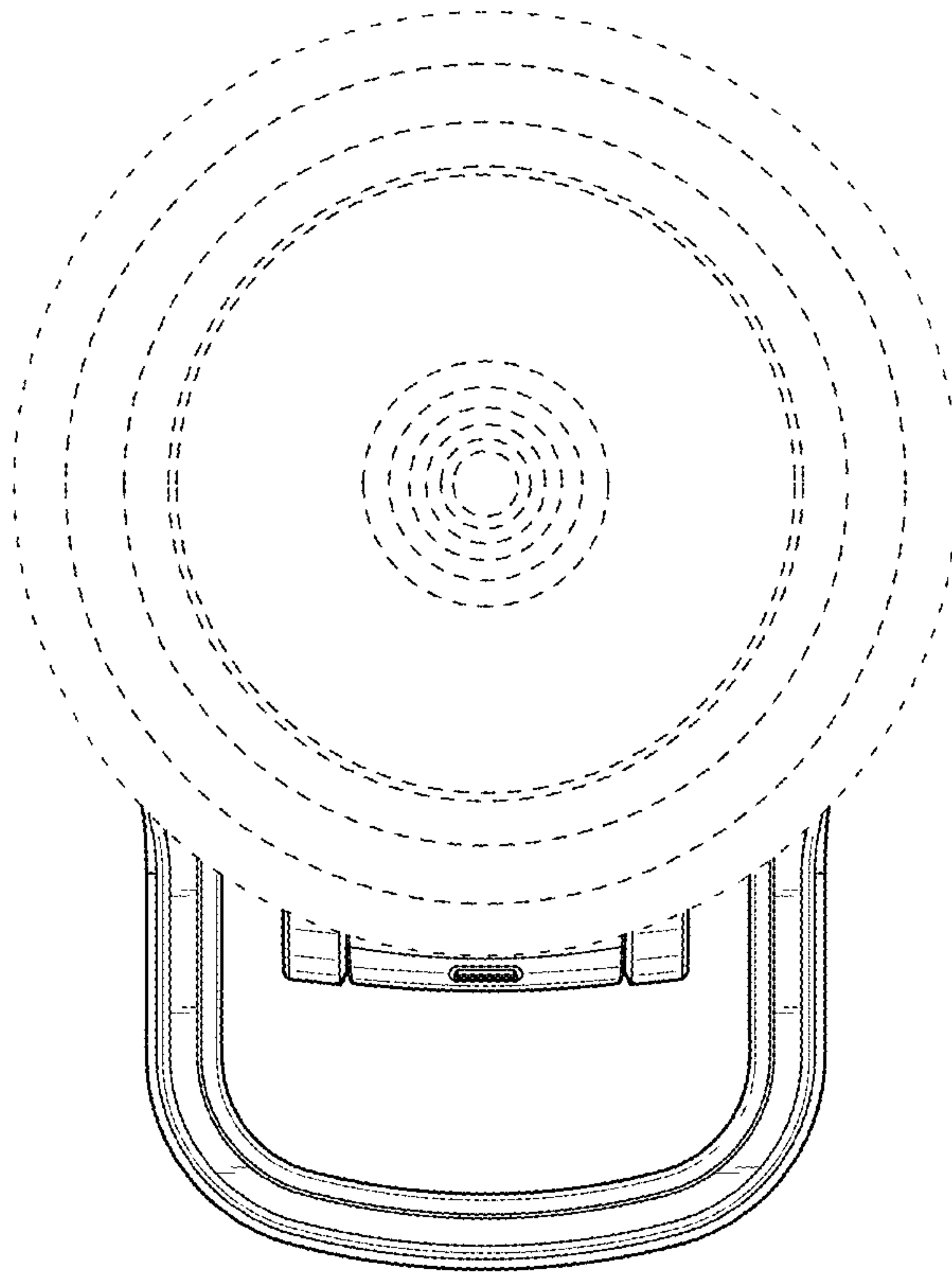


FIG. 7