



US00D817084S

(12) **United States Design Patent**
Hammer

(10) **Patent No.:** **US D817,084 S**

(45) **Date of Patent:** **** May 8, 2018**

(54) **LID FOR BEVERAGE CONTAINER**

OTHER PUBLICATIONS

(71) Applicant: **IGNITE USA, LLC**, Chicago, IL (US)

“Avex Brazos 25 oz Water Bottle”. Found online Oct. 24, 2017 at amazon.com. Page dated May 6, 2013. Retrieved from https://www.amazon.com/Avex-Brazos-25-Water-Bottle/dp/B01FVE68QE/ref=cm_cr_ar_p_d_product_top?ie=UTF8.*

(72) Inventor: **Allison Michelle Hammer**, Chicago, IL (US)

“Salute Tritan Bottle—Flip Straw”. Found online Oct. 27, 2016 at waterbottles.com. Page dated Oct. 10, 2014. Retrieved from <http://web.archive.org/web/20141010061310/http://waterbottles.com/salute-24-oz-tritan-bottle-flip-straw-lid>.*

(73) Assignee: **IGNITE USA, LLC**, Chicago, IL (US)

(**) Term: **15 Years**

(Continued)

(21) Appl. No.: **29/582,687**

Primary Examiner — Robert M. Spear

(22) Filed: **Oct. 28, 2016**

Assistant Examiner — Kendra Leslie Hamilton

(51) **LOC (11) Cl.** **07-01**

(74) *Attorney, Agent, or Firm* — Marshall, Gerstein & Borun LLP

(52) **U.S. Cl.**

USPC **D7/392.1**

(58) **Field of Classification Search**

USPC D7/391, 392, 392.1, 396.1, 396.2, 397, D7/509, 510, 543, 629; D9/435, 443, D9/447, 449, 516

CPC B65D 2543/0092; B65C 47/122; B65C 47/2037

See application file for complete search history.

(57) **CLAIM**

The ornamental design for a lid for beverage container, as shown and described.

DESCRIPTION

(56) **References Cited**

U.S. PATENT DOCUMENTS

D425,362 S *	5/2000	Meyers	D7/392
D723,328 S *	3/2015	Steel	D7/396.2
D745,827 S *	12/2015	Sorensen	D7/392.1
D752,382 S *	3/2016	Ksiazek	D7/392.1
D752,916 S *	4/2016	Goodwin	D7/392.1
D756,702 S *	5/2016	Joseph	D7/392.1
D763,688 S *	8/2016	Breit	D9/443
D779,872 S *	2/2017	Bergstrom	D7/392.1
D794,386 S *	8/2017	Steel	D7/396.2
2011/0253733 A1 *	10/2011	Meyers	B65D 47/089
				220/833
2014/0014571 A1 *	1/2014	Nelson	C02F 1/002
				210/468
2015/0173539 A1 *	6/2015	Mason	A47G 19/2272
				220/707
2017/0129665 A1 *	5/2017	Rolfes	B65D 51/2821

FIG. 1 is a top front left perspective view of a lid for beverage container, showing my new design;

FIG. 2 is a front view of the lid for beverage container illustrated in FIG. 1;

FIG. 3 is a rear view of the lid for beverage container illustrated in FIG. 1;

FIG. 4 is a right-hand side of the lid for beverage container illustrated in FIG. 1;

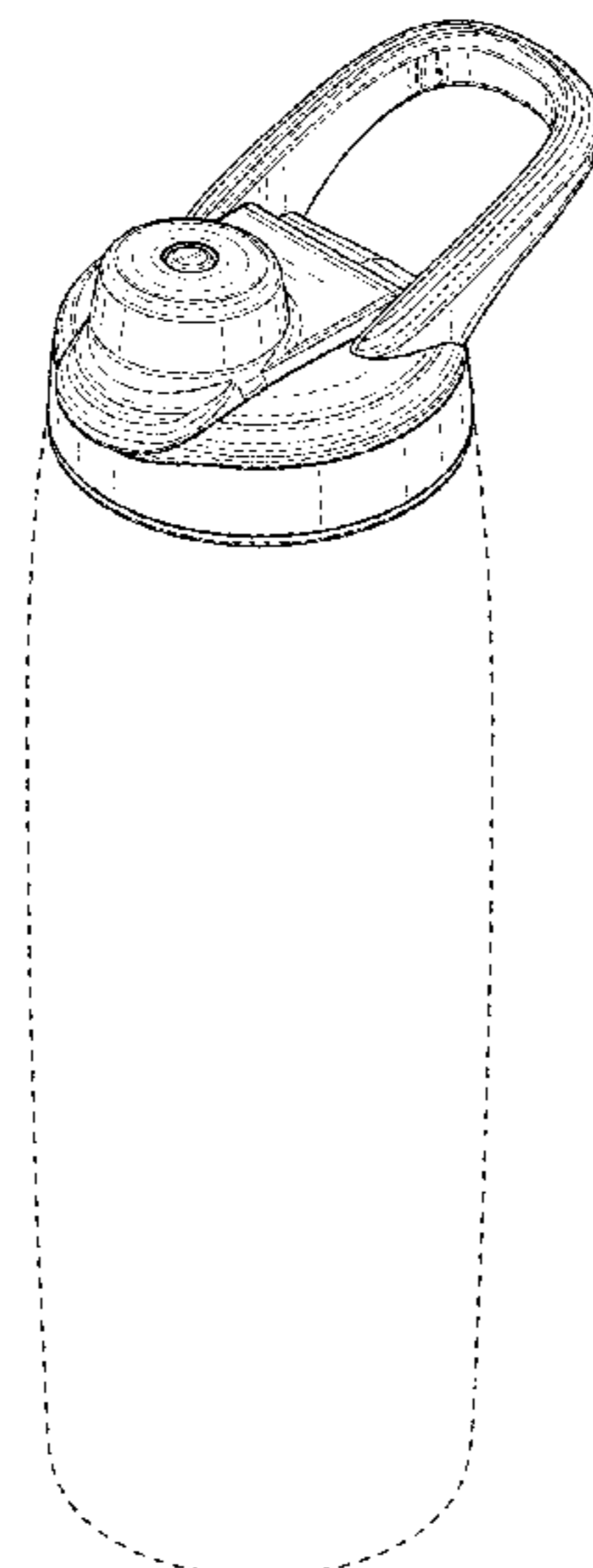
FIG. 5 is left-hand side of the lid for beverage container illustrated in FIG. 1;

FIG. 6 is a top view of the lid for beverage container illustrated in FIG. 1; and,

FIG. 7 is a bottom view of the lid for beverage container illustrated in FIG. 1.

The broken lines in the drawings depict environmental subject matter and form no part of the claimed design.

1 Claim, 7 Drawing Sheets



(56)

References Cited

OTHER PUBLICATIONS

“h2go Surge Aluminum Sport Bottle”. Found online May 24, 2017 at 4imprint.com. Page dated 0/2012. Retrieved from <https://www.4imprint.com/product/115226-M/h2go-Surge-Aluminum-Sport-Bottle-28-oz-Matte>.*

“Lifefactory 22-Ounce BP A-Free Glass Water Bottle with Flip Cap”. Found online Oct. 26, 2016 at amazon.com. Page dated Jan. 21, 2012. Retrieved from https://www.amazon.com/Lifefactory-22-Ounce-BPA-Free-Bottle-Silicone/dp/B01JIHJYOI/ref=pd_day0_79_22?encoding=UTF8&refRID=YW47QZQ73YFSYXXEHXG2.*

Flo Duo Double Wall Insulated Water Bottle—24 oz., downloaded from the Internet at: <http://www.bubbabrands.com/water-bottles/flo-duo-double-wall-insulated-water-bottle---24oz/31.html>.

Capri Water Bottle with Silicone Sleeve—28 oz., downloaded from the Internet at: http://www.bubbabrands.com/water-bottles/capri-water-bottle-with-silicone-sleeve---28-oz/106.html?dwvar_106_color=Blue#q=capri&start=2.

* cited by examiner

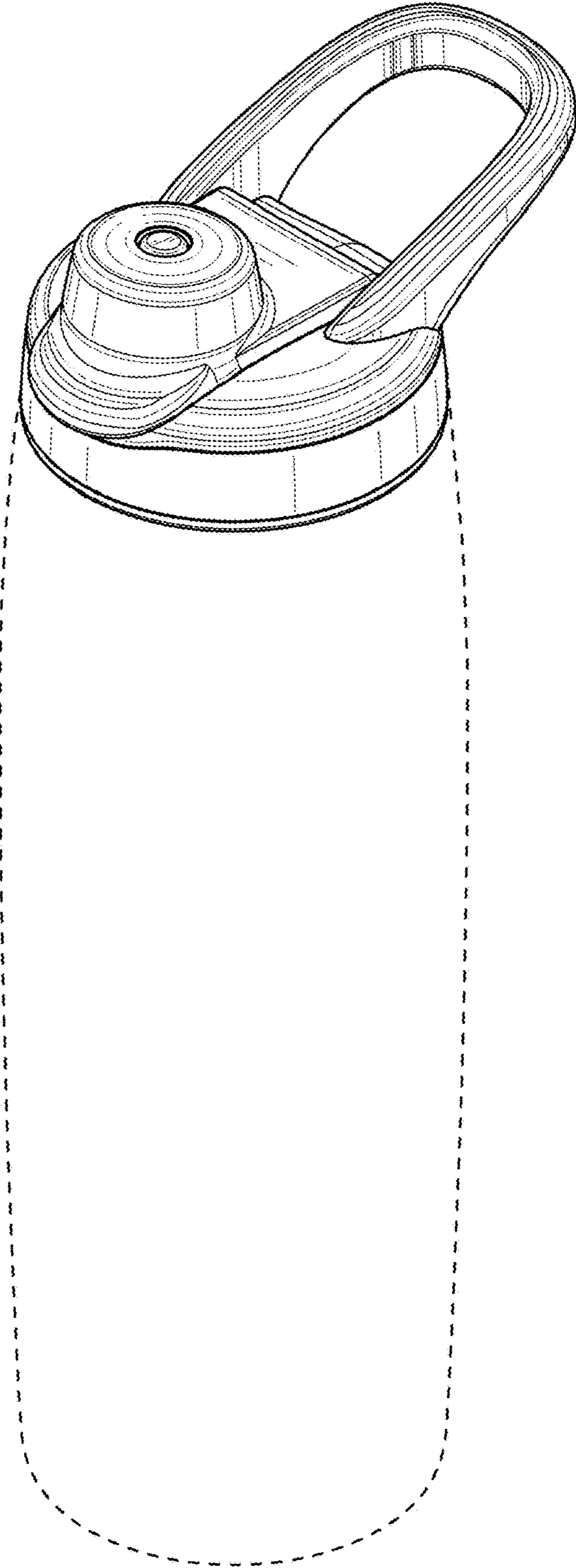


FIG. 1

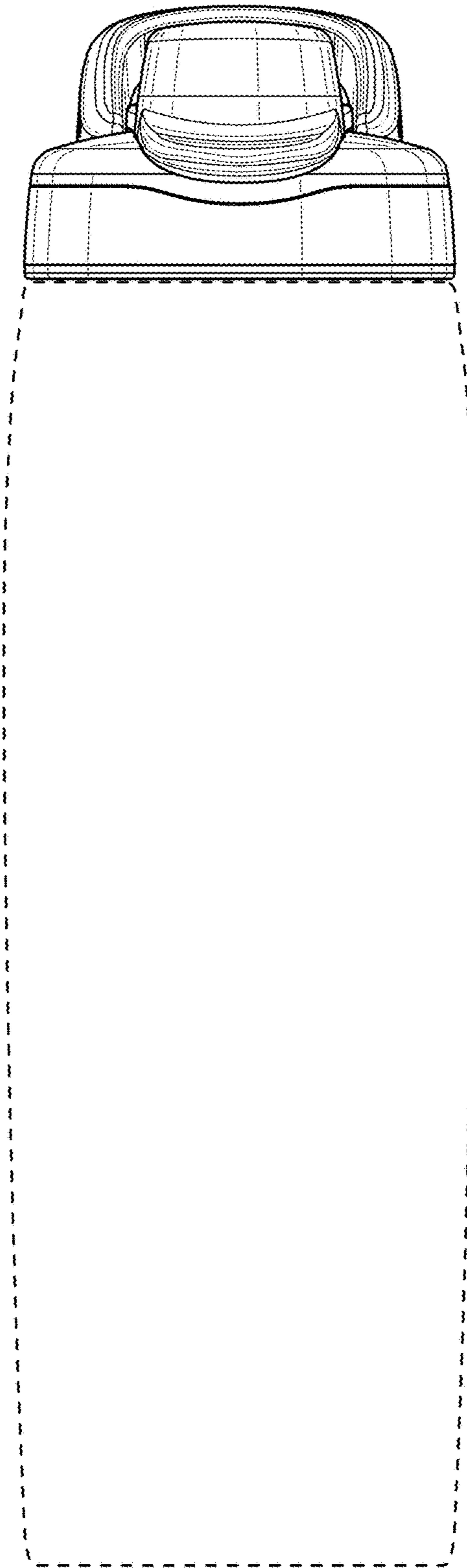


FIG. 2

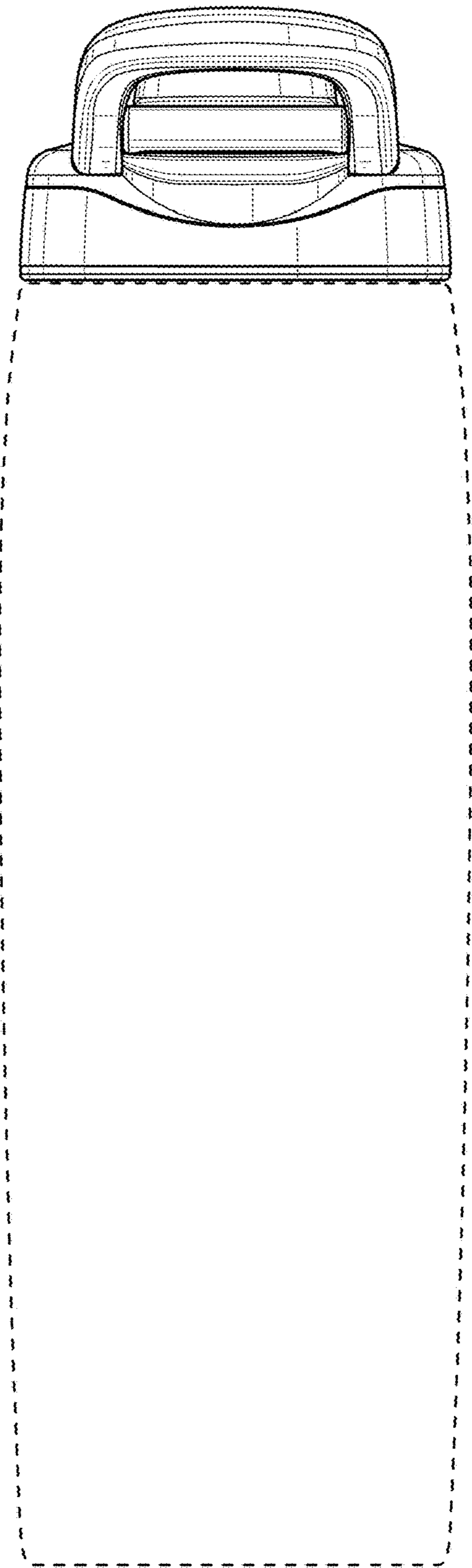


FIG. 3

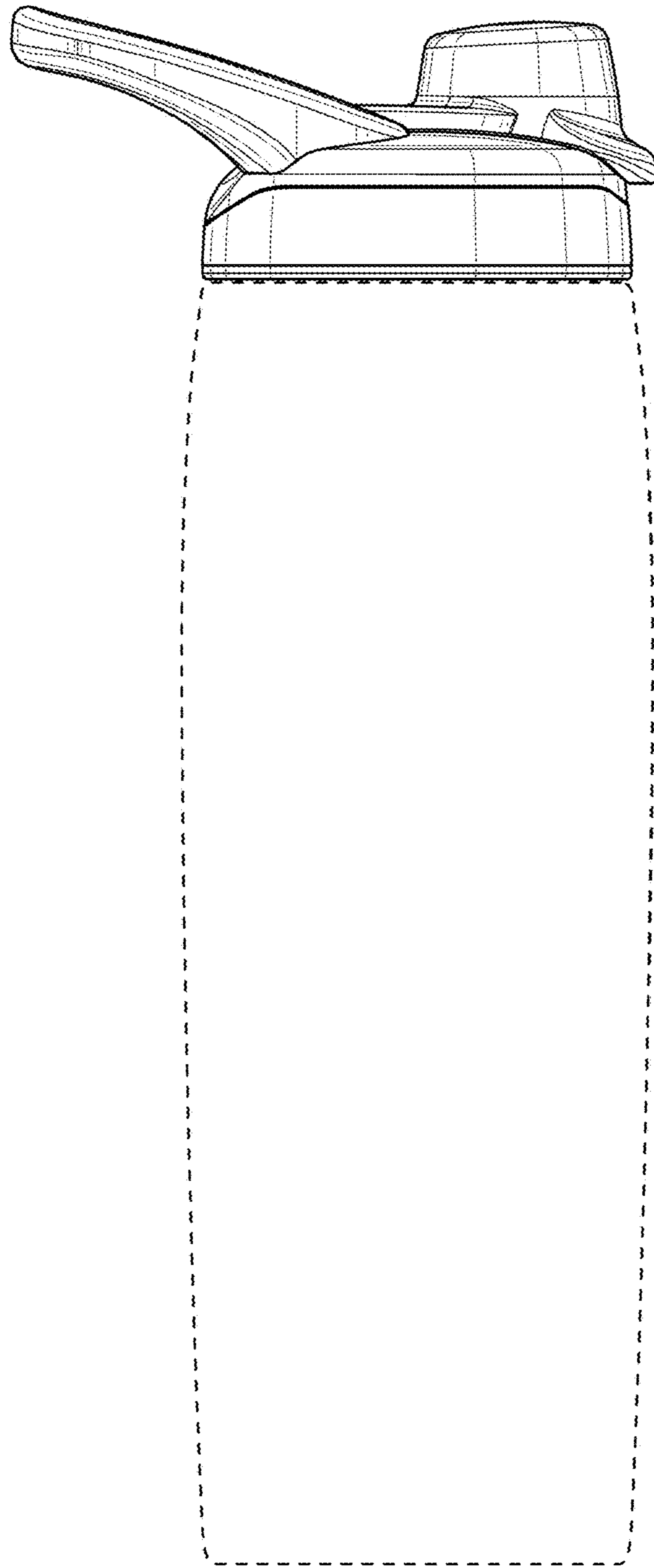


FIG. 4

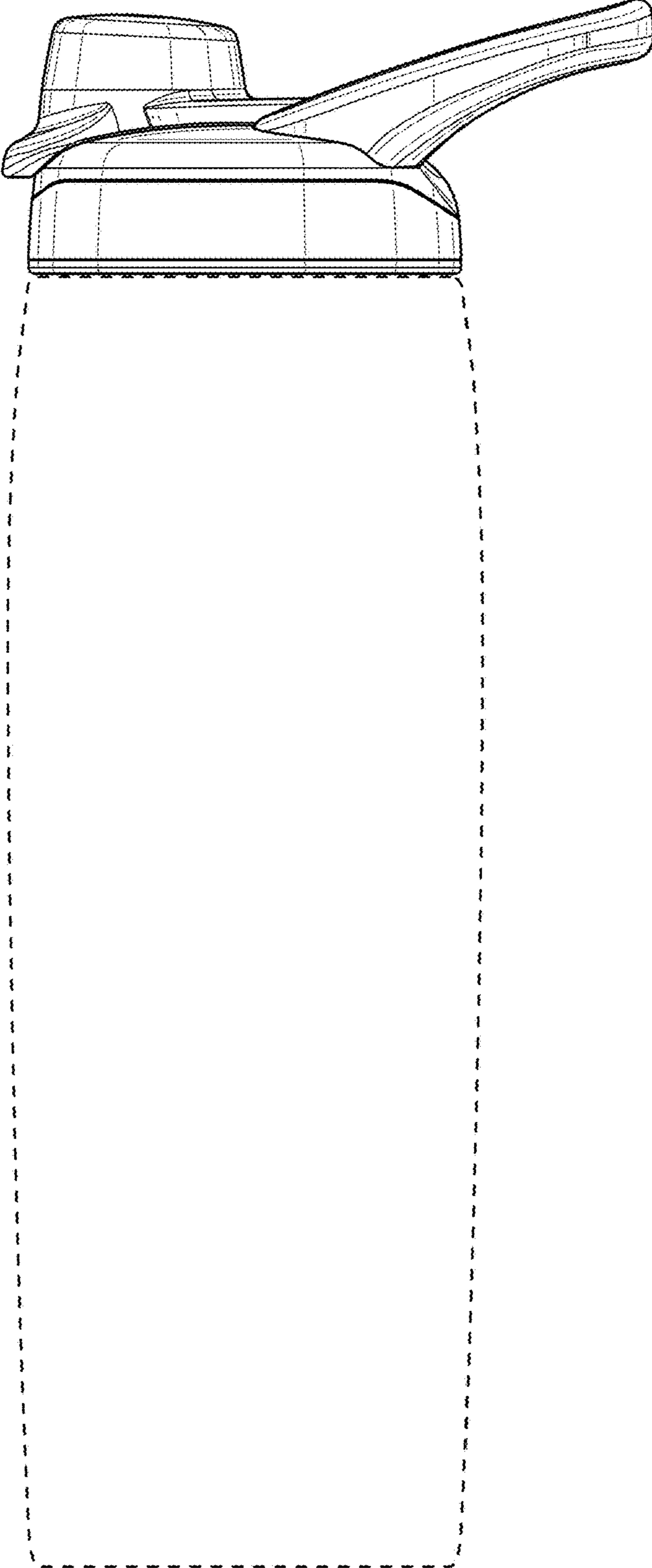


FIG. 5

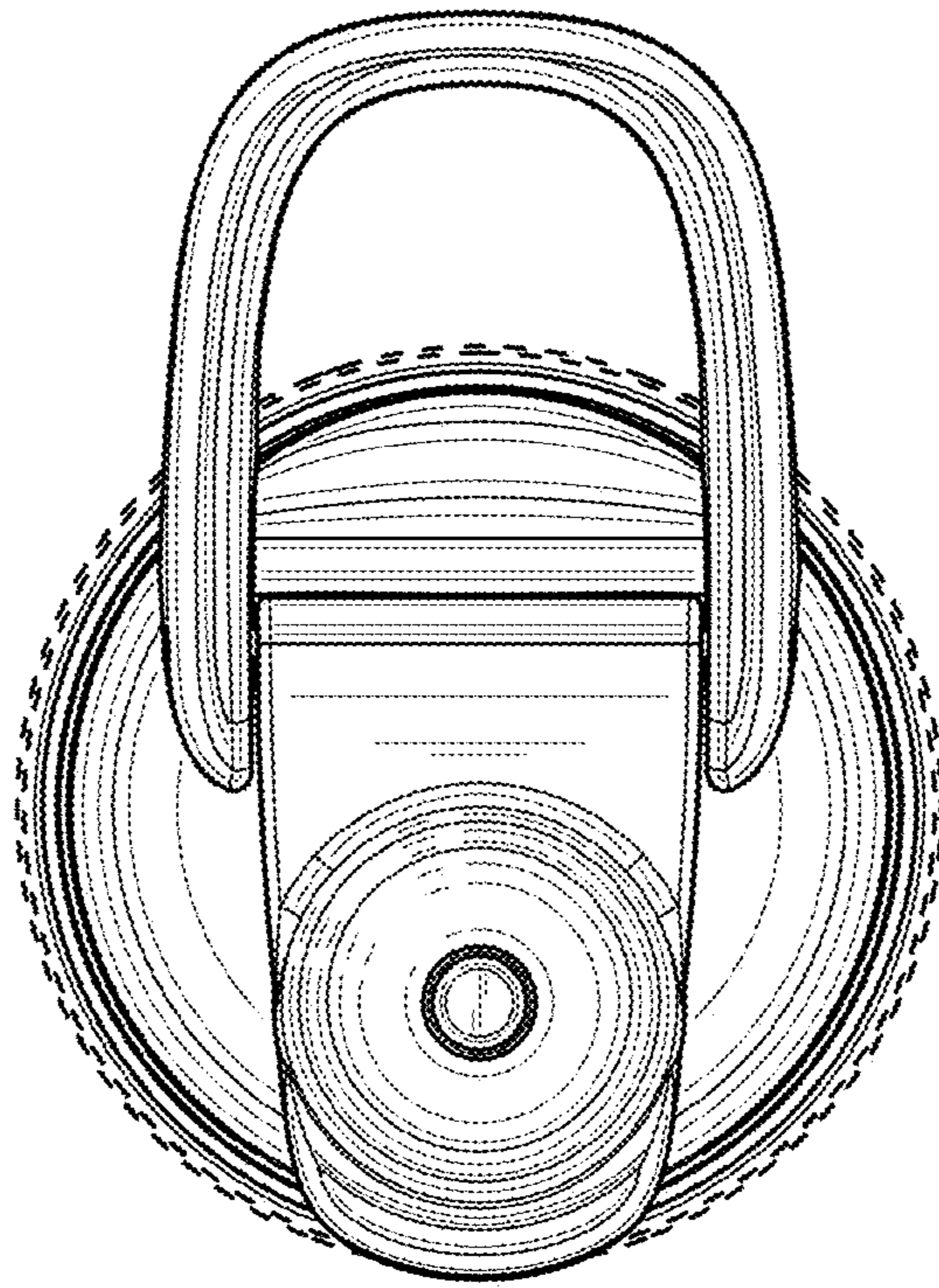


FIG. 6

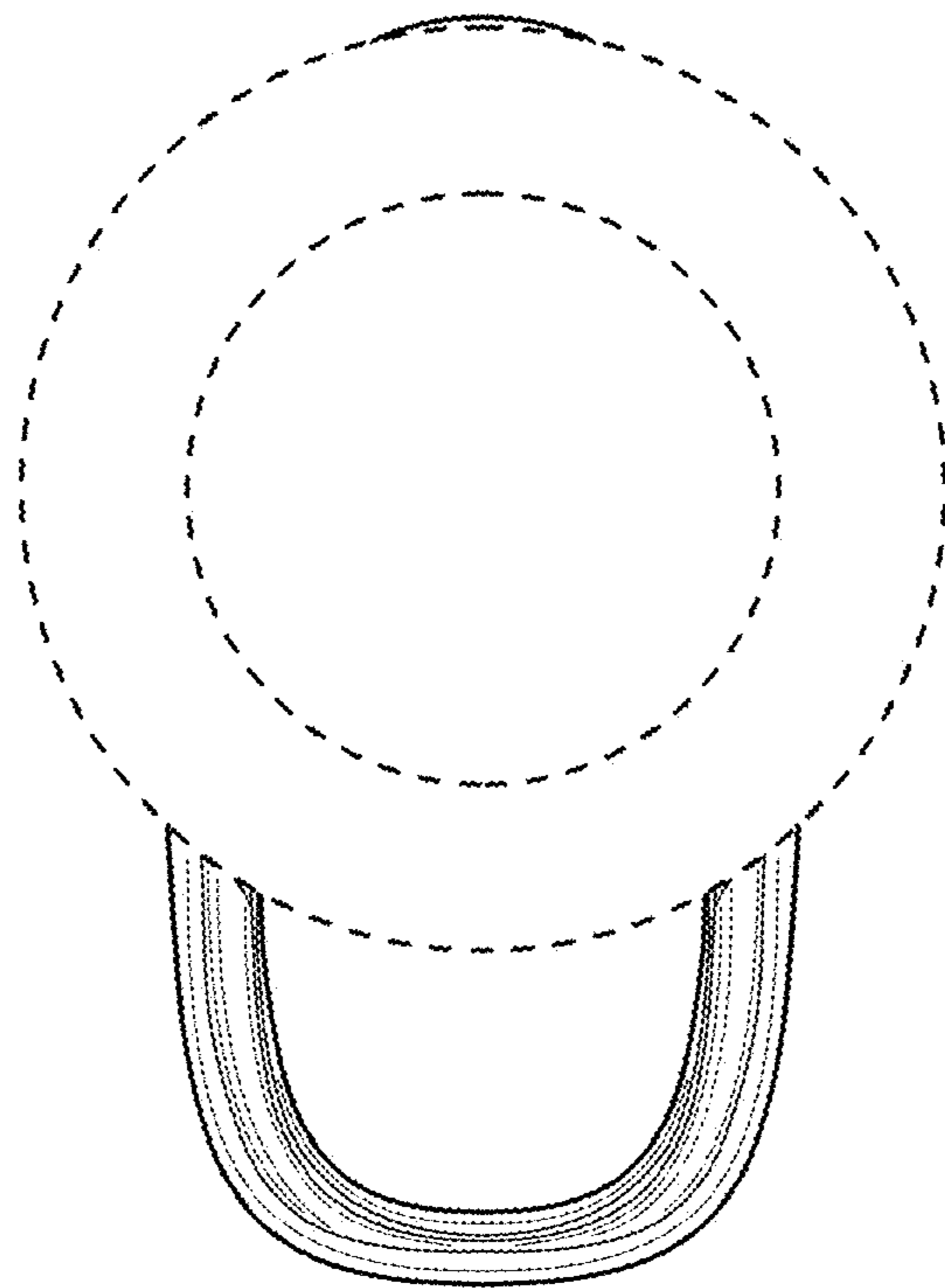


FIG. 7