



US00D817081S

(12) **United States Design Patent**
Verbrugge

(10) **Patent No.:** **US D817,081 S**

(45) **Date of Patent:** **** May 8, 2018**

(54) **HAND BLENDER**

(71) Applicant: **KONINKLIJKE PHILIPS N.V.**,
Eindhoven (NL)

(72) Inventor: **Frank Verbrugge**, Rosmalen (NL)

(73) Assignee: **KONINKLIJKE PHILIPS N.V.**,
Eindhoven (NL)

(**) Term: **15 Years**

(21) Appl. No.: **35/502,310**

(22) Filed: **Jul. 20, 2016**

(80) **Hague Agreement Data**

Int. Filing Date: **Jul. 20, 2016**

Int. Reg. No.: **DM/092099**

Int. Reg. Date: **Jul. 20, 2016**

Int. Reg. Pub. Date: **Jan. 20, 2017**

(51) **LOC (11) Cl.** **31-00**

(52) **U.S. Cl.**
USPC **D7/379**

(58) **Field of Classification Search**
USPC D7/376, 379, 380, 412, 413
CPC A47J 2043/04427; A47J 43/0711; A47J
43/0722; A47J 2043/04409; B01F 13/002;
B01F 15/00538

See application file for complete search history.

(56) **References Cited**

U.S. PATENT DOCUMENTS

D485,729 S *	1/2004	Patton	D7/376
D614,438 S *	4/2010	Fukasawa	D7/376
D623,009 S *	9/2010	Bodum	D7/376
D649,394 S *	11/2011	Grabes	D7/376
D668,099 S *	10/2012	Ferraby	D7/376
D726,496 S *	4/2015	Vu	D7/376
D751,858 S *	3/2016	Zhang	D7/378
D805,345 S *	12/2017	Ho	D7/380

* cited by examiner

Primary Examiner — Michael A. Pratt

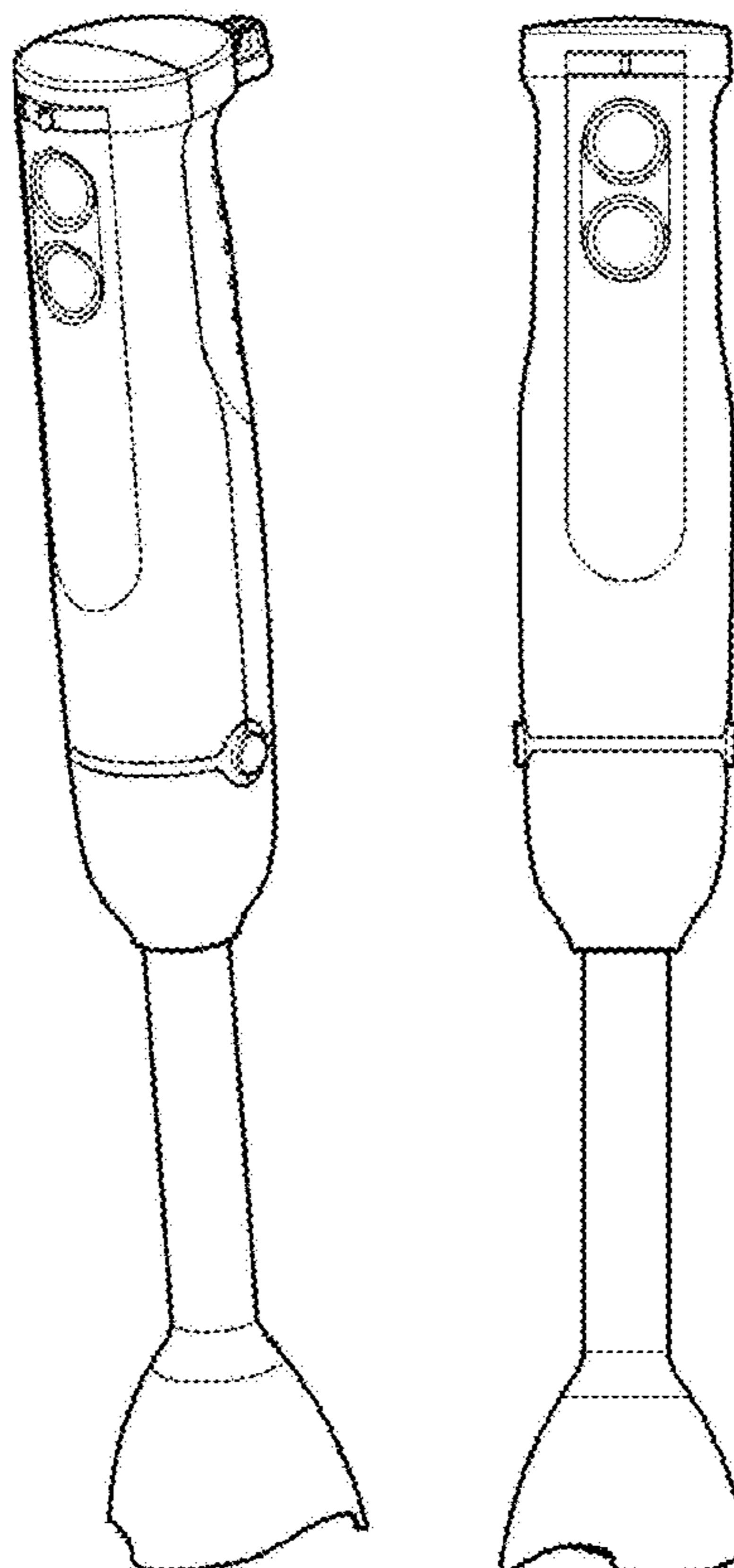
(57) **CLAIM**

The ornamental design for a hand blender, as shown and described.

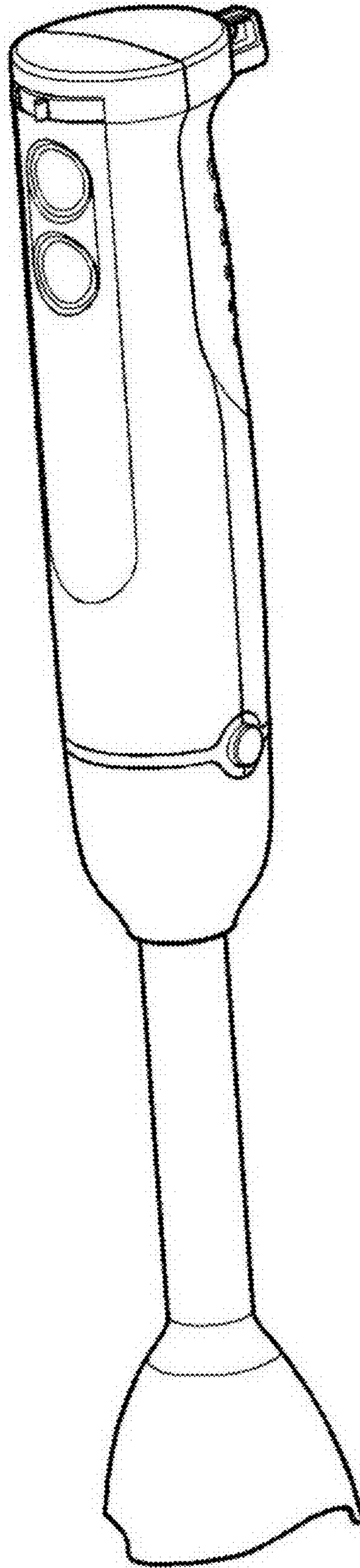
DESCRIPTION

- 1. Hand blender
- 1.1 is a perspective view
- 1.2 is a front view
- 1.3 is a rear view
- 1.4 is a left view
- 1.5 is a right view
- 1.6 is a top view
- 1.7 is a bottom view

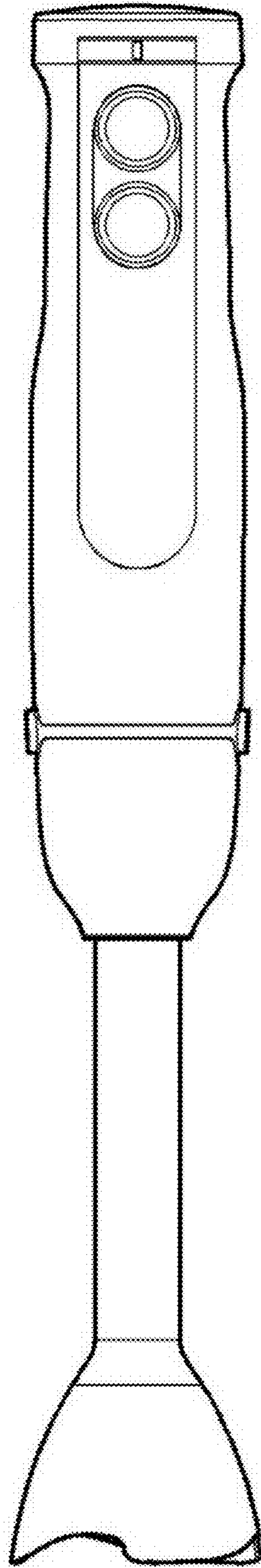
1 Claim, 7 Drawing Sheets



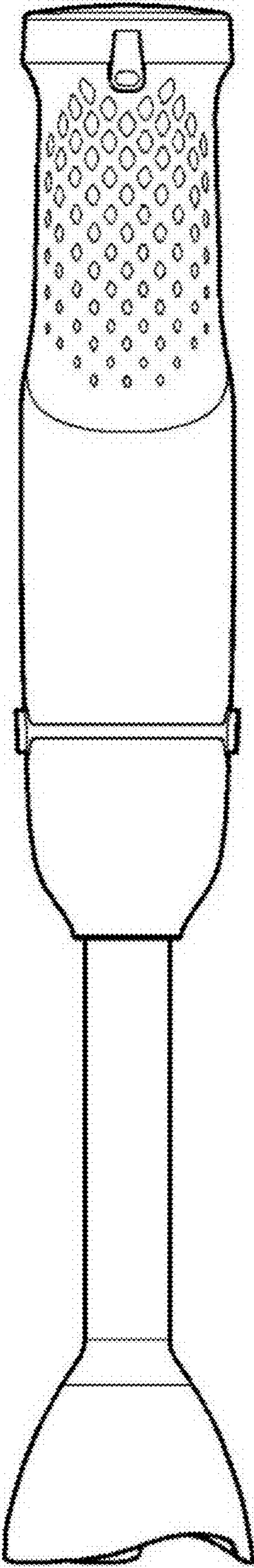
1.1



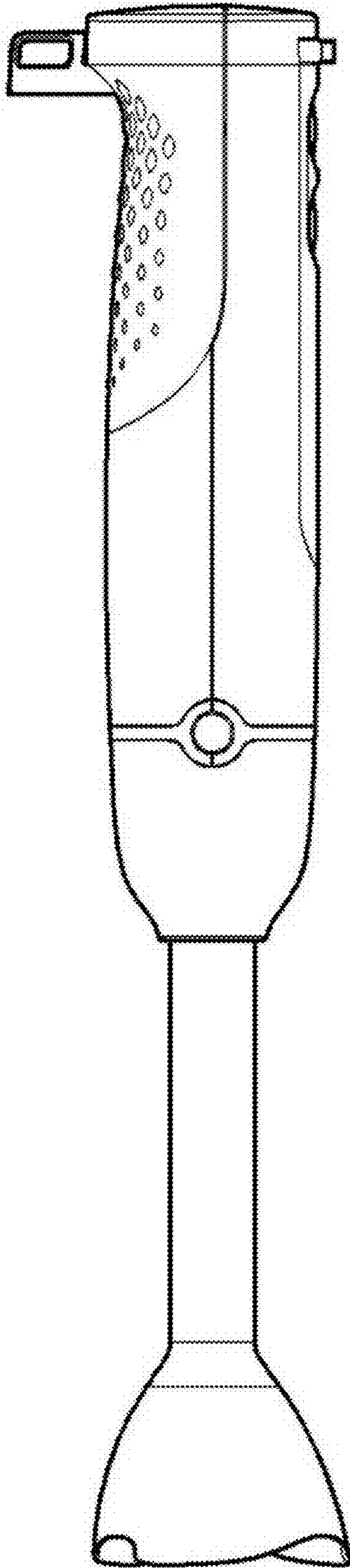
1.2



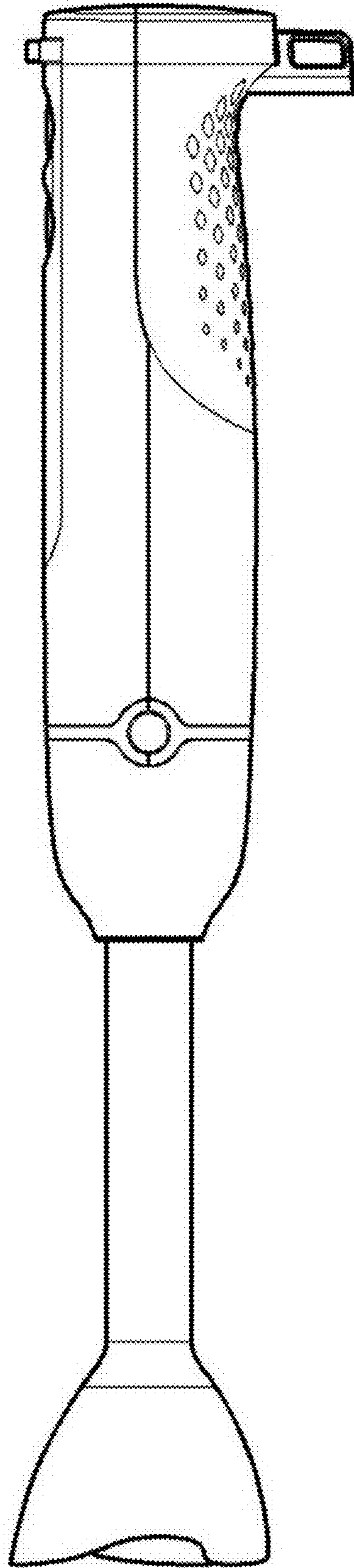
1.3



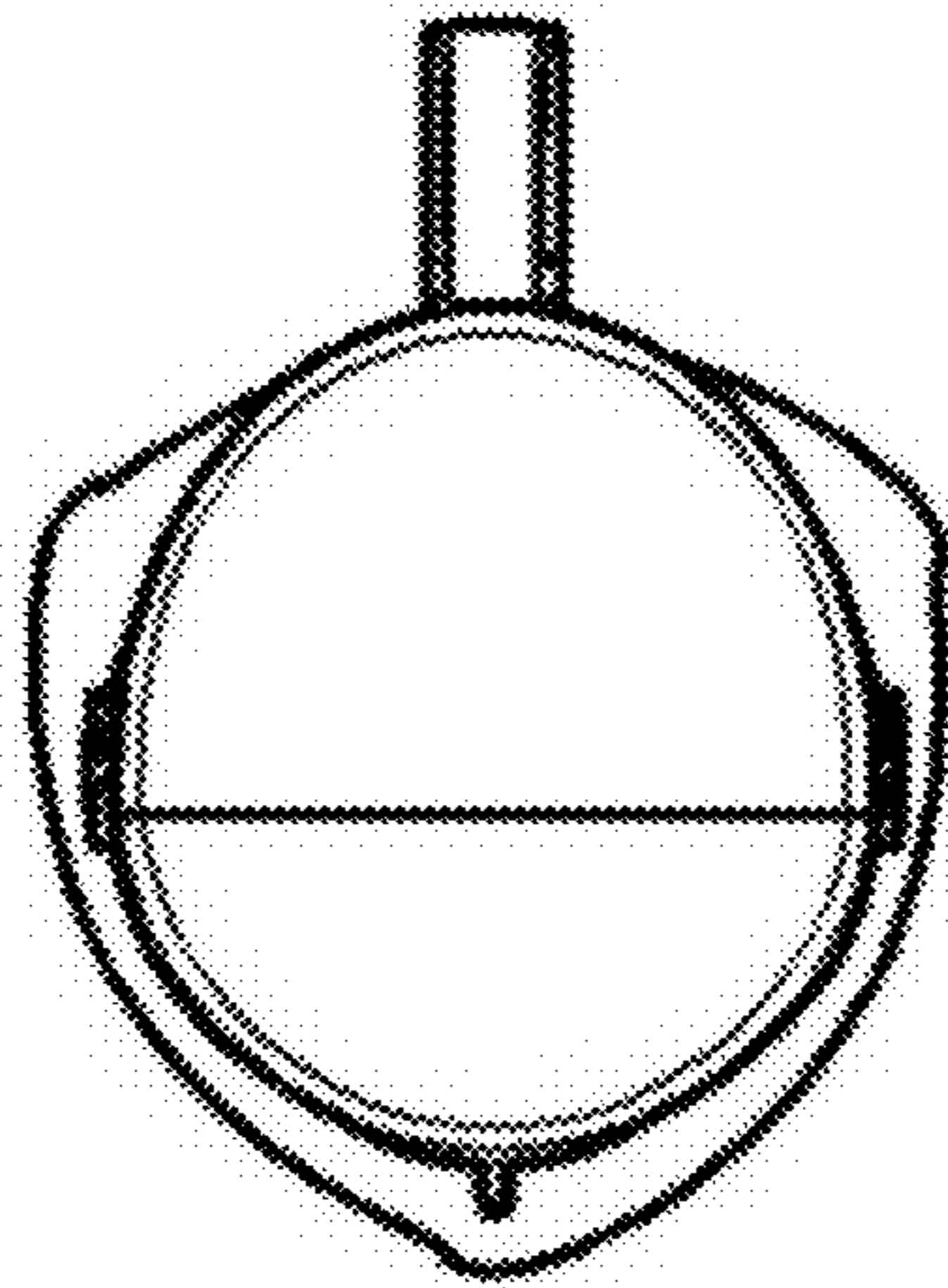
1.4



1.5



1.6



1.7

